

OPERATOR'S MANUAL

Front Engine Lawn Tractor

Record Product Information

Before setting up and operating your new equipment, please locate the model plate on the equipment and record the information in the provided area to the right. You can locate the model plate by lifting up the seat and looking under the seat pan. This information will be necessary, should you seek technical support via our web site or with your local authorized service dealer.

MODEL NUMBER

--	--	--	--	--	--	--	--	--	--	--	--

SERIAL NUMBER

--	--	--	--	--	--	--	--	--	--	--	--

Table of Contents

<i>Important Safe Operation Practices</i>	2	<i>Service and Maintenance</i>	14
<i>Assembly</i>	7	<i>Troubleshooting</i>	20
<i>Operation</i>	10	<i>Parts/Warranty</i>	See Separate Supplement

⚠ WARNING

Read and follow all safety rules and instructions in this manual before attempting to operate this machine. Failure to comply with these instructions may result in personal injury.

⚠ WARNING

California Proposition 65

Engine Exhaust, some of its constituents, and certain vehicle components contain or emit chemicals known to State of California to cause cancer and birth defects or other reproductive harm.


Battery posts, terminals, and related accessories contain lead and lead compounds, chemicals known to the State of California to cause cancer and reproductive harm. Wash hands after handling.

NOTE: This Operator's Manual covers several models. Features may vary by model. Not all features in this manual are applicable to all models and the model depicted may differ from yours.



SAFE OPERATIONS PRACTICES

WARNING

 This symbol points out important safety instructions which, if not followed, could endanger the personal safety and/or property of yourself and others. Read and follow all instructions in this manual before attempting to operate this machine. Failure to comply with these instructions may result in personal injury. When you see this symbol, **HEED ITS WARNING!**

DANGER

This machine was built to be operated according to the safe operation practices in this manual. As with any type of power equipment, carelessness or error on the part of the operator can result in serious injury. This machine is capable of amputating fingers, hands, toes and feet and throwing debris. Failure to observe the following safety instructions could result in serious injury or death.

General Information

1. Read, understand, and follow all instructions on the tractor and in the manual(s) before attempting to assemble and operate. Keep this manual in a safe place for future and regular reference and for ordering replacement parts.
2. Be familiar with all controls and their proper operation. Know how to stop the tractor and disengage them quickly.
3. Never allow children under 14 years of age to operate this tractor. Children 14 and over should read and understand the instructions and safe operation practices in this manual and on the tractor and should be trained and supervised by an adult.
4. Never allow adults to operate this tractor without proper instruction.
5. If situations occur which are not covered in this manual, use care and good judgment. Contact your customer service representative for assistance.
6. According to the U.S. Consumer Products Safety Commission (CPSC) and the U.S. Environmental Protection Agency (EPA), this product has an estimated useful life of seven (7) years, under ordinary use conditions. At the end of its useful life, have the product inspected annually to ensure all mechanical and safety systems are operating properly, safely, and are not worn excessively. Failure to do so may result in accident, injury, or death.

Preparation Before Operating

1. Thoroughly inspect the area where the tractor is to be used. Remove all stones, sticks, wire, bones, toys, and other foreign objects which could be picked up and thrown by the blade(s). Thrown objects can cause serious personal injury.
2. To help avoid blade contact or a thrown object injury, keep helpers at least 75 feet (23 meters) from the tractor while it is in operation. Keep bystanders, children and pets inside during operation. Stop tractor if anyone enters the area.
3. Be aware of the tractor discharge direction and do not point it at anyone.
4. Always wear safety glasses or safety goggles during operation and while performing an adjustment or repair to protect your eyes. Thrown objects which ricochet can cause serious injury to the eyes.
5. Wear sturdy, rough-soled work shoes and close-fitting slacks and shirts. Loose fitting clothes, jewelry and long hair can be caught in moving parts. Never operate this tractor in bare feet or sandals.
6. Never over fill fuel tank. Fill tank to no more than 1/2" (13mm) below bottom of filler neck to allow space for fuel expansion.
7. Replace gasoline cap and tighten securely.
8. Use only accessories and attachments approved for this tractor by the tractor manufacturer. Read, understand and follow all instructions provided with the approved accessory or attachment.

Operating

1. Data indicates that operators, age 65 years and above, are involved in a large percentage of riding tractor-related injuries. These operators should evaluate their ability to operate the riding tractor safely enough to protect themselves and others from serious injury.
2. Disengage the blades and set the parking brake before attempting to start the tractor.
3. Do not put hands or feet near rotating parts or under the cutting deck. Contact with the blade(s) can amputate hands and feet.
4. Watch for holes, ruts, bumps, rocks, or other hidden objects. Uneven terrain could overturn the tractor. Tall grass can hide obstacles.
5. Plan your mowing pattern to avoid discharge of material toward roads, sidewalks, helpers and the like. Avoid discharging material against a wall or obstruction which may cause discharged material to ricochet back toward the operator.
6. Check overhead clearances carefully before driving under low hanging tree branches, wires, door openings etc., where the operator may be struck or pulled from the tractor, which could result in serious injury.
7. Never leave a running tractor unattended. Always turn off blade(s), set the parking brake, stop the engine and remove the key before dismounting.
8. Disengage blade(s), set the parking brake, stop engine and wait until the blade(s) come to a complete stop before removing grass catcher, emptying grass, unclogging chute, removing any grass or debris, or making any adjustments.
9. Your tractor is designed to cut normal residential grass of a height no more than 10" (25cm). Do not attempt to mow through unusually tall, dry grass (e.g. pasture) or piles of dry leaves. Dry grass or leaves may contact the engine exhaust and/or build up on the tractor deck presenting a potential fire hazard.
10. Back up slowly. Always look down and behind before and while backing to avoid a back-over accident.
11. Never carry passengers.
12. Stay at least 10 feet (3 meters) from drop-offs, ditches, embankments or the edge of water. The tractor could suddenly turn over if a wheel is over the edge of a cliff, ditch, or if an edge caves in.
13. A missing or damaged chute deflector can cause blade contact or thrown object injuries.
14. Do not operate the tractor without the chute deflector or entire grass catcher in its proper place.
15. Use extra care with grass catchers or other attachments. These can change the stability of the tractor. Always follow the attachment manufacturer's instructions.
16. Stop the blades when crossing gravel drives, walks, or roads and while not cutting grass.

SAFE OPERATIONS PRACTICES

17. Watch for traffic when operating near or crossing roadways. This tractor is not intended for use on any public roadway.
18. Mow only in daylight or good artificial light.
19. Do not operate the tractor while under the influence of alcohol or drugs.
20. Slow down before turning. Operate the tractor smoothly. Avoid erratic operation and excessive speed.
21. The muffler and engine become very hot and can cause serious burn injuries. Do not touch. Allow the tractor to cool for five minutes before attempting any service.
22. Never run an engine indoors or in a poorly ventilated area. Engine exhaust contains carbon monoxide, an odorless, and deadly gas.

Children

1. Tragic accidents can occur if the operator is not alert to the presence of children. Children are often attracted to the tractor and the mowing activity. They do not understand the dangers. Never assume that children will remain where you last saw them.
2. Keep bystanders, children and pets inside during operation under the watchful care of a responsible adult other than the operator. Stop tractor if anyone enters the area.
3. Never carry children, even with the blades shut off. They may fall off and be seriously injured or interfere with safe tractor operation. Children who have been given rides in the past could suddenly appear in the mowing area for another ride and be run over or backed over by the tractor.
4. Be alert and turn tractor off if a child or bystander enters the area.
5. To avoid back-over accidents, always look behind and down for small children.
6. Use extreme care when approaching blind corners, doorways, shrubs, trees or other objects that may block your vision of a child who may run into the path of the tractor.
7. Never allow children under 14 years of age to operate this tractor. Children 14 and over should read and understand the instructions and safe operation practices in this manual and on the tractor and should be trained and supervised by an adult.
8. Do not allow any child to joy ride on the tractor. The tractor is not a toy or a go-cart. Warn your children that the tractor can be dangerous and they must stay away from it at all times.
9. Keep children away from hot or running engines. They can suffer burns from a hot muffler.
10. Remove key when tractor is unattended to prevent unauthorized operation. Make certain the key is inaccessible to small children.

Slope Operation

1. Slopes are a major factor related to loss of control and tip-over accidents which can result in severe injury or death. All slopes require extra caution. If you cannot back up the slope or if you feel uneasy on it, do not mow it.
2. For your safety, measure any slope before using the tractor on the sloped area. Use a slope measuring device in addition to the slope gauge included as part of this manual to measure slopes before operating this tractor on a sloped or hilly area. Smart phone applications can be also utilized to measure slopes. If the slope is greater than 15 degrees (25%) as shown on the slope gauge or a slope measuring device, do not operate this tractor on that area or serious injury could result.
3. Do not mow on slopes greater than 15 degrees (25%).
4. Do not mow across slopes, only mow up and down slopes that are less than 15 degrees (25%). Use low speeds and avoid sudden turns.

5. Do not mow on wet grass. Reduced traction could cause sliding or a loss of control.
6. Do not operate tractor under any conditions where traction, steering or stability is in question. Tires could slide even if the wheels are stopped.
7. Avoid starting and stopping on slopes. Avoid making sudden changes in speed or direction. Make turns slowly and gradually.
8. Use extra care while operating tractor with grass catcher or other attachment(s). They can affect the stability of the tractor. Do not use grass catcher on slopes greater than 10 degrees (17%).
9. Do not try to stabilize the tractor by putting your foot on the ground.
10. Keep all movement on slopes slow and gradual. Do not make sudden changes in speed or direction. Rapid acceleration could cause the front of the tractor to lift and rapidly roll over backwards, which could cause serious injury or death.

Fire & Fuel

1. To avoid personal injury or property damage use extreme care in handling gasoline. Gasoline is extremely flammable and the vapors are explosive. Serious personal injury can occur when gasoline is spilled on yourself or your clothes which can ignite. Wash your skin and change clothes immediately.
2. Extinguish all cigarettes, cigars, pipes and other sources of ignition.
3. Use only an approved gasoline container.
4. Never remove gas cap or add fuel while the engine is hot or running. Allow engine to cool at least five minutes before refueling.
5. Never fuel tractor indoors.
6. Never store the tractor or fuel container inside where there is an open flame, spark or pilot light as on a water heater, space heater, furnace, clothes dryer or other gas appliances.
7. If gasoline is spilled, wipe it off the engine and equipment. Clean up oil or fuel spillage and remove any fuel soaked debris. Move tractor to another area. Wait 5 minutes before starting the engine.
8. To reduce fire hazards, keep tractor free of grass, leaves, or other debris build-up. Follow the cleaning instructions in the Service & Maintenance section.
9. Your tractor is designed to cut normal residential grass of a height no more than 10" (25cm). Do not attempt to mow through unusually tall, dry grass (e.g., pasture) or piles of dry leaves. Dry grass or leaves may contact the engine exhaust and/or build up on the tractor deck presenting a potential fire hazard.
10. Never over fill fuel tank. Fill tank to no more than 1/2" below bottom of filler neck to allow space for fuel expansion.
11. Replace gasoline cap and tighten securely. Do not operate without fuel cap in place.
12. Allow a tractor to cool at least five minutes before fueling or storing.
13. Never fill containers inside a vehicle or on a truck or trailer bed with a plastic liner. Always place containers on the ground away from your vehicle before filling.
14. When practical, remove gas-powered equipment from the truck or trailer and refuel it on the ground. If this is not possible, then refuel such equipment on a trailer with a portable container, rather than from a gasoline dispenser nozzle.
15. Keep the nozzle in contact with the rim of the fuel tank or container opening at all times until fueling is complete. Do not use a nozzle lock-open device.

SAFE OPERATIONS PRACTICES

Hauling

1. Use properly secured full width ramps for loading and unloading a tractor for transport.
2. Use extra care when loading or unloading the tractor into a trailer or truck. This tractor should not be driven up or down ramp(s), because the tractor could tip over, causing serious personal injury. The tractor must be pushed manually on ramp(s) to load or unload properly.
3. Raise the deck to the highest position for loading clearance.

Towing with your Tractor

1. Do not tow a load that exceeds 250 lbs (113 kg) rolling weight and never exceed 50 lbs (22 kg) tongue weight.
2. Do not attach towed equipment except at the hitch point of the tractor.
3. Never allow children or others in or on towed equipment.
4. Do not tow on slopes greater than 5 degrees (9%). On slopes, the weight of the towed equipment may cause loss of traction and loss of control and/or the ability to stop.
5. Always use extra caution when towing with a tractor capable of making tight turns (e.g. tight-turn tractor). Make wide turns to avoid jack-knifing.
6. Travel slowly and allow extra distance to stop.

Service

1. Keep machine in good working order. Do not use the tractor until worn or damaged parts are replaced.
2. To avoid serious injury or death, do not modify engine in any way. Tampering with the governor setting can lead to a runaway engine and cause it to operate at unsafe speeds. Never tamper with factory setting of engine governor. Do not change the engine governor settings or over-speed the engine. The governor controls the maximum safe operating speed of the engine.
3. Tractor blades are sharp. Wrap the blade or wear gloves, and use extra caution when servicing them.
4. Tractors with hydraulic pumps, hoses or motors; and/or diesel injections systems have fluid systems under pressure. Fluid escaping under pressure may have sufficient force to penetrate skin and cause serious injury. If fluid is injected into the skin, seek immediate medical attention. Keep body and hands away from pin holes or nozzles that eject fluid under high pressure. If a leak occurs, have the tractor immediately serviced by an authorized dealer.
5. Before cleaning, repairing, or inspecting, make certain the blade(s) and all moving parts have stopped. Turn off the engine, remove the key, and disconnect the spark plug wire(s) and ground against the engine to prevent unintended starting.
6. Check to make sure the blades come to complete stop in not more than (5) five seconds after disengaging the blade disengagement control per the schedule shown on the Maintenance Schedule chart in the Service and Maintenance section of this manual. Measure the stopping time with a stop watch. If the blades do not stop completely in less than five seconds, your tractor should be serviced professionally by an authorized dealer.
7. Check the safety interlock system for proper function per the schedule shown on the Maintenance Schedule chart in the Service and Maintenance section of this manual. If the safety interlock system does not function properly, have your tractor serviced professionally by an authorized dealer.
8. Never tamper with the safety interlock system or other safety devices. Check their proper operation regularly.

9. Check the blade(s) and engine mounting bolt torque in accordance to Maintenance Schedule chart in this manual. Also, visually inspect blade(s) for damage (e.g., excessive wear, bent, cracked). Replace the blade(s) with the original equipment manufacturer's (O.E.M.) blade(s) only.
10. Use of service parts which do not meet the original equipment specifications may lead to improper performance and compromise safety.
11. Keep all nuts, bolts, and screws tight to be sure the equipment is in safe working condition. Review the Maintenance Schedule chart in this manual for service interval information.
12. After striking a foreign object, stop the engine, disconnect the spark plug wire(s) and ground against the engine. Thoroughly inspect the tractor for any damage. Repair the damage before starting and operating.
13. Never attempt to make adjustments or repairs to the tractor while the engine is running.
14. Grass catcher components and the chute deflector are subject to wear and damage which could expose moving parts or allow objects to be thrown. Frequently check components and replace immediately with original equipment manufacturer's (O.E.M.) parts only.
15. Maintain or replace safety and instruction labels, as necessary.
16. Observe proper disposal laws and regulations for gas, oil, etc. to protect the environment.

Notice Regarding Emissions

Engines which are certified to comply with California and federal EPA emission regulations for SORE (Small Off Road Equipment) are certified to operate on regular unleaded gasoline, and may include the following emission control systems: Engine Modification (EM) and Three Way Catalyst (TWC) if so equipped.

When required, models are equipped with low permeation fuel lines and fuel tanks for evaporative emission control. California models may also include a carbon canister. Please contact Customer Support for information regarding the evaporative emission control configuration for your model.

Spark Arrestor

WARNING

This tractor is equipped with an internal combustion engine and should not be used on or near any unimproved forest-covered, brush-covered or grass-covered land unless the engine's exhaust system is equipped with a spark arrestor meeting applicable local or state laws (if any).




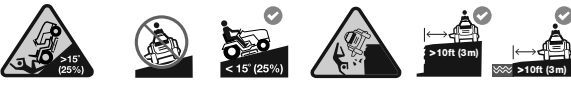


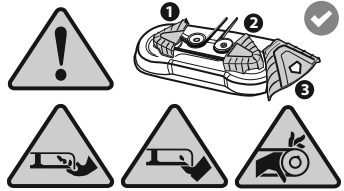
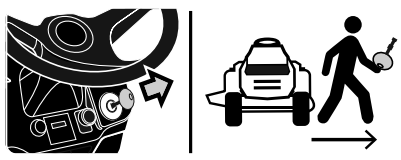

If a spark arrestor is used, it should be maintained in effective working order by the operator. In the State of California the above is required by law (Section 4442 of the California Public Resources Code). Other states may have similar laws. Federal laws apply on federal lands.

A spark arrestor for the muffler is available through your nearest engine authorized service dealer or contact the service department, P.O. Box 361131 Cleveland, Ohio 44136-0019.

SAFE OPERATIONS PRACTICES

Safety Symbols

This page depicts and describes safety symbols that MAY APPEAR on this product.

Symbol	Description
 <p>OPESymbol.com</p>	<p>WARNING – READ OPERATOR’S MANUAL Read, understand and follow all the safety rules and instructions in the manual(s) and on the tractor before attempting to operate this tractor. Failure to comply with this information may result in personal injury or death. Keep this manual in a safe location for future and regular reference. Using a Smart Phone, scan the QR code symbol to learn more information concerning the warnings contained on this tractor. You can also go to www.OPESymbol.com for more information.</p>
	<p>WARNING – AVOID THROWN OBJECTS INJURY Keep helpers at least 75’ (23 meters) from machine during operation. Remove all stones, sticks, wire, bones, toys, and other foreign objects which could be picked up and thrown by the blade(s). Do not operate the tractor without the discharge cover or entire grass catcher in its proper place.</p>
	<p>WARNING – AVOID CHILD BACKOVER/RUNOVER/BLADE INJURY To avoid back-over accidents, always look behind and down for small children. Never carry children, even with the blade(s) shut off. Keep bystanders, children and pets inside during operation under the watchful care of a responsible adult other than the operator. Stop tractor if anyone enters the area.</p>
	<p>WARNING – AVOID TIP-OVER/ROLL-OVER INJURY Do not operate machine on a slope greater than 15° (25%). Do not mow across slopes, only mow up and down slopes that are less than 15 degrees (25%). Use low speeds and avoid sudden turns on slopes. Stay at least 10 feet (3 meters) from drop-offs, ditches, embankments or the edge of water.</p>
	<p>WARNING – AVOID FIRES Your tractor is designed to cut normal residential grass of a height no more than 10” (25cm). Do not attempt to mow through unusually tall, dry grass (e.g., pasture) or piles of dry leaves. Allow a tractor to cool at least five minutes before fueling or storing inside an enclosed garage or storage shed.</p>
	<p>WARNING – AVOID AMPUTATION INJURY Do not put hands or feet near or under the cutting deck. Contact with the blade(s) can amputate hands and feet.</p>
	<p>WARNING – AVOID AMPUTATION INJURY Do not put hands or feet near rotating parts or under the cutting deck. Contact with the blade(s) can amputate hands and feet. Ensure that all safety devices (guards, shields, switches, etc.) are in place and working. Belt and/or blade spindle contact can crush or injure body parts.</p>
	<p>WARNING – REMOVE KEY Always turn off blade(s), move the drive control levers outward into park position, stop engine and remove key before dismounting. If you are leaving the tractor unattended, always remove the key to prevent unauthorized use by children or others.</p>
	<p>WARNING – AVOID TOWING RELATED INJURY Do not tow a load that exceeds 250 lbs (113 kg) rolling weight and never exceed 50 lbs (22 kg) tongue weight. Never allow children or others in or on towed equipment. Do not tow on slopes greater than 5 degrees (9%). On slopes, the weight of the towed equipment may cause loss of traction, loss of control and/or loss of the ability to stop. Travel slowly and allow extra distance to stop.</p>

▲ WARNING

Your Responsibility — Restrict the use of this power machine to persons who read, understand and follow the warnings and instructions in this manual and on the machine.

SAVE THESE INSTRUCTIONS!

Slope Gauge

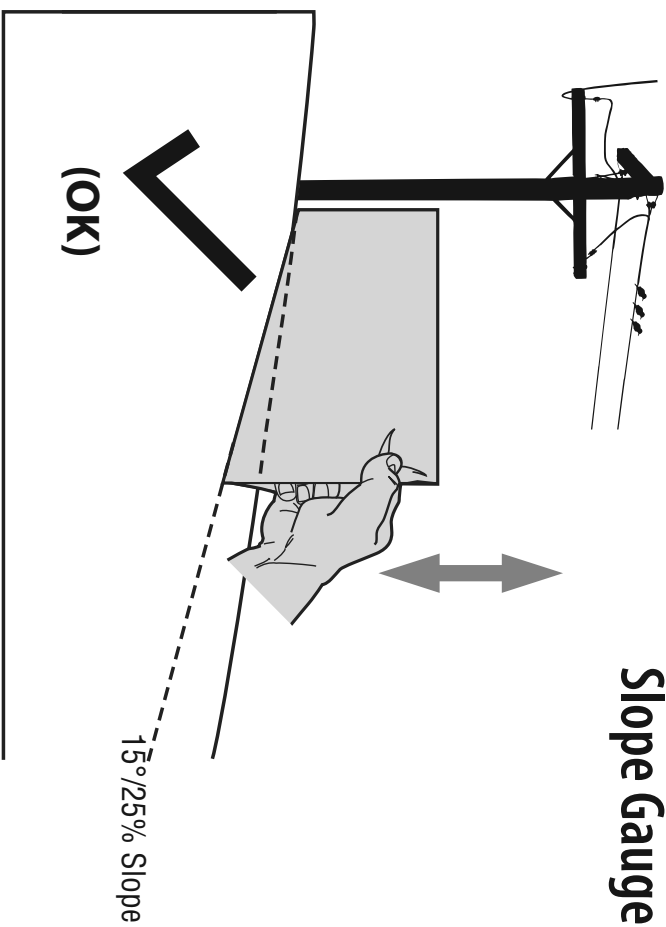


Figure 1

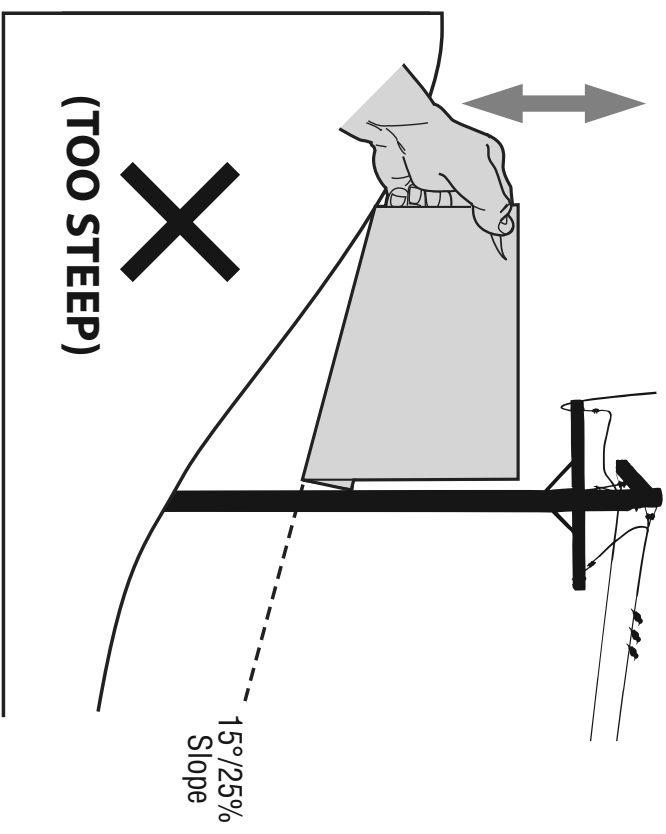


Figure 2

USE THIS SLOPE GAUGE TO DETERMINE IF A SLOPE IS TOO STEEP FOR SAFE OPERATION!

To check the slope, proceed as follows:

1. Remove this page and fold along the dashed line.
2. Locate a vertical object on or behind the slope (e.g. a pole, building, fence, tree, etc.)
3. Align either side of the slope gauge with the object (See Figure 1 and Figure 2).
4. Adjust gauge up or down until the left corner touches the slope (See Figure 1 and Figure 2).
5. If there is a gap below the gauge, the slope is too steep for safe operation (See Figure 2 above).

15°/25% dashed line

15°/25%
Slope



WARNING! Slopes are a major factor related to tip-over and roll-over accidents which can result in severe injury or death. Do not operate machine on slopes in excess of 15 degrees. All slopes require extra caution. If you cannot back up the slope or if you feel uneasy on it, do not mow it.

ASSEMBLY

NOTE: This Operator's Manual covers several models. Features may vary by model. Not all features in this manual are applicable to all models and the model depicted may differ from yours.

NOTE: All references in this manual to the left or right side and front or back of the tractor are from the operating position only. Exceptions, if any, will be specified.

Refer to Figure 1 to match your transmission style; Foot Control CVT (Continuously Variable Transmission) or CVT, or Hydrostatic.

Foot Control CVT

CVT

Hydrostatic

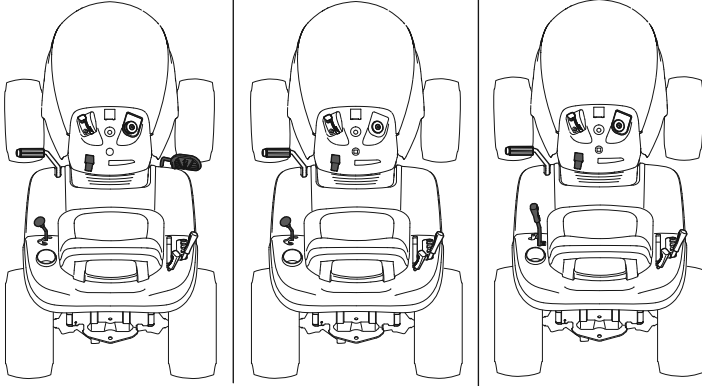


Figure 1

Manually Moving the Tractor

Hydrostatic Models (If Equipped)

1. Remove parking brake if activated.
2. Engage the transmission bypass rod to move the tractor manually without starting it. The transmission bypass rod is located on the rear of the tractor, on the frame. Engage the bypass rod by pulling out and down. See Figure 2.

NOTE: If the tractor will not move or does not move freely when pushing check if the hydrostatic bypass rod is fully open or the brake is engaged.

NOTE: The transmission will NOT engage when the hydrostatic bypass rod is pulled out. Return the rod to its disengaged position prior to operating the tractor.

3. Disengage the transmission bypass rod by pushing the rod back in after moving the tractor.

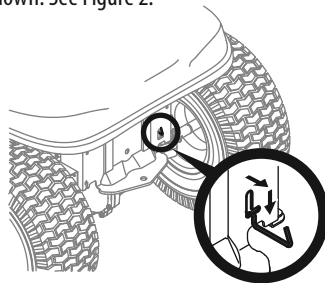


Figure 2

CVT or Foot Control CVT Models (If Equipped)

1. Remove Parking Brake, if activated
2. Place the shift lever in the NEUTRAL (N) position.

Install Operator's Seat (If necessary)

Knob Adjust or Bolt Adjust

NOTE: The seat is shipped fastened to the tractor seat's pivot bracket with a cable tie OR mounted backward to the pivot bracket. To install the seat proceed as follows:

1. Remove the seat from its shipping position.
2. Remove the seat adjustment knob or 9/16" bolt (a) from the bottom of the seat (b). See Figure 3.
3. Align the seat (b) over the seat pivot bracket (c) as shown in Figure 3 and fit the seat (b) onto the seat pivot bracket (c) inserting the two tabs on the seat (b) bottom into the wide opening of the slots on the seat pivot bracket (c).

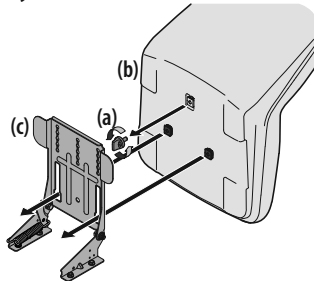


Figure 3

4. Slide the seat (b) rearward in the seat pivot bracket (c), lining up one of the slots in the seat pivot bracket (c) with the hole in the center rear of the seat (b) base. See Figure 4.

NOTE: Be certain the two seat tabs engage the seat pivot bracket as shown in the bottom right inset of Figure 4.

5. Select the desired position for the seat (b), and secure with the adjustment knob or 9/16" bolt (a) removed in Step 2.

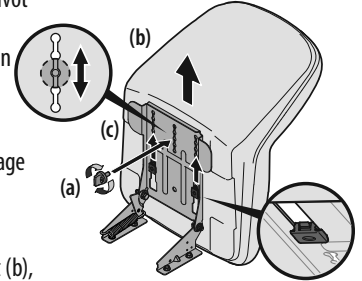


Figure 4

Lever Adjust

NOTE: The seat is shipped with the seat switch and seat pan attached.

1. Cut any straps securing the seat assembly to the tractor. Remove any packing material.

NOTE: Be careful not to cut the wiring harness connecting the seat and the seat switch.

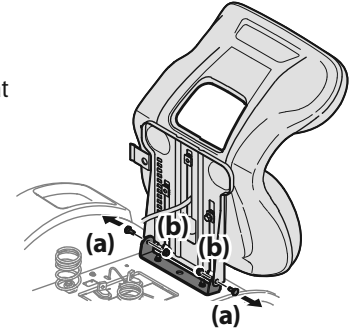


Figure 5

2. Remove the two shoulder bolts (a) and flange lock nuts (b) in the seat pan as shown in Figure 5.

3. Rotate the seat into position and slide a Phillips screwdriver through one of the seat-securing holes and seat bracket for alignment.

4. With the previously removed shoulder bolts (a) and flange lock nuts (b) secure one side of the seat and seat bracket. While supporting the seat, remove the Phillips screwdriver and secure the other side of the seat. Be careful not to crimp or damage the wire harness while installing the seat. See Figure 6. Torque to 84-103 in-lbs (9.5-11.6 N-m).

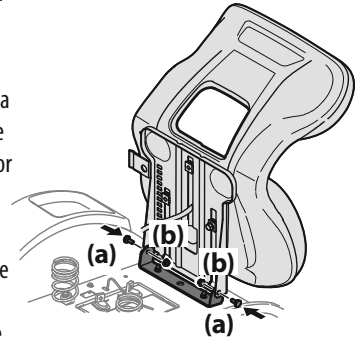


Figure 6

5. Using the harness clip attached to the harness, secure the excess wire to the fender by snapping the harness clip in place as shown in Figure 7.

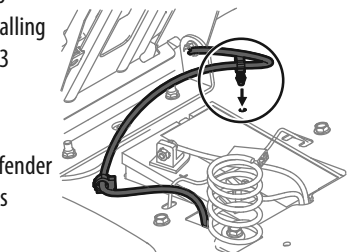


Figure 7

Dash Shroud (If Equipped)

1. If the dash shroud (a) was shipped loose, the hardware for attaching the dash shroud (a) is shipped attached to the dash shroud (a). Remove the two bolts (b) from the dash shroud (a). See Figure 8.

2. Mount the dash shroud (a) and align the mounting holes between the top of the dash and the dash shroud. See Figure 8.

3. Secure the dash shroud (a) to the dash (c) with the bolts (b) removed in Step 1. See Figure 8.

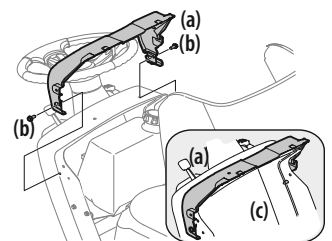


Figure 8

ASSEMBLY

Attaching the Hood Topper (If Necessary/If Equipped)

Note: Be careful not to damage the headlight harness when installing the hood topper.

1. Cut the cable ties securing the hood topper to the tractor.
2. Remove the four screws pre-installed in the hood topper and retain for Step 4.
3. Snap the hood topper into place using the hood as your guide. See Figure 9.
4. Install the hood topper onto the hood of the tractor and secure from the underside using the four screws removed in Step 2.

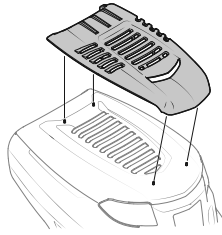


Figure 9

Installing the Steering Wheel (If necessary)

The hardware for attaching the steering wheel has been packed within the steering wheel, beneath the steering wheel cap. Carefully pry off the steering wheel cap and remove the hardware.

IMPORTANT! Do not use impact tools to install or remove the steering wheel. Doing so can overtorque and damage the fastener.

1. Remove the key, attached with a cable tie to the steering wheel.
2. With the front wheels of the tractor pointing straight forward, align the steering wheel (a) and place it onto the steering shaft (b). See Figure 10.
3. Secure the steering wheel (a) with the hex bolt (c) and washer (f) from under the steering wheel cap (e) and torque to 18-22 ft.-lbs (24.4-29.8 N-m).
4. Place the steering wheel cap (e) over the center of the steering wheel (a) and push downward until it “clicks” into place.

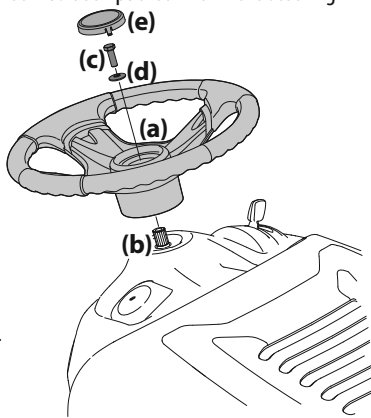


Figure 10

NOTE: The hex bolt (c) securing the steering wheel (a) has thread locker applied to it, so if it is removed, it is recommended that the hex bolt (c) be replaced or thread lock re-applied.

Lower Deck Discharge Chute Deflector (If Equipped)

⚠ WARNING

Never operate the mower deck without the chute deflector installed and in the down position.

46" Deck Models

1. Remove the key attached with a zip tie to the chute bracket.
2. Remove the flange lock nut and hex screw from the deck.
3. Place the chute deflector on the deck, be sure to insert the tabs on the chute deflector into the holes on the deck. See Figure 11.
4. Slide the chute deflector toward the rear of the tractor until the bolt hole in the chute deflector aligns with the hole in the deck. See Figure 11.

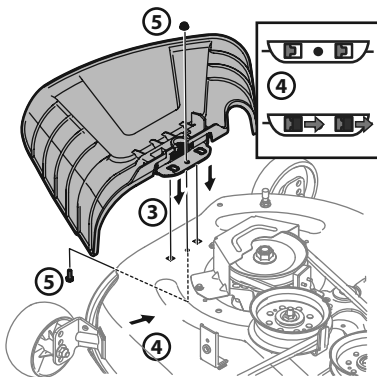


Figure 11

5. Secure the chute deflector in place with the flange lock nut and hex screw removed in step two. Tighten to 102-124 in.-lbs (11.5-14 N-m). See Figure 11. Skip ahead to “Setting the Deck Wheels”

42"/50"/54" Deck Models

1. Check the tractor deck for a shipping brace that may be holding the chute deflector upward for shipment. If the shipping brace is present, it must be removed before operating the tractor. Holding the chute deflector fully upward, remove the shipping brace.
2. Lower the chute deflector and discard the shipping brace. See Figure 12.

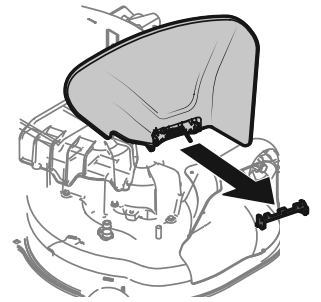


Figure 12

Note: 36" deck models come equipped with mulch plugs rather than chute deflectors and no shipping brace is included.

Setting the Deck Wheels (If Equipped)

NOTE: The deck wheels are an anti-scalp feature of the deck and are not designed to support the weight of the cutting deck.

1. Move the tractor to a level surface, preferably pavement.
2. Check the tire pressure, adjust, if necessary. See tire sidewall for proper tire pressure.
3. Make sure the deck is level side-to-side and properly pitched. See the Maintenance and Adjustments section for deck leveling information and instructions.
4. Place deck lift lever in the desired mowing height position.
5. Check the wheels for contact or excessive clearance with the surface below.

Note: The deck wheels should have between ¼"-½" (6.35-12.7mm) clearance above the ground. Proceed as follows to adjust the wheels:

- a. Raise the deck lift lever to its highest setting.
- b. Remove the front (a) and rear (b) deck wheels by removing the flange lock nuts (c) and shoulder bolts (d) that secure them to the deck. See Figure 13.
- c. Place the deck lift lever in the desired mowing height setting.
- d. Reinsert the shoulder bolt (with each deck wheel) into the index hole that leaves approximately ½" (13mm) between the bottom of the wheel and the pavement. Tighten the flange lock nut and shoulder bolt to between 25-30 ft.-lbs (34-40 N-m) using a torque wrench.

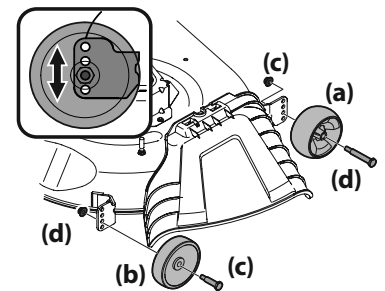


Figure 13

NOTE: Refer to Adjusting the Deck in the Service and Maintenance section of this manual for more detailed instructions regarding various deck adjustments.

Battery Information

⚠ WARNING

California **PROPOSITION 65 WARNING:** Battery posts, terminals, and related accessories contain lead and lead compounds, chemicals known to the State of California to cause cancer and reproductive harm. Wash hands after handling.

ASSEMBLY

⚠ WARNING

Should battery acid accidentally splatter into the eyes or onto the skin, rinse the affected area immediately with clean cold water. Seek prompt medical attention. If acid spills on clothing, first dilute it with clean water, then neutralize with a solution of ammonia/water or baking soda/water. NEVER connect (or disconnect) battery charger clips to the battery while the charger is turned on, as it can cause sparks. Keep all sources of ignition (cigarettes, matches, lighters) away from the battery. The gas generated during charging can be combustible. As a further precaution, only charge the battery in a well ventilated area. Always shield eyes and protect skin and clothing when working near batteries. Batteries contain sulfuric acid and may emit explosive gases. Use extreme caution when handling batteries. Keep batteries out of the reach of children.

⚠ CAUTION

When attaching battery cables, always connect the POSITIVE (Red) wire to terminal first, followed by the NEGATIVE (Black) wire.

Note: The positive battery terminal is marked Pos. (+). The negative battery terminal is marked Neg. (-).

Connecting the Battery Cables

⚠ WARNING

When attaching battery cables, always connect the POSITIVE (Red) wire to its terminal first, followed by the NEGATIVE (Black) wire.

For shipping reasons the factory may leave both battery cables disconnected from the terminals. To connect the battery cables, proceed as follows:

1. If present, remove the plastic cover from the positive battery cable. Attach the red connector to the positive battery terminal (+) using the bolt (a) and hex nut (b). See Figure 14.
2. If present, remove the plastic cover from the negative battery terminal and attach the black cable to the negative battery terminal (-) with the bolt (a) and hex nut (b). See Figure 14.
3. Position the red rubber boot (c) over the positive battery terminal to help protect it from corrosion.

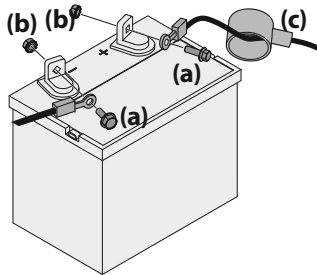


Figure 14

NOTE: If the battery is put into service after the date shown on top/side of battery, charge the battery as instructed in the Service and Maintenance section prior to operating the tractor.

Battery Maintenance

- The battery is filled with battery acid and then sealed at the factory. However, even a "maintenance free" battery requires some maintenance to ensure its proper life cycle.
- Spray the terminals and exposed wire with a battery terminal sealer, or coat the terminals with a thin coat of grease or petroleum jelly, to protect against corrosion.
- Always keep the battery cables and terminals clean and free of corrosion.
- Avoid tipping. Even a sealed battery will leak electrolyte when tipped.

Battery Storage

- When storing the tractor for extended periods, disconnect the negative battery cable. It is not necessary to remove the battery.
- All batteries discharge during storage. Keep the exterior of the battery clean, especially the top. A dirty battery will discharge more rapidly.
- The battery must be stored with a full charge. A discharged battery can freeze sooner than a charged battery. A fully charged battery will store longer in cold temperatures than hot.

- Recharge the battery before returning to service. Although the tractor may start, the engine charging system may not fully recharge the battery.

Battery Removal

⚠ WARNING

Battery posts, terminals and related accessories contain lead and lead compounds. Wash hands after handling.

The battery is located beneath the seat frame. To remove the battery:

1. Remove the battery hold down bracket by pushing the hooked end out of the tab on the fender to the right side of the battery. Then flip the battery hold-down bracket up to free the battery. See Figure 15.
2. Remove the hex cap screw and sems nut securing the black negative battery lead to the negative battery post (marked NEG). Move the cable away from the negative battery post.
3. Remove the hex cap screw and sems nut securing the red positive battery lead to the positive battery post (marked POS).
4. Carefully lift the battery out of the tractor.
5. Install the battery by repeating the above steps in the reverse order.

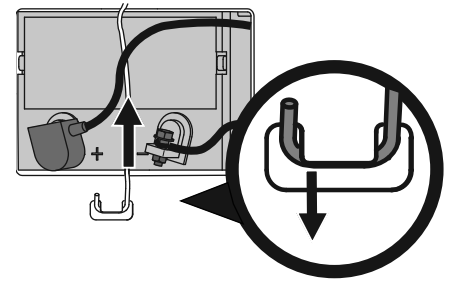


Figure 15

Charging the Battery

Test and, if necessary, recharge the battery after the tractor has been stored for a period of time.

- A voltmeter or load tester should read 12.6 volts (DC) or higher across the battery terminals. See Figure 16.
- Charge the battery with a 12-volt battery charger at a MAXIMUM rate of 10 amps.

Voltmeter Reading	State of Charge	Charging Time
12.7	100%	Full Charge
12.4	75%	90 Min.
12.2	50%	180 Min.
12.0	25%	280 Min.

Figure 16

Adjusting the Seat

Knob Adjust or Bolt Adjust

To adjust the position of the seat, remove the adjustment knob or 9/16" bolt (a) on the bottom of the seat (b). Slide the seat (b) forward or backward as desired. Reinstall the adjustment knob or 9/16" bolt (a). See Figure 4.

Lever Adjust

To adjust the position of the seat, lift the seat adjustment lever up. Slide the seat forward or rearward to the desired position; then release the adjustment lever. Make sure seat is locked into position before operating the tractor. See Figure 17.

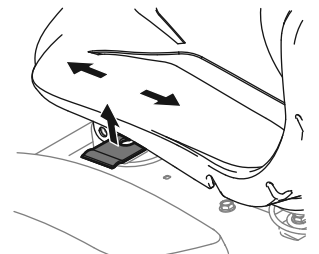


Figure 17

Oil

NOTE: Your tractor is shipped with oil in the engine. However, you MUST check the oil level before operating. See the engine manual for instructions on checking, adding and changing oil.

⚠ CAUTION

Always check the engine oil level before each use as instructed in the engine operator's manual. Add oil as necessary. Failure to do so may result in serious damage to your engine.

OPERATION

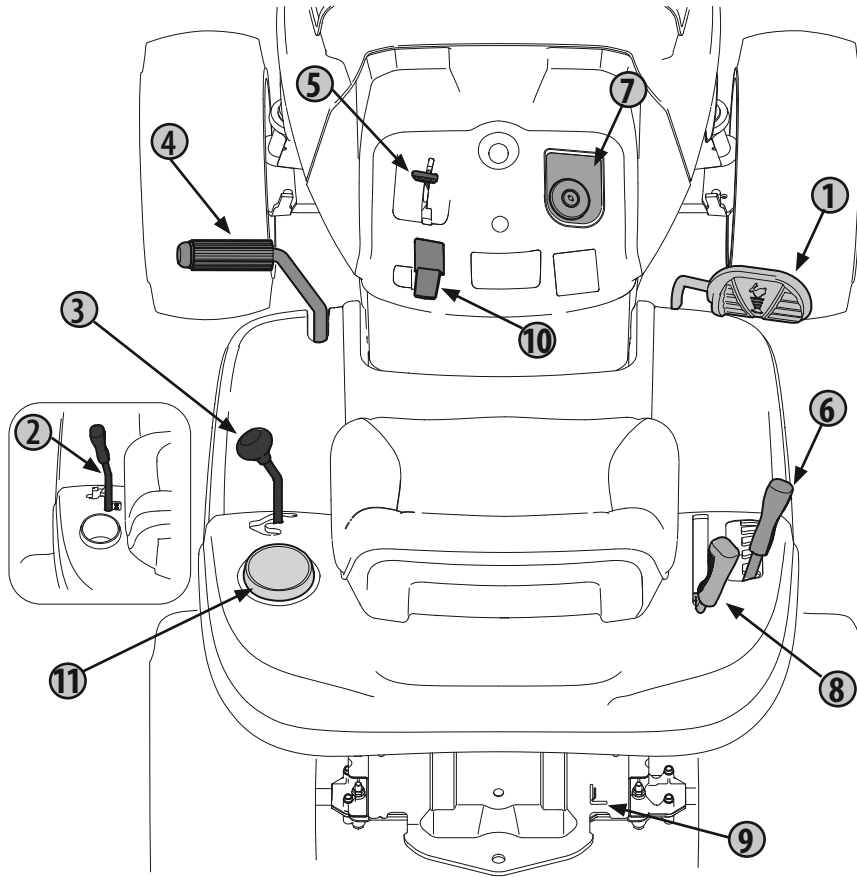


Figure 18

Note: This Operator's Manual covers several models. Tractor features may vary by model. Not all features in this manual are applicable to all tractor models and the tractor model depicted may differ from yours.

NOTE: References to LEFT, RIGHT, FRONT, and REAR indicate that position on the riding mower when facing forward while seated in the operator's seat.

① Drive Pedal (Foot Control CVT Models)(If Equipped)

Depress the drive pedal forward to allow the tractor to travel. The further forward the pedal is depressed, the faster the tractor will travel. The pedal will return to its original/neutral position when it's not depressed.

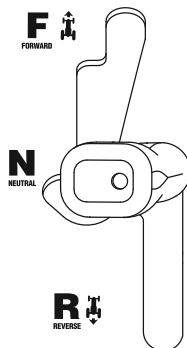
② Speed Control Lever (Hydrostatic Models)

To drive forward or in reverse, slowly move the speed control lever to the desired "F" forward or "R" reverse speed.

To stop, move the speed control lever to the "N" neutral position.

When mowing, place the speed control lever in the "Cutting Speed" position, or a slower forward speed for the best results.

NOTE: Do NOT use the parking brake pedal to control the ground speed of the tractor while driving. Always use the speed control lever to slow the ground speed of the tractor. Depressing the parking brake pedal with the speed control lever engaged as part of regular operation will result in premature wear of the drive belt.

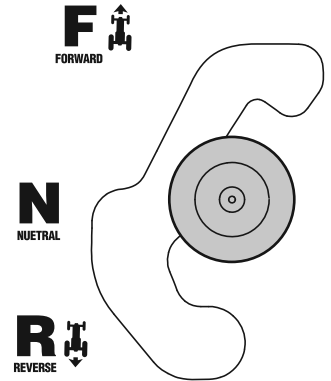


IMPORTANT: Do NOT attempt to change the direction of travel when the tractor is in motion. Serious damage to the tractor's transmission could result. Always bring the tractor to a complete stop before moving the speed control lever from forward to reverse or vice versa.

③ Shift Lever (CVT & Foot Control CVT Models)

The shift lever is located on the left side of the fender and has three positions; FORWARD (F), NEUTRAL (N) and REVERSE (R). The brake pedal must be depressed and the tractor must not be in motion when moving the shift lever.

IMPORTANT: Never force the shift lever. Doing so may result in serious damage to the tractor's transmission.



④ Brake Pedal/ Clutch-Brake Pedal

Depress the brake pedal/ clutch-brake pedal while the tractor is in use to stop the tractor, to shift (CVT and Foot Control CVT models) and for setting the parking brake.

Note: The brake pedal/ clutch-brake pedal must be fully depressed to start the tractor. Refer to Safety Interlock System for more information.

⑤ Throttle or Throttle/Choke Control Lever

Some models have an auto-choke feature. These models do not come with a manual choke function. Push the throttle or throttle/choke control lever forward to increase the engine speed. The tractor is designed to operate with the throttle/choke control lever at full throttle (FAST) when the tractor is being driven and the mower deck is engaged. Pull the throttle/choke control lever rearward to decrease the engine speed. When starting the engine, if equipped with a throttle/choke control lever, push the control lever fully forward into the "CHOKE" position. After starting and warming the engine, move the control lever rearward until you feel it move past the choke detent. Throttle is not meant to control unit speed, throttle should remain in high speed while operating blades.

⑥ Deck Lift Lever

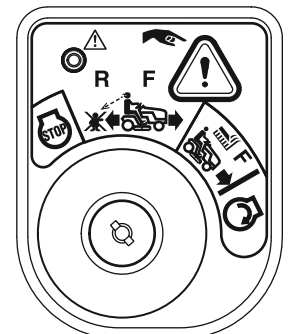
The deck lift lever is used to raise and lower the deck. Pull the lever to the left out of the index notch and push downward to lower the deck, or pull upward to raise the deck. When the desired height is attained, move the lift lever to the right until fully engaged in the index notch.

⑦ Ignition Switch

⚠ WARNING

Never leave a running tractor unattended. Always disengage PTO, set parking brake, stop engine and remove key to prevent unintended starting.

Refer to Starting the Engine for information on how to start the engine. Refer to Stopping the Engine for instructions on how to stop the engine.



OPERATION

WARNING

Prior to operating the tractor, refer to both **Safety Interlock System** and **Starting The Engine** in the Operation section of this manual for detailed instructions regarding the Ignition Switch Module and operating the tractor in REVERSE CAUTION MODE.

8 PTO (Blade Engage) Lever

The PTO (Blade Engage) lever engages power to the cutting deck or other (separately available) attachments. See Engaging the PTO (Blade Engage) section for information and instructions on using the PTO.

9 Transmission Bypass Rod (Hydrostatic Models)

When engaged, the rod opens a bypass within the hydrostatic transmission, which allows the tractor to be pushed short distances by hand. Refer to the Assembly section for instructions on using the bypass feature.

10 Park Brake or Park Brake/CVT Drive Control Lever

The Park Brake or Park Brake/ CVT Drive Control Lever is used to engage the parking brake and set the drive speed of CVT models. Refer to the Driving the Tractor section of this manual for detailed instructions regarding the parking brake.

Note: The parking brake must be set if the operator leaves the seat with the engine running or the engine will automatically shut off.

11 Cup Holder

The cup holder is located to the left of the operator's seat.

Headlights (Not Shown)

On some tractors the lights are ON whenever the ignition key is rotated out of the STOP position. The lights turn OFF when the ignition key is moved to the STOP position.

On some tractors the lights are ON only while the engine is running. Turning the tractor OFF will turn the lights OFF.

Operation

Before Operating Your Tractor

- Before operation, refer to Maintenance Schedule chart located in this manual for regularly scheduled service items.
- This engine is certified to operate only on clean, fresh, unleaded gasoline. Fill only with clean, fresh, unleaded gasoline with a pump sticker octane rating of 87 or higher.
- Do not use gasoline left over from the previous season, to minimize gum deposits in the fuel system.
- Gasohol (up to 10% ethyl alcohol, 90% unleaded gasoline by volume) is an approved fuel. Other gasoline/alcohol blends are not approved.
- Methyl Tertiary Butyl Ether (MTBE) and unleaded gasoline blends (up to a maximum of 15% MTBE by volume) are approved fuels. Other gasoline/ether blends are not approved.

Safety Interlock System

WARNING

Do not operate the tractor if the safety interlock system is malfunctioning. This system was designed for your safety and protection.

This tractor is equipped with a safety interlock system for the protection of the operator. If the safety interlock system should ever malfunction, do not operate the tractor. Contact an authorized service dealer.

- The safety interlock system prevents the engine from cranking or starting unless the parking brake is engaged or the operator is in the seat and the brake pedal is fully depressed, with the PTO (Blade Engage) lever in the disengaged (OFF) position.
- The engine will automatically shut OFF if the operator leaves the seat before engaging the parking brake.
- The engine will automatically shut OFF if the operator leaves the tractor's seat with the PTO (Blade Engage) lever in the ENGAGED (ON) position, regardless of whether the parking brake is engaged.
- With the ignition key in the NORMAL DRIVING MODE position, the engine will automatically shut OFF if the PTO (Blade Engage) lever is moved into the engaged (ON) position with the speed control in REVERSE (R) position.

Checking the Safety Interlock Circuits

Periodically check the safety interlock circuits to ensure they are working properly. If a safety circuit is not working as designed, contact your authorized service dealer to have the tractor inspected. DO NOT operate the tractor if any safety circuit is not functioning properly. To check the safety circuits, proceed as follows:

1. With the engine off and sitting in the seat, place the PTO lever in the ENGAGED (ON) position. Momentarily turn the ignition switch to the START position; the engine should not crank.
2. With the tractor running, and the parking brake not engaged; lift upward from the operator's seat. The engine should stop.
3. With the parking brake engaged, engage the PTO. Lift upward from the operator's seat; the engine should stop.

Starting the Engine

CAUTION

The operator should be sitting in the tractor seat when starting the engine.

1. Insert the ignition key into the ignition switch.
2. Place the PTO (Blade Engage) lever in the OFF position.
3. Engage the tractor's parking brake.
4. Push the throttle control upward. If equipped with a throttle/choke control lever, push the throttle/choke control lever past the detent, to engage the choke.
Note: If the engine is warmed up, it may not be necessary to choke the engine.
5. Turn the ignition key clockwise to the START position. After the engine starts, release the key. It will return to the NORMAL MOWING position.

CAUTION

Do NOT hold the key in the START position for longer than ten seconds at a time. Doing so may cause damage to your engine's electric starter.

6. For models equipped with a throttle/choke control lever: as the engine warms up, gradually pull the throttle/choke control lever rearward past the choke detent position. Do not use the choke position to enrich the fuel mixture, except as necessary to start the engine.
7. Allow the engine to run for a few minutes at mid-throttle before putting the engine under load.

Note: When operating the tractor be certain that the throttle lever is always in the FAST position.

OPERATION

Using Jumper Cables To Start Engine

WARNING

Batteries contain sulfuric acid and produce explosive gasses. Make certain the area is well ventilated, wear gloves and eye protection, and avoid sparks or flames near the battery.

If the battery charge is not sufficient to crank the engine, recharge the battery. If a battery charger is unavailable and the tractor must be started, the aid of a booster battery will be necessary. Connect the booster battery as follows:

1. Connect the end of one cable to the disabled tractor battery's positive terminal; then connect the other end of that cable to the booster battery's positive terminal.
2. Connect one end of the other cable to the booster battery's negative terminal; then connect the other end of that cable to the frame of the disabled tractor, as far from the battery as possible.
3. Start the disabled tractor following the normal starting instructions previously provided; then disconnect the jumper cables in the exact reverse order of their connection.
4. Have the tractor's electrical system checked and repaired as soon as possible to eliminate the need for jump starting.

Stopping the Engine

1. If the blades are engaged, place the PTO (Blade Engage) lever in the OFF position.
2. Engage the tractor parking brake.
3. Place the throttle control to midway between the FAST and SLOW positions.
4. Turn the ignition key counterclockwise to the STOP position.

Driving the Tractor

WARNING

- Keep all movement of the drive pedal (If Equipped), Speed Control Lever (If Equipped) and brake pedal slow and smooth. Abrupt movement of the drive control or brake pedal can affect the stability of the tractor and could cause the tractor to flip over, which may result in serious injury or death to the operator.
- Sharp turns can affect control of the tractor. ALWAYS slow the tractor before making sharp turns.
- Do not leave the seat of the tractor without first placing the PTO (Blade Engage) in the DISENGAGED (OFF) position and engaging the parking brake. If leaving the tractor unattended, also turn the engine off and remove the ignition key.

Hydrostatic

1. Move the throttle into the FAST position.
2. Depress the brake pedal and move the park brake lever to release the parking brake.
3. To travel FORWARD, slowly move the speed control lever forward until the desired speed is achieved.
4. To travel in REVERSE, check that the area behind is clear then slowly move the speed control lever rearward until the desired speed is achieved.
5. The further forward or rearward that the lever is moved, the faster the tractor will travel.
6. **To stop**, move the speed control lever to the NEUTRAL (N) position.

CVT

1. Move the throttle into the FAST position.
2. Depress the clutch-brake pedal and move the Park Brake/CVT Drive Control lever to the desired speed setting to take the tractor out of Park and set the drive speed.

IMPORTANT: First-time operators should use speed positions 1 or 2. Become completely familiar with the tractor's operation and controls before operating the tractor in higher speed positions.

3. Place the shift lever in either the FORWARD (F) or REVERSE (R) position.

WARNING

Do NOT use the shift lever to change the direction of travel when the tractor is in motion. Always use the clutch-brake pedal to bring the tractor to a complete stop before shifting.

4. Release clutch-brake pedal slowly to put the tractor into motion.
5. To stop, depress the clutch-brake pedal.

If tractor stalls with speed control in high speed, or if tractor will not operate with speed control lever in a low speed position, proceed as follows:

1. Depress the clutch-brake pedal
2. Place shift lever in NEUTRAL (N).
3. Restart engine.
4. Place CVT Drive Control Lever in highest speed position.
5. Release clutch-brake pedal fully.
6. Depress clutch-brake pedal.
7. Place CVT Drive Control Lever in desired position.
8. Place shift lever in either FORWARD (F) or REVERSE (R), and follow normal operating procedures.

Foot Control CVT

1. Move the throttle into the FAST position.
2. Depress the brake pedal and move the Park Brake/CVT Drive Control Lever out of the Park position.
3. Place the shift lever in either the FORWARD (F) or REVERSE (R) position.
4. Release clutch-brake pedal fully.
5. Gradually begin to apply pressure to the drive pedal. The further down the pedal is pushed, the faster the tractor will travel in the desired direction based on the position of the shift lever.
6. Stop the tractor by releasing the drive pedal and then depressing the brake pedal.

Engaging the Parking Brake

Note: The parking brake must be set if the operator leaves the seat with the engine running or the engine will automatically shut off.

To set the parking brake:

1. Depress the brake pedal (Hydrostatic models) or clutch-brake pedal (CVT and Foot Control CVT models) completely down with your left foot and hold it in that position.
2. Move the Park Brake lever (Hydrostatic models and Foot Control CVT drive models) or Park Brake/ CVT Drive Control lever (CVT models) all the way down and into the Park Brake Engaged position.
3. Remove your foot from the brake pedal/clutch-brake pedal.

After completing step 3, the brake pedal should remain in the down position. If it doesn't, the parking brake is *not* engaged. Repeat steps 1-3 to engage the parking brake.

OPERATION

Releasing the Parking Brake

Depress the brake pedal/clutch-brake pedal and move the Park brake or Park Brake/CVT Drive Control lever out of the ENGAGED position and into the DISENGAGED position for Hydrostatic and Foot Control CVT models. For CVT models, depress the brake pedal/clutch-brake pedal and move the parking brake lever out of the ENGAGED position and into the desired speed setting.

Reverse Caution Mode (If Equipped)

The REVERSE CAUTION MODE position of the ignition switch allows the tractor to be operated in reverse with the PTO (Blade Engage) into the engaged (ON) position.

Note: Mowing in reverse is not recommended.

⚠ WARNING

Use extreme caution while operating the tractor in the REVERSE CAUTION MODE. Always look down and behind before and while backing. Do not operate the tractor with children or others around. Stop the tractor immediately if someone enters the area.

To use the REVERSE CAUTION MODE:

Note: The operator MUST be seated in the tractor seat.

1. Start the engine as previously instructed.
2. Turn the ignition key from the NORMAL MOWING (a) position to the REVERSE CAUTION MODE (b) position of the ignition switch. See Figure 18.
3. Press and hold the REVERSE CAUTION MODE BUTTON (c) at the top, right corner of the ignition module for 3 seconds. The red indicator light (d) at the top, left corner of the ignition module will be ON while activated. See Figure 19.

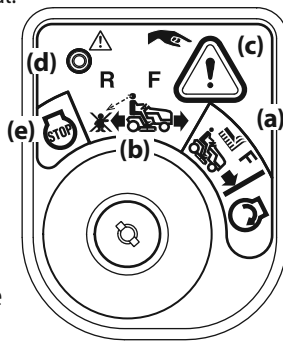


Figure 19

4. Once activated (indicator light ON), the tractor can be driven in reverse with the PTO (Blade Engage) in the engaged (ON) position.
5. Always look down and behind before and while backing up slowly to make sure no children are around. After resuming forward motion, return key to the NORMAL MOWING (a) position to return to normal mowing operation.

The REVERSE CAUTION MODE (b) will remain activated until:

- a. The key is placed in either the NORMAL MOWING (a) position or STOP (e) position.
- b. The operator leaves the seat (electric PTO)/the parking brake is set (manual PTO).

Engaging the PTO (Blade Engage)

Engaging the PTO (Blade Engage) transfers power to the cutting deck. To engage the PTO:

1. Move the throttle to the FAST position.
2. Push the PTO (Blade Engage) lever forward into the engaged (ON) position. See Figure 20.
3. To disengage the PTO (Blade Engage), pull the lever backward, into the disengaged PTO (Blade Engage) OFF position.

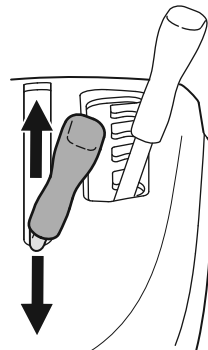


Figure 20

Mowing

⚠ WARNING

To help avoid blade contact or a thrown object injury, keep bystanders, helpers, children and pets at least 75 feet from the machine while it is in operation. Stop machine if anyone enters the area.

⚠ WARNING

Make certain the area to be mowed is free of debris, sticks, stones, wire or other objects that can be thrown by the rotating blades.

Note: Do not engage the mower deck when lowered in grass. Premature wear and possible failure of the “V” belt and PTO clutch will result. Fully raise the deck or move to a non grassy area before engaging the mower deck.

- Mow up and down slopes, not across. If mowing a slope, start at bottom and work upward to ensure turns are made uphill.
- Do not mow at high ground speed, especially if a mulch kit or grass collector is installed.
- Do not cut the grass too short. Short grass is prone to weed growth and yellows quickly in dry weather.
- Always operate the tractor with the throttle in the FAST position while mowing.
- On the first pass, pick a point on the opposite side of the area to be mowed. Follow the point to maintain a straight line.
- Engage the PTO and move the throttle control or throttle/choke control to the FAST position.
- Lower the mower deck to the desired height setting.
- For best results it is recommended that the first two laps be cut with the discharge thrown towards the center. After the first two laps, reverse the direction to throw the discharge to the outside for the balance of cutting. This will give a better appearance to the lawn.

Note: The speed of the tractor will affect the quality of the mower cut. Mowing at full speed will adversely affect the cut quality.

- Your tractor is designed to cut normal residential grass of a height no more than 10” (25cm). Do not attempt to mow through unusually tall, dry grass (e.g., pasture) or piles of dry leaves. Dry grass or leaves may contact the engine exhaust and/or build up on the tractor.
- Do NOT attempt to mow heavy brush and weeds or extremely tall grass. Your tractor is designed to mow lawns, NOT clear brush.
- Keep the blades sharp and replace the blades when worn.
- When approaching the other end of the strip, slow down or stop before turning. A three point turn is recommended.
- Align the mower with an edge of the mowed strip and overlap approximately 3” (7.6 cm).
- Direct the tractor on each subsequent strip to align with a previously cut strip.
- To prevent rutting or grooving of the turf, if possible, change the direction that the strips are mowed by approximately 45° for the next and each subsequent mowing.

When stopping the tractor for any reason while on a grass surface, always:

- Engage the parking brake.
- Shut engine off and remove the ignition key.
- Doing so will minimize the possibility of having your lawn “browned” by hot exhaust from your tractor’s running engine.

SERVICE AND MAINTENANCE

MAINTENANCE SCHEDULE



WARNING

Before performing any type of maintenance/service, disengage all controls and stop the engine. Wait until all moving parts have come to a complete stop. Disconnect spark plug wire and ground it against the engine to prevent unintended starting. Always wear safety glasses during operation or while performing any adjustments or repairs.

Follow the maintenance schedule given below. This chart describes service guidelines only.

Refer to the Engine Operator's Manual for engine maintenance items listed in the table below.

*-- Perform more often in dry conditions and/or when mulching

	Before Each use	After First 5 Hours	Every 10 Hours	Every 25 Hours	Every 50 Hours	Every 100 Hours	Every 200 Hours	Prior to Storing	See Engine Manual
Check/Clean Engine Intake Screens & Cooling Fans #	✓							✓	
Check/Clean Exhaust Manifold, Muffler Pipe & Muffler Shields #	✓							✓	
Check/Clean Top & Underside of Deck, Under and Around Spindle Covers & Belt Area #	✓							✓	
Check/Clean Around Fuses, Wiring and Wiring Harnesses #	✓							✓	
Check/Clean Around Transmission, Axle and Fans #	✓							✓	
Check Air Filter for Dirty, Loose or Damaged Parts	✓								
Check Engine Oil Level	✓								
Clean Battery Terminals			✓					✓	
Grease All Lubrication Points			✓					✓	
Check Engine Intake Screen/Clean as Needed			✓					✓	
Check Blades/Sharpen or Replace as Needed			✓					✓	
Check Tire Pressure			✓					✓	
Check/Clean Underside of Deck			✓						
Check Safety Interlock System			✓					✓	
Check Mower Blade Stop Time			✓					✓	
Inspect & Lube Deck Wheels				✓				✓	
Check Deck Level/Pitch				✓				✓	
Check Belts & Pulleys for Damage/Wear					✓				
Check That All Hardware is in Place & Secure						✓			
Check Engine Mounting Bolt Torque (Tighten to 325-450 in.-lbs. (37-50 N-m))		✓			✓			✓	✓
Check Blade Mount Nut Torque (Tighten to 70-90 ft. lbs. (95-122 N-m))		✓			✓			✓	
Check Spark Plug Condition & Gap						✓		✓	✓
Engine Break-In Oil Change		✓							✓
Change Engine Oil					✓			✓	✓
Check Fuel System (Lines, Tank, Cap, Fittings)		✓			✓			✓	✓
Check Spark Arrestor		✓			✓			✓	✓
Replace Oil Filter					✓			✓	✓
Clean or Change Air Filter					✓				✓
Replace Fuel Filter					✓				✓
Have Valve Lash Checked & Adjusted *									✓

* -- Have this item performed by an authorized service dealer

-- Perform more often in dry conditions and/or when mulching

SERVICE AND MAINTENANCE

Note: This operator's manual covers several models. Tractor features may vary by model. Not all features in this manual are applicable to all tractor models and the tractor depicted may differ from yours.

Post-Operation Tractor Care

After each operation of the tractor, the following procedures should be implemented to extend the life of your tractor and ensure safe operating conditions.

WARNING

Failure to follow these recommendations may result in serious injury to yourself or others and may cause damage to the tractor.

Cleaning the Underside of the Deck

Deck Wash System (if Equipped)

Your tractor's deck may be equipped with a water port on its surface as part of its deck wash system.

Use the deck wash system to rinse grass clippings from the deck's underside and prevent the buildup of corrosive chemicals. Complete the following steps AFTER EACH MOWING:

1. Attach the nozzle adapter to a standard garden hose connected to a water supply.
2. Move the tractor to an area within reach of the hose where the dispersal of wet grass clippings is acceptable. Disengage the PTO, engage the parking brake and stop the engine.
3. Pull back the lock collar (a) of the nozzle adapter (b) and push the nozzle adapter onto the deck wash nozzle (c). Release the lock collar to lock the nozzle adapter on the deck wash nozzle. See Figure 21.
4. Turn on the water supply.
5. From the tractor operator's seat, start the engine and engage the PTO. Allow to run as needed. Disengage the PTO and stop the engine.
6. Turn off the water supply.
7. Pull back the lock collar of the nozzle adapter to disconnect the nozzle adapter from the deck wash nozzle.

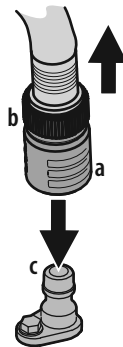


Figure 21

Cleaning the Tractor

WARNING

If the tractor has been recently run, the engine, muffler and surrounding metal surfaces will be hot and can cause burns to the skin. Let the engine cool for at least five minutes. Exercise caution to avoid burns.

Your tractor should be cleaned after each use and under certain conditions, i.e. dry conditions and/or mulching situations, additional cleaning may be necessary.

One of the best ways to keep your tractor running efficiently and to reduce fire risk is to regularly remove debris buildup from the tractor. Follow the recommendations below and contact your authorized dealer with any questions.

- Allow the tractor to cool at least five minutes in an open area before cleaning.

Note: Using a pressure washer or garden hose is not recommended for cleaning your tractor other than to clean the underside of the deck. It may cause damage to electrical components, spindles, pulleys, bearings or the engine. The use of water will result in shortened life and reduce serviceability.

- Clean under the hood, including exhaust manifold, around fuses, all wiring and harnesses, muffler pipe, muffler shield, engine intake screens and cooling fins, etc. See Figure 22.

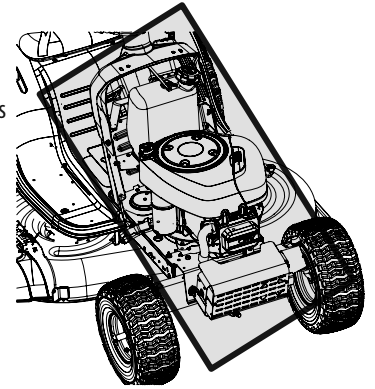


Figure 22

- Clean the top of the tractor deck, under the spindle covers and belt area. See Figure 23.

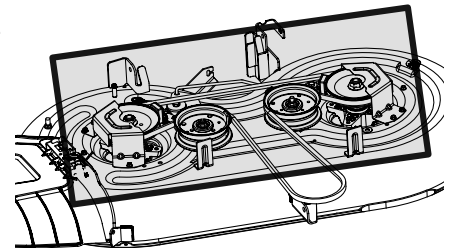


Figure 23

- Clean around and near the transmission, axle and the fan area. See Figure 24.
- Debris can accumulate anywhere on the tractor, especially on horizontal surfaces. Additional cleaning may be necessary when mowing in dry conditions or when mulching.

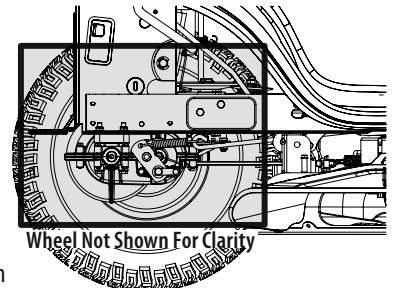


Figure 24

- Fuel leaks/spills, oil leaks/spills and excess lubrication can also become collection sites for debris. Immediate repair and cleaning up oil or fuel spills can help reduce fire hazards.
- In addition to cleaning the tractor before operating and storing, do not attempt to mow unusually tall grass, 10" (25cm) or higher, dry grass (e.g., pasture) or piles of dry leaves. Dry grass or leaves may contact the engine exhaust and/or build up on the tractor deck presenting a potential fire hazard.

Storing the Tractor

- Allow the tractor to cool at least five minutes in an open area before storing.
- Do not park the tractor near any flammable materials (wood, cloth or chemicals) or any open flames or other potential source of ignition (furnace, water heater or any other type of heater).
- Remove all combustible materials from the tractor before storing. Empty cargo boxes, grass catchers or containers.
- Always shut off fuel flow when storing or transporting if tractor is equipped with a fuel shutoff.
- Check the fuel system (lines, tank, cap and fittings) frequently for cracks or leaks. Repair and clean as necessary.

SERVICE AND MAINTENANCE

Maintenance Engine

⚠ WARNING

Allow machine to cool in an open area for at least five minutes before storing or refueling.

Refer to the Engine Operator's Manual for all engine issues and questions.

Note: Maintenance, repair, or replacement of the emission control devices and systems which are being done at owner's expense may be performed by any engine repair establishment or individual. Warranty repairs must be performed by an authorized dealer.

Changing Engine Oil

⚠ WARNING

If the engine has been recently run, the engine, muffler and surrounding metal surfaces will be hot and can cause burns to the skin. Let the engine cool for at least five minutes. Exercise caution to avoid burns.

Oil Drain Tube Models

NOTE: The oil filter should be changed at every oil change interval.

To complete the oil change, proceed as follows:

1. Run the engine for a short time to warm the engine oil. The oil will flow more freely and carry away more impurities. Use care to avoid burns from hot oil.
2. Open the tractor's hood and locate the oil drain port on the side of the engine.
3. Place an appropriate oil collection container with at least a 2.5 quart (2.36L) capacity below the opening of the oil drain tube, to collect the used oil. Remove the oil fill cap/dipstick from the oil fill tube.
4. Open the protective cap on the end of the oil drain valve to expose the drain port. See Figure 25.
5. Push the oil drain tube (packed with this manual) onto the oil drain port. Route the opposite end of the tube into an appropriate oil collection container with at least a 2.5 quart (2.36L) capacity to collect the used oil.
6. The engine is equipped with a twist-and-pull drain port. Turn the oil drain valve 1/4-turn counter-clockwise, then pull outward to begin draining oil. After the oil has finished draining, push the end of the oil drain valve back in and turn 1/4-turn clockwise to close the oil drain. Re-cap the end of the oil drain valve to keep debris from entering the drain port.
7. Replace the oil filter, and refill the engine with new oil as instructed in the engine operator's manual.
8. Reinstall the oil fill cap/dipstick.

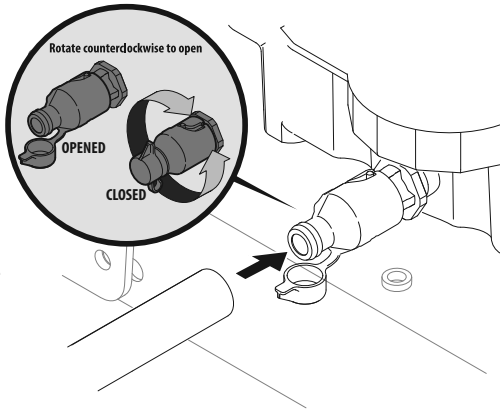


Figure 25

Oil Drain Sleeve Models

To complete the oil change, proceed as follows:

1. Run the engine for a short time to warm the engine oil. The oil will flow more freely and carry away more impurities. Use care to avoid burns from hot oil.
2. Open the tractor's hood and locate the oil drain port on the side of the engine.
3. Place an appropriate oil collection container with at least a 2.5 quart (2.36L) capacity below the opening of the oil drain tube, to collect the used oil. Remove the oil fill cap/dipstick from the oil fill tube.
4. Snap the small end of oil drain sleeve onto the oil sump. See Figure 26.
5. Remove drain plug and drain oil into collection container.
6. Replace the oil filter as instructed in the separate Engine Operator's Manual.
7. Reinstall oil drain plug and refill the engine with new oil as instructed in the engine operator's manual.
8. Reinstall the oil fill cap/dipstick.

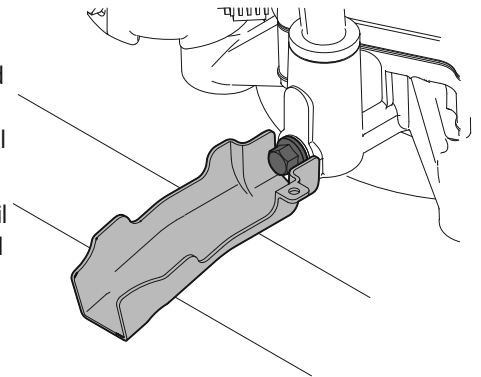


Figure 26

Lubrication

⚠ WARNING

Before lubricating, repairing, or inspecting, always disengage PTO, set parking brake, stop engine and remove key to prevent unintended starting.

Using a quality lubricating oil, lubricate all lubrication points. Refer to maintenance schedule chart located in this manual for proper service intervals.

Lubricating Pivot Points & Linkage

Lubricate all the pivot points on the drive system, parking brake and lift linkage per the Maintenance Chart.

NOTE: It is not necessary to grease the steering pinion/sector gear interface. Doing so will allow dirt to accumulate and can affect steering performance.

Rear Wheels

The rear wheels should be removed from the axles once a season. Lubricate the axles and the rims with an all-purpose grease before re-installing them.

NOTE: Place an absorbent towel beneath the oil filter to keep oil off the engine pulley.

SERVICE AND MAINTENANCE

Front Axles (If Equipped)

Each end of the tractor's front pivot bar may be equipped with a grease fitting. Lubricate with a No. 2 multi-purpose grease applied with a grease gun per the Maintenance Schedule. See Figure 27.

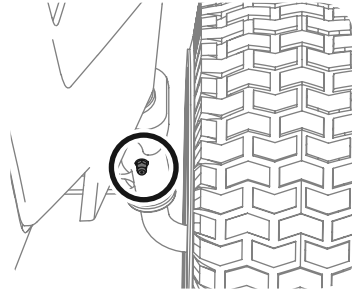


Figure 27

Spark Arrestor Maintenance (If Equipped)

Spark arrestor assemblies must be inspected and cleaned periodically (see the service interval chart in this manual). Visually inspect the screen for tears, broken wires or loose welds. Replace the spark arrestor assembly if any of these conditions exist. If the screen is in good condition, clean the screen by brushing away loose dirt or carbon particles.

Tires

Keep the tires inflated to the recommended pressures. Improper inflation will shorten the tire service life. See the tire side wall for proper inflation pressures. Refer to maintenance schedule chart located in this manual for proper service intervals.

Observe the following guidelines:

- Do not inflate a tire above the maximum pressure shown on the sidewall of the tire.
- Do not reinflate a tire that has been run flat or seriously under inflated. Have it inspected and serviced by a qualified tire mechanic.

Off-Season Storage

If your lawn tractor is not going to be operated for an extended period of time (thirty days to approximately six months), the lawn tractor should be prepared for storage. Store the lawn tractor in a dry and protected location. If stored outside, cover the lawn tractor (including the tires) to protect it from the elements. The procedures outlined below should be performed whenever the lawn tractor is placed in storage.

1. Change the engine oil and filter following the instructions provided in this manual as well as the engine manual provided with this tractor.

WARNING

Never store the tractor with fuel in the tank indoors or in poorly ventilated enclosures, where fuel fumes may reach an open flame, spark or pilot light as on a furnace, water heater, clothes dryer, etc.

2. If storing the tractor for 30 days or more:
 - a. To prevent gum deposits from forming inside the engine's carburetor and causing possible malfunction of the engine, the fuel system must be either completely emptied, or the gasoline must be treated with a stabilizer to prevent deterioration.
 - b. Using a fuel stabilizer for storage between 30 and 90 days:
 - Read the product manufacturer's instructions and recommendations.
 - Add to clean, fresh gasoline the correct amount of stabilizer for the capacity of the fuel system.
 - Fill the fuel tank with treated fuel and run the engine for 2-3 minutes to get stabilized fuel into the carburetor.
 - Fuel left in the fuel tank deteriorates and will cause serious starting problems.
 - c. Emptying the fuel system for storage of more than 90 days:
 - Prior to putting the tractor in storage, monitor fuel consumption with the goal of running the fuel tank empty.

- Run the engine until it begins to stall. Use the choke to keep the engine running until all fuel in the carburetor has been exhausted.
- Referring to the engine manual, drain the fuel from the carburetor bowl.

3. Clean the engine and the entire tractor thoroughly.

Note: Using a pressure washer or garden hose is not recommended for cleaning your tractor other than to clean the underside of the deck. It may cause damage to electrical components, spindles, pulleys, bearings or the engine. The use of water will result in shortened life and reduce serviceability.

4. Fully charge the battery, then disconnect the negative cable at the battery to prevent possible discharge. Recharge the battery periodically when in storage.

Note: Remove the battery if exposed to prolonged periods of sub-freezing temperatures. Store in a cool, dry location where temperatures are above freezing.

5. Lubricate all lubrication points.

Removing the Lawn Tractor from Storage

1. Check the engine oil.
2. Fully charge the battery and inflate the tires to the recommended pressure. See tire side wall for proper tire inflation pressure.
3. Fill the fuel tank with clean, fresh gasoline.
4. Start the engine and allow to idle for a few minutes to ensure engine is operating properly.
5. Drive the tractor without a load to make certain all the tractor systems are functioning properly.

Leveling the Deck (Side-to-Side)

1. With the tractor parked on a firm, level surface, place the deck lift lever in the second notch from the top (second highest position) and rotate both blades so that they are perpendicular with the tractor.
2. Measure the distance from the outside of the left blade tip to the ground and the distance from the outside of the right blade tip to the ground. Both measurements taken should be equal. If they're not, proceed to the next step.
3. Under the rear fenders inside the wheels there is a lift adjustment hex cap screw and gear for each side of the deck. See Figure 28.
4. Loosen, but do NOT remove, the hex cap screw (a) on the left deck hanger bracket.
5. Minor adjustments should be made to the adjustment gear immediately behind the hex cap screw loosened in the previous step (clockwise/up or counter-clockwise/down).
6. When the proper adjustment is achieved, tighten the hex cap screw (a) on the left deck hanger bracket.
7. The deck is properly balanced when both blade tip measurements taken earlier are equal.

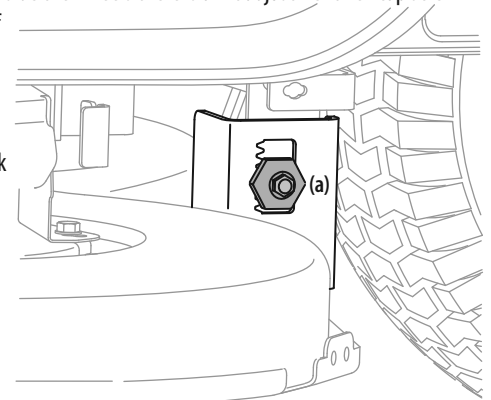


Figure 28

SERVICE AND MAINTENANCE

Leveling the Deck (Pitch/Front-to-Rear)

The front of the deck is supported by a stabilizer bar that can be adjusted to level the deck from front to rear. The front of the deck should be 1/4"-3/8" (6.35-9.5mm) lower than the rear of the deck. Adjust if necessary as follows:

1. Park the tractor on a firm, level surface and place the lever for lifting the platform on the second to the top notch (second highest position) and rotate the end of the blade nearest the discharge chute so that it is parallel with the tractor.
2. Measure the distance from the front of the blade tip to the ground and the rear of the blade tip to the ground. The front of the deck should be between 1/4"-3/8"(6.35-9.5mm) less than the rear of deck.
3. Determine the approximate distance necessary for proper adjustment and proceed, if necessary.
4. To *raise* the front of the deck, loosen the outer nut then tighten (thread inward) the inner nut against the front hanger bracket. See Figure 29. When proper adjustment is achieved, re-tighten the outer nut to 25-30 ft.-lbs (34-40.7 N-m).
5. To *lower* the front of the deck, loosen the outer nut then loosen (thread outward) the inner nut, away from the front hanger bracket. See Figure 29. When proper adjustment is achieved, re-tighten the outer nut.

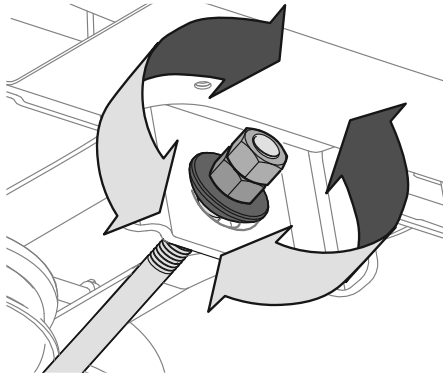


Figure 29

Adjusting the Deck Wheels

! WARNING

Keep hands and feet away from the discharge opening of the cutting deck.

NOTE: The deck wheels are an anti-scalp feature of the deck and are not designed to support the weight of the deck.

The deck wheels should be approximately 1/4-1/2" (6.35-12.7mm) above the ground when the deck is set in the desired height setting. To adjust the deck wheels see the Assembly section for instructions.

Service

Electrical System

A fuse is installed to protect the tractor's electrical system from damage caused by excessive amperage. Always use the same capacity fuse for replacement. If the electrical system does not function, check for a blown fuse.

If you have a recurring problem with blown fuses, have the tractor's electrical system checked by your authorized service dealer.

Relays and Switches

There are several safety switches in the electrical system. If a function of the safety interlock system described earlier is not functioning properly, have the electrical system checked by your authorized service dealer.

Parking Brake Adjustment

If the tractor does not come to a complete stop when the brake pedal is completely depressed, or if the tractor's rear wheels can roll with the parking brake applied (and the hydrostatic relief valve open if equipped), the brake is in need of adjustment. See your authorized service dealer to have the brake adjusted.

Hydrostatic Neutral Adjustment

If the tractor creeps forward or rearward when neither the forward nor reverse pedal is depressed, contact your local authorized dealer to have the neutral setting properly adjusted.

Wheel Alignment

If your tractor pulls to one side or is out of alignment, a wheel alignment might be necessary. Contact an authorized service dealer to have the wheels properly aligned.

Deck Removal

! WARNING

Use caution to avoid pinching your fingers when rolling the belt off the PTO pulley.

To remove the cutting deck, proceed as follows:

1. Move the tractor to a level surface, disengage the PTO, stop the engine, ENGAGE the parking brake.
2. Lower the deck by moving the deck lift lever into the bottom notch on the right fender.
3. Remove the belt-keeper rod (a), from around the tractor's engine pulley, by removing the self-tapping screw (b) that secures it. See Figure 30.

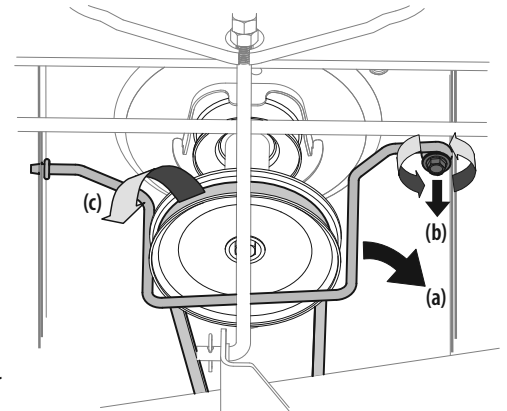


Figure 30

NOTE: Make a note what hole the other end of the belt-keeper rod is inserted in for reinstallation purposes.

4. Remove the belt (c) from around the tractor's engine pulley and idler pulley(s). See Figure 30.
5. Looking at the cutting deck from the left side of the tractor, locate the bow-tie pin (a) that secures the deck support rod (b) on the rear left side of the deck. See Figure 31. Remove the bow-tie pin (a) that secures the deck support rod (b), and carefully remove the deck support from the deck lift arm.

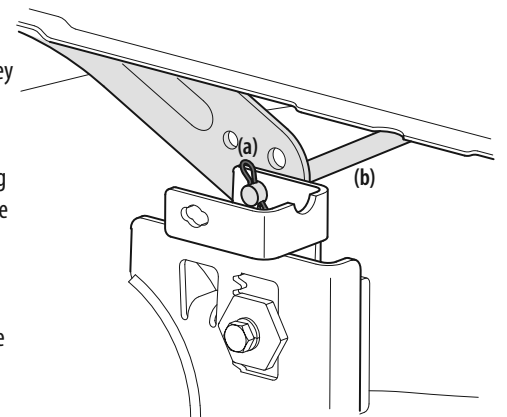


Figure 31

SERVICE AND MAINTENANCE

- Repeat step 5 on the tractor's right side.
- Move the deck lift lever into the top notch on the right fender to raise the deck lift arms up and out of the way.
- On 38" decks, gently slide the cutting deck toward the front of the tractor carefully guiding the hooks on the deck on the deck off of the deck stabilizer rod. See Figure 32.

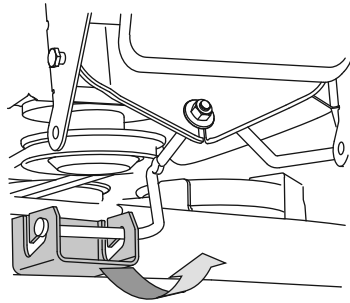


Figure 32

- On 36", 42" and 46" decks, Remove the bow-tie pin (a) securing the deck stabilizer rod (b) to the deck. Slide the deck lift rod from the mounting weldment on the deck as seen in Figure 33.
- Carefully remove the PTO cable (a) from the rear of the cutting deck by removing the bow-tie clip (b) which secures it. Remove the spring (c) from the deck idler bracket. See Figure 34.
- Gently slide the cutting deck (from the left side) out from underneath the tractor.

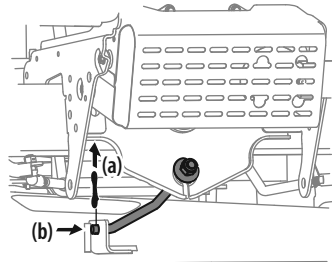


Figure 33

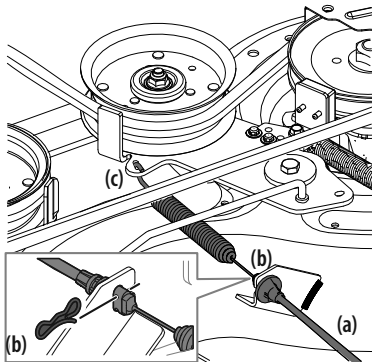


Figure 34

NOTE: To reinstall the deck after service, reverse the order of deck removal steps 1-11 in this section.

Removing the Blade

⚠ WARNING

- Shut the engine off and remove ignition key before removing the cutting blade(s) for sharpening or replacement. Protect your hands by using heavy gloves when grasping the blade.
- Periodically inspect the blade and/or spindle for cracks or damage, especially after you've struck a foreign object. Do not operate the tractor until damaged components are replaced.
- If the cutting edge of the blade has previously been sharpened, or if any metal separation is present, replace the blades with new ones.

- Remove the deck from beneath the tractor, (refer to Deck Removal on page 18) then gently flip the deck over to expose its underside.
- Place a block of wood between the center deck housing baffle and the cutting blade to act as a stabilizer. See Figure 35.
- Remove the hex flange nut that secures the blade to the spindle assembly. See Figure 35.

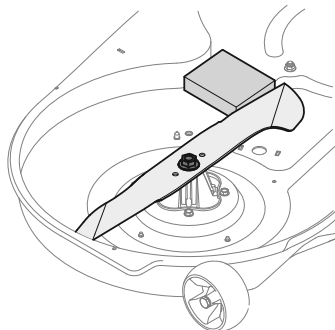


Figure 35

Installing the Blade

- With the deck removed gently flip the deck over to expose its underside.
- Line up the hole in the center of the blade with the retainer at the bottom of the spindle assembly, and the side stamped with "grass-side" or with a part number, so that it will be facing the ground when with the deck reinstalled and in the proper operating position.
- Place a block of wood between the deck housing baffle and the cutting blade to act as a stabilizer. See Figure 35.
- Thread on the hex flange nut to secure the blade to the spindle assembly. Use a torque wrench to tighten the blade spindle hex flange nut to 80-90 ft-lbs (95-122 N-m).

NOTE: When replacing or reinstalling the blade, be sure to install the blade with the side of the blade marked "Bottom" (or with a part number stamped in it) facing the ground.

Sharpening the Blade

- To properly sharpen the cutting blades, remove equal amounts of metal from both ends of the blades along the cutting edges, parallel to the trailing edge, at a 25° to 30° angle. Always grind each cutting blade edge equally to maintain proper blade balance. See Figure 36.
- Test the blade's balance using a blade balancer. Grind metal from the heavy side until it balances evenly.

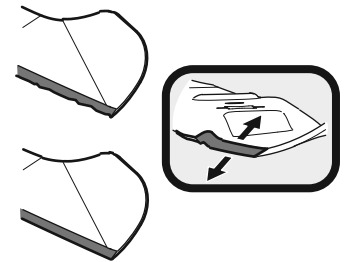


Figure 36

⚠ WARNING

A poorly balanced blade will cause excessive vibration, may damage the tractor and/or result in personal injury.

TROUBLESHOOTING



WARNING

Before performing any type of maintenance/service, disengage all controls and stop the engine. Wait until all moving parts have come to a complete stop. Disconnect spark plug wire and ground it against the engine to prevent unintended starting. Always wear safety glasses during operation or while performing any adjustments or repairs.

This section addresses minor service issues. To locate the nearest authorized service center consult the separate supplement sheet for contact information.

Problem	Cause	Remedy
Engine fails to start	<ol style="list-style-type: none"> 1. PTO/Blade Engage lever engaged. 2. Parking brake not engaged. 3. Spark plug wire disconnected. 4. Throttle control lever not in correct starting position. 5. Fuel tank empty, or stale fuel. 6. Blocked fuel line. 7. Faulty spark plug. 8. Engine flooded. 9. fuse(s) blown 	<ol style="list-style-type: none"> 1. Place lever in disengaged (OFF) position. 2. Engage parking brake. 3. Connect wire to spark plug. 4. Place Throttle lever into the FAST position. 5. Fill tank with clean, fresh (less than 30 days old) gas. 6. Replace fuel line. See a qualified service dealer. Replace fuel filter. See the Service and Maintenance section. 7. Clean, adjust gap or replace plug. 8. Crank engine with throttle in FAST position. 9. Replace Fuse.
Engine runs erratically	<ol style="list-style-type: none"> 1. Tractor running with CHOKE activated. 2. Spark plug wires loose. 3. Blocked fuel line or stale fuel. 4. Vent in gas cap plugged. 5. Water or dirt in fuel system. 6. Dirty air cleaner. 	<ol style="list-style-type: none"> 1. Deactivate the CHOKE. 2. Connect and tighten spark plug wires. 3. Replace fuel line. See a qualified service dealer. Fill tank with clean, fresh gasoline and replace fuel filter. See the Service and Maintenance section. 4. Clear vent or replace cap if damaged. 5. Drain fuel tank. Refill with clean, fresh gasoline. See the Service and Maintenance section. 6. Replace air cleaner paper element or clean foam pre-cleaner, if equipped.
Engine overheats	<ol style="list-style-type: none"> 1. Engine oil level low. 2. Air flow restricted. 	<ol style="list-style-type: none"> 1. Fill engine with proper amount and type of oil. 2. Clean grass clippings and debris from around the engine's cooling fins and housing.
Engine hesitates at high RPM	<ol style="list-style-type: none"> 1. Spark plug gap too close. 	<ol style="list-style-type: none"> 1. Remove spark plug and adjust gap.
Engine idles rough	<ol style="list-style-type: none"> 1. Fouled spark plug 2. Dirty air cleaner. 	<ol style="list-style-type: none"> 1. Replace spark plug and adjust gap. 2. Clean or replace air cleaner element and/or clean pre-cleaner.
Excessive vibration	<ol style="list-style-type: none"> 1. Cutting blades loose or unbalanced. 2. Damaged, dull, or bent cutting blade. 	<ol style="list-style-type: none"> 1. Tighten blade and spindle. Balance blade. 2. Replace blade.
Mower will not mulch grass	<ol style="list-style-type: none"> 1. Engine speed too low. 2. Wet grass. 3. Excessively high grass. 4. Dull blade. 	<ol style="list-style-type: none"> 1. Place throttle in FAST position. 2. Do not mulch when grass is wet. 3. Mow once at a high cutting height, then mow again at desired height or make a narrower cutting swath. 4. Sharpen or replace blade.
Uneven cut	<ol style="list-style-type: none"> 1. Deck not leveled properly. 2. Dull blade. 3. Uneven tire pressure. 	<ol style="list-style-type: none"> 1. Perform side-to-side deck adjustment. 2. Sharpen or replace blade. 3. Check tire pressure in all four tires.

MANUAL DEL OPERADOR

Tractor Cortacésped con Motor Frontal

Registro de Información del Producto

Antes de configurar y hacer funcionar su equipo nuevo, por favor localice la placa de modelo que viene en el equipo y registre la información en el espacio de la derecha. Para encontrar la placa de modelo, eleve el asiento y mire en la parte inferior de la bandeja del asiento. Si tiene que solicitar soporte técnico a través de nuestro sitio web o de un distribuidor de servicio local autorizado, necesitará esta información.

NÚMERO DE MODELO

--	--	--	--	--	--	--	--	--	--	--	--

NÚMERO DE SERIE

--	--	--	--	--	--	--	--	--	--	--	--

Índice

<i>Medidas Importantes de Seguridad</i>	2	<i>Servicio y Mantenimiento</i>	14
<i>Montaje</i>	7	<i>Solución de Problemas</i>	20
<i>Funcionamiento</i>	10	<i>Piezas/Garantía</i>	Consulte el suplemento que se adjunta por separado

▲ ADVERTENCIA

Lea y cumpla todas las reglas e instrucciones de seguridad de este manual antes de intentar operar esta máquina. Si no sigue estas instrucciones, se pueden provocar lesiones personales.

▲ ADVERTENCIA

Proposición 65 de California


El escape del motor de este producto, algunos de sus componentes y algunos componentes del vehículo contienen o liberan sustancias químicas que el Estado de California considera que pueden producir cáncer, defectos de nacimiento u otros problemas reproductivos.

Los terminales y contactos de la batería, y los accesorios afines contienen plomo y compuestos de plomo, sustancias químicas que el Estado de California considera que pueden producir cáncer y daños en el sistema reproductivo. Lávese las manos después de estar en contacto con estos componentes.

NOTA: Este Manual del Operador corresponde a varios modelos. Las características pueden variar según los modelos. No todas las características que se incluyen en este manual se aplican a todos los modelos y el modelo que se ilustra aquí puede diferir del suyo.

MEDIDAS DE SEGURIDAD

ADVERTENCIA

 Este símbolo indica instrucciones de seguridad importantes que, de no seguirse, podrían poner en peligro la seguridad personal y/o la propiedad suya y de terceros. Lea y cumpla todas las instrucciones de este manual antes de intentar hacer funcionar esta máquina. Si no sigue estas instrucciones, se pueden provocar lesiones personales. Cuando vea este símbolo, ¡PRESTE ATENCIÓN A LA ADVERTENCIA!

PELIGRO

Esta máquina está diseñada para ser utilizada respetando las medidas de seguridad contenidas en este manual. Al igual que con cualquier tipo de equipo motorizado, un descuido o error por parte del operador puede producir lesiones graves. Esta máquina es capaz de amputar dedos, manos y pies y de arrojar residuos. De no respetar las instrucciones de seguridad siguientes, se pueden ocasionar lesiones graves o la muerte.

Funcionamiento General

1. Lea, entienda y cumpla todas las instrucciones incluidas en el tractor y en los manuales antes de intentar armar la unidad y utilizarla. Guarde este manual en un lugar seguro para consultas futuras y periódicas, así como para solicitar repuestos.
2. Familiarícese con todos los controles y su correcto funcionamiento. Sepa cómo detener el tractor y desactivar los controles rápidamente.
3. No permita nunca que los niños menores de 14 años utilicen este tractor. Los niños de 14 años en adelante deben leer y entender las instrucciones y medidas de seguridad contenidas en este manual y sobre el tractor, y deben ser entrenados y supervisados por un adulto.
4. Nunca permita que los adultos operen este tractor sin recibir antes la instrucción apropiada.
5. Si se presentan situaciones que no están previstas en este manual, tenga cuidado y use el sentido común. Póngase en contacto con su representante de atención al cliente para obtener ayuda.
6. De conformidad con la Comisión de Seguridad de Productos para el Consumidor de los Estados Unidos (CPSC) y la Agencia de Protección Ambiental de los Estados Unidos (EPA), este producto tiene una vida útil estimada de siete (7) años, en condiciones normales de uso. Al final de su vida útil, se deberá solicitar una inspección del producto anualmente a fin de asegurarse de que todos los sistemas mecánicos y de seguridad funcionen adecuadamente, de manera segura y no estén excesivamente desgastados. Si no lo hace, puede ocasionar accidentes, lesiones o la muerte.

Preparativos Anteriores al Uso

1. Revise minuciosamente el área donde se va a usar el tractor. Saque todas las piedras, palos, cables, huesos, juguetes y demás objetos extraños que puedan ser recogidos y arrojados por la(s) cuchilla(s). Los objetos arrojados por la máquina pueden producir lesiones personales graves.
2. A fin de evitar lesiones por el contacto con las cuchillas o por objetos arrojados, mantenga a los asistentes a por los menos 75 pies (23 metros) del tractor mientras está en funcionamiento. Mantenga a las personas, los niños y las mascotas en interiores durante el funcionamiento. Detenga el tractor si alguien entra en la zona.
3. Esté atento a la dirección de la descarga del tractor y no apunte a nadie.
4. Para protegerse los ojos, utilice siempre anteojos o antiparras de seguridad durante la operación o mientras realiza ajustes o reparaciones. Los objetos arrojados que rebotan pueden producir lesiones graves en los ojos.
5. Utilice zapatos de trabajo resistentes, de suela fuerte, y pantalones y camisas ajustados. Las ropas sueltas, las alhajas y el cabello largo pueden engancharse en las piezas móviles. Nunca haga funcionar este tractor si está descalzo o con sandalias.
6. Nunca llene en exceso el depósito de combustible. Llene el depósito no más de 1/2" (13 mm) por debajo de la base del cuello de llenado, para dejar espacio para la expansión del combustible.
7. Vuelva a colocar la tapa de la gasolina y ajústela bien.
8. Use solo aditamentos o accesorios aprobados para este tractor por el fabricante del tractor. Lea, comprenda y siga todas las instrucciones incluidas con el accesorio o implemento aprobado.

Funcionamiento

1. Los datos estadísticos muestran que los operadores mayores de 65 años se ven implicados en un alto porcentaje de lesiones relacionadas con tractores. Estos operadores deben evaluar su capacidad para operar el tractor en forma suficientemente segura para protegerse a ellos mismos y a los demás contra lesiones graves.
2. Desacople las cuchillas y coloque el freno de mano antes de intentar encender el tractor.
3. No ponga las manos ni los pies cerca de las piezas rotatorias ni debajo de la plataforma de corte. El contacto con la(s) cuchilla(s) puede amputar manos y pies.
4. Esté atento a los hoyos, surcos, baches, rocas, u otros objetos ocultos. El terreno desnivelado puede hacer que vuelque el tractor. El césped alto puede ocultar obstáculos.
5. Planifique el patrón de corte, para evitar que la descarga de material se realice hacia los caminos, las veredas, los asistentes, etc. Evite descargar material contra una pared u obstrucción, ya que esto podría hacer que el material descargado rebotara contra el operador.
6. Revise la holgura superior antes de conducir debajo de ramas bajas de árboles, cables, cerramientos de puertas, etc., donde el operador puede golpearse o ser tirado del tractor, lo que podría resultar en lesiones graves.
7. Nunca deje un tractor en funcionamiento sin vigilancia. Siempre apague las cuchillas, ponga el freno de mano, pare el motor y retire la llave antes de desmontar.
8. Desacople la(s) cuchilla(s), coloque el freno de mano, detenga el motor y espere hasta que la(s) cuchilla(s) se detenga(n) por completo antes de retirar el colector de recortes de césped, vaciar los recortes, desbloquear el canal de descarga, retirar cualquier residuo o desecho, o realizar cualquier ajuste.
9. Su tractor fue diseñado para cortar césped residencial normal, con una altura no mayor de 10" (25 cm). No intente cortar césped demasiado crecido, seco (por ej., pastura) ni pilas de hojas secas. El césped o las hojas que están secos pueden entrar en contacto con el escape del motor y/o acumularse en la plataforma del tractor presentando un potencial peligro de incendio.
10. Retroceda lentamente. Siempre mire hacia abajo y hacia atrás antes y mientras retrocede para evitar accidentes en retroceso.
11. Nunca lleve pasajeros.
12. Manténgase a por lo menos 10 pies (3 metros) de barrancos, zanjas o terraplenes o del borde del agua. El tractor puede volcarse repentinamente si una de las ruedas pasa el borde de un acantilado o zanja o si se desmorona un borde.
13. Un deflector del canal faltante o dañado puede provocar lesiones por contacto con las cuchillas o por objetos arrojados.
14. No opere el tractor si no está el deflector del canal o el colector de césped completo en su lugar correspondiente.
15. Tenga mucho cuidado con los colectores de césped y otros accesorios. Pueden modificar la estabilidad del tractor. Siga siempre las instrucciones del fabricante del accesorio.
16. Detenga las cuchillas cuando cruce caminos de gravilla, senderos o caminos y cuando no esté cortando el césped.

MEDIDAS DE SEGURIDAD

17. Vigile el tránsito vehicular cuando esté operando cerca de caminos o en cruces. Este tractor no se ha diseñado para el uso en la vía pública.
18. Úsela solamente con luz natural o con buena luz artificial.
19. No haga funcionar el tractor si se encuentra bajo los efectos del alcohol o las drogas.
20. Reduzca la velocidad antes de girar. Opere el tractor suavemente. Evite que funcione de manera errática y a excesiva velocidad.
21. El silenciador y el motor están a temperatura muy alta y pueden provocar lesiones graves por quemaduras. No los toque. Deje que se enfríe el tractor durante cinco minutos antes de intentar cualquier tarea de mantenimiento.
22. Nunca haga funcionar un motor en interiores o en un área mal ventilada. El escape del motor contiene monóxido de carbono, un gas inodoro y letal.

Niños

1. Se pueden producir accidentes trágicos si el operador no está alerta a la presencia de niños. Por lo general, los niños se sienten atraídos por el tractor y su actividad. Los niños no son conscientes de los peligros. Nunca asuma que los niños permanecerán donde los vio por última vez.
2. Mantenga a observadores, niños y mascotas en interiores durante la operación bajo la atenta supervisión de un adulto responsable que no sea el operador. Detenga el tractor si alguien entra en la zona.
3. Nunca transporte niños, ni siquiera con las cuchillas desactivadas. Podrían caerse y resultar gravemente heridos o interferir con la operación segura del tractor. Los niños que ya hubieran sido transportados en ocasiones anteriores podrían aparecer repentinamente en la zona de corte para otra vuelta y ser atropellados o también podrían ser arrollados al dar marcha atrás con el tractor.
4. Esté alerta y apague el tractor si un niño o un observador ingresa al área.
5. Para evitar accidentes al retroceder, siempre mire hacia atrás y hacia abajo para ver si hay niños.
6. Tenga mucho cuidado al aproximarse a esquinas ciegas, puertas, arbustos, árboles u otros objetos que puedan obstaculizarle la vista de un niño que pudiese correr al encuentro del tractor.
7. No permita nunca que los niños menores de 14 años utilicen este tractor. Los niños de 14 años en adelante deben leer y entender las instrucciones y las prácticas de operación seguras contenidas en este manual y sobre el tractor, y deben ser entrenados y supervisados por un adulto.
8. No permita que se transporte a ningún niño por diversión en el tractor. El tractor no es un juguete ni un carro de paseo. Advértales a sus hijos que el tractor puede ser peligroso y que deben mantenerse alejados de él en todo momento.
9. Mantenga a los niños alejados de los motores calientes o en funcionamiento. Pueden sufrir quemaduras al tocar un silenciador caliente.
10. Retire la llave cuando el tractor quede sin vigilancia para evitar el funcionamiento no autorizado. Asegúrese de que la llave quede fuera del alcance de los niños pequeños.

Operación en Pendientes

1. Las pendientes son un factor importante en los accidentes ocasionados por pérdida de control y vuelcos que pueden causar lesiones graves e incluso la muerte. Todas las pendientes requieren precaución extra. Si no puede retroceder por la pendiente o si no se siente seguro, no realice ningún corte.
2. Para su seguridad, mida las pendientes antes de usar el tractor en el lugar inclinado. Use un dispositivo de medición de pendientes además del indicador de pendiente que se incluye como parte de este manual para medir las pendientes antes de operar este tractor sobre una zona inclinada o con pendientes. Para medir las pendientes, también se pueden usar aplicaciones de teléfonos inteligentes. Si la pendiente es de más de 15 grados (25%) según figure en el indicador de pendiente o un dispositivo de medición de pendientes, no haga funcionar este tractor en ese sector pues podría causar lesiones graves.
3. No corte el césped en pendientes de más de 15 grados (25%).
4. No corte el césped subiendo y bajando pendientes, solo hágalo de forma transversal a las pendientes que son de menos de 15 grados (25%). Utilice las velocidades bajas y evite los giros bruscos.

5. No corte el césped húmedo. La reducción de la tracción puede causar derrapes o pérdidas del control.
6. No opere el tractor en ninguna condición en la que se comprometan la tracción, la dirección o la estabilidad. Los neumáticos podrían deslizarse incluso si las ruedas están detenidas.
7. Evite arrancar y parar en una pendiente. Evite hacer cambios repentinos de velocidad o dirección. Haga los giros de forma lenta y gradual.
8. Tenga mucho cuidado al operar este tractor con el colector de césped y otros accesorios. Pueden comprometer la estabilidad del tractor. No utilice el colector de césped en pendientes superiores a 10 grados (17%).
9. No intente estabilizar el tractor poniendo el pie en el suelo.
10. Haga que todos los movimientos en las pendientes sean lentos y graduales. No realice cambios bruscos de velocidad o dirección. La aceleración repentina podría hacer que el frente del tractor se levantara y volcara rápidamente hacia atrás, lo que podría producir lesiones graves o la muerte.

Incendios y Combustible

1. Para evitar lesiones personales y daños materiales tenga mucho cuidado al manipular la gasolina. La gasolina es sumamente inflamable y sus vapores son explosivos. Si se derrama gasolina encima o sobre la ropa se puede lesionar gravemente ya que se podría prender fuego. Lávese la piel y cámbiese de ropa de inmediato.
2. Apague los cigarrillos, cigarros, pipas y toda otra fuente de combustión.
3. Utilice sólo recipientes para gasolina aprobados.
4. Nunca saque la tapa del combustible ni agregue combustible mientras el motor está caliente o en marcha. Deje que el motor se enfríe por lo menos cinco minutos antes de volver a cargar combustible.
5. Nunca cargue combustible en los tractores en interiores.
6. Nunca guarde el tractor o el recipiente de combustible en un espacio cerrado donde haya fuego, chispas o luz piloto, como por ejemplo de calentadores de agua, calefactores de ambientes, hornos, secadores de ropa u otros aparatos a gas.
7. Limpie la gasolina que se pueda haber derramado sobre el motor y el equipo. Limpie los derrames de combustible o de aceite y elimine los residuos empapados con gasolina. Traslade el tractor a otra zona. Espere 5 minutos antes de arrancar el motor.
8. Para reducir el riesgo de incendio, mantenga el tractor limpio de pasto, hojas y residuos acumulados. Siga las instrucciones de limpieza que figuran en la sección Servicio y Mantenimiento.
9. Su tractor fue diseñado para cortar césped residencial normal, con una altura no mayor de 10" (25 cm). No intente cortar césped demasiado crecido, seco (como un pastizal) ni pilas de hojas secas. El césped o las hojas que están secos pueden entrar en contacto con el escape del motor y/o acumularse en la plataforma del tractor presentando un potencial peligro de incendio.
10. Nunca llene en exceso el depósito de combustible. Llene el tanque no más de ½ pulgada por debajo de la base del cuello de llenado, para dejar espacio para la expansión del combustible.
11. Vuelva a colocar la tapa de la gasolina y ajústela bien. No opere el tractor si la tapa del combustible no está colocada en su lugar.
12. Deje que el tractor se enfríe por lo menos cinco minutos antes de cargarle combustible o guardarlo.
13. Nunca llene los recipientes en el interior de un vehículo o camión o caja de remolque con un recubrimiento plástico. Siempre ubique los recipientes en el piso, lejos del vehículo antes de llenarlos.
14. Cuando sea factible, retire el equipo a gasolina del camión o remolque y llénelo en el suelo. Si esto no es posible, recargue combustible sobre el remolque con un recipiente portátil, en lugar de una boquilla dosificadora de combustible.
15. En todo momento, mantenga el pico en contacto con el borde del depósito de combustible o con la boca del recipiente, hasta terminar la carga. No utilice un dispositivo de bloqueo/apertura de boquilla.

MEDIDAS DE SEGURIDAD

Transporte

1. Utilice rampas de ancho total bien sujetas para cargar y descargar un tractor para el transporte.
2. Tenga mucho cuidado al cargar o descargar el tractor en un remolque o camión. Este tractor no debe conducirse subiendo o bajando rampas, ya que el tractor podría volcar y provocar lesiones personales graves. El tractor se debe empujar a mano en rampas para cargarlo o descargarlo correctamente.
3. Eleve la plataforma hasta la posición más alta para tener separación para la carga.

Remolques con su Tractor

1. No remolque cargas que superen las 250 libras (113 kg) de peso de arrastre y nunca supere las 50 libras (22 kg) de peso sobre el punto de enganche.
2. No acople equipo remolcado excepto en el punto de enganche del tractor.
3. Nunca permita que los niños y otras personas se suban a equipos remolcados.
4. No remolque en pendientes de más de 5 grados (9%). En las pendientes, el peso del equipo remolcado puede causar pérdida de tracción y pérdida de control, y/o de la capacidad para detenerse.
5. Siempre tenga mucho cuidado al remolcar con un tractor capaz de hacer giros cerrados (por ejemplo, tractor de giro cerrado). Realice giros amplios para el acodillamiento.
6. Desplácese lentamente y deje distancia adicional para detenerse.

Servicio

1. Mantenga la máquina en buenas condiciones de funcionamiento. No use el tractor hasta que se reemplacen las piezas desgastadas o dañadas.
2. Para evitar lesiones graves o la muerte, no modifique el motor de ninguna manera. Si cambia la configuración del regulador, el motor podría funcionar a velocidades inseguras. Nunca modifique el ajuste de fábrica del regulador del motor. No cambie la configuración del regulador del motor ni acelere demasiado el motor. El regulador del motor controla la velocidad máxima de funcionamiento seguro del motor.
3. Las cuchillas del tractor son afiladas. Envuelva la cuchilla o utilice guantes y extreme las precauciones cuando les haga mantenimiento.
4. Los tractores que tienen motores, mangueras o bombas hidráulicas, y/o sistemas de inyección diesel tienen sistemas de líquidos bajo presión. El líquido que escapa a presión puede tener fuerza suficiente para penetrar la piel y causar lesiones graves. Si se inyecta líquido en la piel, consulte de inmediato a un médico. Mantenga el cuerpo y las manos alejados de los orificios de pasadores o los picos que expulsan líquido a alta presión. Si ocurre una pérdida, haga que un distribuidor autorizado realice el mantenimiento del tractor de inmediato.
5. Antes de limpiar, reparar o inspeccionar la máquina, compruebe que la(s) cuchilla(s) y todas las piezas móviles se hayan detenido. Apague el motor, saque la llave y desconecte los cables de la bujía y póngalos haciendo tierra contra el motor para evitar que se encienda accidentalmente.
6. Controle que las cuchillas se detengan completamente en no más de cinco (5) segundos después de desactivar el control de desactivación de las cuchillas según el intervalo que figura en la tabla del Programa de Mantenimiento dentro de la sección Servicio y Mantenimiento de este manual. Mida el tiempo hasta la detención con un cronómetro. Si las cuchillas no se detienen en este lapso, su máquina necesita un servicio profesional de un distribuidor autorizado.
7. Controle el correcto funcionamiento del sistema de enclavamiento de seguridad según el intervalo que figura en la tabla del Programa de Mantenimiento dentro de la sección Servicio y Mantenimiento de este manual. Si el sistema de enclavamiento de seguridad no funciona correctamente, lleve su tractor a hacerle un servicio profesional por un distribuidor autorizado.
8. Nunca altere el sistema de enclavamiento de seguridad u otros dispositivos de seguridad. Controle periódicamente que funcionen de forma adecuada.

9. Controle el par de ajuste del perno de montaje del motor y las cuchillas de acuerdo con la tabla del Programa de Mantenimiento de este manual. Además, inspeccione visualmente las cuchillas para detectar la presencia de daños (por ejemplo: desgaste excesivo, abolladuras, rajaduras). Reemplace las cuchillas por cuchillas de los fabricantes del equipo original (O.E.M.) únicamente.
10. El uso de piezas que no cumplen con las especificaciones del equipo original puede resultar en rendimiento inadecuado y poner en peligro la seguridad.
11. Mantenga todas las tuercas, pernos y tornillos bien ajustados para asegurarse de que el equipo está en condiciones de funcionamiento seguras. Revise la tabla del Programa de Mantenimiento que figura en este manual para obtener información sobre el intervalo de servicio.
12. Después de golpear algún objeto extraño, detenga el motor, desconecte los cables de la bujía y conéctelos a tierra con el motor. Revise el tractor cuidadosamente para detectar daños. Repare el daño antes de volver a arrancar y operar la máquina.
13. Nunca intente hacer ajustes o arreglos en el tractor con el motor en marcha.
14. Los componentes del colector de césped y el deflector del canal están sujetos a desgaste y daños lo que podrían dejar expuestas las piezas móviles o permitir que se arrojaran objetos. Verifique frecuentemente los componentes y reemplácelos inmediatamente por piezas del fabricante del equipo original (O.E.M.) únicamente.
15. Mantenga o reemplace las etiquetas de seguridad e instrucciones según sea necesario.
16. Respete las normas y reglamentaciones sobre la manera correcta de eliminar gasolina, aceite, etc. para proteger el medio ambiente.

Aviso sobre las Emisiones del Motor

Los motores tienen la certificación de cumplimiento de las reglamentaciones sobre emisiones federales de EPA y California para SORE (equipo pequeño para uso fuera de carreteras), funcionan con gasolina normal sin plomo y pueden incluir los siguientes sistemas de control de emisiones: Modificación de motor (EM) y catalizador de tres vías (TWC) si están equipados con esos sistemas.

Cuando sea necesario, los modelos están equipados con líneas de combustible y depósitos de combustible de baja penetración para controlar las emisiones por evaporación. Los modelos de California también pueden incluir un filtro de carbono. Por favor, póngase en contacto con Atención al Cliente para obtener información sobre la configuración del control de emisiones por evaporación para su modelo.

Amortiguador de Chispas

ADVERTENCIA

Este tractor está equipado con un motor de combustión interna y no debe ser utilizado en o cerca de un terreno agreste cubierto por bosque, malezas o hierba excepto que el sistema de escape del motor esté equipado con un amortiguador de chispas que cumpla con las leyes locales o estatales correspondientes (en caso de existir).




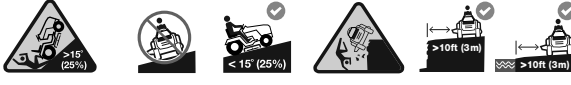


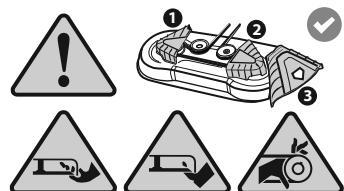
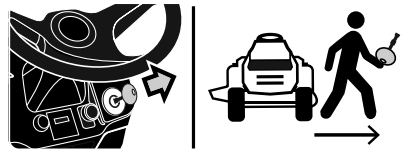
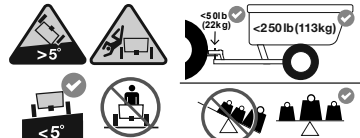
Si se utiliza un amortiguador de chispas el operador lo debe mantener en condiciones de uso adecuadas. En el Estado de California, las medidas anteriormente mencionadas son exigidas por ley (Artículo 4442 del Código de Recursos Públicos de California). Es posible que existan leyes similares en otros estados. Las leyes federales se aplican en territorios federales.

Puede conseguir el amortiguador de chispas para el silenciador a través de su distribuidor autorizado de motores más cercano o poniéndose en contacto con el departamento de servicios, P.O. Box 361131 Cleveland, Ohio 44136-0019.

MEDIDAS DE SEGURIDAD

Símbolos de Seguridad

En esta página, se presentan y describen los símbolos de seguridad que PUEDEN APARECER en este producto.

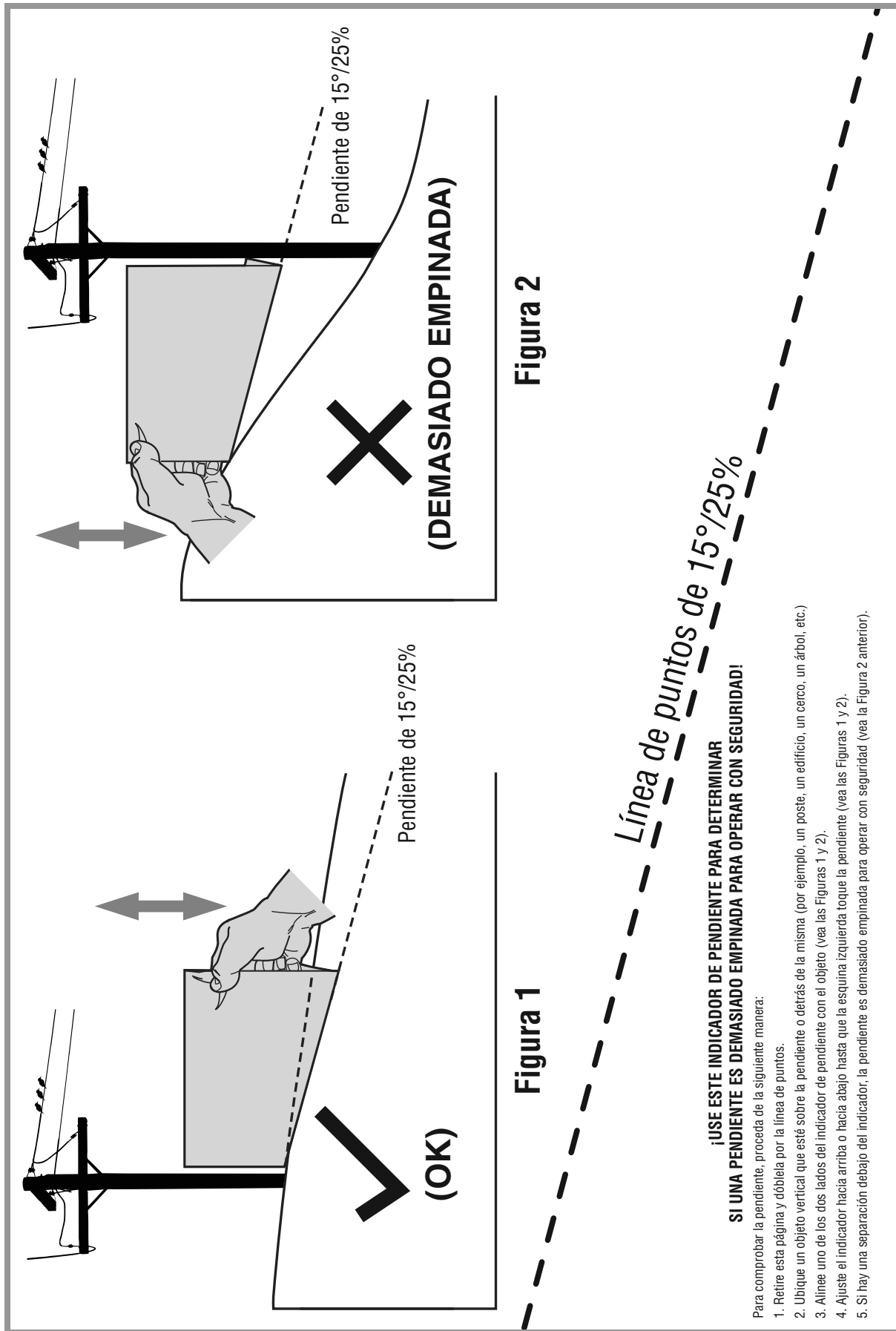
Símbolo	Descripción
 <p>OPESymbol.com</p>	<p>ADVERTENCIA – LEA EL MANUAL DEL OPERADOR Lea, entienda y cumpla todas las reglas e instrucciones de seguridad que se incluyen en el manual y en el tractor antes de intentar utilizar este tractor. Si no cumple con lo que indica esta información, se pueden provocar lesiones personales o la muerte. Conserve este manual en un lugar seguro para usarlo como referencia futura habitual. Con un teléfono inteligente, escanee el símbolo del código de QR para obtener más información sobre las advertencias incluidas en este tractor. También puede visitar www.OPESymbol.com para obtener más información.</p>
	<p>ADVERTENCIA – EVITE LESIONES POR OBJETOS ARROJADOS Mantenga a los asistentes por lo menos a 75' (23 metros) de la máquina durante la operación. Saque todas las piedras, palos, cables, huesos, juguetes y demás objetos extraños que puedan ser recogidos y arrojados por la(s) cuchilla(s). Nunca opere el tractor si no está bien colocada la cubierta de descarga o si no está instalado el colector de césped completo en el lugar que corresponde.</p>
	<p>ADVERTENCIA - EVITE LESIONES EN NIÑOS AL RETROCEDER/POR ATROPELLAR/POR CONTACTO CON LAS CUCHILLAS Para evitar accidentes al retroceder, siempre mire hacia atrás y hacia abajo para ver si hay niños. Nunca transporte niños, ni siquiera con las cuchillas desactivadas. Mantenga a los observadores, los niños y las mascotas en interiores durante la operación bajo la atenta supervisión de un adulto responsable que no sea el operador. Detenga el tractor si alguien entra en la zona.</p>
	<p>ADVERTENCIA - EVITE LESIONES POR VUELCOS No opere la máquina en una pendiente mayor de 15° (25%). No corte el césped subiendo y bajando pendientes, solo hágalo de forma transversal a las pendientes que son de menos de 15 grados (25%). Utilice las velocidades bajas y evite los giros bruscos en las pendientes. Manténgase a por lo menos 10 pies (3 metros) de barrancos, zanjas o terraplenes o del borde del agua.</p>
	<p>ADVERTENCIA - EVITE INCENDIOS Su tractor fue diseñado para cortar césped residencial normal, con una altura no mayor de 10" (25 cm). No intente cortar césped demasiado crecido, seco (como un pastizal) ni pilas de hojas secas. Deje que el tractor se enfríe por lo menos cinco minutos antes de cargarle combustible o guardarlo en un garaje cerrado o en una barraca de almacenamiento.</p>
	<p>ADVERTENCIA - EVITE LESIONES DE AMPUTACIÓN No ponga las manos ni los pies cerca o debajo de la plataforma de corte. El contacto con las cuchilla(s) puede amputar manos y pies.</p>
	<p>ADVERTENCIA - EVITE LESIONES DE AMPUTACIÓN No ponga las manos ni los pies cerca de las piezas rotatorias ni debajo de la plataforma de corte. El contacto con la(s) cuchilla(s) puede amputar manos y pies. Compruebe que todos los dispositivos de seguridad (protecciones, escudos, interruptores, etc.) estén en su lugar y funcionando. El contacto con las correas y/o el husillo de las cuchillas puede aplastar o lesionar las partes del cuerpo.</p>
	<p>ADVERTENCIA - SACAR LA LLAVE Apague siempre las cuchillas, ponga el freno de mano, pare el motor y saque la llave antes de bajarse. Si va a dejar el tractor sin supervisión, saque siempre la llave para evitar que niños u otras personas utilicen el tractor sin autorización.</p>
	<p>ADVERTENCIA - EVITE LAS LESIONES RELACIONADAS CON EL REMOLQUE No remolque cargas que superen las 250 libras (113 kg) de peso de arrastre y nunca supere las 50 libras (22 kg) de peso sobre el punto de enganche. Nunca permita que los niños y otras personas se suban a equipos remolcados. No remolque en pendientes de más de 5 grados (9%). En las pendientes, el peso del equipo remolcado puede causar pérdida de tracción y pérdida de control, y/o de la capacidad para detenerse. Desplácese lentamente y deje distancia adicional para detenerse.</p>

⚠ ADVERTENCIA

Su Responsabilidad — Limite el uso de esta máquina motorizada a las personas que lean, comprendan y respeten las advertencias e instrucciones que figuran en este manual y en la máquina.

¡GUARDE ESTAS INSTRUCCIONES!

INDICADOR DE PENDIENTE



¡ADVERTENCIA! Las pendientes son un factor importante relacionado con accidentes por tumbos y vuelcos que pueden producir lesiones graves o la muerte. No utilice la máquina en pendientes de más de 15°. Todas las pendientes requieren precaución extra. Si no puede retroceder por la pendiente o si no se siente seguro, no realice ningún corte. Siempre corte hacia arriba y hacia abajo de las pendientes, nunca de manera transversal.

MONTAJE

Nota: Este Manual del Operador corresponde a varios modelos. Las características pueden variar según los modelos. No todas las características que se incluyen en este manual se aplican a todos los modelos y el modelo que se ilustra aquí puede diferir del suyo.

Nota: Todas las referencias que contiene este manual a los lados derecho o izquierdo y trasero o delantero del tractor son siempre desde la posición de operación. Las excepciones, si las hubiere, serán especificadas.

Consulte la Figura 1 para identificar su tipo de transmisión; CVT (Transmisión Variable Continua) por Control a Pedal, o CVT, o hidrostática.

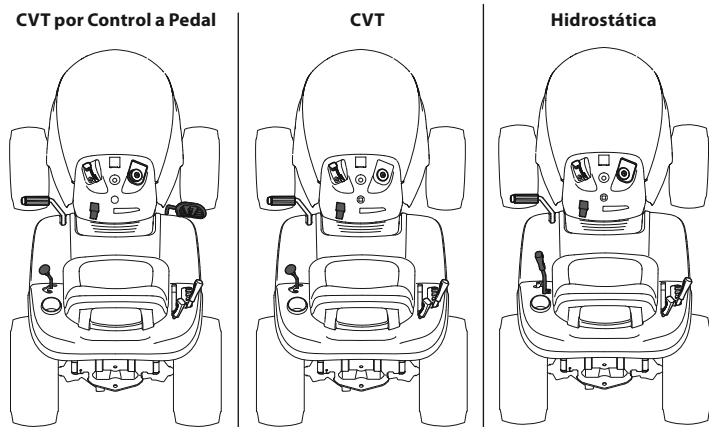


Figura 1

Movimiento Manual del Tractor

Modelos Hidrostáticos (si se incluye)

1. Saque el freno de mano si está activado.
2. Acople la varilla de derivación de la transmisión para mover el tractor manualmente sin ponerlo en marcha. La varilla de derivación de la transmisión está ubicada en la parte trasera del tractor, sobre el bastidor. Acople la varilla de derivación tirando hacia afuera y abajo. Consulte la Figura 2.

NOTA: Si el tractor no se mueve o no se mueve libremente al empujarlo compruebe si la varilla de derivación hidrostática está completamente abierta o si el freno está activado.

NOTA: La transmisión NO se accionará cuando la varilla de derivación hidrostática esté tirada hacia fuera. Regrese la varilla a su posición desactivada antes de operar el tractor.

3. Después de mover el tractor, desacople la varilla de derivación de la transmisión empujando la varilla hacia adentro.

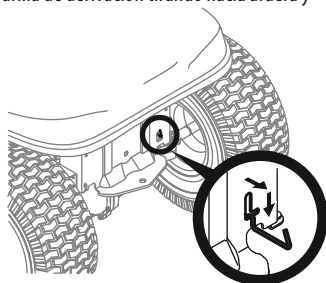


Figura 2

Modelos CVT o CVT por Control a Pedal (si se incluye)

1. Saque el freno de mano, si está activado.
2. Coloque la palanca de cambios en posición NEUTRAL (N).

Instale el asiento del operador (si corresponde)

Perilla de ajuste o Perno de ajuste

1. **NOTA:** El asiento se envía fijado al soporte de pivote del asiento del tractor con un precinto O instalado hacia atrás respecto del soporte de pivote. Para instalar el asiento, proceda de la siguiente manera: Quite el asiento de su posición de envío.
2. Quite la perilla de ajuste del asiento o perno de 9/16" (a) de la base del asiento (b). Consulte la Figura 3.
3. Alinee el asiento (b) sobre el soporte de pivote del asiento (c) como se muestra en la Figura 3 y coloque el asiento (b) sobre el soporte de pivote del asiento (c) insertando las dos lengüetas de la base del asiento (b) en el orificio ancho de las ranuras del soporte de pivote del asiento (c).

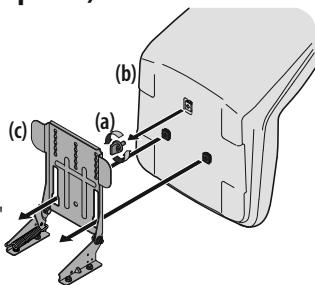


Figura 3

4. Deslice el asiento (b) hacia atrás en el soporte de pivote del asiento (c), alineando una de las ranuras del soporte de pivote del asiento (c) con el orificio que está en la parte posterior central de la base del asiento (b). Consulte la Figura 4.

NOTA: Asegúrese que las dos lengüetas del asiento se enganchen en el soporte de pivote del asiento, como se muestra en el recuadro inferior derecho de la Figura 4.

5. Seleccione la posición deseada del asiento (b) y fíjela con la perilla de ajuste o perno de 9/16" (a) que retiró en el Paso 2.

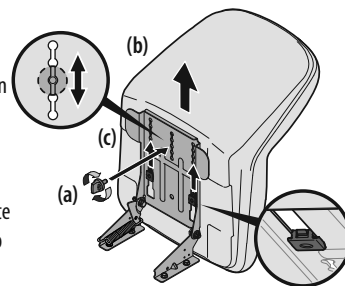


Figura 4

Palanca de Ajuste

NOTA: El asiento se envía con el interruptor de asiento y bandeja de asiento acoplados.

1. Corte cualquier tira que sujete el conjunto del asiento al tractor. Quite cualquier material de empaque.

NOTA: Tenga cuidado de no cortar accidentalmente el mazo de cables que conecta el asiento al interruptor de asiento.

2. Quite los dos tornillos con reborde (a) y las tuercas de seguridad con brida (b) de la bandeja del asiento tal como se muestra en la Figura 5.
3. Gire el asiento en su posición y deslice un destornillador Phillips por uno de los orificios de fijación del asiento y soporte del asiento para alinearlos.
4. Luego, con los tornillos con reborde (a) y las tuercas de seguridad con brida (b) previamente quitados, asegure un lado del asiento y soporte del asiento. Mientras sostiene el asiento, quite el destornillador Phillips y asegure el otro lado del asiento. Tenga cuidado de no doblar o dañar el mazo de cables mientras instala el asiento. Consulte la Figura 6. Ajuste hasta 84-103 pulgadas-libras (9.5-11.6 N-m).

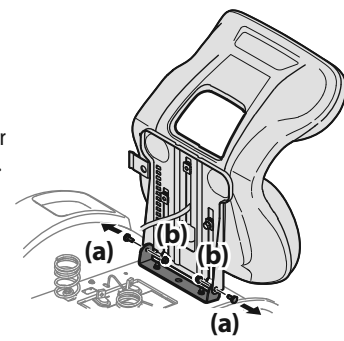


Figura 5

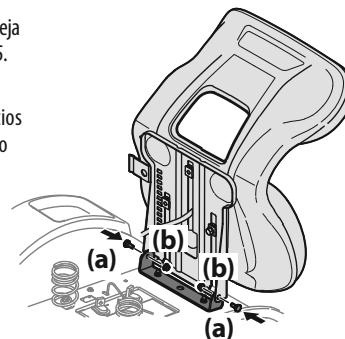


Figura 6

5. Usando la traba del mazo unida al mazo, asegure el exceso de cable al guardabarros colocando la traba del mazo en su lugar como se muestra en la Figura 7.

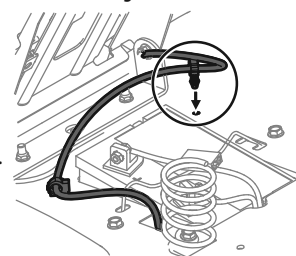


Figura 7

Cubierta del Tablero de Instrumentos (si se incluye)

1. Si la cubierta del tablero de instrumentos (a) fue despachada suelta, los elementos de ferretería para fijar la cubierta del tablero de instrumentos (a) se despachan instalados en la cubierta del tablero de instrumentos (a). Extraiga los dos pernos (b) que sujetan la cubierta del tablero de instrumentos (a). Consulte la Figura 8.
2. Monte la cubierta del tablero de instrumentos (a) y alinee los orificios que están entre la parte superior del tablero de instrumentos y la cubierta del tablero de instrumentos. Consulte la Figura 8.
3. Fije la cubierta del tablero de instrumentos (a) al tablero (c) con los pernos (b) que retiró en el Paso 1. Consulte la Figura 8.

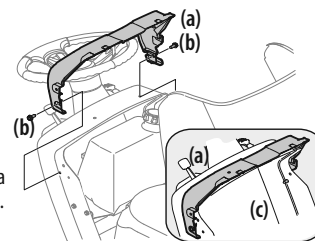


Figura 8

Instalación de la Tapa del Capó (si corresponde/si se incluye)

Nota: Tenga cuidado de no dañar el arnés de faros delanteros cuando instale la tapa del capó.

1. Corte los precintos que sujetan la tapa del capó al tractor.

MONTAJE

2. Retire los cuatro tornillos previamente instalados en la tapa del capó y guárdelos para el Paso 4.
3. Calce la tapa del capó en su lugar usando el capó como guía. Consulte la Figura 9.
4. Instale la tapa del capó sobre el capó del tractor y fije desde abajo con los cuatro tornillos que retiró en el Paso 2.



Figura 9

Instalación del Volante (si corresponde)

Los elementos de ferretería utilizados para instalar el volante han sido empaquetados dentro del volante, por debajo de la tapa del volante. Levante la tapa del volante con cuidado y quite los elementos de ferretería.

¡IMPORTANTE! No utilice herramientas de impacto para instalar o extraer el volante. Si lo hace, puede dar un torque en exceso y dañar la sujeción.

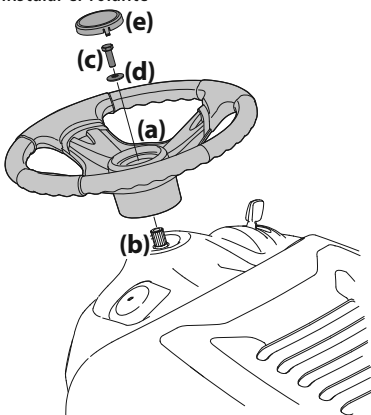


Figura 10

1. Retire la llave, que está adosada al volante con un precinto.
2. Con las ruedas delanteras del tractor apuntando hacia adelante, alinee el volante (a) y colóquelo en el eje de la dirección (b). Vea la Figura 10.
3. Asegure el volante (a) con el perno hexagonal (c) y arandela (d) desde debajo de la tapa del volante (e) y ajuste hasta 18-22 pies-libras (24.4-29.8 N-m).
4. Coloque la tapa del volante (e) sobre el centro del volante (a) y empuje hacia abajo hasta que haga clic al calzar en su lugar.

NOTA: El perno hexagonal (c) que asegura el volante (a) tiene sellador de rosca; de modo que si se lo extrae, se recomienda reemplazar el perno hexagonal (c) o volver a aplicarle sellador de rosca.

Deflector de Canal de Descarga de la Plataforma Inferior (si se incluye)

⚠ ADVERTENCIA

Nunca opere la plataforma de corte sin el deflector de canal instalado y en la posición baja.

Modelos con Plataforma de 46"

1. Retire las chavetas que están sujetas con una unión con cierre al soporte del canal.
2. Retire la tuerca de seguridad con brida y el tornillo hexagonal de la plataforma.
3. Ubique el deflector del canal en la plataforma, asegúrese de insertar las lengüetas de dicho deflector en los orificios de la plataforma. Consulte la Figura 11.
4. Deslice el deflector del canal hacia la parte posterior del tractor hasta que el orificio del perno que está en el deflector del canal quede alineado con el orificio de la plataforma. Consulte la Figura 11.
5. Sujete el deflector del canal en su lugar con la tuerca de seguridad con brida y el tornillo hexagonal que se extrajeron en el paso 2. Ajuste hasta 102-124 pulgadas-libras (11.5-14 N-m). Consulte la Figura 11. Pase a "Ajuste de las Ruedas de la Plataforma".

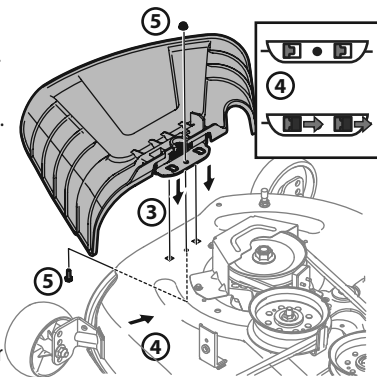


Figura 11

Modelos con Plataformas de 42"/50"/54"

1. Inspeccione la plataforma del tractor para ver si hay una traba de seguridad que pueda estar sujetando el deflector de canal hacia arriba para el envío. Si la traba está presente, se la debe extraer antes de hacer funcionar el tractor. Sosteniendo el deflector de canal totalmente hacia arriba, extraiga la traba de seguridad.
2. Baje el deflector de canal y descarte la traba de seguridad. Consulte la Figura 12.

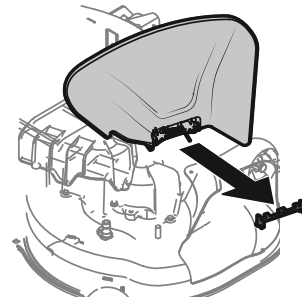


Figure 12

Nota: Los modelos con plataforma de 36" vienen equipados con adaptadores para abono en lugar de deflectores de canal y no se incluye ninguna traba de seguridad.

Instalación de las Ruedas de la Plataforma (si se incluyen)

NOTA: Las ruedas de la plataforma constituyen un mecanismo para el cuidado del césped y no fueron diseñadas para soportar el peso de la plataforma de corte.

1. Mueva el tractor a una superficie nivelada, preferentemente pavimentada.
2. Controle la presión de los neumáticos, ajuste si es necesario. Consulte los laterales de los neumáticos para averiguar la presión de inflado adecuada.
3. Asegúrese de que la plataforma esté nivelada de un lado a otro, y adecuadamente inclinada. Consulte en la sección Mantenimiento y Ajustes la información y las instrucciones para nivelar la plataforma.
4. Coloque la palanca de elevación de la plataforma en la posición de altura de corte deseada.
5. Controle si las ruedas están en contacto con la superficie de abajo o si hay una separación excesiva.

Nota: Las ruedas de la plataforma deben tener entre 1/4"-1/2" (6.35-12.7 mm) de separación del suelo. Proceda como se indica a continuación para ajustar las ruedas:

- a. Levante la palanca de elevación de la plataforma hasta su punto más alto.
- b. Retire las ruedas delanteras (a) y traseras (b) de la plataforma retirando las tuercas de seguridad con brida (c) y los tornillos con reborde (d) que las sujetan a la plataforma. Consulte la Figura 13.
- c. Coloque la palanca de elevación de la plataforma en el punto de altura de corte deseada.
- d. Vuelva a insertar el tornillo con reborde (con cada rueda de la plataforma) dentro del orificio de posicionamiento que deja aproximadamente 1/2 pulgada (13 mm) entre la parte inferior de la rueda y el pavimento. Apriete la tuerca de seguridad con brida y el tornillo con reborde hasta lograr entre 25 a 30 libras-pie (34-40 N-m) con una llave de torsión.

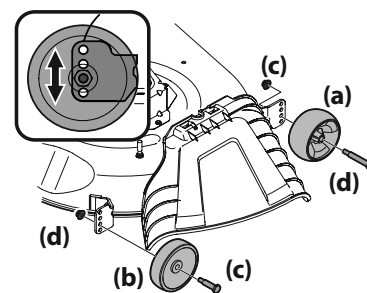


Figura 13

NOTA: Consulte Ajuste de la Plataforma en la sección Servicio y Mantenimiento de este manual para obtener instrucciones más detalladas sobre diferentes ajustes de la plataforma.

Información sobre la Batería

⚠ ADVERTENCIA

Advertencia de la Proposición 65 de California: Los contactos, bornes y accesorios afines de las baterías contienen plomo y compuestos de plomo, sustancias químicas que según lo establecido por el Estado de California causan cáncer y problemas reproductivos. Lávese las manos después de estar en contacto con estos componentes.

MONTAJE

⚠ ADVERTENCIA

En caso de que se produzca una salpicadura accidental de ácido en los ojos o la piel, enjuague el área afectada inmediatamente con agua limpia fría. Consulte a un médico inmediatamente.

Si el ácido salpica la ropa, en primer lugar dilúyalo con agua limpia, luego neutralícelo con una solución de agua/amoniaco o bicarbonato/agua.

NUNCA conecte (o desconecte) las abrazaderas del cargador de la batería a la batería si el cargador está encendido, ya que puede causar chispas.

Mantenga todas las fuentes de ignición (cigarrillos, cerillas, encendedores) alejadas de la batería. El gas generado durante la carga puede ser combustible.

Como precaución adicional, cargue la batería únicamente en un área bien ventilada.

Siempre proteja sus ojos y su piel y vestimenta cuando trabaje cerca de baterías.

Las baterías contienen ácido sulfúrico y pueden producir gases explosivos. Tenga sumo cuidado cuando manipule baterías. Mantenga las baterías lejos del alcance de los niños.

⚠ PRECAUCIÓN

Cuando coloque los cables de la batería, conecte siempre primero el cable POSITIVO (rojo) a su borne, y a continuación el cable NEGATIVO (negro).

Nota: El borne positivo de la batería está marcado como Pos. (+). El borne negativo de la batería está marcado como Neg. (-).

Conexión de los Cables de la Batería

⚠ ADVERTENCIA

Cuando coloque los cables de la batería, conecte siempre primero el cable POSITIVO (rojo) a su borne, y a continuación el cable NEGATIVO (negro).

Por razones relacionadas con el envío, la fábrica puede dejar los dos cables de la batería desconectados de los bornes. Para conectar los cables de la batería, proceda de la siguiente manera:

1. Retire la cubierta plástica, si está presente, del cable positivo de la batería. Conecte el cable rojo al borne positivo de la batería (+) utilizando el perno (a) y la tuerca hexagonal (b). Consulte la Figura 14.
2. Retire la cubierta plástica, si está presente, del borne negativo de la batería y conecte el cable negro al borne negativo de la batería (-) utilizando el perno (a) y la tuerca hexagonal (b). Consulte la Figura 14.
3. Coloque el capuchón de goma rojo (c) sobre el borne positivo de la batería para protegerlo contra la corrosión.

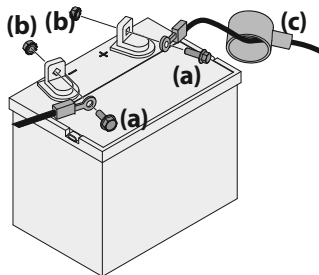


Figura 14

NOTA: Si la batería se pone en funcionamiento después de la fecha indicada en su parte superior o al costado de la misma, cárguela siguiendo las instrucciones de la sección Servicio y Mantenimiento de este manual antes de operar el tractor.

Mantenimiento de la Batería

- La batería se llena con ácido de batería y se sella en fábrica. Sin embargo, para asegurar un ciclo de vida adecuado es necesario realizar cierto mantenimiento, aún en las baterías sin mantenimiento.
- Rocíe los bornes y el cable expuesto con un sellador de bornes de batería, o recubra los bornes con una capa delgada de grasa o vaselina para protegerlos contra la corrosión.
- Siempre mantenga limpios y libres de corrosión los cables y los bornes de la batería.
- Evite inclinar la batería. Hasta una batería sellada pierde electrolito si se la inclina.

Almacenamiento de la Batería

- Cuando el tractor se guarda durante períodos prolongados, desconecte el cable negativo de la batería. No es necesario retirar la batería.
- Todas las baterías se descargan durante el almacenamiento. Mantenga el exterior de la batería limpio, especialmente la parte superior. Una batería sucia se descarga con mayor rapidez.
- La batería debe guardarse con carga completa. Una batería descargada se puede congelar más pronto que una batería cargada. Una batería con carga completa se guarda por más tiempo en temperaturas frías que en temperaturas altas.
- Vuelva a cargar la batería antes de volver a ponerla en servicio. Aun cuando el tractor pueda arrancar, el sistema de carga del motor tal vez no recargue totalmente la batería.

Retiro de la Batería

⚠ ADVERTENCIA

Los contactos, bornes y accesorios afines de las baterías contienen plomo y compuestos de plomo. Lávese las manos después de estar en contacto con estos componentes.

La batería está ubicada debajo del bastidor del asiento. Para retirar la batería:

1. Extraiga el soporte de sujeción de la batería empujando el extremo de acoplamiento hacia afuera de la lengüeta de la tapa de protección que está a la derecha de la batería. Luego levante el soporte de sujeción de la batería para liberar la batería. Consulte la Figura 15.
2. Retire el tornillo hexagonal y la tuerca Sems que fijan el conductor negativo negro de la batería al contacto negativo de la batería (marcado 'NEG'). Aleje el cable del contacto negativo de la batería.
3. Retire el tornillo de cabeza hexagonal y la tuerca Sems que fijan el conductor positivo rojo de la batería al contacto positivo de la batería (marcado 'POS').
4. Levante con cuidado la batería para sacarla del tractor.
5. Instale la batería repitiendo los pasos anteriores en orden inverso.

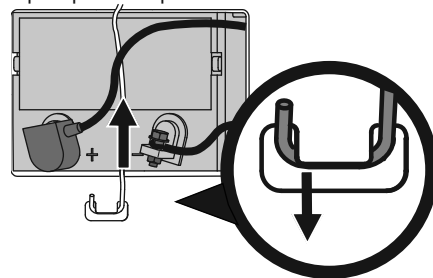


Figura 15

Carga de la Batería

Si el tractor ha estado guardado durante un tiempo, pruebe la batería y, si es necesario, recárguela.

- Un voltímetro o medidor de carga debería dar una lectura de 12.6 voltios (CC) o más en todos los bornes de la batería. Consulte la Figura 16.
- Cargue la batería con un cargador de batería de 12 voltios a un MÁXIMO de 10 amperios.

Lectura del voltímetro	Estado de carga	Tiempo de carga
12.7	100%	Carga completa
12.4	75%	90 min.
12.2	50%	180 min.
12.0	25%	280 min.

Figura 16

Ajuste del Asiento

Perilla de Ajuste o Perno de Ajuste

Para ajustar la posición del asiento, retire la perilla de ajuste o perno de 9/16" (a) que está en la parte inferior del asiento (b). Deslice el asiento (b) hacia adelante o hacia atrás, según lo desee. Vuelva a instalar la perilla de ajuste o el perno de 9/16" (a). Consulte la Figura 4.

Palanca de Ajuste

Para ajustar la posición del asiento, levante la palanca de ajuste del asiento. Deslice el asiento hacia adelante o hacia atrás hasta la posición deseada; luego suelte la palanca de ajuste. Asegúrese de que el asiento esté fijo en su posición antes de operar el tractor. Consulte la Figura 17.

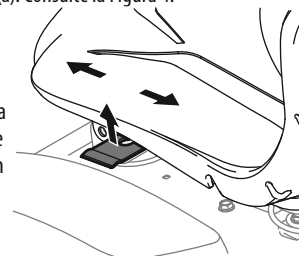


Figura 17

Aceite

NOTA: Su tractor se despacha con aceite en el motor. Sin embargo, usted DEBE controlar el nivel de aceite antes de hacerlo funcionar. Consulte en el manual del motor las instrucciones para controlar, agregar o cambiar el aceite.

⚠ PRECAUCIÓN

Controle siempre el nivel de aceite del motor antes de cada uso según se indica en el manual del operador del motor. Agregue aceite según sea necesario. De no hacerlo se pueden producir daños graves al motor.

FUNCIONAMIENTO

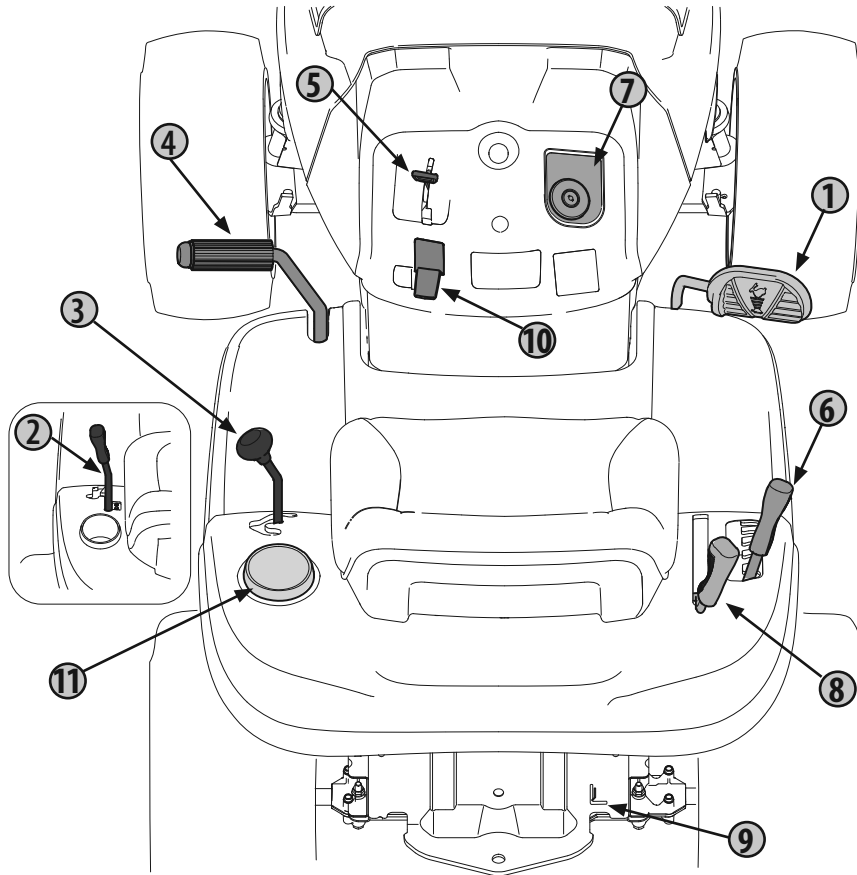


Figura 18

Nota: Este Manual del Operador corresponde a varios modelos. Las características del tractor pueden variar según los modelos. No todas las características que se incluyen en este manual se aplican a todos los modelos de tractor y la máquina que se ilustra aquí puede diferir de la suya.

NOTA: Las referencias a IZQUIERDA, DERECHA, ADELANTE Y ATRÁS indican esa posición desde el asiento del operador en el tractor, mirando hacia adelante.

1 Pedal de Marcha (Modelos CVT por Control a Pedal) (si se incluye)

Presione el pedal de marcha hacia adelante para que el tractor se mueva en esa dirección. Cuanto más se presione el pedal, más rápido se moverá el tractor. El pedal volverá a su posición original/neutral cuando no esté presionado.

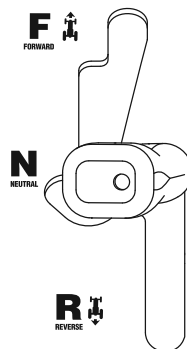
2 Palanca de Control de Velocidad (Modelos Hidrostáticos)

Para conducir hacia adelante o hacia atrás, lentamente mueva la palanca de control de velocidad a la velocidad deseada "F" avance o "R" marcha atrás.

Para detenerse, mueva la palanca de control de velocidad a la posición "N" neutral.

Para cortar el césped, coloque la palanca de control de velocidad en la posición "Velocidad de Corte" o una velocidad de avance menor para obtener los mejores resultados.

NOTA: NO utilice el pedal de freno para controlar la velocidad de piso del tractor cortacésped mientras conduce. Utilice siempre la palanca de control de velocidad para reducir la velocidad de piso del tractor. Si presiona el pedal de freno con la palanca de control de velocidad engranada como parte de la operación normal ocasionará el desgaste prematuro de la correa de transmisión.

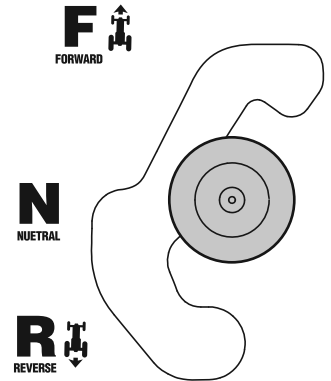


IMPORTANTE: NO cambiar la dirección de desplazamiento mientras el tractor está en movimiento. Puede causar daños graves a la transmisión del tractor. Siempre pare completamente el tractor antes de mover la palanca de control de velocidad desde la posición de avance a la de marcha atrás o vice versa.

3 Palanca de Cambios (Modelos CVT y CVT por Control a Pedal)

La palanca de cambios está ubicada del lado izquierdo del guardabarros y tiene tres posiciones: AVANCE (F), NEUTRAL (N) Y MARCHA ATRÁS (R). Cuando mueva la palanca de cambios, debe presionar el pedal del freno y el tractor no debe estar en movimiento.

IMPORTANTE: Nunca fuerce la palanca de cambios. De hacerlo, puede dañarse seriamente la transmisión del tractor.



4 Pedal de Freno/Pedal de Freno-Embrague

Presione el pedal de freno/ pedal de freno-embrague mientras el tractor está en uso para detener el tractor, para cambiar de cambio (modelos CVT y CVT por control a pedal) y para aplicar el freno de mano.

Nota: el pedal de freno/pedal de freno-embrague debe estar totalmente presionado para encender el motor. Consulte más información en el Sistema de Enclavamiento de Seguridad.

5 Palanca de Control del Acelerador o Acelerador/Cebador

Algunos modelos tienen un dispositivo de cebado automático. Estos modelos no vienen con una función de cebado manual. Empuje la palanca de control del acelerador o acelerador/cebador hacia adelante para aumentar la velocidad del motor. El tractor está diseñado para que funcione con la palanca de control del acelerador/cebador en aceleración máxima FAST (rápida) cuando se conduce el tractor y se engancha la plataforma de la cortadora de césped. Tire de la palanca de control del acelerador/cebador hacia atrás para reducir la velocidad del motor. Cuando encienda el motor, empuje la palanca de control totalmente hacia adelante a la posición "CHOKE" (cebador), si tuviese una palanca de control de acelerador/cebador. Después de encender y calentar el motor, mueva la palanca de control hacia atrás hasta que sienta que pasa el bloqueador del cebador. El objetivo del acelerador no es controlar la velocidad de la unidad, sino que debe permanecer a alta velocidad mientras se operan las cuchillas.

6 Palanca de Elevación de la Plataforma

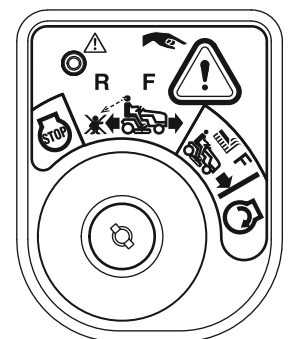
La palanca de elevación de la plataforma se usa para subir o bajar la plataforma. Tire de la palanca hacia la izquierda para sacarla de la muesca de posicionamiento y empuje hacia abajo para bajar la plataforma o hacia arriba para subirla. Cuando se alcance la altura deseada, mueva la palanca de elevación a la derecha hasta que quede bien enganchada en la muesca de posicionamiento.

7 Interruptor de Encendido

⚠ ADVERTENCIA

Nunca deje un tractor en funcionamiento sin vigilancia. Siempre desconecte la PTO, ponga el freno de mano, pare el motor y retire la llave, para evitar que el motor arranque accidentalmente.

Consulte información sobre Cómo arrancar el motor en la sección Arranque del Motor. Consulte instrucciones sobre cómo detener el motor en la sección Detención del Motor.



FUNCIONAMIENTO

ADVERTENCIA

Antes de operar el tractor, consulte los títulos **Sistema de Enclavamiento de Seguridad y Arranque del Motor** en la sección de Funcionamiento de este manual para ver instrucciones detalladas sobre el Módulo Interruptor de Encendido y el funcionamiento del tractor en el **MODO PRECAUCIÓN MARCHA ATRÁS**.

8 Palanca de PTO (Acople de Cuchillas)

Al activar la palanca de PTO (Acople de Cuchillas), se transmite energía a la plataforma de corte o a otros accesorios (disponibles por separado). Consulte información e instrucciones sobre cómo usar la PTO en la sección Activación de la PTO (Acople de Cuchillas).

9 Varilla de Derivación de Transmisión (Modelos Hidrostáticos)

Cuando se engancha, la varilla abre una derivación dentro de la transmisión hidrostática, lo cual permite empujar el tractor a mano distancias cortas. Consulte en la sección Montaje las instrucciones para el uso de la función de derivación.

10 Palanca de Control del Freno de Mano o Freno de Mano/Marcha CVT

La Palanca de Control del Freno de Mano o de Freno de Mano/Marcha CVT se usa para aplicar el freno de mano y fijar la velocidad de marcha de los modelos CVT. Consulte la sección Conducción del Tractor de este manual para ver instrucciones detalladas sobre el freno de mano.

Nota: Si el operador abandona el asiento y deja el motor funcionando, deberá colocar el freno de mano, o el motor se apagará de forma automática.

11 Portavasos

El portavasos está ubicado a la izquierda del asiento del operador.

Faros (no se muestran)

En algunos tractores, las luces se ENCIENDEN cada vez que se saca la llave de ignición de la posición STOP (detención). Las luces se APAGAN cuando se coloca la llave de encendido en la posición STOP.

En algunos tractores, las luces se ENCIENDEN únicamente cuando el motor está funcionando. Si APAGA el tractor, las luces se APAGARÁN.

Funcionamiento

Antes de Hacer Funcionar el Tractor

- Antes de la operación, consulte la tabla del Programa de Mantenimiento que aparece en este manual para conocer los componentes que tienen mantenimiento programado regular.
- Se certifica que este motor funciona únicamente con gasolina sin plomo, nueva y limpia. Llène únicamente con gasolina sin plomo, nueva y limpia, en un surtidor que indique un octanaje igual a 87 o más.
- No use gasolina que haya quedado de la temporada anterior, para minimizar la formación de depósitos de goma en el sistema de combustible.
- El gasohol (hasta 10% de alcohol etílico, 90% de gasolina sin plomo por volumen) es un combustible aprobado. No se aprueba el uso de otras mezclas de gasolina/alcohol.
- El éter metílico terciario-butilico (MTBE) y las mezclas de gasolina sin plomo (hasta un máximo de 15% de MTBE por volumen) son combustibles aprobados. No se aprueba el uso de otras mezclas de gasolina/éter.

Sistema de Enclavamiento de Seguridad

ADVERTENCIA

No opere el tractor si el sistema de enclavamiento de seguridad funciona mal. Este sistema fue diseñado para brindarle seguridad y protección.

Este tractor está equipado con un sistema de enclavamiento de seguridad para protección del operador. Si el sistema de enclavamiento funciona mal, no se debe hacer funcionar el tractor. Comuníquese con un distribuidor de servicio autorizado.

- El sistema de enclavamiento de seguridad impide que el motor arranque o se encienda a menos que esté colocado el freno de mano, o que el operador esté en el asiento y el pedal de freno esté totalmente presionado, con la palanca de PTO (Acople de Cuchillas) en la posición desacoplada (OFF).
- Si el operador abandona su asiento antes de poner el freno de mano, el motor se APAGARÁ automáticamente.
- El motor se apagará automáticamente si el operador abandona el asiento del tractor con la palanca de PTO (Acople de Cuchillas) en la posición ACOPLADA (ON), independientemente de si el freno de mano está colocado o no.
- Con la llave de contacto en la posición MODO MARCHA NORMAL, el motor se APAGARÁ automáticamente si la palanca de PTO (Acople de Cuchillas) se mueve a la posición acoplada (ON) con la palanca de cambios en la posición MARCHA ATRÁS (R).

Control de los Circuitos del Enclavamiento de Seguridad

Controle periódicamente los circuitos del enclavamiento de seguridad para estar seguro de que funcionan adecuadamente. Si algún circuito de seguridad no funciona según el diseño, póngase en contacto con el distribuidor de servicio autorizado para que inspeccione el tractor. NO use el tractor si algún circuito de seguridad no está funcionando adecuadamente. Para controlar los circuitos de seguridad proceda de la siguiente manera:

1. Con el motor apagado y sentado en el asiento, coloque la palanca PTO en la posición ACOPLADA (ON). Gire el interruptor de encendido a la posición START (arranque) momentáneamente; el motor no debería intentar arrancar.
2. Con el tractor en marcha, y el freno de mano no aplicado, levante hacia arriba desde el asiento del operador. El motor debería detenerse.
3. Con el freno de mano activado, encienda la PTO. Levante hacia arriba desde el asiento del operador; el motor debería detenerse.

Arranque del Motor

PRECAUCIÓN

El operador debe estar sentado en el asiento del tractor al arrancar el motor.

1. Inserte la llave de encendido en el interruptor de encendido.
 2. Coloque la palanca de PTO (Acople de Cuchillas) en la posición OFF.
 3. Ponga el freno de mano del tractor.
 4. Empuje el control del acelerador hacia arriba. Si se incluye una palanca de control del acelerador/cebador, empuje esta palanca hasta que pase la posición del bloqueo, para activar el cebador.
- Nota:** Si el motor está caliente, tal vez no sea necesario cebar el motor.
5. Gire la llave de encendido en el sentido de las agujas del reloj hasta la posición START (arranque). Una vez que arranque el motor, suelte la llave. Volverá a la posición de NORMAL MOWING (corte normal).

PRECAUCIÓN

NO mantenga la llave en la posición START (arranque) durante más de diez segundos por vez. Si lo hace, puede ocasionar daños al arrancador eléctrico del motor.

6. Para modelos equipados con una palanca de control de acelerador/cebador: a medida que se calienta el motor, gradualmente tire de la palanca de control del acelerador/cebador hacia atrás hasta pasar la posición de bloqueo del cebador. No use la posición del cebador para enriquecer la mezcla de combustible, a menos que sea necesario para arrancar el motor.
7. Deje que el motor funcione unos cuantos minutos a una aceleración intermedia antes de someterlo a carga.

Nota: Cuando haga funcionar el tractor asegúrese de que la palanca del acelerador esté siempre en la posición FAST (rápida).

FUNCIONAMIENTO

Uso de Cables de Arranque para Encender el Motor

⚠ ADVERTENCIA

Las baterías contienen ácido sulfúrico y producen gases explosivos. Asegúrese de que el área esté bien ventilada, use guantes y protectores de ojos y evite chispas o llamas cerca de la batería.

Si la carga de la batería no es suficiente para dar arranque al motor, vuelva a cargar la batería. Si no dispone de un cargador de batería y debe arrancar el tractor, será necesario usar una batería de urgencia. Conecte la batería de urgencia de la siguiente forma:

1. Conecte el extremo de un cable al terminal positivo de la batería del tractor que no funciona; luego conecte el otro extremo de ese cable al terminal positivo de la batería de urgencia.
2. Conecte un extremo del otro cable al terminal negativo de la batería de urgencia; luego conecte el otro extremo de ese cable al bastidor del tractor que no funciona, a la mayor distancia posible de la batería.
3. Arranque el tractor que no funciona según las instrucciones de arranque normales indicadas más arriba; luego desconecte los cables de puente en orden exactamente inverso al de la conexión.
4. Haga controlar y reparar el sistema eléctrico del tractor lo más pronto que fuere posible, para eliminar la necesidad de usar cables de puente para arrancarlo.

Detención del Motor

1. Si las cuchillas están acopladas, coloque la palanca de PTO (Acople de Cuchillas) en la posición OFF.
2. Coloque el freno de mano del tractor.
3. Coloque el control del acelerador a distancia media entre las posiciones de velocidad RÁPIDA y velocidad LENTA.
4. Gire la llave de encendido en sentido contrario a las agujas del reloj a la posición STOP (parar).

Conducción del Tractor

⚠ ADVERTENCIA

- Haga que todos los movimientos del pedal de marcha (si se incluye), de la Palanca de Control de Velocidad (si se incluye) y del pedal de freno sean lentos y suaves. El movimiento abrupto del pedal de marcha o del pedal de freno puede afectar la estabilidad del tractor y podría hacer que el tractor se voltee, con el resultado de lesiones graves o incluso la muerte del operador.
- Los giros bruscos pueden afectar el control del tractor. Conduzca SIEMPRE el tractor lentamente antes de realizar giros bruscos.
- No abandone el asiento del tractor sin antes colocar la PTO (Acople de Cuchillas) en la posición DESACOPADA (OFF) y aplicar el freno de mano. Si deja el tractor sin vigilancia, también apague el motor y retire la llave de encendido.

Hidrostática

1. Mueva la palanca de control del acelerador hasta la posición FAST.
2. Presione el pedal de freno y mueva la palanca del freno de mano para liberar el freno de mano.
3. Para conducir hacia ADELANTE, mueva lentamente la palanca de control de velocidad hacia adelante hasta alcanzar la velocidad deseada.
4. Para conducir MARCHA ATRÁS, verifique que el área de atrás esté despejada; luego mueva lentamente hacia atrás la palanca de control de velocidad hasta alcanzar la velocidad deseada.
5. Cuanto más se mueva la palanca hacia adelante o hacia atrás, más rápido se moverá el tractor.
6. **Para parar**, mueva la palanca de control de velocidad a la posición NEUTRAL (N).

CVT

1. Mueva la palanca de control del acelerador hasta la posición FAST.
2. Presione el pedal de freno-embrague y mueva la palanca de control del Freno de Mano/Marcha CVT a la velocidad deseada para sacar el tractor de la posición de freno de estacionamiento y fijar la velocidad deseada.

IMPORTANTE: Los operadores primerizos deben usar las posiciones de velocidad 1 o 2. Familiarícese por completo con el funcionamiento y los controles del tractor antes de hacerlo funcionar a velocidades más altas.

3. Coloque la palanca de cambios en la posición AVANCE (F) o MARCHA ATRÁS (R).

⚠ ADVERTENCIA

NO use la palanca de cambios para cambiar la dirección de desplazamiento mientras el tractor está en movimiento. Use siempre el pedal de freno-embrague para hacer parar el tractor por completo antes de hacer el cambio.

4. Suelte el pedal de freno-embrague lentamente para poner el tractor en movimiento.
5. Para detenerse, presione el pedal de freno-embrague.

Si el tractor se detiene con el control de velocidad en la posición de alta velocidad, o si el tractor no funciona con la palanca de control de velocidad en la posición de baja velocidad, realice lo siguiente:

1. Presione el pedal de freno-embrague.
2. Coloque la palanca de cambios en posición NEUTRAL (N).
3. Vuelva a arrancar el motor.
4. Coloque la Palanca de Control de Marcha CVT en la velocidad más alta.
5. Suelte completamente el pedal de freno-embrague.
6. Presione el pedal de freno-embrague.
7. Coloque la Palanca de Control de Marcha CVT en la posición deseada.
8. Coloque la palanca de cambios en la posición AVANCE (F) o MARCHA ATRÁS (R), y siga el procedimiento normal de operación.

CVT por Control a Pedal

1. Mueva la palanca de control del acelerador hasta la posición FAST.
2. Presione el pedal de freno y saque la Palanca de Control de Freno de Mano/Marcha CVT de la posición Freno de Mano.
3. Coloque la palanca de cambios en la posición AVANCE (F) o MARCHA ATRÁS (R).
4. Suelte completamente el pedal de freno-embrague.
5. Comience gradualmente a ejercer presión sobre el pedal de marcha. Cuanto más abajo presione el pedal, más rápido se desplazará el tractor en la dirección deseada según la posición de la palanca de cambios.
6. Detenga el tractor soltando el pedal de marcha y luego presionando el pedal de freno.

Aplicación del Freno de Mano

Nota: Si el operador abandona el asiento y deja el motor funcionando, deberá colocar el freno de mano, o el motor se apagará de forma automática.

Para poner el freno de mano:

1. Presione el pedal de freno (modelos hidrostáticos) o el pedal de freno-embrague (modelos CVT o CVT por Control a Pedal) a fondo con su pie izquierdo y manténgalo en esa posición.
2. Mueva la palanca de Freno de Mano (modelos de Transmisión Hidrostática y modelos de marcha CVT por Control a Pedal) o la palanca de Control del Freno de Mano/Marcha CVT (modelos CVT) hacia abajo por completo hasta que quede en la posición de Desacople de Freno de Mano.
3. Retire el pie del pedal de freno/pedal de freno-embrague.

Después de completar el paso 3, el pedal de freno debe permanecer en la posición abajo. Si no lo hace, el freno de mano *no* está activado. Repita los pasos 1 a 3 para activar el freno de mano.

FUNCIONAMIENTO

Cómo Desactivar el Freno de Mano

Presione el pedal de freno/pedal de freno-embrague y saque la palanca de Control de Freno de Estacionamiento/Marcha CVT de la posición ACOPLADA y colóquela en la posición DESACOPLADA en el caso de los modelos de transmisión Hidrostática y CVT por Control a Pedal. Para los modelos CVT, presione el pedal de freno/pedal de freno-embrague y saque la palanca de freno de mano de la posición ACOPLADA y colóquela en la velocidad deseada.

Modo Precaución Marcha Atrás (si se incluye)

La posición MODO PRECAUCIÓN MARCHA ATRÁS del interruptor de encendido permite operar el tractor marcha atrás con la PTO (Acople de Cuchillas) en la posición acoplada (ON).

Nota: No se recomienda cortar el césped en marcha atrás.

⚠ ADVERTENCIA

Tenga mucho cuidado cuando opere el tractor en MODO PRECAUCIÓN MARCHA ATRÁS. Mire siempre hacia abajo y detrás de usted antes y durante la marcha atrás. No haga funcionar el tractor cuando haya niños u otras personas cerca. Detenga el tractor inmediatamente si alguien se acerca.

Para usar el MODO PRECAUCIÓN MARCHA ATRÁS:

Nota: El operador DEBE estar sentado en el asiento del tractor.

1. Ponga en marcha el motor como se indicó previamente.
2. Gire la llave de encendido de la posición CORTE NORMAL (a) a la posición MODO PRECAUCIÓN MARCHA ATRÁS (b) del interruptor de encendido. Consulte la Figura 18.
3. Presione y sostenga el BOTÓN MODO PRECAUCIÓN MARCHA ATRÁS (c) que está en la esquina superior derecha del módulo de encendido durante 3 segundos. La luz indicadora roja (d) que está en la esquina superior izquierda del módulo de encendido se mantendrá ENCENDIDA mientras esté el modo esté activado. Consulte la Figura 19.
4. Una vez activado (luz indicadora ENCENDIDA), se puede operar el tractor en marcha atrás con la PTO (Acople de cuchillas) en la posición acoplada (ON).
5. Siempre mire hacia abajo y hacia atrás antes y mientras se desplaza lentamente en marcha atrás, para asegurarse de que no haya niños en el área. Luego de retomar la marcha hacia adelante, vuelva la llave a la posición de CORTE NORMAL (a) para volver a la operación de corte normal.

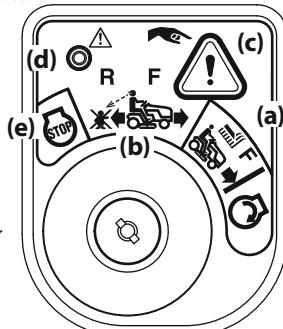


Figura 19

El MODO PRECAUCIÓN MARCHA ATRÁS (b) permanecerá activado hasta que:

- a. La llave se coloque ya sea en la posición CORTE NORMAL (a) o la posición STOP (detención) (e).
- b. El operador abandone el asiento (PTO eléctrica)/se ponga el freno de mano (PTO manual).

Cómo Activar la PTO (Acople de Cuchillas)

Al activar la PTO (Acople de Cuchillas) se suministra alimentación a la plataforma de corte. Para activar la PTO:

1. Mueva el acelerador a la posición de velocidad RÁPIDA.
2. Empuje la palanca de PTO (Acople de Cuchillas) hacia adelante hasta la posición acoplada (ON). Consulte la Figura 20.
3. Para desactivar la PTO (Acople de Cuchillas), tire de la palanca para atrás, hasta que quede en la posición OFF de PTO (Acople de Cuchillas) desacoplada.

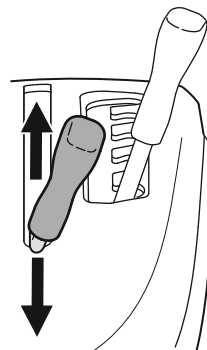


Figura 20

Corte del Césped

⚠ ADVERTENCIA

Para ayudar a evitar el contacto con las cuchillas o una lesión por algún objeto que sea arrojado, mantenga a las personas que lo observan, a los ayudantes, niños y mascotas alejados al menos 25 metros de la máquina mientras está en funcionamiento. Pare la máquina si alguien ingresa al área.

⚠ ADVERTENCIA

Asegúrese de que el área donde se va a cortar esté libre de desechos, ramitas, piedras, cables u otros objetos que puedan ser arrojados por las cuchillas rotativas.

Nota: no accione la plataforma de la cortadora cuando esté apoyada sobre el césped. Se produce el desgaste prematuro y la posible falla de la correa en "V" y del embrague de la PTO. Antes de accionar la plataforma de la cortadora, levante totalmente la plataforma o lleve la máquina a un área donde no haya césped.

- Corte hacia arriba y abajo de las pendientes, no en forma transversal. Si corta el césped en pendiente, comience por la base y desplácese hacia arriba para asegurar que siempre se gire cuesta arriba.
- No corte a alta velocidad absoluta, especialmente si tiene instalado un kit de abono o un colector de césped.
- No corte el césped demasiado corto. El césped corto fomenta el crecimiento de maleza y se pone amarillo rápidamente cuando escasea la lluvia.
- Siempre haga funcionar el tractor con el acelerador en la posición FAST (rápida) mientras corta el césped.
- Al realizar la primera pasada elija un punto del lado opuesto del área a cortar. Siga el punto para mantener una línea recta.
- Active PTO y mueva el control del acelerador o del acelerador/cebador a la posición FAST (rápida).
- Baje la plataforma de corte al valor de altura deseado.
- Para obtener los mejores resultados, se recomienda realizar las dos primeras vueltas de corte con la descarga hacia el centro. Después de las dos primeras pasadas, cambie la dirección para arrojar la descarga hacia afuera, para equilibrar el corte. Esto otorgará un mejor aspecto al césped.

Nota: La velocidad del tractor afecta la calidad del corte que realiza la cortadora. Si realiza el corte a máxima velocidad la calidad se ve afectada negativamente.

- Su tractor fue diseñado para cortar césped residencial normal, con una altura no mayor de 10" (25 cm). No intente cortar césped demasiado crecido, seco (como un pastizal) ni pilas de hojas secas. El césped o las hojas que estén secos pueden entrar en contacto con el escape del motor y/o acumularse en el tractor.
- NO intente cortar malezas frondosas o césped sumamente alto. El tractor fue diseñado para cortar el césped, NO para podar malezas.
- Mantenga las cuchillas afiladas y cámbielas cuando se gasten.
- Cuando se acerque al otro extremo de la franja, reduzca la velocidad o deténgase antes de girar. Se recomienda un giro de tres puntos.
- Alinee la cortadora de césped con un borde de la franja cortada y superponga la pasada aproximadamente 3" (7.6 cm).
- Oriente el tractor en cada franja subsiguiente de modo que se alinee con la franja ya cortada.
- Para evitar la formación de surcos o ranuras en el césped, en lo posible varíe la dirección de las franjas de corte aproximadamente 45° en cada corte subsiguiente.

Siempre que detenga el tractor por cualquier razón en un área de césped, haga lo siguiente:

- Aplique el freno de mano.
- Apague el motor y extraiga la llave de encendido.
- Eso permitirá reducir al mínimo la posibilidad de que su césped resulte "quemado" por el escape caliente del motor en funcionamiento.

SERVICIO Y MANTENIMIENTO

PROGRAMA DE MANTENIMIENTO

ADVERTENCIA

Antes de realizar cualquier tipo de mantenimiento o servicio, desactive todos los controles y detenga el motor. Espere a que se detengan completamente todas las piezas móviles. Desconecte el cable de la bujía de encendido y póngalo haciendo masa contra el motor para evitar que se encienda accidentalmente. Utilice siempre anteojos de seguridad durante el funcionamiento o mientras ajusta o repara este equipo.

Siga el programa de mantenimiento que se presenta a continuación. En esta tabla sólo se describen pautas de servicio.

Consulte el Manual del Operador del Motor para obtener información sobre las tareas de mantenimiento del motor que se enumeran en la tabla a continuación.

*-- Realice esta acción con mayor frecuencia en condiciones de sequía y/o cuando haga abono

	Antes de Cada uso	Después de las primeras 5 horas	Cada 10 horas	Cada 25 horas	Cada 50 horas	Cada 100 horas	Cada 200 horas	Antes de almacenar	Consulte el Manual del motor
Verifique/limpie los filtros de admisión del motor y ventiladores de refrigeración #	✓							✓	
Verifique/limpie el colector de escape, tubo del silenciador y los protectores del silenciador #	✓							✓	
Verifique/limpie la parte de arriba y de abajo de la plataforma y debajo y alrededor de las cubiertas de husillos y área de correas #	✓							✓	
Verifique/limpie alrededor de los fusibles, cableado y mazos de cables #	✓							✓	
Verifique/limpie alrededor de la transmisión, eje y ventiladores #	✓							✓	
Revise si el filtro de aire tiene piezas sucias, sueltas o dañadas	✓								
Controle el nivel de aceite del motor	✓								
Limpie los bornes de la batería			✓					✓	
Engrase todos los puntos de lubricación			✓					✓	
Revise el filtro de admisión del motor/limpie según sea necesario			✓					✓	
Revise las cuchillas/afile o reemplace según sea necesario			✓					✓	
Verifique la presión de aire de los neumáticos			✓					✓	
Revise/limpie la parte de abajo de la plataforma			✓						
Controle el sistema de enclavamiento de seguridad			✓					✓	
Verifique el tiempo de detención de las cuchillas			✓					✓	
Inspeccione y lubrique las ruedas de la plataforma				✓				✓	
Control el nivel/inclinación de la plataforma				✓				✓	
Controle las correas y poleas para ver si están dañadas/desgastadas					✓				
Compruebe que todos los elementos de ferretería estén en su lugar y seguros						✓			
Compruebe el par de ajuste de los pernos de montaje del motor (Ajuste hasta 325-450 pulgadas-libras (37-50 N-m))		✓			✓			✓	✓
Compruebe el par de ajuste de los pernos de montaje de las cuchillas (Ajuste hasta 70-90 pies-libras (95-122 N-m))		✓			✓			✓	
Controle el estado y la separación de la bujía de encendido						✓		✓	✓
Cambio del aceite de asentamiento del motor		✓							✓
Cambie el aceite del motor					✓			✓	✓
Controle el sistema de combustible (circuitos, depósito, tapón, accesorios)		✓			✓			✓	✓
Controle el amortiguador de chispas		✓			✓			✓	✓
Reemplace el filtro de aceite					✓			✓	✓
Limpie o cambie el filtro de aire					✓				✓
Reemplace el filtro de combustible					✓				✓
Haga revisar y ajustar la holgura de la válvula *									✓

* -- Solicite a un distribuidor de servicio autorizado que realice este servicio

-- Realice esta acción con mayor frecuencia en condiciones de sequía y/o cuando haga abono

SERVICIO Y MANTENIMIENTO

Nota: Este Manual del Operador corresponde a varios modelos. Las características del tractor pueden variar según los modelos. No todas las características que se incluyen en este manual se aplican a todos los modelos de tractor y la máquina que se ilustra aquí puede diferir de la suya.

Cuidado del Tractor Posterior al Funcionamiento

Cada vez que se utilice el tractor, se deben implementar los siguientes procedimientos para extender su vida útil y garantizar condiciones de operación seguras.

⚠ ADVERTENCIA

Si no se siguen estas recomendaciones, usted u otras personas podrían sufrir lesiones graves, o se podría dañar el tractor.

Limpeza de la Parte Inferior de la Plataforma

Deck Wash System™ (si está incluido)

La plataforma del tractor puede estar equipada con un puerto de agua sobre su superficie como parte del sistema de lavado de la plataforma.

Utilice el sistema de lavado de la plataforma para lavar la parte inferior de la plataforma y quitar los restos de césped recortado e impedir la acumulación de sustancias químicas corrosivas.

Realice los siguientes pasos DESPUÉS DE CADA CORTE DE CÉSPED:

1. Una el adaptador del pico a una manguera de jardín estándar conectada al suministro de agua.
2. Mueva el tractor a un lugar dentro del alcance de la manguera donde se puedan desechar los recortes de césped húmedos. Desconecte la PTO, aplique el freno de mano y detenga el motor.
3. Tire del collarín de ajuste (a) del adaptador del pico (b) hacia atrás y empuje el adaptador del pico sobre el pico de lavado de la plataforma (c). Suelte el collarín de ajuste para trabar el adaptador del pico en el pico de lavado de la plataforma. Consulte la Figura 21.
4. Abra el suministro de agua.
5. Desde el asiento del operador del tractor, encienda el motor y active la PTO. Deje funcionar según sea necesario. Desactive la PTO y detenga el motor.
6. Cierre el suministro de agua.
7. Tire del collarín de ajuste del adaptador del pico hacia atrás para desconectar el adaptador del pico del pico de lavado de la plataforma.

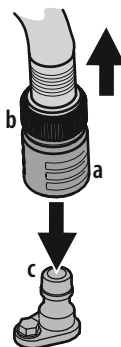


Figura 21

Limpeza del Tractor

⚠ ADVERTENCIA

Si el tractor ha estado en funcionamiento recientemente, el motor, el silenciador y las superficies metálicas circundantes estarán calientes y pueden causar quemaduras en la piel. Deje que el motor se enfríe durante al menos cinco minutos. Tenga precaución para evitar quemaduras.

El tractor se debe limpiar después de cada uso y bajo ciertas condiciones; es decir, en condiciones secas y/o cuando se haga abono, puede ser necesario realizar limpiezas adicionales.

Una de las mejores maneras de mantener el funcionamiento eficiente de su tractor y reducir el riesgo de incendio es eliminar regularmente la acumulación de desechos del tractor. Siga las recomendaciones a continuación y contacte a su distribuidor autorizado si tiene alguna pregunta.

- Deje que el tractor se enfríe al menos cinco minutos en un área abierta antes de limpiarlo.

Nota: No se recomienda el uso de una lavadora de presión ni de una manguera de jardín para limpiar el tractor excepto para limpiar la parte inferior de la plataforma. Puede dañar los componentes eléctricos, los husillos, las poleas, los rodamientos o el motor. El uso de agua acortará la vida útil de la máquina y reducirá su capacidad de servicio.

- Limpie debajo del capó, incluyendo el colector de escape, alrededor de los fusibles, todo el cableado y mazos de cables, tubo del silenciador, protector del silenciador, filtros de admisión del motor y aletas de refrigeración, etc. Consulte la Figura 22.

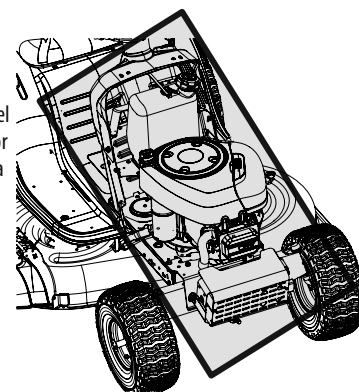


Figura 22

- Limpie la parte de arriba de la plataforma del tractor, debajo de las cubiertas de husillos y área de correas. Consulte la Figura 23.

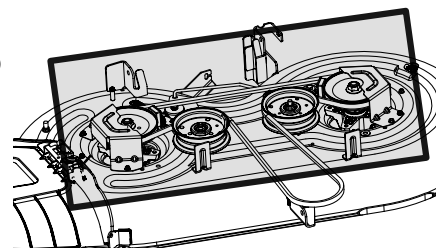


Figura 23

- Limpie alrededor y cerca de la transmisión, eje y área de ventiladores. Consulte la Figura 24.
- Se pueden acumular residuos en cualquier parte del tractor, especialmente en superficies horizontales. Puede ser necesario realizar una limpieza adicional cuando corte césped en condiciones secas o cuando haga abono.
- Las fugas y los derrames de combustible o de aceite y la lubricación excesiva también pueden convertirse en lugares de acumulación de residuos. La reparación de las fugas y la limpieza inmediata de los derrames de aceite o de combustible pueden ayudar a reducir los riesgos de incendio.
- Además de limpiar el tractor antes de utilizarlo y antes de guardarlo, no intente cortar césped demasiado crecido de 10" (25 cm) o más de altura, seco (como un pastizal) o pilas de hojas secas. El césped o las hojas que están secos pueden entrar en contacto con el escape del motor y/o acumularse en la plataforma del tractor presentando un potencial peligro de incendio.

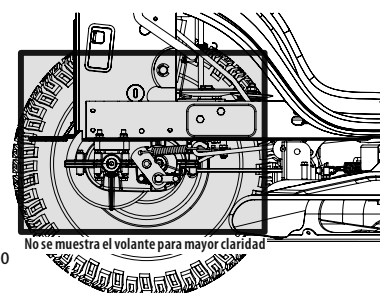


Figura 24

Almacenamiento del Tractor

- Deje que el tractor se enfríe al menos cinco minutos en un área abierta antes de guardarlo.
- No estacione el tractor cerca de cualquier material inflamable (madera, ropa o productos químicos) o de llamas abiertas o cualquier otra fuente potencial de ignición (hornos, calentadores de agua u otros tipos de calefactores).
- Quite todos los materiales combustibles del tractor antes de guardarlo. Vacíe las cajas de carga y los colectores o contenedores de césped.
- Si el tractor está equipado con una válvula de corte de combustible, interrumpa siempre el flujo de combustible cuando almacene o transporte el tractor.
- Verifique frecuentemente el sistema de combustible (circuitos, tanque, tapón y accesorios) para ver si hay rajaduras o pérdidas. Repare y limpie según sea necesario.

SERVICIO Y MANTENIMIENTO

Mantenimiento

Motor

⚠ ADVERTENCIA

Deje que la máquina se enfríe en un lugar abierto al menos cinco minutos antes de almacenarla o de volver a cargarle combustible.

Consulte el Manual del Operador del Motor para obtener información sobre las preguntas y los problemas relacionados con el motor.

Nota: El mantenimiento, la reparación o el reemplazo de los dispositivos y de los sistemas de control de emisiones que se estén realizando por cuenta del propietario pueden ser llevados a cabo por cualquier individuo o establecimiento especializados en reparación de motores. Los arreglos en garantía deben ser realizados por un distribuidor autorizado.

Cambio del Aceite del Motor

⚠ ADVERTENCIA

Si el motor ha estado en funcionamiento recientemente, el motor, el silenciador y las superficies metálicas circundantes estarán calientes y pueden causar quemaduras en la piel. Deje que el motor se enfríe durante al menos cinco minutos. Tenga precaución para evitar quemaduras.

Modelos con Tubo de Drenaje de Aceite

Nota: El filtro de aceite se debe cambiar en cada intervalo de cambio de aceite.

Para realizar el cambio de aceite, proceda de la siguiente manera:

- Haga funcionar el motor por un período corto para que el aceite del motor se caliente. El aceite fluirá mejor y limpiará más impurezas. Tenga cuidado y evite quemarse con el aceite caliente.
- Abra el capó del tractor y ubique el orificio de drenaje de aceite del lado izquierdo del motor.
- Para recoger el aceite usado, coloque un recipiente adecuado para recolectar el aceite, con al menos una capacidad de 2.5 cuartos de galón (2.36 litros), debajo de la abertura del tubo de drenaje de aceite. Retire el tapón de llenado de aceite/la varilla de nivel de aceite del tubo de llenado de aceite.
- Abra la tapita protectora del extremo de la válvula de drenaje para visualizar el orificio de drenaje. Consulte la Figura 25.
- Presione el tubo de drenaje de aceite (que acompaña este manual) sobre el orificio de drenaje. Coloque el extremo libre de la manguera en un recipiente de recolección de aceite adecuado con una capacidad de por lo menos 2.5 cuartos de galón (2.36 litros) para recoger el aceite usado.
- El motor está equipado con un orificio de drenaje de girar y tirar. Gire la válvula de drenaje de aceite 1/4 de vuelta hacia la izquierda, luego tire hacia afuera para comenzar a drenar el aceite. Cuando haya terminado de drenar el aceite, empuje el extremo de la válvula de drenaje de aceite hacia adentro y gírela 1/4 de vuelta para cerrar el drenaje de aceite. Vuelva a colocar la tapita del extremo de la válvula para evitar que entren residuos en el orificio de drenaje.
- Vuelva a colocar el filtro de aceite y cargue el motor con aceite nuevo según las instrucciones del manual de operador del motor.
- Vuelva a colocar el tapón de llenado de aceite/la varilla de nivel de aceite.

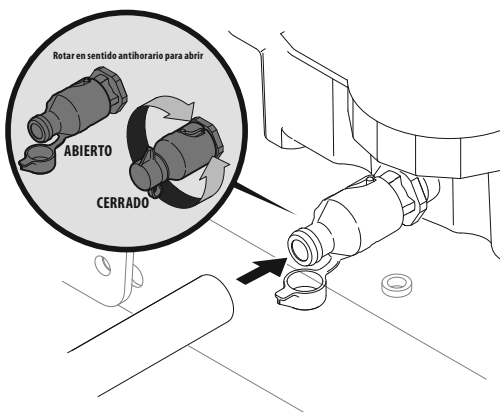


Figura 25

Nota: respete las leyes y reglamentaciones sobre la manera correcta de desechar gasolina, aceite, etc. para proteger el medio ambiente.

Nota: El mantenimiento, la reparación o el reemplazo de los dispositivos y los sistemas del control de emisiones, que corre por cuenta del cliente, puede realizarlo cualquier establecimiento o individuo especializado en reparaciones de motores. Los arreglos en garantía deben ser realizados por un distribuidor autorizado.

Modelos con Manga de Drenado de Aceite

Para realizar el cambio de aceite, proceda de la siguiente manera:

- Haga funcionar el motor por un período corto para que el aceite del motor se caliente. El aceite fluirá mejor y limpiará más impurezas. Tenga cuidado y evite quemarse con el aceite caliente.
- Abra el capó del tractor y ubique el orificio de drenaje de aceite del lado izquierdo del motor.
- Para recoger el aceite usado, coloque un recipiente adecuado para recolectar el aceite, con al menos una capacidad de 2.5 cuartos de galón (2.36 litros), debajo de la abertura del tubo de drenaje de aceite. Retire el tapón de llenado de aceite/la varilla de nivel de aceite del tubo de llenado de aceite.
- Coloque el extremo pequeño de la manga de drenado de aceite en el cárter de aceite. Consulte la Figura 26.
- Saque el tapón de drenaje y drene el aceite dentro del recipiente recolector.
- Cambie el filtro de aceite según las instrucciones del Manual del Operador del Motor.
- Vuelva a colocar el tapón de drenaje de aceite y vuelva a cargar el motor con aceite nuevo según las instrucciones del manual de operador del motor.
- Vuelva a colocar el tapón de llenado de aceite/la varilla de nivel de aceite.

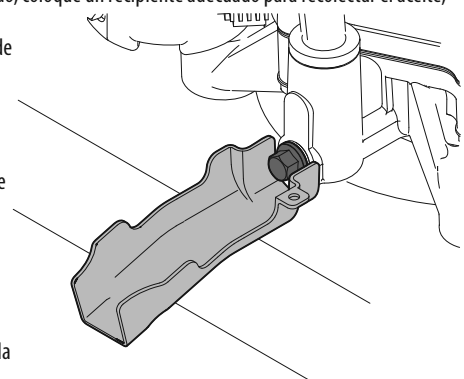


Figura 26

Lubricación

⚠ ADVERTENCIA

Antes de lubricar, reparar o inspeccionar, desconecte siempre la toma de fuerza (PTO), ponga el freno de mano, pare el motor y retire la llave, para evitar el encendido accidental del motor.

Con un aceite lubricante de buena calidad, lubrique todos los puntos de lubricación. Consulte la tabla del Programa de Mantenimiento que figura en este manual para conocer los intervalos de mantenimiento adecuados.

Lubricación de los Puntos de Pivote y Varillaje

Lubrique todos los puntos de pivote del sistema de transmisión, freno de mano y varillaje de elevación según la Tabla de Mantenimiento.

Nota: No es necesario engrasar la interfaz del piñón de la dirección/engranajes. Si lo hace, se acumulará suciedad en estas piezas, y esto puede afectar el rendimiento de la dirección.

Ruedas Traseras

Las ruedas traseras se deben retirar de los ejes una vez por temporada. Lubrique bien los ejes y las llantas con una grasa multipropósito antes de reinstalarlos.

SERVICIO Y MANTENIMIENTO

Ejes Delanteros (si se incluyen)

Cada extremo de la barra de pivote delantera del tractor puede estar equipado con un engrasador. Lubrique con una grasa multipropósito N° 2 aplicada con una pistola para grasa según el Programa de Mantenimiento. Consulte la Figura 27.

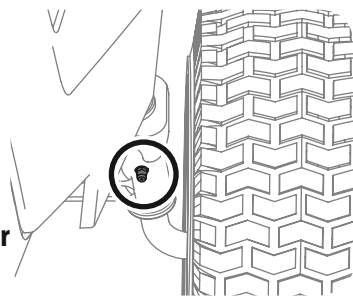


Figura 27

Mantenimiento del Amortiguador de Chispas (si se incluye)

Los conjuntos de amortiguadores de chispas se deben inspeccionar y limpiar periódicamente (consulte la tabla de intervalos de mantenimiento que figura en este manual). Inspeccione visualmente el filtro para detectar roturas, cables rotos o soldaduras sueltas. Vuelva a colocar el conjunto de amortiguador de chispas si existen algunas de estas condiciones. Si la pantalla está en buenas condiciones, limpie la pantalla cepillando para sacar la suciedad o las partículas de carbono sueltas.

Neumáticos

Mantenga los neumáticos inflados a las presiones recomendadas. El inflado inadecuado de un neumático reduce su vida útil. Consulte los laterales de los neumáticos para averiguar las presiones de inflado adecuadas. Consulte la tabla del Programa de Mantenimiento que figura en este manual para conocer los intervalos de mantenimiento adecuados.

Respete las siguientes pautas:

- No infle los neumáticos por encima de la presión máxima que se muestra en el lateral del neumático.
- No vuelva a inflar un neumático que se ha utilizado desinflado o desinflado en extremo. Un gomero calificado debe inspeccionar y reparar el neumático.

Almacenamiento Fuera de Temporada

Si el tractor cortacésped no va a funcionar por un período prolongado (desde treinta días hasta aproximadamente seis meses), se lo debe preparar para el almacenamiento. Guarde el tractor cortacésped en un lugar seco y protegido. Si lo guarda afuera, cúbralo (incluidos los neumáticos) para protegerlo de los fenómenos climáticos. Cada vez que se prepara el tractor cortacésped para dejarlo fuera de uso se deben realizar los procedimientos que se describen más abajo.

1. Cambie el aceite y el filtro del motor siguiendo las instrucciones suministradas en este manual, como así también el manual del motor entregado con este tractor.

ADVERTENCIA

Nunca guarde el tractor con combustible en el depósito en un lugar cerrado o con escasa ventilación, donde los gases del combustible pueden alcanzar llamas abiertas, chispas o una luz piloto como la de un horno, calentador de agua, secador de ropa, etc.

2. Si guarda el tractor por 30 días o más:
 - a. Para evitar que se formen depósitos de goma dentro del carburador del motor y posibles desperfectos en el motor, el sistema de combustible debe ser vaciado completamente, o se debe tratar la gasolina con un estabilizador para evitar el deterioro.
 - b. Uso de un estabilizador de combustible para almacenamiento de entre 30 y 90 días:
 - Lea las instrucciones y recomendaciones del fabricante del producto.
 - Agregue a gasolina limpia y nueva la cantidad correcta de estabilizador para la capacidad del sistema de combustible.
 - Llene el depósito de combustible con combustible tratado y haga funcionar el motor 2-3 minutos para estabilizar el combustible dentro del carburador.
 - El combustible que queda en el depósito se deteriora y causa graves problemas de arranque.
 - c. Vaciado del sistema de combustible para almacenamiento de más de 90 días:
 - Antes de guardar el tractor, observe el consumo de combustible a los efectos de hacer funcionar el tractor hasta que el depósito esté vacío.

- Haga funcionar el motor hasta que comience a detenerse. Use el cebador para mantener el motor en funcionamiento hasta que se haya agotado todo el combustible del carburador.
- Drene el combustible del recipiente del carburador, consultando el manual del motor.

3. Limpie perfectamente el motor y todo el tractor.

Nota: No se recomienda el uso de una lavadora de presión ni de una manguera de jardín para limpiar el tractor excepto para limpiar la parte inferior de la plataforma. Puede dañar los componentes eléctricos, los husillos, las poleas, los rodamientos o el motor. El uso de agua acortará la vida útil de la máquina y reducirá su capacidad de servicio.

4. Cargue totalmente la batería, luego desconecte el cable negativo de la batería para evitar posibles descargas. Vuelva a cargar la batería periódicamente durante el almacenamiento.

Nota: Retire la batería si ha estado expuesta a períodos prolongados de temperaturas inferiores al congelamiento. Guarde en un lugar fresco y seco, donde las temperaturas estén por encima del punto de congelamiento.

5. Lubrique todos los puntos de lubricación.

Retiro del Tractor Cortacésped del Lugar de Guarda

1. Inspeccione el aceite del motor.
2. Cargue totalmente la batería e infle los neumáticos a la presión recomendada. Consulte los laterales de los neumáticos para averiguar las presiones de inflado adecuadas.
3. Llene el depósito de combustible con gasolina limpia y nueva.
4. Arranque el motor y déjelo andar en ralentí unos cuantos minutos para asegurar que su funcionamiento sea adecuado.
5. Conduzca el tractor sin carga para estar seguro de que todos los sistemas del tractor funcionan correctamente.

Nivelación de la Plataforma (de lado a lado)

1. Con el tractor estacionado sobre una superficie firme y nivelada, coloque la palanca de elevación de la plataforma en la segunda muesca superior (segunda posición más alta) y rote ambas cuchillas para que queden perpendiculares al tractor.
2. Mida la distancia desde la parte externa de la punta de la cuchilla izquierda hasta el piso, y desde la parte externa de la punta de la cuchilla derecha hasta el piso. Las dos mediciones obtenidas deben ser iguales. Si no lo son, prosiga con el paso siguiente.
3. Debajo de los guardabarros traseros dentro de las ruedas, hay un perno de cabeza hexagonal de ajuste de elevación para cada lado de la plataforma. Consulte la Figura 28.
4. Afloje, pero NO extraiga, el perno de cabeza hexagonal (a) ubicado en el soporte de suspensión izquierda de la plataforma.
5. Únicamente se deberían realizar ajustes menores en el engranaje de ajuste que se encuentra inmediatamente detrás del perno de cabeza hexagonal que acaba de aflojar en el paso anterior (hacia la derecha/arriba o hacia la izquierda/abajo).
6. Una vez logrado el ajuste correcto, ajuste el perno de cabeza hexagonal (a) del soporte de suspensión izquierda de la plataforma.
7. La plataforma se encuentra correctamente centrada cuando las dos mediciones que se tomaron anteriormente desde las puntas de las cuchillas son iguales.

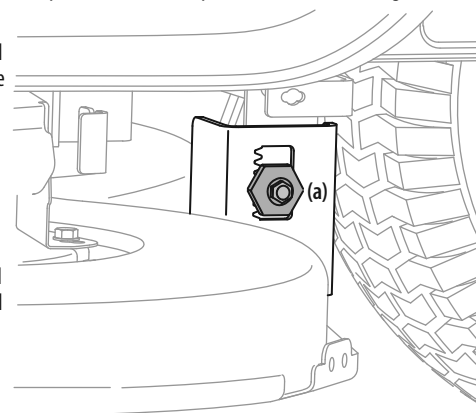


Figura 28

SERVICIO Y MANTENIMIENTO

Nivelación de la Plataforma (inclinación/de adelante hacia atrás)

El frente de la plataforma se apoya en una barra estabilizadora que se puede ajustar para nivelar la plataforma de adelante hacia atrás. El frente de la plataforma debe estar 1/4"-3/8" (6.35-9.5 mm) más abajo que la parte trasera de la plataforma. De ser necesario, realice un ajuste de la siguiente manera:

1. Con el tractor estacionado sobre una superficie firme y nivelada, ubique la palanca de elevación de la plataforma en la segunda muesca antes de la superior (segunda posición más elevada) y rote el extremo de la cuchilla de manera más cercana al canal de descarga de modo que quede paralelo al tractor.
2. Mida la distancia desde la parte delantera de la punta de la cuchilla hasta el suelo, y desde la parte posterior de la punta de la cuchilla hasta el suelo. El frente de la plataforma debe estar entre 1/4"-3/8" (6.35-9.5 mm) más abajo que la parte posterior.
3. Determine la distancia aproximada necesaria para un ajuste adecuado y, de ser necesario, proceda.
4. Para *eleva*r el frente de la plataforma, afloje la tuerca exterior y luego apriete (rosca hacia adentro) la tuerca interior contra el soporte de suspensión delantera. Consulte la Figura 29. Cuando se logre el torque correcto, vuelva a apretar la tuerca exterior hasta 25-30 pies-libras (34-40.7 N-m).
5. Para *baja*r el frente de la plataforma, afloje la tuerca exterior y luego afloje (rosca hacia afuera) la tuerca interior, alejándola del soporte de suspensión delantera. Consulte la Figura 28. Cuando se logra el ajuste correcto, vuelva a apretar la tuerca exterior.

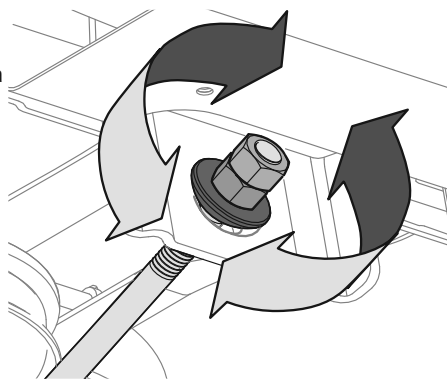


Figura 29

Ajuste de las Ruedas de la Plataforma

⚠ ADVERTENCIA

Mantenga las manos y los pies alejados de la abertura de descarga de la plataforma de corte.

NOTA: Las ruedas de la plataforma constituyen un mecanismo para el cuidado del césped y no fueron diseñadas para soportar el peso de la plataforma.

Las ruedas de la plataforma deben estar aproximadamente 1/4"-1/2" (6.35-12.7 mm) por encima del suelo cuando la plataforma se fija en el valor de altura deseado. Para ajustar las ruedas de la plataforma, consulte las instrucciones en la sección Montaje.

Servicio

Sistema Eléctrico

El tractor tiene instalado un fusible para proteger el sistema eléctrico de los daños causados por el exceso de amperaje. Siempre reemplace con fusibles de la misma capacidad. Si el sistema eléctrico no funciona, controle si hay un fusible quemado.

Si se repite el problema de los fusibles quemados, haga que el distribuidor de servicio autorizado de su localidad revise el sistema eléctrico del tractor.

Relés e Interruptores

Hay varios interruptores de seguridad en el sistema eléctrico. Si una función del sistema de enclavamiento de seguridad descrito antes no funciona adecuadamente, haga que el distribuidor de servicio autorizado revise el sistema eléctrico.

Ajuste del Freno de Mano

Si el tractor no se detiene por completo cuando se presiona totalmente el pedal del freno, o si las ruedas traseras del tractor siguen rodando con el freno de mano colocado (y la válvula de descarga hidrostática abierta, si se incluye) el freno necesita ajustes. Consulte a su distribuidor de servicio autorizado para realizar un ajuste del freno.

Ajuste de Punto Muerto Hidrostático

Si el tractor se desliza hacia adelante o hacia atrás cuando no se presiona el pedal de marcha adelante ni el de marcha atrás, póngase en contacto con el distribuidor local autorizado para que regule correctamente el ajuste de punto muerto.

Alineación de las Ruedas

Si el tractor tira hacia un lado o está desalineado, podría ser necesario alinear las ruedas. Comuníquese con un distribuidor de servicio autorizado para hacer alinear las ruedas correctamente.

Retiro de la Plataforma

⚠ ADVERTENCIA

Tenga cuidado de no pellizcarse los dedos cuando saca la correa de la polea de la PTO.

Para extraer la plataforma de corte, proceda de la siguiente manera:

1. Desplace el tractor a una superficie nivelada, desconecte la PTO, pare el motor y PONGA el freno de mano.
2. Baje la plataforma colocando la palanca de elevación de la plataforma dentro de la muesca inferior del guardabarros derecho.
3. Retire la varilla de la guarda de la correa (a) de alrededor de la polea del motor del tractor, sacando el tornillo autorroscante (b) que le asegura. Consulte la Figura 29.

NOTA: Tome nota para cuando deba reinstalarla, en cuál orificio se inserta el otro extremo de la varilla guardacorrea.

4. Retire la correa (c) de alrededor de la polea del motor del tractor y de las poleas locas. Consulte la Figura 30.

5. Mirando la plataforma de corte desde el lado izquierdo del tractor, ubique el pasador de chaveta (a) que sujeta la varilla de soporte de la plataforma (b) del lado posterior izquierdo de la plataforma. Consulte la Figura 31. Extraiga el pasador de chaveta (a) que sujeta la varilla de soporte de la plataforma (b), y con cuidado saque el soporte de la plataforma del brazo de elevación de la plataforma.

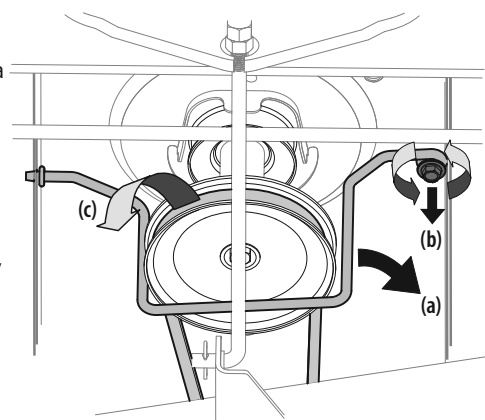


Figura 30

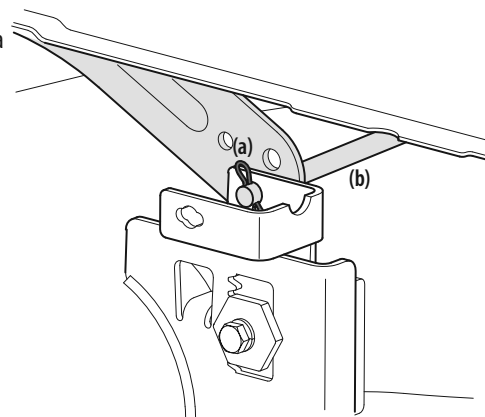


Figura 31

SERVICIO Y MANTENIMIENTO

- Repita el paso 5 del lado derecho del tractor.
- Mueva la palanca de elevación de la plataforma dentro de la muesca superior del guardabarros derecho para levantar los brazos de elevación de la plataforma y sacarlos del paso.

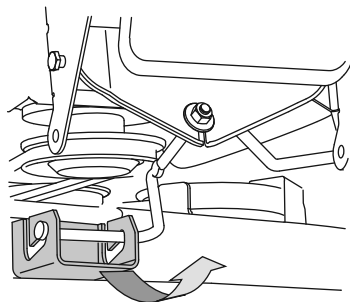


Figura 32

- En plataformas de 38", deslice suavemente la plataforma de corte hacia la parte delantera del tractor y con cuidado guíe los ganchos de la plataforma para extraerlos de la varilla estabilizadora de la plataforma. Consulte la Figura 32.

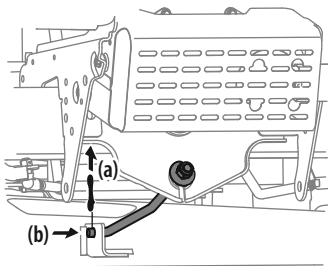


Figura 33

- En plataformas de 36", 42" y 46", extraiga el pasador de chaveta (a) que sujeta la varilla estabilizadora de la plataforma (b) a la plataforma. Deslice la varilla de elevación de la plataforma fuera de la ménsula de montaje de la plataforma como se ve en la Figura 33.

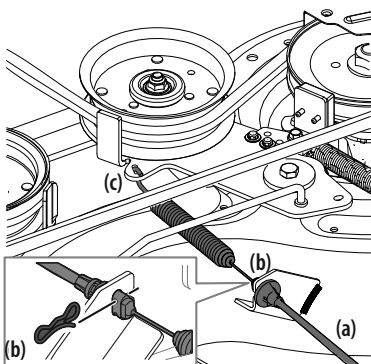


Figura 34

- Extraiga con cuidado el cable de la PTO (a) de la parte posterior de la plataforma de corte retirando el pasador de chaveta (b) que lo sujeta. Retire el resorte (c) del soporte de polea loca de la plataforma. Consulte la Figura 34.

- Deslice suavemente la plataforma de corte (desde el lado izquierdo) hacia afuera desde la parte inferior del tractor.

NOTA: Para volver a instalar la plataforma después del servicio, invierta el orden de los pasos 1 a 11 para el retiro de la plataforma que se indican en esta sección.

Instalación de la Cuchilla

- Con la plataforma quitada, voltee la plataforma con delicadeza para dejar al descubierto la parte inferior.
- Alinee el orificio que está en el centro de la cuchilla con el retenedor que está en la base del montaje de husillo, y el lado marcado como "lado césped" o con un número de pieza, de modo que quede mirando al piso cuando la plataforma esté reinstalada y en la posición operativa correcta.
- Coloque un bloque de madera entre el deflector del alojamiento de la plataforma y la cuchilla de corte para que actúe como estabilizador. Consulte la Figura 35.
- Enrosque la tuerca de brida hexagonal para asegurar la cuchilla al montaje de husillo. Utilice una llave de torsión para ajustar la tuerca de brida hexagonal del husillo de la cuchilla a 80-90 pies-libras (95-122 N-m).

NOTA: Cuando reemplace o reinstale la cuchilla, asegúrese de instalarla con el lado marcado "Bottom" (Inferior) (o con el lado que posee un número de pieza) mirando al piso.

Afilado de la Cuchilla

- Para afilar las cuchillas de corte correctamente, extraiga cantidades iguales de metal de ambos extremos de las cuchillas a lo largo de los bordes cortantes, paralelo al borde de caída, a un ángulo de 25° a 30°. Afile siempre cada borde de las cuchillas de corte de forma pareja para mantener un centrado adecuado entre las mismas. Consulte la Figura 36.

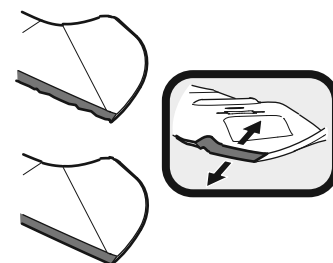


Figura 36

- Pruebe el centrado de la cuchilla usando un compensador de cuchillas. Afile el metal del lado pesado hasta que quede bien centrada.

⚠ ADVERTENCIA

Una cuchilla mal centrada causará exceso de vibración y puede dañar el tractor y/o causar lesiones.

Extracción de la Cuchilla

⚠ ADVERTENCIA

- Apague el motor y extraiga la llave de encendido antes de retirar las cuchillas de corte para afilarlas o reemplazarlas. Proteja sus manos utilizando guantes reforzados cuando sujete las cuchillas.
- Inspeccione periódicamente la cuchilla y/o el husillo en busca de rajaduras o daños, especialmente después de golpear un objeto extraño. No haga funcionar el tractor hasta después de haber reemplazado componentes dañados.
- Si el borde cortante de la cuchilla ha sido afilado previamente o si existe una separación de metal, reemplace las cuchillas por otras nuevas.

- Extraiga la plataforma de la parte inferior del tractor, (consulte la sección Retiro de la Plataforma en la página 18); luego voltee con delicadeza la plataforma para dejar al descubierto su parte inferior.
- Coloque un bloque de madera entre el deflector del alojamiento central de la plataforma y la cuchilla de corte, para que actúe como estabilizador. Consulte la Figura 35.
- Extraiga la tuerca de brida hexagonal que asegura la cuchilla al montaje de husillo. Consulte la Figura 35.

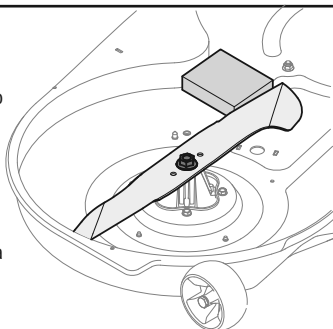


Figura 35

SOLUCIÓN DE PROBLEMAS

ADVERTENCIA

Antes de realizar cualquier tipo de mantenimiento o servicio, desactive todos los controles y detenga el motor. Espere a que se detengan completamente todas las piezas móviles. Desconecte el cable de la bujía de encendido y póngalo haciendo masa contra el motor para evitar que se encienda accidentalmente. Utilice siempre anteojos de seguridad durante el funcionamiento o mientras ajusta o repara este equipo.

En esta sección se analizan problemas menores de servicio. Para localizar el centro de servicio técnico autorizado más cercano consulte la hoja complementaria que se entrega por separado donde consta la información de contacto.

Problema	Causa	Solución
El motor no arranca	<ol style="list-style-type: none"> 1. Perilla de PTO/Acople de Cuchillas activada. 2. No está puesto el freno de mano. 3. Se ha desconectado el cable de bujía. 4. La palanca de control del acelerador no está en la posición de arranque correcta. 5. El depósito de combustible está vacío o el combustible se ha echado a perder. 6. La línea del combustible está bloqueada. 7. La bujía no funciona correctamente. 8. Motor ahogado. 9. Fusible(s) quemados. 	<ol style="list-style-type: none"> 1. Coloque la perilla en la posición de desconexión (OFF). 2. Coloque el freno de mano. 3. Conecte el cable a la bujía de encendido 4. Mueva la palanca del acelerador a la posición FAST (rápido). 5. Llene el depósito con gasolina limpia y nueva (de menos de 30 días de antigüedad). 6. Vuelva a colocar el circuito de combustible. Vea a un distribuidor de servicio autorizado. Reemplace el filtro de combustible. Consulte la sección Servicio y Mantenimiento. 7. Limpie, ajuste la separación, o cambie la bujía. 8. Arranque el motor con el acelerador en la posición FAST (rápido). 9. Reemplace el fusible.
El motor funciona de manera errática	<ol style="list-style-type: none"> 1. El tractor está funcionando con Cebador activado. 2. Los cables de la bujía están flojos. 3. El circuito del combustible está obstruido o el combustible se ha echado a perder. 4. La ventilación en la tapa del combustible está obstruida. 5. Hay agua o suciedad en el sistema de combustible. 6. El depurador de aire está sucio. 	<ol style="list-style-type: none"> 1. Compruebe que el cebador eléctrico funcione. Vea a un distribuidor de servicio autorizado. 2. Conecte y ajuste los cables e la bujía. 3. Vuelva a colocar el circuito de combustible. Vea a un distribuidor de servicio autorizado. Llene el tanque con gasolina limpia y nueva y reemplace el filtro de combustible. Consulte la sección Servicio y Mantenimiento. 4. Destape la ventilación o reemplace la tapa si está dañada. 5. Vacíe el depósito de combustible. Recargue el depósito con gasolina limpia y nueva. Consulte la sección Servicio y Mantenimiento. 6. Limpie o reemplace el elemento de papel del depurador de aire o limpie el prefiltro de espuma.
El motor recalienta	<ol style="list-style-type: none"> 1. El nivel de aceite del motor está bajo. 2. Restricción en el flujo de aire 	<ol style="list-style-type: none"> 1. Llene el motor con cantidad y tipo de aceite adecuados. 2. Elimine los recortes de césped y los desechos de alrededor de las aletas de enfriamiento del motor y de la carcasa del soplador.
El motor vacila a altas revoluciones	<ol style="list-style-type: none"> 1. Poca separación de los electrodos de la bujía 	<ol style="list-style-type: none"> 1. Extraiga la bujía y regule la separación.
El motor funciona mal en marcha lenta	<ol style="list-style-type: none"> 1. Bujía atorada 2. El depurador de aire está sucio 	<ol style="list-style-type: none"> 1. Reemplace la bujía y regule la separación. 2. Limpie o reemplace el elemento del depurador de aire y/o limpie el prefiltro.
Excesiva vibración	<ol style="list-style-type: none"> 1. Cuchillas de corte flojas o descentradas 2. Cuchilla de corte dañada, desafilada o doblada 	<ol style="list-style-type: none"> 1. Apriete la cuchilla y el husillo. Centre la cuchilla. 2. Reemplace la cuchilla.
Tractor no abona el césped	<ol style="list-style-type: none"> 1. La velocidad del motor es demasiado lenta. 2. Pasto mojado. 3. Césped excesivamente alto. 4. Cuchilla desafilada. 	<ol style="list-style-type: none"> 1. Coloque el control del acelerador en la posición FAST (velocidad rápida, representada por una liebre). 2. No procese abono cuando el pasto está mojado. 3. Corte una vez a una altura de corte elevada y luego vuelva a realizar el corte a la altura deseada, o siga una ruta de corte más estrecha. 4. Afile o cambie la cuchilla.
Corte irregular	<ol style="list-style-type: none"> 1. La plataforma no está correctamente nivelada. 2. Cuchilla desafilada. 3. Presión de neumáticos desigual. 	<ol style="list-style-type: none"> 1. Haga un ajuste de la plataforma de lado a lado. 2. Afile o cambie la cuchilla. 3. Verifique la presión de los cuatro neumáticos.

MANUEL D'UTILISATION

Tracteur à pelouse avec moteur avant

Notez les références de votre accessoire !

Avant de préparer et d'utiliser votre nouvel appareil, veuillez localiser la plaque signalétique et reporter les renseignements dans la section à droite. Vous trouvez la plaque signalétique sous le siège. Ces renseignements sont nécessaires lorsque vous cherchez de l'aide technique, soit sur notre site Web, soit auprès de notre service ou du concessionnaire de votre région.

NUMÉRO DE MODÈLE

--	--	--	--	--	--	--	--	--	--	--	--

NUMÉRO DE SÉRIE

--	--	--	--	--	--	--	--	--	--	--	--

Table des matières

<i>Consignes de sécurité</i>	2	<i>Entretien et réparation</i>	14
<i>Montage</i>	7	<i>Dépannage</i>	20
<i>Utilisation</i>	10	<i>Pièces et garantie</i>	Voir document annexe

AVERTISSEMENT

Lisez attentivement les consignes de sécurité et les instructions de montage et d'utilisation avant d'utiliser cet appareil afin d'écartier tout risque d'accident et de blessure.

AVERTISSEMENT

Proposition 65 de la Californie


Les gaz d'échappement du moteur ainsi que certains éléments de l'appareil contiennent des substances considérées par l'État de Californie comme étant cancérigènes et pouvant provoquer des anomalies congénitales ainsi que d'autres effets nuisibles à la reproduction.

Les bornes et les cosses de batterie ainsi que les accessoires connexes contiennent du plomb et des composés de plomb, soit des produits chimiques reconnus par l'État de Californie comme cancérigènes et pouvant provoquer des effets nuisibles à la reproduction. Lavez-vous les mains après toute manipulation.

NOTE : Ce manuel est commun à plusieurs modèles dont les caractéristiques peuvent différer du vôtre, de même que le modèle illustré.

CONSIGNES DE SÉCURITÉ IMPORTANTES

AVERTISSEMENT

 Les consignes importantes sont précédées de ce symbole. Si vous ne les respectez pas, vous risquez de vous blesser grièvement ou de causer des dommages matériels. Veuillez lire toutes les consignes de ce manuel avant d'utiliser votre appareil afin d'écartier tout risque d'accident et de blessure. **RESPECTEZ L'AVERTISSEMENT QUI ACCOMPAGNE CE SYMBOLE !**

DANGER

Cet appareil a été conçu pour être utilisé selon les consignes de sécurité décrites dans ce manuel. Comme pour tout autre type d'équipement motorisé, la négligence ou une erreur de la part de l'utilisateur peut entraîner de graves blessures, provoquer des blessures nécessitant une amputation des doigts, des mains ou des pieds ou encore projeter des objets. Il est donc impératif de respecter scrupuleusement les consignes de sécurité énoncées.

Informations générales

1. Veuillez lire attentivement toutes les instructions inscrites sur le tracteur et dans les manuels avant de l'assembler et de l'utiliser. Conservez-le pour pouvoir le relire ou commander des pièces de rechange.
2. Familiarisez-vous avec les commandes et le fonctionnement de votre appareil avant de vous en servir. Vous devez surtout savoir comment l'arrêter et débrayer les commandes rapidement.
3. L'âge minimum pour pouvoir utiliser ce tracteur est de 14 ans. Si vous souhaitez permettre à vos enfants de plus de 14 ans de tondre la pelouse, lisez d'abord les consignes de sécurité et d'utilisation avec eux, montrez-leur comment faire et exigez qu'un adulte soit présent en tout temps.
4. Ne confiez votre tracteur qu'à des adultes responsables, qui savent s'en servir.
5. Soyez prudent et faites preuve de bon sens en tout temps : ce manuel ne peut couvrir toutes les situations susceptibles de survenir lorsque vous utilisez votre tracteur. Si vous avez besoin d'aide, communiquez avec notre service à la clientèle.
6. La durée de vie moyenne de votre tracteur est de sept ans d'après la Commission sur la sécurité des produits de consommation (États-Unis Consumer Products Safety Commission) et l'Agence américaine de protection de l'environnement (U.S. Environmental Protection Agency). À ce terme, faites impérativement vérifier les mécanismes et dispositifs de sécurité tous les ans par un centre de service agréé. Vous risquez un accident grave voire mortel si vous ne le faites pas.

Avant d'utiliser le tracteur

1. Examinez soigneusement la pelouse avant de tondre. Ramassez les pierres, brindilles, fils, os, jouets et autres objets qui pourraient être projetés ou sur lesquels vous pourriez trébucher. Les objets projetés peuvent causer de graves blessures corporelles.
2. Ne laissez pas vos proches, enfants ou animaux de compagnie s'approcher à moins de 23 m (75 pi) lorsque vous tondez, à cause des risques liés aux projections ou à une collision. Ne permettez à personne de s'approcher de la zone de travail. Coupez le moteur dès que quelqu'un s'approche.
3. Ne dirigez jamais le côté où sont éjectés les débris d'herbe vers d'autres personnes.
4. Portez toujours des lunettes de sécurité pour tondre ou pour effectuer un réglage ou une réparation. Vos yeux sont particulièrement vulnérables aux projections.
5. Portez des chaussures robustes à semelles épaisses et des vêtements bien ajustés. Ne portez pas de vêtements amples ni de bijoux qui risquent de se coincer dans les pièces en mouvement. Ne tondez jamais pieds nus ou en sandales.
6. Ne remplissez pas le réservoir à ras bord. L'essence se dilate en chauffant, alors laissez un espace d'environ un demi-pouce sous le col de remplissage.
7. Veillez à remettre correctement le bouchon du réservoir lorsque vous avez terminé.
8. N'utilisez que des pièces d'origine et accessoires homologués. Lisez les manuels de vos nouveaux accessoires avant de les utiliser.

Utilisation

1. Statistiquement, les utilisateurs de tracteur de 65 ans ou plus sont plus susceptibles d'avoir un accident avec leur tracteur. Par conséquent, nous vous recommandons de bien évaluer votre aptitude à utiliser cet appareil sans vous mettre en danger ni risquer de blesser d'autres personnes.
2. Débrayez les lames et serrez le frein de stationnement avant de démarrer le tracteur.
3. N'approchez pas les pieds ou les mains ni des lames, ni du dessous du plateau de coupe : vous pourriez vous blesser grièvement, au point de devoir subir une amputation.
4. Faites attention aux trous, ornières, bosses, roches et autres objets qui peuvent être dissimulés. Prenez garde car le tracteur pourrait se renverser en passant dessus. L'herbe haute peut camoufler des obstacles.
5. Calculez votre trajectoire de façon à éviter de projeter les brins coupés vers la rue, le trottoir, les passants, etc. Attention, les débris peuvent rebondir sur les murs ou autres obstacles et vous atteindre.
6. Calculez bien la hauteur libre avant de vous engager sous des branches basses, des fils électriques ou dans tout autre passage réduit car vous pourriez vous cogner ou tomber du siège et vous blesser grièvement.
7. Ne laissez jamais votre tracteur en marche sans surveillance. Arrêtez toujours l'appareil, débrayez les lames, engagez le frein de stationnement et retirez la clé avant de quitter le poste de conduite.
8. Arrêtez le moteur, serrez le frein à main et attendez l'arrêt complet de la lame avant de retirer le bac récupérateur, de déboucher la goulotte ou d'effectuer un réglage ou une réparation.
9. Cet appareil est conçu pour une utilisation non-professionnelle. Il peut tondre un gazon de 25 cm (10 pouces) de haut au maximum. Il n'est pas fait pour tondre les hautes herbes (par ex. dans un pré) ou pour déchiqueter des tas de feuilles mortes. Si des débris végétaux secs s'accumulent sous le plateau de coupe et atteignent le tuyau d'échappement, ils risquent de prendre feu.
10. Reculez lentement. Regardez toujours derrière vous, par terre avant et pendant la marche arrière pour éviter de renverser quelqu'un.
11. Ne laissez pas d'autres personnes monter sur le tracteur lorsque le moteur est en marche.
12. Ne vous approchez pas à moins de 3 mètres (10 pieds) des rebords surélevés, des fossés, des remblais ou des rives. Vous risquez d'y tomber si une roue se retrouve dans le vide ou si le sol s'effondre sous le poids de la tracteur.
13. Il est dangereux d'utiliser ce tracteur sans son déflecteur d'éjection.
14. Il est donc important de ne pas utiliser ce tracteur sans son déflecteur d'éjection ou son sac à herbe.
15. Attention : les bacs récupérateurs et autres accessoires affectent l'équilibre du tracteur. Suivez les instructions du manuel d'utilisation du fabricant de l'accessoire.
16. Débrayez les lames dès que vous cessez de tondre et avant de vous engager sur le trottoir, sur la route ou sur du gravier.

Consignes de sécurité importantes

17. Si vous devez circuler sur un bas-côté ou traverser la route, faites attention à la circulation. Ne circulez pas sur la voie publique.
18. Tondez en plein jour ou avec un éclairage artificiel adéquat.
19. N'utilisez pas ce tracteur lorsque vous êtes sous l'empire de la boisson, de la drogue ou d'un médicament.
20. Ralentissez avant d'entamer un virage. N'effectuez pas de gestes brusques, évitez les manœuvres abruptes et n'allez pas trop vite.
21. Ne touchez pas au silencieux et au moteur car ils deviennent chauds et pourraient vous brûler. Laissez le moteur refroidir pendant cinq minutes avant d'effectuer un réglage ou une réparation.
22. Ne laissez jamais le moteur tourner dans un lieu fermé ou mal aéré en raison de la présence de monoxyde de carbone, un gaz inodore très dangereux, dans les gaz d'échappement.

Précautions relatives aux enfants

1. Redoublez de vigilance si vous avez des enfants. Ces derniers aiment bouger, peuvent se déplacer à tout moment à votre insu et ils sont souvent fascinés par les tracteurs sans se rendre compte du danger, ce qui peut provoquer de très graves accidents.
2. Les enfants doivent être sous la surveillance d'un adulte autre que l'utilisateur de l'appareil et ne doivent pas s'approcher de la zone de travail. Coupez le moteur dès que quelqu'un s'approche.
3. Ne laissez pas les enfants monter sur le tracteur lorsque le moteur est en marche, même si les lames sont débrayées car ils pourraient vous gêner, vous déconcentrer ou encore tomber et se blesser grièvement. Des enfants qui ont déjà monté sur le tracteur pourraient s'approcher pour un autre tour peuvent être écrasés par l'appareil.
4. Restez vigilant et arrêtez le tracteur dès qu'ils s'approchent.
5. Avant de reculer, retournez-vous pour vérifier soigneusement qu'il n'y a personne derrière le tracteur.
6. Soyez particulièrement vigilant à l'abords de virages masqués, portails, buissons, arbres etc. desquels les enfants peuvent surgir d'un coup.
7. L'âge minimum pour pouvoir utiliser ce tracteur est de 14 ans. Si vous souhaitez permettre à vos enfants de plus de 14 ans de tondre la pelouse, lisez d'abord les consignes de sécurité et d'utilisation avec eux, montrez-leur comment faire et exigez qu'un adulte soit présent en tout temps.
8. Sécurisez l'appareil pour qu'aucun enfant ne l'utilise sans autorisation. Cet appareil n'est pas un jouet. Informez vos enfants qu'il est dangereux d'utiliser le tracteur et qu'il ne faut pas s'en approcher.
9. Ne laissez pas vos enfants s'approcher du moteur en marche ou encore chaud ou du silencieux car ils risquent de se brûler.
10. Ne laissez jamais la clé de contact sur le tracteur afin que vos enfants ne puissent pas démarrer le moteur. Gardez la clé dans un endroit où les enfants n'ont pas accès.

Consignes relatives aux pentes

1. Dans les pentes, les accidents sont plus fréquents et souvent plus graves (voire mortels) car vous avez plus de risque de perdre le contrôle de votre équipement et de vous renverser, vous devez donc redoubler de vigilance même dans les pentes douces. N'y allez pas du tout si vous ne vous sentez pas en confiance ou s'il est impossible de la remonter à reculons.
2. Par mesure de sécurité, mesurez toute pente à tondre avec l'inclinomètre de ce manuel avant de vous y engager avec le tracteur. Utilisez aussi un dispositif de mesure pour déterminer la pente à tondre avant d'utiliser l'appareil. Vous pouvez aussi utiliser les applications pour téléphone pour mesurer les pentes. Évitez impérativement les pentes dont l'inclinaison est supérieure à 15° car les risques d'accident grave y sont très élevés.
3. Ne tondez pas sur des pentes avec une inclinaison supérieure à 15 degrés (25%).
4. Ne tondez pas perpendiculairement à la pente. Tondez dans le sens de la pente, mais jamais sur une pente de plus de 15° (25 %).

- Tondez lentement et ne tournez pas brusquement.
5. Ne tondez pas si la pelouse est mouillée car elle devient très glissante.
6. N'utilisez pas le tracteur si sa traction, sa stabilité ou sa conduite sont remises en question. Ses roues peuvent glisser même lorsque l'appareil est à l'arrêt.
7. Évitez d'avoir à démarrer ou à vous arrêter au beau milieu d'une pente. Ne changez pas de vitesse ou de direction brusquement et tournez lentement et prudemment.
8. Attention : les bacs récupérateurs et autres accessoires affectent l'équilibre de l'appareil. N'utilisez pas de bac récupérateur sur une pente supérieure à 10 degrés.
9. N'essayez pas de stabiliser le tracteur en posant le pied à terre.
10. N'allez pas trop vite et prenez votre temps. Ne changez pas de vitesse ou de direction brusquement. Une accélération ou un freinage brusque peut faire soulever l'avant du tracteur et le faire basculer vers l'arrière, ce qui peut entraîner de graves blessures, voire la mort.

Essence et incendie

1. Faites très attention lorsque vous manipulez de l'essence. Ce liquide est extrêmement inflammable et dégage des vapeurs explosives. Une simple éclaboussure sur la peau ou les vêtements peut s'enflammer et causer de graves brûlures. Nettoyez immédiatement toute éclaboussure sur la peau et changez de vêtements.
2. Éteignez cigares, cigarettes, pipes et tout autre objet susceptible de s'enflammer.
3. N'utilisez que des bidons d'essence homologués.
4. N'ouvrez pas le réservoir si le moteur est allumé ou encore chaud. Laissez le moteur refroidir pendant au moins cinq minutes avant de faire le plein.
5. Ne faites jamais le plein à l'intérieur.
6. N'entreposez jamais le tracteur ou les bidons d'essence à proximité d'une flamme nue, d'étincelles ou d'une veilleuse d'allumage (chauffe-eau, radiateur, chaudière, sècheuse, appareils fonctionnant au gaz).
7. En cas de débordement, essuyez l'essence sur le moteur et sur l'appareil. Essuyez les éclaboussures d'essence et d'huile et éliminez les débris souillés, puis changez ce dernier de place. Attendez cinq minutes avant de redémarrer le moteur.
8. Pour limiter les risques d'incendie, retirez les brins d'herbe, feuilles et autres débris accumulés sur le moteur. Consultez le chapitre Entretien pour obtenir plus d'instructions sur le nettoyage.
9. Cet appareil est conçu pour une utilisation non-professionnelle. Il peut tondre un gazon de 25 cm (10 pouces) de haut au maximum. Il n'est pas fait pour tondre les hautes herbes (par ex. dans un pré) ou pour déchiqueter des tas de feuilles mortes. Si des débris végétaux secs s'accumulent sous le plateau de coupe et atteignent le tuyau d'échappement, ils risquent de prendre feu.
10. Ne remplissez pas le réservoir à ras bord : l'essence se dilate en chauffant, alors laissez un espace d'environ un demi-pouce sous le col de remplissage.
11. Veillez à remettre correctement le bouchon du réservoir lorsque vous avez terminé. N'utilisez pas le tracteur sans bouchon de réservoir d'essence.
12. Laissez refroidir l'appareil pendant au moins cinq minutes avant de le ranger ou de faire le plein.
13. Ne remplissez jamais les bidons à l'intérieur d'un véhicule ou encore à l'arrière d'un camion ou d'une remorque à plancher de plastique. Placez toujours les bidons par terre et loin de votre véhicule pour les remplir.
14. Déchargez l'appareil et faites le plein par terre dans la mesure du possible. Si cela n'est pas possible, faites le plein avec un bidon plutôt que directement du pistolet distributeur.
15. Posez le pistolet du distributeur sur le rebord du réservoir ou du bidon pour faire le plein et ne le bloquez pas en position ouverte.

Consignes de sécurité importantes

Remorquage

1. Les rampes suffisamment hautes doivent être bien attachées à la remorque lorsque vous chargez ou déchargez le tracteur.
2. Soyez très prudent lorsque vous chargez ou déchargez le tracteur d'une remorque ou d'un camion. N'allumez pas le moteur pour charger ou décharger plus facilement. Vous risquez de renverser le tracteur en chutant de la rampe et de vous blesser grièvement. Chargez ou déchargez le tracteur moteur éteint.
3. Réglez le plateau de coupe à la position la plus haute.

Remorquage avec votre tracteur

1. Ne remorquez pas de charges supérieures à 113 kg (250 lb). Le poids exercé sur l'attache de remorque ne doit pas dépasser 22 kg (50 lb).
2. N'attelez la remorque qu'au point d'attache prévu à cet effet.
3. Ne laissez personne monter sur l'équipement remorqué, en particulier des enfants.
4. Ne vous engagez pas sur les pentes supérieures à 5° (9%). Attention lorsque vous remorquez un accessoire sur une pente : la traction des pneus est moindre et il est plus facile de perdre le contrôle du tracteur.
5. Faites attention, car votre tracteur peut effectuer des virages très serrés. Si vous remorquez un accessoire, vous risquez une mise en portefeuille. Prenez des tournants larges !
6. N'allez pas trop vite et n'attendez pas au dernier moment pour freiner ou vous arrêter.

Entretien

1. Gardez le tracteur en bon état de fonctionnement. Vous devez remplacer les pièces usées ou endommagées avant de vous servir du tracteur.
2. Un accident grave ou fatal peut résulter d'une modification du moteur, quelle qu'elle soit. Toute modification apportée au régulateur de vitesse peut provoquer l'emballement du moteur et accélérer dangereusement sa vitesse en état de marche. Ne modifiez jamais cet élément. Ne modifiez pas le réglage du régulateur de vitesse et ne faites pas tourner le moteur à une vitesse excessive. Le régulateur maintient le moteur au meilleur régime.
3. Les lames sont très tranchantes et doivent être manipulées prudemment. Enveloppez-les dans un chiffon ou portez des gants.
4. Le liquide des pompes hydrauliques et des systèmes d'alimentation par injection des tracteurs est sous pression. Le liquide hydraulique qui s'échappe sous haute pression peut pénétrer dans la peau et entraîner de graves blessures. Si un tel liquide entre en contact avec votre peau, obtenez immédiatement des soins médicaux. Tenez les mains et toute autre partie du corps éloignées des trous et des buses; le liquide hydraulique peut s'échapper. S'il y a une fuite, faites inspecter le tracteur dans un centre de service agréé.
5. Avant de nettoyer, de réparer ou d'examiner votre tracteur, vérifiez que les lames et autres pièces mobiles sont à l'arrêt. Arrêtez le moteur, retirez la clé de contact, débranchez le fil de bougie et mettez-le à la masse contre le moteur pour empêcher un démarrage accidentel.
6. Vérifiez régulièrement que les lames sont immobilisées dans les cinq secondes qui suivent le débrayage des lames. Consultez le calendrier d'entretien dans le chapitre Entretien de ce manuel. Vérifiez avec un chronomètre. Si ce n'est pas le cas, confiez votre tracteur à un concessionnaire pour y remédier.
7. Surveillez également le système de verrouillage de sécurité selon le calendrier d'entretien dans le chapitre Entretien de ce manuel. Si ce système ne fonctionne plus correctement, faites-le réparer par un concessionnaire.
8. Ne modifiez jamais le système de verrouillage de sécurité et les autres dispositifs de sécurité et vérifiez régulièrement qu'ils fonctionnent bien.

9. Vérifiez le serrage des lames et des boulons de montage du moteur selon le calendrier d'entretien. Pensez à vérifier l'état des lames. Si elles sont émoussées, tordues ou fissurées, remplacez-les que par des lames d'origine.
10. Attention, pour obtenir le meilleur de votre tracteur et éviter les accidents dus à des pièces non conformes aux spécifications du fabricant, n'utilisez que des pièces d'origine.
11. Assurez-vous régulièrement que tous les écrous, boulons et vis sont bien serrés et en bon état. Consultez le calendrier d'entretien pour plus d'informations concernant l'entretien de l'appareil.
12. Si vous heurtez un objet, arrêtez immédiatement le moteur, débranchez le fil de bougie et mettez-le à la masse contre le moteur. Vérifiez l'état du tracteur, et ne le redémarrez pas s'il est endommagé.
13. Arrêtez impérativement le moteur avant d'effectuer un réglage ou une réparation.
14. Quand le sac récupérateur ou le couvercle d'éjection sont usés ou cassés, les lames peuvent se trouver exposées, ce qui est dangereux et augmente le risque de blessures à cause de projections. Par mesure de sécurité, vérifiez souvent ces éléments. Si nécessaire, utilisez des pièces d'origine pour les remplacer.
15. Les avertissements figurant sur vos équipements doivent toujours être lisibles. Remplacez-les si ce n'est plus le cas.
16. Respectez la législation sur l'élimination des déchets liquides (essence, huile, etc.) afin de préserver l'environnement.

Avis concernant les émissions

Les moteurs certifiés conformes aux normes d'émission de la Californie et de l'Agence américaine de protection de l'environnement (EPA) pour équipements hors route (Small Off Road Equipment) sont conçus pour fonctionner à l'essence ordinaire sans plomb et peuvent être dotés des dispositifs antipollution suivants : modification du moteur (EM) et convertisseur catalytique à trois voies (TWC).

Certains modèles sont équipés de conduits et réservoirs à perméation faible pour limiter les émissions par évaporation. En Californie, certains modèles sont équipés d'un réservoir à charbon actif. Veuillez communiquer avec notre service de soutien technique pour tout renseignement concernant le contrôle des émissions par évaporation de votre modèle.

Pare-étincelles

AVERTISSEMENT

Cet tracteur est équipé d'un moteur à combustion interne. Le pot d'échappement doit obligatoirement être équipé d'un pare-étincelles conforme à la législation provinciale et locale (le cas échéant) pour pouvoir être utilisé sur un terrain boisé non entretenu, broussailleux ou herbeux ou en bordure d'un tel terrain.

L'utilisateur doit maintenir le bon fonctionnement du pare-étincelles, le cas échéant. Dans l'État de la Californie, la loi (article 4442, « California Public Resource Code ») exige l'utilisation d'un pare-étincelles. Il est possible que d'autres États aient des lois similaires. Les lois fédérales sont en vigueur sur les terres fédérales. Vous pouvez vous procurer un pare-étincelles pour le silencieux auprès d'un centre de service agréé ou en contactant le service à la clientèle de MTD Products Limited, C. P. 1386 Kitchener, Ontario. N2G 4J1.

Consignes de sécurité importantes

Signification des symboles

Vous trouverez ci-dessous les symboles de sécurité qui peuvent se trouver sur votre appareil.

Symbole	Description
 <p>OPESymbol.com</p>	<p>LISEZ LE MANUEL D'UTILISATION Veuillez lire toutes les consignes de sécurité et toutes les instructions de ce manuel avant d'utiliser l'appareil. Le non-respect de ces consignes peut entraîner des blessures corporelles. Conservez ce manuel en lieu sûr pour pouvoir le consulter ultérieurement et pour pouvoir commander des pièces de rechange. Balayez le code QR avec un téléphone pour avoir plus d'informations sur les avertissements. Le site www.OPESymbol.com offre aussi des renseignements à ce sujet.</p>
	<p>AVERTISSEMENT- RISQUE D'OBJETS PROJÉTÉS Ne permettez à personne de s'approcher à moins de 23 mètres (75 pieds) du tracteur en marche. Ramassez les pierres, brindilles, fils, os, jouets et autres objets qui pourraient être projetés ou sur lesquels vous pourriez trébucher. Il est dangereux d'utiliser ce tracteur sans son déflecteur d'éjection, ou avec un déflecteur endommagé.</p>
	<p>AVERTISSEMENT – RISQUE D'ÉCRASEMENT OU DE LAME TRANCHANTE Avant de reculer, retournez-vous pour vérifier soigneusement qu'il n'y a personne derrière le tracteur. Ne laissez pas les enfants monter sur le tracteur lorsque le moteur est en marche, même si les lames sont débrayées. Les enfants doivent être sous la surveillance d'un adulte autre que l'utilisateur de l'appareil et ne doivent pas s'approcher de la zone de travail. Coupez le moteur dès que quelqu'un s'approche.</p>
	<p>AVERTISSEMENT – RISQUE DE RENVERSEMENT N'utilisez pas cet appareil sur une pente supérieure à 15 degrés (25 %). Ne tondez pas perpendiculairement à la pente. Tondez dans le sens de la pente, mais jamais dans une pente de plus de 15° (25 %). Tondez lentement et ne tournez pas brusquement. Ne vous approchez pas à moins de 3 mètres (10 pieds) des rebords surélevés, des fossés, des remblais ou des rives.</p>
	<p>AVERTISSEMENT – RISQUE D'INCENDIE Cet appareil est conçu pour une utilisation non-professionnelle. Il peut tonde un gazon de 25 cm (10 pouces) de haut au maximum. Il n'est pas fait pour tonde les hautes herbes (par ex. dans un pré) ou pour déchiqueter des tas de feuilles mortes. Laissez l'appareil refroidir pendant au moins cinq minutes avant de faire le plein ou de le remiser.</p>
	<p>AVERTISSEMENT – RISQUE D'AMPUTATION N'approchez pas les pieds ou les mains ni des lames, ni du dessous du plateau de coupe : vous pourriez vous blesser grièvement, au point de devoir subir une amputation.</p>
	<p>AVERTISSEMENT – RISQUE D'AMPUTATION N'approchez les pieds ou les mains ni des lames, ni du dessous du plateau de coupe : vous pourriez vous blesser grièvement, au point de devoir subir une amputation. Gardez les dispositifs de sécurité (protections, interrupteurs, etc.) en place et en bon état de fonctionnement. Vous pourriez vous blesser avec les courroies et la fusée de la lame.</p>
	<p>AVERTISSEMENT – RETRAIT DE LA CLÉ DE CONTACT Avant de descendre du tracteur, débrayez les lames, engagez le frein de stationnement, serrez le frein à main, coupez le moteur et retirez la clé de contact. Arrêtez le moteur et retirez la clé de contact si vous laissez l'appareil sans surveillance.</p>
	<p>AVERTISSEMENT – RISQUE DE BLESSURES PENDANT LE REMORQUAGE Ne remorquez pas de charges supérieures à 113 kg (250 lb). Le poids exercé sur l'attache de remorque ne doit pas dépasser 22 kg (50 lb). Ne laissez personne monter sur l'équipement remorqué, en particulier des enfants. Ne vous engagez pas sur les pentes supérieures à 5°(9%). Attention lorsque vous remorquez un accessoire sur une pente : la traction des pneus est moindre et il est plus facile de perdre le contrôle du tracteur. N'allez pas trop vite et n'attendez pas le dernier moment pour freiner ou vous arrêter.</p>

▲ AVERTISSEMENT

Il est de votre responsabilité de vous assurer que seules des personnes capables de lire, de comprendre et de respecter les consignes de sécurité figurant sur le moteur et dans cette notice utilisent votre appareil.

CONSERVEZ CES INSTRUCTIONS !

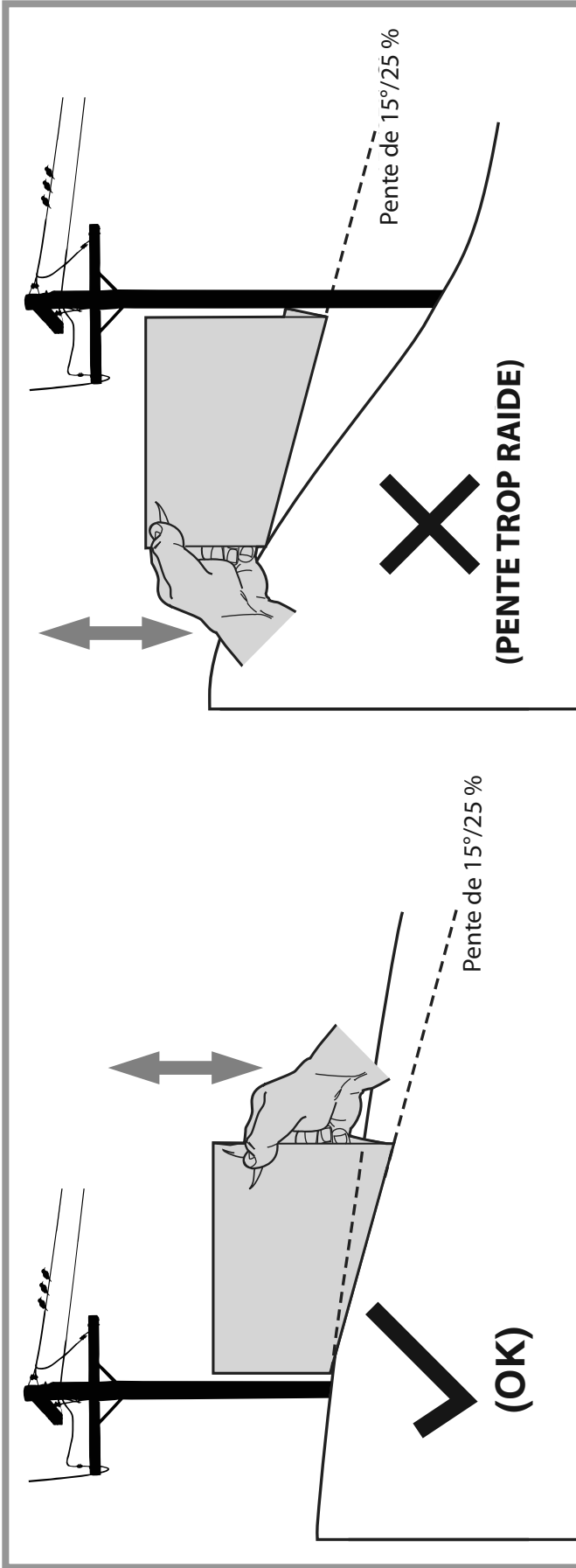


Figure 2

Figure 1

Ligne pointillée représentant une pente de 15°/25 %

Pour une utilisation sans danger, utilisez l'inclinomètre pour établir si la pente est trop raide !

Pour vérifier l'angle de la pente, procédez comme suit :

1. Enlevez cette page et pliez-la en suivant la ligne pointillée.
2. Repérez un objet vertical sur la pente ou à l'arrière de la pente (un poteau, un bâtiment, une clôture, un arbre, etc.).
3. Alignez un côté de l'inclinomètre avec l'objet (voir Figure 1 et Figure 2).
4. Réglez l'inclinomètre vers le haut ou vers le bas jusqu'à ce que le coin gauche touche la pente (voir Figure 1 et Figure 2).
5. S'il y a un écart sous l'inclinomètre, la pente est trop raide pour une utilisation sans danger (voir Figure 2).



AVERTISSEMENT ! Les pertes de contrôle et les renversements se produisent souvent sur des pentes et peuvent causer de graves blessures. N'utilisez pas cet appareil sur des pentes supérieures à 15 degrés. Travailler sur un terrain en pente demande des précautions supplémentaires. Si vous ne pouvez pas reculer sur la pente ou si vous ne vous sentez pas à l'aise de le faire, n'y travaillez pas. Tondez à travers la pente, et non de haut en bas.

MONTAGE

NOTE : Ce manuel est commun à plusieurs modèles dont les caractéristiques peuvent différer du vôtre, de même que le modèle illustré.

Note : Toutes les mentions de droite, gauche, avant et arrière ne s'entendent qu'à partir du poste de conduite. Les exceptions seront spécifiées, s'il y a lieu.

Référez-vous à la Figure 1 pour voir quel type de transmission est installé sur votre modèle : transmission à variation continue contrôlée par pédale, transmission à variation continue (TVC) ou transmission hydrostatique.

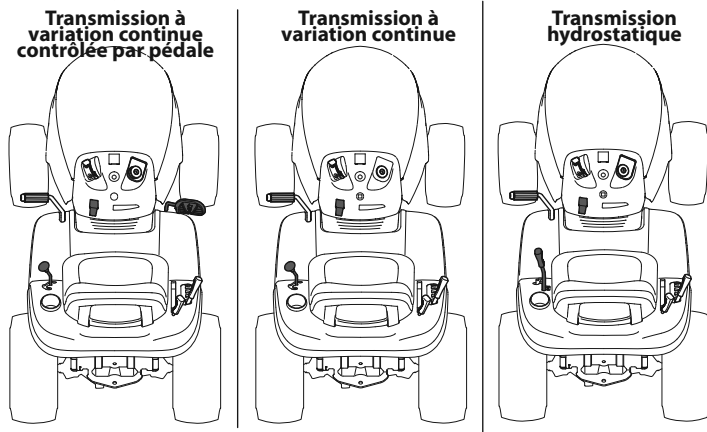


Figure 1

Déplacement manuel de l'appareil

Modèles avec transmission hydrostatique (le cas échéant)

1. Désengagez le frein de stationnement, s'il était actionné.
2. Engagez la tige de dérivation de la transmission pour déplacer le tracteur sans démarrer le moteur. La tige de dérivation de la transmission est située à l'arrière du tracteur, sur le châssis. Tirez la tige de dérivation vers l'extérieur et vers le bas pour l'engager. Voir Figure 2.

NOTE : Si le tracteur ne peut pas être déplacé ou s'il ne roule pas librement lorsqu'il est poussé, il est possible que la tige de dérivation ne soit pas complètement ressortie ou que le frein de stationnement soit engagé.

NOTE : La transmission ne s'engage pas lorsque la tige de dérivation est engagée. Remplacez la tige dans sa position normale avant d'utiliser le tracteur de nouveau.

3. Après avoir déplacé l'appareil, effectuez les étapes dans l'ordre inverse pour désengager la tige de dérivation.

Modèles avec transmission à variation continue contrôlée par pédale (le cas échéant)

1. Désengagez le frein de stationnement, s'il était actionné.
2. Placez le levier de vitesses à la position neutre.

Installation du siège (le cas échéant)

Réglage du boulon ou du bouton

NOTE : À l'expédition, le siège peut être fixé avec une attache en plastique au support de pivotement du siège ou être installé à l'envers du support de pivotement. Procédez comme suit pour installer le siège :

1. Désinstallez le siège de sa position d'expédition.
2. Enlevez le bouton de réglage du siège ou le boulon de réglage de 9/16 po sous le siège (b). Voir Figure 3.

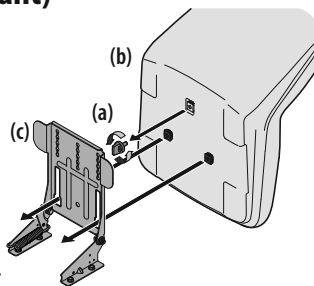


Figure 3

3. Alignez le siège (b) avec le support de pivotement du siège (c), comme illustré sur la Figure 3, et installez le siège (b) sur le support du siège en insérant les deux encoches sous le siège (c) dans les fentes du support de pivotement (c).

4. Faites glisser le siège (b) vers l'arrière dans le support de pivotement (c) en alignant la fente centrale du support avec le trou libre sur la base du siège (b). Voir Figure 4.

NOTE : Assurez-vous que les deux encoches du siège s'enclenchent dans le support de pivotement, comme illustré dans l'encadré de la Figure 4.

5. Placez le siège (b) à la position désirée et fixez-le avec le bouton de réglage ou le boulon de 9/16 po (a) retiré antérieurement. Voir Figure 2.

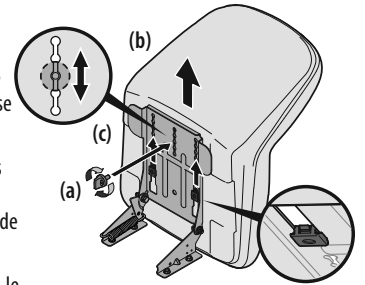


Figure 4

Réglage du levier

NOTE : Le siège est livré avec l'interrupteur du siège et le support du siège déjà installés.

1. Coupez toutes les courroies de fixation qui fixent le siège à l'appareil. Enlevez tout le matériel d'emballage.

NOTE : Veillez à ne pas couper le faisceau de fils qui relie l'interrupteur du siège au siège.

2. Retirez les deux boulons à épaulement (a) et les deux écrous autobloquants (b) du plateau du siège. Voir Figure 5.

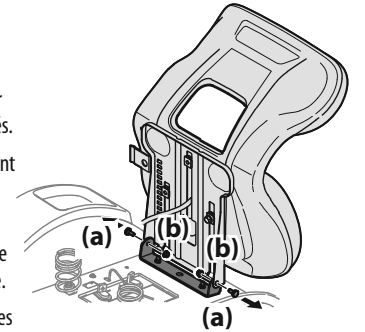


Figure 5

3. Faites basculer le siège vers l'arrière en position de conduite et placez un tournevis Phillips dans un des trous de fixation du siège et du support pour les aligner.

4. Fixez un côté du siège au support avec les boulons à épaulement (a) et les écrous autobloquants (b) retirés à l'étape 3. Retenez le siège pendant que vous enlevez le tournevis Phillips et que vous fixez l'autre côté. Prenez garde de ne pas coincer ou endommager le faisceau de fils pendant que vous installez le siège. Voir Figure 6. Serrez le boulon à un couple de 9,5 à 11,6 N m (de 84 à 103 po-lb).

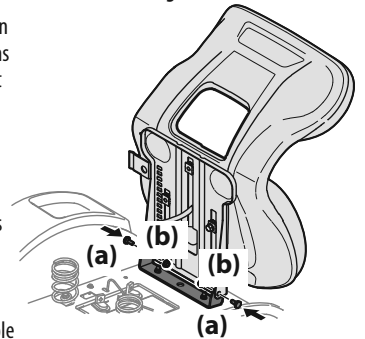


Figure 6

5. Faites enclencher l'attache pour retenir l'excédent de fil à l'aile. Voir Figure 7.

Protecteur de tableau de bord (sur certains modèles)

1. Si le protecteur (a) de tableau de bord n'a pas été installé en usine, la quincaillerie de montage du protecteur (a) se trouve sur le tableau de bord. Retirez les deux boulons (b) du protecteur du tableau de bord (a). Voir Figure 8.

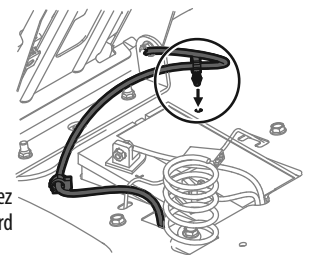


Figure 7

2. Installez le protecteur (a) du tableau de bord et alignez les trous de montage. Voir Figure 8.

3. Fixez le protecteur (a) sur le tableau de bord (c) avec les boulons (b) retirés à l'étape 1. Voir Figure 8.

Installation du couvercle du capot (le cas échéant)

Note : Prenez garde de ne pas endommager le faisceau lorsque vous installez ce couvercle.

1. Coupez les attaches de câble qui fixent le couvercle de prise d'air du capot sur le tracteur.

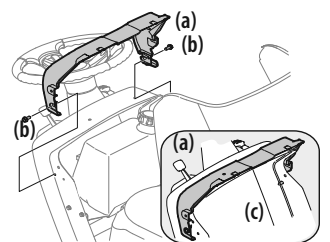


Figure 8

MONTAGE

- Retirez les quatre vis déjà installées sur la prise d'air et conservez-les pour l'étape suivante.
- Enclenchez le couvercle de prise d'air sur le capot. Voir Figure 9.
- Installez la prise d'air sur le capot du tracteur et fixez sa face inférieure au capot avec les quatre vis retirées antérieurement.

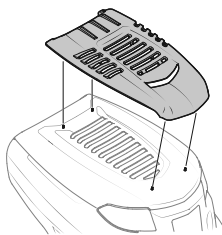


Figure 9

Installation du volant de direction (le cas échéant)

La quincaillerie pour installer le volant de direction se trouve sous le capuchon du volant. Soulevez soigneusement le capuchon pour retirer la quincaillerie.

IMPORTANT! N'utilisez pas d'outils à percussion pour installer ou retirer le volant car cela peut causer un surcouple et endommager l'attache.

- Enlevez les clés attachées au support du déflecteur d'éjection.
- Assurez-vous que les roues de l'appareil sont dirigées vers l'avant, puis placez le volant de direction (a) sur l'arbre de direction (b). Voir Figure 10.
- Fixez le volant de direction avec le boulon hexagonal qui se trouve sous le capuchon. Serrez le boulon à un couple de 18 à 22 pi/lb (24,4 à 29,8 N-m).
- Placez le couvercle du volant de direction (e) au centre du volant de direction (a) et poussez-le jusqu'à ce qu'il s'enclenche en place.

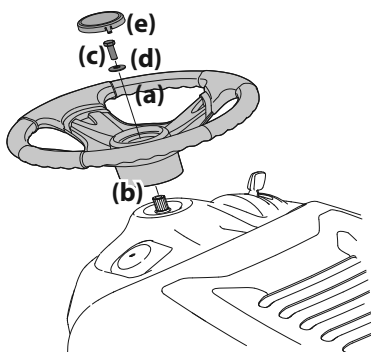


Figure 10

NOTE: Un enduit frein est appliqué sur le boulon (c) qui fixe le volant de direction (a). Si vous retirez le boulon, il est recommandé d'appliquer de l'enduit frein ou de remplacer le boulon.

Déflecteur d'éjection du plateau de coupe (si équipé)

⚠ AVERTISSEMENT

N'utilisez pas le plateau de coupe si le déflecteur d'éjection n'est pas installé et placé en position abaissée.

Plateaux de coupe de 46 po

- Enlevez les clés qui sont attachées au support du déflecteur d'éjection.
- Retirez l'écrou autobloquant à bride et le boulon hexagonal du plateau de coupe.
- Placez le déflecteur d'éjection sur le plateau de coupe en insérant les pattes du déflecteur d'éjection dans les trous du plateau de coupe. Voir Figure 11.
- Glissez le déflecteur d'éjection vers l'arrière de l'appareil jusqu'à ce que le trou du boulon sur le déflecteur d'éjection s'aligne avec le trou du plateau de coupe. Voir Figure 18.
- Fixez le déflecteur d'éjection avec l'écrou autobloquant à bride et le boulon hexagonal retirés à l'étape 2. Serrez à un couple de 11,5 à 14 N m (102-124 po-lb). Voir Figure 11. Passez à la sous-section Réglage des roues de jauge du plateau.

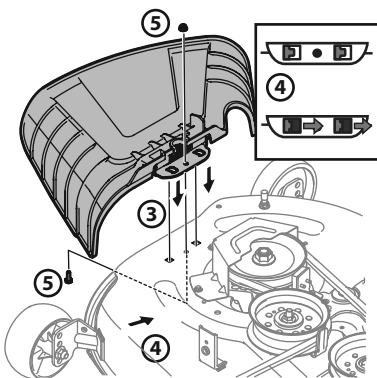


Figure 11

Plateaux de coupe de 42, 50 et 54 po

- Repérez le support qui retient le déflecteur d'éjection en position verticale à des fins d'expédition. Retirez le support utilisé pour l'expédition du déflecteur d'éjection, si présent, avant d'utiliser l'appareil. Relevez le déflecteur d'éjection et maintenez-le dans cette position pour enlever le support.
- Abaissez le déflecteur d'éjection et jetez le support. Voir Figure 12.

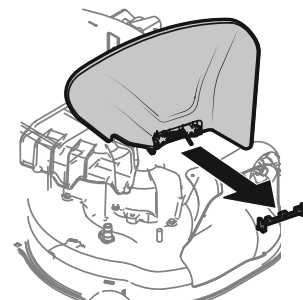


Figure 12

NOTE: Les modèles dotés d'un plateau de coupe de 36 pouces sont équipés de bouchon de déchiquetage en plus que d'un déflecteur d'éjection, donc ils n'ont pas de support d'expédition.

Réglage des roues du plateau de coupe (sur certains modèles)

NOTE: Les roues du plateau de coupe préviennent le dégazonnement de la pelouse et ne sont pas conçues pour soutenir le plateau de coupe.

- Stationnez l'appareil sur une surface plane, préférablement asphaltée.
- Vérifiez la pression des pneus et réglez-la au besoin. La pression appropriée est indiquée sur le flanc du pneu.
- Vérifiez que le plateau de coupe est de niveau latéralement et bien ajusté. Consultez le chapitre Entretien pour plus d'informations sur la mise à niveau du plateau de coupe.
- Placez le levier de relevage du plateau de coupe à la position de coupe désirée.
- Vérifiez s'il y a trop de jeu ou de contact entre les roues antidégauchement avant et le sol.

NOTE: Les roues antidégauchement doivent être de 1/4 à 1/2 po au-dessus du sol.

Procédez comme suit pour régler les roues :

- Placez le levier de relevage du plateau de coupe à la plus haute position.
- Retirez les écrous autobloquants (c) et les boulons à épaulement (d) qui fixent les roues au plateau de coupe, puis enlevez les roues avant (a) et arrière (b). Voir Figure 13.
- Placez le levier de relevage du plateau de coupe à la position de coupe désirée.
- Reposez le boulon à épaulement de chaque roue dans le trou approprié de sorte que la roue soit à environ 13 mm (1/2 po) du sol. Serrez chaque écrou autobloquant et boulon à 34-40 N m (25-30 pi-lb) avec une clé dynamométrique.

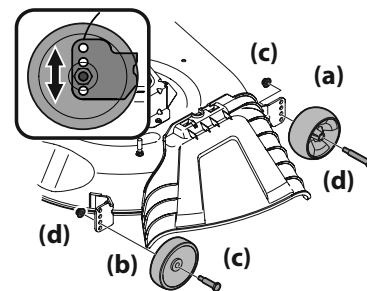


Figure 13

NOTE: Consultez le sous-chapitre Réglage des roues du plateau de coupe du chapitre Entretien de ce manuel pour plus d'instructions sur les différents réglages du plateau de coupe.

Informations sur la batterie

⚠ AVERTISSEMENT

Avertissement DE LA PROPOSITION 65 DE LA CALIFORNIE: Les bornes et les cosses de batterie ainsi que les accessoires connexes contiennent du plomb et des composés de plomb, soit des produits chimiques reconnus par l'État de Californie comme cancérigènes et pouvant provoquer des effets nuisibles à la reproduction. Lavez-vous les mains après toute manipulation.

MONTAGE

⚠ AVERTISSEMENT

En cas d'éclaboussures accidentelles d'électrolyte dans les yeux ou sur la peau, rincez la zone affectée immédiatement avec de l'eau propre et froide. Obtenez immédiatement des soins médicaux.

Si l'électrolyte se répand sur vos vêtements, lavez-les à l'eau froide. Neutralisez ensuite l'électrolyte avec une solution d'ammoniac et d'eau ou une solution de bicarbonate de soude et d'eau.

Ne branchez (et ne débranchez) jamais les pinces du chargeur de batterie lorsque le chargeur est sous tension car cela peut provoquer des étincelles.

Gardez la batterie loin des flammes et des sources d'étincelles (cigarettes, allumettes, briquets). Les gaz produits pendant la charge sont inflammables.

Par mesure de précaution supplémentaire, chargez toujours la batterie dans un endroit aéré.

Prenez soin de protéger vos yeux, votre peau et vos vêtements lorsque vous manipulez une batterie.

Les batteries contiennent de l'acide sulfurique et peuvent dégager des gaz explosifs. Soyez très prudent lorsque vous manipulez une batterie. Gardez les batteries hors de portée des enfants.

⚠ ATTENTION

Branchez toujours le câble POSITIF (rouge) à sa borne avant le câble NÉGATIF (noir).

Note : La borne positive de la batterie est identifiée par POS (+). La borne négative de la batterie est identifiée par NEG (-).

Branchement des câbles de la batterie

⚠ AVERTISSEMENT

Branchez toujours le câble POSITIF (rouge) à sa borne avant le câble NÉGATIF (noir).

Aux fins d'expédition, les deux câbles de batterie de votre appareil peuvent avoir été débranchés en usine. Procédez comme suit pour brancher les câbles de la batterie :

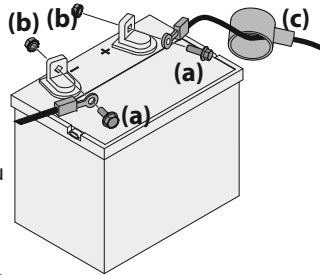


Figure 14

1. Retirez le protecteur en plastique, le cas échéant, de la borne positive. Connectez le raccord rouge à la borne positive (+) avec un boulon (a) et un écrou (b). Voir Figure 14.
2. Retirez le protecteur en plastique, le cas échéant, de la borne négative de la batterie et fixez le câble noir à la borne négative (-) avec un boulon (a) et un écrou (b). Voir Figure 14.
3. Remplacez le capuchon rouge en caoutchouc (c) sur la borne positive de la batterie pour la protéger contre la corrosion.

NOTE : Si la batterie est mise en service après la date indiquée sur le dessus ou sur le côté de la batterie, rechargez-la selon les instructions du chapitre Entretien de ce manuel avant d'utiliser l'appareil.

Entretien de la batterie

- La batterie est remplie d'électrolyte et scellée à l'usine. Cependant, même une batterie « sans entretien » demande un peu d'entretien de temps à autre pour assurer son cycle de vie complet.
- Vaporisez les bornes et les fils exposés avec un scellant approprié ou appliquez une mince couche de graisse ou de gelée de pétrole sur les bornes pour les protéger contre la corrosion.
- Assurez-vous que les câbles et les bornes de la batterie sont toujours propres et non corrodés.
- Évitez de faire basculer la batterie. L'électrolyte peut s'échapper de la batterie même si elle est scellée.

Remisage de la batterie

- Lorsque vous remisez l'appareil pour une longue période, débranchez le câble négatif de la batterie. Il n'est pas nécessaire de retirer la batterie.
- Toutes les batteries se déchargent pendant le remisage. Gardez l'extérieur de la batterie (surtout la partie supérieure) propre. Une batterie sale se décharge plus rapidement.
- La batterie doit être complètement chargée avant d'être remise. Une batterie déchargée gèle plus rapidement qu'une batterie chargée. Une batterie complètement chargée se conserve plus longtemps à des températures basses qu'à des températures élevées.
- Rechargez la batterie avant de vous en servir. L'appareil peut démarrer, mais le système de charge du moteur peut ne pas recharger la batterie complètement.

Démontage de la batterie

⚠ AVERTISSEMENT

Les bornes et les cosses de batterie ainsi que les accessoires connexes contiennent du plomb et des composés de plomb. Lavez-vous les mains après toute manipulation.

La batterie est située sous le châssis du siège. Pour retirer la batterie :

1. Sur l'aide à droite, appuyez sur la tige de retenue en poussant et en sortant l'extrémité courbée de la languette. Faites pivoter la tige de retenue de la batterie vers le haut et retirez la batterie. Voir Figure 15.
2. Retirez la vis d'assemblage et l'écrou qui fixent le câble négatif (noir) à la borne négative de la batterie (NEG). Placez le câble loin de la borne négative de la batterie.
3. Retirez la vis d'assemblage et l'écrou qui fixent le câble positif (rouge) à la borne positive de la batterie (POS).
4. Enlevez la batterie avec précaution.
5. Pour installer la batterie, suivez les étapes ci-dessus dans l'ordre inverse.

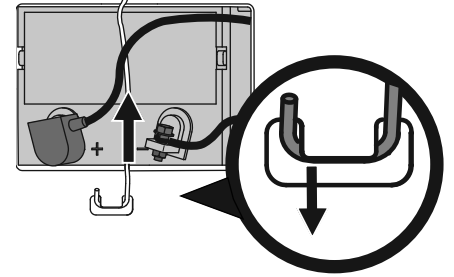


Figure 15

Recharge de la batterie

Si l'appareil a été remis pendant une longue période, vérifiez la batterie et rechargez-la au besoin.

- Le voltmètre, ou le testeur de charge, doit indiquer 12,6 V (CC) ou plus aux deux bornes de batterie. Voir Figure 16.
- Rechargez la batterie avec un chargeur de batterie de 12 V réglé à 10 A au MAXIMUM.

Tension lue au voltmètre	État de charge	Temps de charge
12,7	100 %	Charge complète
12,4	75%	90 min
12,2	50%	180 min
12,0	25%	280 min

Figure 16

Réglage du siège

Réglage du bouton ou du boulon

Pour régler la position du siège, retirez le bouton de réglage ou le boulon de 9/16 po (a) qui se trouve sous le siège (b). Faites glisser le siège (b) vers l'avant ou l'arrière comme désiré. Remplacez le bouton de réglage ou le boulon de 9/16 po (a). Voir Figure 4.

Réglage du levier

Pour régler la position du siège, tirez le levier de réglage du siège vers le haut. Glissez le siège vers l'avant ou vers l'arrière à la position désirée, puis relâchez le levier de réglage. Assurez-vous que le siège est verrouillé avant d'utiliser l'appareil. Voir Figure 17.

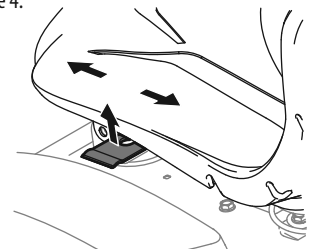


Figure 17

Huile

NOTE : L'appareil est expédié avec de l'huile dans le moteur. Il est toutefois recommandé de vérifier le niveau d'huile avant d'utiliser l'appareil. Pour l'ajout de nouvelle huile et la vérification du niveau d'huile, consultez la notice d'utilisation du moteur pour obtenir les instructions.

⚠ ATTENTION

Vérifiez le niveau d'huile à moteur avant chaque utilisation selon les instructions de la notice d'utilisation du moteur. Ajoutez de l'huile au besoin. Un manque d'huile peut causer de graves dommages au moteur.

UTILISATION

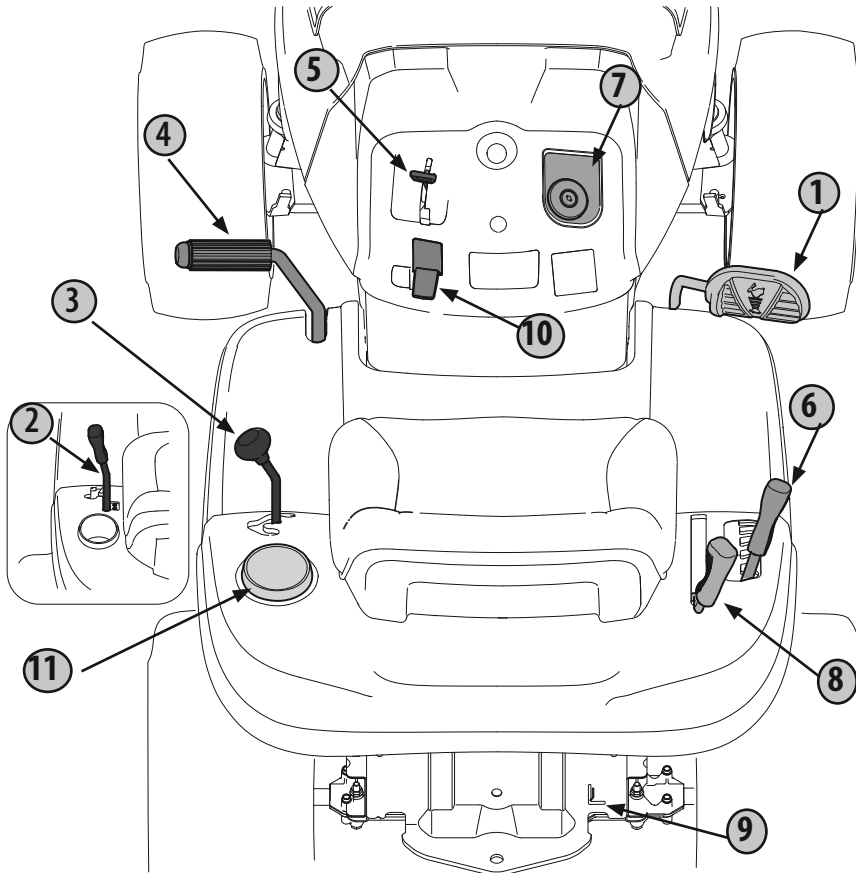


Figure 18

Note : Ce manuel est commun à plusieurs modèles dont les caractéristiques peuvent différer de votre, de même que le modèle illustré.

NOTE : Toutes les mentions de GAUCHE, DROITE, AVANT et ARRIÈRE ne s'entendent qu'à partir du poste de conduite.

① Modèles avec transmission à variation continue contrôlée par pédale (le cas échéant)

Appuyez sur la pédale de marche avant pour faire avancer l'appareil. Plus vous appuyez sur la pédale, plus l'appareil se déplace rapidement. La pédale revient à sa position initiale (neutre) lorsqu'elle est relâchée.

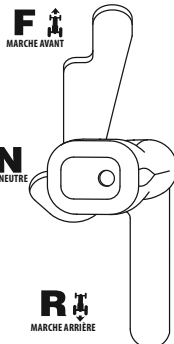
② Levier de changement de vitesse (modèles avec transmission hydrostatique)

Pour avancer ou reculer, déplacez lentement le levier de contrôle de vitesse à la position désirée, soit « F » pour avancer ou « R » pour reculer.

Pour arrêter, placez le levier de changement de vitesse à la position neutre (N).

Pour tondre, placez le levier de changement de vitesse à la position de coupe ou à une vitesse plus lente.

NOTE : N'utilisez pas la pédale du frein de stationnement pour ralentir ou aller plus vite. Utilisez toujours le levier de changement de vitesse pour ralentir. Si vous appuyez sur la pédale de frein de stationnement alors que le levier de changement de vitesse est engagé, la courroie d'entraînement s'usera prématurément.



IMPORTANT : Ne changez pas de direction lorsque l'appareil est en mouvement car cela peut gravement endommager la transmission. Effectuez un arrêt complet avant de changer de direction (de la marche avant à la marche arrière ou vice versa).

③ Levier de vitesse (modèles avec transmission à variation continue contrôlée avec ou sans pédale)

Le levier de changement de vitesse est situé sur la console centrale, entre les deux sièges, et présente trois positions (MARCHÉ AVANT, NEUTRE et MARCHÉ ARRIÈRE). La pédale de frein doit être complètement enfoncée et le tracteur doit être immobile lorsque le levier de changement de vitesses est déplacé.

IMPORTANT : Ne forcez jamais le levier de changement de vitesses car cela peut gravement endommager la transmission.

④ Pédale d'embrayage et de frein

Pendant que le tracteur avance, appuyez sur la pédale de frein pour l'arrêter et pour serrer le frein de stationnement.

Note : Les pédales de frein et d'embrayage et de frein doivent être complètement enfoncées pour permettre le démarrage du moteur. Consultez le sous-chapitre Système de verrouillage de sécurité pour obtenir plus de détails.

⑤ Levier d'accélération / d'étrangleur

Certains modèles sont dotés d'un étrangleur automatique. Déplacez le levier d'accélération/d'étrangleur vers l'avant pour augmenter la vitesse. L'appareil est conçu pour fonctionner avec le levier d'accélérateur à la position RAPIDE (plein régime) lorsque l'appareil avance et le plateau de coupe est engagé. Déplacez le

levier d'accélération/d'étrangleur vers l'arrière pour réduire le régime du moteur. Lorsque le moteur est démarré, s'il est équipé du levier d'accélération / d'étrangleur, poussez le levier vers l'avant à la position ÉTRANGLEUR. Lorsque le moteur est en marche, déplacez le levier vers l'arrière jusqu'à ce qu'il ait passé le point de friction. Ce levier n'est pas utilisé pour contrôler la vitesse de l'appareil, il doit être maintenu à la position RAPIDE lorsque les lames sont embrayées.

⑥ Levier de relevage du plateau de coupe

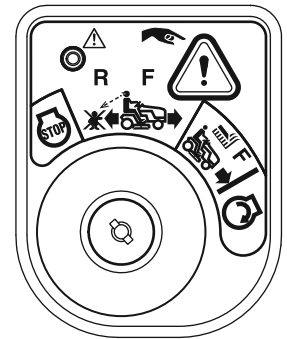
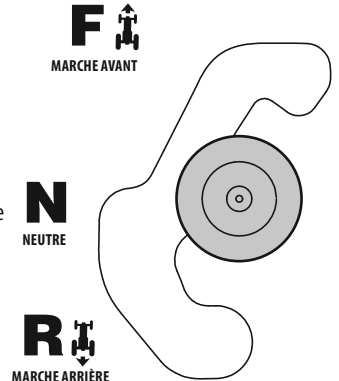
Le levier de relevage du plateau de coupe sert à relever et abaisser le coupe. Tirez le levier vers la gauche pour le faire sortir de la barre de réglage et déplacez-le vers le bas pour abaisser le plateau ou tirez-le vers le haut pour le relever. Lorsque le plateau de coupe est à la hauteur voulue, poussez le levier vers la droite jusqu'à ce qu'elle soit bien enclenchée dans l'encoche.

⑦ Commutateur d'allumage

⚠ AVERTISSEMENT

Ne laissez jamais votre tracteur en marche sans surveillance. Débrayez toujours la prise de force, engagez le frein de stationnement, arrêtez le moteur et retirez la clé de contact pour empêcher tout démarrage accidentel.

Consultez le sous-chapitre Démarrage du moteur pour des renseignements sur le démarrage du moteur. Consultez le sous-chapitre Arrêt du moteur pour des renseignements sur l'arrêt du moteur.



UTILISATION

AVERTISSEMENT

Avant d'utiliser l'appareil, consultez les sous-chapitres **Système de verrouillage de sécurité et Démarrage du moteur** du chapitre Utilisation de ce manuel pour plus d'instructions sur le module du commutateur d'allumage et le mode de tonte en marche arrière.

⑧ Levier de la prise de force (embrayage des lames)

Le levier de la prise de force est utilisé pour embrayer le plateau de coupe ou tout autre accessoire (disponible séparément). Consultez le sous-chapitre Embrayage de la prise de force pour obtenir plus d'informations sur l'utilisation de la prise de force.

⑨ Tige de dérivation de la transmission (hydrostatique)

Lorsqu'elle est engagée, la tige ouvre la soupape de dérivation dans la transmission hydrostatique, permettant ainsi de déplacer l'appareil manuellement sur de courtes distances. Consultez le chapitre Montage pour obtenir plus d'informations sur l'utilisation du levier de dérivation des transmissions.

⑩ Frein de stationnement ou frein de stationnement avec levier de commande de la TVC

Il est utilisé pour engager le frein de stationnement et sélectionner les vitesses des modèles avec une transmission à variation continue. Consultez le chapitre Utilisation de ce manuel pour obtenir plus d'informations sur l'utilisation du frein de stationnement.

Note : Engagez toujours le frein de stationnement lorsque vous quittez le poste de conduite pendant que le moteur tourne, sinon le moteur s'arrêtera automatiquement.

⑪ Porte-gobelet

Le porte-gobelet se trouve à gauche du siège du conducteur.

Phares (non indiqué)

Sur certains tracteurs les phares s'allument lorsque la clé de contact est tournée hors de la position ARRÊT (STOP). Les phares s'éteignent lorsque la clé de contact revient à la position ARRÊT (STOP).

Les phares de certains modèles s'allument lorsque le moteur est en marche. Si vous tournez la clé à la position d'arrêt, les phares s'éteignent.

Utilisation

Avant d'utiliser votre appareil

- En premier lieu, consultez le calendrier d'entretien des pièces à entretenir régulièrement que vous trouverez plus loin dans ce manuel.
- Le moteur de l'appareil est conçu pour fonctionner avec de l'essence propre, fraîche et sans plomb. Utilisez de l'essence propre, fraîche, sans plomb, avec un indice d'octane de 87 ou plus.
- N'utilisez pas de l'essence de la saison précédente pour réduire la formation de dépôts dans le système d'alimentation.
- L'essence-alcool (comprenant jusqu'à 10 % d'alcool éthylique et 90 % d'essence sans plomb en volume) est un carburant approuvé. Les autres mélanges d'essence et d'alcool ne sont pas approuvés.
- Les mélanges de méthyl tert-butyl éther (MTBE) et d'essence sans plomb (jusqu'à un maximum de 15 % de MTBE en volume) sont approuvés. Les autres mélanges d'alcool et d'éther ne sont pas approuvés.

Système de verrouillage de sécurité

AVERTISSEMENT

N'utilisez pas l'appareil si un composant du système de verrouillage est défectueux. Ce système a été conçu pour votre sécurité et votre protection.

Cet appareil est équipé d'un système de verrouillage de sécurité pour assurer la protection de l'utilisateur. Si ce système ne fonctionne pas correctement, n'utilisez pas l'appareil. Contactez un centre de service agréé.

- Le système de verrouillage de sécurité empêche le démarrage du moteur si le frein de stationnement n'est pas engagé, si l'utilisateur s'est levé du siège, si la pédale de frein n'est pas appuyée à fond et si le bouton de la prise de force ou le levier de la prise de force n'est pas à la position débrayée.
- Le moteur s'arrête automatiquement si l'utilisateur quitte le poste de conduite sans engager le frein de stationnement.
- Le moteur s'arrête automatiquement si l'utilisateur quitte le poste de conduite quand le levier de la prise de force est à la position embrayée, que le frein de stationnement soit engagé ou non.
- Lorsque la clé de contact est à la position de tonte normale, la prise de force est automatiquement débrayée si le levier de la prise de force est placé à la position embrayée quand la commande de vitesse est placée à la position de marche arrière.

Vérification des circuits du système de sécurité

Vérifiez régulièrement le bon fonctionnement des circuits du système de sécurité. Si un circuit ne fonctionne pas comme prévu, contactez un centre de service agréé pour faire inspecter l'appareil. N'utilisez pas l'appareil si un circuit du système de sécurité ne fonctionne pas correctement. Procédez comme suit pour vérifier les circuits de sécurité :

1. Assurez-vous que le moteur est arrêté et que vous êtes assis avant de placer le bouton ou le levier de la prise de force à la position embrayée. Tournez brièvement la clé de contact à la position de démarrage. Le moteur ne devrait pas démarrer.
2. Levez-vous pendant que le moteur est en marche et que le frein de stationnement n'est pas serré. Le moteur devrait s'arrêter.
3. Embrayez la prise de force avec le frein de stationnement serré. Soulevez-vous du siège du conducteur. Le moteur devrait s'arrêter.

Démarrage du moteur

ATTENTION

L'utilisateur doit être assis pour démarrer le moteur.

1. Insérez la clé de contact dans le commutateur d'allumage.
2. Débrayez la prise de force.
3. Engagez le frein de stationnement.
4. Poussez la commande d'accélération vers le haut. Si votre appareil est doté d'un levier d'accélération / d'étrangleur, poussez le levier au-delà du point de friction de l'étrangleur.
Note : Il n'est pas nécessaire d'étrangler le moteur s'il est déjà chaud.
5. Tournez la clé de contact vers la droite à la position de démarrage. Relâchez la clé dès que le moteur démarre. La clé retournera automatiquement à la position de tonte normale.

ATTENTION

Ne tenez pas la clé dans la position de démarrage pendant plus de dix secondes à la fois car cela risque d'endommager le démarreur électrique du moteur.

6. Pendant que le moteur est en marche, tirez graduellement le levier d'accélérateur / d'étrangleur vers l'arrière, au-delà du point de friction de l'étrangleur. N'utilisez pas l'étrangleur pour enrichir le mélange d'essence. Utilisez l'étrangleur au besoin pour faire démarrer le moteur.
7. Laissez le moteur en marche à mi-régime pendant quelques minutes avant d'appliquer une charge.

Note : Assurez-vous que le levier d'accélération est toujours à la position RAPIDE lorsque vous utilisez l'appareil.

UTILISATION

Démarrage du moteur à l'aide de câbles de démarrage

AVERTISSEMENT

Les batteries contiennent de l'acide sulfurique et peuvent dégager des gaz explosifs. Assurez-vous que la zone de travail est bien aérée, portez des gants et des lunettes de protection et évitez de produire des flammes et des étincelles près de la batterie.

Si la charge de la batterie est insuffisante pour faire démarrer le moteur, rechargez la batterie. Si vous n'avez pas de chargeur de batterie, utilisez une batterie d'appoint pour démarrer le moteur. Branchez la batterie d'appoint comme suit :

1. Branchez l'extrémité d'un câble à la borne positive de la batterie déchargée, puis branchez l'autre extrémité du câble à la borne positive de la batterie d'appoint.
2. Branchez l'extrémité de l'autre câble à la borne négative de la batterie d'appoint, puis branchez l'autre extrémité de ce câble au châssis de l'appareil, le plus loin possible de la batterie.
3. Démarrez le moteur de l'appareil selon les instructions de démarrage normal précédentes. Débranchez ensuite les câbles de démarrage dans l'ordre inverse de leur branchement.
4. Faites vérifier et réparer le système électrique de l'appareil dès que possible pour ne pas avoir à recharger la batterie de nouveau.

Arrêt du moteur

1. Si les lames sont embrayées, poussez le levier de la prise de force vers l'arrière pour débrayer la prise de force.
2. Engagez le frein de stationnement.
3. Placez le levier d'accélération à mi-chemin entre la position RAPIDE et la position LENTE.
4. Tournez la clé de contact vers la gauche à la position ARRÊT (STOP).

Utilisation de l'appareil

AVERTISSEMENT

- Appuyez toujours doucement sur les pédales de déplacement, de commande de vitesse (si équipé) et de frein. Tout mouvement brusque des pédales peut affecter la stabilité de l'appareil et causer son renversement, ce qui peut entraîner de graves blessures, voire la mort.
- Un virage très serré risque de réduire le contrôle de l'appareil. Ralentissez TOUJOURS avant d'effectuer un virage serré.
- Ne vous levez pas sans avoir débrayé la prise de force et serré le frein de stationnement. Arrêtez le moteur et retirez la clé de contact si vous laissez l'appareil sans surveillance.

Hydrostatique

1. Placez le levier d'accélération à la position RAPIDE.
2. Appuyez sur la pédale de frein et déplacez le levier du frein de stationnement hors de la position de frein de stationnement.
3. Pour vous déplacer en marche avant, appuyez doucement sur la pédale de marche avant jusqu'à ce que vous atteigniez la vitesse désirée.
4. Pour vous déplacer en marche arrière, regardez d'abord derrière vous, puis appuyez doucement sur la pédale de marche arrière jusqu'à ce que vous atteigniez la vitesse désirée.
5. Plus vous appuyez sur la pédale, plus l'appareil se déplace rapidement.
6. **Pour arrêter**, placez le levier de changement de vitesse à la position neutre (N).

Transmission à variation continue

1. Placez le levier d'accélération à la position RAPIDE.
2. Appuyez sur la pédale d'embrayage et de frein et déplacez le levier de frein de stationnement / levier de commande de la TVC à la position désirée pour faire avancer le tracteur.

IMPORTANT : Les utilisateurs novices doivent utiliser l'appareil à la vitesse 1 ou 2. Il est recommandé aux utilisateurs novices de se familiariser avec les commandes de l'appareil avant d'utiliser le tracteur à des vitesses plus élevées.

3. Placez le levier de changement de direction à la position marche avant (F) ou marche arrière (R).

AVERTISSEMENT

N'utilisez pas le levier de changement de vitesse lorsque l'appareil est en mouvement. Utilisez toujours la pédale d'embrayage et de frein pour immobiliser le tracteur avant d'utiliser le levier de changement de vitesse.

4. Relâchez lentement la pédale de frein et d'embrayage pour faire démarrer le tracteur.
5. Pour arrêter, appuyez la pédale de frein et d'embrayage.

Si l'appareil cale lorsque le levier de changement de vitesse est à haute vitesse ou si l'appareil ne fonctionne pas lorsque ce levier est à faible vitesse, procédez comme suit :

1. Appuyez sur la pédale d'embrayage et de frein.
2. Placez le levier de changement de direction à la position neutre (N).
3. Redémarrez le moteur.
4. Placez le levier de commande de la TVC à la position de vitesse la plus haute.
5. Relâchez complètement la pédale d'embrayage et de frein.
6. Appuyez sur la pédale d'embrayage et de frein.
7. Ajustez le levier de commande de la TVC à la position désirée.
8. Placez le levier de changement de vitesse à la position marche avant ou marche arrière et suivez les procédures d'utilisation normales.

Transmission à variation continue contrôlée par pédale

1. Placez le levier d'accélération à la position RAPIDE.
2. Appuyez sur la pédale de frein et déplacez le levier de commande de la TVC hors de la position de stationnement.
3. Placez le levier de changement de vitesse à la position marche avant ou marche arrière.
4. Relâchez complètement la pédale d'embrayage et de frein.
5. Appuyez graduellement sur la pédale de déplacement. Plus vous appuyez sur la pédale, plus le tracteur se déplacera rapidement vers la direction désirée en fonction de la position du levier de vitesses.
6. Pour immobiliser le tracteur, relâchez la pédale de déplacement et appuyez sur la pédale de frein.

Utilisation du frein de stationnement

Note : Engagez toujours le frein de stationnement lorsque vous quittez le poste de conduite pendant que le moteur tourne, sinon le moteur s'arrêtera automatiquement.

Pour engager le frein de stationnement :

1. Appuyez complètement sur la pédale de frein (pour les modèles avec transmission hydrostatique) ou la pédale d'embrayage et de frein (pour les modèles avec transmission à variation continue contrôlée par pédale ou non) et maintenez-la.
2. Engagez le levier du frein de stationnement (pour les modèles avec transmission hydrostatique ou transmission à variation continue contrôlée par pédale ou non) ou appuyez sur la pédale d'embrayage et de frein.
3. Enlevez votre pied de la pédale de frein/d'embrayage et de frein.

La pédale de frein doit rester enfoncée après que vous avez effectué l'étape 3. Si tel n'est pas le cas, le frein de stationnement n'est pas engagé. Répétez les étapes 1 à 3 pour engager le frein de stationnement.

UTILISATION

Utilisation du frein de stationnement

Appuyez sur la pédale de frein / d'embrayage et de frein et déplacez le levier de frein de stationnement ou le levier de commande de la transmission à variation continue hors de la position engagée et désengagez-le pour les modèles à transmission à variation continue contrôlée par pédale ou hydrostatique. Pour les modèles à transmission à variation continue, appuyez sur la pédale d'embrayage et de frein et déplacez le levier de changement de vitesse de la position de frein de stationnement à la position désirée.

Mode de tonte en marche arrière (sur certains modèles)

Le mode de tonte en marche arrière permet de tondre l'herbe en marche arrière quand la prise de force est embrayée.

Note : Il n'est pas recommandé de tondre en marche arrière.

⚠ AVERTISSEMENT

Soyez très prudent lorsque vous utilisez le mode de tonte en marche arrière. Regardez toujours vers le sol et derrière vous avant de reculer et lorsque vous reculez. N'utilisez pas l'appareil si des enfants ou des personnes sont à proximité. Arrêtez immédiatement l'appareil si quelqu'un s'approche de la zone de travail.

Pour utiliser l'appareil en mode de tonte en marche arrière :

Note : L'utilisateur DOIT être assis.

1. Démarrez le moteur selon les instructions précédentes.
2. Tournez la clé de la position de tonte normale (a) à la position de tonte en marche arrière (b). Voir Figure 18.
3. Pressez le bouton du mode de tonte en marche arrière (c) qui se trouve sur le coin supérieur droit du tableau de bord pendant trois secondes. Le témoin lumineux rouge (d) dans le coin supérieur gauche s'allume lorsque le bouton de marche arrière est activé. Voir Figure 19.
4. Lorsque le bouton de marche arrière est activé (le témoin lumineux est allumé), l'appareil peut être utilisé en marche arrière avec les lames de coupe engagées.
5. Regardez toujours derrière vous et vers le sol avant de reculer et lorsque vous reculez pour vous assurer qu'il n'y a pas d'enfants à proximité. Après avoir repris la marche avant, tournez la clé à la position de tonte normale (a).

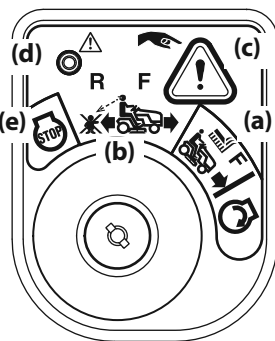


Figure 19

Le mode de tonte en marche arrière (b) demeure activé jusqu'à ce que :

- a. la clé soit placée à la position de tonte normale (a) ou à la position ARRÊT (e);
- b. l'utilisateur se lève (prise de force électrique) ou le frein de stationnement est engagé (prise de force manuelle).

Embrayage de la prise de force

Lorsque le levier de la prise de force est engagé, la puissance du moteur est transférée au plateau de coupe. Pour embrayer la prise de force :

1. Placez le levier d'accélérateur à la position RAPIDE.
2. Poussez le levier de la prise de force vers l'avant pour embrayer la prise de force. Voir Figure 20.
3. Pour débrayer la prise de force, poussez le levier vers l'arrière à la position désengagée.

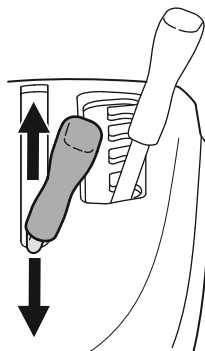


Figure 20

Tonte de l'herbe

⚠ AVERTISSEMENT

Pour éviter tout accident à cause des lames ou d'une projection, ne permettez à personne (en particulier les enfants et les animaux) de s'approcher à moins de 20 m (75 pi). Arrêtez l'appareil si quelqu'un s'approche de la zone de travail.

⚠ AVERTISSEMENT

Débarrassez la zone de travail de tout débris, bâton, caillou, fil électrique et de tout autre objet qui peut être projeté par les lames rotatives.

Note : N'engagez pas le plateau de coupe lorsqu'il est abaissé sur l'herbe qui n'a pas été coupée. La courroie trapézoïdale et l'embrayage de la prise de force risquent de s'user prématurément. Relevez le plateau de coupe à la plus haute position de coupe ou déplacez l'appareil sur une surface non gazonnée avant d'engager le plateau de coupe.

- Travaillez dans le sens de la pente. Lorsque vous tondez une pente, commencez au pied de la pente et effectuez les virages en remontant.
- Ne tondez pas à une vitesse élevée, surtout lorsqu'un kit de déchiquetage ou un sac à herbe est installé.
- Ne coupez pas l'herbe trop court. L'herbe courte encourage la croissance de mauvaises herbes et risque de jaunir plus rapidement durant les périodes sèches.
- Assurez-vous que le levier d'accélération est toujours à la position RAPIDE lorsque vous tondez l'herbe.
- Au premier passage, choisissez un point de repère de l'autre côté de la zone à tondre. Suivez ce repère pour vous déplacer en ligne droite.
- Embrayez la prise de force et placez le levier d'accélération ou le levier d'accélération/d'étrangleur à la position RAPIDE.
- Abaissez le plateau de coupe à la hauteur désirée.
- Pour de meilleurs résultats, projetez l'herbe vers le centre de la zone de travail lors des deux premiers passages. Par la suite, changez de direction afin de projeter l'herbe vers l'extérieur. Votre pelouse sera plus belle.

Note : La vitesse de déplacement de l'appareil aura un effet sur la qualité de la tonte. Travailler à pleine vitesse nuira à la qualité de la tonte.

- Ce tracteur est conçu pour une utilisation non-professionnelle. Il peut tondre un gazon de 25 cm (10 pouces) de haut au maximum. Il n'est pas fait pour tondre les hautes herbes (par ex. dans un pré) ou pour déchiqueter des tas de feuilles mortes. Des débris végétaux secs peuvent s'accumuler sous le plateau de coupe et atteindre le tuyau d'échappement.
- NE tondez PAS les broussailles, les mauvaises herbes ou l'herbe très haute. Cet appareil est conçu pour l'entretien résidentiel de pelouses, et non pour couper les broussailles.
- Assurez-vous que les lames sont bien aiguisées. Remplacez les lames usées ou endommagées.
- Lorsque vous êtes au bout d'un passage, ralentissez ou arrêtez complètement l'appareil avant d'effectuer le virage. Il est conseillé de faire un demi-tour.
- Alignez l'appareil sur le passage précédent et chevauchez ce passage sur environ 7,6 cm (3 pouces).
- Continuez à travailler en alignant l'appareil sur chaque passage précédent.
- Pour éviter la formation de sillons, changez la direction de tonte de 45 degrés à chaque tonte ultérieure.

Si, pour une raison quelconque, vous devez immobiliser l'appareil sur une surface gazonnée, procédez toujours comme suit :

- Engagez le frein de stationnement.
- Arrêtez le moteur et retirez la clé de contact.
- Vous minimiserez ainsi le risque de brûler la pelouse avec les gaz d'échappement du moteur en marche.

ENTRETIEN ET RÉPARATION

Calendrier d'entretien

AVERTISSEMENT

Avant d'effectuer tout travail d'entretien, désengagez toutes les commandes, arrêtez le moteur et attendez que les pièces en mouvement soient complètement immobilisées. Débranchez fil de bougie et mettez-le à la masse contre le moteur pour empêcher ce dernier de démarrer. Portez toujours des lunettes de protection lorsque vous utilisez l'appareil et lorsque vous effectuez un réglage ou une réparation.

Respectez le calendrier ci-dessous. Ce tableau décrit seulement des directives générales d'entretien.

Consultez la notice d'utilisation du moteur pour toutes les instructions sur l'entretien des éléments du moteur ci-dessous.

*-- Vérifiez et nettoyez plus fréquemment en cas d'utilisation dans des environnements poussiéreux et après le déchiquetage.

	Avant chaque utilisation	Après les 5 premières heures	Toutes les 10 heures	Toutes les 25 heures	Toutes les 50 heures	Toutes les 100 heures	Toutes les 200 heures	Avant le remisage	Voir la notice du moteur
Vérifiez/nettoyez la grille d'entrée d'air du moteur et les ailettes de refroidissement#	✓							✓	
Vérifiez/nettoyez le collecteur d'échappement, le tuyau d'échappement et les pare-chaleurs du silencieux#	✓							✓	
Vérifiez/nettoyez le dessus et le dessous du plateau de coupe, le dessous et autour des couvercles de fusée et la zone autour des courroies#	✓							✓	
Vérifiez/nettoyez la zone autour des fusibles, du câblage électrique et des faisceaux#	✓							✓	
Vérifiez/nettoyez les essieux ainsi que la zone autour de la transmission et du ventilateur#	✓							✓	
Vérifiez si les composants du filtre à air sont souillés, desserrés ou endommagés	✓								
Vérifiez le niveau d'huile à moteur	✓								
Nettoyez les bornes de la batterie			✓					✓	
Graissez tous les points de lubrification			✓					✓	
Vérifiez/nettoyez la grille d'entrée d'air du capot			✓					✓	
Vérifiez les lames et aiguisiez-les ou remplacez-les au besoin			✓					✓	
Vérifiez la pression des pneus			✓					✓	
Vérifiez/nettoyez le dessous du plateau de coupe			✓						
Vérifiez le système de verrouillage de sécurité			✓					✓	
Vérifiez le temps d'arrêt des lames			✓					✓	
Inspectez et lubrifiez les roues du plateau de coupe				✓				✓	
Vérifiez si le plateau de coupe est de niveau				✓				✓	
Vérifiez si les courroies et les poulies sont endommagées ou usées					✓				
Vérifiez que la quincaillerie est bien fixée						✓			
Vérifiez le couple de serrage du boulon de montage du moteur. (Serrez la quincaillerie à un couple de 325 à 450 pi-lb. (37 à 50 N-m))		✓			✓			✓	✓
Vérifiez le couple de serrage du boulon de la lame. (Serrez la quincaillerie à un couple de 70 à 90 pi-lb (95 à 122 N-m))		✓			✓			✓	
Vérifiez l'état et l'écartement de la bougie d'allumage						✓		✓	✓
Changez l'huile à moteur (suite à la période de rodage)		✓							✓
Changez l'huile à moteur					✓			✓	✓
Vérifiez le système d'alimentation (conduits, réservoir, bouchon et raccords)		✓			✓			✓	✓
Vérifiez la bougie d'allumage		✓			✓			✓	✓
Remplacez le filtre à huile					✓			✓	✓
Nettoyez ou remplacez le filtre à air					✓				✓
Remplacez le filtre à carburant					✓				✓
Vérifiez et ajustez les soupapes*									✓

* -- Cet entretien doit être effectué par un centre de service agréé.

#-- Vérifiez et nettoyez plus fréquemment en cas d'utilisation dans des environnements poussiéreux et après le déchiquetage.

ENTRETIEN ET RÉPARATION

Note : Ce manuel est commun à plusieurs modèles dont les caractéristiques peuvent différer de votre, de même que du modèle illustré.

Entretien du tracteur après son utilisation

Après chaque utilisation, effectuez les étapes ci-dessous pour garder votre appareil en bon état de fonctionnement et prolonger sa durée de vie.

AVERTISSEMENT

Le non-respect de ces instructions peut entraîner de graves blessures et endommager l'appareil.

Nettoyage du dessous du plateau de coupe

Système de nettoyage du plateau de coupe (le cas échéant)

Le plateau de coupe peut être équipé d'un gicleur qui s'adapte au système de nettoyage du plateau de coupe.

Utilisez le système de nettoyage du plateau de coupe pour rincer les débris d'herbe coupés sous le plateau de coupe et empêcher l'accumulation de produits chimiques corrosifs. Effectuez les étapes suivantes APRÈS CHAQUE UTILISATION :

1. Fixez l'adaptateur à un tuyau d'arrosage standard raccordé à une source d'eau.
2. Déplacez l'appareil à un endroit qui est près d'un tuyau d'arrosage et où le nettoyage du plateau ne pose pas de problèmes. Débrayez la prise de force, engagez le frein de stationnement et arrêtez le moteur.
3. Tirez sur le collier d'arrêt (a) de l'adaptateur (b) pour retirer l'adaptateur (b) de l'embout du système de nettoyage du plateau de coupe (c). Relâchez le collier d'arrêt pour fixer l'adaptateur sur l'embout du système de nettoyage du plateau de coupe. Voir Figure 21.
4. Ouvrez le robinet d'eau.
5. À partir du poste de conduite, démarrez le moteur et embrayez la prise de force. Laissez l'appareil fonctionner aussi longtemps que nécessaire. Débrayez la prise de force et arrêtez le moteur.
6. Fermez le robinet d'eau.
7. Tirez sur le collier d'arrêt de l'adaptateur pour retirer l'adaptateur de l'embout du système de nettoyage du plateau de coupe.



Figure 21

Nettoyage de l'appareil

AVERTISSEMENT

Si l'appareil vient d'être utilisé, les surfaces en métal, le moteur et le silencieux seront chauds et pourront causer des brûlures. Laissez le refroidir pendant au moins cinq minutes. Soyez très prudent pour éviter de vous brûler.

L'appareil doit être nettoyé après chaque utilisation et un nettoyage supplémentaire peut être nécessaire dans certaines conditions, lors de sécheresse ou après le déchetage.

Enlevez régulièrement les accumulations de débris sous l'appareil pour maintenir son bon fonctionnement et pour réduire les risques d'incendie. Suivez les instructions ci-dessous et communiquez avec votre concessionnaire si vous avez des questions.

- Laissez refroidir, pendant au moins cinq minutes, l'appareil dans une aire ouverte avant de le nettoyer.

Note : Il n'est pas conseillé d'utiliser une laveuse à pression ou un boyau de jardinage pour nettoyer l'appareil car cela peut causer des dommages aux composants électriques, aux fusées, aux roulements et au moteur. Le nettoyage à l'eau réduit la durée de vie et la performance de l'appareil.

- Nettoyez sous le capot, autour du collecteur d'échappement et des fusibles, le câblage électrique et les faisceaux, le tuyau et le pare-chaleur du silencieux, les grilles d'entrée d'air du moteur et les ailettes de refroidissement, entre autres. Voir Figure 22.

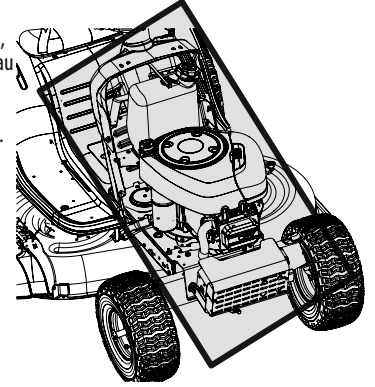


Figure 22

- Nettoyez la partie supérieure du plateau de coupe, la partie sous le couvercle des fusées et la partie autour des courroies. Voir Figure 23.

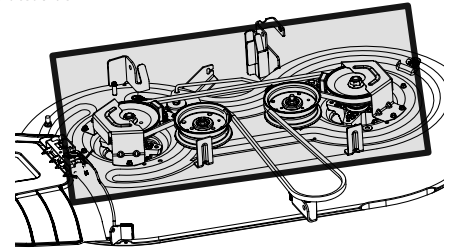


Figure 23

- Gardez l'essieu ainsi que la partie autour de la transmission et du ventilateur propres. Voir Figure 24.
- Les débris peuvent s'accumuler n'importe où sur le tracteur, surtout sur les surfaces horizontales. Un nettoyage supplémentaire peut être nécessaire après le déchetage ou dans des conditions de sécheresse.
- Les débris peuvent s'accumuler en cas de fuites d'essence, d'huile ou d'excédent de lubrifiant. Faites immédiatement les réparations et nettoyez l'huile et l'essence répandues pour réduire les risques d'incendie.

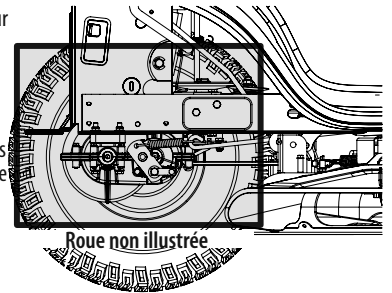


Figure 24

- Nettoyez l'appareil après chaque utilisation et avant le remisage. De plus, ne coupez pas l'herbe très haute mesurant 25 cm ou plus (10 pouces), l'herbe sèche (par exemple, le pâturage), ou les tas de feuilles sèches. Si des débris végétaux secs s'accumulent sous le plateau de coupe et atteignent le tuyau d'échappement, ils risquent de prendre feu.

Remisage de l'appareil

- Laissez le tracteur refroidir pendant au moins cinq minutes avant de ranger l'appareil.
- Ne remisez pas l'appareil près de matières inflammables (bois, vêtements ou produits chimiques), de flammes nues ou des sources d'inflammation (chaudière, chauffe-eau ou élément chauffant).
- Retirez les matières combustibles de l'appareil avant de l'entreposer. Videz les bacs récupérateurs ou les contenants.
- Si l'appareil est doté d'une soupape d'arrêt, fermez-la toujours avant de transporter ou de remiser l'appareil.
- Vérifiez régulièrement le système d'alimentation (les conduits, le réservoir, le bouchon et les raccords) pour déceler les fissures et les fuites. Effectuez les réparations nécessaires et nettoyez au besoin.

ENTRETIEN ET RÉPARATION

Entretien

Moteur

⚠ AVERTISSEMENT

Laissez refroidir l'appareil dans une aire ouverte avant de le ranger ou de faire le plein.

Consultez la notice d'utilisation du moteur pour obtenir les instructions et les procédures d'entretien du moteur.

Note : L'entretien, la réparation et le remplacement des dispositifs et des systèmes anti-pollution qui ne sont pas couverts par la garantie (aux frais du propriétaire) peuvent être effectués par n'importe qui. Les réparations couvertes par la garantie doivent être effectuées dans un centre de service agréé.

Changement de l'huile à moteur

⚠ AVERTISSEMENT

Si l'appareil vient d'être utilisé, les surfaces en métal, le moteur et le silencieux seront chauds. Laissez le refroidir pendant au moins cinq minutes. Soyez très prudent pour éviter de vous brûler.

Modèles avec boyau de vidange d'huile

NOTE : Le filtre à huile doit être remplacé à chaque changement d'huile.

Procédez comme suit pour effectuer un changement d'huile :

1. Laissez le moteur en marche pendant quelques minutes pour que l'huile du moteur se réchauffe. L'huile chaude s'écoule plus facilement et évacue plus d'impuretés. Soyez prudent pour ne pas vous brûler avec l'huile chaude.
2. Soulevez le capot du tracteur et repérez la soupape de vidange d'huile située sur le côté gauche du moteur.
3. Placez un récipient adéquat d'une capacité minimum de 2,36 L sous l'extrémité du boyau de vidange d'huile pour recueillir l'huile usée. Enlevez le bouchon de remplissage et la jauge d'huile du boyau de remplissage d'huile.
4. Retirez le capuchon protecteur de la soupape de vidange. Voir Figure 25.

5. Installez le boyau de vidange d'huile transparent (emballé avec ce manuel) sur la soupape de vidange. Placez l'extrémité libre du boyau de vidange d'huile dans un récipient d'une capacité d'un minimum de 2,36 L pour recueillir l'huile usée.

6. Le moteur est doté d'une soupape de vidange qu'il faut tourner et tirer pour vidanger. Tournez la soupape de vidange d'huile d'un quart de tour vers la gauche, puis tirez-la vers l'extérieur pour vidanger l'huile.

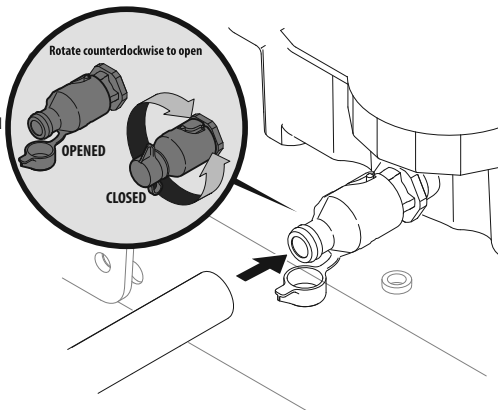


Figure 25

Après avoir vidangé l'huile, poussez la soupape de vidange vers l'intérieur et tournez-la vers la droite pour la fixer. Remplacez le capuchon pour empêcher les débris de pénétrer dans la soupape de vidange.

7. Remplacez le filtre à huile et remplissez le moteur avec de l'huile neuve selon les instructions de la notice d'utilisation du moteur.
8. Remplacez bien le bouchon de remplissage d'huile et la jauge.

NOTE : Placez un chiffon absorbant sous le filtre à huile pour éviter de salir la poulie du moteur.

NOTE : Respectez la législation sur l'élimination des déchets liquides (essence, huile, etc.) afin de préserver l'environnement.

NOTE : L'entretien, la réparation et le remplacement des dispositifs et des systèmes anti-pollution qui ne sont pas couverts par la garantie (aux frais du propriétaire) peuvent être effectués par n'importe qui. Les réparations dans le cadre de la garantie doivent être effectuées dans un centre de service agréé.

Modèles avec manchon de vidange d'huile

Procédez comme suit pour effectuer un changement d'huile :

1. Laissez le moteur en marche pendant quelques minutes pour que l'huile du moteur se réchauffe. L'huile chaude s'écoule plus facilement et évacue plus d'impuretés. Soyez prudent pour ne pas vous brûler avec l'huile chaude.
2. Soulevez le capot du tracteur et repérez la soupape de vidange d'huile située sur le côté gauche du moteur.
3. Placez un récipient adéquat d'une capacité minimum de 2,36 L sous l'extrémité du boyau de vidange d'huile pour recueillir l'huile usée. Enlevez le bouchon de remplissage et la jauge d'huile du tube de remplissage d'huile.
4. Faites enclencher la petite extrémité du manchon de vidange d'huile dans l'espace autour du bouchon de vidange d'huile. Voir Figure 26.
5. Retirez le bouchon et laissez l'huile couler dans un récipient approprié.
6. Remplacez le filtre à huile comme indiqué dans la notice d'utilisation du moteur.
7. Remplacez le filtre à huile et remplissez le moteur avec de l'huile fraîche selon les instructions de la notice d'utilisation du moteur.
8. Remplacez bien le bouchon de remplissage d'huile.

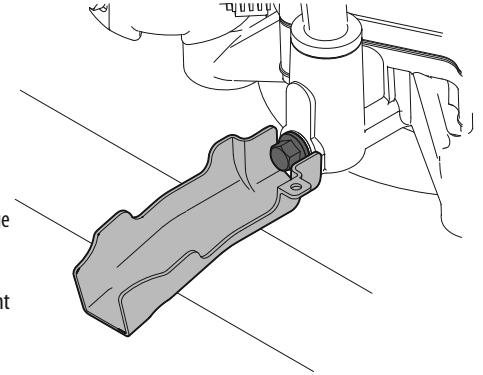


Figure 26

Lubrification

⚠ AVERTISSEMENT

Avant de lubrifier, de réparer ou d'inspecter l'appareil, débrayez toujours la prise de force, engagez le frein de stationnement, arrêtez le moteur et retirez la clé de contact afin d'empêcher un démarrage accidentel.

Lubrifiez tous les points de pivotement avec une huile de graissage de qualité. Consultez le calendrier d'entretien de ce manuel pour des renseignements sur l'entretien de l'appareil.

Lubrifiez les points de pivotement et la tringlerie

Lubrifiez tous les points de pivotement du système d'entraînement, du frein de stationnement et de la tringlerie de relevage avec de l'huile légère selon le calendrier d'entretien.

NOTE : Il n'est pas nécessaire de graisser le pignon de direction ni le secteur denté, sinon cela causera une accumulation de saleté, ce qui pourra nuire au système de direction.

Roues arrière

Les roues arrière doivent être démontées des essieux une fois par saison. Lubrifiez les essieux et les jantes avec de la graisse tout usage avant de monter les roues.

ENTRETIEN ET RÉPARATION

Essieux avant (le cas échéant)

Chaque extrémité de l'axe de pivot avant peut être dotée d'un raccord de graissage. Utilisez un pistolet de graissage et de la graisse tout usage n° 2 pour lubrifier chaque raccord de graissage selon le calendrier d'entretien. Voir Figure 27.

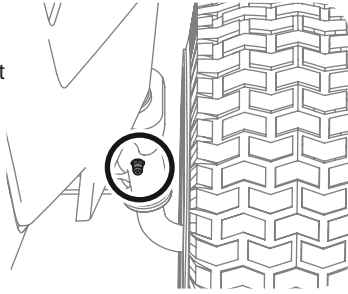


Figure 27

Entretien du pare-étincelles (le cas échéant)

Le pare-étincelles doit être retiré, inspecté et nettoyé régulièrement. Consultez le calendrier d'entretien à cet effet. Inspectez visuellement la grille pour vous assurer qu'il n'y a pas de déchirures, de fils sectionnés ou des ruptures de soudure. Si tel est le cas, remplacez le pare-étincelles. Si la grille est en bon état, brossez-la pour enlever la poussière et les particules de carbone.

Pneus

Gardez les pneus gonflés aux pressions recommandées. Une pression inadéquate réduit la durée de vie des pneus. La pression recommandée est indiquée sur le flanc du pneu. Consultez le calendrier d'entretien de ce manuel pour des renseignements sur l'entretien de l'appareil.

Suivez les conseils ci-dessous :

- Ne gonflez pas un pneu à une pression supérieure à celle indiquée sur le flanc du pneu.
- Ne regonflez pas un pneu qui a roulé à plat ou un pneu très sous gonflé. Faites examiner le pneu par un mécanicien qualifié.

Entreposage pendant l'hiver

Si vous n'utilisez pas l'appareil pendant une longue période (de trente jours à environ six mois), préparez-le pour le remisage. Remisez l'appareil dans un endroit sec et bien protégé. Pour le remisage à l'extérieur, couvrez l'appareil (y compris les pneus) pour le protéger des intempéries. Procédez comme suit pour remiser l'appareil :

1. Changez l'huile à moteur et remplacez le filtre en suivant les instructions fournies dans la notice d'utilisation du moteur.

AVERTISSEMENT

Ne remisez jamais l'appareil contenant de l'essence dans un endroit mal aéré ou à l'intérieur car les vapeurs d'essence pourraient entrer en contact avec une flamme nue, une étincelle ou une veilleuse d'allumage comme celle d'une chaudière, d'un chauffe-eau, d'une sècheuse, etc.

2. Si l'appareil est remisé pendant 30 jours ou plus :
 - a. Pour éviter le mauvais fonctionnement du moteur et la formation de dépôts dans le carburateur, vidangez complètement le système d'alimentation ou ajoutez un stabilisateur à l'essence.
 - b. Utilisez un stabilisateur lorsque l'appareil est remisé pour une période de 30 à 90 jours :
 - Lisez les instructions et les recommandations du fabricant du produit.
 - Ajoutez la quantité adéquate de stabilisateur à l'essence propre et fraîche selon la capacité du système d'alimentation.
 - Remplissez le réservoir avec l'essence traitée et faites fonctionner le moteur pendant deux à trois minutes pour que l'essence se répande dans le carburateur.
 - Pendant le remisage, l'essence du réservoir risque de se détériorer et de causer de graves problèmes de démarrage.
 - c. Vidangez le système d'alimentation si l'appareil est remisé pour plus de 90 jours :
 - Avant de remiser l'appareil, assurez-vous de vider le réservoir.
 - Faites fonctionner le moteur jusqu'à ce qu'il cale. Utilisez l'étrangleur pour faire fonctionner le moteur jusqu'à ce que le réservoir d'essence soit vide.
 - Consultez la notice d'utilisation du moteur pour les instructions sur la vidange d'essence.
3. Nettoyez bien le moteur et l'appareil.

Note : Il n'est pas conseillé d'utiliser une laveuse à pression ou un tuyau d'arrosage pour nettoyer le tracteur sauf pour le dessous du plateau de coupe. Les composants électriques, les fusées, les poulies, les roulements ou le moteur peuvent être endommagés. Le nettoyage à l'eau réduit la durée de vie et la performance de l'appareil.

4. Nettoyez et rechargez la batterie. Débranchez le câble négatif de la batterie pour empêcher sa décharge. Rechargez la batterie régulièrement pendant le remisage.

Note : Retirez la batterie de l'appareil si elle est exposée à des températures inférieures à zéro pendant de longues périodes. Rangez la batterie dans un endroit frais et sec où la température ambiante est supérieure à zéro.

5. Lubrifiez tous les points de lubrification.

Remise en service de l'appareil

1. Vérifiez l'huile à moteur.
2. Chargez la batterie. Gonflez les pneus à la pression recommandée. La pression recommandée est indiquée sur le flanc du pneu.
3. Remplissez le réservoir avec de l'essence fraîche et propre.
4. Démarrez le moteur et laissez-le tourner pendant quelques minutes pour vous assurer qu'il fonctionne correctement.
5. Conduisez l'appareil sans aucune charge pour vous assurer que tous les systèmes fonctionnent correctement.

Mise à niveau latérale du plateau de coupe

1. Stationnez l'appareil sur une surface plane et solide, puis placez le levier de relevage du plateau de coupe dans la position centrale. Faites pivoter les deux lames de façon à ce qu'elles soient perpendiculaires à l'appareil.
2. Mesurez la distance entre l'extrémité extérieure de la lame gauche et le sol ainsi que la distance entre l'extrémité extérieure de la lame droite et le sol. Les deux mesures doivent être égales. Si elles ne le sont pas, passez à l'étape suivante.
3. Un boulon de réglage se trouve sous chaque aile arrière, près des roues. Voir Figure 28.
4. Desserrez le boulon (a) fixé au support gauche du plateau de coupe, sans le retirer.
5. Il est possible d'effectuer des ajustements à l'engrenage qui se trouve derrière le boulon desserré à l'étape précédente (vers la droite pour relever ou vers la gauche pour abaisser).
6. Serrez le boulon (a) du support gauche du plateau de coupe une fois l'ajustement désiré atteint.
7. Le plateau de coupe est bien équilibré lorsque les deux mesures effectuées à l'étape précédente sont égales.

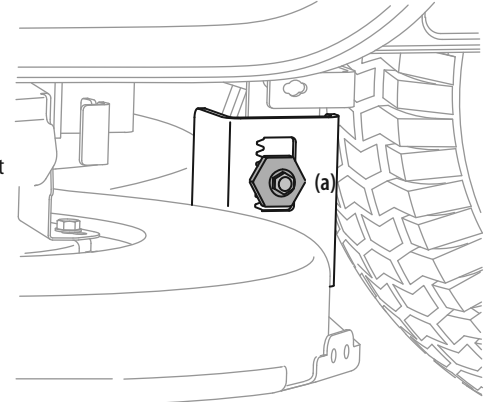


Figure 28

Mise à niveau de l'avant à l'arrière

L'avant du plateau de coupe est soutenu par un support avant qui peut être ajusté pour régler le plateau de coupe. L'avant du plateau de coupe doit être de 1/4 à 3/8 po (6,35 à 9,5 mm) bas que l'arrière. Si nécessaire, effectuez le réglage comme suit :

1. Stationnez le tracteur sur une surface plane et solide et placez le levier de relevage dans l'avant-dernière encoche du haut (la deuxième plus haute position). Faites pivoter la lame de façon à ce qu'elle soit parallèle au tracteur.
2. Mesurez la distance entre l'extrémité avant de la lame et le sol ainsi que la distance entre l'extrémité arrière de la lame et le sol. L'avant du plateau de coupe doit être de 1/4 à 3/8 po plus bas que l'arrière.
3. Déterminez la distance approximative nécessaire pour assurer le réglage approprié du plateau de coupe, puis passez à l'étape suivante, si nécessaire.
4. Pour *relever* l'avant du plateau de coupe, desserrez l'écrou supérieur, puis resserrez l'écrou inférieur (tournez vers la droite). Voir Figure 29. Après avoir effectué le réglage approprié, serrez l'écrou à un couple de 25 à 30 pi-lb (34 à 40,7 Nm).
5. Pour *abaisser* l'avant du plateau de coupe, desserrez l'écrou supérieur, puis desserrez l'écrou inférieur (vers la gauche). Voir Figure 29. Une fois le réglage approprié effectué, serrez l'écrou supérieur.

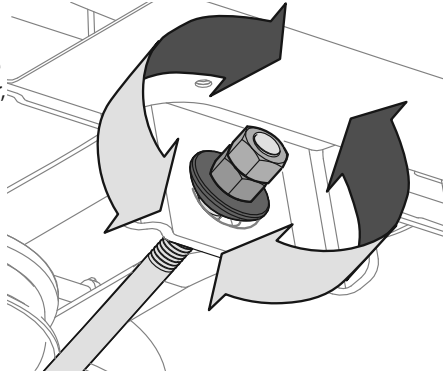


Figure 29

Réglage des roues du plateau de coupe

⚠ AVERTISSEMENT

N'approchez pas vos mains ni vos pieds de l'ouverture d'éjection du plateau de coupe.

NOTE : Les roues du plateau de coupe préviennent le dégazonnement de la pelouse et ne sont pas conçues pour soutenir le plateau de coupe.

Lorsque vous ajustez la hauteur du plateau de coupe, réglez également les roues du plateau de coupe pour qu'elles soient de 1/4 à 1/2 po (6,35 à 7 mm) du sol. Consultez le chapitre Montage pour obtenir plus d'instructions sur le réglage des roues du plateau de coupe.

Entretien

Système électrique

Un fusible est installé dans le câblage électrique pour protéger le système électrique de l'appareil contre tout dommage causé par une intensité trop élevée. Remplacez toujours un fusible par un autre fusible de même intensité. Si le système électrique ne fonctionne pas, vérifiez si le fusible a sauté.

En cas de problème récurrent de fusible sauté, faites examiner le système électrique dans un centre de service agréé.

Relais et interrupteurs

Des interrupteurs de sécurité sont installés dans le système électrique. Si le système de verrouillage de sécurité ne fonctionne pas, faites examiner le système électrique dans un centre de service agréé.

Réglage du frein de stationnement

Si l'appareil ne s'immobilise pas complètement lorsque la pédale de frein est enfoncée, ou si les roues arrière tournent alors que le frein de stationnement est engagé (et la soupape de dérivation hydrostatique est ouverte), il est nécessaire de régler le frein. Contactez un centre de service agréé pour faire ajuster le frein.

Réglage du neutre de la transmission hydrostatique

Si le tracteur avance ou recule sans que la pédale de marche avant ou de marche arrière soit appuyée, communiquez avec le concessionnaire de votre région pour faire régler le neutre.

Géométrie des roues

Si le tracteur dévie ou n'est pas aligné, il faut régler la géométrie des roues. Communiquez avec un concessionnaire agréé pour faire effectuer ce réglage.

Démontage du plateau de coupe

⚠ AVERTISSEMENT

Faites attention de ne pas pincer vos doigts lorsque vous retirez la courroie de la poulie.

Procédez comme suit pour démonter le plateau de coupe :

1. Stationnez l'appareil sur une surface plate, débrayez la prise de force, arrêtez le moteur et serrez le frein de stationnement.
2. Placez le levier de relevage du plateau de coupe dans l'encoche inférieure sur l'aille droite de l'appareil pour abaisser le plateau de coupe.
3. Enlevez la tige de retenue de la courroie (a) autour de la poulie du moteur en retirant le boulon autotaraudeur (b) qui la fixe. Voir Figure 30.

NOTE : Notez le trou dans lequel l'autre extrémité de la tige de retenue est insérée pour ensuite la remonter correctement.

4. Retirez la courroie (c) autour de la poulie du moteur et de la poulie de tension. Voir Figure 30.
5. Tenez-vous du côté gauche du tracteur en regardant le plateau de coupe et repérez la goupille fendue (a) qui fixe la tige de support du plateau (b) à l'arrière gauche du plateau de coupe. Voir Figure 31. Retirez la goupille fendue (a) et enlevez ensuite soigneusement le support de plateau (b) du bras de relevage.

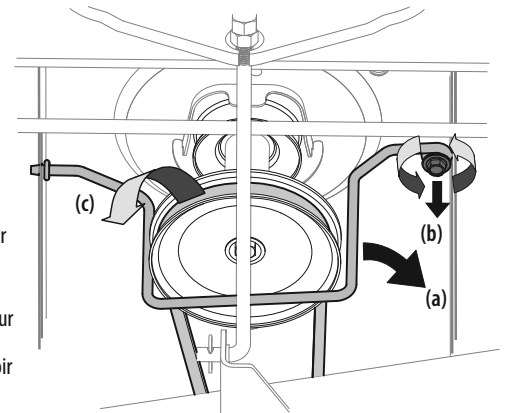


Figure 30

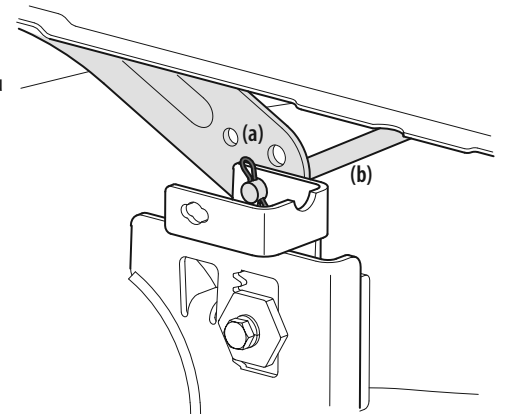


Figure 31

ENTRETIEN ET RÉPARATION

6. Répétez l'étape 5 pour le côté droit du tracteur.
7. Placez le levier de relevage du plateau de coupe dans l'encoche supérieure de l'aile droite pour relever et retenir les bras de relevage du plateau de coupe.
8. Pour les plateaux de coupe de 38 po, faites glisser le plateau de coupe vers l'avant du tracteur tout en dégageant le support avant des crochets. Voir Figure 32.
9. Pour les plateaux de coupe de 36, 42 et 46 po, retirez la goupille fendue (a) qui retient la tige de relevage (b) du plateau. Faites glisser la tige de relevage du plateau hors du support soudé. Voir Figure 33.
10. Retirez le câble de la prise de force (a) à l'arrière du plateau de coupe en enlevant la goupille fendue (b) qui le fixe. Enlevez le ressort (c) du support de la poulie de tension. Voir Figure 34.
11. Faites glisser le plateau de coupe du dessous du tracteur (à partir du côté gauche).

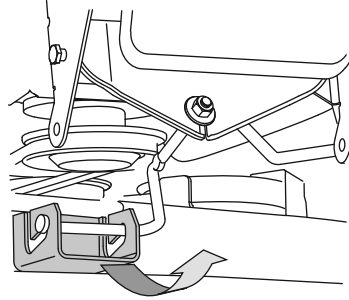


Figure 32

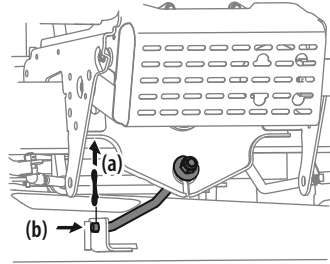


Figure 33

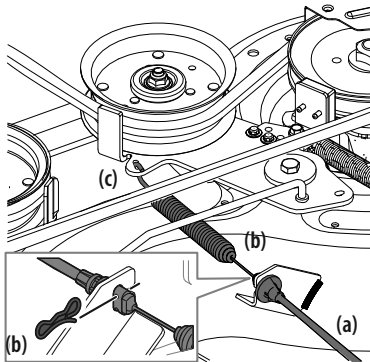


Figure 34

NOTE : Pour réinstaller le plateau de coupe, effectuez les étapes 1 à 11 dans l'ordre inverse.

Retrait des lames

⚠ AVERTISSEMENT

- Arrêtez le moteur et retirez la clé de contact avant de démonter les lames de coupe pour les aiguiser ou les remplacer. Avant de manipuler une lame, portez des gants épais pour protéger vos mains.
- Examinez régulièrement les lames et les fusées pour vous assurer qu'elles ne sont pas fendues ou endommagées, surtout si l'appareil a heurté un objet. N'utilisez pas l'appareil si les pièces endommagées ne sont pas remplacées.
- Si le bord tranchant a déjà été aiguisé ou si une séparation des couches métalliques s'est produite, remplacez la lame.

1. Enlevez le plateau de coupe de l'appareil (voir Démontage du plateau de coupe à la page 18), puis retournez le plateau pour pouvoir travailler sur le dessous.
2. Placez un morceau de bois entre le boîtier du plateau de coupe et la lame de coupe pour empêcher tout mouvement. Voir Figure 35.
3. Retirez l'écrou qui fixe la lame à la fusée. Voir Figure 35.

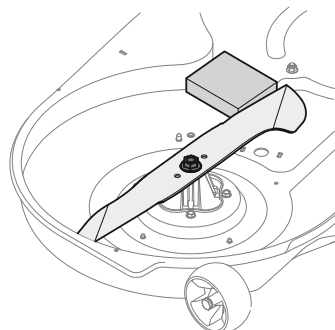


Figure 35

Installation de la lame

1. Retournez le plateau de coupe pour avoir accès au dessous.
2. Alignez le trou central de la lame avec le support de retenue de la fusée, en plaçant le côté de la lame inscrit « Grass side » ou qui porte le numéro de pièce, face vers le sol une fois le plateau de coupe réinstallé.
3. Placez un morceau de bois entre le boîtier du plateau de coupe et la lame de coupe pour empêcher tout mouvement. Voir Figure 34.
4. Retirez l'écrou à bride qui fixe la lame à la fusée. Utilisez une clé dynamométrique pour serrer l'écrou à bride sur la fusée à un couple de 95 à 122 N m (80 à 90 pi-lb).

NOTE : Lorsque vous remplacez une lame, installez la lame de façon à ce que le côté inscrit « BOTTOM » (ou estampé du numéro de pièce) soit face au sol.

Aiguillage des lames

1. Pour aiguiser correctement les lames de coupe, aiguissez les deux tranchants des lames de façon égale, parallèlement à la voile, à un angle de 25 à 30 degrés. Aiguissez toujours chaque lame de coupe de façon égale pour assurer l'équilibre des lames. Voir Figure 36.
2. Vérifiez l'équilibre de la lame avec un équilibreur de lame. Limez le métal du côté le plus lourd de la lame jusqu'à ce que la lame soit bien équilibrée.

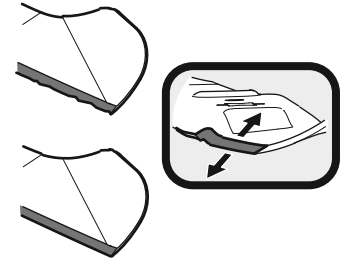


Figure 36

⚠ AVERTISSEMENT

Une lame mal équilibrée peut causer des vibrations excessives et entraîner des dommages matériels ou des blessures corporelles.

DÉPANNAGE

AVERTISSEMENT

Avant d'effectuer tout travail d'entretien, désengagez toutes les commandes, arrêtez le moteur et attendez que les pièces en mouvement soient complètement immobilisées. Débranchez fil de bougie et mettez-le à la masse contre le moteur pour empêcher ce dernier de démarrer. Portez toujours des lunettes de protection lorsque vous utilisez l'appareil et lorsque vous effectuez un réglage ou une réparation.

Cette section traite des problèmes mineurs. Pour trouver le centre de service agréé le plus près de chez vous, consultez le document séparé pour plus d'informations.

Problème	Cause	Solution
Le moteur ne démarre pas.	<ol style="list-style-type: none"> 1. La prise de force est embrayée. 2. Le frein de stationnement n'est pas engagé. 3. Le fil de bougie est débranché. 4. Le levier d'accélération / d'étrangleur n'est pas à la position de démarrage. 5. Le réservoir d'essence est vide ou l'essence est éventée. 6. Le conduit de carburant est bouché. 7. La bougie d'allumage est défectueuse. 8. Le moteur est noyé. 9. Un fusible a sauté. 	<ol style="list-style-type: none"> 1. Poussez le levier de la prise de force. 2. Engagez le frein de stationnement. 3. Branchez le fil à la bougie d'allumage. 4. Placez le levier d'accélération / d'étrangleur à la position ÉTRANGLEUR. 5. Remplissez le réservoir avec de l'essence propre et fraîche (moins de 30 jours). 6. Remplacer le conduit d'essence. Consultez un centre de service agréé. Remplacez le filtre à carburant. Consultez le chapitre Entretien et réparation. 7. Nettoyez la bougie, remplacez-la ou ajustez son écartement. 8. Faites tourner le moteur à plein régime. 9. Remplacez le fusible.
Le moteur tourne irrégulièrement.	<ol style="list-style-type: none"> 1. L'appareil fonctionne alors que le levier d'accélération est à la position ÉTRANGLEUR. 2. Les fils de bougie sont lâches. 3. Le conduit de carburant est bouché ou le carburant est éventé. 4. L'évent du bouchon du réservoir est bouché. 5. Il y a de l'eau ou de la saleté dans le circuit d'alimentation. 6. Le filtre à air est sale. 	<ol style="list-style-type: none"> 1. Actionnez l'étrangleur. 2. Branchez les fils de bougie et serrez-les. 3. Remplacer le conduit d'essence. Consultez un centre de service agréé. Remplissez le réservoir avec l'essence propre et fraîche. Consultez le chapitre Entretien et réparation. 4. Nettoyez l'évent ou remplacez le bouchon s'il est endommagé. 5. Vidangez le réservoir d'essence. Remplissez le réservoir avec de l'essence propre et fraîche. Consultez le chapitre Entretien et réparation. 6. Remplacez l'élément en papier du filtre à air ou nettoyez le pré-filtre en mousse.
Le moteur surchauffe.	<ol style="list-style-type: none"> 1. Le niveau d'huile à moteur est bas. 2. Le débit d'air est restreint. 	<ol style="list-style-type: none"> 1. Faites le plein moteur avec le type et la quantité d'huile recommandés. 2. Nettoyez autour des ailettes de refroidissement et autour du boîtier du ventilateur.
Le moteur a des ratés à haute vitesse.	<ol style="list-style-type: none"> 1. L'écartement de la bougie est trop petit. 	<ol style="list-style-type: none"> 1. Retirez la bougie d'allumage et ajustez l'écartement.
Le moteur tourne irrégulièrement au ralenti.	<ol style="list-style-type: none"> 1. La bougie d'allumage est encrassée. 2. Le filtre à air est sale. 	<ol style="list-style-type: none"> 1. Retirez la bougie d'allumage et ajustez l'écartement.. 2. Remplacez l'élément du filtre à air ou nettoyez le pré-filtre.
Le moteur produit des vibrations excessives.	<ol style="list-style-type: none"> 1. La lame de coupe est desserrée ou mal équilibrée. 2. La lame de coupe est déformée ou endommagée. 	<ol style="list-style-type: none"> 1. Serrez la lame et la fusée. Équilibrez la lame. 2. Remplacez la lame de coupe.
L'appareil ne déchiquette pas l'herbe.	<ol style="list-style-type: none"> 1. Le régime du moteur est trop bas. 2. L'herbe est mouillée. 3. L'herbe est trop haute. 4. La lame de coupe est émoussée. 	<ol style="list-style-type: none"> 1. Placez le levier d'accélération à la position RAPIDE. 2. Ne déchiquetez pas l'herbe mouillée. 3. Tondez l'herbe à une hauteur de coupe élevée, puis tondez à nouveau à la hauteur désirée ou sur une largeur plus étroite. 4. Aiguissez la lame de coupe ou remplacez-la.
Le tracteur coupe de manière irrégulière.	<ol style="list-style-type: none"> 1. Le plateau de coupe n'est pas mis à niveau. 2. La lame de coupe est émoussée. 3. La pression des pneus est inégale. 	<ol style="list-style-type: none"> 1. Effectuez la mise à niveau latérale du plateau de coupe. 2. Aiguissez la lame de coupe ou remplacez-la. 3. Vérifiez la pression des quatre pneus.