

OWNER'S GUIDE

CTT1 CTT2

BUILT-IN THERMOSTAT KIT

Thank you for your purchase! Question or problem? Let us solve it with a single phone call, email or online chat! We'll save you a trip back to the store!

Cadet Customer Service

Phone: 855.CADET.US (855.223.3887)

email: customerservice@cadetheat.com

Live chat: cadetheat.com (contact us)

For how-to videos or more information, please visit:
<http://cadetheat.com/install/com-pak>

ESPAÑOL ver la guía del propietario en
cadetheat.com/espanol/com-pak

CADET

INVITING WARMTH

cadetheat.com
855.CADET.US
Vancouver, Washington



IMPORTANT INSTRUCTIONS

⚠ When using electrical appliances, basic precautions should always be followed to reduce the risk of fire, electric shock, and injury to persons, including the following:

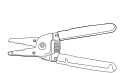
1. Read all instructions before installing or using this thermostat.
2. Use this thermostat only as described in this manual. Any other use not recommended by the manufacturer may cause fire, electric shock, or injury to persons.
3. Do not insert or allow foreign objects to enter any ventilation or exhaust opening as this may cause an electric shock or fire, or damage the thermostat.
4. To disconnect thermostat turn off power to heater circuit at main disconnect panel.
5. Do not operate any thermostat after it malfunctions. Disconnect power at main disconnect panel and have thermostat inspected by a qualified electrician before reusing.
6. A thermostat has arcing or sparking parts inside. Do not use in areas where gasoline, paint, or flammable liquids are stored.

⚠ WORKING WITH ELECTRICITY ⚠

If you are uncomfortable working with electricity, running electrical supply wire or installing a circuit breaker, please consult a licensed electrician.

Unanswered questions? Call our technical support team in Vancouver, Washington at 855.223.3887 or outside the USA 360.693.2505.

REQUIRED TOOLS



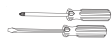
Wire Strippers



Volt Meter



Wire Connectors



Straight and Phillips Screwdrivers

TIPS BEFORE YOU BEGIN

- **Verify power has been turned off before starting any work!**
- This thermostat kit works with Cadet Com-Pak, Com-Pak Twin and Com-Pak Max heaters.
- CTT1P and CTT2P models are tamperproof. The thermostat shaft is shortened so it doesn't protrude through the grill. A small plug fills the hole on the grill, rather than a knob. To adjust the temperature, remove the plug or the grill.
- If this is a new installation, make your thermostat connections before starting installation of your heater.
- If you're adding or replacing a thermostat on a heater that's already installed, remove the grill, then take the heater assembly out of the wall can so it's easier to work on.
- Single pole thermostats have a LOW position but no OFF.
CTT1, CTT1P: Turning the knob (or shaft on a tamperproof model) all the way to the left sets the temperature at about 40°F.
CTT2, CTT2P: Turning the knob (or shaft on a tamperproof model) all the way to the left turns the heater off.

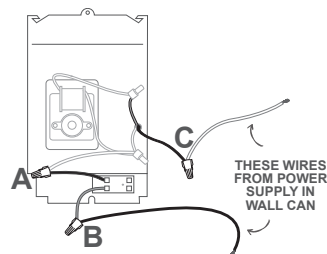
INSTALLATION INSTRUCTIONS

1. **WARNING:** All electrical work and materials must comply with the National Electric Code (NEC), the Occupational Safety and Health Act (OSHA), and all state and local codes.
2. **WARNING:** Make sure all wire connections to the thermostat are correct and tight to prevent electrical shorts. Use appropriate wire to meet NEC and local codes for rated power consumption.
3. Use copper conductors only.
4. Turn off power to heater at main disconnect panel.
5. Use wire connectors (not included) for all connections.

STEP 1

Fasten the thermostat on the bottom of the heater assembly. Put the thermostat shaft through the largest hole from the back and attach with the screws provided. Don't over-tighten yet. The wires should point to the left when viewed from the back.

SINGLE POLE (2-WIRE) - 120 VOLT



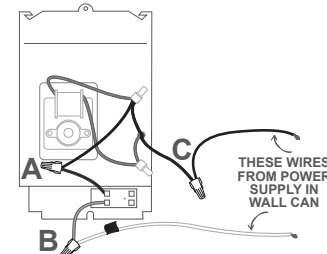
A. Connect the black thermostat wire to the white wire from the heater.

B. Connect the red thermostat wire to the black power supply wire.

C. Connect the remaining neutral (white) supply wire to the remaining black heater wire.

Proceed to FINISH INSTALLATION.

SINGLE POLE (2-WIRE) - 240 or 208 VOLT



A. Connect the black thermostat wire to one of the black wires from the heater.

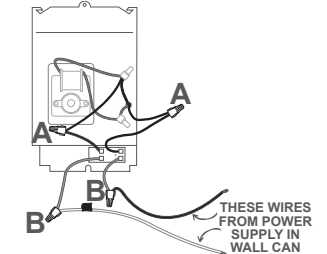
B. Connect the red thermostat wire to the white supply wire.

C. Connect the remaining black heater wire to the black supply wire.

Wrap supply (white) wire with black tape to identify it as hot!

Proceed to FINISH INSTALLATION.

DOUBLE POLE (4-WIRE) - 240 or 208 VOLT



A. Connect the two black thermostat wires to the two black heater wires.

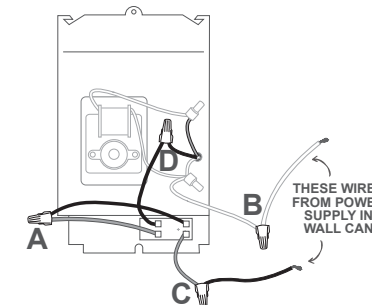
B. Connect the two power supply wires to the two red thermostat wires.

Wrap supply (white) wire with black tape to identify it as hot!

Proceed to FINISH INSTALLATION.

INSTALLATION INSTRUCTIONS

DOUBLE POLE (4-WIRE) - 120 VOLT



A. Connect the red thermostat wire labeled L2 to the black thermostat wire labeled OFF.

B. Connect the neutral (white) supply wire to the white heater wire.

C. Connect the hot supply wire to the remaining red thermostat wire.

D. Connect the remaining black thermostat wire to the remaining heater wire.

Proceed to FINISH INSTALLATION.

FINISH INSTALLATION

After the heater assembly is placed back in the can and the grill is screwed back on, check thermostat shaft alignment with the center of the grill hole. Adjust position of the thermostat on the heater assembly cover if necessary. Push knob on shaft securely.

A single pole thermostat may be used with 120 volts or 240 volts.

OPERATING INSTRUCTIONS

Make sure all wires are properly connected and installation is complete before you turn on the heater. Turn power back on at the main disconnect panel.

1. Turn the thermostat knob all the way to the right.
2. When the room reaches your comfort level, turn the knob to the left, just until it clicks and the heater turns off. The heater will automatically keep the room temperature at this setting.
3. To reduce the room temperature, turn the knob to the left. To increase the room temperature, turn the knob to the right.

WARRANTY

For more effective and safer operation and to prolong the life of the heater, read the Owner's Guide and follow the instructions. Failure to properly maintain the heater will void any warranty and may cause the heater to function improperly.

LIMITED ONE YEAR WARRANTY: Cadet will repair or replace any Cadet Com-Pak CTT1, CTT2, CTT1P or CTT2P thermostat found to be defective within one year after the date of purchase.

These warranties do not apply:

1. Damage occurs to the product through improper installation or incorrect supply voltage;
2. Damage occurs to the product through improper maintenance, misuse, abuse, accident, or alteration;
3. The use of unauthorized accessories or unauthorized components constitutes an alteration and voids all warranties. Refer to Cadet website or call customer service

at 855.223.3887 or 360.693.2505 for list of authorized accessories and components.

4. Cadet's warranty is limited to repair or replacement.
5. In the event Cadet elects to replace any part of your Cadet product, the replacement parts are subject to the same warranties as the product. The installation of replacement parts does not modify or extend the underlying warranties. Replacement or repair of any Cadet product or part does not create any new warranties.

If you believe your Cadet product is defective, please contact Cadet during the warranty period, for instructions on how to have the repair or replacement processed.

Parts and Service
Visit cadetheat.com/parts-service for information on where to obtain parts and service.

To register your product, visit cadetheat.com/product-registration