

# EXCELL™

ILLUSTRATED PARTS BOOK

2500 PSI Pressure Washer

EPW1792500

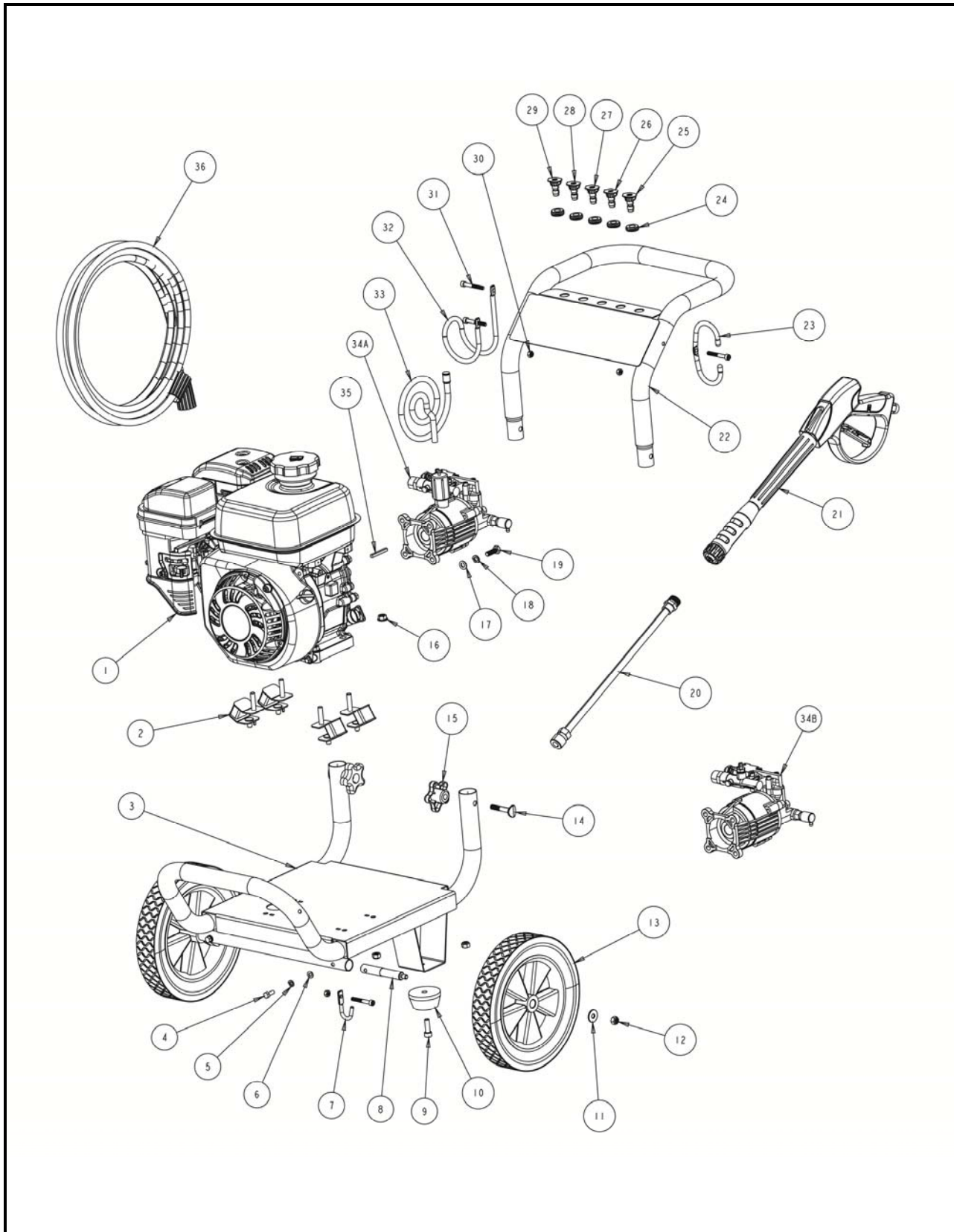
EPW1792500.01



# Table of Contents

Unit Assembly.....	2-3
Engine.....	4-15
Head Assembly.....	4
Crankcase.....	5
Crankcase Cover Assembly.....	6
Camshaft Assembly.....	7
Recoil Starter.....	8
Lower Shield/Shroud.....	9
Carburetor Assembly.....	10
Air Cleaner.....	11
Muffler Assembly.....	12
Fuel Tank Assembly.....	13
Flywheel Assembly.....	14
Throttle Control Assembly.....	15
Pump Service Kits, AXB23 (for model EPW1792500).....	16
Pump Service Kits, Himore (for model EPW1792500.01).....	17
Unit Decals.....	18

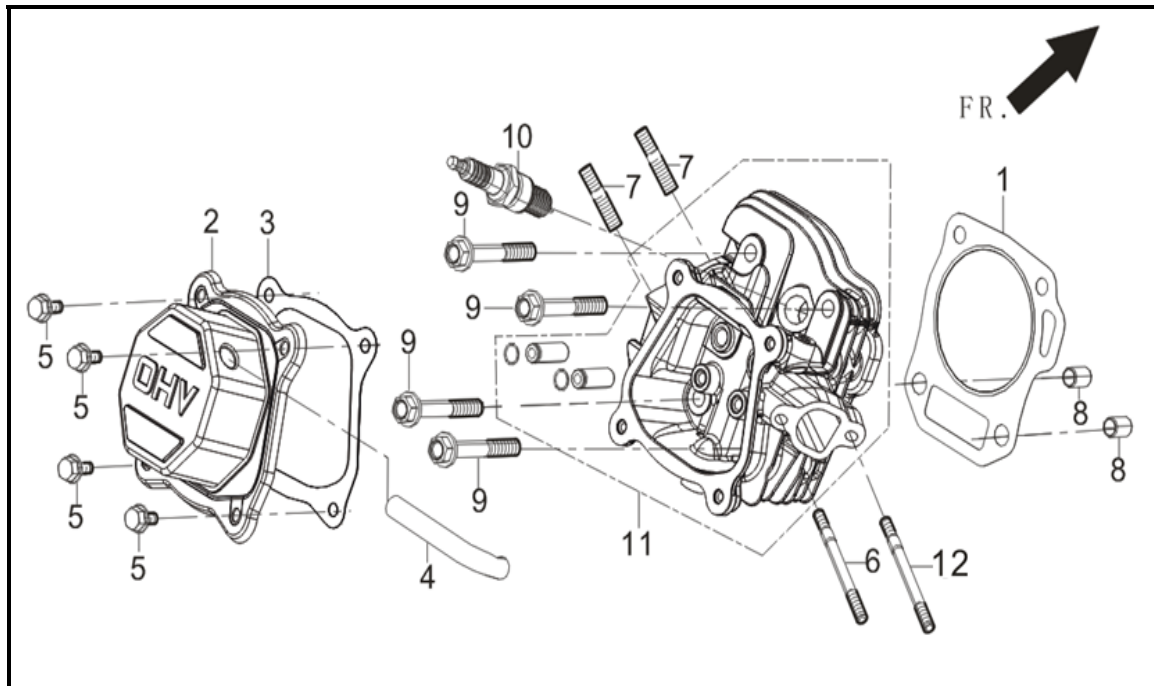
# Unit Assembly



# Unit Assembly

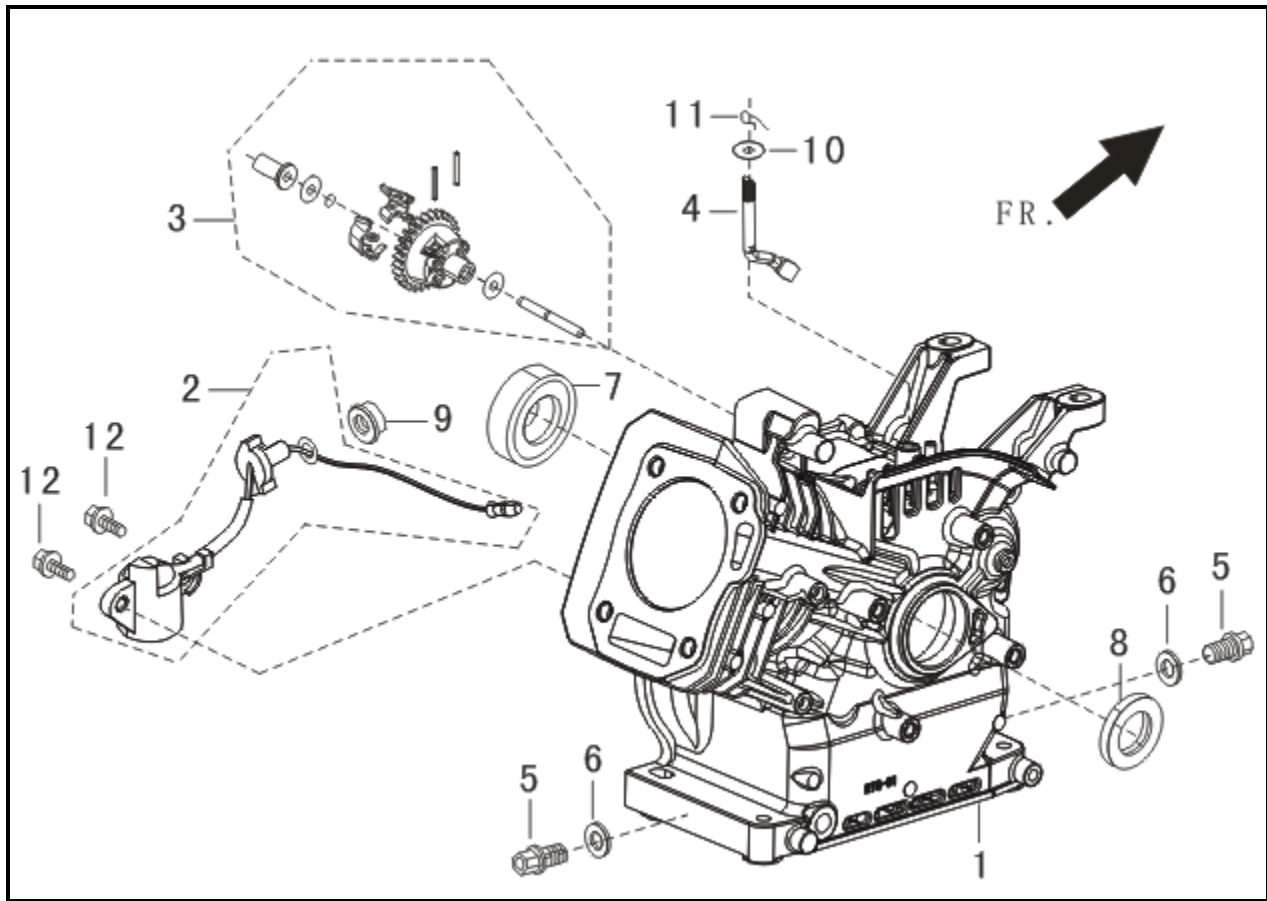
REF. NO.	DESCRIPTION	PART NO.	QTY
1	Engine (See pages 4-15 for parts breakdown)	E110190	1
2	Isolator, Engine	E110273	4
3	Weldment, Lower Frame	<i>Reference Only</i>	1
4	Screw, M6 x 1.0 x 16mm, Hex Head w/ Nylock Patch	<i>Kit C</i>	2
5	Lock Washer, M6	<i>Kit C</i>	2
6	Washer, Flat, M6	<i>Kit C</i>	2
7	Hook, Wand Tip, Excell Blue	E110244	1
8	Axle, Wheel	<i>Kit C</i>	2
9	Screw, M8 x 1.25 x 25mm, SHCS	<i>Reference Only</i>	2
10	Isolator, Foot	E100240	2
11	Washer, Flat, M8	<i>Kit C</i>	2
12	Nut, M8 x 1.25, Hex Nylon Locking	<i>Kit C (Qty. 2)</i>	8
13	Wheel	E104807	2
14	Screw, M8 x 1.25 x 45mm, Saddle	<i>Reference Only</i>	2
15	Knob	<i>Reference Only</i>	2
16	Nut, M8 x 1.25, Serrated Flange	<i>Reference Only</i>	4
17	Washer, Flat, M8	<i>Reference Only</i>	4
18	Lock Washer, M8	<i>Reference Only</i>	4
19	Screw, M8 x 1.25 x 25mm, Hex Head	<i>Reference Only</i>	4
20	Wand	E104102	1
21	Gun	E111009	1
22	Weldment, Upper Frame	<i>Reference Only</i>	1
23	Hook, Gun, Excell Blue	E110243	1
24	Grommet, Nozzle	<i>Kit B</i>	5
25	Nozzle, 40 Degree, White	<i>Kit A</i>	1
26	Nozzle, 25 Degree, Green	<i>Kit A</i>	1
27	Nozzle, 15 Degree, Yellow	<i>Kit A</i>	1
28	Nozzle, 0 Degree, Red	<i>Kit A</i>	1
29	Nozzle, Low Pressure, Black	<i>Kit A</i>	1
30	Nut, M6 x 1.0, Hex Nylon Locking	<i>Reference Only</i>	4
31	Screw, M6 x 1.0 x 45mm, SHCS	<i>Reference Only</i>	4
32	Hook, Hose, Excell Blue	E110242	1
33	Assembly, Chemical Hose w/ Filter	E104815	1
34A	Pump, AXB23 (for model EPW1792500)	E110735	1
34B	Pump, Himore (for model EPW1792500.01)	E111419	1
35	Key, 4.78mm x 4.78mm x 42mm	E108365	1
36	Hose, 25 ft long	E110171	1
KIT A	Kit, Nozzle (Includes #25-29)	E104817	1
KIT B	Kit, Grommet (Includes #24 Qty. 5)	E110369	1
KIT C	Kit, Wheel Axle (Includes #4-6, 8, 11-12)	E110370	1

# Head Assembly



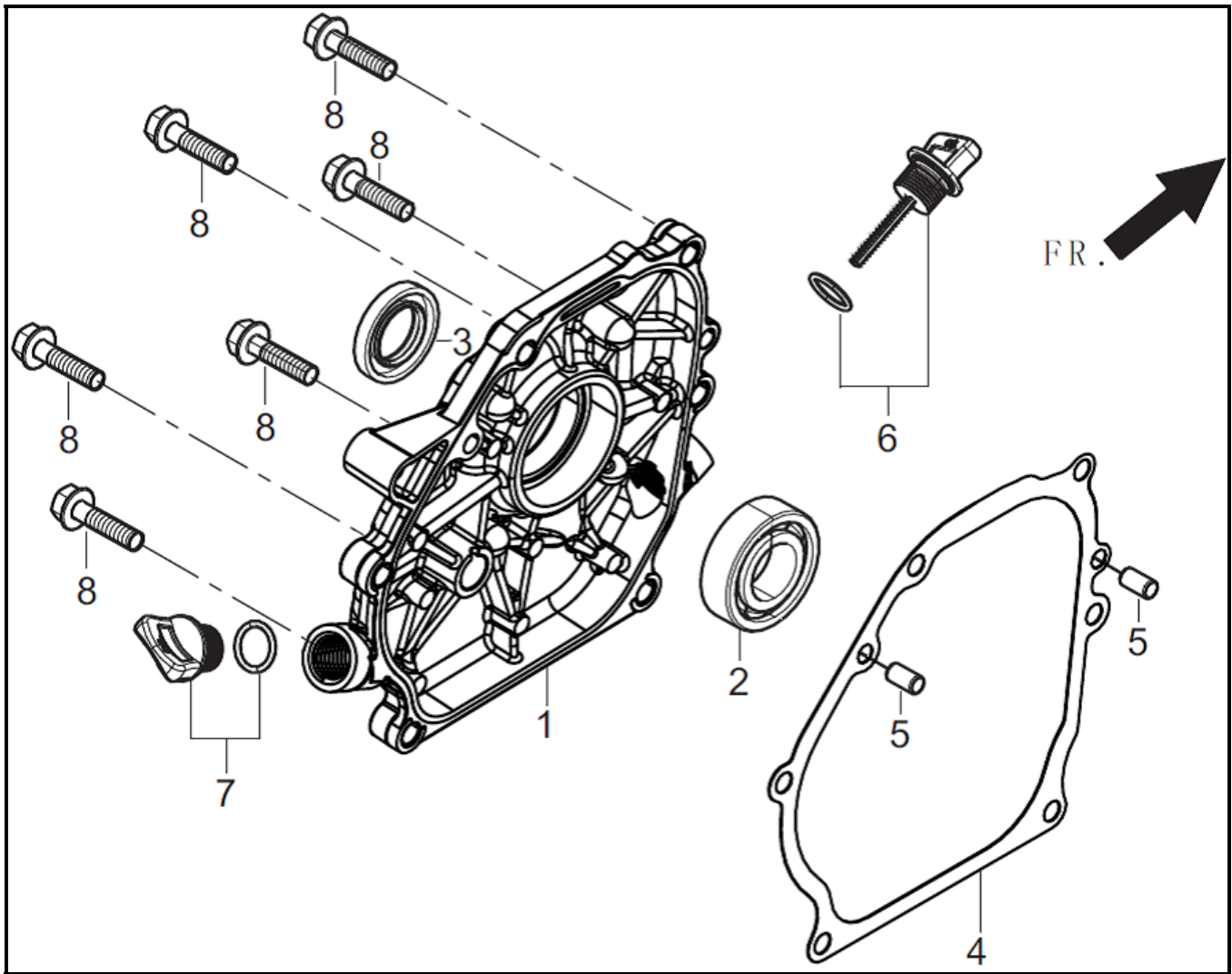
REF. NO.	DESCRIPTION	PART NO.	QTY
1	Gasket, Cylinder Head	E110374	1
2	Cover, Cylinder Head	E110376	1
3	Gasket, Cylinder Head Cover	E110377	1
4	Tube, Breather	<i>Reference Only</i>	1
5	Screw	<i>Reference Only</i>	4
6	Stud	<i>Reference Only</i>	1
7	Stud	<i>Reference Only</i>	2
8	Pin	<i>Reference Only</i>	2
9	Screw	<i>Reference Only</i>	4
10	Spark Plug	<i>Reference Only</i>	1
11	Assembly, Cylinder Head	<i>Reference Only</i>	1
12	Stud	<i>Reference Only</i>	1

# Crankcase



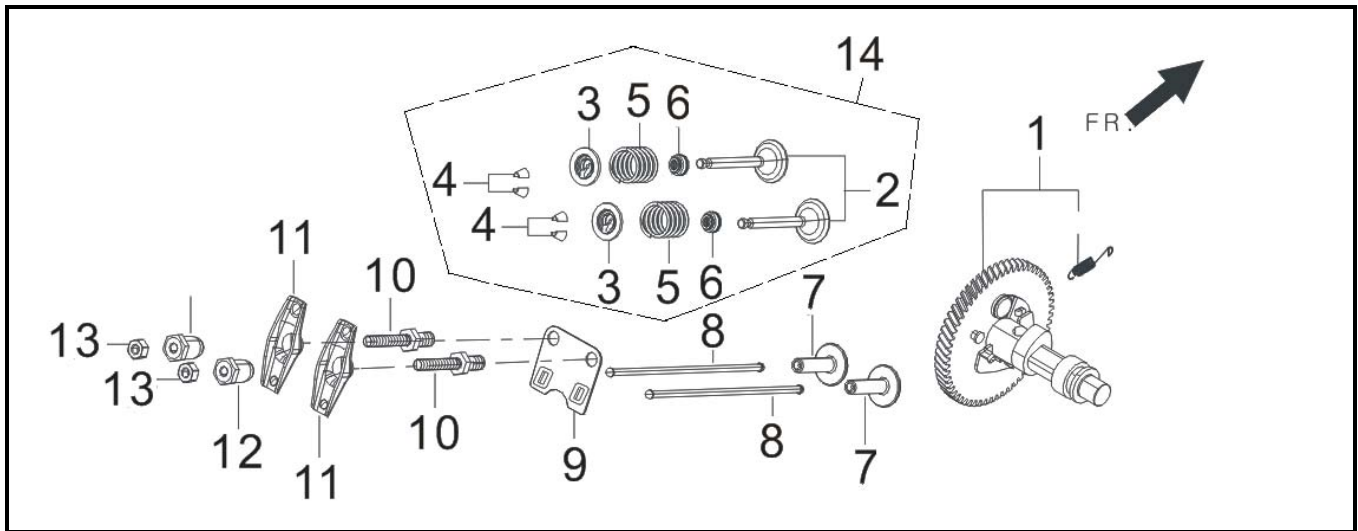
REF. NO.	DESCRIPTION	PART NO.	QTY
1	Assembly, Crankcase	<i>Reference Only</i>	1
2	Sensor, Low Oil	E110378	1
3	Assembly, Governor Gear	<i>Reference Only</i>	1
4	Arm, Governor	<i>Reference Only</i>	1
5	Plug, Drain	<i>Reference Only</i>	2
6	Washer	<i>Reference Only</i>	2
7	Bearing	<i>Reference Only</i>	1
8	Seal, Oil	E106058	1
9	Nut	<i>Reference Only</i>	1
10	Washer, Governor Gear	<i>Reference Only</i>	1
11	Pin	<i>Reference Only</i>	1
12	Screw	<i>Reference Only</i>	2

# Crankcase Cover Assembly



REF. NO.	DESCRIPTION	PART NO.	QTY
1	Cover, Crankcase	<i>Reference Only</i>	1
2	Bearing	<i>Reference Only</i>	1
3	Seal, Oil	E106058	1
4	Gasket, Crankcase	E106060	1
5	Pin	<i>Reference Only</i>	2
6	Dipstick, Oil	E110379	1
7	Plug, Engine Oil	E110380	1
8	Screw	<i>Reference Only</i>	6

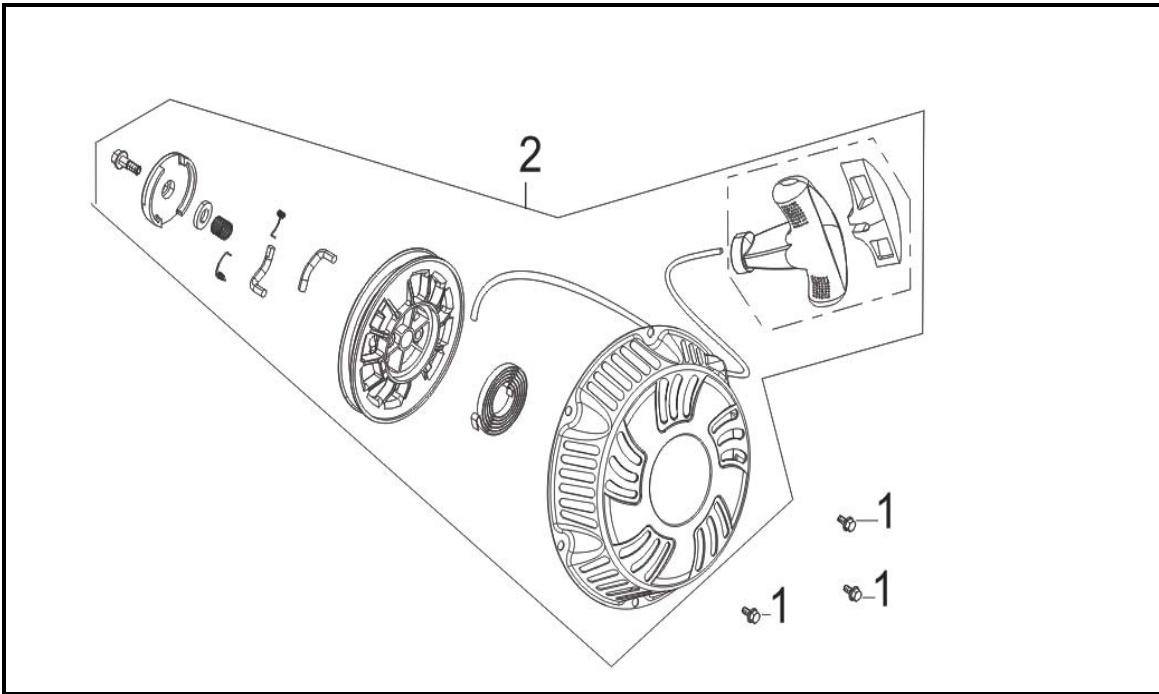
# Camshaft Assembly



REF. NO.	DESCRIPTION	PART NO.	QTY
1	Assembly, Camshaft	<i>Reference Only</i>	1
2	Valve	<i>Reference Only</i>	1
3	Seat, Valve Spring	<i>Reference Only</i>	2
4	Clamp, Valve Lock	<i>Reference Only</i>	4
5	Spring, Valve	<i>Reference Only</i>	2
6	Guide, Seal	<i>Reference Only</i>	2
7	Tappet, Valve	<i>Reference Only</i>	2
8	Lifter, Valve	E106064	2
9	Plate, Lifter Stopper	<i>Reference Only</i>	1
10	Bolt, Valve Adjusting	<i>Reference Only</i>	2
11	Rocker, Valve	E106065	2
12	Nut, Valve Adjusting	<i>Reference Only</i>	2
13	Nut, Valve Lock	<i>Reference Only</i>	2
14	Kit, Valve (Includes #2-6)	E110381	1

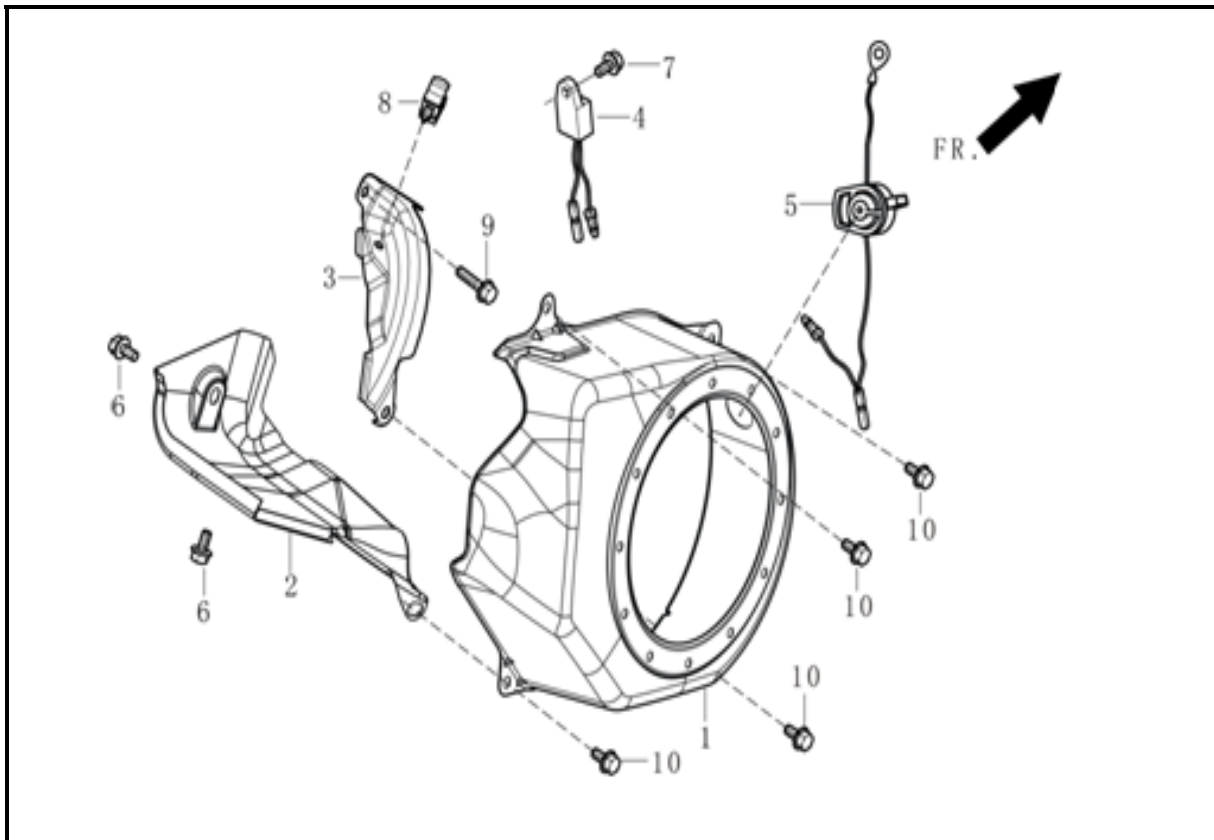


# Recoil Starter



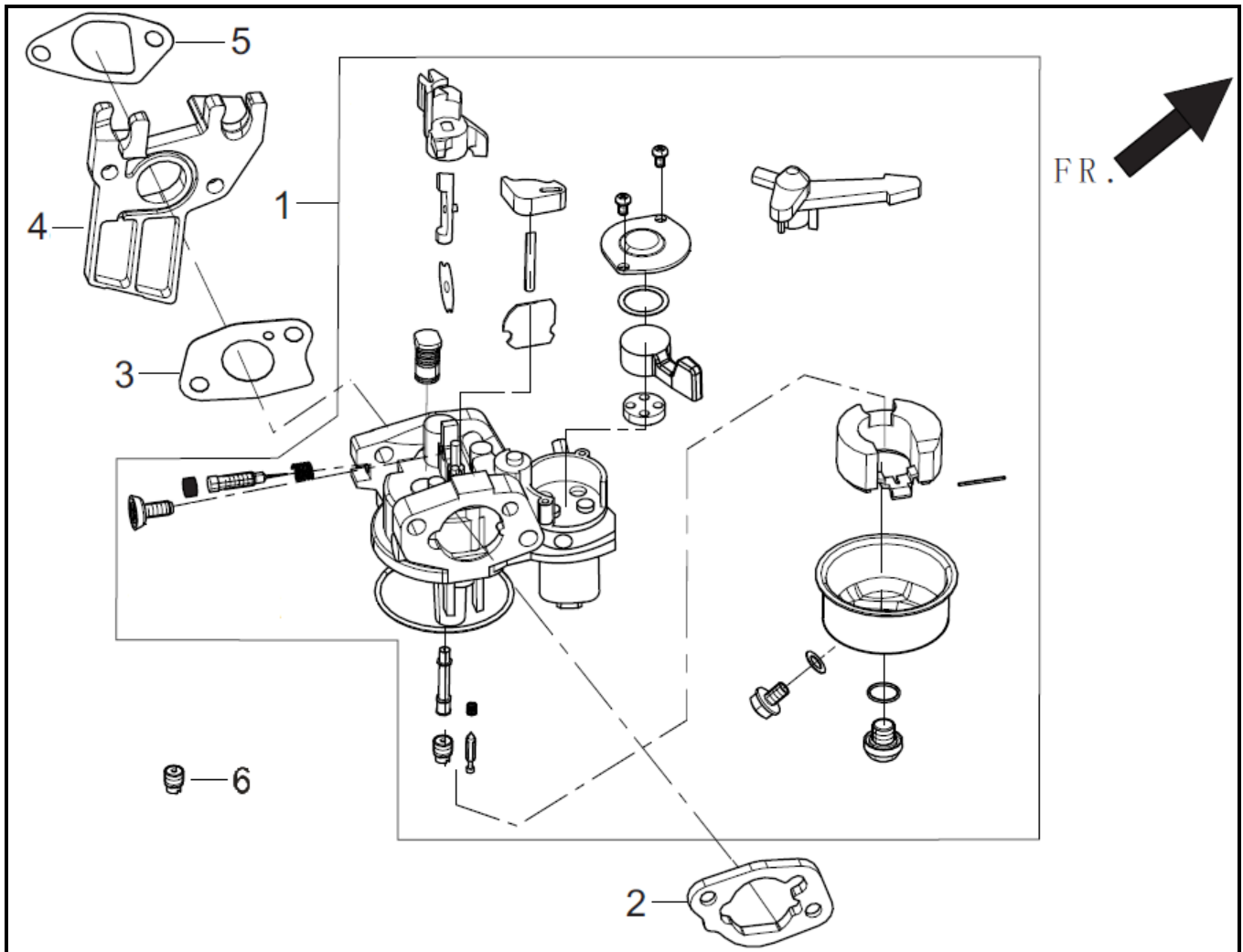
REF. NO.	DESCRIPTION	PART NO.	QTY
1	Bolt	<i>Reference Only</i>	3
2	Assembly, Recoil Starter	E105194	1

# Lower Shield/Shroud



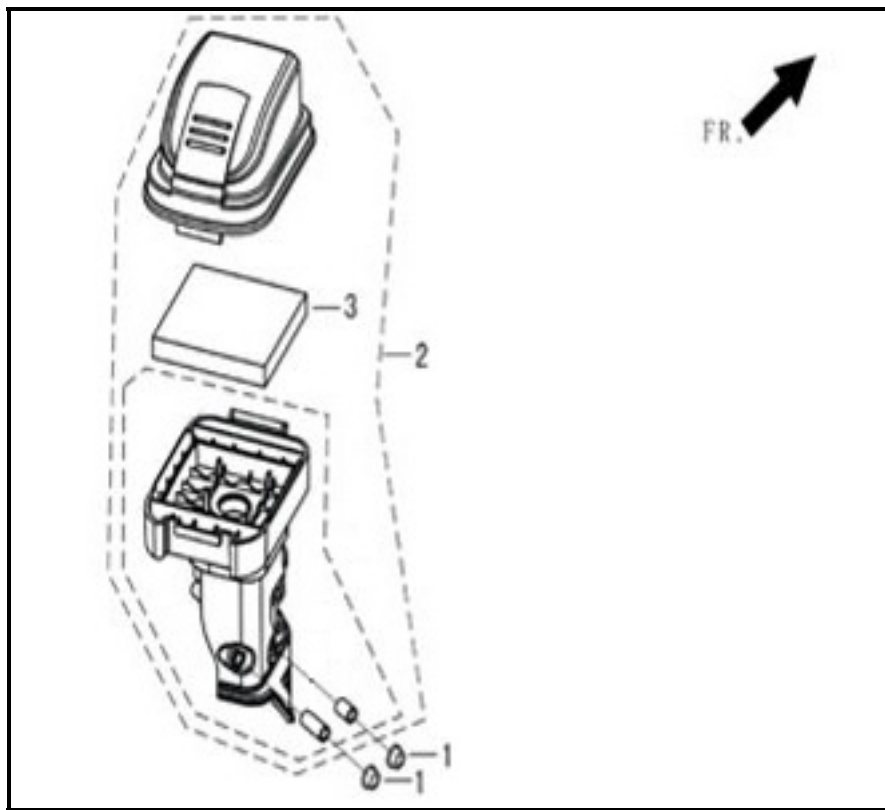
REF. NO.	DESCRIPTION	PART NO.	QTY
1	Shroud	E106066	1
2	Shroud, Cylinder Body	E106067	1
3	Shield, Lower	E106068	1
4	Protector, Oil	E106069	1
5	Switch, On/Off	E110382	1
6	Screw	<i>Reference Only</i>	2
7	Screw	<i>Reference Only</i>	1
8	Collar	<i>Reference Only</i>	1
9	Screw	<i>Reference Only</i>	1
10	Screw	<i>Reference Only</i>	4

# Carburetor Assembly



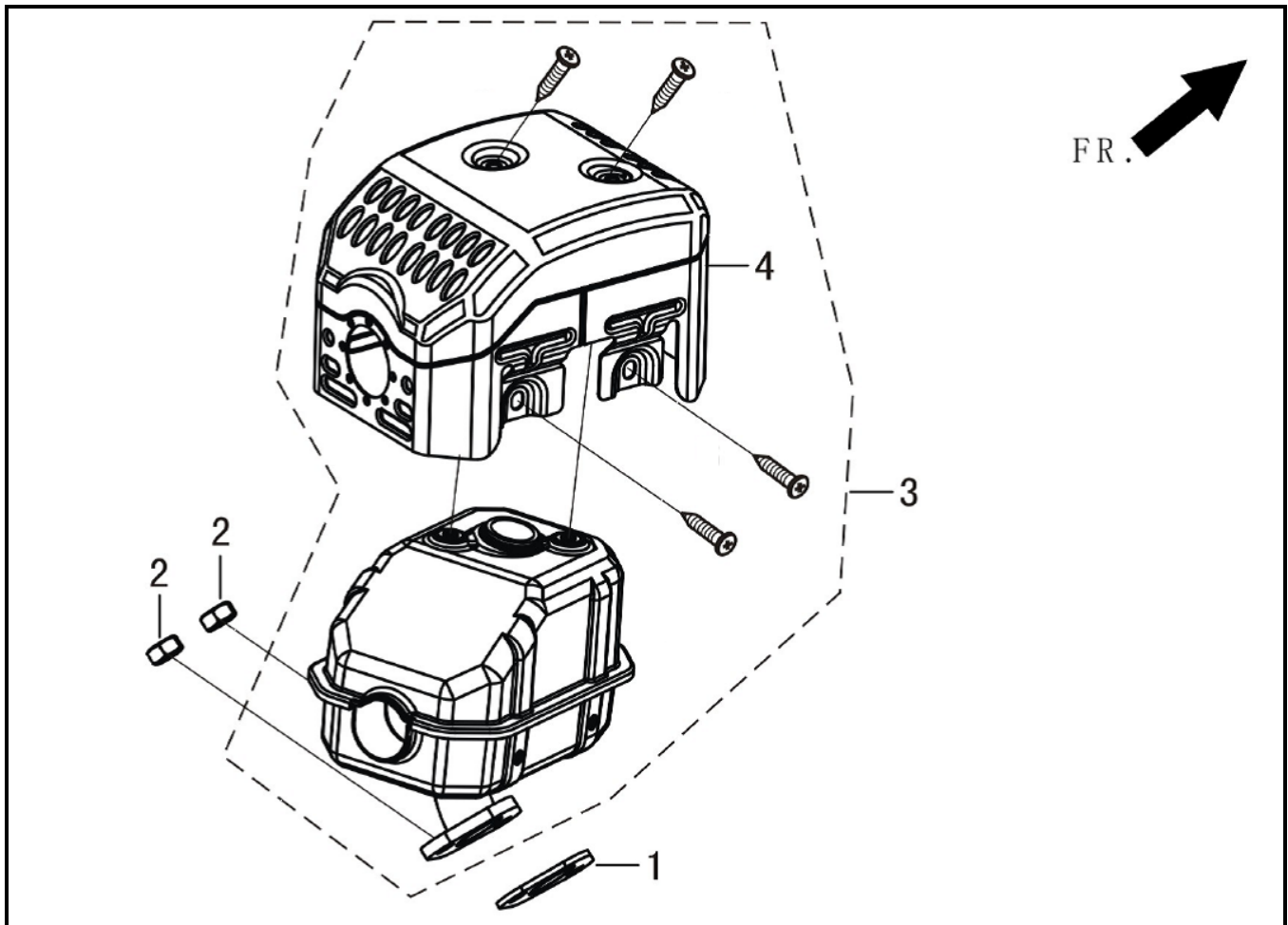
REF. NO.	DESCRIPTION	PART NO.	QTY
1	Assembly, Carburetor	E110383	1
2	Gasket, Air Cleaner	E105196	1
3	Gasket, Carburetor	E106086	1
4	Plate, Carburetor Insulator	E105198	1
5	Gasket, Carburetor Insulator	E105199	1
6A	Kit, High Altitude Jet (3000-6000 feet)	E110780	1
6B	Kit, High Altitude Jet (6000-8000 feet)	E110781	1

# Air Cleaner



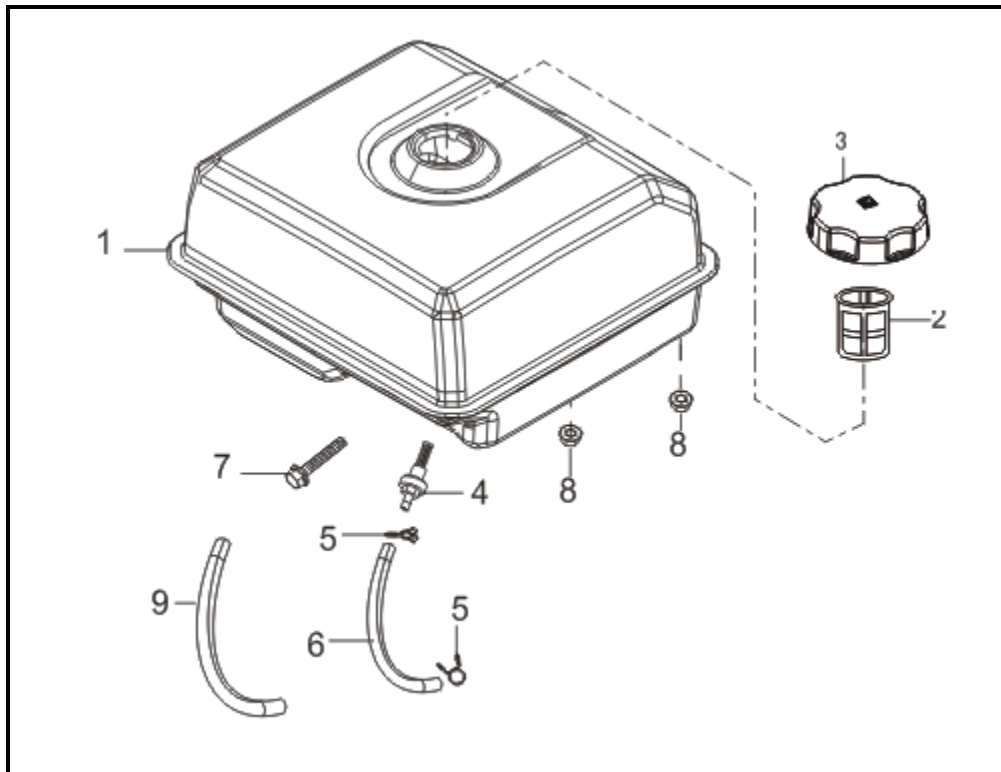
REF. NO.	DESCRIPTION	PART NO.	QTY
1	Nut	<i>Reference Only</i>	2
2	Assembly, Air Cleaner	E105201	1
3	Element, Filter	E106077	1

# Muffler Assembly



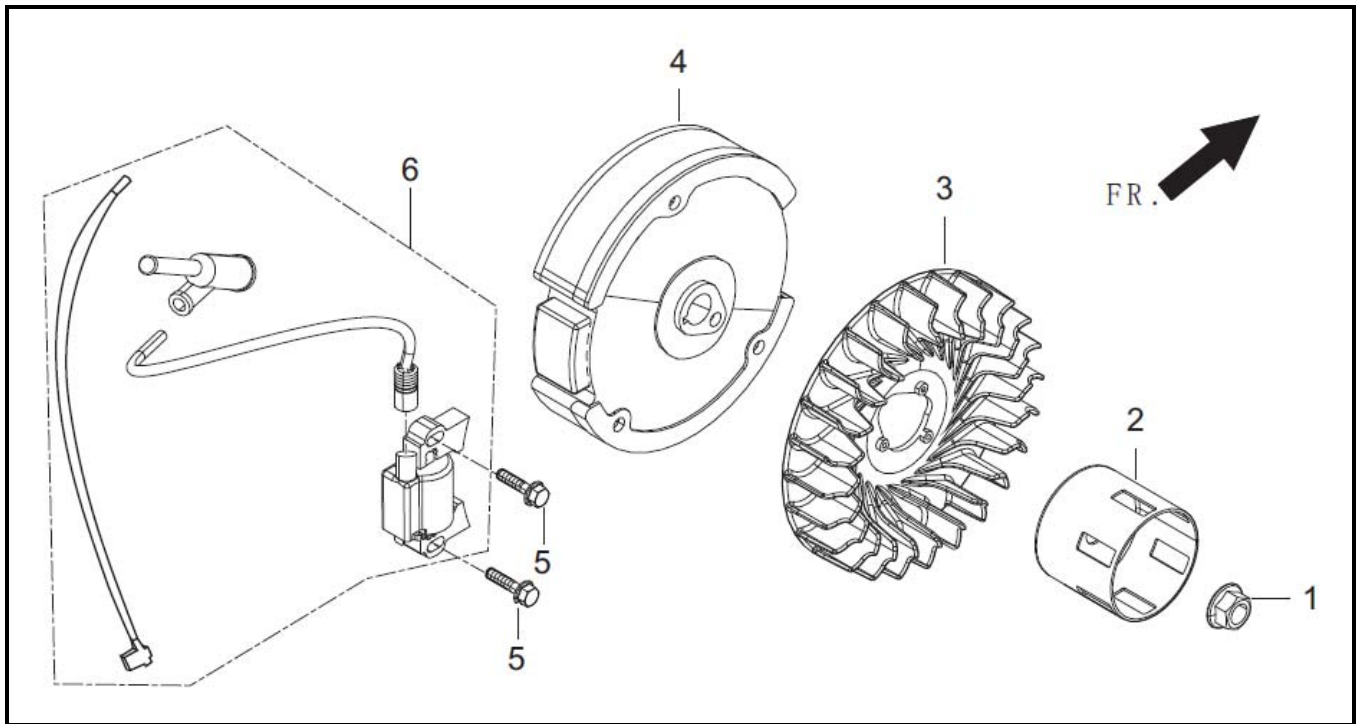
REF. NO.	DESCRIPTION	PART NO.	QTY
1	Gasket, Muffler Assembly	E105202	1
2	Nut	<i>Reference Only</i>	2
3	Assembly, Muffler	E110385	1
4	Cover, Muffler	E110386	1

# Fuel Tank Assembly



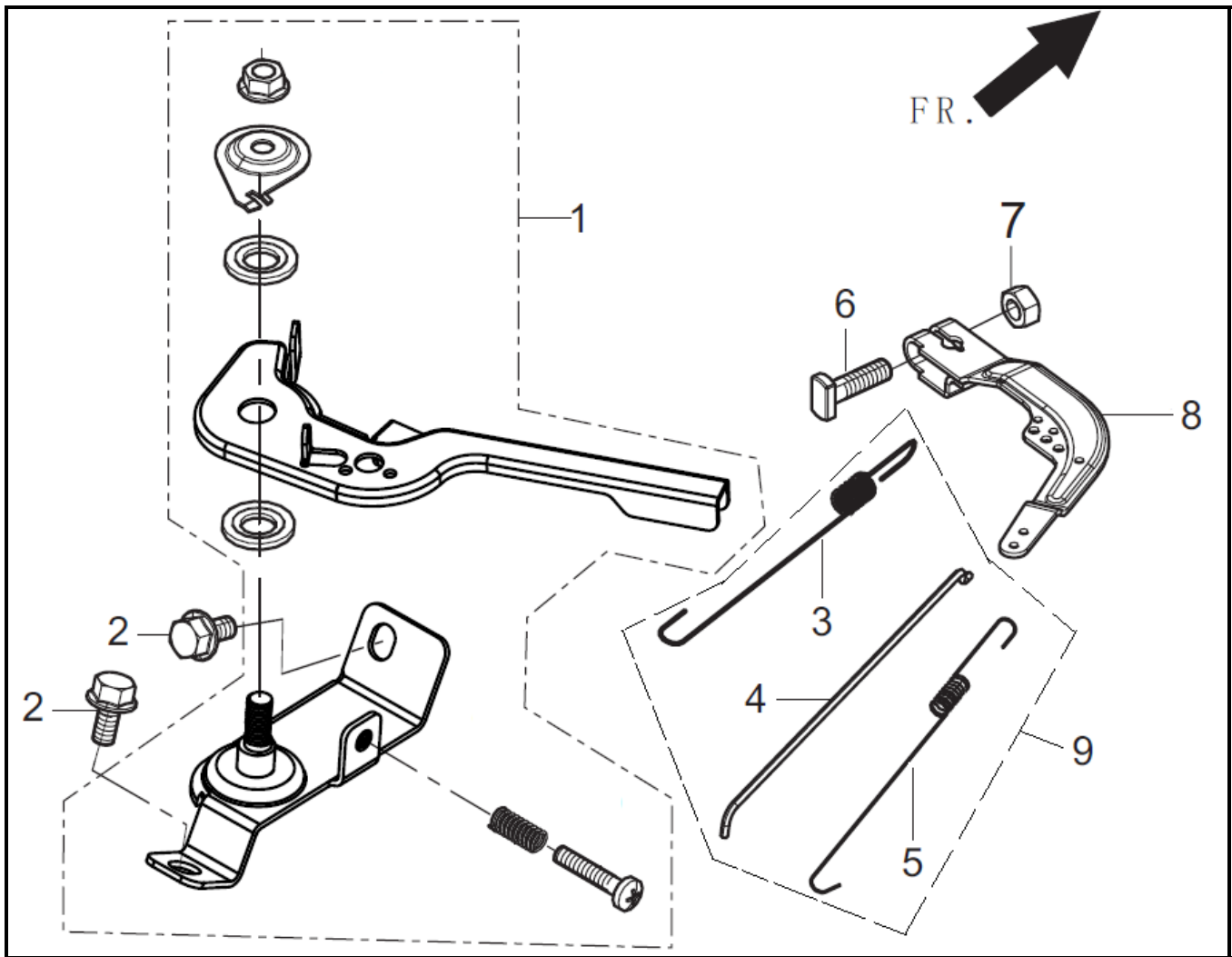
REF. NO.	DESCRIPTION	PART NO.	QTY
1	Tank, Fuel	E110387	1
2	Strainer, Fuel	E110388	1
3	Cover, Fuel Tank	E110389	1
4	Outlet, Fuel Tank Oil	E106076	1
5	Collar	<i>Reference Only</i>	2
6	Tube, Fuel	E106054	1
7	Screw	<i>Reference Only</i>	1
8	Nut	<i>Reference Only</i>	2
9	Jacket, Rubber	E106055	1

# Flywheel Assembly



REF. NO.	DESCRIPTION	PART NO.	QTY
1	Nut, Flywheel	<i>Reference Only</i>	1
2	Pulley, Starter	E110390	1
3	Impeller	E106072	1
4	Assembly, Flywheel	E110391	1
5	Screw	<i>Reference Only</i>	2
6	Coil, Ignition	E106074	1

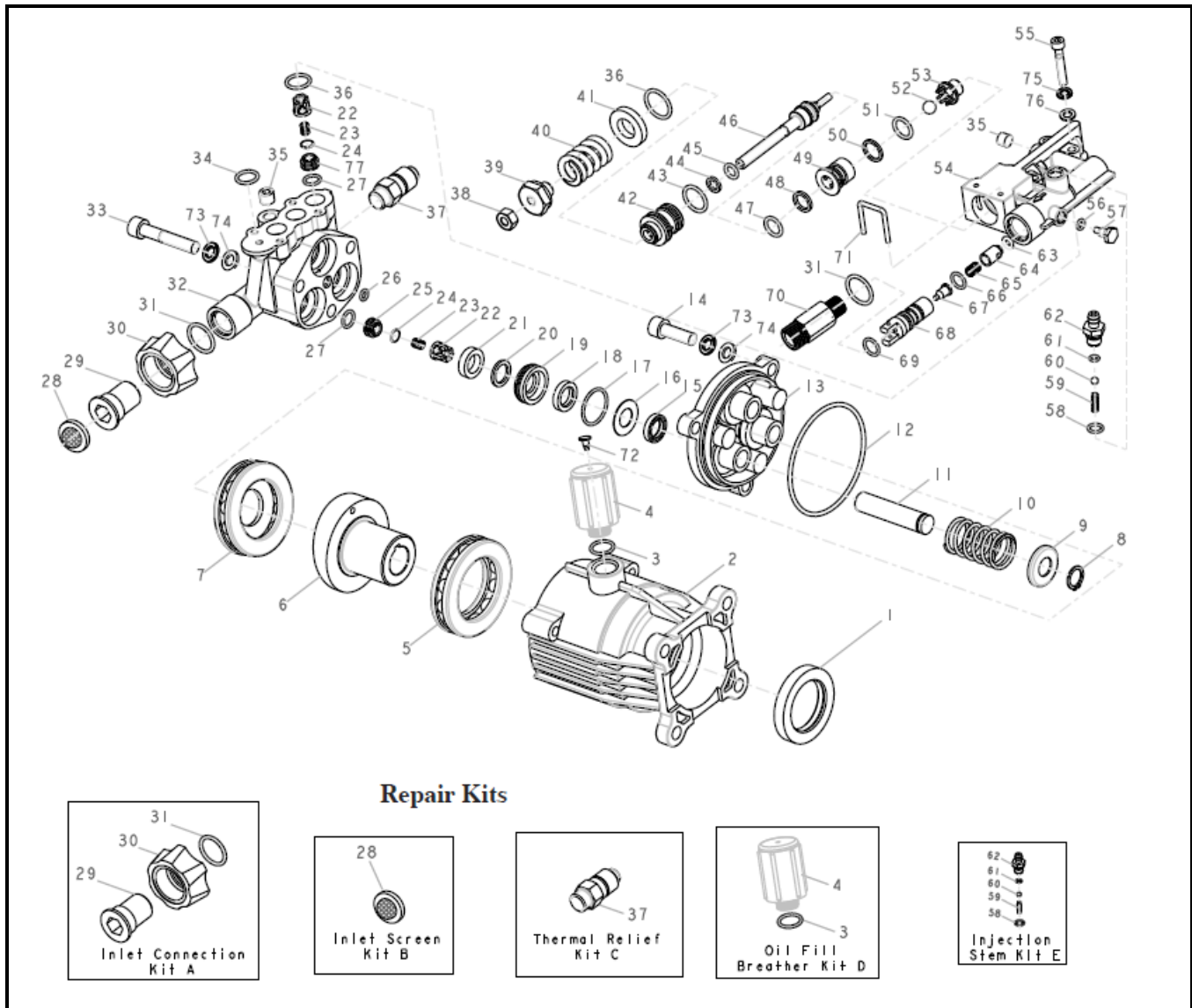
# Throttle Control Assembly



REF. NO.	DESCRIPTION	PART NO.	QTY
1	Assembly, Throttle Control	E106075	1
2	Screw	<i>Reference Only</i>	2
3	Spring, Governor	<i>Reference Only</i>	1
4	Rod, Governor	<i>Reference Only</i>	1
5	Spring, Throttle Valve Returning	<i>Reference Only</i>	1
6	Bolt, Governor Support	<i>Reference Only</i>	1
7	Nut	<i>Reference Only</i>	1
8	Assembly, Governor Support	<i>Reference Only</i>	1
9	Kit, Springs	E110392	1

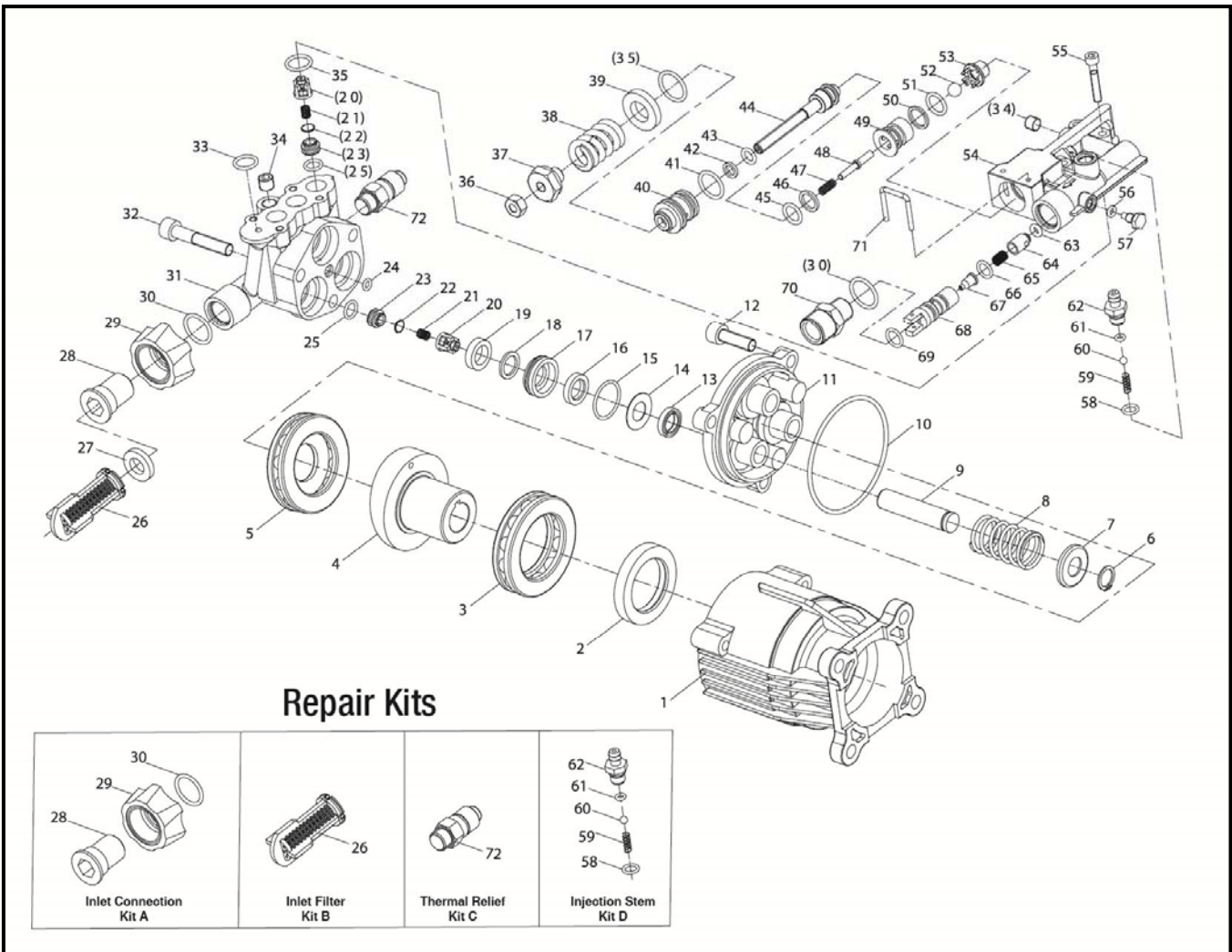


# Pump Service Kits, AXB23 (for model EPW1792500)



REF. NO.	DESCRIPTION	PART NO.	QTY
A	Kit, Inlet Connection	E108324	1
B	Kit, Inlet Screen	E104787	1
C	Kit, Thermal Relief	E110393	1
D	Kit, Oil Fill Breather	E110394	1
E	Kit, Injection Stem	E106095	1

# Pump Service Kits, Himore (for model EPW1792500.01)



REF. NO.	DESCRIPTION	PART NO.	QTY
A	Kit, Inlet Connection	E111421	1
B	Kit, Inlet Filter	E111422	1
C	Kit, Thermal Relief	E111423	1
D	Kit, Injection Stem	E111424	1

# Unit Decals

**⚠ WARNING**

**Read User's Manual Before Operation**

**Check filter and service according to manufacturer's instructions (see manual).**

**Use Regular Unleaded Gasoline with a Minimum of 87 Octane**

**Do Not Use E85 or Fuel Containing More than 10% Ethanol**

**10W30**  
(read manual for additional information)

**⚠ WARNING**

**⚠ ADVERTENCIA**

<p>Read Operator's Manual before operating this machine. Failure to follow instructions and warnings can result in serious injury or death.</p>		<p>Lea el manual del operador antes de poner en marcha este aparato. Al no seguir las instrucciones y las advertencias, podría provocar lesiones graves o la muerte.</p>
<p>Poisonous Gas Hazard. Engine exhaust contains high levels of carbon monoxide, a poisonous gas that can kill you in minutes. Operate this product only outdoors.</p>		<p>Peligro de gas venenoso. Los gases del escape del motor contienen monóxido de carbono, un gas venenoso que podría matarlo en minutos. Ponga en marcha este aparato solamente en exteriores.</p>
<p>Fluid Injection Hazard. High pressure can cut through skin. Never spray people or any body part. Squeeze trigger to relieve pressure after every engine stop.</p>		<p>Peligro de inyección de fluido. La alta presión que este aparato podría atravesar la piel o cualquier otra parte del cuerpo. Presione el gatillo para aliviar la presión, después de cada parada del motor.</p>
<p>Explosion Hazard. Explosion can cause severe burns or death. Do not spray flammable liquids. Engine must cool at least 2 minutes prior to refueling.</p>		<p>Peligro de explosión. Una explosión podría causar quemaduras graves o la muerte. No rocíe líquidos inflamables. Deje enfriar el motor al menos 2 minutos antes de rellenar de combustible.</p>
<p>Chemical Burn Hazard. Some chemicals can cause burns and result in serious injury. Do not use caustic liquids in pressure washer.</p>		<p>Peligro de quemadura química. Algunos productos químicos podrían provocar quemaduras y causar lesiones graves. No utilice líquidos cáusticos con la hidrolavadora.</p>
<p>Eye or Bodily Injury Hazard. Spray could splash back or propel objects. Always wear safety goggles and protective clothing.</p>		<p>Peligro de lesiones oculares o corporales. El agua rociada podría salpicar o propulsar objetos. Siempre lleve gafas de seguridad y ropa protectora.</p>
<p>Operation of this equipment may create sparks that can start fires around dry vegetation. A spark arrester may be required. The operator should contact local fire agencies for laws or regulations relating to fire prevention requirements.</p> <p><small>E110209</small></p>		<p>El uso de este aparato podría producir chispas e iniciar incendios en presencia de vegetación seca. Puede necesitar un parachispas. El operador debe entrar en contacto con las agencias locales de bomberos, para saber las leyes relativas a los requisitos para la prevención de incendios.</p>

REF. NO.	DESCRIPTION	PART NO.	QTY
	Kit, Decal Sheet	E110427	1