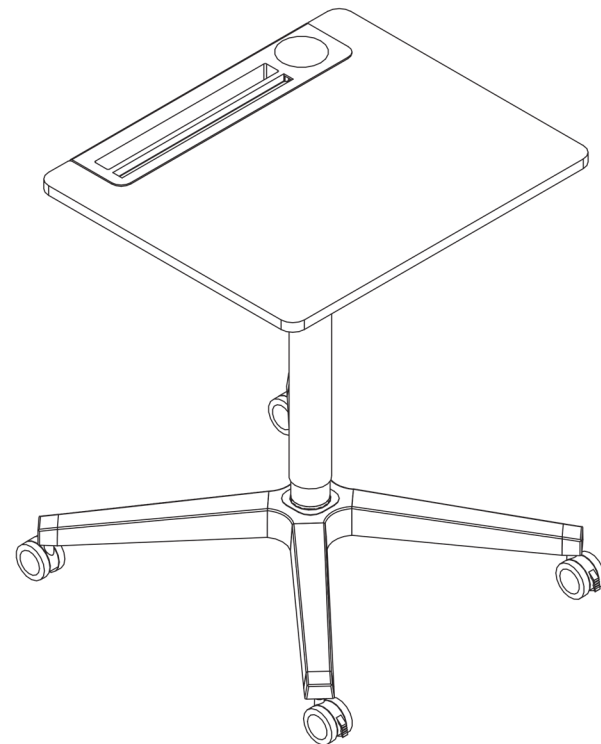




AIRLIFT® XL Sit-Stand Mobile Desk with Cup Holder



Customer Service Information

Telephone: (800) 323-5565

Fax: (310) 533-3899

Hours: 8:30 AM – 4:30 PM (PST)


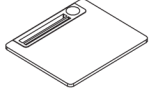





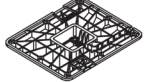











Email: Support@SevilleClassics.com

Homepage: www.SevilleClassics.com

Model #: OFF65903, OFF65904

Thank you for choosing Seville Classics! We hope that you enjoy your new Airlift mobile desk. Please read through this user guide for parts list, assembly instructions, frequently asked questions and further contact information.

Parts List

A. Split washers (4)		L. Top (1)	
B. Washers (4)		M. Cylinder (1)	
C. Tooth washers (3)		N. Airlift lever (1)	
D. M6x15 bolts (8) (for Top Mount)		O. Top mount (1)	
E. M6x12 bolts (3) (for Airlift lever)		P. Base mount (1)	
F. M8x15 bolts (4)		Q. Base (1)	
G. 5mm hex key (1)		R. Casters (2)	
H. Wrench (1)		S. Locking casters (2)	
J. M6x20 bolts (3) (for Base)		T. Hook (1)	
K. 6mm hex key (1)			

Please make sure you have all the parts on this list.

If you're missing parts, contact us for replacements at (800) 323-5565 or send an email to Support@SevilleClassics.com

Use Instructions

1. Roll desk into desired position.
2. Lock casters to prevent the table from rolling.
3. To lift, pull up on the Airlift lever.
4. To lower, pull up on the adjustment lever while pressing down on the table top.
5. Release adjustment lever to lock-in table height.

FAQs

Q. Can I use it without the wheels?

A. No. The base is not flat and will wobble without wheels.

Q. How high and how low can my desk go?

A. Maximum height is 45.6 inches. Minimum height is 30.5 inches.

Q. Why won't my desk adjust its height?

A. The adjustment wire may not be clipped into the adjustment lever correctly. Reference the diagram in STEP 3 for an example.

Q. Why is my desk adjusting slowly?

A. Desk may adjust slowly after being unused for a time. To fix this, pull up on the adjustment lever and lightly "pump" the desk top up and down. The desk should now rise smoothly.

Safety

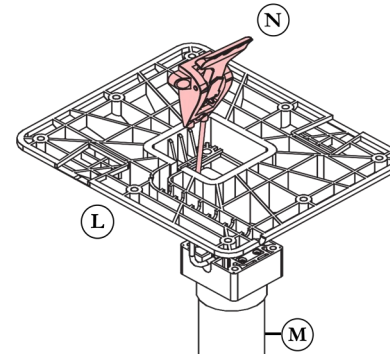
Do not tip the desk over or place upside down.
Do not place more than 33 lbs. on the desk top.

Specifications

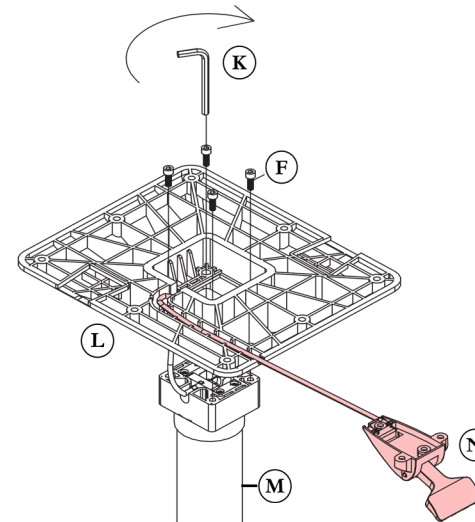
Dimensions: 21.6" W x 25.6" D x (30.5" to 45.6") H
Weight capacity: 33 lbs.
Weight: 32.34 lbs.

Assembly Instructions

STEP 1.
Pull **AIRLIFT LEVER (N)** on **CYLINDER (M)** through **TOP MOUNT (L)**.

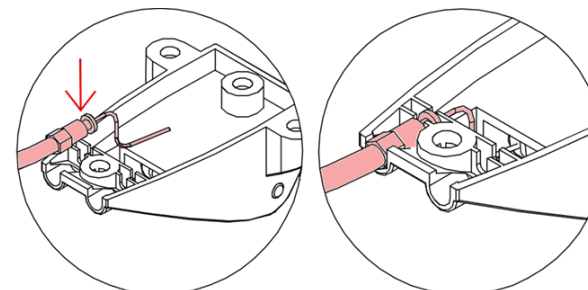


STEP 2.
Attach **TOP MOUNT (L)** to **CYLINDER (M)** with **M8x15 BOLTS (F)** and **6mm hex key (K)**.



Press cable on **AIRLIFT LEVER (N)** through guides in mount.

STEP 3.
Press cable firmly into the bracket on the back of **AIRLIFT LEVER (N)**.



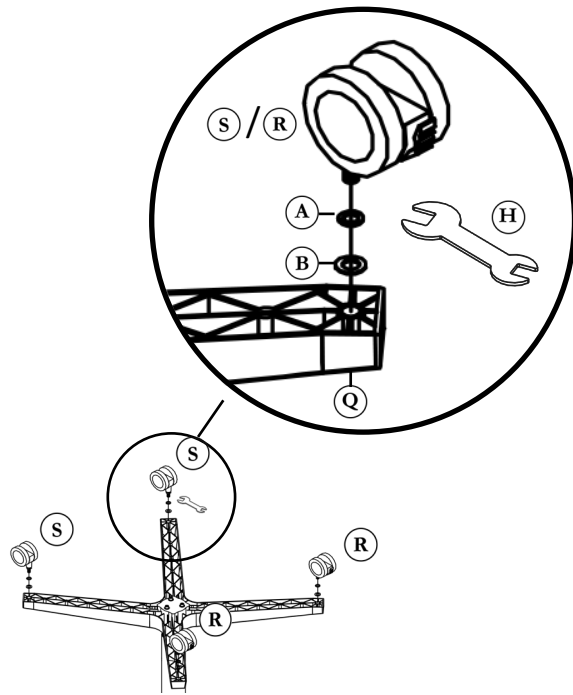
Before

After

STEP 8.
Screw **CASTERS (R)** through **SPLIT WASHERS (A)** and **WASHERS (B)** into rear of **BASE (Q)**.

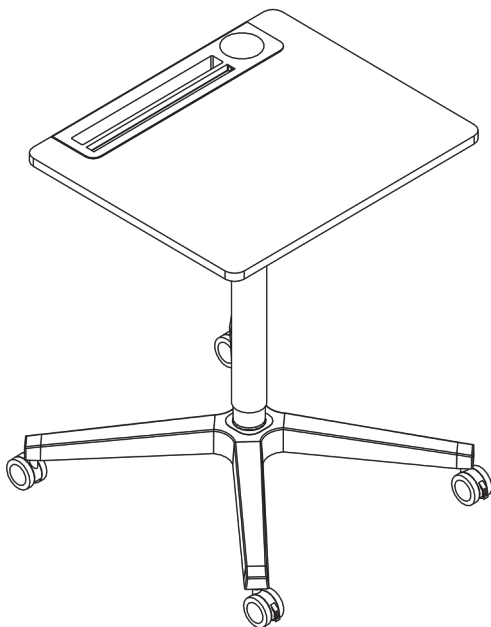
Repeat for **LOCKING CASTERS (S)**.

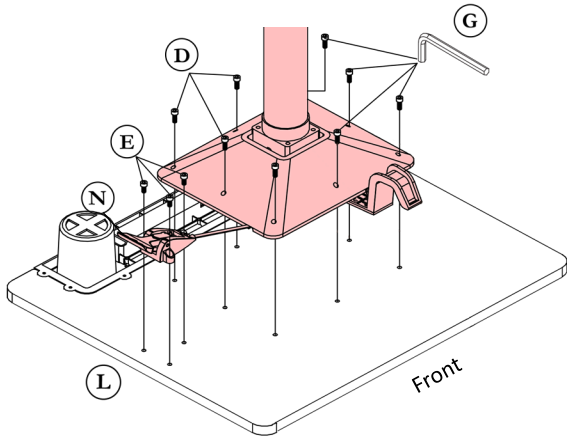
Tighten until snug with **wrench (H)**.



STEP 9.
Turn desk over to finish!

Congratulations!
Enjoy your new AIRLIFT Mobile Desk!



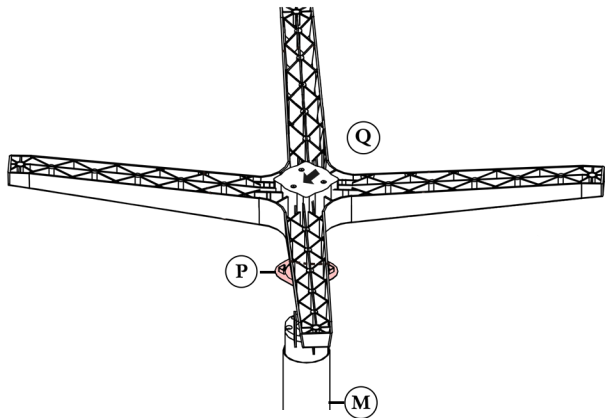


STEP 4.
Align screw holes on assembly with **TOP (L)**.

Attach assembly with **M6x15 BOLTS (D)** and **5mm hex key (G)**.

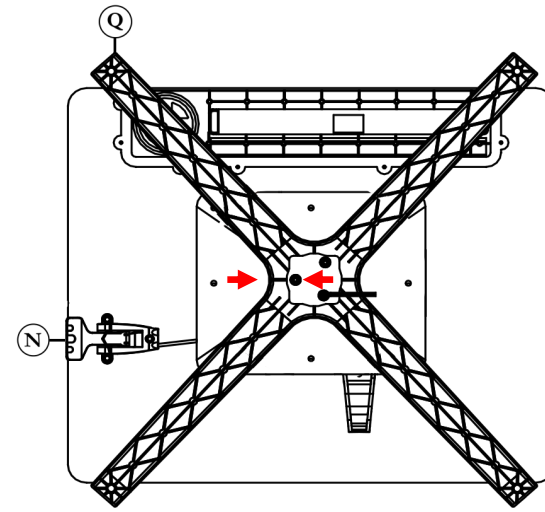
Attach **AIRLIFT LEVER (N)** with **M6x12 BOLTS (E)** and **5mm hex key (G)**.

Tighten until snug.



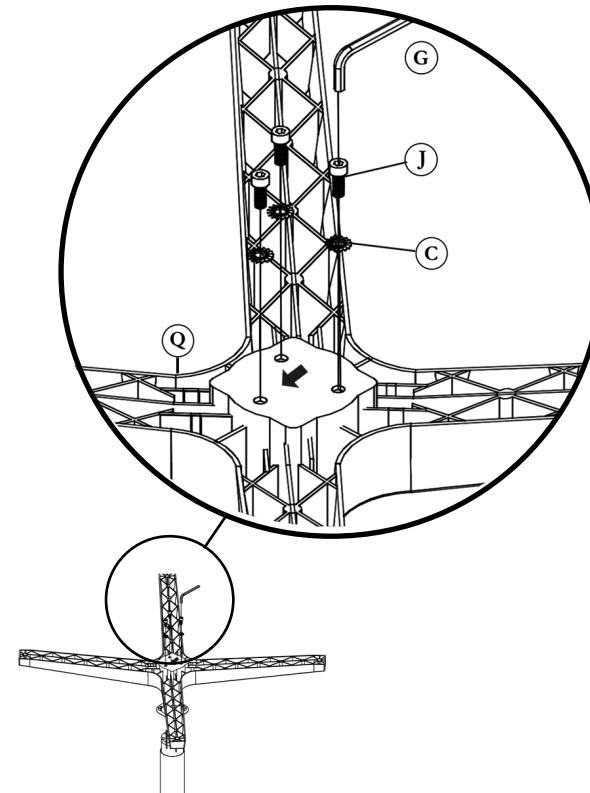
STEP 5.
Fit **BASE MOUNT (P)** between **BASE (Q)** and **CYLINDER (M)**.

Align holes on **BASE (Q)** with **BASE MOUNT (P)**.



STEP 6.
IMPORTANT: Make sure arrows on **BASE (Q)** and **TOP MOUNT (O)** point toward each other.

Screws on **BASE (Q)** should "point" toward the **AIRLIFT LEVER (N)**.



STEP 7.
Attach **BASE (Q)** with **M6x20 SCREWS (J)** through **TOOTH WASHERS (C)** and **5mm hex key (G)**.

Tighten until snug.