

frame^{it}all™
simple · modular · gardens



SCENERY SOLUTIONS

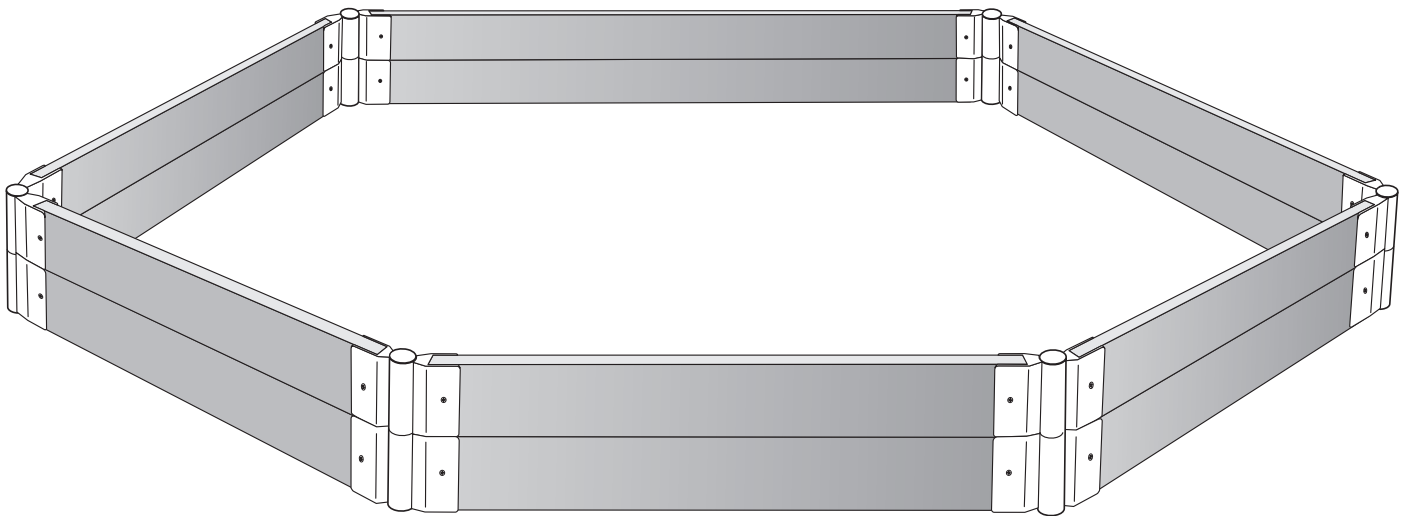
A Division of VegHerb, LLC

Manufactured and Distributed by
Scenery Solutions, Inc., 222 Grace Church Street, Suite 302
Port Chester, NY 10573

Questions call: 800-914-9835 admin@frameitall.com

©2009 Frameitall All rights reserved

Hexagon Sandbox



The Hexagon Sandbox kit contains:

- 12 Straight Timbers
- 6 2-packs of Stacking Joints
- Landscape fabric liner

Introducing the 'Frame-It-All' Hexagon Sandbox

For general assembly you can find the instructions in the 2 Pack of Frame-it-all joints.

ECO-friendly

The framework utilizes our Composite Plastic Timbers. Manufactured from 40% wood fiber and 60% recycled polyethylene, the Eco-friendly durable composite wood grain plastic timbers never rot, warp or splinter. The cut to size timbers connect to brackets with our patented Stacking Joints stakes.

Dimensions

Your Hexagon Sandbox fits in a 7' X 8' area.

Installation Notes:

Before starting to assemble the Hexagon Sandbox, refer to the parts diagram to understand how to screw the brackets onto the timbers. Remove the Stacking joints from the plastic bags and lay out the parts. Each of the joints comprises a stake and two brackets plus screws needed.

Tools Needed:

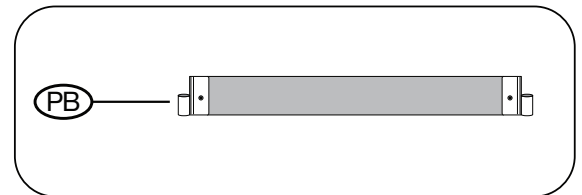
- Phillips head screwdriver
(electrical or battery operated preferred)
- Hammer

With a screwdriver, (a power driver would be helpful) attach one bracket to each end of each of the Composite Timbers as shown at right.

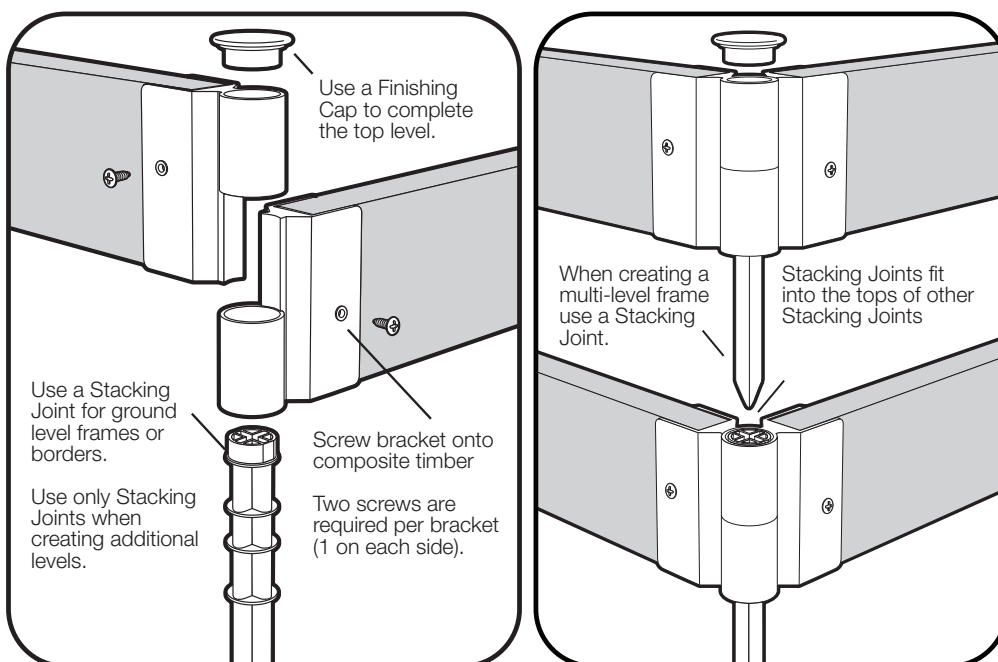
Special Instruction for bracketing timbers:

Connect brackets on the following quantity of timbers like the diagram below.

12 PB bracketed timbers

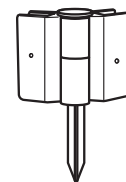


How the Joints Work



Parts Identification

Stacking Joint



Level one

Materials:

6 timbers, 6 stacking joints, fabric liner

Place liner in desired location and lay flat. Arrange timbers to create a hexagon shape and connect all of the bracketed timbers with the stakes upside down (A) so the timbers can be angled easily (Diagram 1).

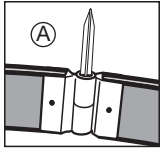


Diagram 1

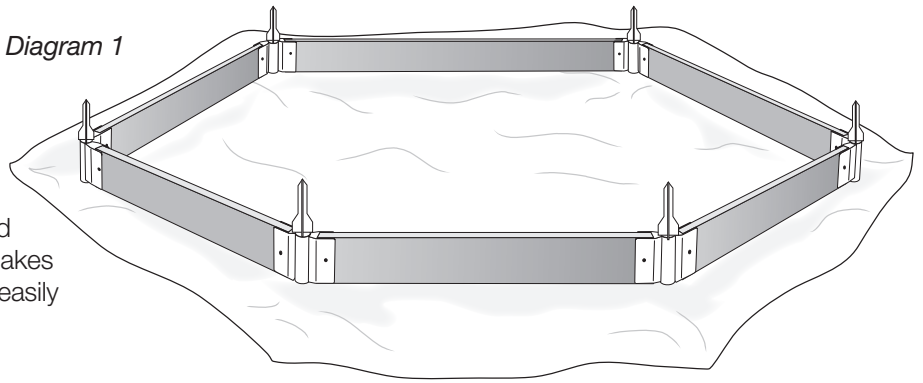
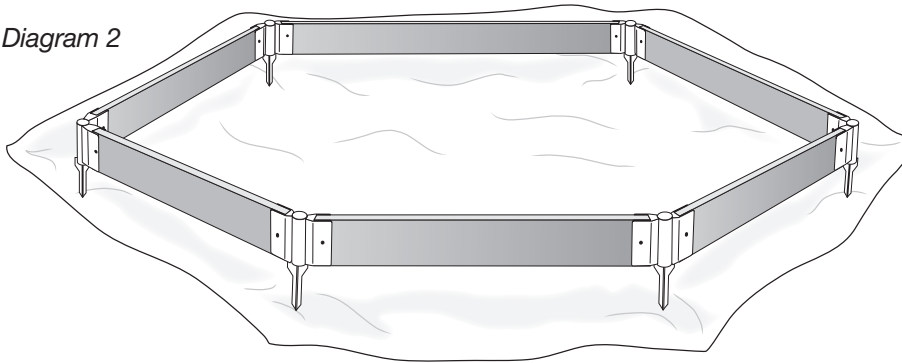


Diagram 2



Level two

Materials:

6 timbers, 6 stacking joints

Before flipping the stake around and hammering into the ground to permanently pin the first level, line up the second level to make sure the bottom level is positioned properly.

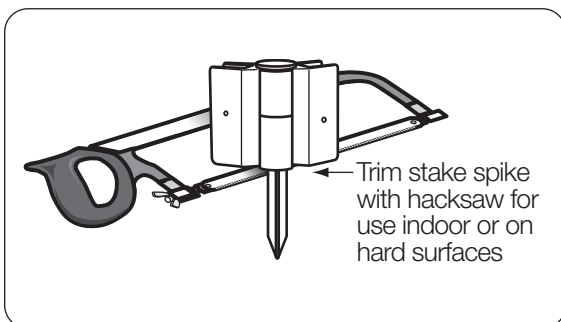
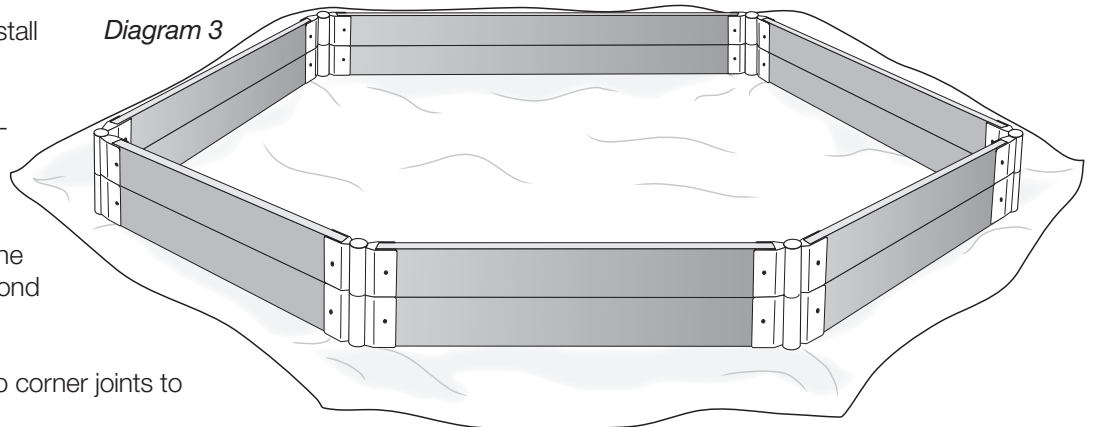
Once the second level is lined up, temporarily remove the second level pieces and hammer stakes through brackets to secure first level.

Once first level is secured, re-install second level (Diagram 3).

For the second level, use six additional bracketed timbers and the stacking stakes. Insert one Stake through the brackets into the aperture on the top of the stake beneath it to lock the second level in place.

Add the Caps to each of the top corner joints to finish off the sandbox.

Diagram 3



Note:

If you plan to assemble the Kit for use indoors or on a hard surface, remove (with a hacksaw) the spike of each stake where indicated on the diagram to the left. Use these cut down stakes for the base level of your sandbox