



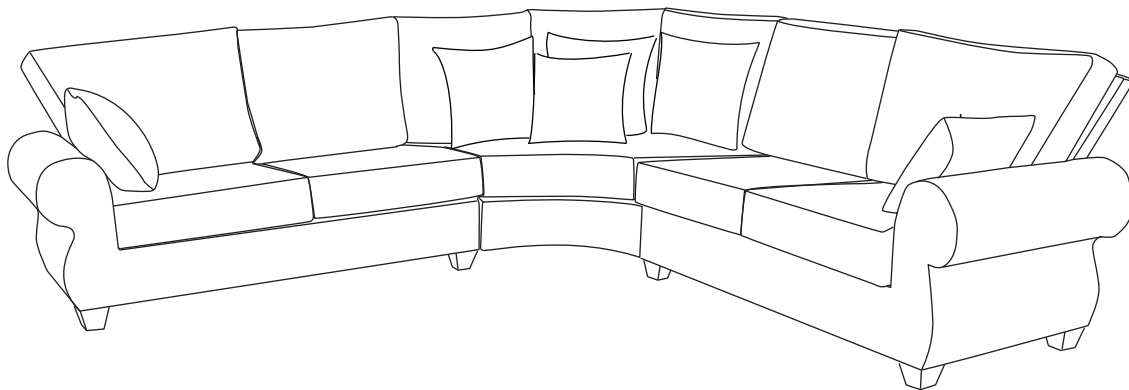
Item #636 534 and 636 536

Model #143-002-4SECOLE

USE AND CARE GUIDE

MILL VALLEY 4-PIECE FULLY WOVEN SECTIONAL SET

2 Love Seats and 1 Curved Center Sectional



Questions, problems, missing parts? Before returning to the store,
call Hampton Bay Customer Service
8.00 a.m. - 7.00 p.m. EST, Monday - Friday,
9.00 a.m. - 6.00 p.m. EST, Saturday

1-855-HD-HAMPTON

HAMPTONBAY.COM

THANK YOU

We appreciate the trust and confidence you have placed in Hampton Bay through the purchase of this 4-piece set. We strive to continually create quality products designed to enhance your home. Visit us online to see our full line of products available for your home improvement needs.

Thank you for choosing Hampton Bay!

Table of Contents

Table of Contents.....	2	Pre-Assembly	3
Safety Information.....	2	Planning Assembly	3
Warranty.....	2	Hardware Included.....	3
Two Year Frame, Weave & Fabric Limited Warranty	2	Package Contents	4
What Is Covered	2	Assembly	5
What Is Not Covered	2		
Care Instructions	2		

Safety Information



DANGER: Please keep children out of the assembly area during assembly.



WARNING: Do not stand on the chairs. Do not sit on the armrests.



CAUTION: Use the chairs on flat ground only.



IMPORTANT: Please check the tightness of bolts at least every 180 days.

Warranty

TWO YEAR FRAME, WEAVE AND FABRIC LIMITED WARRANTY

WHAT IS COVERED

We warrant the frame, weave and fabric to be free of manufacturing defects to the original purchaser for two years.

WHAT IS NOT COVERED

It remains the customer's responsibility for freight and packaging charges to and from our service center. This warranty does not cover commercial use, hardware, acts of nature, fire, freezing and abusive use. In addition, purchased parts are not covered under this warranty. We reserve the right to make substitutions with similar merchandise, if the model in question is no longer in production.

Care Instructions

Before using, wipe with a clean, dry cloth. Do not use bleach or solvents. Treat the frame with one-step liquid wax for maximum protection against UV light and salty, damp air. When not in use, store the furniture in a cool, dry place. If your set includes cushions or mesh fabric, they may be cleaned by hand with a mild solution of soap and water. Rinse the cushions thoroughly and allow to drip dry. Do not machine wash or tumble dry, as the cushions may shrink. Do not use bleach or solvents on fabrics. When cleaning the table top make sure to use a soft, clean cloth that doesn't bleed color.

You may contact our customer service department with any questions by phone at 1-855-HD-HAMPTON or visit www.hamptonbay.com.

Pre-Assembly

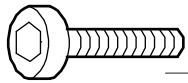
PLANNING ASSEMBLY

It will take two persons about 45 minutes to complete the assembly process.

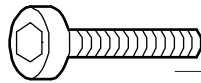
HARDWARE INCLUDED



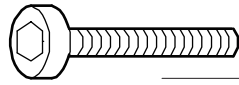
NOTE: Hardware not shown to actual size.



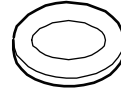
AA



BB



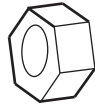
CC



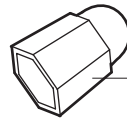
DD



FF



GG



HH



II



JJ



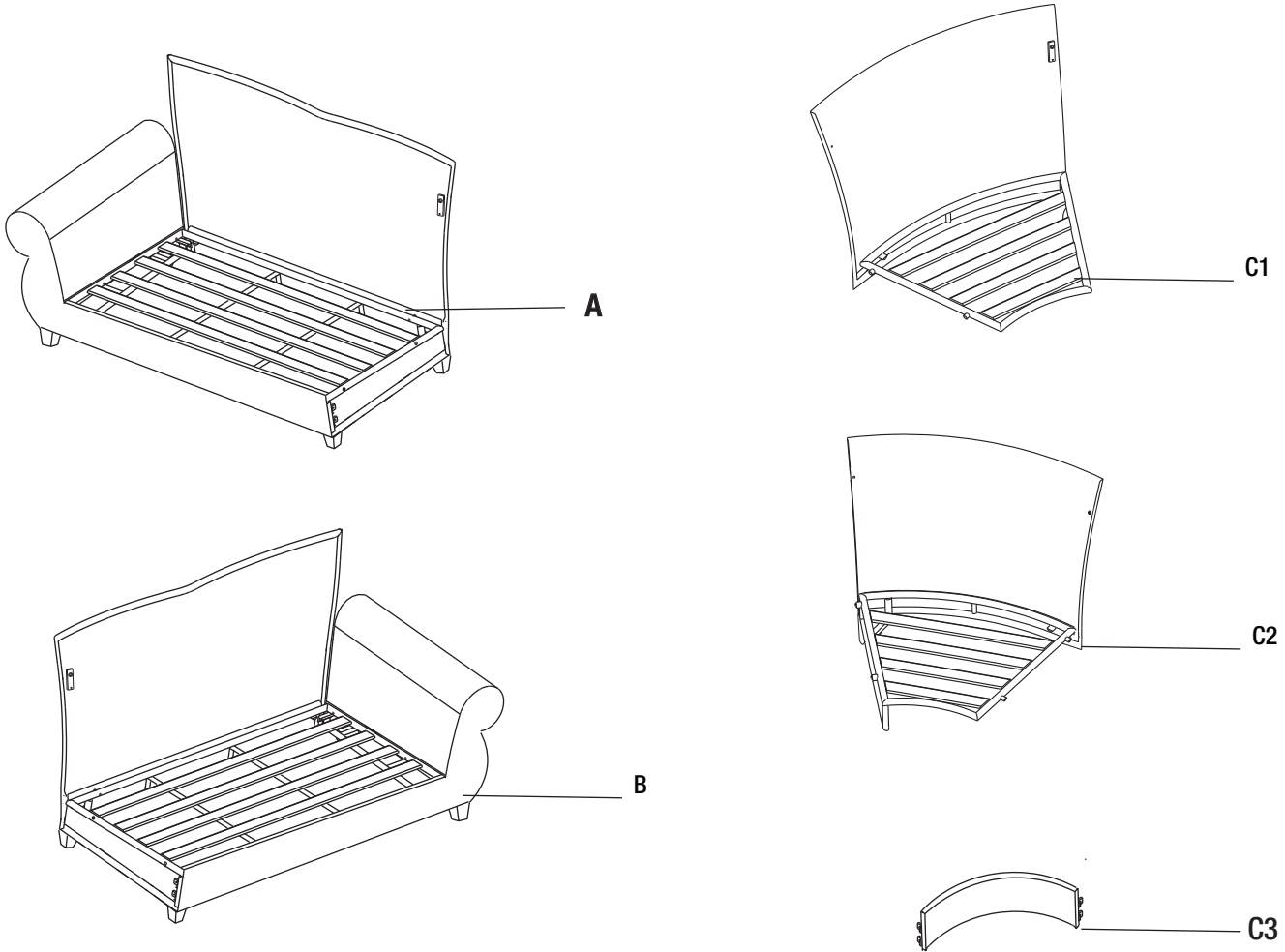
NN

Part	Description	Quantity
AA	Bolt (M6x25)	3
BB	Bolt (M6x35)	4
CC	Bolt (M6x55)	6
DD	Steel washer (M6)	23
FF	Bolt cap (M6)	16
GG	Nut	10

Part	Description	Quantity
HH	Nut cap	10
II	Hex wrench	1
JJ	Wrench (M6)	1
NN	Foot glide	9

Pre-Assembly (continued)

PACKAGE CONTENTS



Part	Description	Quantity
A	Left Loveseat	1
B	Right Loveseat	1
C1	Left Corner Section	1
C2	Right Corner Section	1
C3	Front Panel of Corner Section	1

Assembly

1 Attaching the left corner section to the right corner section

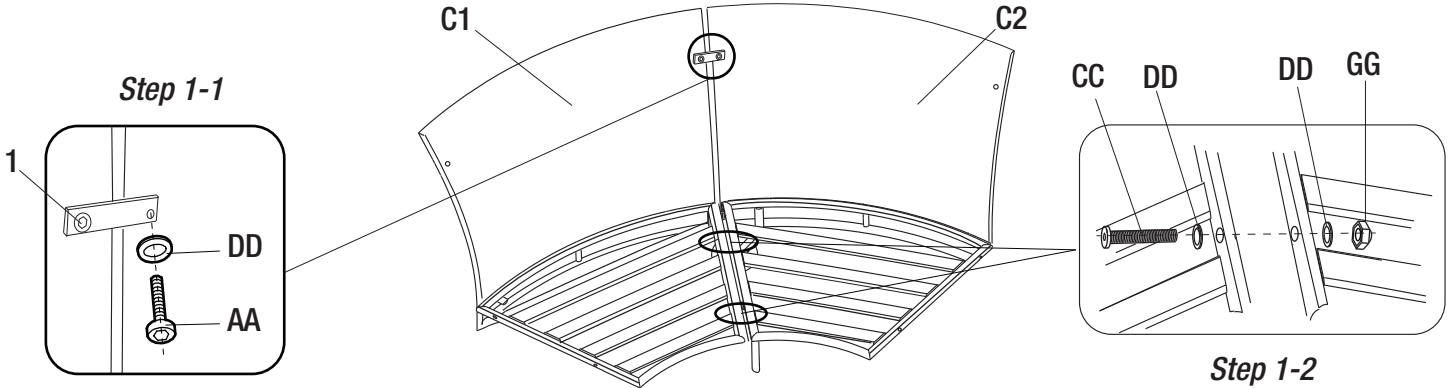
- Attach the left corner section (C1) to the right corner section (C2) at the back with one washer (DD) and one bolt (AA) using wrench (II).
- Attach the left corner section (C1) to the right corner section (C2) at the seat with four washers (DD), two bolts (CC) and two nuts (GG) using the wrenches (II & JJ).



IMPORTANT: 1. Assemble the back panels (step 1-1) first!
2. Do not fully tighten bolts until step 4.

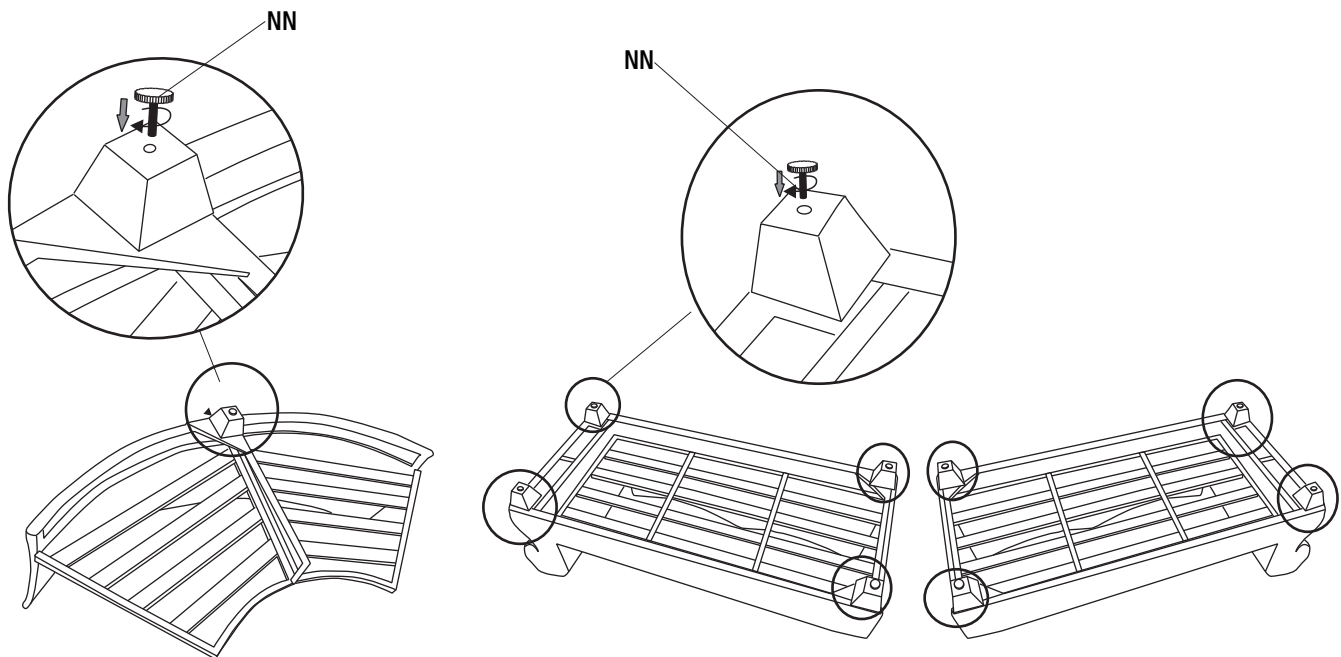


IMPORTANT: You may need to loosen the pre-installed bolt (1) on the tab before you adjusting the direction of the tab.



2 Attaching foot glides to feet

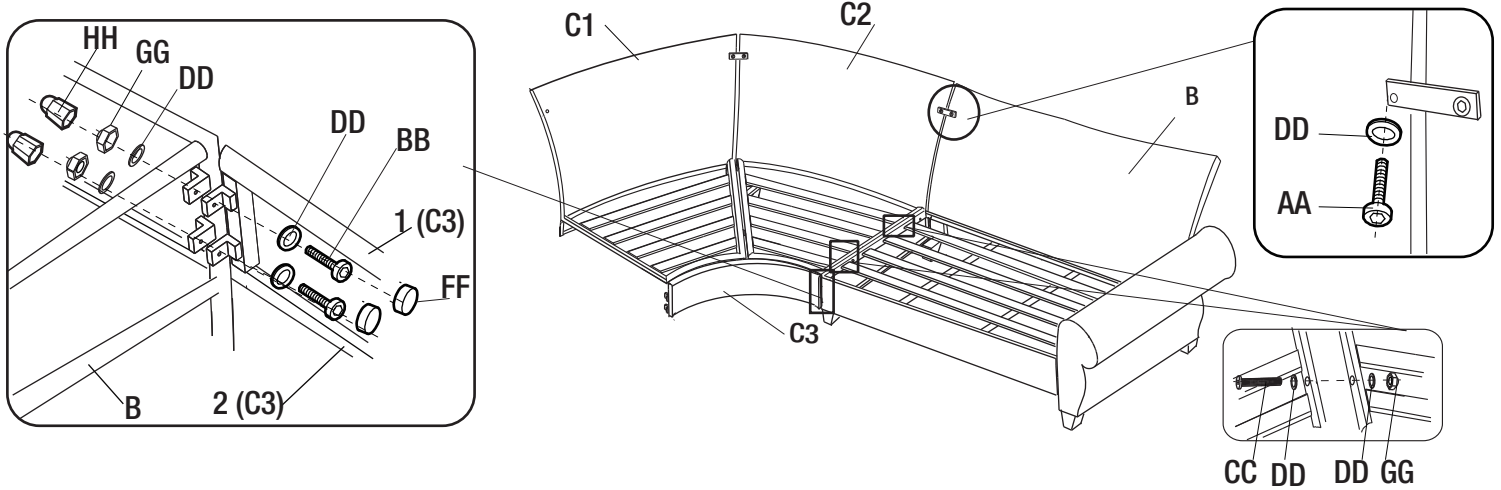
- Screw one foot glide (NN) into each foot at the bottom of each love seat and curved sectional. Totally nine glides (FF) will be used.



Assembly (continued)

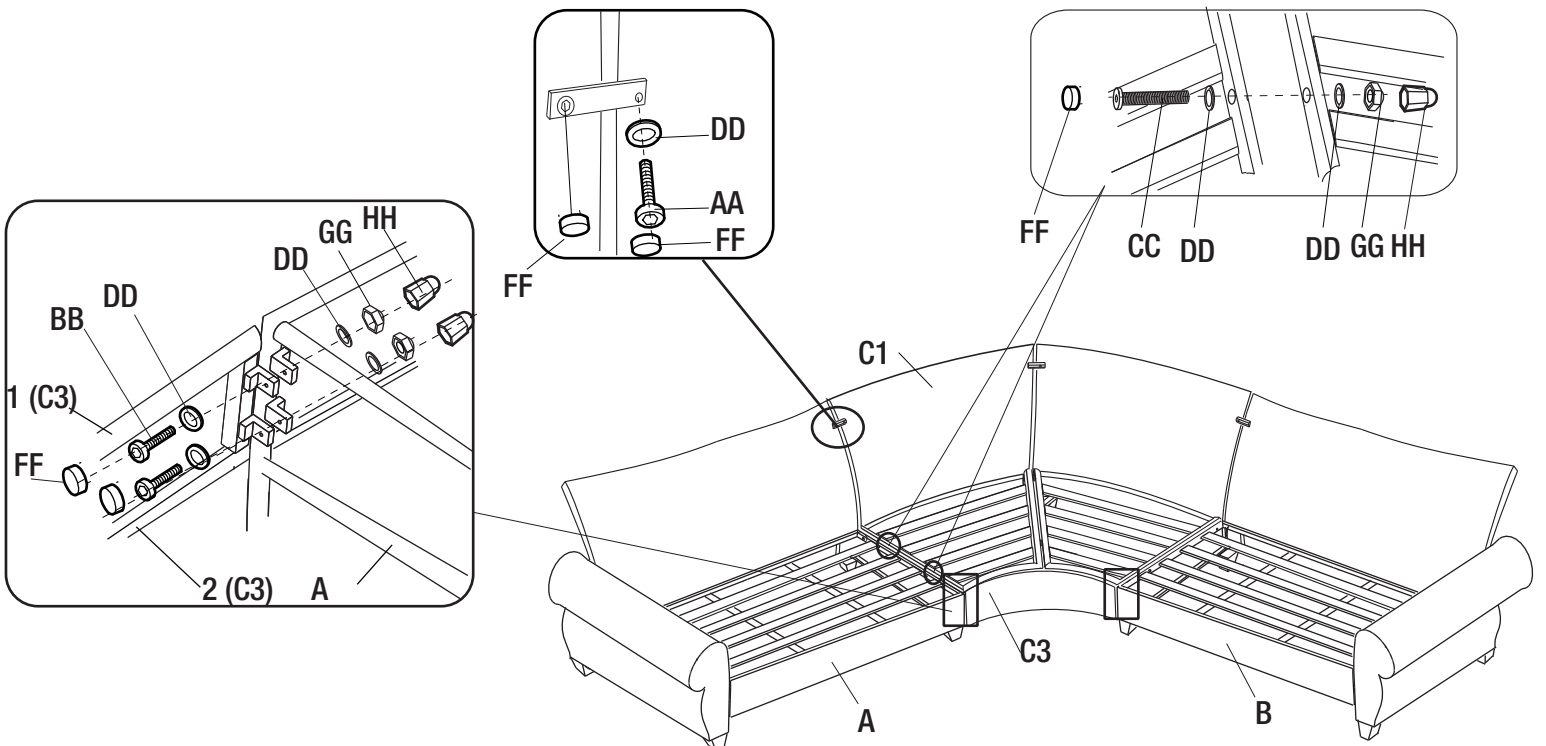
3 Attaching the right loveseat to the curved corner section

- Attach the right loveseat (B) to the corner section (C2) at the back with one washer (DD), one bolt (AA) using wrench (II).
- Attach the right loveseat (B) to the corner section (C2) at the seat with four washers (DD), two bolts (CC) and two nuts (GG) using wrenches (II & JJ). Do not fully tighten bolts until the end of step 4.
- Attach the front panel (C3) to the right loveseat (B) with four washers (DD), two bolts (BB) and two nuts (GG) using wrenches (II, JJ).
- Please note that the round tube (1) of the corner section (C3) should stay on the top while the rectangular tube (2) at the bottom.



4 Attaching the left loveseat to the curved corner section

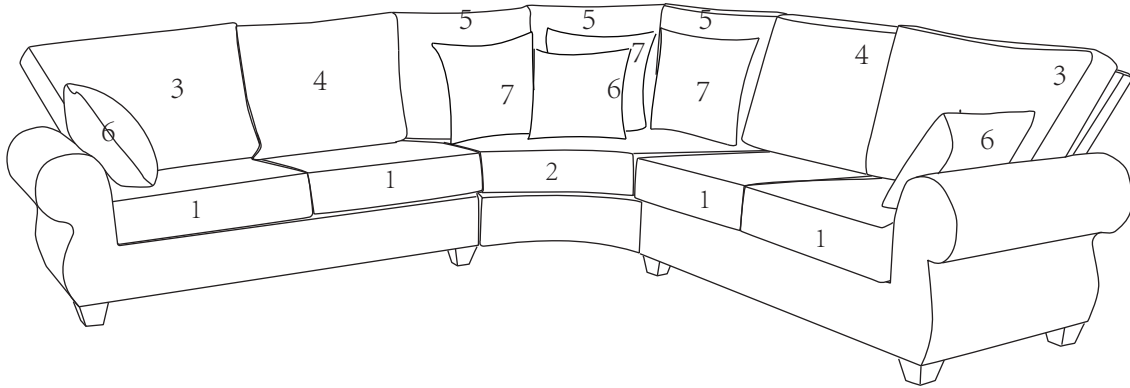
- Attach the left loveseat (A) to the corner section (C1) at the back with one washer (DD), one bolt (AA) using wrench (II).
- Attach the left loveseat (A) to corner section (C1) at the seat with four washers (DD), two bolts (CC) and two nuts (GG) using wrenches (II & JJ).
- Attach the front panel (C3) to the left loveseat (A) with four washers (DD), two bolts (BB) and two nuts (GG) using wrenches (II, JJ).
- Completely tighten all bolts (AA, BB & CC) and cover them with bolt caps (FF). Cover all nuts (GG) with nut caps (HH).





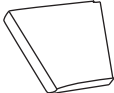




Assembly (continued)

5 Location of cushions and pillows

- Place cushions and pillows into the love seats and curved corner sectional.



No.	Cushion Shape	Description	Location	Quantity
1		Seat Cushion	Loveseat	4
2		Seat Cushion	Curved Corner Section	1
3		Left and Right Back Cushion	Loveseat	2
4		Back Cushion	Loveseat	2
5		Corner Back Cushion	Curved Corner Section	3
6		Small Toss Pillow	Loveseat (2) Curved Corner Section(1)	3
7		Big Toss Pillow	Curved Corner Section(3)	3



Questions, problems, missing parts? Before returning to the store,
call Hampton Bay Customer Service
8.00 a.m. - 7.00 p.m. EST, Monday - Friday,
9.00 a.m. - 6.00 p.m. EST, Saturday

1-855-HD-HAMPTON

HAMPTONBAY.COM

Retain this manual for future use.