



Count on it.

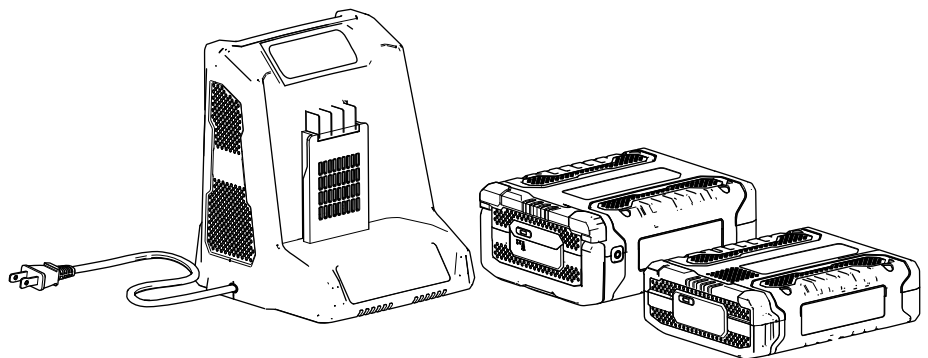
Operator's Manual

Power Plex™ 40V MAX Standard Battery Pack/Charger

Model No. 88540—Serial No. 317000001 and Up

Model No. 88541—Serial No. 317000001 and Up

Model No. 88542—Serial No. 317000001 and Up



⚠ WARNING

CALIFORNIA Proposition 65 Warning

This product contains a chemical or chemicals known to the State of California to cause cancer, birth defects, or reproductive harm.

Introduction

This battery pack/charger is intended to be used by residential homeowners. Battery charger Model 88542 is designed primarily to charge battery pack Models 88540 and 88541. It is not designed to charge any other batteries.

Battery pack Models 88540 and 88541 are designed primarily for use in most Power Plex™ products.

Read this information carefully to learn how to operate and maintain your product properly and to avoid injury and product damage. You are responsible for operating the product properly and safely.

Register your product at www.Toro.com to ensure that Toro can notify you in the case of a safety or warranty product recall.

Safety

IMPORTANT SAFETY INSTRUCTIONS—SAVE THESE INSTRUCTIONS.

SAVE THESE INSTRUCTIONS—This manual contains important safety and operating instructions for battery pack Models 88540/88541 and battery charger Model 88542.

Before using the battery charger, read all instructions and cautionary markings on the battery charger, battery pack, and product using the battery pack.

CAUTION—To reduce risk of injury, charge battery pack Models 88540 and 88541 with battery charger Model 88542 only. Other types of battery packs may burst, causing personal injury and damage.

This device complies with Part 15 of the FCC rules. Operation is subject to the following 2 conditions: (1) this device may not cause harmful interference; and (2) this device must accept any interference received, including interference that may cause undesired operation.

Warning

- This battery pack/charger is for indoor use only.
- Do not recharge non-rechargeable batteries.
- Check prior use if the output voltage and current of the battery charger is suitable for charging the battery pack.
- Do not use the charger in the circumstances that the output polarity does not match the load polarity.
- If the supply cord is damaged, have the manufacturer or its service agent or a similar qualified person replace it in order to avoid a hazard.
- Do not open the cover may under any circumstances. If the cover is damaged, do not use the adaptor.
- Disconnect the supply before making or breaking the connections to the battery.
- This appliance can be used by children aged from 8 years and above and persons with reduced physical, sensory, or mental capabilities or a lack of experience and knowledge if they are supervised or instructed concerning using the appliance safely and understand the hazards involved.
- Children shall not play with the appliance.
- Children shall not clean or maintain the appliance without supervision.

⚠ DANGER

Plugging the battery charger into an outlet that is not 120 V can cause fire or electric shock.

- Do not plug the battery charger into an outlet other than 120 V.
- For a foreign connection, use an attachment plug adapter of the proper configuration for the power outlet, if needed.

⚠ CAUTION

The battery pack may present a risk of fire or chemical burn if mistreated.

- Do not disassemble the battery pack.
- Do not heat the battery pack above 70°C (158°F) or incinerate it.
- Replace the battery pack with a genuine Toro battery pack only; using another battery pack may cause a fire or explosion.
- Keep battery packs out of the reach of children and in the original packaging until they are ready to use.

⚠ CAUTION

Dispose of a used battery pack promptly.

Dispose of lithium-ion batteries at a recycling center designated for battery recycling.

⚠ CAUTION

Overheating a battery pack can cause fire and severe burns.

Do not open, crush, heat above 70°C (158°F), or incinerate. Follow the manufacturer's instructions.

**DANGER – TO REDUCE
THE RISK OF FIRE
OR ELECTRIC SHOCK,
CAREFULLY FOLLOW
THESE INSTRUCTIONS.**

Safety and Instructional Decals



Safety decals and instructions are easily visible to the operator and are located near any area of potential danger. Replace any decal that is damaged or missing.

Symbol	Designation/Explanation
	Class II
	For indoor use only
	Before charging, read the instructions
	Current fuse (R3-360-1A-02)
	Current fuse (R3-360-3A-02, R3-360-3A-03)
	<p>Correct disposal of this product</p> <p>This marking indicates that this battery charger and battery pack should not be disposed with other household wastes throughout the EU. To prevent possible harm to the environment or human health from uncontrolled waste disposal, recycle it responsibly to promote the sustainable reuse of material resources. To return your used device, please use the return and collection systems or contact the retailer where the product was purchased. They can take this product for environmental safe recycling.</p>

TORO

LITHIUM-ION BATTERY CHARGER
CHARGEUR DE BATTERIE LITHIUM-ION
 Input: 100-120V AC 50/60Hz Max 3.0A
 Output: 41.8V MAX* DC 2.5A

*Battery manufacturer rating = 40V maximum & 36V nominal. Actual voltage varies with load.
 *Tension indiquée par le fabricant de la batterie = 40 V max., 36 V nominale. La tension réelle varie en fonction de la charge.

Backfeed Protection / Protection contre le retour d'énergie
 To reduce the risk of injury, user must read the instruction manual. Charge only

CAUTION To reduce the risk of injury, user must read the instruction manual. Charge only
 TORO PowerPlex type rechargeable battery. Other types of batteries may burst causing personal injury and damage. Risk of electric shock. Do not expose to liquid, vapor, or rain. Do not interconnect output terminal. For indoor use only.

ATTENTION Pour réduire le risque de blessures, l'utilisateur doit lire le manuel d'utilisation. Utiliser uniquement pour les batteries rechargeables type TORO PowerPlex. D'autres types de batteries pourraient exploser et causer des blessures ou des dommages. Risque de décharge électrique. Ne pas exposer à des liquides, à la vapeur ou à la pluie. Ne pas interconnecter la borne de sortie. Pour usage intérieur uniquement.

Country of Origin: PRC / Pays d'origine : PRC
 THE TORO COMPANY Conforms to UL STD 1012
 8111 Lyndale Avenue South Certified to CAN/CSA
 Bloomington, MN 55420-1196 USA STD C22.2 No.107-2-01 Intertek
 PATENT: www.ttopats.com 3131666

Model: **88542** SL
 Modèle:
 Serial Number:
 Numéro de série:
 Date Code:
 Code de date:

136-2473

decal136-2473

POWERPLEX™ 40V^{MAX} LITHIUM

CHARGING PROCEDURE (LED INDICATOR) / PROCEDURE DE CHARGEMENT (VOYANT DEL)
 DO NOT REMOVE THIS DECAL / NE PAS RETIRER CET AUTOCOLLANT

1

2

3

4

136-2476

decal136-2476

1. The battery pack is charging.
2. The battery pack is fully charged.
3. The battery pack is too warm.
4. Replace the battery pack.

WARNING To reduce the risk of injury, user must read the instruction manual. Use only with TORO PowerPlex battery charger. Wear eye protection. Do not short terminals. Do not throw into fire. Risk of fire, explosion and burns. Do not disassemble, crush, expose to heat or incinerate. Keep battery out of reach of children. To reduce risk of injury to persons, remove battery pack when not in use.

AVERTISSEMENT Pour réduire le risque de blessures, l'utilisateur doit lire le manuel d'utilisation. Utilisez uniquement avec chargeur de batterie TORO PowerPlex. Portez des lunettes de protection. Ne pas court-circuiter. Ne jetez pas au feu. Risque d'incendie, d'explosion et des brûlures. Ne pas démonter, écraser, exposer à une température au-dessus ou incinérer. Conservez la batterie hors de portée des enfants. Pour réduire les risques de blessures corporelles, retirez l'ensemble batterie quand la machine ne sert pas.

TORO 40V MAX* DC 90 Wh
Li-Ion Battery / Batterie au lithium-ion
 *Battery manufacturer rating = 40V maximum & 36V nominal. Actual voltage varies with load.
 *Tension indiquée par le fabricant de la batterie = 40 V max., 36 V nominale. La tension réelle varie en fonction de la charge.

THE TORO COMPANY Country of Origin: PRC / Pays d'origine : PRC
 8111 Lyndale Avenue South Bloomington, MN 55420-1196 USA PATENT: www.ttopats.com

Model: **88540**
 Modèle:
 Serial Number:
 Numéro de série:
 Date Code:
 Code de date:

136-2471

Model 88540

decal136-2471

WARNING To reduce the risk of injury, user must read the instruction manual. Use only with TORO PowerPlex battery charger. Wear eye protection. Do not short terminals. Do not throw into fire. Risk of fire, explosion and burns. Do not disassemble, crush, expose to heat or incinerate. Keep battery out of reach of children. To reduce risk of injury to persons, remove battery pack when not in use.

AVERTISSEMENT Pour réduire le risque de blessures, l'utilisateur doit lire le manuel d'utilisation. Utilisez uniquement avec chargeur de batterie TORO PowerPlex. Portez des lunettes de protection. Ne pas court-circuiter. Ne jetez pas au feu. Risque d'incendie, d'explosion et des brûlures. Ne pas démonter, écraser, exposer à une température au-dessus ou incinérer. Conservez la batterie hors de portée des enfants. Pour réduire les risques de blessures corporelles, retirez l'ensemble batterie quand la machine ne sert pas.

TORO 40V MAX* DC 180 Wh
Li-Ion Battery / Batterie au lithium-ion
 *Battery manufacturer rating = 40V maximum & 36V nominal. Actual voltage varies with load.
 *Tension indiquée par le fabricant de la batterie = 40 V max., 36 V nominale. La tension réelle varie en fonction de la charge.

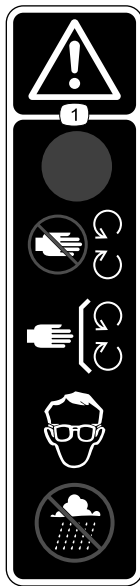
THE TORO COMPANY Country of Origin: PRC / Pays d'origine : PRC
 8111 Lyndale Avenue South Bloomington, MN 55420-1196 USA PATENT: www.ttopats.com

Model: **88541**
 Modèle:
 Serial Number:
 Numéro de série:
 Date Code:
 Code de date:

136-2472

Model 88541

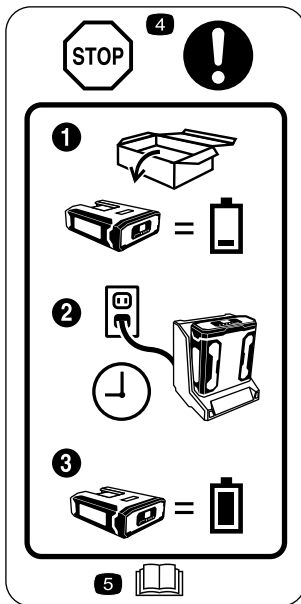
decal136-2472



136-2533

decal136-2533

1. Warning—read the *Operator's Manual*; keep away from moving parts; keep all guards and covers in place; wear eye protection; do not operate in wet conditions.



136-2534

decal136-2534

- | | |
|--|--|
| <ol style="list-style-type: none"> 1. The battery does not come out of the box fully charged. 2. Place the battery in the battery charger. 3. Wait until the battery is fully charged before the first use. | <ol style="list-style-type: none"> 4. Stop—follow these instructions before first use. 5. Read the <i>Operator's Manual</i>. |
|--|--|

Setup

Mounting the Battery Charger (Optional)

If desired, mount the battery charger securely on a wall using the wall-mount key holes on the back of the charger.

Mount it indoors (such as a garage or other dry place), near a power outlet, and out of the reach of children.

Refer to [Figure 1](#) for assistance in mounting the charger.

Note: Slide and twist the charger over the appropriately positioned hardware to secure the charger in place (hardware not included).

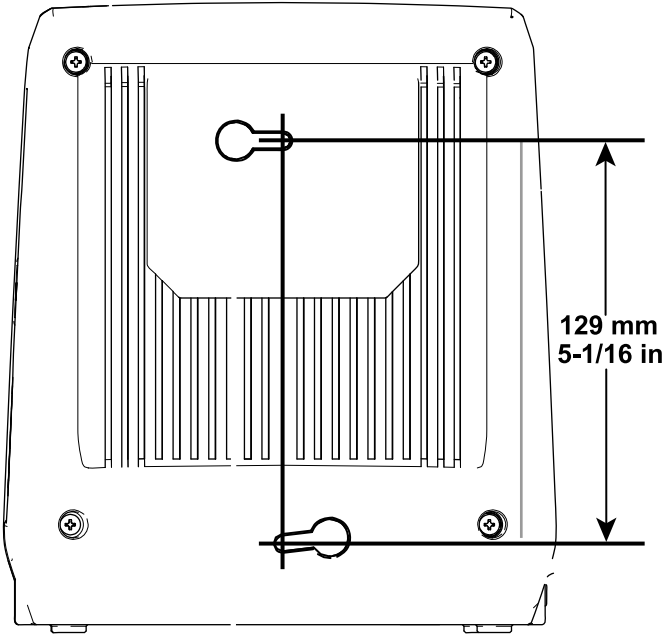


Figure 1

g194202

Product Overview

Specifications

Battery Charger

Specification	R3-360-3A-02	R3-360-1A-02	R3-360-3A-03
Type	36 V 3.6 A Battery Charger	36 V 0.65 A Battery Charger	36 V 3.0 A Battery Charger
Input	200 to 240 VAC 50/60Hz 160W	100 to 240VAC 50/60 Hz 30 W	100 to 240 VAC 50/60 Hz 160 W
Output	36 VDC 3.6 A	36 VDC 0.65 A	36 VDC 3.0 mA

Battery Pack (Model R3-360-AH-U-01/2)

Voltage per cell	3.6 V
Number of cells	10
Battery pack voltage	36 V
Battery pack capacity	2 to 3 Ah

Operation

Charging the Battery Pack

Important: The battery pack is not fully charged when you purchase it. Before using the tool for the first time, place the battery pack in the charger and charge it until the LED display indicates the battery pack is fully charged. Read all safety precautions.

Important: For best results, charge your battery pack in a location where the temperature is more than 0°C (32°F) but less than 50°C (122°F). To reduce the risk of serious personal injury, do not store the battery pack outside or in vehicles. Charging time increases if you do not charge it within this range.

Note: At any time, press the battery-charge-indicator button on the battery pack to display the current charge (LED indicators).

1. Make sure that the vents on the battery are clear of any dust and debris.
2. Line up the cavity in the battery pack (Figure 2) with the tongue on the charger.

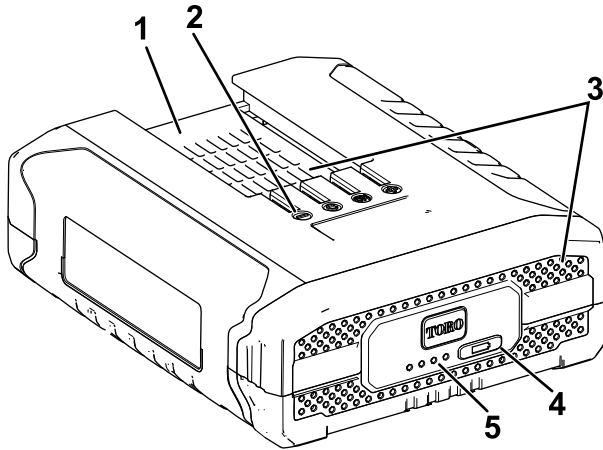


Figure 2
Model 88540

1. Battery pack cavity
2. Battery pack terminals
3. Battery pack venting areas
4. Battery-charge-indicator button
5. LED indicators (current charge)

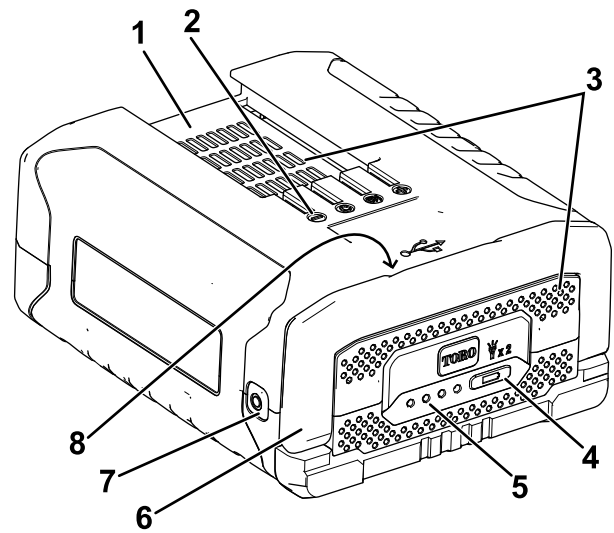


Figure 3
Model 88541

1. Battery pack cavity
2. Battery pack terminals
3. Battery pack venting areas
4. Battery-charge-indicator button
5. LED indicators (current charge)
6. Handle
7. Flashlight
8. USB port (not shown; located under handle)

Note: Quickly press the battery-charge-indicator button twice to turn the flashlight on or off (battery pack Model 88541 only). The flashlight automatically shuts off after approximately 60 minutes of use.

Note: The USB port is provided for your convenience to charge small electronics such as your cell phone or tablet (battery pack Model 88541 only).

3. Make sure that the vents on the battery charger are clear of any dust and debris.
4. Slide the battery pack into the charger until it is fully seated (Figure 4).

Installing the Battery Pack

Important: Operate the battery only in temperatures that are -15°C (5°F) to 65°C (149°F).

1. Make sure that the vents on the battery are clear of any dust and debris.
2. Line up the cavity in the battery pack with the tongue on the tool.
3. Grasp the trigger handle.
4. Slide the battery pack into the tool until the battery locks into the latch (Figure 5).

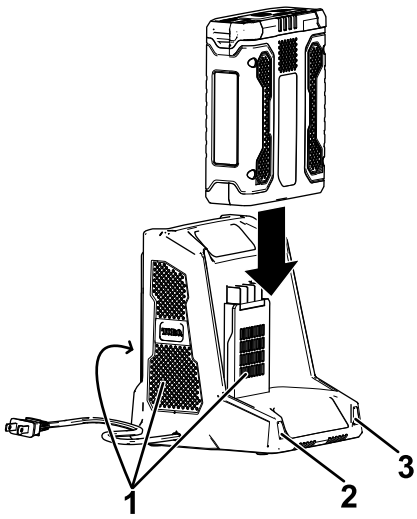


Figure 4

g194423

1. Charger venting areas
2. Left indicator light
3. Right indicator light

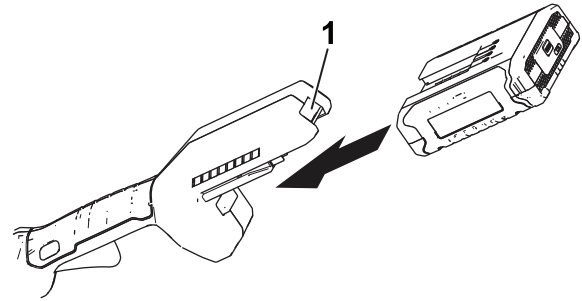


Figure 5
(Trimmer shown)

g189881

1. Battery latch

5. To remove the battery pack, slide the battery backward out of the charger.
6. Refer to the following table to interpret the LED indicators on the battery charger.

Left Light	Right Light	Indicates:
Off	Red	Charger is on; no battery pack inserted
Red	Red	Battery pack is charging
Green	Red	Battery pack is charged
Orange	Red	Battery pack is too warm
Red Blinking	Red	Replace the battery pack

Removing the Battery Pack

Press the battery latch on the tool to release the battery pack and slide the battery pack out of the tool (Figure 6).

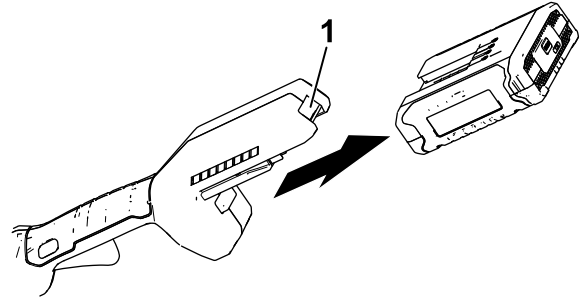


Figure 6
(Trimmer shown)

g192774

1. Battery latch

Maintenance

Maintenance and servicing are not required under normal conditions.

When you clean the surface of the equipment, wipe it off only with a dry cloth.

Do not disassemble the equipment; if it is damaged, contact the supplier or manufacturer.

Storage

Important: Store the tool, battery pack, and battery charger only in temperatures that are between -20°C (-4°F) and 70°C (158°F).

Important: Unplug the charger if you store it below -20°C (-4°F) or above 70°C (158°F).

Important: If you are storing the tool for a prolonged period of time, remove the battery pack. When ready to use again, charge the battery pack until the left indicator light turns green on the charger or all 4 LED indicators turn blue on the battery.

- Disconnect the product from the power supply (i.e., remove the plug from the power supply or the battery pack) and check for damage after use.
- Clean all foreign material from the product.
- When not in use, store the tool, battery pack, and battery charger out of the reach of children.
- Keep the tool, battery pack, and battery charger away from corrosive agents, such as garden chemicals and de-icing salts.
- Store the tool, battery pack, and battery charger in a clean, dry area.

Preparing the Battery Pack for Recycling

Important: Upon removal, cover the terminals of the battery pack with heavy-duty adhesive tape. Do not attempt to destroy or disassemble the battery pack or remove any of its components. Recycle or properly dispose of lithium-ion battery packs at a battery recycling facility.

Troubleshooting

Problem	Possible Cause	Corrective Action
The flashlight does not turn on (battery pack Model 88541 only).	<ol style="list-style-type: none"> 1. The battery pack is on the charger. 2. The battery pack is over or under the appropriate temperature range. 3. The battery pack voltage is low. 	<ol style="list-style-type: none"> 1. Remove the battery pack from the charger. 2. Move the battery pack to a place where it is dry and the temperature is between 0°C (32°F) and 50°C (122°F). 3. Place the battery pack on the charger.
The USB port does not work (battery pack Model 88541 only).	<ol style="list-style-type: none"> 1. The battery pack is on the charger. 2. The battery pack is over or under the appropriate temperature range. 3. The battery pack voltage is low. 	<ol style="list-style-type: none"> 1. Remove the battery pack from the charger. 2. Move the battery pack to a place where it is dry and the temperature is between 0°C (32°F) and 50°C (122°F). 3. Place the battery pack on the charger.
The battery pack loses charge quickly.	<ol style="list-style-type: none"> 1. The battery pack is over or under the appropriate temperature range. 	<ol style="list-style-type: none"> 1. Move the battery pack to a place where it is dry and the temperature is between 0°C (32°F) and 50°C (122°F).
The battery charger is not working.	<ol style="list-style-type: none"> 1. The battery charger is over or under the appropriate temperature range. 2. The outlet that the battery charger is plugged into does not have power. 	<ol style="list-style-type: none"> 1. Unplug the battery charger and move it to a place where it is dry and the temperature is between 0°C (32°F) and 50°C (122°F). 2. Contact your licensed electrician to repair the outlet.
The tool does not run or run continuously.	<ol style="list-style-type: none"> 1. There is moisture on the leads of the battery pack. 2. The battery is not fully installed into the tool. 	<ol style="list-style-type: none"> 1. Allow the battery pack to dry or wipe it dry. 2. Remove and then replace the battery into the tool making sure that it is fully installed and latched.
The battery pack shows only 3 LED indicators after only a few seconds of using a fully charged battery.	<ol style="list-style-type: none"> 1. This is a normal occurrence. 	<ol style="list-style-type: none"> 1. Stop the tool and press battery-charge-indicator button or the remove the battery from the tool to display the actual battery charge.
All 4 LED indicators are blinking on the battery pack after you press the battery-charge-indicator button on the battery pack and the current charge displays (when the battery pack is not in use).	<ol style="list-style-type: none"> 1. The battery pack is over or under the appropriate temperature range. 	<ol style="list-style-type: none"> 1. Move the battery pack to a place where it is dry and the temperature is between 0°C (32°F) and 50°C (122°F).
All 4 LED indicators are blinking on the battery pack after releasing the trigger (when the battery pack is in use).	<ol style="list-style-type: none"> 1. The battery pack is over or under the appropriate temperature range. 	<ol style="list-style-type: none"> 1. Move the battery pack to a place where it is dry and the temperature is between 0°C (32°F) and 50°C (122°F).
2 LED indicators are blinking on the battery pack after you press the battery-charge-indicator button on the battery pack and the current charge displays (when the battery pack is not in use).	<ol style="list-style-type: none"> 1. There is a difference in voltage between cells in the battery pack. 	<ol style="list-style-type: none"> 1. Place the battery on the charger until it is fully charged.
2 LED indicators are blinking on the battery pack after releasing the trigger (when the battery pack is in use).	<ol style="list-style-type: none"> 1. There is a difference in voltage between cells in the battery pack. 	<ol style="list-style-type: none"> 1. Place the battery on the charger until it is fully charged.

Notes:

The Toro Promise - Electric Products

A Three-Year¹ Full Warranty for Residential Use for the United States and Canada

The Toro Company and its affiliate, Toro Warranty Company, pursuant to an agreement between them, jointly warrant this product for three years against defects in material or workmanship when used for normal residential purposes.*

¹ Does not include the battery. 1 Year Battery Warranty for Residential Use.

If you think your Toro Product contains a defect in materials or workmanship, if you have questions or problems, and before returning this product call toll free:

Trimmers:

1-800-237-2654 (US)

1-800-248-3258 (Canada)

Chainsaw:

1-855-340-7689 (US and Canada)

Blowers:

1-888-367-6631 (US)

1-888-430-1687 (Canada)

Snowthrowers:

1-800-808-2963 (US)

1-800-808-3072 (Canada)

To receive a replacement or repair, at our option, return the complete unit to the seller. United States and Canada customers may return their product, with proof of purchase, to any Authorized Service Dealer. United States customers may also return their product, with proof of purchase, postage prepaid, to the Toro Service Center, 5500 SE Delaware, Ankeny, IA 50021.

This warranty covers product defects only. **Neither The Toro Company nor Toro Warranty Company is liable for indirect, incidental, or consequential damages in connection with the use of the Toro Products covered by this warranty, including any cost or expense of providing substitute equipment or service during reasonable periods of malfunction or non-use pending completion of repairs under this warranty. Some states do not allow exclusions of incidental or consequential damages, so the above exclusions may not apply to you.** This warranty gives you specific legal rights, and you may also have other rights which vary from state to state.

Countries Other than the United States and Canada

This warranty is not valid in Mexico. Customers who have purchased Toro products exported from the United States or Canada should contact their Toro Distributor (Dealer) to obtain guarantee policies for your country, province, or state. If for any reason you are dissatisfied with your Distributor's service or have difficulty obtaining guarantee information, contact the Toro importer. If all other remedies fail, you may contact us at Toro Warranty Company.

Australian Consumer Law

Australian customers will find details relating to the Australian Consumer Law either inside the box or at your local Toro Dealer.

* Residential use means use of the product on the same lot as your home.

Part Number 374-0262 Rev. G