

SETUP & OPERATION MANUAL

12 Inch Single Bevel Sliding Compound Miter Saw

FEATURES

- Precision cuts with laser alignment system
- Comfortable horizontal D-Handle
- Bevel cuts up to 45° left
- Miter cuts up to 45° left and right
- 12 in. saw blade with carbide-tipped teeth
- Powerful 15 A motor

With:

- Adjustable cut-depth for dados
- Shaft lock for trouble-free blade changes
- Easy-access motor brushes

Includes:

- Dust bag
- Hold down clamp
- Table side extensions



SPECIFICATIONS

- 120 V ~ 60 Hz 15 A motor
- No-load speed: 4200 rpm
- Maximum cut capacity:
12-1/4" x 4"
(311 x 101.6 mm)

Model # MS3008

General International Power Products, LLC
6243 Industrial Parkway
Whitehouse, OH 43571 USA
website: www.gipowerproducts.com



THANK YOU

for choosing this General International machine. This tool has been carefully tested and inspected before shipment and if properly used and maintained, will provide you with years of reliable service. To ensure optimum performance and trouble-free operation, and to get the most from your investment, please take the time to read this manual before assembling, installing and operating the unit.

The manual's purpose is to familiarize you with the safe operation, basic function, and features of this tool as well as the set-up, maintenance and identification of its parts and components. This manual is not intended as a substitute for formal woodworking instruction, nor to offer the user instruction in the craft of woodworking. If you are not sure about the safety of performing a certain operation or procedure, do not proceed until you can confirm, from knowledgeable and qualified sources, that it is safe to do so. Once you've read through these instructions, keep this manual handy for future reference.

GENERAL® INTERNATIONAL WARRANTY

All component parts of General® International products are carefully inspected during all stages of production and each unit is thoroughly inspected upon completion of assembly.

2-YEAR LIMITED WARRANTY

All products are warranted for a period of 2 years (24 months) from the date of purchase. General® International agrees to repair or replace any part or component which upon examination, proves to be defective in either workmanship or material to the original purchaser during this 2-year warranty period, subject to the "conditions and exceptions" as listed below. Repairs made without the written consent of General International will void the warranty.

DISCLAIMER

The information and specifications in this manual pertain to the unit as it was supplied from the factory at the time of printing. Because we are committed to making constant improvements, General International reserves the right to make changes to components, parts or features of this unit as deemed necessary, without prior notice and without obligation to install any such changes on previously delivered units. Reasonable care is taken at the factory to ensure that the specifications and information in this manual corresponds with that of the unit with which it was supplied. However, special orders and "after factory" modifications may render some or all information in this manual inapplicable to your machine. Further, as several generations of this tool model and several versions of this manual may be in circulation, if you own an earlier or later version of this unit, this manual may not depict your machine exactly. If you have any doubts or questions contact your retailer or our support line with the model and serial number of your unit for clarification.

TO FILE A CLAIM

To file a claim under our Standard 2-year Limited Warranty, all defective parts, components or machinery must be returned freight or postage prepaid to General® International, or to a nearby distributor, repair center or other location designated by General® International. For further details contact our service department: **USA toll-free (844) 877-5234 or (419) 877-5234 / Canada toll-free (888) 949-1161 or (604) 420-2299** or through our website: **www.gipowerproducts.com**.

Along with the return of the product being claimed for warranty, a copy of the original proof of purchase and a "letter of claim" must be included (a warranty claim form can also be used and can be obtained, upon request, from General® International or an authorized distributor) clearly stating the model and serial number of the unit (if applicable) and including an explanation of the complaint or presumed defect in material or workmanship.

CONDITIONS AND EXCEPTIONS

This coverage is extended to the original purchaser only. Prior warranty registration is not required but documented proof of purchase, i.e. a copy of original sales invoice or receipt showing the date and location of the purchase as well as the purchase price paid, must be provided at the time of claim.

Warranty does not include failures, breakage or defects deemed after inspection by General® International to have been directly or indirectly caused by or resulting from; improper use, or lack of or improper maintenance, misuse or abuse, negligence, accidents, damage in handling or transport, or normal wear and tear of any generally considered consumable parts or components.

Repairs made without the written consent of General® International will void all warranty.

READ ALL INSTRUCTIONS BEFORE OPERATING

SAVE THESE INSTRUCTIONS

Before attempting to operate your new tool, please read these instructions thoroughly. You will need these instructions for the safety warnings, precautions, assembly, operation, maintenance procedures, parts list and diagrams. Keep your invoice with these instructions. Write the invoice number on the inside of front cover. Keep the instructions and invoice in a safe, dry place for future reference.

THE WARNINGS, CAUTIONS AND INSTRUCTIONS discussed in this instruction manual cannot cover all possible conditions or situations that could occur. It must be understood by the operator that common sense and caution are factors which cannot be built into this product, but must be supplied by the operator.



IMPORTANT SAFETY INSTRUCTIONS

The purpose of safety symbols is to attract your attention to possible hazards. The safety symbols, and the explanations with them, deserve your careful attention and understanding. The safety warnings do not, by themselves, eliminate any danger. The instructions or warnings they give are not substitutes for proper accident prevention measures.

DANGER! Indicates an imminently hazardous situation which, if not avoided, will result in serious injury or death.



WARNING! Indicates an imminently hazardous situation which, if not avoided, could result in serious injury or death.



CAUTION: Indicates an imminently risky situation which, if not avoided, could result in minor injuries or slight injury. It may also be used to notify the user to remain alert regarding unsafe practises which may cause property damage.



TABLE OF CONTENTS

WARRANTY	2	MODES OF USE	12
WARNINGS AND CAUTIONS	4	CUTTING MOLDING	14
SAFETY PRECAUTIONS FOR COMPOUND MITER SAW	5	MAINTENANCE	17
LASER SAFETY	6	MOUNTING AND REMOVING THE BLADE	17
FUNCTIONAL DESCRIPTION	7	REPLACING THE CARBON BRUSHES ..	18
SPECIFICATIONS	8	CALIBRATION OF CUT	18
ASSEMBLY	9	PREVENTIVE MAINTENANCE	19
OPERATING PROCEDURES	10	TROUBLESHOOTING GUIDE	20
POWER SOURCE CONNECTION	10	PARTS LIST	22
USING YOUR SAW	11	EXPLODED DRAWING	24
START UP	11		

WARNINGS AND CAUTIONS



- 1. KEEP WORK AREA CLEAN.**
Cluttered areas invite injuries.
- 2. CONSIDER WORK AREA ENVIRONMENT.**
Don't use bench tools in damp, wet, or poorly lit locations. Don't expose your tool to rain. Keep the work area well lit. Don't use tools in the presence of flammable gases or liquids.
- 3. KEEP CHILDREN AND BY STANDERS AWAY.**
All children should be kept away from the work area. Don't let them handle machines, tools or extension cords. Visitors can be a distraction and are difficult to protect from injury.
- 4. GROUNDED TOOLS**
must be plugged into an outlet that itself is properly installed and grounded. Grounding provides a low-resistance path to carry electricity to ground away from the operator, should the tool malfunction electrically. Do not remove the grounding prong from the plug or alter the plug in any way. If in doubt as to whether the outlet is properly grounded according to code, check with a qualified electrician.
- 5. GUARD AGAINST ELECTRIC SHOCK.**
Prevent body contact with grounded surfaces: pipes, radiators, ranges, and refrigerator enclosures. When your body is grounded the risk of electric shock increases. When working wherever "live" electrical wires may be encountered, try to ascertain whether there is a danger of shock. Even so, **DO NOT TOUCH ANY METAL PARTS OF THE TOOL** while using it. Hold the tool only by the plastic grip to prevent electric shock if you contact a live wire.
- 6. DO NOT ABUSE THE CORD.**
Never carry your bench tool by the cord or pull on the cord to unplug it. Protect the cord from potential sources of damage: heat, oil & solvents, sharp edges, or moving parts. Replace damaged cords immediately.
- 7. WHEN WORKING OUTDOORS,**
USE AN OUTDOOR-RATED EXTENSION CORD. An extension cord rated for outdoor use must be marked "W-A" or "W".
- 8. DO NOT EXPOSE ELECTRICAL BENCH TOOLS TO MOISTURE.**
Rain or wet conditions can cause water to enter the tool and lead to electric shock.
- 9. USE PROPER EXTENSION CORD.**
Make sure your extension cord is in good condition. When using an extension cord, be sure to use one heavy enough to carry the current your product will draw. An undersized cord will cause a drop in line voltage resulting in loss of power and overheating. Table 1 shows the correct size to use depending on the cord length and name plate amperage rating. If in doubt, use the next heavier gauge. The smaller the gauge number, the heavier the cord.

Total Extension Cord Length								
Amp Rating	Feet	Meters	Feet	Meters	Feet	Meters	Feet	Meters
	25	8	50	15	100	30	125	40
3 - 10 amp	18 ga.		16 ga.		14 ga.		14 ga.	
10.1 - 12 amp	16 ga.		16 ga.		14 ga.		14 ga.	
12.1 - 16 amp	14 ga.		12 ga.		Not Recommended			
Use only UL or CSA approved extension cords								

- 10. STORE IDLE EQUIPMENT.**
Store equipment in a dry area to inhibit rust. Equipment also should be in a high location or locked up to keep out of reach of children.
- 11. DON'T FORCE THE TOOL.**
It will do the job better and more safely at the rate for which it was intended.
- 12. USE THE RIGHT TOOL.**
Don't force a small tool or attachment to do the work of a larger industrial tool. Don't use a tool for a purpose for which it was not intended.

13. DRESS PROPERLY.

Don't wear loose clothing or jewelry; they can be caught in moving parts. Protective, non-electrically conductive gloves and non-skid footwear are recommended when working. Wear protective hair covering to contain long hair and keep it from harm.

14. USE EYE PROTECTION.

Use a full-face mask if the work you're doing produces metal filings, dust or wood chips. Goggles are acceptable in other situations. Wear a clean dust mask if the work involves creating a lot of fine or coarse dust.

15. SECURE WORK.

Use clamps or a vise to hold the work. It's safer than using your hands and it frees both hands to operate the tool.

16. DON'T OVERREACH.

Keep proper footing and balance at all times. Do not reach over or across machines that are running.

17. MAINTAIN TOOLS WITH CARE.

Keep tools sharp and clean for better and safer performance. Follow instructions for lubricating and safe performance. Follow instructions for lubricating and changing accessories. Keep handles dry, clean and free from oil and grease.

18. AVOID UNINTENTIONAL STARTING.

Be sure the switch is in the OFF position before plugging in.

19. ALWAYS CHECK AND MAKE SURE TO REMOVE

ANY ADJUSTING KEYS OR WRENCHES before turning the tool on. Left attached, these parts can fly off a rotating part and result in personal injury.

20. DO NOT USE THE TOOL

IF IT CANNOT BE SWITCHED ON OR OFF. Have your tool repaired before using it.

21. DISCONNECT THE PLUG FROM POWER BEFORE

MAKING ANY ADJUSTMENTS. Changing attachments or accessories can be dangerous if the tool could accidentally start.

22. STAY ALERT.

Watch what you are doing & use common sense. Don't operate any tool when you are tired.

23. CHECK FOR DAMAGED PARTS.

Before using this tool, any part that is damaged should be carefully checked to determine that it will operate properly and perform its intended function. Check for alignment of moving parts, binding of moving parts, breakage of parts, mountings, and other conditions that may affect its operation. Inspect screws and tighten any ones that are loose. Any part that is damaged should be properly repaired or replaced by an authorized service center unless otherwise indicated elsewhere in the instruction manual. Have defective switches replaced by an authorized service center. Don't use the tool if switch does not turn it on and off properly.

24. REPLACEMENT PARTS.

When servicing, use only identical replacement parts.

25. SERVICE AND REPAIRS

should be made by qualified repair technicians at an authorized repair center. Improperly repaired tools could cause serious shock or injury

SAFETY PRECAUTIONS FOR COMPOUND MITER SAW

- **WOOD ONLY.** This tool is designed for woodcutting only.
- **DAMAGED OR WARPED SAW BLADES SHOULD NOT BE USED.** They are out of balance and could cause further damage to the saw and possible personal injury.
- **USE ONLY WITH GUARD IN PLACE.** The guard protects you, the operator, from cutting debris as well as from broken pieces of the blade if it breaks in use.

- **REPLACE THE KERF PLATE INSERTS WHEN WORN.** Excessive tear-out increases the likelihood of injury from flying debris. When setting the saw at a new angle, check that due to some mis-alignment, the blade does not cut into the table insert, rear fence, or another part of your saw.
- **CONNECT YOUR MITER SAW TO A DUST COLLECTING DEVICE IF POSSIBLE.** If not, use the dust bag that comes with the tool and empty it regularly.
- **USE A SAWBLADE SUITED TO THE CUTTING JOB AND MATERIAL TO BE CUT.**
- **ALWAYS USE TABLE EXTENSIONS AND CLAMPS TO SUPPORT THE MATERIAL WHEN SAWING LONG WORK PIECES.**
- **DON'T START THE SAW WITH THE BLADE IN CONTACT WITH ANY SURFACE.** The saw head may bounce up or kick back violently and cause injury.
- **IF MAKING A CUT USING ONE HAND TO HOLD THE SAW,** ensure the free hand is clear of the cutting area.

LASER SAFETY

To reduce the risk of injury:

1. Do not stare directly at the laser beam. Eye damage may occur if you deliberately stare into the beam.
2. The laser light beam used in this system is Class II with maximum 1 mW and 650 nm wavelengths. **AVOID DIRECT EYE EXPOSURE.**
3. The laser must be used and maintained in accordance with the manufacturer's instructions:
 - Never aim the beam at any person or an object other than the workpiece.
 - Do not project the laser beam into the eyes of others.
 - Always ensure the laser beam is aimed at a workpiece without reflective surfaces as the laser beam could be projected into your eyes or the eyes of others.

Use of controls or adjustments or performance of procedures other than those specified herein may result in hazardous radiation exposure.

CALIFORNIA PROPOSITION 65



WARNING

CALIFORNIA PROPOSITION 65

This product can expose you to chemicals including DEHP, which is known to the State of California to cause cancer and birth defects or other reproductive harm. For more information go to www.P65Warnings.ca.gov.

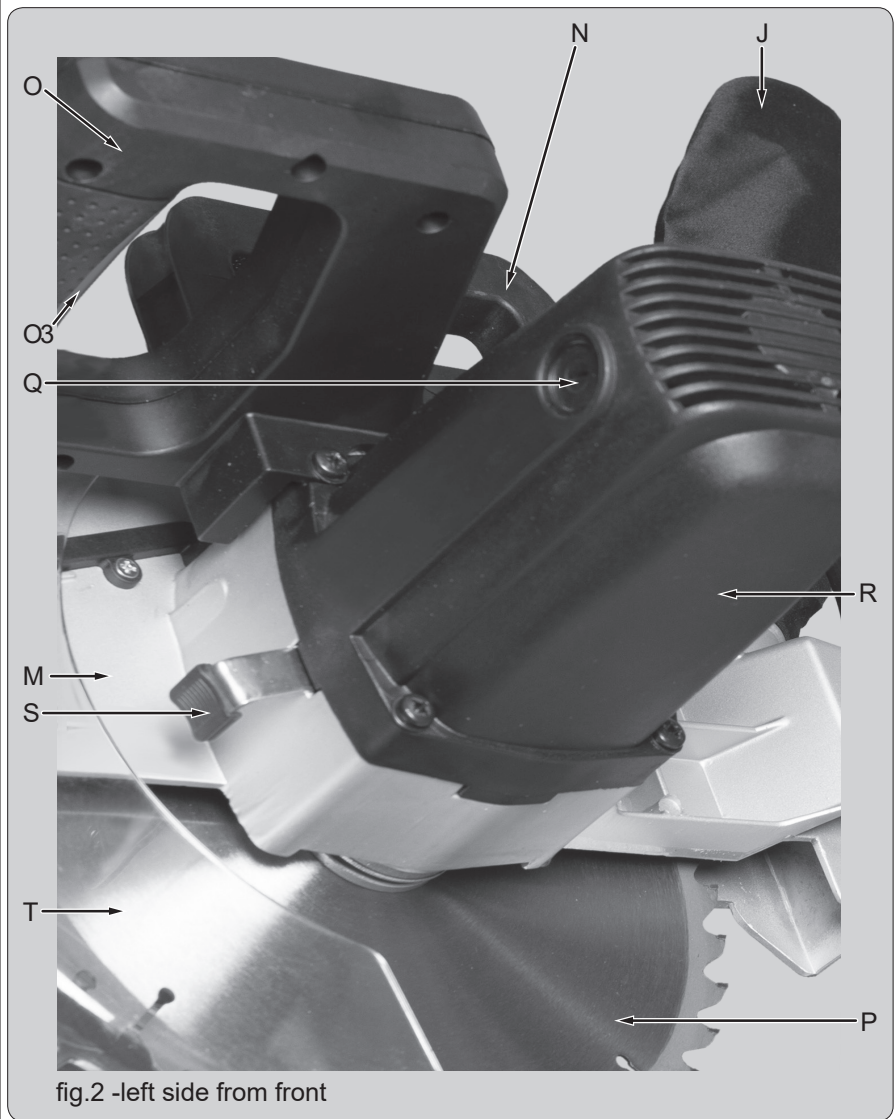
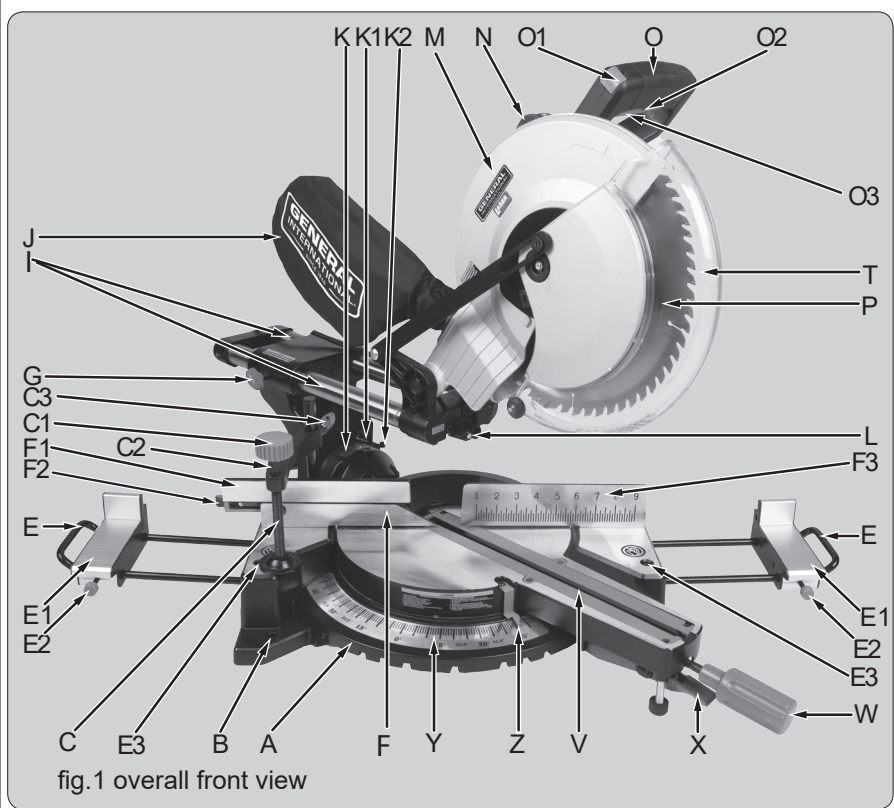
WEAR PROTECTIVE GEAR.

Some dust created by power sanding, sawing, grinding, drilling, and other construction activities contain chemicals known to cause cancer, birth defects or other reproductive harm. Some examples of these chemicals are:

- Lead from lead-based paints
- Crystalline silica from bricks and cement and other masonry products
- Arsenic and chromium from chemically-treated lumber

Your risk from these exposures varies, depending on how often you do this type of work. To reduce your exposure to these chemicals, work in a well ventilated area, and work with approved safety equipment, such as those dust masks that are specially designed to filter out microscopic particles.

FUNCTIONAL DESCRIPTION



A	Base
B	Mounting hole
C	Hold down clamp
C1	Clamp fine adjustment knob
C2	Clamp arm
C3	Clamp coarse adjustment knob
D	Depth of cut/dado knob
E	Side extension/carrying handle
E1	Extension table with fence
E2	Extension table slide lock knob
E3	Extension retention screw
F	Fence
F1	Sliding fence
F2	Sliding fence lock tab
F3	Right fence
G	Slide carriage lock knob
H	Bevel lock lever
I	Slide rail
J	Dust bag
K	Bevel scale
K1	Bevel scale pointer
K2	Bevel stop adjustment
L	Laser guide aperture
M	Upper (stationary) blade guard
N	Top carrying handle
O	Cutting handle
O1	Safety interlock switch
O2	Switch lockout hole
O3	On/off trigger switch
P	12" saw blade
Q	Motor brush holder cap
R	Motor housing
S	Arbor lock
T	Lower (retracting) blade guard
U	Cutting head lock button
V	Table insert
W	Miter setting handle
X	Miter angle lock lever
Y	Miter scale
Z	Miter scale pointer

FUNCTIONAL DESCRIPTION

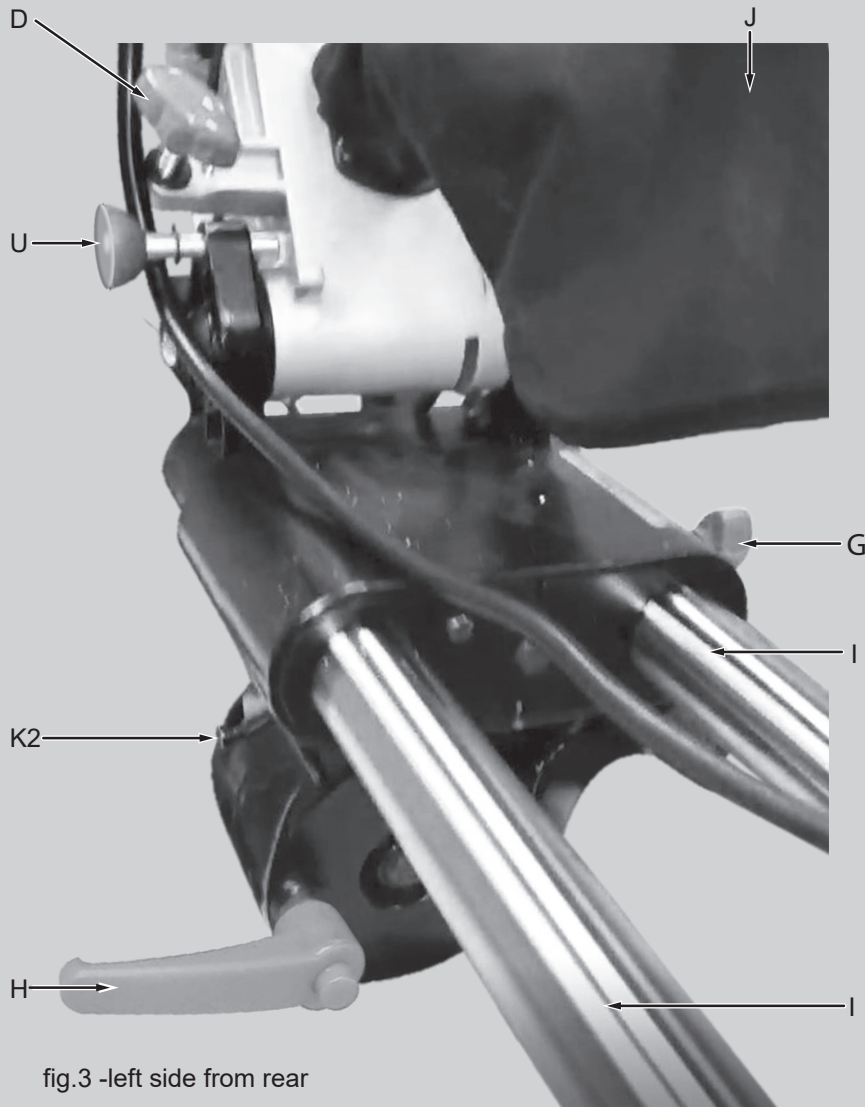


fig.3 -left side from rear

A	Base
B	Mounting hole
C	Hold down clamp
C1	Clamp fine adjustment knob
C2	Clamp arm
C3	Clamp coarse adjustment knob
D	Depth of cut/dado knob
E	Side extension/carrying handle
E1	Extension table
E2	Extension table slide lock knob
E3	Extension retention screw
F	Fence
F1	Sliding fence
F2	Sliding fence lock tab
F3	Right fence
G	Carriage slide lock knob
H	Bevel lock lever
I	Slide rail
J	Dust bag
K	Bevel scale
K1	Bevel scale pointer
K2	Bevel stop adjustment
L	Laser guide aperture
M	Upper (stationary) blade guard
N	Top carrying handle
O	Cutting handle
O1	Safety interlock switch
O2	Switch lockout hole
O3	On/off trigger switch
P	12" saw blade
Q	Motor brush holder cap
R	Motor housing
S	Arbor lock
T	Lower (retracting) blade guard
U	Cutting head lock knob
V	Table insert
W	Miter setting handle
X	Miter angle lock lever
Y	Miter scale
Z	Miter scale pointer

SPECIFICATIONS

Power source	120 V AC, 60 Hz, 15 Amp
Speed	4200 RPM (no load)
Electric brake	
Blade Diameter	12 in. x 5/8 in. arbor (311 x 15.88 mm) -blade reduced from 1 in. (25.4 mm) bore
Miter Detent Stops	0°, 15°, 22.5°, 31.6°, 45° Right & Left
Bevel Positive Stops	0°, 45° Left
Cutting Capacity	
Crosscut	4 in. x 12-1/4 in. (101.6 x 311 mm)
Miter 45° Right & Left	4 in. x 8-3/4 in. (101.6 x 222.2 mm)
Bevel 45° Left	2-1/2 in. x 12-1/4 in. (63.5 x 311 mm)
45° Miter and 45° Bevel Left	2-1/2 in. x 8-3/4 in. (63.5 x 222.2 mm)
Crown Molding Nested	4-1/8 in. (104.8 mm)
Base Molding Against Fence	3-1/2 in. (88.9 mm)

ASSEMBLY

REMOVE ALL THE PARTS FROM THE BOX

Your Sliding Compound Miter Saw is fully assembled in the carton with the exception of some small accessories.

Check to ensure everything you need is included:

- 2 extensions- one for each side
- Hold-down clamp assembly
- Dust bag
- 2 AA batteries.

WARNING! Always disconnect the tool from power source before making any adjustments, storing, servicing, or changing accessories. Such preventive safety measures reduce the risk of starting the tool accidentally.



- Unlock the saw from its various storage and shipping positions.
- To disengage the cutting head from its shipping and storage position, push down lightly on it and pull out the spring-loaded cutting head lock knob on the right side shown at U, fig.3. Turn it a quarter turn until the pin in the shaft rests in the small groove to hold the button out.
- Ensure the **miter setting handle**, table lateral extensions, hold-down clamp, and dust bag are properly attached.

MITER SETTING HANDLE

Insert the miter setting handle (W, fig.4) into the miter table, screwing it in clockwise until tight.

- The handle can be loosened and used as a lever to move the miter table to any angle from 45° left to 45° right and then turned clockwise to tighten it at any desired angle.
- The miter angle lock lever must be disengaged while moving it from side to side to prevent the angle from stopping at the detent points.

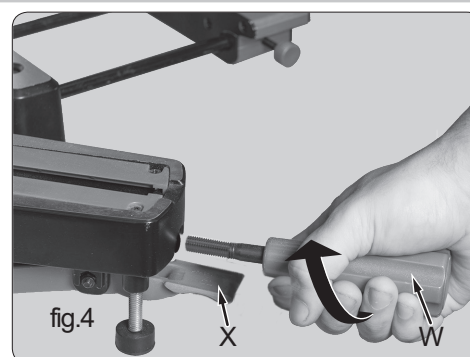


TABLE EXTENSIONS

Two side extension/carrying handles (D, fig.1) are included with your saw to help support longer pieces of material.

- Each fits into two holes on the left or right side of the saw table and is fastened with a set screw.
- The two extensions have adjustable extension tables fitted on them and can be slid into the saw base for more compact storage or can be extended to widen the supported area.

1. Install the side extension/carrying handles (D, fig.1), sliding each one, with the end curved and table upward, into the double holes at the left and right sides of the table. The extensions must be fastened in place by tightening the extension retention set screw (E2, fig.1) recessed into the top of the table bed.

2. Attach the rubber foot pads onto the feet of the saw base.

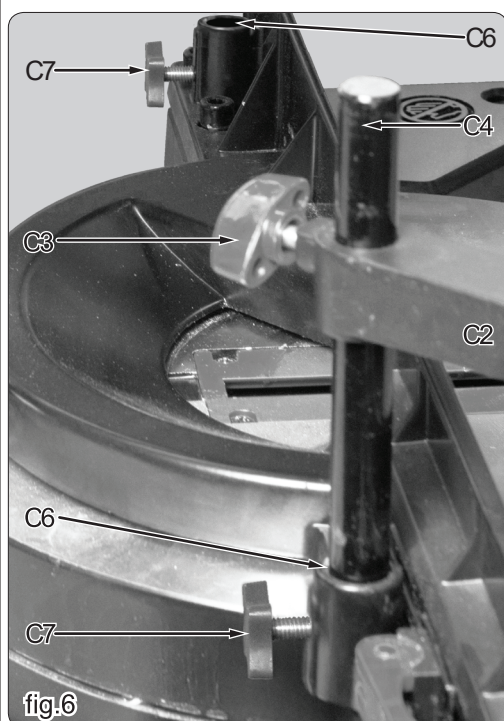


fig.6

HOLD-DOWN CLAMP ASSEMBLY:

1. The hold down clamp (C, fig.1) included can be installed in either of the two holes positioned just behind the fence at both the left and right ends (C6, fig.5). Slide the shaft (C4, fig.5) into the hole and then tighten the hold-down clamp retention screw (C7, fig.5). Grooves around the shaft allow the screw to hold



fig.5

the shaft from moving vertically while allowing it to rotate for easy clamp positioning.

- You can adjust the height and position of the clamping arm (C2, fig.5 & 6) according to the thickness and shape of the workpiece with the knob at the back top.
- Place the workpiece on the table tightly against the fence and slide it to the desired cutting position.
- Tighten the hold-down clamp fine height adjustment knob (C1, fig.5) to secure the workpiece.

LASER

1. Locate the red laser switch (L1, fig.7) on the **battery compartment at the right side of the cutting head assembly, behind the motor housing.**
2. Press the retention tab (L2, fig.7) and lift the switch/cover off the laser battery compartment.
3. Insert the 2 AA batteries into the compartment.
4. Re-install the switch/cover.

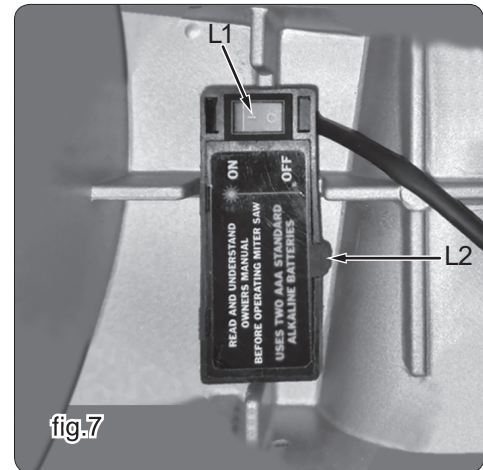


fig.7

SAWDUST COLLECTION

You can operate this machine more safely and conveniently with a dust collector.

1. Connect a dust collection system hose (not included) to the dust collection port nozzle on the back of the metal guard (J1, fig.8).
2. If a dust collector is not available or convenient, use the included dust bag and fit it to the dust collection port at the back of the guard.
3. Attach the dust bag (J, fig.1) over the dust port by squeezing the springs in the bag's opening.
4. Whenever the dustbag is half full, remove it and zip open the bag at the bottom. Clean out the sawdust completely.

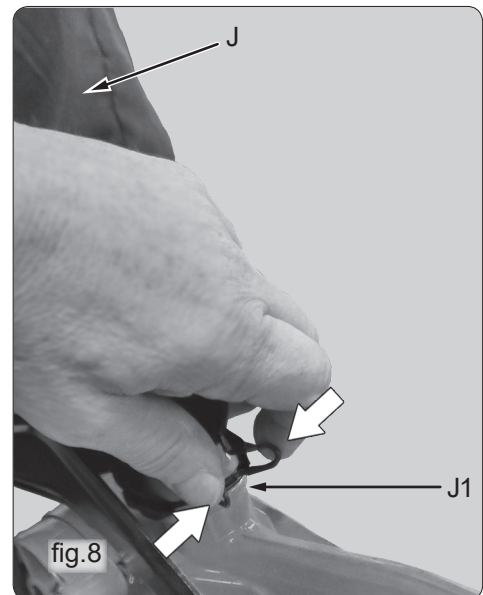


fig.8

- Be sure all screws are fastened, and all adjusting keys and wrenches are removed.

OPERATING PROCEDURES

POWER SOURCE CONNECTION

POWER REQUIREMENTS

This tool is designed to operate on a properly grounded 120 volt, 60 Hz, single phase alternating current (AC) power source fused with a 15 amp time delayed circuit breaker. It is recommended that a qualified electrician verify the ACTUAL VOLTAGE at the receptacle into which the tool will be plugged and confirm that the receptacle is properly grounded. The use of the proper circuit size can eliminate nuisance circuit breaker tripping when using your tool.

To reduce the risk of electrical shock, this saw has a polarized plug (one blade is wider than the other- fig.9). This plug will fit into a polarized outlet only one way. If the plug does not fit fully in the outlet, reverse the plug. If it still does not fit, contact a qualified electrician to install the proper outlet. Do not change the plug in any way.

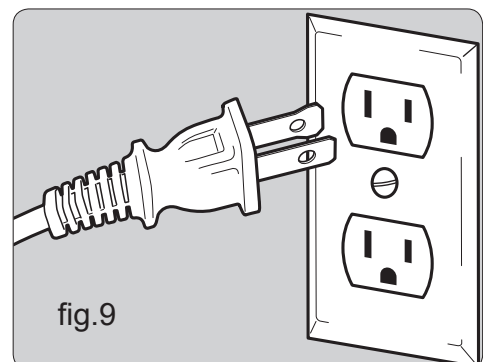


fig.9

CAUTION: DO NOT OPERATE THIS TOOL if the ACTUAL power source voltage is less than 105 volts AC or greater than 132 volts AC. Contact a qualified technician if this problem exists. Improper performance, and/or, damage to the tool will result if operated on inadequate, or excessive power.



CONNECT TO POWER SOURCE

Consult a qualified electrician for proper installation of receptacle at the source of power. This tool must be grounded while in use to protect the operator from electrical shock. If you are not sure if your outlet is properly grounded, have it checked by a qualified electrician. Make sure the tool is turned OFF when connecting the power cord to a properly grounded 120 Volts, 60 Hz, single phase, 15 amp power source.

USING YOUR SAW

After unpacking, reading the instructions, attaching the machine to the workbench, and checking that all attachments are correctly installed, you can use your saw.

WARNING: Be sure to wear appropriate protective equipment. For your safety, remove chips, small pieces, etc. from the table top before operation.



START UP

1. Connect the saw to power.
2. While pressing downward on the **top carrying handle** (1, fig.10), retract the saw head lock knob (U #2, fig.10) and turn it 1/4 turn (3, fig.10) to hold the locking pin in its retracted position. Release pressure on the handle, allowing the saw head to move to the raised position, assisted by the spring.
3. Turn on the laser cutting guide, using the switch **on the battery compartment** (L1, fig.5).
4. Press the **safety interlock switch** (O1, fig.11) and squeeze the **On/off trigger switch** (O3, fig.11) in the handle to start the saw with the cutting head in the raised position and the blade fully enclosed in the retractable blade guard (Q, fig.1 & 2).
5. Allow the motor to bring the sawblade up to full speed.
6. To begin cutting, push down on the cutting head using the horizontal cutting handle (O2, fig.11). As you lower it, the transparent **lower (retracting) blade guard** will retract.



WARNING: The workpiece must be placed and held firmly against the fence and table.



7. After cutting, allow the head to come back up. The blade guard closes automatically.
8. The saw will stop when you release the trigger switch in the handle.
9. Turn the laser off when it is not in use, to conserve the batteries.
10. For storage, press the saw head downward and turn the saw head lock knob 1/4 turn and allow it to extend and hold the saw head down.

MODES OF USE

Use of the laser cut guide in any of the following procedures is useful, but optional.

CHOP CUT

A chop (or cross) cut is the most basic cut. When the blade from the miter saw comes down it will be at exactly 90 degrees to both the table surface and fence, so you'll be left with a perfectly straight cut.

1. Lock the head in the upright, 0° bevel position using the slip-lock saw bevel locking lever (H, fig.3).
2. Using the miter angle lock lever (X, fig.1), lock the table rotation at 0° miter.
3. Switch the machine on with saw head raised and wait until the saw blade reaches its maximum speed.
4. Press the handle downwards slowly. Allow the blade to cut through the material. Do not force the tool.
5. After you have finished cutting, release the trigger button and wait until the saw blade stops completely, then raise the handle.

This is a good setting for simple crosscuts.

MITER CUT

A miter cut is one in which you're cutting across the width of the wood, so the blade will still drop down vertically, perpendicular to the table surface, but you'll be left with an angle other than 90 degrees to the board edge (and fence).

Lock the head in the upright, 0° bevel position using the slip-lock bevel adjustment lever (H, fig.3).

6. The miter angle is set in two ways:

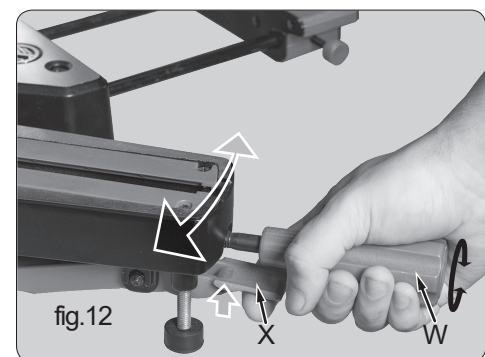
- A. **THE MITER** angle lock lever (X, fig.12) holds the miter angle at one of 9 positive stops (0°, 15°, 22.5°, 30° & 45° left and right) set into the table base.
 - B. **THE MITER** angle lock lever (W, fig.12) allows the selection of any point between these stops.
3. Pull up on the miter angle lock lever (X, fig.12) to release it- normally with your index finger, and using the miter setting handle (W, fig.1 & 2), rotate the table up to 45° to the left or right. The table will encounter positive stops at 0°, 15°, 22.5°, 30° & 45°.
 4. Use either the miter angle lock lever (X, fig.12) at the positive stops or the miter setting handle (W, fig.12) at any angle, screwing it tight to lock the table at the desired position, especially at those angles between the indexed positive stops.
 5. Switch the machine on and wait until the saw blade reaches its maximum speed.
 6. Press the handle downwards slowly. Allow the blade to cut through the material. Do not force the tool.
 7. After you have finished cutting, release the trigger switch and wait until the saw blade stops completely, then raise the handle.

This is a good setting for simple angle cuts.

COMPOUND CUT

A compound cut combines both the miter and bevel cut together, so you'll be left with a cut that combines an angle in each of two different planes.

1. Loosen the miter angle lock lever (X, fig.12), and using the miter setting handle (W, fig.10), rotate the table up to 45° to the left or right. The table will encounter positive stops at 0°, 15°, 22.5°, 30° & 45°.
2. Use either the miter angle lock lever at the positive stops or the miter setting handle, screwing it tight to lock the table at the desired position, especially at those angles between the indexed positive stops.

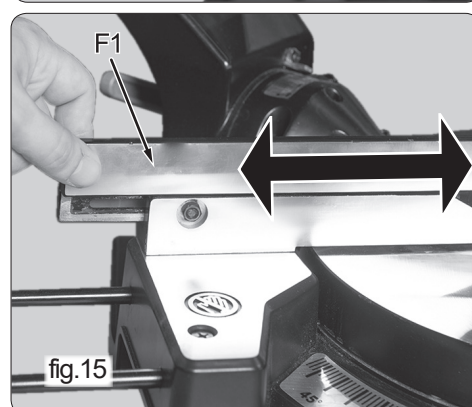
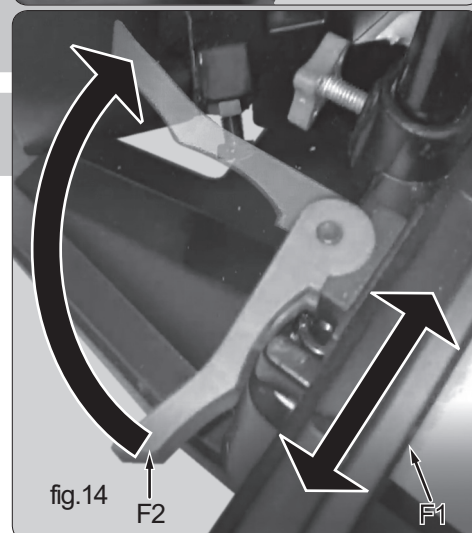
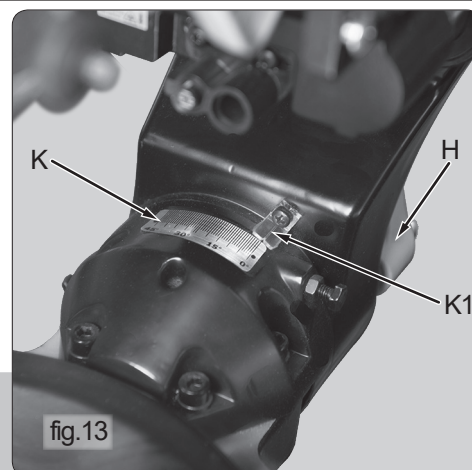


3. Unlock the cutting head from the upright, 0 degree bevel position using the slip-lock bevel adjustment lever (H, fig.3 & 13) and angle it to any desired position from 0° to 45° left, according to the bevel scale (K, fig.13), then lock it in place.
4. Switch the machine on and wait until the saw blade reaches its maximum speed.
5. Press the handle downwards slowly. Allow the blade to cut through the material. Do not force the tool.
6. After you have finished cutting, release the trigger switch and wait until the saw blade stops completely, then raise the handle.

This setting is for the more complex beveled angle cuts.

NOTE: At some extreme positions, the hold-down clamp should be moved to the right side of the table and the sliding fence moved to the left to prevent interference with the movement of the cutting head. (fig. 14 & 15). Always check before making the cut if there is any potential interference from the clamp or any other part of the machine.

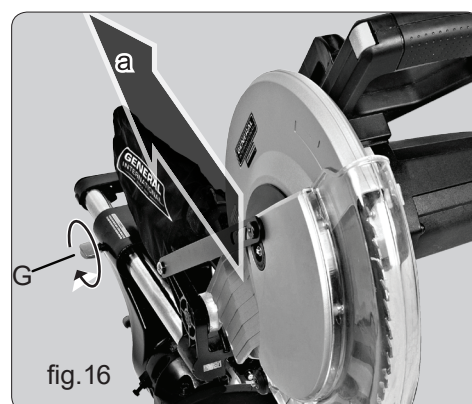
NOTE: Even though the miter and bevel angles are marked on the machine, it is always a good idea to check them by making a trial cut.



SLIDING CUT

You can extend the cuts above to wider pieces (up to 12-1/4 in. -311 mm-wide on right-angle cuts) by loosening the carriage slide lock knob (G, fig.1, 3 & 16) and using the above methods, cutting while sliding the saw head from the front towards the fence at the back.

1. Release the carriage slide lock knob, allowing the carriage to slide freely.
2. Completely pull the cutting head towards the operator.
3. Switch the machine on and wait until it reaches maximum speed.
4. Press the handle downwards slowly.
5. Push it away from you (a, fig.16) so the cutting head slides toward the fence at the back while cutting the workpiece.
6. Allow the blade to cut through the material. Do not force the tool.
7. After you have finished cutting, release the trigger switch and wait until the saw blade stops completely, then raise the handle.



NOTE: At some extreme positions, the hold-down clamp should be moved to the right side of the table and the sliding fence to the left to prevent interference with the movement of the cutting head. (fig. 14 & 15). Always check before making the cut if there is any potential interference from the clamp, the fence or any other part of the machine.

NOTE: Even though the miter and bevel angles are marked on the machine, it is always a good idea to check them by making a trial cut.

SETTING DADO CUTS

This saw can be used to cut grooves (dados) in the workpiece, rather than cut right through. The saw head is lowered only part way and while held in that position, a cut is made.

1. This dado depth is engaged when the dado stopper plate (D1, fig 17) is swung down (in the horizontal position as shown in fig.17) and engages the dado depth adjust screw (D, fig.17).
2. To set the depth to which the blade will cut during this operation, the should be in its resting position. (fig.17)
3. Push the handle down completely, to its lowest position, and notice that the dado depth adjustment screw is what limits the downward travel of the sawhead.
4. Turn the dado depth adjustment screw so that the saw blade teeth at their lowest point are above the table surface at a height corresponding with the desired depth of the dado.
5. Tighten the locking nut on the shank of the dado depth adjustment screw to lock its setting.
6. Test the depth of the dado by making a trial cut in a piece of scrap material.
7. Adjust as necessary.
8. To remember or repeat the dado depth later, swing the dado stopper plate out of the way so that the saw can cut all the the way through the workpiece and when you wish to cut a dado, move the dado stopper plate back to its original horizontal position.

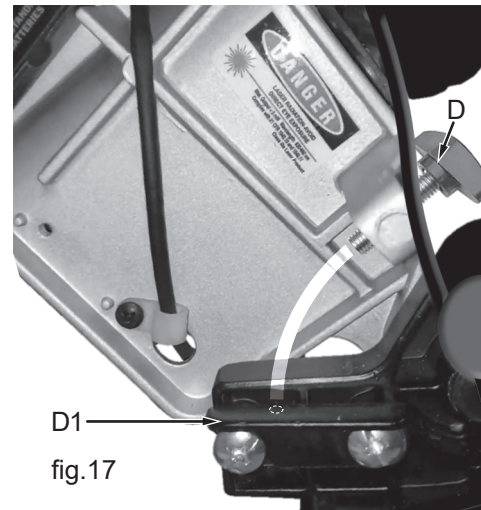
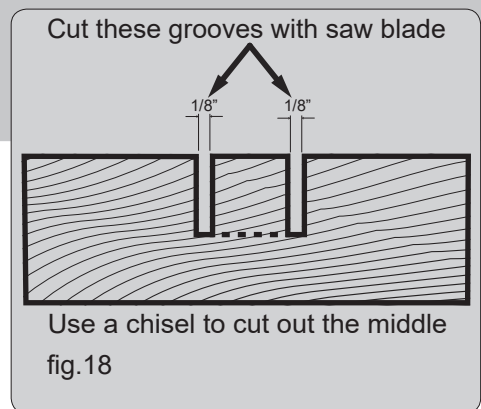


fig.17

NOTE: This saw is **not** designed to be used with a true dado blade. In order to make wide dado cuts, use a standard (1/8" thick) blade and make multiple adjacent cuts at the set depth or make a cut on each side and remove the material in between manually (fig.18).

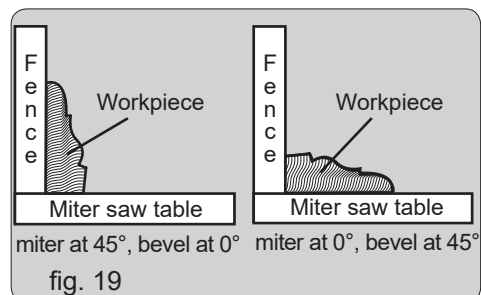


CUTTING MOLDING

CUTTING BASE MOLDING

Base moldings and many other moldings can be cut on a compound miter saw. The setup of the saw depends on molding characteristics and application, as shown in fig.19. Perform practice cuts on scrap material to achieve best results:

1. Always make sure moldings rest firmly against fence and table. Use hold-down, crown molding vise or C-clamps, whenever possible, and place tape on the area being clamped to avoid marks.
2. Reduce splintering by taping the cut area prior to making the cut. Mark the cut line directly on the tape.
3. Splintering typically happens due to an incorrect blade application and thinness of the material.



NOTE: Always perform a dry run cut so you can determine if the operation being attempted is possible before power is applied to the saw.

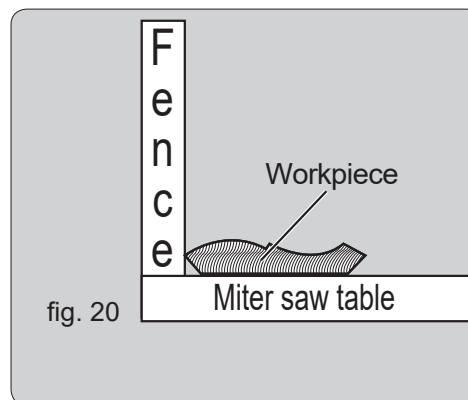
CUTTING CROWN MOLDING

Your compound miter saw is suited for the difficult task of cutting crown molding. To fit properly, crown molding must be compound-mitered with extreme accuracy. The two surfaces on a piece of crown molding that fit flat against the ceiling and wall are at angles that, when added together, equal exactly 90°.

Most crown molding has a top rear angle (the section that fits flat against the ceiling) of 52° and a bottom rear angle (the section that fits flat against the wall) of 38°.

In order to accurately cut crown molding for a 90° inside or outside corner, lay the molding with its broad back surface flat on the saw table. When setting the bevel and miter angles for compound miters, remember that the settings are interdependent; changing one changes the other, as well.

Settings **that follow are** for standard crown molding lying flat on compound miter saw table (as in fig 20):

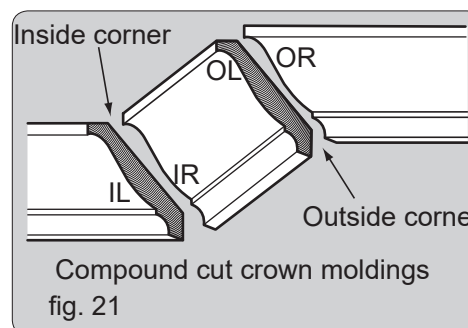


BEVEL/MITER SETTINGS

NOTE: The chart below references a compound cut for crown molding ONLY WHEN THE ANGLE BETWEEN THE WALLS EQUALS 90°.

CROWN MOLDING CHART

KEY see Fig. GG	BEVEL SETTING	MITER SETTING	TYPE OF CUT
Inside corner-Left side			
IL	33.9°	31.6° Right	1. Position top of molding against fence. 2. Miter table set at RIGHT 31.6°. 3. LEFT side is finished piece.
Inside corner-Right side			
IR	33.9°	31.6° Left	1. Position bottom of molding against fence. 2. Miter table set at LEFT 31.6°. 3. LEFT side is finished piece.
Outside corner-Left side			
OL	33.9°	31.6° Left	1. Position bottom of molding against fence. 2. Miter table set at LEFT 31.6°. 3. RIGHT side is finished piece.
Outside corner-Right side			
OR	33.9°	31.6° Right	1. Position top of molding against fence. 2. Miter table set at RIGHT 31.6°. 3. RIGHT side is finished piece.



(see fig. 21)

**COMPOUND MITER SAW MITER AND BEVEL ANGLE SETTINGS-
WALL TO CROWN MOLDING ANGLE**

Angle Between Walls	52/38° Crown Molding		45/45° Crown Molding	
	Miter Setting	Bevel Setting	Miter Setting	Bevel Setting
67	42.93	41.08	46.89	36.13
68	42.39	40.79	46.35	35.89
69	41.85	40.50	45.81	35.64
70	41.32	40.20	45.28	35.40
71	40.79	39.90	44.75	35.15
72	40.28	39.61	44.22	34.89
73	39.76	39.30	43.70	34.64
74	39.25	39.00	43.18	35.38
75	38.74	38.69	42.66	34.12
76	38.24	38.39	42.15	33.86
77	37.74	38.08	41.64	33.60
78	37.24	37.76	41.13	33.33
79	36.75	37.45	40.62	33.07
80	36.27	37.13	40.12	32.80
81	35.79	36.81	39.62	32.53
82	35.31	36.49	39.13	32.25
83	34.83	36.17	38.63	31.98
84	34.36	35.85	38.14	31.70
85	33.90	35.52	37.66	31.42
86	33.43	35.19	37.17	31.34
87	32.97	34.86	36.69	30.86
88	32.52	34.53	36.21	30.57
89	32.07	34.20	35.74	30.29
90	31.62	33.86	35.26	30.00
91	31.17	33.53	34.79	29.71
92	30.73	33.19	34.33	29.42
93	30.30	32.86	33.86	29.13
94	29.86	32.51	33.40	28.83
95	29.43	32.17	32.94	28.54
96	29.00	31.82	32.48	28.24
97	28.58	31.48	32.02	27.94
98	28.16	31.13	31.58	27.64
99	27.74	30.78	31.13	27.34
100	27.32	30.43	30.68	27.03
101	26.91	30.08	30.24	26.73
102	26.50	29.73	29.80	26.42
103	26.09	29.38	29.36	26.12
104	25.69	29.02	28.92	25.81
105	25.29	28.67	28.48	25.50
106	24.89	28.31	28.05	25.19
107	24.49	27.96	27.62	24.87
108	24.10	27.59	27.19	24.56
109	23.71	27.23	26.77	24.24
110	23.32	26.87	26.34	23.93
111	22.93	26.51	25.92	23.61
112	22.55	26.15	25.50	23.29
113	22.17	25.78	25.08	22.97
114	21.79	25.42	24.66	22.66
115	21.42	25.05	24.25	22.33
116	21.04	24.68	23.84	22.01
117	20.67	24.31	23.43	21.68
118	20.30	23.94	23.02	21.36
119	19.93	23.57	22.61	21.03
120	19.57	23.20	22.21	20.70
121	19.20	22.83	21.80	20.38
122	18.84	22.46	21.40	20.05
123	18.48	22.09	21.00	19.72

Angle Between Walls	52/38° Crown Molding		45/45° Crown Molding	
	Miter Setting	Bevel Setting	Miter Setting	Bevel Setting
124	18.13	21.71	20.61	19.39
125	17.77	21.34	20.21	19.06
126	17.42	20.96	19.81	18.72
127	17.06	20.59	19.42	18.39
128	16.71	20.21	19.03	18.06
129	16.37	19.83	18.64	17.72
130	16.02	19.45	18.25	17.39
131	15.67	19.07	17.86	17.05
132	15.33	18.69	17.48	16.71
133	14.99	18.31	17.09	16.38
134	14.66	17.93	16.71	16.04
135	14.30	17.55	16.32	15.70
136	13.97	17.17	15.94	15.36
137	13.63	16.79	15.56	15.02
138	13.30	16.40	15.19	14.62
139	12.96	16.02	14.81	14.34
140	12.63	15.64	14.43	14.00
141	12.30	15.25	14.06	13.65
142	11.97	14.87	13.68	13.31
143	11.64	14.48	13.31	12.97
144	11.31	14.09	12.94	12.62
145	10.99	13.71	12.57	12.29
146	10.66	13.32	12.20	11.93
147	10.34	12.93	11.83	11.59
148	10.01	12.54	11.46	11.24
149	9.69	12.16	11.09	10.89
150	9.37	11.77	10.73	10.55
151	9.05	11.38	10.36	10.20
152	8.73	10.99	10.00	9.85
153	8.41	10.60	9.63	9.50
154	8.09	10.21	9.27	9.15
155	7.77	9.82	8.91	8.80
156	7.46	9.43	8.55	8.45
157	7.14	9.04	8.19	8.10
158	6.82	8.65	7.83	7.75
159	6.51	8.26	7.47	7.40
160	6.20	7.86	7.11	7.05
161	5.88	7.47	6.75	6.70
162	5.57	7.08	6.39	6.35
163	5.26	6.69	6.03	6.00
164	4.95	6.30	5.68	5.65
165	4.63	5.90	5.32	5.30
166	4.32	5.51	4.96	4.94
167	4.01	5.12	4.61	4.59
168	3.70	4.72	4.25	4.24
169	3.39	4.33	3.90	3.89
170	3.08	3.94	3.54	3.53
171	2.77	3.54	3.19	3.10
172	2.47	3.15	2.83	2.83
173	2.15	2.75	2.48	2.47
174	1.85	2.36	2.12	2.12
175	1.54	1.97	1.77	1.77
176	1.23	1.58	1.41	1.41
177	0.92	1.18	1.06	1.06
178	0.62	0.79	0.71	0.71
179	0.31	0.39	0.35	0.35

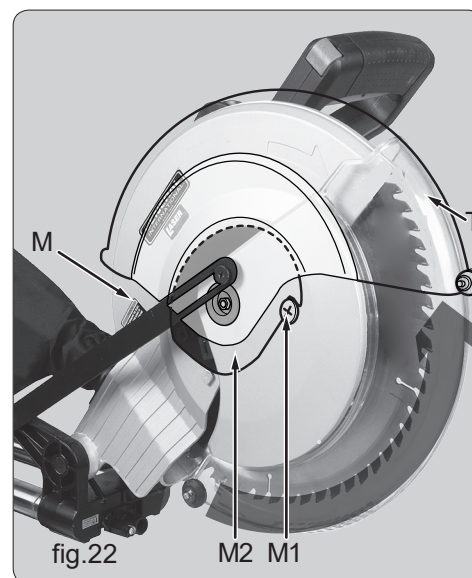
MAINTENANCE

MOUNTING AND REMOVING THE BLADE

WARNING: Before replacing the saw blade always unplug the tool. Make sure that the spindle speed diameter and saw blade bore match. Only use sharp and undamaged saw blades. Cracked or bent saw blades must be replaced immediately.



1. Unplug the saw from the outlet.
2. Raise the miter saw to the upright position. Slide the cutting head assembly completely toward the rear of the unit and tighten the sliding carriage lock knob (G, fig.1).
3. Raise the lower blade guard (T, fig.1&2) to the uppermost position.
4. While holding the lower blade guard, loosen but do not remove the cover plate screw (M1, fig.22) with a Phillips screwdriver by turning the screw counterclockwise.
5. Rotate the cover plate (M2, fig.22) back to expose the arbor bolt (4).
6. Lower the cutting head and lock into place with the cutting head lock knob (U, fig.3).
7. Place the blade wrench over the arbor bolt (4)
8. Locate the arbor lock (S, fig.2) below motor lower cover.
9. Press the arbor lock, holding it in firmly while turning the blade clockwise. At a certain point the arbor lock will engage and lock the arbor. Continue to hold the arbor lock, while turning the wrench clockwise to loosen the arbor bolt (4, fig.23).
10. Unlock cutting head and raise head to upright position.
11. Remove the arbor bolt (4, fig.23).

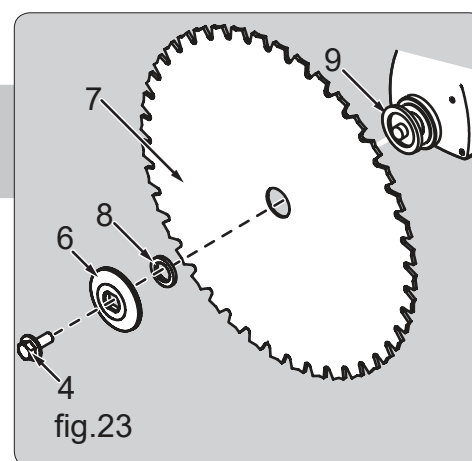


NOTE: This bolt has a left hand thread. To remove it, you must turn it **clockwise**.

12. Remove the outer blade collar (6), and the blade (7, fig.23).
13. Do not remove the inner blade collar (9, fig.23).

NOTE: Pay attention to the pieces removed, noting their position and direction they face. Wipe the blade collars clean of any sawdust before installing a new blade.

14. Clean the bolt, washer, inner and outer flanges.
15. Place a new saw blade with the teeth pointing in the direction of rotation onto the inner flange and saw blade shaft. (See the arrow on the upper blade guard).
16. Place the outer flange on the saw blade shaft.
17. Engage the lock knob, mount the washer and blade bolt. Tighten it by turning it counter-clockwise.
18. Lower the saw blade guard.



REPLACING THE CARBON BRUSHES

WARNING: Prior to inspection or saw maintenance, turn off power switch and disconnect plug from power source.



1. Remove and check the carbon brushes regularly.
2. Use a screwdriver to remove the brush holder caps.
3. Replace brushes when they are excessively chipped or wear down to the limit (1/4) mark (fig.4).
4. Take out the worn carbon brushes, insert new ones and secure the brush holder caps.
5. Both carbon brushes should be replaced at the same time.
6. Keep the carbon brushes clean and free to slip in the holders.

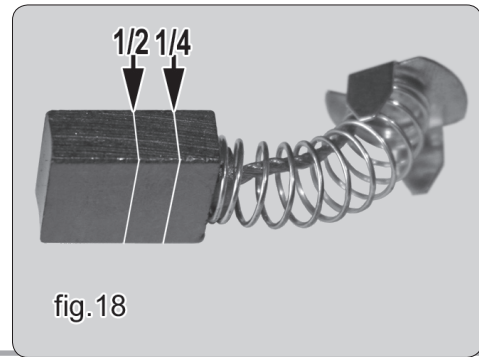


fig.18

CALIBRATION OF CUT

Each degree of error in your miter or bevel cut setting is magnified when translated across the width of the cut you are making. Precision cuts, as any veteran woodworker will tell you, will be more successful if a piece of scrap wood is used to make a test cut first. This saw is equipped with quick stops for easy angle adjustment, but they are designed to aid in rough carpentry.

To increase the accuracy of the saw's miter settings, you can make some fine adjustments.

NOTE: When making cuts, ensure that all hold-down clamps are tight and angle adjustment settings are locked in. This will reduce errors produced by slippage, both in the material and in the saw settings.

ADJUSTMENT OF MITER ANGLE

1. The fence is secured with four 6 mm hex socket head bolts.
2. Loosen these bolts, and the fence will slide. It can be rotated a small distance in either direction.
3. With a square, calibrate the fence at 90 degrees to the line of cut at the 0 degree quick stop and re-tighten the bolts.

Once the fence is square to the blade, the red miter degree indicator can be adjusted to indicate the exact angle in the following way:

1. Loosen the philips head screw and re-set the indicator to read exactly 0 degrees.
2. Re-tighten the screw.

ADJUSTMENT OF BEVEL ANGLE

1. At the rear of the saw, on the right side of where the arm pivots is a hex socket head depth setting screw that limits the 45° bevel.
2. Loosen the locking nut and adjust the screw with a 5 mm hex key to adjust the stop point to be correct at 45 degrees of bevel.
3. Check the settings with a square against the blade.
4. Re-tighten the locking nut once the angles are correct.

Once the bevel is correct, the bevel degree indicator at the back can be adjusted to indicate the exact angle in the following way:

1. Loosen the cross head screw and re-set the indicator to read exactly 0 degrees when the vertical stop is contacted.
2. Re-tighten the screw.

PREVENTIVE MAINTENANCE

Keep your tool in good condition by adopting a regular maintenance program.

WARNING: *Prior to inspection or saw maintenance, turn off power switch and disconnect plug from power source.*



- Before each use, examine the general condition of your tool.
- Inspect blades, switches, tool cord and extension cord for damage.
- Check for loose screws, misalignment, binding of moving parts, improper mounting, broken parts, and any other condition that may affect its' safe operation.
- If abnormal noise or vibration occurs, turn the tool off immediately and have the problem corrected before further use.
- Do not use a damaged tool.
- Never disassemble the tool or try to do any rewiring on the tool's electrical system.
- Keep the vents clear of dust and debris. This will help prevent possible electrical shorts and ensure proper cooling.
- Keep the tool housing and handle clean and free of oil and grease using mild soap and a damp (not wet) cloth. Use only mild soap and damp cloth to clean your tool since certain cleaning agents and solvents are harmful to plastics and other insulated parts. Some of these harmful solvents include: gasoline, turpentine, lacquer thinner, paint thinner, chlorinated cleaning solvents, ammonia, and household detergents containing ammonia.
- The table kerf plate inserts should be replaced if damaged to reduce the risk of chips lodging in the slot and catching in the blade.
- If the tool is to be stored for any length of time, remove the batteries from the laser battery compartment to prevent damage to the device.
- Lubrication is done at the factory and with the exception of the slide bearings, should not be necessary again under normal use.
- An authorized repair center should do any repairs, modification, or maintenance that involve disassembling the saw.
- Any damage to the tool should be corrected at an authorized repair center. Contact General International for all repairs.

WARNING! *Never use flammable or combustible solvents around tools.*



WARNING! *To reduce the risk of injury, electric shock and damage to the tool, never immerse your tool in liquid or allow liquid to flow inside the tool.*



TROUBLESHOOTING GUIDE

WARNING: To avoid injury from accidental starting, always turn switch OFF and unplug the tool before moving, replacing the blade or making adjustments.



TROUBLESHOOTING GUIDE - MOTOR

PROBLEM	PROBLEM CAUSE	SUGGESTED CORRECTIVE ACTION
Blade hits table.	1. Misalignment.	1. See ADJUSTMENT- CUTTING ARM TRAVEL section.
Angle of cut not accurate. Can not adjust miter.	1. Miter table unlocked. 2. Sawdust under table.	1. See OPERATION - MITER ANGLE ADJUSTMENT section. 2. Vacuum or blow out dust. WEAR EYE PROTECTION.
Cutting arm wobbles.	1. Loose pivot points.	1. Contact Service Center.
Cutting arm will not fully raise, or blade guard won't fully close.	1. Pivot spring not replaced properly after service. 2. Sawdust build-up.	1. Clean and lubricate moving parts. 2. Contact Service Center.
Blade binds, jams, burns wood.	1. Improper operation. 2. Dull or warped blade. 3. Improper blade size. 4. Wood is moving during cut.	1. See BASIC SAW OPERATION section. 2. Replace or sharpen blade. 3. Replace with 12 in. diameter blade. 4. Use clamp to secure workpiece to fence unit and table.
Saw vibrates or shakes.	1. Saw blade not round / damaged / loose. 2. Arbor bolt loose.	1. Replace blade. 2. Tighten arbor bolt.

TROUBLESHOOTING GUIDE

TROUBLESHOOTING GUIDE - SAW OPERATION

PROBLEM	PROBLEM CAUSE	SUGGESTED CORRECTIVE ACTION
Blade hits table.	1. Misalignment.	1. See ADJUSTMENT- CUTTING ARM TRAVEL section.
Angle of cut not accurate. Can not adjust miter.	1. Miter table unlocked. 2. Sawdust under table.	1. See OPERATION - MITER ANGLE ADJUSTMENT section. 2. Vacuum or blow out dust. WEAR EYE PROTECTION.
Cutting arm wobbles.	1. Loose pivot points.	1. Contact Service Center.
Cutting arm will not fully raise, or blade guard won't fully close.	1. Pivot spring not replaced properly after service. 2. Sawdust build-up.	1. Clean and lubricate moving parts. 2. Contact Service Center.
Blade binds, jams, burns wood.	1. Improper operation. 2. Dull or warped blade. 3. Improper blade size. 4. Wood is moving during cut.	1. See BASIC SAW OPERATION section. 2. Replace or sharpen blade. 3. Replace with 12 in. diameter blade. 4. Use clamp to secure workpiece to fence unit and table.
Saw vibrates or shakes.	1. Saw blade not round / damaged / loose. 2. Arbor bolt loose.	1. Replace blade. 2. Tighten arbor bolt.

PARTS LIST

To purchase parts, call 844.877.5234.

Ref	Description	Qty.
1	Base	1
2	Foot pad	4
3	M4 x 12 Phillips pan head self-tapping lock screw	4
4	M10 x 35 Outer hexagonal bolt	1
5	Base scale	1
6	Bracket rod	2
7	M6 latch nut	2
8	φ 6 big flat washer	1
9	Crossbar	1
10	Square gasket	1
11	Locking gasket	1
12	Locking screw	1
13	Locking spanner	1
14	φ 5 x 15.5 cylindrical pin	1
15	φ5 x 9 cylindrical pin	1
16	Moveable backup plate	1
17	M6 x 12 Phillips pan head screws (big head)	2
18	Wing screw M6 x 15	1
19	φ 8 flat washer	7
20	φ 8 spring washer	7
21	M8 x 25 socket head cap screw	3
22	Turntable mat (small)	10
23	Compression spring	1
24	Small pressure plate	1
25	M4 x 8 Phillips pan head screw	5
26	Position fixing knob	1
27	M5 lock nut	1
28	Rubber screw	1
29	Turntable locking pin	1
30	φ 3 x 20 hollow pin	1
31	Self-locking spring	1
32	Turntable handle/Component/Plastic part	1
33	M5 x 35 Hexagon socket non-standard screw	1
34	Turntable	1
35	Turntable pointer	1
36	M5 x 8 Phillips pan head screw	1
37	Kerf plate	1
38	M10 big flat washer	1
39	M10 lock nut	1
40	Self-locking cap	1
41	M8 x 30 socket head cap screw	4
42	M6 hexagonal nut	2
43	M6 x 50 outer hexagonal bolt	2
44	M6 x 8 hexagon socket set screw	12
45	Connecting base	1

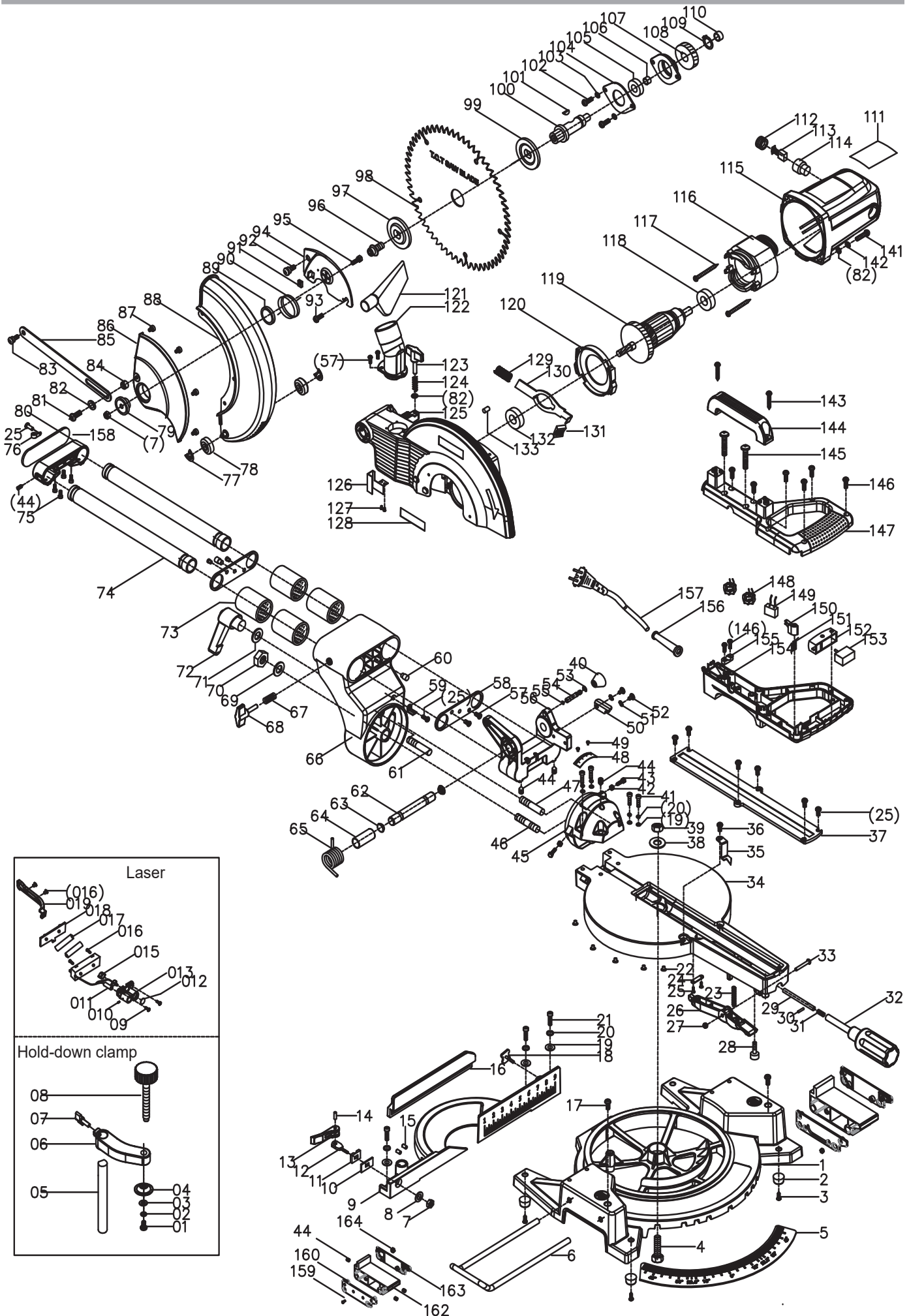
Ref	Description	Qty.
46	Turntable bracket lock pin	1
47	M10 x 70 double-headed screw	1
48	Small scale (bevel scale)	1
49	φ 2.5 x 4 rivet	2
50	Depth positioning plate	1
51	φ 8 wave spring washer	2
52	M6 x 12 non-standard stepped screw	2
53	φ 8 clamp spring for shaft	1
54	Hood self-locking pin	1
55	φ 7.5 x 1.9 O-ring	1
56	Head cover bracket	1
57	M5 x 10 Phillips pan head screw	7
58	Bearing pressure plate	2
59	Bevel pointer	1
60	Gear post	2
61	Angle limit screw	1
62	Chop pivot pin	1
63	Cover for locating pin	2
64	Torsion spring sleeve	1
65	Large torsion spring	1
66	Turntable bracket	1
67	Small spring	1
68	M6 x 20 small knob	1
69	φ 16 Flat washer	1
70	M16 lock nut	1
71	φ 10 arched washer	1
72	Fasten handle	1
73	φ 45 x φ 30 x 35 linear bearing	4
74	Sliding rod	2
75	M6 x 16 socket head cap screw	4
76	Cable clamp	1
77	φ 5 split washer	2
78	Transparent cover protective roller	1
79	Transparent cover gasket (small)	1
80	Sliding rod rear cover	1
81	M6 x 20 Phillips pan head screw	1
82	φ 6 flat washer	6
83	Hemisphere shoulder screw (long)	1
84	Spacer ring	1
85	Connecting rod	1
86	Transparent cover reinforcement plate	1
87	M5 flat head cross self-tapping locking screw	5
88	Transparent cover	1
89	Transparent cover gasket (large)	1
90	Transparent cover coil spring	1
91	Rubber stop (square)	1

PARTS LIST

Ref	Description	Qty.
92	M6 x 7 flat head cross non-standard screw	1
93	M6 x 10 Phillips pan head screws	1
94	Large hood	1
95	M6 x 14 hexagon non-standard screws	1
96	M8 x 18 flange face left hexagon bolt	1
97	Outer pressing plate	1
98	Saw blade	1
99	Inner pressing plate	1
100	Output shaft	1
101	4 x 13 Woodruff key	1
102	M5 x 16 Phillips pan head screws	2
103	φ 5 spring washer	2
104	Bearing gland	1
105	6203 bearing	1
106	Distance sheath	1
107	Bearing housing	1
108	Big gear wheel	1
109	φ 17 jump ring for shaft	1
110	HK121610 needle bearing	1
111	Specification label	1
112	Brush-holder cover	2
113	Carbon brush	2
114	Brush-holder	2
115	Housing case	1
116	Stator	1
117	ST4.8 x 65 Phillips pan head self-tapping lock screw	2
118	6000 bearing	1
119	Rotor	1
120	Fan baffle	1
121	Dust bag	1
122	Dust outlet	1
123	Cut depth adjusting handle	1
124	Depth adjusting spring	1
125	Hood	1
126	Hood stop	1
127	M4 x 8 Phillips countersunk head screw	2
128	Logo label	1
129	Self-locking compression spring	1
130	Arbor lock tie rod	1
131	Arbor lock sheath	1
132	6202 bearing	1
133	Shockproof pin	1
141	M6 x 35 Phillips pan head screw	4
142	φ 6 spring washer	4
143	ST5.5 x 18 Phillips pan head self-tapping lock screw	2

Ref	Description	Qty.
144	Handle knob	1
145	M5 x 40 Phillips pan head screw	2
146	ST3.9 x 16 Phillips pan head self-tapping lock screw	8
147	Handle cover top	1
148	Inductance	1
149	Capacitance (0.33uf)	1
150	Switch self-locking button	1
151	Switch torsion spring	1
152	Switch button	1
153	Switch FA2-10	1
154	Handle	1
155	Cable strain relief	1
156	Cable sheath	1
157	Cable plug	1
158	Sliding rod rear cover	1
159	M4 x 45 Phillips pan head screw	8
160	Extension block end cap 1	1
161	Extension block	2
162	Extension block end cap 2	1
163	M4 hex nut	8
164	Extension block end cap 3	1
165	Extension block end cap 4	1
Laser & clamp		
01	M5 x 12 Phillips pan head screw	1
02	φ 5 spring washer	1
03	φ 5 flat washer	1
04	Clamp platen	1
05	(Clamp) positioning post	1
06	Small connecting rod	1
07	M6 x 15 small knob	1
08	Hand wheel	1
09	M4 x 8 Phillips pan head screws	2
010	M4 x 4 hexagon socket set screw	1
011	Laser head + battery box + LED lamp	1
012	LED lamp front cover	1
013	Laser base	1
015	LED lamp back cover	1
016	M4 x 8 Phillips countersunk head screw	4
017	Battery	2
018	Battery cover	1
019	Cable clip	1

EXPLODED DRAWING





General International
Power Products, LLC
6243 Industrial Parkway
Whitehouse, OH 43571
USA
**USA toll-free (844) 877-5234 or
(419) 877-5234**
**Canada toll-free (888) 949-1161
or (604) 420-2299**
website: [www.
gipowerproducts.com](http://www.gipowerproducts.com)