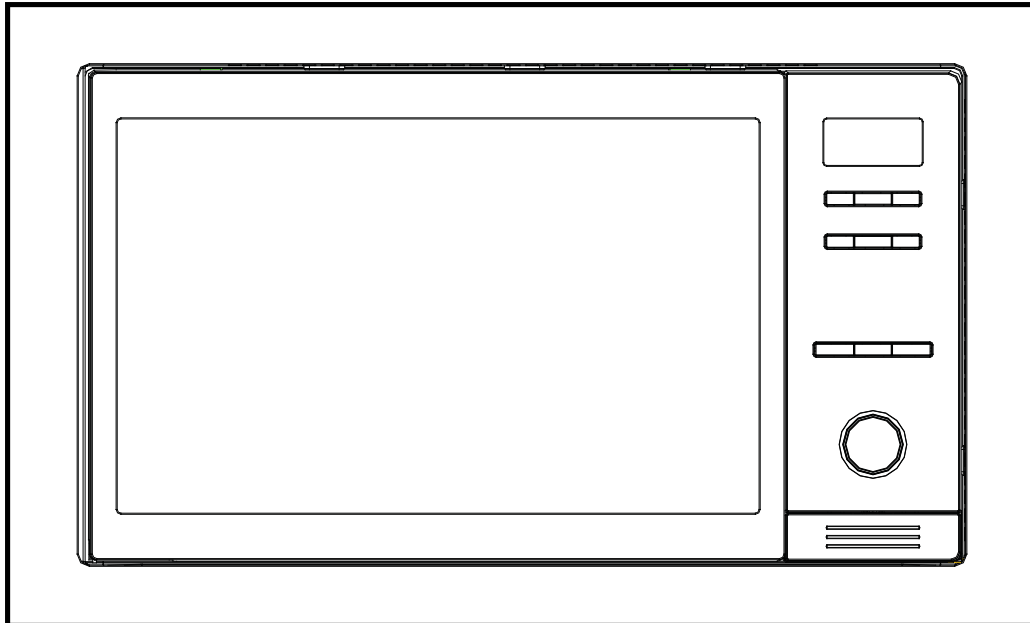




Combo Microwave-Oven

Model - CMO 800 T



USER MANUAL

Read the Instructions carefully and Keep for Future Reference

WARRANTY SERVICE

This warranty is given by:

Equator Appliances

**10216 Georgibelle Drive, Suite 900D
Houston, TX 77043-5249**

For Service, Parts and Accessories:

Appliance Desk

Call 1-800-776-3538

Email: service@appliancedesk.com

Web: www.ApplianceDesk.com

Business hours: 9:00 am to 5:00 pm weekdays

GENERAL

Since it is responsibility of the consumer - owner to establish the warranty period by verifying the original purchase date, Equator Appliances recommends that a receipt, delivery slip or some other appropriate payment record be kept for that purpose. Remember to send in your Warranty Registration Card so that a proof of your purchase exists with Equator Appliances.

You can also register online at this link www.ApplianceDesk.com

This warranty gives you specific legal rights, and you may also have other rights which vary from State to state.

All rights reserved. Manual subject to change without notice.

IMPORTANT SAFETY INSTRUCTIONS

READ CAREFULLY AND KEEP FOR FUTURE REFERENCE

- **WARNING:** Children should only use the oven under adult supervision.
- **WARNING:** If the door or door seals are damaged, the oven must not be operated until it has been repaired by a competent person.
- **WARNING:** It is hazardous for anyone other than a competent person to carry out any service or repair operation that involves the removal of a cover which gives protection against exposure to microwave energy.
- **WARNING:** Liquids and other foods must not be heated in sealed containers since they are liable to explode.

- **Do not cover or block any openings on the appliance.**
- **When heating food in plastic or paper containers, keep an eye on the oven due to the possibility of ignition.**
- **If smoke is observed, switch off or unplug the appliance and keep the door closed in order to stifle any flames.**
- **Microwave heating of beverages can result in delayed eruptive boiling, therefore care must be taken when handling the container.**
- **The contents of feeding bottles and baby food jars should be stirred or shaken and the temperature checked before consumption, in order to avoid burns.**

- **If the supply cord is damaged, do not operate the appliance. It must be replaced by the manufacturer, their service agent or a qualified person.**

Pacemakers:

Most pacemakers are shielded from interference from electronic products, including microwaves. However, patients with pacemakers may wish to consult their physicians if they have concerns.

GROUNDING INSTRUCTIONS

This appliance must be grounded. In the event of an electrical short circuit, grounding reduces the risk of electric shock by providing an escape wire for the electric current. This appliance is equipped with a cord having a grounding wire with a grounding plug. The plug must be plugged into an outlet that is properly installed and grounded.

WARNING!

Improper use of the grounding can result in a risk of electrical shock. Consult a qualified electrician or serviceman if the grounding instructions are not completely understood, or if doubt exists as to whether the appliance is properly grounded, and do not use an extension cord. If the power supply cord is too short. Have a qualified electrician or serviceman install an outlet near the appliance.

INSTALLATION

The combo microwave-oven can be free standing or installed.
Please see Installation Instruction.

DISPOSAL

Never leave all or part of the packaging lying around. Packaging parts, and especially plastic bags, may become a suffocation hazard for children. Dispose off packaging material properly.

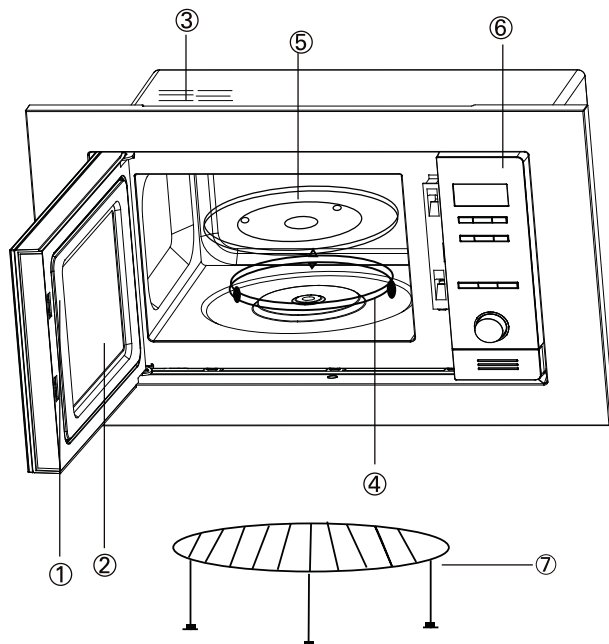
Dispose of old appliances in accordance with local regulations.



The manufacturer declines all responsibility for injury or damage caused by failure to comply with the above regulations or deriving from tampering with even just one part of the appliance and the use of non-original spare parts.

OPERATION INSTRUCTIONS

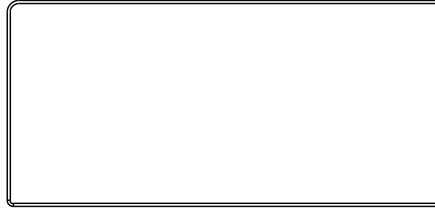
1. Always have the glass tray, roller arms, coupling and roller track in place when operating the oven.
2. **Do not** use the oven for any reason other than food preparation, such as for drying clothes, paper, or any other non food items, or for sterilizing purposes.
3. **Do not** operate the oven when empty. This could damage the oven.
4. **Do not** use the oven cavity for any type of storage, such papers, cookbooks, etc.
5. **Do not** cook any food surrounded by a membrane, such as egg yolks, potatoes, etc. without first being pierced several times with a fork.
6. **Do not** at any time remove parts from the oven such as the feet, coupling, screws, etc.
7. **Do not** cook food directly on the glass tray. Place food in/on proper cooking utensil before placing in the oven.
8. Use only microwave safe cookware.
Do not use metal pans or dishes with metal handles or anything with metal trim.
9. Do not use conventional meat or candy thermometers. There are the thermometers available specifically for microwave cooking. These may be used.
10. Microwave utensils should be used only in accordance with manufacturer's instructions.
11. Do not attempt to deep-fry foods in this oven.
12. Please remember that a microwave oven only heats the liquid in a container rather than the container itself. Therefore, even though the lid of a container is not hot to the touch when removed from the oven, please remember that the food/liquid inside will be releasing the same amount of steam when the lid is removed as in conventional cooking.
13. Always test the temperature of cooked food yourself especially if you are heating or cooking food/liquid for babies. It is advisable never to consume food/liquid straight from the oven but allow it to stand for a few minutes and stir food/liquid to distribute heat evenly.
14. Cook food as instructed on the package.
15. To reduce the risk of fire in the oven cavity:
 - (a) Do not overcook food. Carefully attend microwave oven if paper, plastic, or other combustible materials are placed inside the oven to facilitate cooking.
 - (b) If materials inside the oven should ignite, keep oven door closed, turn the oven off at the wall switch, or shut off power at the fuse or circuit breaker panel.



FEATURE DIAGRAM

- (1) Door Safety Lock
- (2) Oven Window
- (3) Oven Air Vent
- (4) Roller Ring
- (5) Glass Tray
- (6) Control Panel
- (7) Grill rack

CONTROL PANEL



Display Window



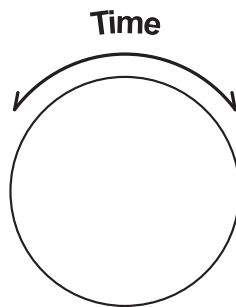
Oven Defrost Micro



Memory Combo Auto



Time Pause/
Cancel START



Time Setting Dial

CONTROL PANEL OPERATION

1. Single Button Heating

With a single press of a button, you can start simple cooking. It is very convenient and quick to heat a glass of water etc.

Example: To heat a glass of water

- a) Put a glass of water onto the glass turntable and close the door.
- b) Press the button "Start", the microwave oven will work on P100 power for 1 minute.
- c) You will hear 5 beeps when heating is complete

2. Microwave Heating

This function has two options.

1) Quick microwave heating P100 power

Example: to heat food on P100 power for 5 minutes

- a) Rotate the Time Setting Dial until "5:00" is displayed
- b) Press "Start"

2) Manual-operation microwave heating

Example: To heat food on P70 power for 10 minutes

- a) Press "Micro" button, select "P70" power
- b) Rotate the Time Setting Dial until "10:00" is displayed
- c) Press "Start"

The maximum microwave heating time is 60 minutes.

Microwave power has 5 settings, from high to low power: P100, P70, P50, P30 and P10

3. Auto weight defrost

Select the food type and weight, and the appliance will automatically adjust the power level and time.

Example: defrost 500 gm (approx 1lbs) frozen meat

- a) Press the button "Defrost" and "dEF" will be displayed
- b) Rotate the Time Setting Dial to set the weight at 500
- c) Press "Start"

The weight of the food must be less than 2000 gm (approx 4.4 lbs)

4. Auto

Select the food type and weight. The appliance will automatically adjust the power and time.

Example: Auto cooking 500 gm (approx 1 lb) meat

- a) Press "Auto" button to choose A-3
- b) Rotate the Time Setting Dial to set weight at 500
- c) Press "Start"

Auto Heating Guide

A-1	A-2	A-3	A-4	A-5	A-6
Rice	Vegetable	Meat	Noodle	Fish	Reheat

5. Memory cooking function:

This function can memorize oven, defrost, mirco, combo, and auto functions to avoid resetting time and power operation.

a) If no memory has been set, press "Memory". "1" will be displayed. Input cooking power and time and press "Memory" again. The set program will be memorized. If you press "Start" instead of "Memory" button, the oven will start working, and the program also will be memorized.

b) If there is any previously set memory, when you press the "Memory" button, "1" will be displayed, and the oven will operate according to the memorized program after you press the "Start" button.

The Memory program will not be saved when the electricity is off.

Oven power has

6. Oven

The oven function has two settings: G-1 and G-2 from high to low power.

Example: Cooking food with G-1 for 20 minutes

a) Press "Oven" until the LED displays "G-1"

b) Set cooking time "20:00"

c) Press "Start"

When using the oven function the food isn't heated by microwave. Heat is radiated from the metal element at the top of the oven. When the oven is in use, the cooking time has 2 stages. After the 1st half of the cooking, the program will automatically pause and sound 2 beeps indicating you can open the oven and turn food over.

Close the door after turning the food over and press the "Start" button. The cooking will continue for the 2nd half.

If you do not want to turn the food over, the oven will re-start after 1 min pause.

The longest cooking time is 60 minutes.

7. Combination Cooking

This appliance offers you a combination of microwave and oven cooking.

Combo power has 2 settings: C-1 and C-2 from high to low power.

Example : Cooking food using C-2 for 30 minutes

a) Press "Combo" button to select "C-2"

b) Set cooking time for 30 minutes

c) Press "Start "

8. Clock

The oven can be used as a clock.

Example: to input time 16:30

a) Press "Time" and the clock symbol will flash in display. Rotate the Time setting dial to set "16:00"

b) Press "Time" again, and rotate the Time setting dial to set "16:30"

c) Press "Time" again, and the clock time is set

9. Timer

The timer function programs the microwave oven to begin and stop automatic cooking at a set time. (You should set the clock before using timer function).

Example: The current time of microwave oven is 16:30. To set cooking at 18:15 on P70 power for 10 minutes.

- a) Press "Time" and set time to 18:15 (same procedure as setting clock)
- b) Press "Micro" to set P70 power
- c) Input cooking time 10 minutes by rotating the Time Setting Dial
- d) Press "Start"

If you don't set power and cooking time (omit b and c steps), and directly press "Start" button, the microwave oven will work only as a clock. There will be 10 beeps at 18:15, but no other function will run.

10. Child-safety lock

To activate the child safety lock, press "Auto" and "Combo" at the same time for 2 seconds.

To unlock, press "Auto" and "Combo" at the same time again for 2 seconds, and it will unlock.

11. Pause/Cancel

- a) While using the appliance, pressing the "Pause/Cancel" button will stop the operation.
- b) If any program was set before pressing "Start", pressing this button will cancel all the set programs.

CARE OF YOUR COMBO MICROWAVE OVEN

1. Turn the oven off and remove the power plug from the wall socket before cleaning.
2. Keep the inside of the oven clean. When food splatters or spilled liquids adhere to oven walls, wipe with a damp cloth. Do not use harsh detergents or abrasive materials.
3. The outside oven surface should be cleaned with a damp cloth. To prevent damage to the operating parts inside the oven, water should not be allowed to seep into the ventilation openings.
4. Do not allow the Control Panel to become wet. Clean with a soft, damp cloth. Do not use detergents, abrasives or spray-on cleaners on the Control Panel.
5. If steam accumulates inside or around the outside of the oven door, wipe with a soft cloth. This may occur when the microwave oven is operated under high humidity conditions and in no way indicates malfunction of the unit.
6. The roller ring, glass tray and oven cavity floor should be cleaned regularly. Simply wipe the bottom surface of the oven with mild detergent. The roller ring and glass tray may be washed in mild sudsy water or a dishwasher. When removing the roller ring for cleaning, be sure to replace it in the proper position.
7. Remove odors from your oven by combining a cup of water with the juice and skin of one lemon in a deep microwaveable bowl. Microwave for 5 minutes, wipe thoroughly and dry with a soft cloth.

SPECIFICATIONS

Power consumption:	120V~60Hz,1280W
Output:	800 W
Oven heater:	900 W
Operating Frequency:	2,450 MHz
Outside Dimensions (HxWxD inches):	11.1x18.5x14.17
Oven Cavity Dimensions (HxWxD inches):	8.27x12.72x12.99
Oven Capacity:	0.8 cu.ft
Net Weight:	Approx. 31.63 lbs

BEFORE YOU CALL FOR SERVICE

1. If the oven will not perform at all, the display does not appear or the display disappears:
 - a) Check to ensure that the oven is plugged in securely. If it is not, remove the plug from the outlet, wait 10 seconds before plugging it again securely.
 - b) Check the premises for a blown circuit fuse or a tripped main circuit breaker. If these seem to be operating properly, test the outlet with another appliance.
2. If the microwave power does not function:
 - a) Check to see whether the timer is set.
 - b) Check to make sure that the door is securely closed to engage the safety interlocks switch, otherwise the microwave will not operate.

IF NONE OF THE ABOVE RECTIFIES THE SITUATION, THEN CONTACT THE AUTHORIZED SERVICE AGENT.

Note:

The appliance is for household use meant to heat food and beverages using electromagnetic energy and intended for indoor use only.

RADIO INTERFERENCE

Microwave oven may cause interference to your radio, TV, or similar equipment. When interference occurs, it may be eliminated or reduced by the following procedures.

- a. Clean the door and sealing surface of the oven.
- b. Place the radio, TV, etc. as far away from your microwave oven as possible.
- c. Use a properly installed antenna for your radio, TV, etc. to get a strong signal reception.