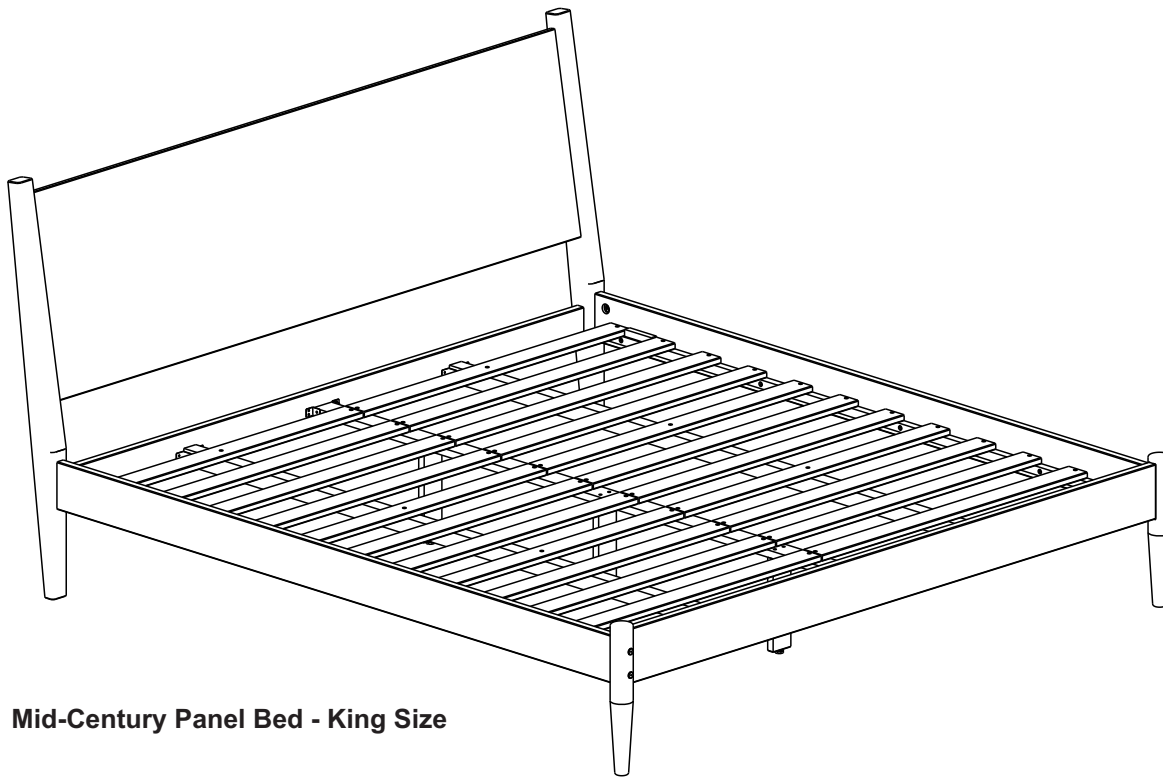
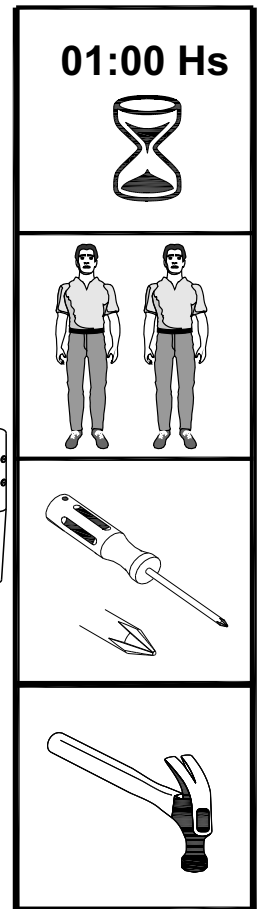


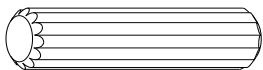
ASSEMBLY INSTRUCTIONS



Mid-Century Panel Bed - King Size



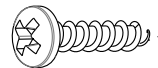
HARDWARE INCLUDED



A - 10,0x50 Wood Dowel
Qty. 20



B - 4,0x40 Screw
Qty. 16



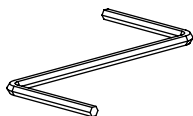
C - 3,5x16 Screw
Qty. 40



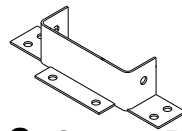
D - 3,5x30 Screw
Qty. 56



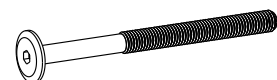
E - Screw Nut
Qty. 08



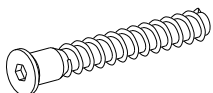
F - Allen Key
Qty. 01



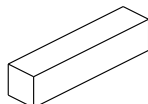
G - Support Bar
Qty. 02



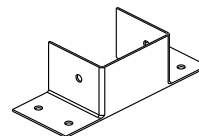
H - 1/4x100 Screw
Qty. 08



I - 7,0x50 Screw
Qty. 06

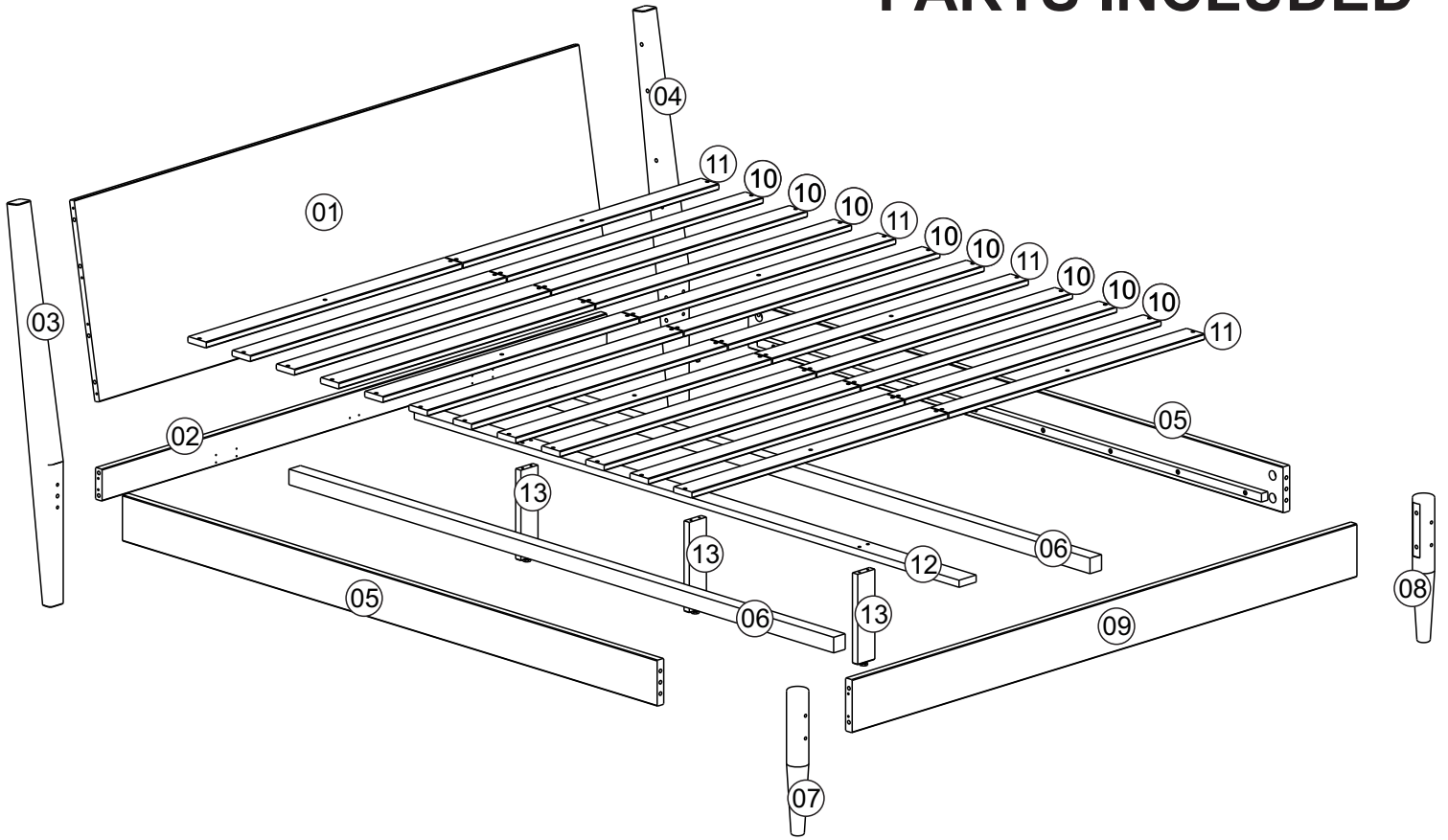


J - Bed Frame Separator 98mm
Qty. 02

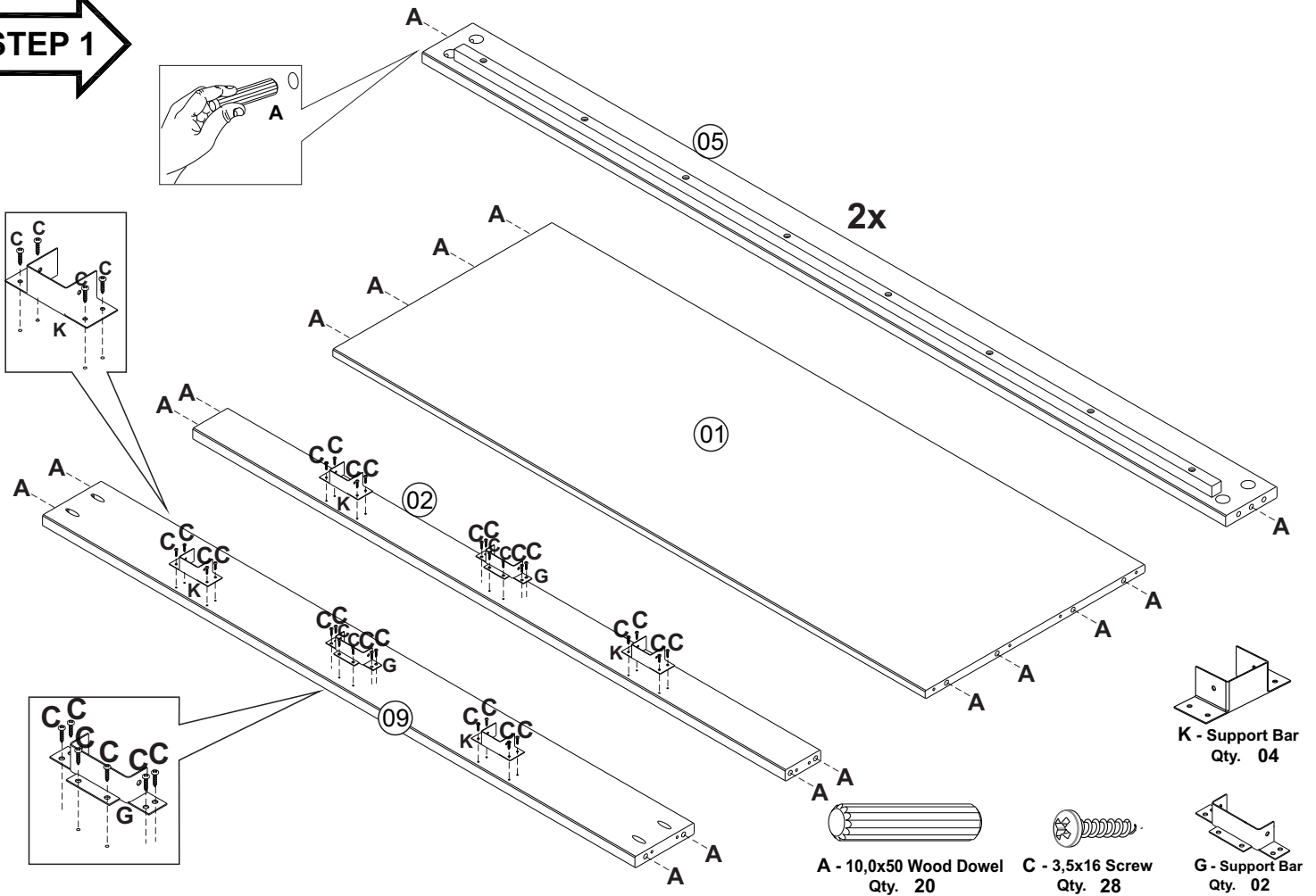


K - Support Bar
Qty. 04

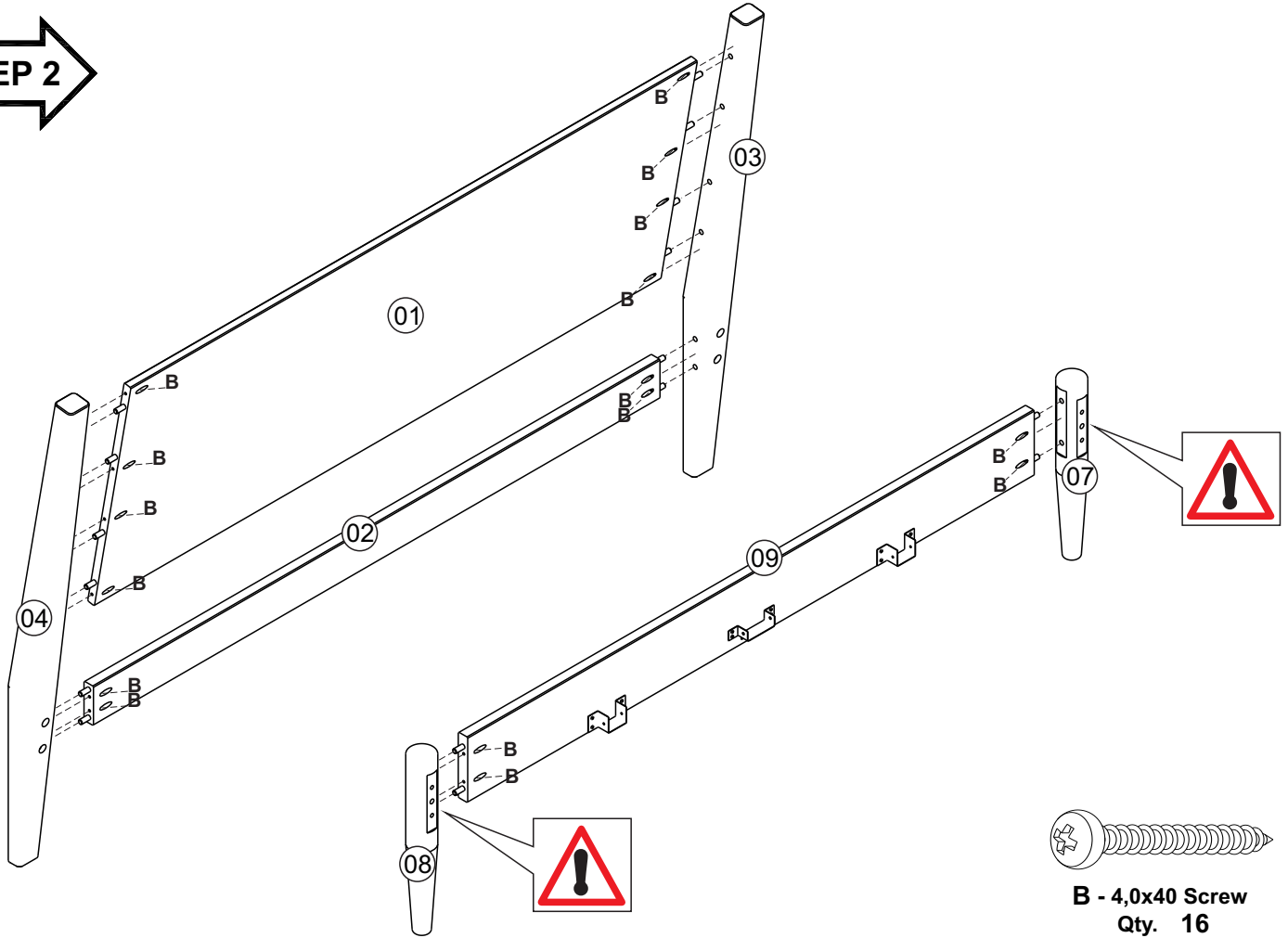
PARTS INCLUDED



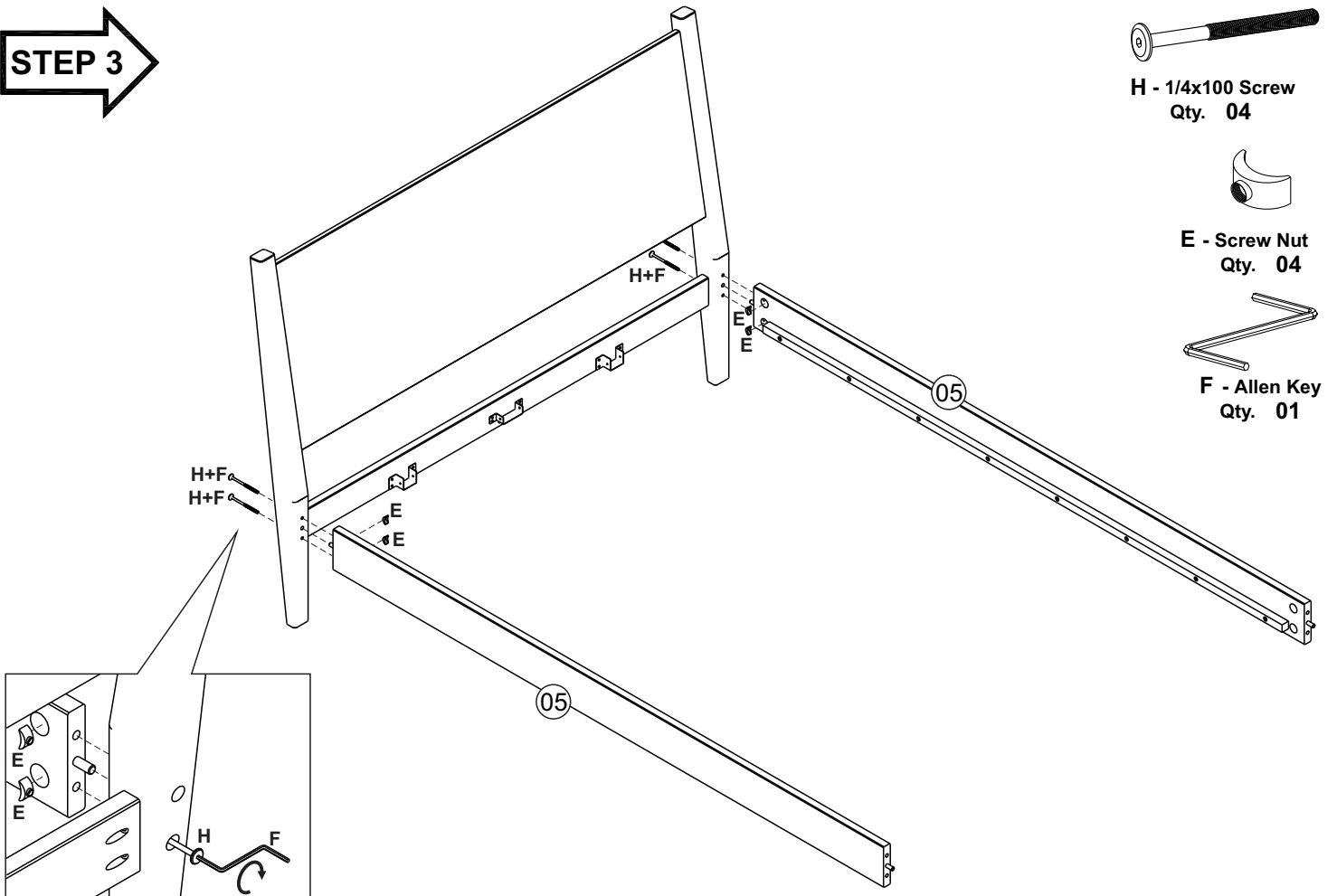
STEP 1



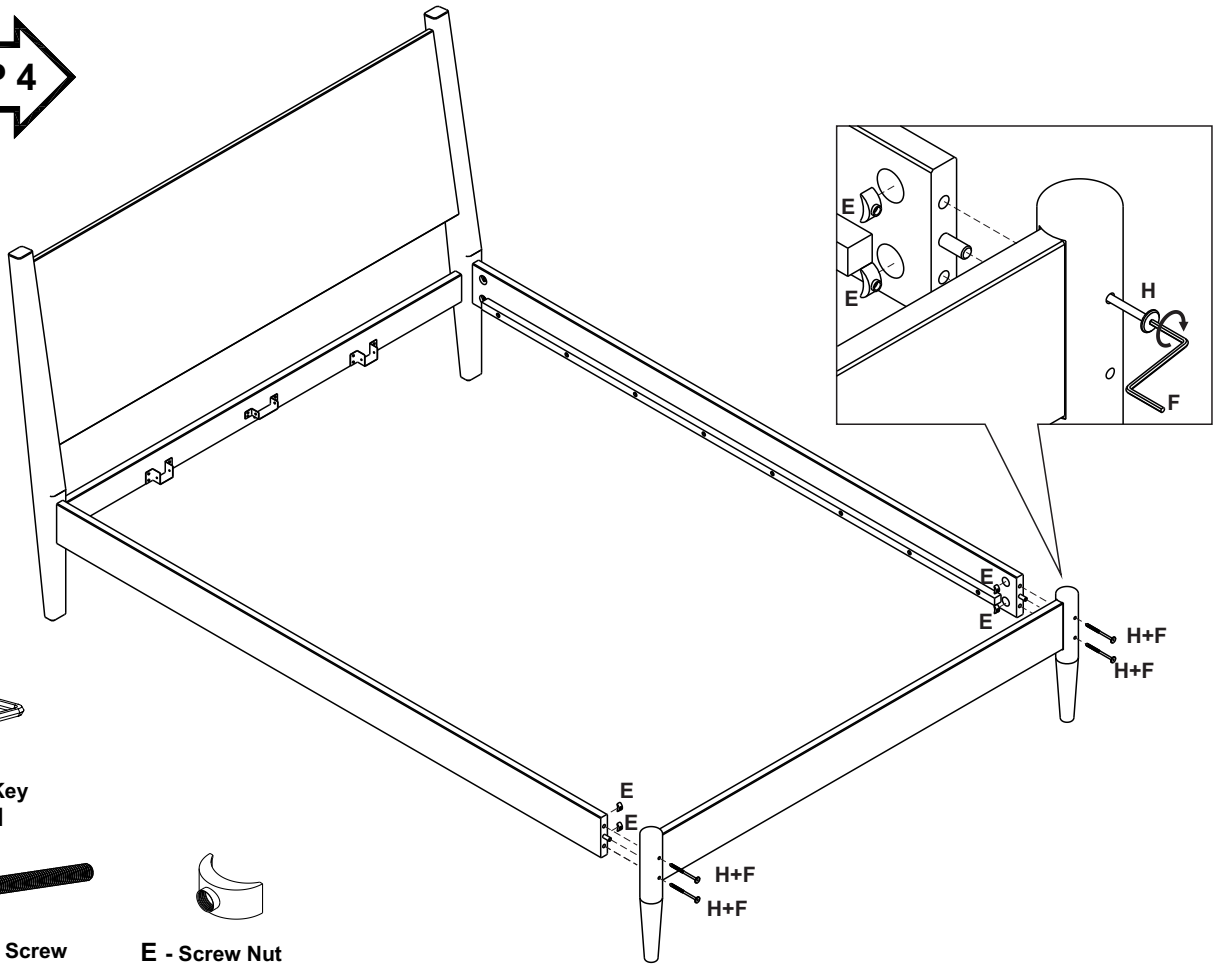
STEP 2



STEP 3



STEP 4

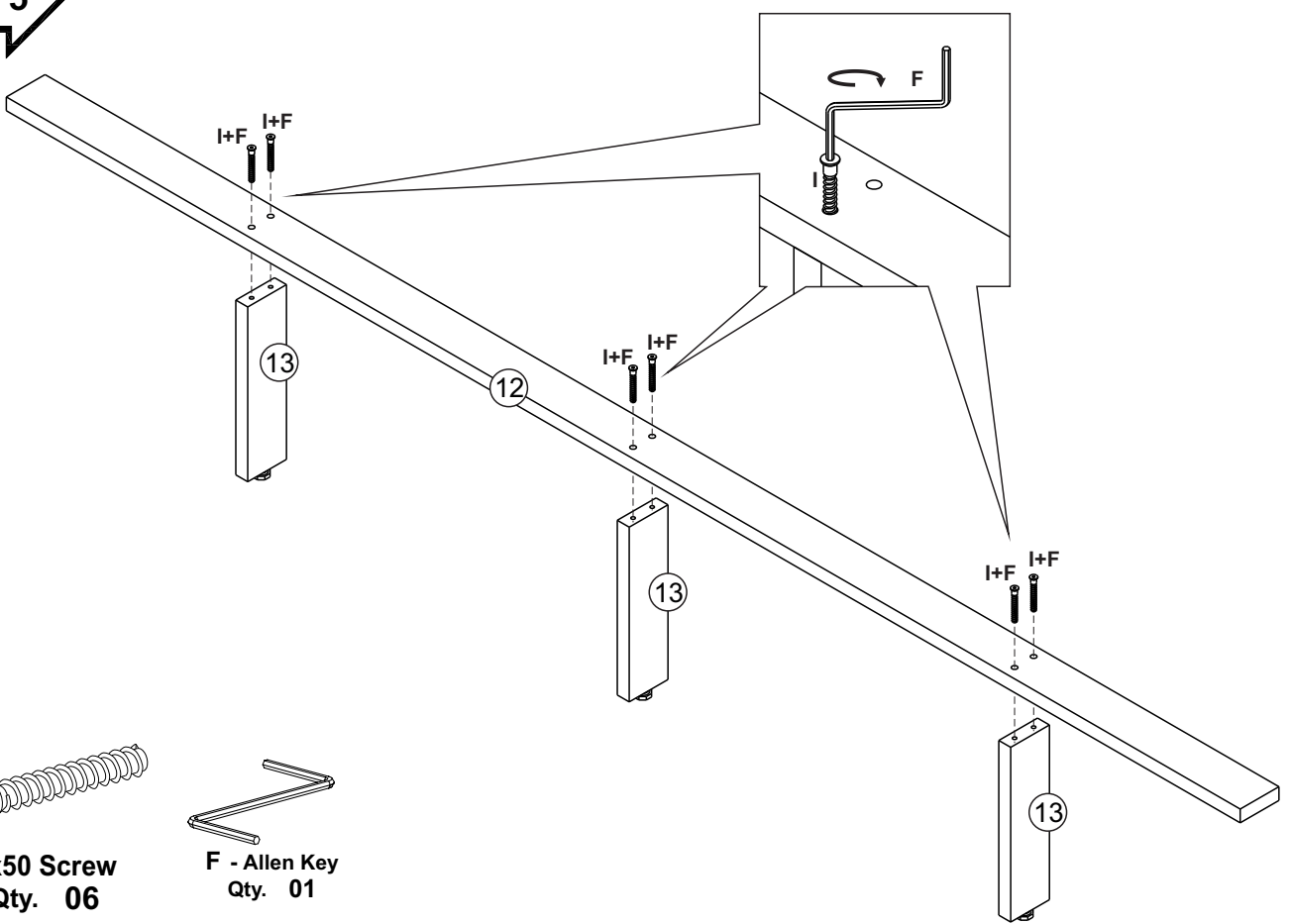


F - Allen Key
Qty. 01

H - 1/4x100 Screw
Qty. 04

E - Screw Nut
Qty. 04

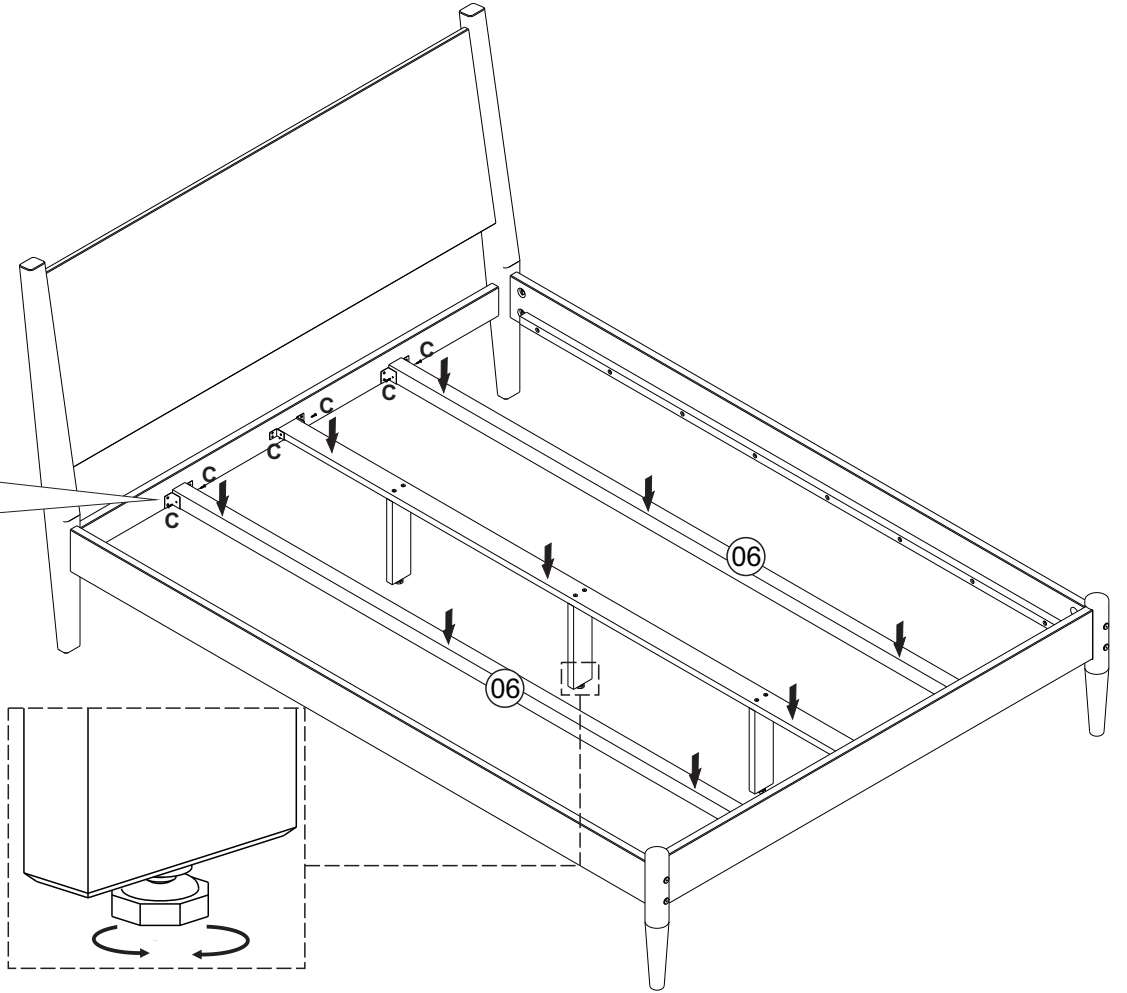
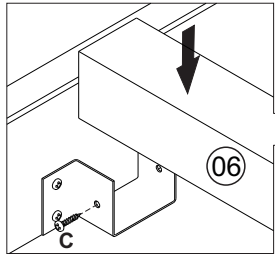
STEP 5



I - 7,0x50 Screw
Qty. 06

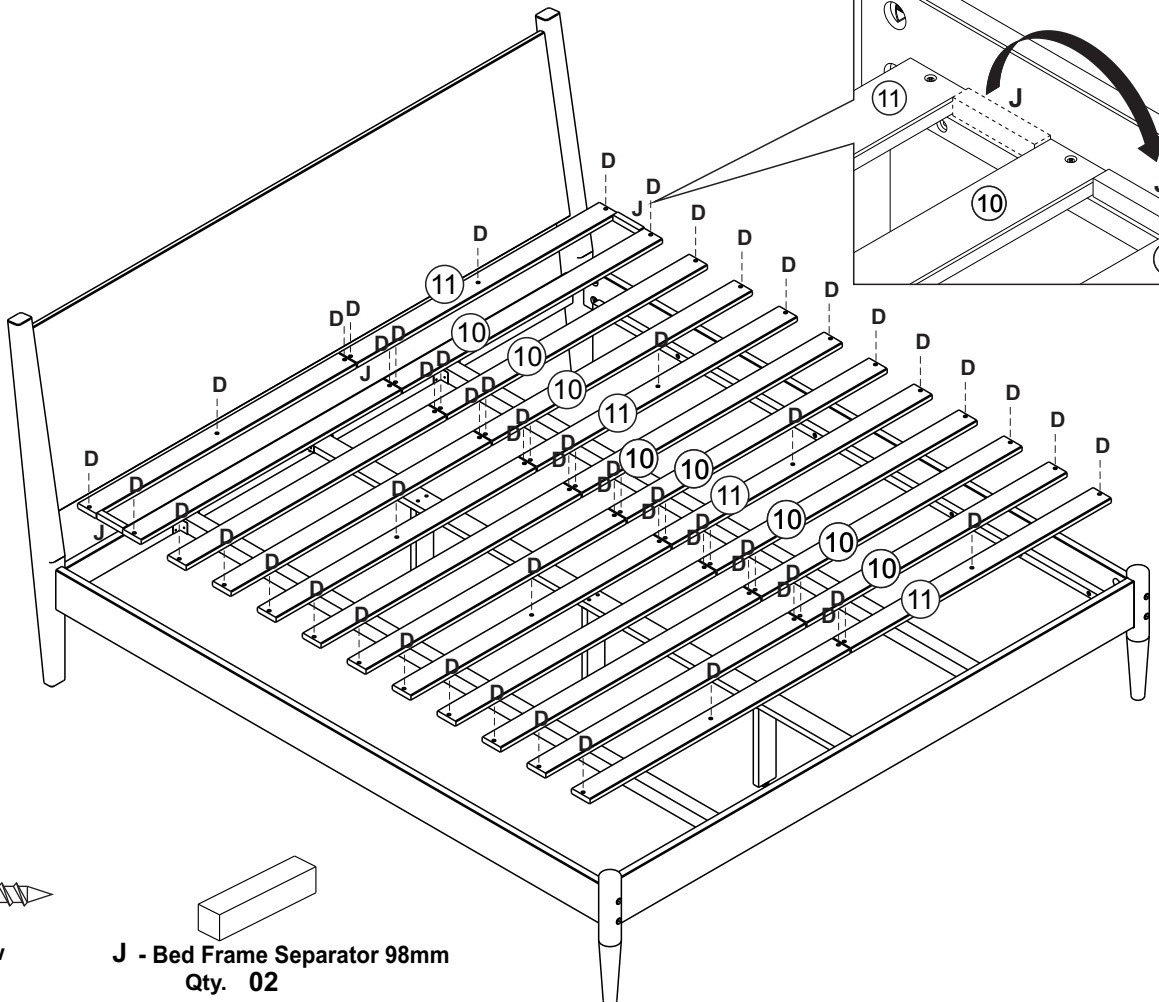
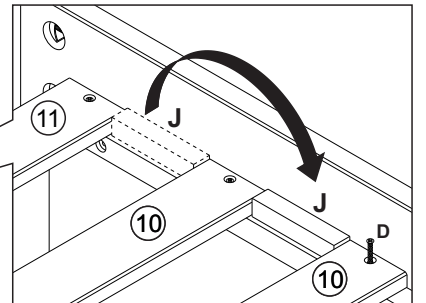
F - Allen Key
Qty. 01

STEP 6

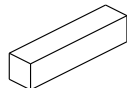


C - 3,5x16 Screw
Qty. 12

STEP 7



D - 3,5x30 Screw
Qty. 56



J - Bed Frame Separator 98mm
Qty. 02