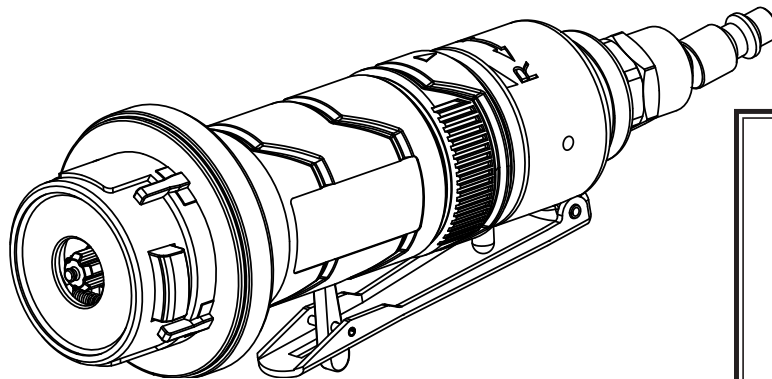




OPERATOR'S MANUAL
MANUEL D'UTILISATION
MANUAL DEL OPERADOR
AIR JobMax™ POWER HANDLE
POIGNÉE MOTORISÉE AIR JobMax™
MANGO DE CONTROL AIR JobMax™
R9020PN
SERIES C / SÉRIE C / SERIE C



To register your RIDGID product, please visit:
<http://register.RIDGID.com>

Pour enregistrer votre produit de RIDGID, s'il vous plaît la visite:
<http://register.RIDGID.com>

Para registrar su producto de RIDGID, por favor visita:
<http://register.RIDGID.com>

Your AIR JobMax Air™ power handle has been engineered and manufactured to our high standards for dependability, ease of operation, and operator safety. When properly cared for, it will give you years of rugged, trouble-free performance.

⚠ WARNING:

To reduce the risk of injury, the user must read and understand the operator's manual before using this product.

Thank you for your purchase.

SAVE THIS MANUAL FOR FUTURE REFERENCE

Cette AIR JobMax™ poignée motorisée a été conçue et fabriquée conformément à nos strictes normes de fiabilité, de simplicité d'emploi et de sécurité d'utilisation. Correctement entretenue, elle vous donnera des années de fonctionnement robuste et sans problème.

⚠ AVERTISSEMENT :

Pour réduire les risques de blessures, l'utilisateur doit lire et veiller à bien comprendre le manuel d'utilisation avant d'employer ce produit.

Merci d'avoir acheté un produit.

**CONSERVER CE MANUEL POUR
FUTURE RÉFÉRENCE**

Su AIR JobMax™ mango de control para la obra ha sido diseñado y fabricado de conformidad con nuestras estrictas normas para brindar fiabilidad, facilidad de uso y seguridad para el operador. Con el debido cuidado, le brindará muchos años de sólido y eficiente funcionamiento.

⚠ ADVERTENCIA:

Para reducir el riesgo de lesiones, el usuario debe leer y comprender el manual del operador antes de usar este producto.

Le agradecemos la compra de un producto.

**GUARDE ESTE MANUAL PARA
FUTURAS CONSULTAS**

TABLE OF CONTENTS

TABLE DES MATIÈRES / ÍNDICE DE CONTENIDO

■ Introduction	2
Introduction / Introducción	
■ General Safety Rules	3-4
Règles de sécurité relatives aux outils électriques / Advertencias de seguridad para herramientas eléctrica	3
■ Power Handle Safety Warnings	4
Avertissements de sécurité relatifs poignée de commande / Advertencias de seguridad para mango de aceleración	
■ Symbols	5
Symboles / Símbolos	
■ Glossary of Terms	6
Liste des définitions/Glosario de términos	
■ Features	6
Caractéristiques / Características	
■ Assembly	7
Assemblage / Armado	
■ Operation	7-8
Utilisation / Funcionamiento	
■ Maintenance	9
Entretien / Mantenimiento	
■ Troubleshooting	10
Dépannage / Corrección de problemas	
■ Warranty	11
Garantie / Garantía	
■ Figure numbers (illustrations)	12
Figure numéros (illustrations) / Figura numeras (ilustraciones)	
■ Parts Ordering and Service	Back Page
Commande de pièces et réparation / Pedidos de piezas y servicio	Page arrière / Pág. posterior

INTRODUCTION

INTRODUCCIÓN

This product has many features for making its use more pleasant and enjoyable. Safety, performance, and dependability have been given top priority in the design of this product making it easy to maintain and operate.

* * *

Ce produit offre de nombreuses fonctions destinées à rendre son utilisation plus plaisante et satisfaisante. Lors de la conception de ce produit, l'accent a été mis sur la sécurité, les performances et la fiabilité, afin d'en faire un outil facile à utiliser et à entretenir.

* * *

Este producto ofrece numerosas características para hacer más agradable y placentero su uso. En el diseño de este producto se ha conferido prioridad a la seguridad, el desempeño y la fiabilidad, por lo cual se facilita su manejo y mantenimiento.

GENERAL SAFETY RULES



DANGER:

READ AND UNDERSTAND TOOL LABELS AND MANUAL. Failure to follow warnings could result in DEATH or SERIOUS INJURY.

SAVE THESE INSTRUCTIONS

WORK AREA

- **Keep your work area clean and well lit.** Cluttered benches and dark areas invite accidents.
- **Do not operate power tools in explosive atmospheres, such as in the presence of flammable liquids, gases, or dust.** Power tools create sparks which may ignite the dust or fumes.
- **Keep bystanders, children, and visitors away while operating a power tool.** Distractions can cause you to lose control.

PERSONAL SAFETY

- **Eye protection which conforms to ANSI specifications and provides protection against flying particles both from the FRONT and SIDE should ALWAYS be worn by the operator and others in the work area when loading, operating or servicing this tool.** Eye protection is required to guard against flying fasteners and debris, which could cause severe eye injury.
- **The employer and/or user must ensure that proper eye protection is worn.** We recommend Wide Vision Safety Mask for use over eyeglasses or standard safety glasses that provide protection against flying particles both from the front and side. Always wear eye protection with side shields marked to comply with ANSI Z87.1.
- **Additional safety protection will be required in some environments.** For example, the working area may include exposure to noise level which can lead to hearing damage. The employer and user must ensure that any necessary hearing protection is provided and used by the operator and others in the work area. Some environments will require the use of head protection equipment. When required, the employer and user must ensure that head protection conforming to ANSI Z89.1-1997 is used.
- **Stay alert, watch what you are doing and use common sense when operating a power tool. Do not use tool while tired or under the influence of drugs, alcohol, or medication.** A moment of inattention while operating power tools may result in serious personal injury.
- **Dress properly. Do not wear loose clothing or jewelry. Contain long hair. Keep your hair, clothing, and gloves away from moving parts.** Loose clothes, jewelry, or long hair can be caught in moving parts.
- **Do not overreach. Keep proper footing and balance at all times.** Proper footing and balance enables better control of the tool in unexpected situations.

- **Use safety equipment. Always wear eye protection.** Dust mask, nonskid safety shoes, hard hat, or hearing protection must be used for appropriate conditions.
- **Do not use on a ladder or unstable support.** Stable footing on a solid surface enables better control of the tool in unexpected situations.
- **Avoid body contact with earthed or grounded surfaces such as pipes, radiators, ranges and refrigerators.** There is an increased risk of electric shock if your body is earthed or grounded.
- **Prevent unintentional starting. Ensure the switch is in the off-position before connecting the power tool to the air hose, or picking up or carrying the tool.** Carrying power tools with your finger on the switch or energizing power tools that have the switch on invites accidents.
- **Remove any adjusting key or wrench before turning the power tool on.** A wrench or a key left attached to a rotating part of the power tool may result in personal injury.
- **Disconnect the tool from the air hose before making any adjustments, changing accessories, or storing power tools.** Such preventive safety measures reduce the risk of starting the power tool accidentally.

TOOL USE AND CARE

- **Do not force tool. Use the correct tool for your application.** The correct tool will do the job better and safer at the rate for which it is designed.
- **Do not use tool if trigger does not actuate properly.** Any tool that cannot be controlled with the trigger is dangerous and must be repaired.
- **Store idle tools out of the reach of children and other untrained persons.** Tools are dangerous in the hands of untrained users.
- **Maintain tools with care.** Follow maintenance instructions. Properly maintained tools are easier to control.
- **Check for misalignment or binding of moving parts, breakage of parts, and any other condition that may affect the tool's operation. If damaged, have the tool serviced before using.** Many accidents are caused by poorly maintained tools.
- **Keep the tool and its handle dry, clean and free from oil and grease.** Always use a clean cloth when cleaning. Never use brake fluids, gasoline, petroleum-based products, or any strong solvents to clean your tool. Following this rule will reduce the risk of loss of control and deterioration of the enclosure plastic.

SERVICE

- **Have your power tool serviced by a qualified repair person using only identical replacement parts.** This will ensure that the safety of the power tool is maintained.

GENERAL SAFETY RULES

- **When servicing a power tool, use only identical replacement parts. Follow instructions in the Maintenance section of this manual.** Use of unauthorized

parts or failure to follow Maintenance instructions may create a risk of shock or injury.

POWER HANDLE SAFETY WARNINGS

- **Use auxiliary handle(s), if supplied with the tool.** Loss of control can cause personal injury.
- **Make sure the insulating drive gear cover is intact and installed on the gear when performing an operation where the cutting accessory may contact hidden wiring.** Cutting accessory contacting a “live” wire may make exposed metal parts of the power tool “live” and could give the operator an electric shock.
- **Know your pneumatic tool.** Read operator’s manual carefully. Learn its applications and limitations, as well as the specific potential hazards related to this tool. Following this rule will reduce the risk of electric shock, fire, or serious injury.
- **Always wear eye protection with side shields marked to comply with ANSI Z87.1.** Following this rule will reduce the risk of serious personal injury.
- **Protect your lungs.** Wear a face or dust mask if the operation is dusty. Following this rule will reduce the risk of serious personal injury.
- **Protect your hearing.** Wear hearing protection during extended periods of operation. Following this rule will reduce the risk of serious personal injury.
- **Make sure the hose is free of obstructions or snags.** Entangled or snarled hoses can cause loss of balance or footing and may become damaged.
- **Use the pneumatic tool only for the purpose for which it was designed.**
- **Never use this tool in a manner that could cause the accessory head to be directed toward anything other than the workpiece.**
- **Never carry the tool by the air hose.**
- **Do not alter or modify this tool from the original design or function without approval from the manufacturer.**
- **Always be aware that misuse and improper handling of this tool can cause injury to yourself and others.**
- **Never clamp or tape the trigger in the ON position.**
- **Never leave a tool unattended with the air hose attached.**
- **Do not operate this tool if it does not contain a legible warning label.**
- **Do not continue to use a tool that leaks air or does not function properly.**
- **Keep cutting tools sharp and clean.** Properly maintained cutting tools with sharp cutting edges are less likely to bind and are easier to control.

OPERATION

- **Use the power tool, accessories and tool bits etc. in accordance with these instructions, taking into account the working conditions and the work to be performed.** Use of the tool for operations different from those intended could result in a hazardous situation.
- **Do not carry the tool from place to place while connected to air supply.** Accidental actuation could result.
- **Always handle the tool with care:**
 - Respect the tool as a working implement.
 - Never engage in horseplay.
 - Never pull the trigger unless nose is directed toward the work.
 - Keep others a safe distance from the tool while tool is in operation as accidental actuation may occur, possibly causing injury.
- **Keep hands and body parts clear of immediate work area.** Be sure the workpiece is properly secured before operating the power handle and attachment.

AIR SUPPLY AND CONNECTIONS




- **Do not use oxygen, combustible gases or bottled gases as a power source for this tool as tool will explode, possibly causing injury or death.**
- **Do not use with an air compressor which can potentially exceed 200 psi as tool may burst, possibly causing injury.**
- **The connector on the tool must not hold pressure when air supply is disconnected.** If an incorrect fitting is used, the tool can remain charged with air after disconnecting and thus will be able to operate even after the air line is disconnected, possibly causing injury.
- **Always disconnect air supply:**
 - Before making adjustments
 - Before installing accessories
 - When servicing the tool
 - When tool is not in use
 - When moving to a different work area, as accidental actuation may occur, possibly causing injury.

SAVE THESE INSTRUCTIONS





- Refer to them frequently and use them to instruct others who may use this tool. If you loan someone this tool, loan them these instructions also.

SYMBOLS

The following signal words and meanings are intended to explain the levels of risk associated with this product.

SYMBOL	SIGNAL	MEANING
	DANGER:	Indicates an imminently hazardous situation, which, if not avoided, will result in death or serious injury.
	WARNING:	Indicates a potentially hazardous situation, which, if not avoided, could result in death or serious injury.
	CAUTION:	Indicates a potentially hazardous situation, which, if not avoided, may result in minor or moderate injury.
	CAUTION:	(Without Safety Alert Symbol) Indicates a situation that may result in property damage.

Some of the following symbols may be used on this tool. Please study them and learn their meaning. Proper interpretation of these symbols will allow you to operate the tool better and safer.

SYMBOL	NAME	DESIGNATION/EXPLANATION
	Safety Alert	Indicates a potential personal injury hazard
	Read Operator's Manual	To reduce the risk of injury, user must read and understand operator's manual before using this product.
	Eye Protection	Always wear eye protection with side shields marked to comply with ANSI Z87.1.
	Eye, Ear and Head Protection	Always wear eye protection with side shields marked to comply with ANSI Z87.1, along with hearing and head protection when needed.

CALIFORNIA PROPOSITION 65

WARNING:

This product and some dust created by power sanding, sawing, grinding, drilling, and other construction activities may contain chemicals, including lead, known to the State of California to cause cancer, birth defects, or other reproductive harm. **Wash hands after handling.**

Some examples of these chemicals are:

- lead from lead-based paints,
- crystalline silica from bricks and cement and other masonry products and,
- arsenic and chromium from chemically treated lumber.

Your risk from exposure to these chemicals varies, depending on how often you do this type of work. To reduce your exposure, work in a well-ventilated area and with approved safety equipment, such as dust masks that are specially designed to filter out microscopic particles.

GLOSSARY OF TERMS

Activate (operating controls)

To move an operating control so that it is in a position that allows the tool to be actuated or that satisfies one requirement for the tool to be actuated.

Actuate (tool)

To intentionally cause movement of the tool component(s).

Air consumption

For an air tool, the amount of air the tool uses at a particular operating pressure and duty cycle. Air consumption is measured in standard cubic feet per minute (SCFM).

Air inlet port

In an air tool, the opening to which the compressed air supply is connected, usually by means of a threaded fitting.

Duty cycle

The percentage of continuous use for an air tool.

Maximum air pressure

The maximum allowable pressure of the compressed air, as specified by the manufacturer, for operating a tool.

Trigger

A tool operating control activated by a tool operator's fingers.

FEATURES

PRODUCT SPECIFICATIONS

Operating Pressure.....90 psi max.

Air Consumption at 100% Duty Cycle
18.2 SCFM at 90 psi

Air Inlet 1/4 in. NPT

Switch..... Variable Speed

Weight1.5 lbs.

KNOW YOUR AIR JobMax™ POWER HANDLE

See Figure 1, page 12.

The safe use of this product requires an understanding of the information on the product and in this operator's manual as well as a knowledge of the project you are attempting. Before use of this product, familiarize yourself with all operating features and safety rules.

HEX GRIP™

Ergonomic handle with Hex Grip™ overmold improves comfort and grip.

IN-HANDLE AIR FILTER

The self-cleaning in-handle air filter helps keep debris out to extend the life of the tool.

INTERCHANGEABLE HEADS

A variety of interchangeable heads are available for use in different job applications.

QUICK-CONNECT SWIVEL CONNECTOR

The quick-connect swivel connector helps prevent hose tangles.

VARIABLE SPEED CONTROLS

Switch Trigger

The variable speed switch trigger delivers higher speed with increased trigger pressure.

Direction of Rotation Selector

The direction of rotation selector located on the body of the power handle changes the direction and speed of rotation of the accessory head.

ASSEMBLY

UNPACKING

This product has been shipped completely assembled.

- Carefully remove the product and any accessories from the box. Make sure that all items listed in the packing list are included.

WARNING:

Do not use this product if it is not completely assembled or if any parts appear to be missing or damaged. Use of a product that is not properly and completely assembled could result in serious personal injury.

-
- Inspect the product carefully to make sure no breakage or damage occurred during shipping.
 - Do not discard the packing material until you have carefully inspected and satisfactorily operated the product.
 - If any parts are damaged or missing, please call 1-866-539-1710 for assistance.

PACKING LIST

AIR JobMax™ Power Handle
Oil
Drive Gear Cover (2)
Operator's Manual

WARNING:

If any parts are damaged or missing do not operate this product until the parts are replaced. Use of this product with damaged or missing parts could result in serious personal injury.

WARNING:

Do not attempt to modify this product or create accessories not recommended for use with this product. Any such alteration or modification is misuse and could result in a hazardous condition leading to possible serious personal injury.

OPERATION

DANGER:

Do not use oxygen, combustible gases or bottled gases as a power source for this tool. The tool will explode and cause death or serious injury.

WARNING:

Do not allow familiarity with tools to make you careless. Remember that a careless fraction of a second is sufficient to inflict severe injury.

WARNING:

Always wear eye protection with side shields marked to comply with ANSI Z87.1. Failure to do so could result in objects being thrown into your eyes resulting in possible serious injury.

WARNING:

Disconnect the tool from the air supply before leaving the work area, moving the tool to another location, or handing the tool to another person. Failure to do so could result in serious personal injury.

APPLICATIONS

You may use this product for the purposes listed below:

- Numerous applications are available depending upon the accessory head installed

WARNING:

Always wear eye protection. Eye protection does not fit all operators in the same way. Make sure the eye protection chosen has side shields or provides protection from flying debris both from the front and sides.

PREPARING THE TOOL FOR USE

See Figure 2, page 12.

Under normal use conditions, the tool should be lubricated before connecting the tool to an air supply. Add air tool lubricant into the air fitting on the tool once daily with minimal use, or twice a day with heavy use. Only a few drops of oil at a time is necessary. Too much oil will only collect inside the tool and will be noticeable in the exhaust cycle.

Before connecting the tool, check the air compressor gauge to be sure it is set at 90 psi.

OPERATION

CONNECTING THE TOOL TO AN AIR SUPPLY

See Figure 3, page 12.

WARNING:

Disconnect the tool from the air supply before leaving the work area, moving the tool to another location, or handing the tool to another person. Failure to do so could result in serious personal injury.

DANGER:

Do not use oxygen, combustible gases or bottled gases as a power source for this tool. The tool will explode and cause death or serious injury.

This tool is designed to operate on clean, dry compressed air at a maximum regulated pressure of 90 psi. The correct air pressure is the lowest pressure that will do the job.

NOTE: Air pressure that is higher than 90 psi may damage the tool.

The tool and air hose must have a hose coupling that allows all pressure to be released from the tool when the coupling is disconnected.

WARNING:

Always use a coupling that discharges all the compressed air in the tool at the time the fitting or hose coupling is disconnected. Using a coupling that does not discharge the compressed air could cause unintended operation and serious personal injury.

WARNING:

Do not climb rigging or scaffolding while carrying a tool that is connected to an air hose. Doing so could result in serious personal injury.

Connect the tool to the air supply with a 1/4 in. female quick connector. A 3/8 in. female quick connector may be used in situations where a 1/4 in. supply line is not available. For maximum tool performance, a 3/8 in. supply line and fittings are required.

DIRECTION OF ROTATION SELECTOR

See Figure 1, page 12.

The variable speed direction of rotation selector, located on the body of the power handle, changes the direction and speed of rotation of the accessory head.

The selector has three positions: **Reverse (R)**, **Off (O)** and **Forward (F)**.

For forward movement, the selector should be positioned to the right of “O”. To select reverse movement, position the selector to the left of “O”.

Moving the selector closer to the **R** or the **F** increases the speed of the accessory head.

Setting the direction of rotation selector in the center at “O” (**Off** position) helps reduce the possibility of accidental starting when not in use.

NOTE: Always read the Operator’s Manual for the JobMax™ accessory head you plan to use before connecting the tool to an air supply.

WARNING:

To prevent gear damage, always allow the accessory head to come to a complete stop before changing the direction of rotation.

INSTALLING/CHANGING HEADS

See Figure 4, page 12.

- Disconnect the tool from the air supply.
- Place the desired head on the power handle and push until the latches click into position. Pull on the head to make sure it is securely installed before proceeding.

NOTE: The head can be installed at 90° angles to best suit your application needs.

- To remove an accessory head, depress the latches on both sides of the power handle with one hand while pulling the head away from the tool with your other hand.

OPERATING THE POWER HANDLE WITH AN ACCESSORY HEAD

See Figure 5, page 12.

- Install the accessory head for the desired application.
- Connect the tool to the air supply.
- Select “F” or “R” to operate the tool in Forward or Reverse.
- Press the trigger lock lever forward and depress the trigger to turn the tool **ON**.
- Release the switch trigger to turn the tool **OFF**.

MAINTENANCE

WARNING:

When servicing use only identical replacement parts. Use of any other parts could create a hazard or cause product damage.

WARNING:

Always wear eye protection with side shields marked to comply with ANSI Z87.1. Failure to do so could result in objects being thrown into your eyes resulting in possible serious injury.

WARNING:

Disconnect the tool from the air supply before performing maintenance. Failure to do so could result in serious personal injury.

GENERAL MAINTENANCE

Avoid using solvents when cleaning plastic parts. Most plastics are susceptible to damage from various types of commercial solvents and may be damaged by their use. Use clean cloths to remove dirt, dust, oil, grease, etc.

WARNING:

Do not at any time let brake fluids, gasoline, petroleum-based products, penetrating oils, etc., come in contact with plastic parts. Chemicals can damage, weaken or destroy plastic which could result in serious personal injury.

LUBRICATION

Frequent, but not excessive, lubrication is required for best performance. Oil for pneumatic fastening tools added through the air line connection will lubricate the internal parts. Do not use detergent oil or additives as these lubricants will cause accelerated wear to the seals and bumpers in the tool, resulting in poor tool performance and frequent tool maintenance.

COLD WEATHER OPERATION

For cold weather operation, near and below freezing, the moisture in the air line may freeze and prevent tool operation. We recommend the use of air tool lubricant or permanent antifreeze (ethylene glycol) as a cold weather lubricant.

CAUTION:

Do not store tools in a cold weather environment to prevent frost or ice formation on the tools' operating valves and mechanisms that may cause tool failure.

NOTE: Some commercial air line drying liquids are harmful to "O" rings and seals. Do not use these low temperature air dryers without checking compatibility.

AIR SUPPLY PRESSURE AND VOLUME

Air volume is as important as air pressure. The air volume supplied to the tool may be inadequate because of undersize fittings and hoses, or from the effects of dirt and water in the system. Restricted air flow will prevent the tool from receiving an adequate volume of air, even though the pressure reading is high. The results will be a slow operation or reduced driving power. Before evaluating tool problems for these symptoms, trace the air supply from the tool to the supply source for restrictive connectors, low points containing water and anything else that would prevent full volume flow of air to the tool.

REPLACING THE DRIVE GEAR COVER

See Figure 6, page 12.

If over time you notice the noise of the tool getting louder than usual, check the condition of the drive gear cover. If the cap is excessively damaged so that the metal gear is clearly visible, remove it and replace with the spare cap included.

Replace with part number 079069001031.

NOTE: To prevent damage to the tool and reduce the noise level while the tool is in use, do not operate without the drive gear cover installed.

TROUBLESHOOTING

PROBLEM	POSSIBLE CAUSE	SOLUTION
Tool is rotating slowly	Direction of rotation selector is in low speed position	Make sure to set selector to maximum speed setting
	Lack of lubrication	Oil tool
Excessive noise / vibration	Drive gear cover is missing from drive gear	Ensure no damage to teeth on drive gear and receiving head - place on new gear cover
	Drive gear cover is torn or damaged	Replace gear cover
Unit will not run	Direction of rotation selector is in "O" position	Make sure to set selector to maximum speed setting
	Trigger lock lever valve is jammed down inside the tool.	Take to service center

NOTE: FIGURES (ILLUSTRATIONS) START ON PAGE 12 AFTER FRENCH AND SPANISH LANGUAGE SECTIONS.

WARRANTY

RIDGID® PNEUMATIC TOOL 3 YEAR LIMITED SERVICE WARRANTY

Proof of purchase must be presented when requesting warranty service.

This product is manufactured by One World Technologies, Inc. The trademark is licensed from RIDGID, Inc. All warranty communications should be directed to One World Technologies, Inc., attn: RIDGID Pneumatic Tool Technical Service at (toll free) 1-866-539-1710.

90-DAY SATISFACTION GUARANTEE POLICY

During the first 90 days after the date of purchase, if you are dissatisfied with the performance of this RIDGID® Pneumatic Tool for any reason you may return the tool to the dealer from which it was purchased for a full refund or exchange. To receive a replacement tool you must present proof of purchase and return all original equipment packaged with the original product. The replacement tool will be covered by the limited warranty for the balance of the 3-YEAR service warranty period.

WHAT IS COVERED UNDER THE 3 YEAR LIMITED SERVICE WARRANTY

This warranty on RIDGID® Pneumatic Tools covers all defects in workmanship or materials and normal wear items for three years following the purchase date of the tool. Warranties for other RIDGID® products may vary.

HOW TO OBTAIN SERVICE

To obtain service for this RIDGID® tool you must return it; freight prepaid, or take it in to an authorized service center for RIDGID® branded pneumatic tools. You may obtain the location of the authorized service center nearest you by calling (toll free) 1-866-539-1710 or by logging on to the RIDGID® website at www.ridgid.com. When requesting warranty service, you must present the original dated sales receipt. The authorized service center will repair any faulty workmanship, and either repair or replace any part covered under the warranty, at our option, at no charge to you.

WHAT IS NOT COVERED

This warranty applies only to the original purchaser at retail and may not be transferred. This warranty only covers defects arising under normal usage and does not cover any malfunction, failure or defect resulting from misuse, abuse, neglect, alteration, modification or repair by other than an authorized service center for RIDGID® branded pneumatic tools. Consumable accessories provided with the tool such as, but not limited to, fasteners, oil, and safety glasses are not covered.

RIDGID, INC. AND ONE WORLD TECHNOLOGIES, INC. MAKE NO WARRANTIES, REPRESENTATIONS OR PROMISES AS TO THE QUALITY OR PERFORMANCE OF ITS PNEUMATIC TOOLS OTHER THAN THOSE SPECIFICALLY STATED IN THIS WARRANTY.

ADDITIONAL LIMITATIONS

To the extent permitted by applicable law, all implied warranties, including warranties of MERCHANTABILITY or FITNESS FOR A PARTICULAR PURPOSE, are disclaimed. Any implied warranties, including warranties of merchantability or fitness for a particular purpose, that cannot be disclaimed under state law are limited to three years from the date of purchase. One World Technologies, Inc. and RIDGID, Inc. are not responsible for direct, indirect, incidental or consequential damages. Some states do not allow limitations on how long an implied warranty lasts and/or do not allow the exclusion or limitation of incidental or consequential damages, so the above limitations may not apply to you. This warranty gives you specific legal rights, and you may also have other rights which vary from state to state.

One World Technologies, Inc.

P.O. Box 35, Hwy. 8

Pickens, SC 29671

RÈGLES DE SÉCURITÉ GÉNÉRALES



DANGER :

LIRE ET VEILLER À BIEN COMPRENDRE LES AUTOCOLLANTS APPOSÉS SUR L'OUTIL ET LE MANUEL. Le non respect de cet avertissement pourrait entraîner des blessures graves ou mortelles.

CONSERVER CES INSTRUCTIONS

LIEU DE TRAVAIL

- **Garder le lieu de travail propre et bien éclairé.** Les établis encombrés et les endroits sombres sont propices aux accidents.
- **Ne pas utiliser d'outils électriques dans des atmosphères explosives, par exemple en présence de liquides, gaz ou poussières inflammables.** Les outils électriques produisent des étincelles risquant d'enflammer les poussières ou vapeurs.
- **Garder les badauds, enfants et visiteurs à l'écart pendant l'utilisation d'un outil électrique.** Les distractions peuvent causer une perte de contrôle.

SÉCURITÉ PERSONNELLE

- **Lors du chargement, de l'utilisation ou de l'entretien de cet outil, l'opérateur et les personnes se trouvant sur le lieu de travail doivent TOUJOURS porter un dispositif oculaire à protection FRONTALE et LATÉRALE, conforme aux normes ANSI.** Une telle protection est requise, car les clous et débris projetés peuvent causer des lésions oculaires graves.
- **Il incombe à l'employeur et / ou l'utilisateur de veiller à ce qu'une protection oculaire adéquate soit utilisée.** Nous recommandons d'utiliser un masque facial à champ de vision élargi ou des lunettes de sécurité munies d'écrans latéraux protégeant des débris projetés, plutôt que des lunettes de vue. Toujours porter une protection oculaire avec écrans latéraux certifiée conforme à la norme ANSI Z87.1.
- **Des équipements de protection supplémentaires sont requis dans certains environnements.** Par exemple, le lieu de travail peut présenter un niveau de bruit susceptible d'entraîner des lésions auditives. Il incombe à l'opérateur et à l'utilisateur qu'une protection auditive soit fournie et utilisée par l'opérateur et les autres personnes se trouvant sur le lieu de travail. Certains environnements requièrent le port d'un casque. Il incombe à l'employeur et / ou l'utilisateur de veiller à ce qu'un casque conforme à la norme ANSI Z89.1-1997 soit utilisé.
- **Rester attentif, prêter attention au travail et faire preuve de bon sens lors de l'utilisation de tout outil électrique. Ne pas utiliser cet outil en état de fatigue ou sous l'influence d'alcool, de drogues ou de médicaments.** Un moment d'inattention pendant l'utilisation d'un outil électrique peut entraîner des blessures graves.
- **Porter une tenue appropriée. Ne porter ni vêtements amples, ni bijoux. Attacher ou couvrir les cheveux longs. Garder les cheveux, les vêtements et les gants à l'écart des pièces en mouvement.** Les vêtements amples, bijoux et cheveux longs peuvent se prendre dans les pièces en mouvement.
- **Ne pas travailler hors de portée. Toujours se tenir bien campé et en équilibre.** Une bonne tenue et un bon équilibre permettent de mieux contrôler l'outil en cas de situation imprévue.
- **Utiliser l'équipement de sécurité. Toujours porter une protection oculaire.** Suivant les conditions, le port d'un masque antipoussière, de chaussures de sécurité, d'un casque ou d'une protection auditive est recommandé.

- **Ne pas utiliser l'outil sur une échelle ou un support instable.** Une bonne tenue et un bon équilibre permettent de mieux contrôler l'outil en cas de situation imprévue.
- **Éviter tout contact du corps avec des surfaces mises à la terre, telles que tuyaux, radiateurs, cuisinières et réfrigérateurs.** Le risque de choc électrique est accru lorsque le corps est mis à la terre.
- **Éviter les démarrages accidentels. S'assurer que l'interrupteur est à la position OFF (arrêt) avant de raccorder le tuyau d'air à l'outil électrique, ou lors de son ramassage ou transport.** Porter un outil avec le doigt sur son commutateur ou brancher un outil dont le commutateur est en position de marche peut causer un accident.
- **Retirer les clés de réglage avant de mettre l'outil en marche.** Une clé laissée sur une pièce rotative de l'outil peut causer des blessures.
- **Déconnecter le tuyau d'air de l'outil électrique avant d'effectuer des réglages, de changer d'accessoire ou de ranger l'outil.** Ces mesures de sécurité préventives réduisent les risques de démarrage accidentel de l'outil.

UTILISATION ET ENTRETIEN DE L'OUTIL

- **Ne pas forcer l'outil. Utiliser un outil approprié pour le travail.** Un outil approprié exécutera le travail mieux et de façon moins dangereuse s'il fonctionne dans les limites prévues.
- **Ne pas utiliser l'outil si la gâchette ne fonctionne pas correctement.** Tout outil qui ne peut pas être contrôlé par la gâchette est dangereux et doit être réparé.
- **Ranger les outils non utilisés hors de portée des enfants et des personnes n'ayant pas reçu des instructions adéquates.** Dans les mains de personnes n'ayant pas reçu des instructions adéquates, les outils sont dangereux.
- **Entretenir soigneusement les outils.** Respecter toutes les instructions d'entretien. Les outils correctement entretenus sont plus faciles à contrôler.
- **Vérifier qu'aucune pièce mobile n'est mal alignée, grippée ou brisée et s'assurer qu'aucun autre problème risque d'affecter le bon fonctionnement de l'outil. En cas de dommages, faire réparer l'outil avant de l'utiliser de nouveau.** Beaucoup d'accidents sont causés par des outils mal entretenus.
- **Garder l'outil et sa poignée secs, propres et exempts d'huile ou de graisse.** Toujours utiliser un chiffon propre pour le nettoyage. Ne jamais utiliser de liquide de freins, d'essence, de produits à base de pétrole ou de solvants forts pour nettoyer l'outil. Le respect de cette règle réduira les risques de perte de contrôle et d'endommagement du boîtier en plastique.

DÉPANNAGE

- **Le dépannage des outils doit être confié exclusivement à un personnel qualifié.** Les réparations ou entretiens effectués par des personnes non qualifiées présentent des risques de blessures.
- **Utiliser exclusivement des pièces identiques à celles d'origine pour les réparations. Se conformer aux instructions de la section Entretien de ce manuel.** L'usage de pièces non autorisées ou le non respect des instructions d'entretien peut présenter des risques de blessures.

AVERTISSEMENTS DE SÉCURITÉ RELATIFS POIGNÉE MOTORISÉE

- **Utiliser la poignée auxiliaire(s), si elle est fournie avec l'outil.** La perte de contrôle peut causer des blessures.
- **S'assurer que le capuchon du pignon de commande est intact et installé sur l'engrenage avant d'effectuer une opération alors que l'accessoire de coupe peut toucher un fil camouflé.** Le contact d'un accessoire de coupe avec un fil sous tension expose les pièces métalliques de l'outil et peut électrocuter l'utilisateur.
- **Apprendre à connaître l'outil.** Lire attentivement le manuel d'utilisation. Apprendre les applications et les limites de l'outil, ainsi que les risques spécifiques relatifs à son utilisation. Le respect de cette règle réduira les risques de choc électrique, d'incendie et de blessures graves.
- **Toujours porter une protection oculaire avec écrans latéraux certifiée conforme à la norme ANSI Z87.1.** Si cette précaution n'est pas prise, des objets peuvent être projetés dans les yeux et causer des lésions graves.
- **Protection respiratoire.** Porter un masque facial ou respiratoire si le travail produit de la poussière. Le respect de cette règle réduira les risques de blessures graves.
- **Protection auditive.** Porter une protection auditive durant les périodes d'utilisation prolongée. Le respect de cette règle réduira les risques de blessures graves.
- **S'assurer que le flexible n'est ni bloqué, ni accroché.** Un flexible emmêlé ou entortillé peut causer une perte d'équilibre et être endommagé.
- **Cet outil pneumatique ne doit être utilisé que pour les applications pour lesquelles il est conçu.**
- **Ne jamais utiliser cet outil de façon à ce qu'un clou puisse être dirigé vers quoi que ce soit d'autre que la pièce de travail.**
- **Ne jamais transporter l'outil par le flexible d'air.**
- **Ne pas altérer ou modifier cet outil, ni l'utiliser pour des fonctions autres que celles prévues, sans autorisation préalable de son fabricant.**
- **Ne jamais oublier qu'un usage incorrect ou abusif de cet outil peut mettre l'opérateur et les autres personnes présentes en danger.**
- **Ne jamais bloquer la gâchette ou le contact de la cloueuse en position de marche (ON).**
- **Ne jamais laisser l'outil sans surveillance avec le flexible d'air branché.**
- **Ne pas utiliser cet outil s'il ne comporte pas d'autocollant d'avertissement.**
- **Ne pas utiliser un outil qui présente des fuites d'air ou ne fonctionne pas correctement.**
- **Garder les outils bien affûtés et propres.** Des outils correctement entretenus et dont les tranchants sont bien affûtés risquent moins de se bloquer et sont plus faciles à contrôler.
- **Toujours manipuler l'outil avec précaution :**
 - Respecter cet outil comme tout équipement de travail.
 - Ne pas l'utiliser comme un jouet.
 - Ne jamais appuyer sur la gâchette si la tête de l'outil n'est pas dirigée vers la pièce à travailler. Ne jamais appuyer sur la gâchette si la tête de l'outil n'est pas dirigée vers la pièce à clouer.
 - Garder toutes les personnes présentes à distance sûre de l'outil, car un éventuel déclenchement accidentel pourrait entraîner des blessures.
- **Garder les mains et toutes les parties du corps à l'écart du point à clouer.** S'assurer que la pièce de travail est correctement sécurisée avant de faire fonctionner la poignée motorisée et l'accessoire.

ALIMENTATION ET CONNEXIONS PNEUMATIQUES

- **Ne pas utiliser de l'oxygène ou des gaz combustibles ou en bouteille pour alimenter l'outil, car celui-ci pourrait exploser et infliger des blessures graves ou mortelles.**
- **Ne pas utiliser un compresseur d'air pouvant produire une pression de plus de 200 psi car l'outil pourrait exploser et infliger des blessures.**
- **Le connecteur utilisé sur l'outil ne doit pas maintenir la pression une fois que l'alimentation pneumatique a été débranchée.** Si un adaptateur incorrect est utilisé, l'outil peut conserver sa charge d'air et l'outil peut encore fonctionner même si le flexible d'air est débranché et peut possiblement infliger des blessures.
- **Toujours débrancher l'alimentation pneumatique :**
 - Avant d'effectuer des réglages
 - Avant d'installer les accessoires
 - Lors de l'entretien de l'outil
 - Lorsque l'outil n'est pas en usage
 - Avant de se déplacer avec l'outil, car un déclenchement accidentel pourrait entraîner des blessures

CONSERVER CES INSTRUCTIONS




- Les consulter fréquemment et les utiliser pour instruire les autres utilisateurs éventuels. Si cet outil est prêté, il doit être accompagné de ces instructions.

UTILISATION






- **Utiliser l'outil, les accessoires et embouts, etc. conformément à ces instructions pour les applications pour lesquelles ils sont conçus, en tenant compte des conditions et du type de travail à exécuter.** L'usage d'un outil motorisé pour des applications pour lesquelles il n'est pas conçu peut être dangereux.
- **Ne pas transporter cet outil d'un endroit à l'autre alors que le flexible d'air est connecté.** Un déclenchement accidentel peut survenir.

SYMBOLES

Les termes de mise en garde suivants et leur signification ont pour but d'expliquer le degré de risques associé à l'utilisation de ce produit.

SYMBOLE	SIGNAL	SIGNIFICATION
	DANGER :	Indique une situation extrêmement dangereuse qui, si elle n'est pas évitée, aura pour conséquences des blessures graves ou mortelles.
	AVERTISSEMENT :	Indique une situation potentiellement dangereuse qui, si elle n'est pas évitée, pourrait entraîner des blessures graves ou mortelles.
	ATTENTION :	Indique une situation potentiellement dangereuse qui, si elle n'est pas évitée, pourrait entraîner des blessures légères ou de gravité modérée.
	ATTENTION :	(Sans symbole d'alerte de sécurité) Indique une situation pouvant entraîner des dommages matériels.

Certains des symboles ci-dessous peuvent être utilisés sur l'outil. Veiller à les étudier et à apprendre leur signification. Une interprétation correcte de ces symboles permettra d'utiliser l'outil plus efficacement et de réduire les risques.

SYMBOL	NAME	DESIGNATION/EXPLANATION
	Symbole d'alerte de sécurité	Indique un risque de blessure potentiel.
	Lire le manuel d'utilisation	Pour réduire les risques de blessures, l'utilisateur doit lire et veiller à bien comprendre le manuel d'utilisation avant d'utiliser ce produit.
	Protection oculaire	Toujours porter une protection oculaire avec écrans latéraux certifiée conforme à la norme ANSI Z87.1.
	Protection oculaire, protection de l'ouïe et casque	Toujours porter une protection oculaire avec écrans latéraux certifiée conforme à la norme ANSI Z87.1, avec protection auditive et un casque lorsque nécessaire.
	Symbole mains à l'écart	Le non-respect de cette mise en garde peut entraîner des blessures graves.

PROPOSITION 65 DE LA CALIFORNIE

AVERTISSEMENT :

Ce produit et la poussière dégagée lors du ponçage, sciage, meulage, perçage de certains matériaux et lors d'autres opérations de construction contient des produits chimiques, notamment du plomb, identifiés par l'état de Californie comme causes de cancer, des malformations congénitales ou des lésions de l'appareil reproducteur. **Bien se laver les mains après toute manipulation.**

Voici certains exemples de ces produits chimiques :

- le plomb contenu dans la peinture au plomb,
- la silice cristalline contenue dans les briques, le béton et d'autres produits de maçonnerie, ainsi que
- l'arsenic et le chrome contenus dans le bois de construction traité par produits chimiques.

Le risque présenté par l'exposition à ces produits varie en fonction de la fréquence de ce type de travail. Pour réduire l'exposition, travailler dans un endroit bien aéré et utiliser des équipements de sécurité approuvés tels que masques antipoussière spécialement conçus pour filtrer les particules microscopiques.

GLOSSAIRE DES TERMES

Activer (commandes de l'outil)

Mettre une commande sur une position déclenchant ou permettant de déclencher l'outil

Actionner (outil)

Pour actionner intentionnellement le mouvement des composantes de l'outil.

Consommation d'air

Pour un outil pneumatique, il s'agit de la quantité d'air utilisée par l'outil à une pression de fonctionnement précise et du cycle de service. La consommation d'air est mesurée en pied cube par minute (SCFM).

Orifice d'entrée d'air

Sur un outil pneumatique, l'ouverture sur laquelle la source d'air est connectée, généralement au moyen d'un raccord fileté.

Cycle de service

Le pourcentage d'utilisation continue d'un outil pneumatique.

Pression d'air maximum

Pression maximale admissible de l'air comprimé, telle que spécifiée par le fabricant, pour alimenter un outil.

Gâchette

Commande de l'outil actionnée par le doigt de l'opérateur.

CARACTÉRISTIQUES

FICHE TECHNIQUE

Pression de service90 psi max.
Consommation d'air à un cycle
de service de 100 % 18,2 SCFM à 90 psi

Entrée d'air 1/4 po NPT
Commutateur Vitesse variable
Poids 0,68 kg (1,5 lb)

FAMILIARÍCESE CON LA POIGNÉE MOTORISÉE AIR JobMax™

Voir la figure 1, page 12.

La sécurité d'utilisation de ce produit exige la compréhension des informations apposées sur l'outil et contenues dans ce manuel d'utilisation, ainsi que la connaissance du travail à exécuter. Avant d'utiliser ce produit, se familiariser avec toutes ses fonctions et règles de sécurité.

HEX GRIP™

Poignée ergonomique avec surmoulage Hex Grip™ pour un plus grand confort et une meilleure prise.

FILTRE À AIR DANS LA POIGNÉE

Ce filtre autonettoyant empêche la pénétration de débris et prolonge la vie utile de l'outil.

TÊTES INTERCHANGEABLES

Plusieurs têtes interchangeable sont offertes pour différents types de travaux.

CONNECTEUR RAPIDE PIVOTANT

Ce connecteur aide à empêcher les entortillements du flexible.

COMMANDES DE VITESSE VARIABLE

Gâchette

Plus la pression exercée sur la gâchette est forte, plus la vitesse est élevée.

Sélecteur de sens de rotation

Le sélecteur de sens de rotation situé sur le corps de la poignée motorisée modifie la direction et la vitesse de rotation de la tête.

ASSEMBLAGE

DÉBALLAGE

Ce produit a été expédié complètement assemblé.

- Avec précaution, sortir l'outil et les accessoires de la boîte. S'assurer que toutes les pièces figurant sur la liste de contrôle sont incluses.

AVERTISSEMENT :

Ne pas utiliser le produit s'il n'est pas complètement assemblé ou si des pièces semblent manquantes ou endommagées. Le fait d'utiliser un produit assemblé de façon inadéquate ou incomplète peut entraîner des blessures graves.

-
- Examiner soigneusement l'outil pour s'assurer que rien n'a été brisé ou endommagé en cours de transport.
 - Ne pas jeter les matériaux d'emballage avant d'avoir soigneusement examiné l'outil et avoir vérifié qu'il fonctionne correctement.
 - Si des pièces sont manquantes ou endommagées, appeler le 1-866-539-1710.

LISTE DE CONTRÔLE D'EXPÉDITION

AIR JobMax™ poignée motorisée

Huile

Couvercle d'engrenage d'entraînement (2)

Manuel d'utilisation

AVERTISSEMENT :

Si des pièces manquent ou sont endommagées, ne pas utiliser cet outil avant qu'elles aient été remplacées. Le fait d'utiliser ce produit même s'il contient des pièces endommagées ou s'il lui manque des pièces peut entraîner des blessures graves.

AVERTISSEMENT :

Ne pas essayer de modifier cet outil ou de créer des accessoires non recommandés pour l'outil. De telles altérations ou modifications sont considérées comme un usage abusif et peuvent créer des conditions dangereuses, risquant d'entraîner des blessures graves.

UTILISATION

DANGER :

Ne pas utiliser de l'oxygène ou des gaz combustibles ou en bouteille pour alimenter l'outil. L'outil exploserait, causant des blessures graves ou mortelles.

AVERTISSEMENT :

Ne pas laisser la familiarité avec les outils faire oublier la prudence. Ne pas oublier qu'une fraction de seconde d'inattention peut entraîner des blessures graves.

AVERTISSEMENT :

Toujours porter une protection oculaire avec écrans latéraux certifiée conforme à la norme ANSI Z87.1. Si cette précaution n'est pas prise, des objets peuvent être projetés dans les yeux et causer des lésions graves.

AVERTISSEMENT :

Débrancher l'outil de la source d'air avant de quitter le lieu de travail, de transporter l'outil à un autre endroit ou de le passer à une autre personne. Ne pas prendre cette précaution peut entraîner des blessures graves.

APPLICATIONS

Cet outil peut être utilisé pour la application ci-dessous :

- Il est possible d'effectuer de nombreuses applications, selon la tête d'accessoire installée

AVERTISSEMENT :

Toujours porter une protection oculaire. Les protections oculaires ne s'ajustent pas de la même façon sur toutes les personnes. Veiller à ce que le dispositif oculaire soit doté d'écrans latéraux protégeant des débris projetés sur le devant et les côtés.

UTILISATION

PRÉPARATION DE L'OUTIL POUR LE TRAVAIL

Voir la figure 2, page 12.

Dans des conditions d'utilisation normales, l'outil doit être lubrifié avant d'être raccordé à l'alimentation pneumatique. Lubrifier le raccord d'air de l'outil une fois par jour si l'utilisation est minimale ou deux fois, si l'utilisation est intensive. Quelques gouttes suffisent à chaque lubrification. Une quantité excessive d'huile s'accumulerait à l'intérieur de l'outil et serait visible lors du cycle d'échappement.

Avant de brancher l'outil, s'assurer que le manomètre du compresseur d'air indique une pression correcte de 90 psi.

RACCORDEMENT DE L'OUTIL À UNE SOURCE D'AIR

Voir la figure 3, page 12.

AVERTISSEMENT :

Débrancher l'outil de la source d'air avant de quitter le lieu de travail, de transporter l'outil à un autre endroit ou de le passer à une autre personne. Ne pas prendre cette précaution peut entraîner des blessures graves.

DANGER :

Ne pas utiliser de l'oxygène ou des gaz combustibles ou en bouteille pour alimenter l'outil. L'outil exploserait, causant des blessures graves ou mortelles.

Cet outil est conçu pour fonctionner avec de l'air comprimé sec et propre et à une pression régulée maximale de 90 psi. La pression d'air correcte est la plus basse permettant d'exécuter le travail.

NOTE : Une pression d'air de plus de 90 psi peut endommager l'outil.

L'outil et le flexible d'air doivent être connectés par un raccord permettant de relâcher toute la pression de l'outil lors du débranchement.

AVERTISSEMENT :

Toujours utiliser un raccord déchargeant toute la pression de l'outil lorsque le flexible est déconnecté. L'usage d'un raccord ne relâchant pas l'air comprimé pourrait causer un déclenchement accidentel susceptible d'entraîner des blessures graves.

AVERTISSEMENT :

Ne pas monter sur une échelle ou un échafaudage et transportant un outil connecté au flexible d'air. Cela pourrait entraîner des blessures graves.

Raccorder l'outil à la source d'air au moyen d'un raccord rapide femelle de 1/4 po. Un raccord rapide femelle de 3/8 po peut au besoin être utilisé si un flexible de 1/4 po n'est pas disponible. Toutefois, pour un fonctionnement optimal de l'outil, un flexible et un raccord de 3/8 po doivent être utilisés.

SÉLECTEUR DE SENS DE ROTATION

Voir la figure 1, page 12.

Le sélecteur de sens de rotation de la vitesse variable, situé sur le corps de la poignée motorisée, modifie la direction et la vitesse de rotation de la tête.

Ce sélecteur est doté de trois positions : **Marche arrière (R), arrêt (O) et marche avant (F)**.

Pour un mouvement vers l'avant, le sélecteur doit être positionné à la droite du « O ». Positionner le sélecteur à gauche du « O » pour un mouvement vers l'arrière.

Le déplacement du sélecteur près du « R » ou du « F » augmente la vitesse de la tête.

Régler le sélecteur de sens de rotation au centre du « O » (position d'arrêt) permet de réduire la possibilité d'un démarrage accidentel lorsque l'appareil n'est pas utilisé.

NOTE : Toujours, lire le manuel d'utilisation de l'accessoire JobMax™ avant de raccorder l'outil à la source d'alimentation d'air.

WARNING:

Pour éviter des dommages aux engrenages, toujours laisser la tête parvenir à l'arrêt complet avant de changer le sens de rotation.

INSTALLATION/CHANGEMENT DES TÊTES

Voir la figure 4, page 12.

- Débrancher l'outil de la source d'air.
- Placer la tête désirée sur la poignée motorisée et appuyer jusqu'à ce que les loquets s'enclenchent en place. Tirer sur la tête pour s'assurer qu'elle est fixée solidement avant de commencer l'opération.

NOTE : La tête peut être installée à des angles de 90° afin de s'adapter à l'application visée.

- Pour retirer une tête, appuyer sur les attaches situées des deux côtés de l'outil à l'aide d'une seule main, tout en retirant la tête de l'outil avec l'autre main.

FONCTIONNEMENT D'UNE POIGNÉE MOTORISÉE ÉQUIPÉE D'UNE TÊTE

Voir la figure 5, page 12.

- Installer la tête selon l'application désirée.
- Brancher l'outil sur la source d'air.
- Sélectionner « F » ou « R » pour faire fonctionner l'outil vers l'avant ou en marche arrière.
- Appuyer sur la gâchette du levier de blocage et appuyer sur la gâchette pour **DÉMARRER** l'outil.
- Appuyer sur la gâchette pour **ARRÊTER** l'outil.

ENTRETIEN

AVERTISSEMENT :

Utiliser exclusivement des pièces d'origine pour les réparations. L'usage de toute autre pièce peut créer une situation dangereuse ou endommager l'outil.

AVERTISSEMENT :

Toujours porter une protection oculaire avec écrans latéraux certifiée conforme à la norme ANSI Z87.1. Si cette précaution n'est pas prise, des objets peuvent être projetés dans les yeux et causer des lésions graves.

ENTRETIEN GÉNÉRAL

Éviter d'utiliser des solvants pour le nettoyage des pièces en plastique. La plupart des matières plastiques peuvent être endommagées par divers types de solvants du commerce. Utiliser un chiffon propre pour éliminer la saleté, la poussière, l'huile, la graisse, etc.

AVERTISSEMENT :

Ne jamais laisser de liquides tels que le fluide de freins, l'essence, les produits à base de pétrole, les huiles pénétrantes, etc., entrer en contact avec les pièces en plastique. Les produits chimiques peuvent endommager, affaiblir ou détruire le plastique, ce qui peut entraîner des blessures graves.

LUBRIFICATION

Une lubrification fréquente, mais pas excessive, est nécessaire pour obtenir un fonctionnement optimal. De l'huile pour outils pneumatiques, placée dans le connecteur de flexible d'air, lubrifiera les pièces internes. Ne pas

utiliser une huile détergente ou un additif, car ces produits accélèreraient l'usure des joints et butoirs de l'outil, nuisant à son fonctionnement et exigeant des entretiens fréquents.

UTILISATION PAR TEMPS FROID

Lorsque l'outil est utilisé par temps froid, l'humidité contenue dans le flexible d'air peut geler, empêchant le fonctionnement de l'outil. Par temps froid, nous recommandons d'utiliser un lubrifiant pour outils pneumatiques ou un antigel permanent (glycoléthylène).

ATTENTION :

Ne pas entreposer les outils dans des endroits froids pour éviter la formation de givre ou de glace sur les soupapes et mécanismes, afin de ne pas risquer une défaillance de l'outil.

NOTE : Certains produits d'assèchement de flexibles d'air sont nuisibles aux joints et joints toriques. Ne pas utiliser de tels produits sans s'être assuré de leur compatibilité.

PRESSION ET VOLUME D'AIR

Le volume d'air est aussi important que la pression. Le volume d'air parvenant à l'outil peut être insuffisant, du fait de flexibles et raccords de trop petit diamètre ou de la présence de saleté et d'eau dans le système. L'obstruction du circuit d'air empêche l'outil de recevoir un volume suffisant, même si l'indication de pression du manomètre est élevée. Il en résulte un ralentissement du fonctionnement, le blocage des clous ou une insuffisance de puissance. Avant d'examiner un outil présentant ces symptômes, examiner l'alimentation d'air, jusqu'à la source en vue de connecteurs obstrués, d'eau dans les points bas et de tout ce qui pourrait empêcher qu'un volume d'air suffisant parvienne à l'outil.

REPLACEMENT DU CAPUCHON DU PIGNON MOTEUR

Voir la figure 6, page 12.

Si vous remarquez avec le temps que le bruit produit par l'outil devient plus fort qu'à l'habitude, vérifier l'état du capuchon du pignon moteur. Si le capuchon est endommagé de façon excessive et que l'engrenage en métal est clairement visible, retirer le capuchon et le remplacer par le capuchon de remplacement fourni.

Remplacer avec le numéro de pièce 079069001031.

NOTE : Ne pas faire fonctionner sans avoir installé le couvercle d'engrenage d'entraînement pour prévenir les dommages à l'outil et réduire le niveau sonore de l'outil pendant l'utilisation.

DÉPANNAGE

PROBLÈME	CAUSE POSSIBLE	SOLUTION
L'outil tourne lentement	Le sélecteur de sens de rotation est positionné sur la basse vitesse Lubrification déficiente	S'assurer de régler sélecteur à la vitesse maximale Huiler l'outil
Bruit intense/vibration excessive	Couvercle d'engrenage d'entraînement absent du pignon moteur Couvercle d'engrenage d'entraînement usé ou endommagé	S'assurer l'intégrité des dents du pignon moteur et de la tête réceptrice - installer un couvercle d'engrenage d'entraînement neuf Remplacer le couvercle d'engrenage d'entraînement
L'outil ne fonctionne pas	Le sélecteur de sens de rotation est à la position « O » (arrêt) Le levier de verrouillage de la gâchette à l'intérieur de l'outil est coincé vers le bas.	S'assurer de régler sélecteur à la vitesse maximale Amener l'outil au centre d'entretien

**FIGURES (ILLUSTRATIONS) COMMENÇANT SUR
12 DE PAGE APRÈS LA SECTION ESPAGNOL.**

GARANTIE

GARANTIE LIMITÉE DE SERVICE DE 3 ANS SUR LES OUTILS PNEUMATIQUES RIDGID®

Une preuve d'achat doit être présentée pour toute demande de réparation sous garantie.

Ce produit est fabriqué par One World Technologies, Inc., sous licence de marque de RIDGID, Inc. Toutes les correspondances relatives à la garantie doivent être adressées à One World Technologies, Inc. à l'intention de : Service technique des outils pneumatiques RIDGID, au 1-866-539-1710 (appel gratuit).

POLITIQUE DE SATISFACTION ASSURÉE DE 90 JOURS

En cas de dissatisfaction pour quelque raison que ce soit au cours des 90 jours suivant la date d'achat, cet outil pneumatique RIDGID® pourra être retourné au point de vente pour échange ou remboursement intégral. Pour obtenir un outil en échange, l'équipement original devra être retourné, dans son emballage d'origine, accompagné d'une preuve d'achat. L'outil fourni en échange sera couvert par la garantie limitée pour le restant de la période de validité de 3 ANS.

CE QUI EST COUVERT PAR LA GARANTIE LIMITÉE DE 3 ANS

Cette garantie couvre tous les vices de matériaux et de fabrication des outils pneumatiques RIDGID®, pour une période de trois ans, à compter de la date d'achat. Les garanties d'autres produits RIDGID® peuvent être différentes.

RÉPARATIONS SOUS GARANTIE

Pour toute réparation sous garantie, cet outil RIDGID® devra être retourné, en port payé, à un centre de réparations RIDGID® pour outils pneumatiques. L'adresse du centre de réparations agréé le plus proche peut être obtenue en appelant le 1-866-539-1710 (appel gratuit), ou en accédant au site Internet RIDGID® : www.ridgid.com. Le reçu de vente daté doit être présenté lors de toute demande de réparation sous garantie. Le centre de réparations agréé corrigera tout défaut de fabrication et réparera ou remplacera (à notre choix) gratuitement, toute pièce défectueuse.

CE QUI N'EST PAS COUVERT

La garantie ne couvre que l'acheteur au détail original et n'est pas transférable. Cette garantie ne couvre pas les problèmes de fonctionnement, défaillances ou autres défauts résultant d'un usage incorrect ou abusif, de la négligence, de la modification, de l'altération ou de réparations effectuées par quiconque autre qu'un centre de réparations RIDGID® agréé. Les articles de consommation fournis avec cet outil, tels que, mais sans y être limité, les clous, l'huile et les lunettes de sécurité ne sont pas couverts.

RIDGID, INC. ET ONE WORLD TECHNOLOGIES, INC. NE FONT AUCUNE AUTRE GARANTIE, REPRÉSENTATION OU PROMESSE CONCERNANT LA QUALITÉ ET LES PERFORMANCES DE CET OUTIL PNEUMATIQUE, AUTRES QUE CELLES EXPRESSÉMENT INDIQUÉES DANS LE PRÉSENT DOCUMENT.

AUTRES LIMITATIONS

Sous réserve que les lois en vigueur le permettent, toutes les garanties implicites sont exclues, y compris les GARANTIES DE VALEUR MARCHANDE ou D'ADÉQUATION À UN USAGE PARTICULIER. Toutes les garanties implicites, y compris les garanties de valeur marchande ou d'adéquation à un usage particulier ne pouvant pas être exclues en raison des lois en vigueur, sont limitées à une durée de trois ans, à compter de la date d'achat. One World Technologies, Inc. et RIDGID, Inc. déclinent toute responsabilité pour les dommages directs ou indirects. Certains états et provinces ne permettant pas de limitation sur la durée des garanties implicites, et / ou l'exclusion ou la limitation des dommages directs ou indirects, les restrictions ci-dessus peuvent ne pas être applicables. Cette garantie donne au consommateur des droits spécifiques, et celui-ci peut bénéficier d'autres droits, qui varient selon les états ou provinces.

One World Technologies, Inc.

P.O. Box 35, Hwy. 8

Pickens, SC 29671, États-Unis

REGLAS DE SEGURIDAD GENERALES



PELIGRO :

LEA Y COMPRENDA LAS ETIQUETAS DE LAS HERRAMIENTAS Y EL MANUAL. La inobservancia de los avisos de advertencia podría causar la MUERTE o LESIONES SERIAS.

GUARDE ESTAS INSTRUCCIONES

ÁREA DE TRABAJO

- **Mantenga limpia y bien iluminada el área de trabajo.** Una mesa de trabajo mal despejada y una mala iluminación son causas comunes de accidentes.
- **No utilice herramientas motorizadas en atmósferas explosivas, como las existentes alrededor de líquidos, gases y polvos inflamables.** Las herramientas eléctricas generan chispas que pueden encender el polvo y los vapores inflamables.
- **Mantenga alejados a los circunstantes, niños y demás presentes al utilizar una herramienta eléctrica.** Toda distracción puede causar la pérdida del control de la herramienta.

SEGURIDAD PERSONAL

- **Al cargar, utilizar y dar servicio a esta herramienta, el operador y demás personas SIEMPRE deben llevar puesta protección ocular que cumpla con las especificaciones ANSI y ofrezca protección contra partículas que salgan disparadas del FRENTE y de los LADOS.** Se requiere protección ocular como protección contra sujetadores y desechos que salgan disparados, los cuales pueden causar lesiones oculares serias.
- **Tanto el patrón como el operador deben asegurarse de que se use protección ocular adecuada.** Recomendamos la careta protectora de visión amplia encima de los anteojos normales o de los anteojos de seguridad que ofrecen protección frontal y lateral contra partículas que salen disparadas. Siempre póngase protección ocular con protección lateral con la marca de cumplimiento de la norma ANSI Z87.1.
- **En algunos entornos se requiere protección adicional.** Por ejemplo, en el área de trabajo puede haber exposición a un nivel de ruido que puede dañar el oído. El patrón y el operador deben asegurarse de contar con toda la protección auditiva necesaria y de que sea usada por el operador mismo y demás personas presentes en el área de trabajo. En algunos entornos se requiere el uso de equipo de protección para la cabeza. Cuando se requiera, el patrón y el operador deben asegurarse de que la protección usada para la cabeza cumpla con la norma ANSI Z89.1-1997.
- **Permanezca alerta, preste atención a lo que esté haciendo y aplique el sentido común al utilizar herramientas eléctricas. No utilice la herramienta si está cansado o se encuentra bajo los efectos de alguna droga, alcohol o medicamento.** Un momento de inatención al utilizar una herramienta eléctrica puede causar lesiones corporales serias.
- **Vístase adecuadamente. No vista ropas holgadas ni joyas. Recójase el cabello si está largo. Mantenga el cabello, la ropa y los guantes alejados de las piezas móviles.** Las ropas holgadas, las joyas y el cabello largo pueden engancharse en las piezas móviles.
- **No estire el cuerpo para alcanzar mayor distancia. Mantenga una postura firme y buen equilibrio en todo momento.** La postura firme y el buen equilibrio permiten un mejor control de la herramienta en situaciones inesperadas.
- **Use equipo de seguridad. Siempre póngase protección ocular.** Cuando lo exijan las circunstancias debe ponerse careta

contra el polvo, zapatos de seguridad antiderrapantes, casco o protección auditiva.

- **No utilice la unidad al estar en una escalera o en un soporte inestable.** Una postura estable sobre una superficie sólida permite un mejor control de la herramienta en situaciones inesperadas.
- **Evite el contacto del cuerpo con las superficies de objetos que estén haciendo tierra o estén conectados a ésta, como tuberías, radiadores, estufas y refrigeradores.** Existe un mayor riesgo de descargas eléctricas si el cuerpo está haciendo tierra.
- **Evite un arranque accidental de la unidad. Asegúrese de que el interruptor se encuentre en la posición de apagado antes de conectar la herramienta eléctrica a la manguera de aire, o antes de tomar y transportar la herramienta.** Portar las herramientas eléctricas con el dedo en el interruptor, o conectarlas con el interruptor puesto, propicia accidentes.
- **Retire toda llave o herramienta de ajuste antes de encender la herramienta eléctrica.** Toda llave o herramienta de ajuste dejada en una pieza giratoria de la herramienta eléctrica puede causar lesiones.
- **Desconecte la herramienta de la manguera de aire antes de efectuar ajustes, cambiar accesorios o guardar herramientas eléctricas.** Tales medidas preventivas de seguridad reducen el riesgo de poner en marcha accidentalmente la herramienta.

EMPLEO Y CUIDADO DE LA HERRAMIENTA

- **No fuerce la herramienta. Utilice la herramienta adecuada al trabajo.** La herramienta adecuada efectúa el trabajo mejor y de manera más segura, si además se maneja a la velocidad para la que está diseñada
- **No utilice la herramienta si no funciona correctamente el gatillo.** Una herramienta que no pueda controlarse con el gatillo es peligrosa y debe repararse.
- **Guarde las herramientas que no estén en uso fuera del alcance de los niños y de toda persona no capacitada en el uso de las mismas.** Las herramientas son peligrosas en manos de personas no capacitadas en el uso de las mismas.
- **Dé mantenimiento con cuidado a las herramientas.** Siga todas las instrucciones de mantenimiento. Las herramientas que han recibido el debido mantenimiento se controlan con mayor facilidad.
- **Revise para ver si hay desalineación o atoramiento de piezas móviles, ruptura de piezas o toda otra condición que pueda afectar el funcionamiento de la herramienta. Si se daña la herramienta, llévela a servicio antes de volver a utilizarla.** Numerosos accidentes son causados por herramientas mal cuidadas.
- **Mantenga la herramienta y el mango secos, limpios y sin aceite ni grasa.** Siempre utilice un paño limpio para la limpieza de la unidad. Nunca utilice fluidos para frenos, gasolina, productos a base de petróleo ni solventes fuertes para limpiar la herramienta. Con el cumplimiento de esta regla se reduce el riesgo de una pérdida de control y el deterioro del alojamiento de plástico de la unidad.

SERVICIO

- **El servicio de la herramienta sólo debe ser efectuado por personal de reparación calificado.** Todo servicio o mantenimiento efectuado por personal no calificado puede significar un riesgo de lesiones.
- **Al dar servicio a una herramienta, sólo utilice piezas de repuesto idénticas. Siga las instrucciones señaladas en la sección Mantenimiento de este manual.** El empleo de piezas no autorizadas o el incumplimiento de las instrucciones de mantenimiento puede significar un riesgo de lesiones.

ADVERTENCIAS DE SEGURIDAD MANGO DE CONTROL

- **Utilice el mango auxiliar(s), si se suministra con la herramienta.** Cualquier pérdida de control puede causar lesiones.
- **Asegúrese de que la tapa de los engranajes de impulsión aislante esté intacta y bien instalada sobre los engranajes cuando realice alguna operación en que el accesorio de corte pudiera entrar en contacto con cables ocultos.** El accesorio de corte que entre en contacto con un cable “con carga” puede hacer que la electricidad se transmita a las piezas metálicas expuestas de la herramienta y eso podría provocar una descarga eléctrica en el operador.
- **Familiarícese con su herramienta neumática.** Lea cuidadosamente el manual del operador. Aprenda sus usos y limitaciones, así como los posibles peligros específicos de esta herramienta. Con el cumplimiento de esta regla se reduce el riesgo de una descarga eléctrica, incendio o lesión seria.
- **Siempre póngase protección ocular con protección lateral con la marca de cumplimiento de la norma ANSI Z87.1.** Si no cumple esta advertencia, los objetos que salen despedidos pueden producirle lesiones serias en los ojos.
- **Protéjase los pulmones.** Use una careta o mascarilla contra el polvo si la operación genera mucho polvo. Con el cumplimiento de esta regla se reduce el riesgo de lesiones corporales serias.
- **Protéjase los oídos.** Durante períodos prolongados de utilización de la unidad póngase protección para los oídos. Con el cumplimiento de esta regla se reduce el riesgo de lesiones corporales serias.
- **Asegúrese de que la manguera no esté obstruida ni enganchada.** Si la manguera se enreda o engancha puede causar una pérdida del equilibrio o postura y puede dañarse.
- **Use la herramienta neumática solamente para el propósito para la que fue diseñada.**
- **Nunca utilice esta herramienta de ninguna forma que pueda dirigir el cabezal accesorio hacia ninguna otra cosa que no sea la pieza de trabajo.**
- **Nunca porte la herramienta por la manguera de aire.**
- **No altere ni modifique esta herramienta con respecto al diseño o funcionamiento original sin la aprobación del fabricante.**
- **Siempre tenga presente que el uso y manejo indebidos de esta herramienta puede causarle lesiones a usted y a otras personas.**
- **Nunca sujete o pegue con cinta el gatillo en la posición ON (ENCENDIDO).**
- **Nunca deje desatendida ninguna herramienta con la manguera de aire conectada.**
- **No utilice esta herramienta si no tiene una etiqueta de advertencia.**
- **No continúe usando ninguna herramienta que tengafugas de aire o que no funcione correctamente.**
- **Utilice prensas o cualquier otro medio práctico de asegurar y sostener la pieza de trabajo en una plataforma segura.** Sostener la pieza con la mano o contra el cuerpo lo hace inestable y puede causar una pérdida de control.

FUNCIONAMIENTO

- **Utilice la herramienta eléctrica, los accesorios y brocas, hojas y cuchillas de corte, ruedas de esmeril, etc. de conformidad con estas instrucciones, tomando en cuenta las condiciones de trabajo y la tarea por realizar.** Si se utiliza la herramienta eléctrica para operaciones diferentes de las indicadas podría originar una situación peligrosa.
- **No transporte la herramienta de un lado a otro mientras esté conectada al suministro de aire.** Esto podría provocar un accionamiento accidental de la herramienta.
- **Siempre maneje con cuidado la herramienta:**
 - Respete la herramienta como un elemento de trabajo.
 - Nunca participe en jugueteos.
 - Nunca tire del gatillo a menos que la hoja de la herramienta esté dirigida hacia la superficie de trabajo. Nunca tire del gatillo a menos que la punta de la herramienta esté dirigida hacia la superficie de trabajo.
 - Mantenga a las demás personas a una distancia segura de la herramienta mientras está utilizándose ésta, ya que puede ocurrir un accionamiento accidental de la misma, y posibles lesiones.
- **Mantenga las manos y todas las partes del cuerpo lejos del área de trabajo inmediata.** Asegúrese de que la pieza de trabajo esté bien sujeta antes de accionar el mango de control y el accesorio.

SUMINISTRO DE AIRE Y CONEXIONES




- **No utilice oxígeno, gases combustibles ni gases embotellados como fuente de energía para esta herramienta, ya que puede explotar y causar lesiones o la muerte.**
- **No use compresores de aire que puedan excederse de 200 psi de presión, ya que la herramienta puede estallar y causar lesiones.**
- **El conector de la herramienta debe no conservar presión una vez desconectado el suministro de aire.** Si se utiliza una conexión inadecuada, la herramienta puede permanecer cargada de aire después de ser desconectada y por lo tanto estará en condiciones de funcionar aún luego de que se desconecte el suministro de aire, lo cual podría causar lesiones.
- **Siempre desconecte el suministro de aire:**
 - Antes de efectuar ajustes
 - Antes de instalar los accesorios
 - Al dar servicio a la herramienta
 - Cuando no está usándose la unidad
 - Al trasladarse a un área de trabajo diferente, ya que puede accionarse accidentalmente la herramienta y causar lesiones.

GUARDE ESTAS INSTRUCCIONES






- **Consúltelas con frecuencia y empléelas para instruir a otras personas que puedan utilizar esta herramienta.** Si presta a alguien esta herramienta, facilítele también las instrucciones.

SÍMBOLOS

Las siguientes palabras de señalización y sus significados tienen el objeto de explicar los niveles de riesgo relacionados con este producto.

SÍMBOLO	SEÑAL	SIGNIFICADO
	PELIGRO:	Indica una situación peligrosa inminente, la cual, si no se evita, causará la muerte o lesiones serias.
	ADVERTENCIA:	Indica una situación peligrosa posible, la cual, si no se evita, podría causar la muerte o lesiones serias.
	PRECAUCIÓN:	Indica una situación peligrosa posible, la cual, si no se evita, podría causar lesiones menores o leves.
	PRECAUCIÓN:	(Sin el símbolo de alerta de seguridad) Indica una situación que puede producir daños materiales.

Es posible que se empleen en esta herramienta algunos de los siguientes símbolos. Le suplicamos estudiarlos y aprender su significado. Una correcta interpretación de estos símbolos le permitirá utilizar mejor y de manera más segura la herramienta.

SYMBOL	NAME	DESIGNATION/EXPLANATION
	Alerta de seguridad	Indica un peligro posible de lesiones personales.
	Lea el manual del operador	Para reducir el riesgo de lesiones, el usuario debe leer y comprender el manual del operador antes de usar este producto.
	Protección ocular	Siempre póngase protección ocular con protección lateral con la marca de cumplimiento de la norma ANSI Z87.1.
	Protección para los ojos, los oídos y la cabeza	Siempre póngase protección ocular con protección lateral con la marca de cumplimiento de la norma ANSI Z87.1 junto con protección para los oídos y la cabeza que la necesite.
	Símbolo de no acercar las manos	Si no mantiene las manos alejadas de la hoja de corte, se causará serias lesiones corporales.

CALIFORNIA - PROPUESTA DE LEY NÚM. 65

ADVERTENCIA:

Este product y el polvo que crea pueden contener productos químicos, como plomo, que en el estado de California se reconocen como cancerígenos o causantes de defectos de nacimiento u otros daños reproductivos. **Lávese las manos después de utilizar el aparato.**

Algunos ejemplos de estas sustancias químicas son:

- plomo de las pinturas a base de plomo,
- silicio cristalino de los ladrillos, del cemento y de otros productos de albañilería y
- arsénico y cromo de la madera químicamente tratada.

El riesgo de la exposición a estos compuestos varía, según la frecuencia con que se realice este tipo de trabajo. Para reducir la exposición personal, trabaje en áreas bien ventiladas, y con equipo de seguridad aprobado, tal como las caretas para el polvo especialmente diseñadas para filtrar partículas microscópicas.

GLOSARIO DE TÉRMINOS

Activar (los controles de accionamiento)

Es mover un control de accionamiento de manera que quede en una posición en la cual se accione la herramienta o cumpla con un requisito necesario para accionar la misma.

Accionar (la herramienta)

Es producir intencionalmente el movimiento de los componentes de la herramienta.

Consumo de aire

En una herramienta de aire, es la cantidad de aire que la herramienta usa a una cierta presión de funcionamiento y con un ciclo de trabajo determinado. El consumo de aire se mide en pies cúbicos estándar por minuto (SCFM).

Conexión de entrada de aire

Refiriéndose a herramientas neumáticas, es la abertura a la cual se conecta el suministro de aire comprimido, normalmente por medio de un conector roscado.

Ciclo de trabajo

Es el porcentaje de uso continuo de una herramienta de trabajo.

Presión de aire máxima

Es la presión máxima permitida del aire comprimido, según las especificaciones del fabricante para la utilización de una herramienta.

Gatillo

Es un control de accionamiento de una herramienta el cual maneja con los dedos el operador.

CARACTERÍSTICAS

ESPECIFICACIONES DEL PRODUCTO

Presión de funcionamiento..... 90 psi máx.
Consumo de aire con un ciclo
de trabajo del 100 %..... 18,2 SCFM a 90 psi

Entrada de aire 1/4 pulg. NPT
Interruptor..... Velocidad variable
Peso 0,68 kg (1,5 lb)

APPRENDRE VOTRE MANGO DE CONTROL

AIR JobMax™

Vea la figura 1, página 12.

Para usar este producto con la debida seguridad se debe comprender la información indicada en la herramienta misma y en este manual, y se debe comprender también el trabajo que intenta realizar. Antes de usar este producto, familiarícese con todas las características de funcionamiento y normas de seguridad del mismo.

HEX GRIP™

Mango ergonómico con sobremoldeado Hex Grip™ para mayor comodidad y agarre.

FILTRO DE AIRE EN EL MANGO

El filtro de aire en el mango se limpia automáticamente e impide la entrada de desechos para prolongar la vida de servicio de la herramienta.

CABEZALES INTERCAMBIABLES

Existe una variedad de cabezales intercambiables disponibles para aplicaciones de trabajo diferentes.

CONECTOR GIRATORIO RÁPIDO

El conector giratorio rápido impide enredar la manguera.

CONTROLES DE VELOCIDAD VARIABLE

Gatillo del interruptor

El gatillo del interruptor de velocidad variable produce mayor velocidad cuanto mayor presión se aplica al gatillo.

Selector de sentido de rotación

El selector de sentido de rotación situado en el cuerpo del mango de control cambia la dirección y la velocidad de rotación del cabezal accesorio.

ARMADO

DESEMPAQUETADO

Embarcamos este producto completamente armado.

- Extraiga cuidadosamente de la caja la herramienta y los accesorios. Asegúrese de que estén presentes todos los artículos enumerados en la lista de empaquetado.

ADVERTENCIA:

No use este producto si no está totalmente ensamblado o si alguna pieza falta o está dañada. Si utiliza un producto que no se encuentra ensamblado de forma correcta y completa, puede sufrir lesiones graves.

-
- Inspeccione cuidadosamente la herramienta para asegurarse de que no haya sufrido ninguna rotura o daño durante el transporte.
 - No deseche el material de empaquetado sin haber inspeccionado cuidadosamente la herramienta y haberla utilizado satisfactoriamente.
 - Si hay piezas dañadas o faltantes, le suplicamos llamar al 1-866-539-1710, donde le brindaremos asistencia.

LISTA DE EMPAQUETADO

AIR JobMax™ mango de control

Aceite

Cubierta del engranaje (2)

Manual del operador

ADVERTENCIA:

Si hay piezas dañadas o faltantes, no utilice esta herramienta sin haber reemplazado las piezas dañadas o faltantes. Usar este producto con partes dañadas o faltantes puede causar lesiones serias al operador.

ADVERTENCIA:

No intente modificar esta herramienta ni hacer accesorios no recomendados para la misma. Cualquier alteración o modificación constituye maltrato el cual puede causar una condición peligrosa, y como consecuencia posibles lesiones corporales serias.

FUNCIONAMIENTO

PELIGRO:

No utilice oxígeno, gases combustibles ni gases embotellados como fuente de energía para esta herramienta. La herramienta explotará y causará la muerte o lesiones serias.

ADVERTENCIA:

No permita que su familiarización con las herramientas lo vuelva descuidado. Tenga presente que un descuido de un instante es suficiente para causar una lesión seria.

ADVERTENCIA:

Siempre póngase protección ocular con protección lateral con la marca de cumplimiento de la norma ANSI Z87.1. Si no cumple esta advertencia, los objetos que salen despedidos pueden producirle lesiones serias en los ojos.

ADVERTENCIA:

Desconecte la herramienta del suministro de aire antes de abandonar el área de trabajo, de trasladar la herramienta a otro lugar y de alargar la herramienta a otra persona. La inobservancia de esta advertencia puede causar lesiones serias.

USOS

Esta herramienta puede emplearse para los fine enumerado abajo:

- Existen numerosas aplicaciones disponibles según el cabezal accesorio instalado

ADVERTENCIA:

Siempre póngase protección ocular. La protección ocular no les queda a todos los operadores de la misma forma. Asegúrese de que la protección ocular escogida disponga de protectores laterales u ofrezca protección contra desechos disparados provenientes tanto del frente como de los lados.

PREPARACIÓN DE LA HERRAMIENTA PARA UTILIZARLA

Vea la figura 2, página 12.

En condiciones normales, la herramienta debe lubricarse antes de conectarla a un suministro de aire. Vierta lubricante para herramientas neumáticas en la conexión del aire de la herramienta una vez al día, o dos veces si se usa intensivamente. Solamente son necesarias unas pocas gotas de aceite cada vez. Si se pone demasiado aceite se acumula dentro de la herramienta y estará presente en la fase de escape.

Antes de conectar la herramienta, revise el indicador del compresor de aire para asegurarse de que esté funcionando at 90 psi.

FUNCIONAMIENTO

CÓMO CONECTAR LA HERRAMIENTA A UN SUMINISTRO DE AIRE

Veja la figura 3, página 12.

ADVERTENCIA:

Desconecte la herramienta del suministro de aire antes de abandonar el área de trabajo, de trasladar la herramienta a otro lugar y de alargar la herramienta a otra persona. La inobservancia de esta advertencia puede causar lesiones serias.

PELIGRO:

No utilice oxígeno, gases combustibles ni gases embotellados como fuente de energía para esta herramienta. La herramienta explotará y causará la muerte o lesiones serias.

Esta herramienta está diseñada para funcionar con aire comprimido limpio y seco a una presión regulada máxima de 90 psi. La presión correcta de aire es la presión menor que sirva para efectuar el trabajo.

NOTA: Una presión de aire mayor de 90 psi puede dañar la herramienta.

La herramienta y la manguera de aire deben tener un acoplamiento que permita eliminar toda la presión de la herramienta al desconectarlo.

ADVERTENCIA:

Siempre utilice un acoplamiento que descargue todo el aire comprimido contenido en la herramienta al momento de desconectar de la misma el adaptador o acoplamiento de la manguera. Si utiliza un acoplamiento que no descargue el aire comprimido podría hacer funcionar accidentalmente la herramienta y producirse lesiones serias.

ADVERTENCIA:

No se suba a ningún equipo o andamio mientras acarree una herramienta conectada a una manguera de aire. La inobservancia de esta advertencia puede causar lesiones serias.

Conecte la herramienta al suministro de aire con un conector hembra rápido de 1/4 pulg. Puede utilizarse un conector hembra rápido de 3/8 pulg. si no hay un conducto de suministro de 1/4 pulg. No obstante, para lograr un desempeño óptimo de la herramienta se requieren un conducto de suministro y conexiones de 3/8 pulg.

SELECTOR DE SENTIDO DE ROTACIÓN

Veja la figura 1, página 12.

El selector de sentido de rotación de velocidad variable, situado en el cuerpo del mango de control, cambia la dirección y la velocidad de rotación del cabezal accesorio.

El selector tiene tres posiciones: **Atrás (R)**, **Apagado (O)** y **Adelante (F)**.

Para un movimiento hacia adelante, el selector debe colocarse a la derecha de **“O”**. Para un movimiento hacia atrás, el selector debe colocarse a la izquierda de **“O”**.

Al mover el selector más cerca de **R** o **F** la velocidad del cabezal accesorio aumenta.

Ajustar el sentido del selector de rotación en el centro, en **“O”** (posición Apagar) ayuda a reducir la posibilidad de que la herramienta se ponga en marcha accidentalmente cuando no está en uso.

NOTA: Siempre lea el manual del operador para el cabezal accesorio de JobMax™ que va a utilizar antes de conectar la herramienta a un suministro de aire.

ADVERTENCIA:

Para no dañar el engranaje, antes de cambiar el sentido de rotación siempre permita que el cabezal accesorio se detenga completamente.

INSTALACIÓN/CAMBIO DE CABEZALES

Veja la figura 4, página 12.

- Coloque el cabezal deseado en el mango de control y empuje hasta que los pestillos hagan clic y queden fijos en su posición. Tire del cabezal para asegurarse de que esté debidamente instalado antes de proceder a utilizar el producto.

NOTA: El cabezal puede instalarse a un ángulo de 90° para adaptarse mejor a sus necesidades de aplicación.

- Para retirar un cabezal accesorio, prima los pestillos en ambos lados de la herramienta con una mano mientras tira del cabezal hacia afuera de la herramienta con la otra.

ACCIONE EL MANGO DE CONTROL CON UN CABEZAL ACCESORIO INSTALADO

Veja la figura 5, página 12.

- Instale el cabezal accesorio para la aplicación deseada.
- Conecte la herramienta al suministro de aire.
- Seleccione **“F”** o **“R”** para utilizar la herramienta hacia adelante o hacia atrás.
- Empuje la palanca de traba del gatillo hacia adelante y apriete el gatillo para **ENCENDER** la herramienta.
- Suelte el gatillo del interruptor para **APAGAR** la herramienta.

MANTENIMIENTO

ADVERTENCIA:

Para el servicio de la unidad sólo utilice piezas de repuesto idénticas. El empleo de piezas diferentes puede causar un peligro o dañar el producto.

ADVERTENCIA:

Siempre póngase protección ocular con protección lateral con la marca de cumplimiento de la norma ANSI Z87.1. Si no cumple esta advertencia, los objetos que salen despedidos pueden producirle lesiones serias en los ojos.

ADVERTENCIA:

Desconecte la herramienta del suministro de aire antes de efectuar tareas de mantenimiento. La inobservancia de esta advertencia puede causar lesiones serias.

MANTENIMIENTO GENERAL

Evite el empleo de solventes al limpiar piezas de plástico. La mayoría de los plásticos son susceptibles a diferentes tipos de solventes comerciales y pueden resultar dañados. Utilice paños limpios para eliminar la suciedad, el polvo, el aceite, la grasa, etc.

ADVERTENCIA:

No permita en ningún momento que fluidos para frenos, gasolina, productos a base de petróleo, aceites penetrantes, etc., lleguen a tocar las piezas de plástico. Las sustancias químicas pueden dañar, debilitar o destruir el plástico, lo cual a su vez puede producir lesiones corporales serias.

LUBRICACIÓN

Para obtener un desempeño óptimo de la herramienta se requiere una lubricación frecuente, pero no excesiva. El aceite para herramientas neumáticas de clavar vertido por la conexión del conducto de aire lubrica las partes internas. No utilice aceite con detergente ni aditivos, ya que estos lubricantes propician un desgaste rápido de los sellos y parachoques de la herramienta, lo cual causa un desempeño inadecuado de la herramienta y la necesidad de mantenimiento frecuente.

UTILIZACIÓN DE LA HERRAMIENTA EN TIEMPO FRÍO

Para utilizar la herramienta en tiempo frío, cerca de la temperatura de congelación y abajo de la misma, puede congelarse la humedad presente en el conducto de aire y puede impedir el funcionamiento de la herramienta. Recomendamos utilizar lubricante para herramientas neumáticas o anticongelante permanente (etilenglicol) como lubricante para clima frío.

PRECAUCIÓN:

Con el fin de evitar la formación de escarcha o hielo en las válvulas y mecanismos de operación de las herramientas que pudiera causar una falla de las mismas, no las guarde en lugares fríos.

NOTA: Algunos líquidos comerciales para secar conductos de aire dañan los sellos y las juntas tóricas. No use estos secadores de aire para baja temperatura sin verificar la compatibilidad de los mismos.

PRESIÓN Y VOLUMEN DEL SUMINISTRO DE AIRE

El volumen de aire es tan importante como la presión del mismo. El volumen de aire suministrado a la herramienta puede ser insuficiente a causa de conexiones y mangueras de tamaño insuficiente, o por los efectos de la suciedad y el agua presentes en el sistema. Toda limitación en el flujo de aire impide a la herramienta recibir un volumen adecuado de aire, incluso si está elevada la lectura de la presión. El resultado de tales circunstancias puede ser funcionamiento lento o potencia de introducción reducida. Antes de evaluar los problemas de la herramienta a causa de estos síntomas, revise el suministro de aire desde la herramienta hasta la fuente de suministro para ver si hay conectores limitantes o puntos bajos con contenido de agua y cualquier otra cosa que pueda impedir el flujo pleno de aire a la herramienta.

REEMPLAZO DE LA TAPA DEL CUBIERTA PARA LOS ENGRANAJES IMPULSORES

Vea la figura 6, página 12.

Si con el transcurso del tiempo nota que la herramienta hace más ruido que el habitual, verifique el estado de la tapa del cubierta para los engranajes impulsores. Si la tapa está demasiado dañada y se puede ver claramente el engranaje de metal, retírela y reemplácela con el repuesto incluido.

Reemplace con el número de pieza 079069001031.

NOTA: Para no dañar la herramienta y reducir el nivel de ruido mientras la herramienta se encuentra en uso, nunca la utilice sin la tapa del engranaje de transmisión instalada.

SOLUCIÓN DE PROBLEMAS

PROBLEMA	CAUSA POSIBLE	SOLUCIÓN
La herramienta gira lentamente	El selector de sentido de rotación se encuentra en la posición de velocidad baja Falta de lubricación	Asegúrese de ajustar el selector en la configuración de velocidad máxima Aceite la herramienta
Ruido o vibración excesiva	Falta la tapa del engranaje de transmisión La tapa del engranaje de transmisión está rasgada o dañada	Asegúrese que no se dañe ningún diente del engranaje de transmisión y cabezal de recepción, para ello coloque una tapa nueva Reemplace la tapa
La unidad no funciona	El selector de sentido de rotación está en la posición "O" La válvula de la palanca del seguro del gatillo está atorada dentro de la herramienta.	Asegúrese de ajustar el selector en la configuración de velocidad máxima Llévela al centro de servicio

GARANTÍA

GARANTÍA DE SERVICIO LIMITADA DE 3 AÑOS DE LAS HERRAMIENTAS NEUMÁTICAS RIDGID®

Debe presentarse prueba de la compra al solicitar servicio al amparo de la garantía.

Este producto está manufacturado por One World Technologies, Inc. La licencia de uso de la marca comercial es otorgada por RIDGID, Inc. Toda comunicación en relación con la garantía debe dirigirse a One World Technologies, Inc., a la atención de: Servicio técnico de herramientas neumáticas RIDGID, (línea gratuita) 1-866-539-1710.

POLÍTICA DE GARANTÍA DE SATISFACCIÓN DE 90 DÍAS

Durante los primeros 90 días a partir de la fecha de compra, si no está satisfecho con el desempeño de esta herramienta neumática RIDGID® por cualquier razón, puede devolverla al establecimiento donde la adquirió, donde se le proporcionará un reembolso total o un intercambio. Para recibir una herramienta de reemplazo, debe presentar documentación de prueba de la compra, y devolver el equipo original empaquetado con el producto original. La herramienta de reemplazo queda cubierta por la garantía limitada por el resto del período de garantía de servicio de 3 AÑOS.

LO QUE ESTÁ CUBIERTO POR LA GARANTÍA DE SERVICIO LIMITADA DE 3 AÑOS

Esta garantía de las herramientas neumáticas RIDGID® cubre todos los defectos en material y en mano de obra por un período de tres años a partir de la fecha de compra de la herramienta. Las garantías de otros productos RIDGID pueden ser diferentes.

FORMA DE OBTENER SERVICIO

Para obtener servicio para esta herramienta RIDGID®, debe devolverla, ya sea con el flete pagado por anticipado, o llevarla a un centro de servicio autorizado para herramientas neumáticas de la marca RIDGID®. Puede obtener información sobre la ubicación del centro de servicio autorizado más cercano llamando al 1-866-539-1710 (línea gratuita) o dirigiéndose al sitio electrónico de RIDGID® en Internet, en www.ridgid.com. Al solicitar servicio al amparo de la garantía, debe presentar el recibo de venta fechado original. El centro de servicio autorizado reparará toda mano de obra deficiente del producto, y reparará o reemplazará cualquier pieza cubierta en la garantía, a nuestra sola discreción, sin ningún cargo al consumidor.

LO QUE NO ESTÁ CUBIERTO

Esta garantía se ofrece exclusivamente al comprador original al menudeo y no puede transferirse. Esta garantía sólo cubre defectos que surjan en el uso normal de la herramienta y no cubre ningún malfuncionamiento, falla o defecto producido por el uso indebido, maltrato, negligencia, alteración, modificación o reparación efectuada por terceros diferentes de los centros de servicio autorizados de herramientas neumáticas RIDGID®. No están cubiertos los accesorios suministrados con la herramienta, como los sujetadores, aceite y anteojos de seguridad.

RIDGID, INC. Y ONE WORLD TECHNOLOGIES, INC. NO OFRECEN NINGUNA GARANTÍA, DECLARACIÓN O PROMESA EN RELACIÓN CON LA CALIDAD O EL DESEMPEÑO DE SUS HERRAMIENTAS NEUMÁTICAS, MÁS QUE LAS SEÑALADAS ESPECÍFICAMENTE EN ESTA GARANTÍA.

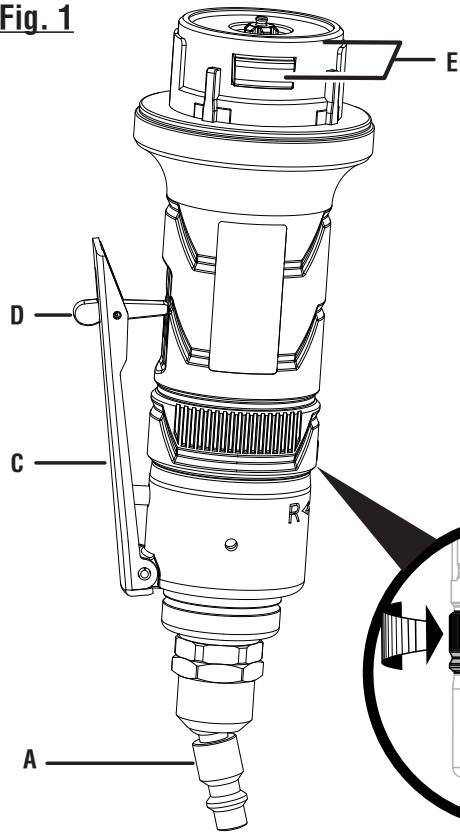
LIMITACIONES ADICIONALES

Hasta donde lo permiten las leyes relevantes, se desconoce toda garantía implícita, incluidas las garantías de comerciabilidad o idoneidad para un uso en particular. Toda garantía implícita, incluidas las garantías de comerciabilidad o idoneidad para un uso en particular, que no pueda desconocerse según las leyes estatales, está limitada a tres años a partir de la fecha de compra. One World Technologies, Inc. y RIDGID, Inc. no son responsables de daños directos, indirectos, incidentales o consecuentes. Algunos estados no permiten limitaciones en cuanto al período de vigencia de una garantía implícita y/o no permiten exclusiones o limitaciones de daños incidentales o consecuentes, por lo tanto es posible que esta limitación no se aplique en el caso de usted. Esta garantía le confiere derechos legales específicos, y es posible que usted goce de otros derechos, los cuales pueden variar de estado a estado.

One World Technologies, Inc.

P.O. Box 35, Hwy. 8
Pickens, SC 29671, USA

Fig. 1



- A - Quick-connect swivel connector (connecteur rapide pivotant, conector giratorio rápido)
- B - Direction of rotation selector (sélecteur de sens de rotation, selector de sentido de rotación)
- C - Variable speed switch trigger (gâchette à variation de vitesse, interruptor de velocidad variable)
- D - Trigger lock lever (levier de verrouillage de la gâchette, palanca del seguro del gatillo)
- E - Latches (loquets, pestillos)

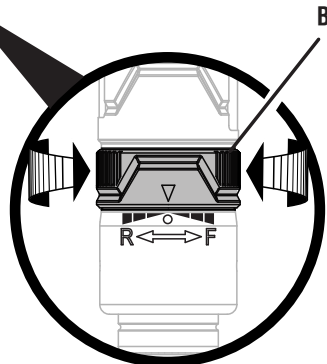
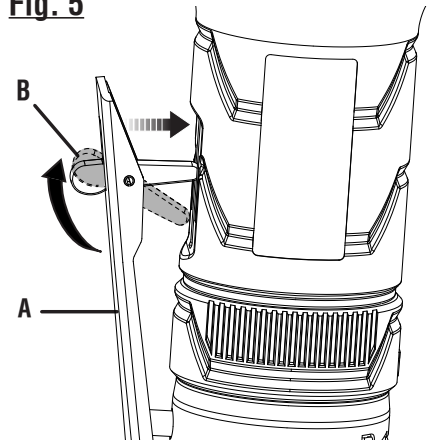
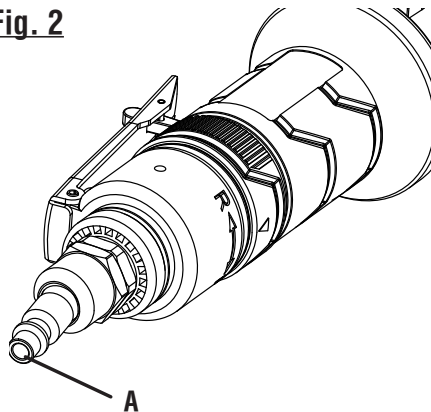


Fig. 5



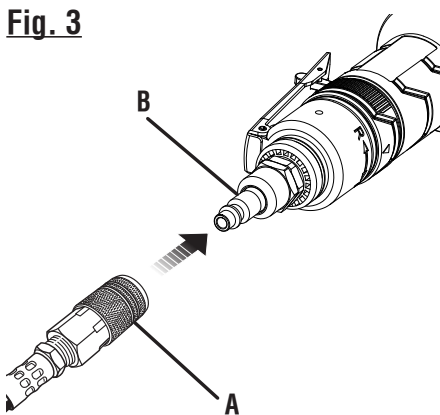
- A - Variable speed switch trigger (gâchette à variation de vitesse, interruptor de velocidad variable)
- B - Trigger lock lever (levier de verrouillage de la gâchette, palanca del seguro del gatillo)

Fig. 2



- A - Air fitting (raccord d'air, conexión de aire)

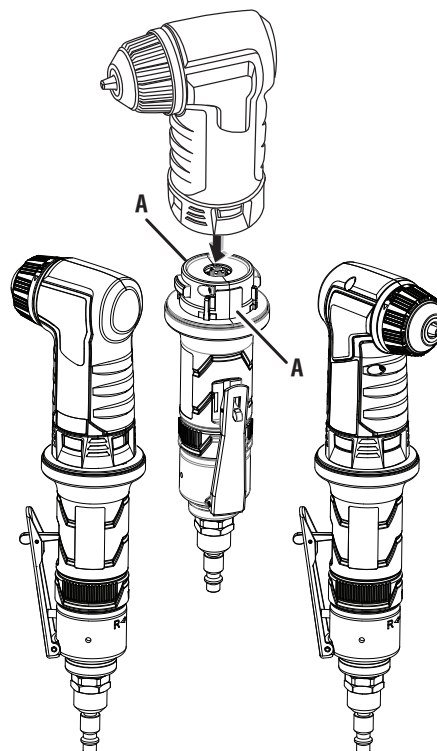
Fig. 3



- A - Air hose connector (connecteur de flexible d'air, conector de la manguera de aire)
- B - Swivel connector (connecteur pivotant, conector giratorio)

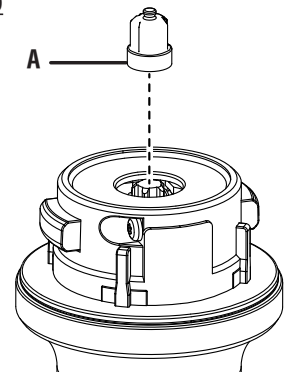
Fig. 4

**DRILL HEAD SHOWN FOR ILLUSTRATIVE PURPOSES ONLY.
LA TÊTE DE PERCEUSE EST ILLUSTRÉE AUX FINS DE CONSULTATION SEULEMENT.
SE MUESTRA EL CABEZAL DE TALADRO SOLO PARA FINES ILUSTRATIVOS.**



- A - Latches (loquets, pestillos)

Fig. 6



- A - Drive gear cover

OPERATOR'S MANUAL

MANUEL D'UTILISATION

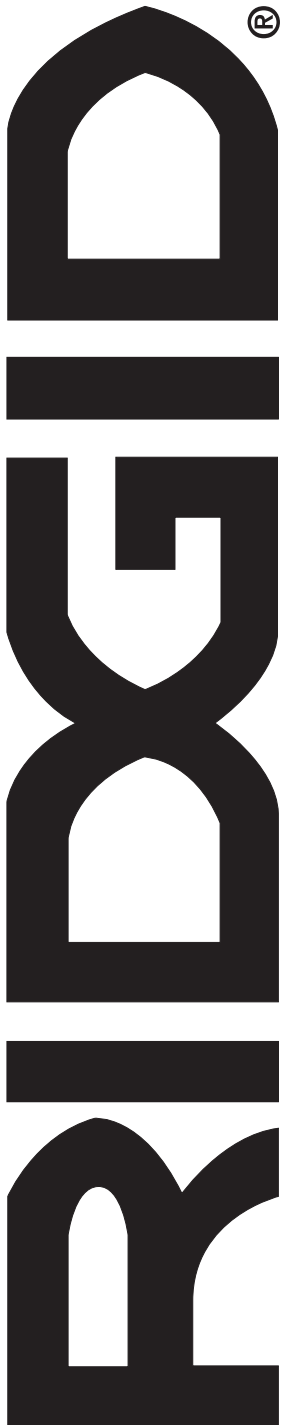
MANUAL DEL OPERADOR

AIR JobMax™ POWER HANDLE

POIGNÉE MOTORISÉE AIR JobMax™

MANGO DE CONTROL AIR JobMax™

R9020PN - SERIES C / SÉRIE C / SERIE C



Customer Service Information:

For parts or service, contact your nearest RIDGID authorized service center. Be sure to provide all relevant information when you call or visit. For the location of the authorized service center nearest you, please call 1-866-539-1710 or visit us online at www.ridgid.com.

The model number of this tool is found on a plate attached to the motor housing. Please record the serial number in the space provided below. When ordering repair parts, always give the following information:

Model No. _____ R9020PN

Serial No. _____

Service après-vente :

Pour acheter des pièces ou pour un dépannage, contacter le centre de réparations RIDGID agréé le plus proche. Veiller à fournir toutes les informations pertinentes lors de tout appel téléphonique ou visite. Pour obtenir l'adresse du centre de réparations agréé le plus proche, téléphoner au 1-866-539-1710, ou visiter notre site www.ridgid.com.

Le numéro de modèle se trouve sur une plaquette fixée au boîtier du moteur. Noter le numéro de série dans l'espace ci-dessous. Lors de toute commande de pièces détachées, fournir les informations suivantes :

No. de modèle _____ R9020PN

No. de série _____

Información sobre servicio al consumidor:

Para piezas de repuesto o servicio, comuníquese con el centro de servicio autorizado de productos RIDGID de su preferencia. Asegúrese de proporcionar todos los datos pertinentes al llamar o al presentarse personalmente. Para obtener información sobre el centro de servicio autorizado más cercano a usted, le suplicamos llamar al 1-866-539-1710 o visitar nuestro sitio en la red mundial, en la dirección www.ridgid.com.

El número de modelo de este producto se encuentra en una placa adherida al alojamiento del motor. Le recomendamos anotar el número de serie en el espacio suministrado abajo. Al ordenar piezas de repuesto siempre proporcione la siguiente información:

Núm. de modelo _____ R9020PN

Núm. de serie _____
