



Count on it.

Parts Catalog

10in Cultivator

Model No. 58601—Serial No. 321000001 and Up



Ordering Replacement Parts

To order replacement parts, please supply the part number, the quantity, and the description of each part desired.

Understanding Reference Numbers

Each identified part in an illustration has a reference number. The reference number for a part also appears in the parts list, along with other information about the part.

This catalog uses two special reference number formats, one to indicate parts in a service assembly and another to indicate the quantity of a given part in an illustration.

Service Assembly Reference Numbers

Parts in service assemblies have reference numbers in the form a:b. The a represents the reference number of the entire service assembly and the b represents a sequential number unique to each part within the service assembly.

For example, a wheel assembly might be identified by reference number 6, the tire by 6:1, the valve by 6:2, and the wheel by 6:3. When you order the assembly identified by reference number 6, you receive all parts identified by reference numbers 6:1, 6:2, and 6:3. However, you may also order any part individually. Reference numbers of this type appear in illustration and in parts lists.

Reference Numbers Indicating Quantity

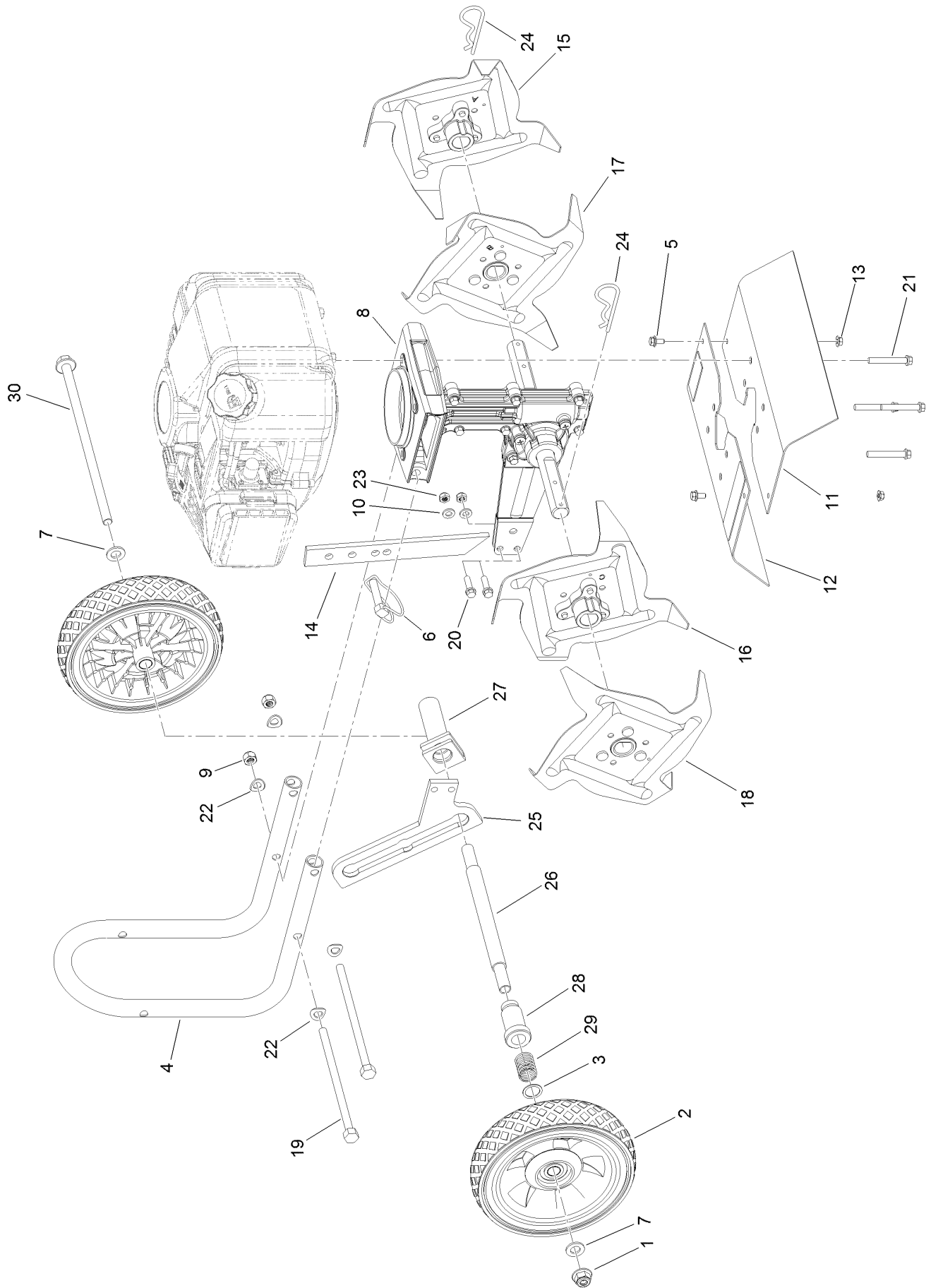
In an illustration, if a reference number indicates more than one part, the reference number has the form nX y. The n represents the quantity of the part, the X is the multiplication symbol, and the y represents the reference number.

For example, in an illustration, the reference number 2X 37 means that two of the parts identified by reference number 37 are indicated.

Contents

Tines and Wheels Assembly 4
Transmission Assembly 6
Handles and Controls Assembly 8
Engine Assembly 10

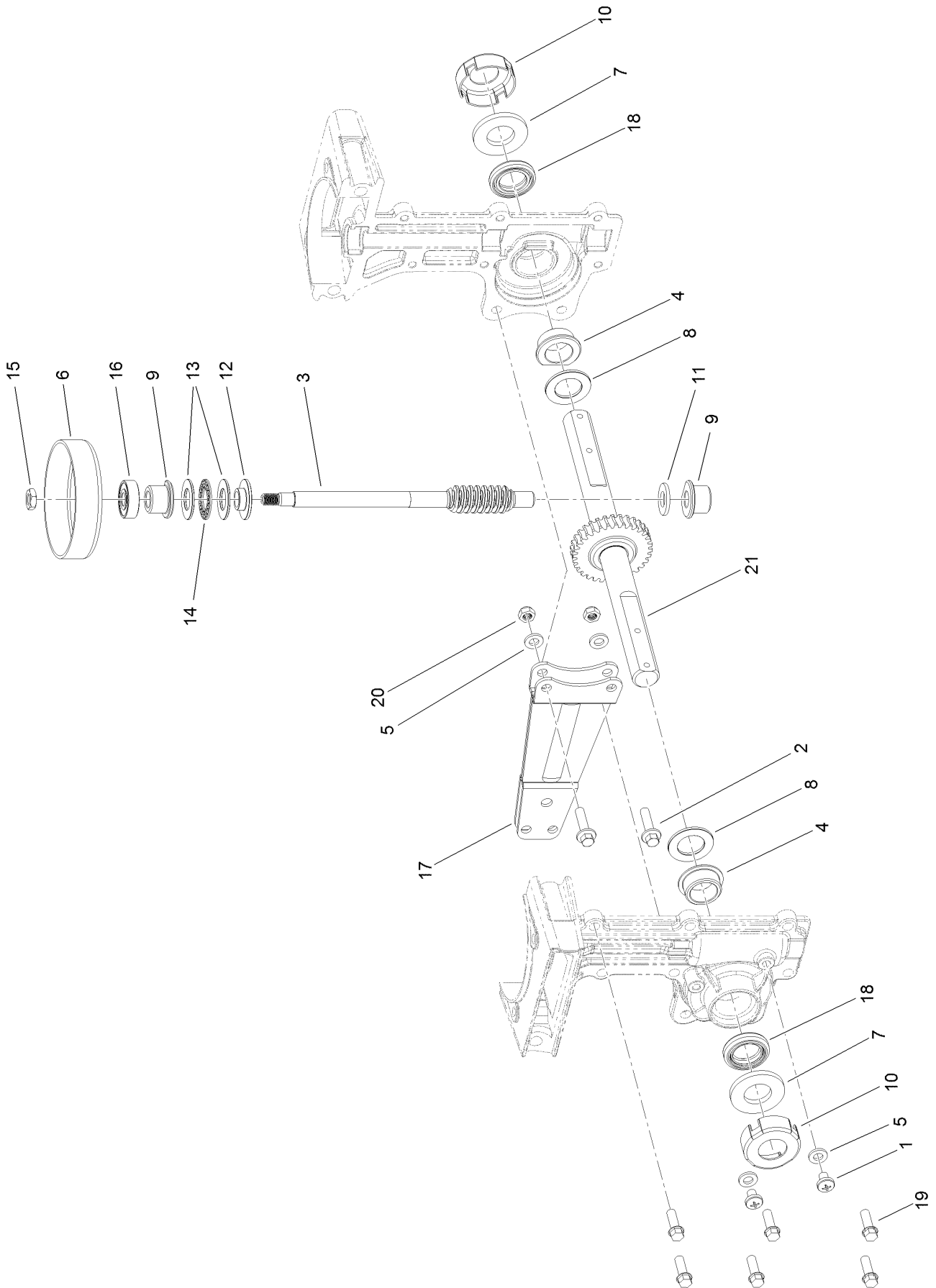
Tines and Wheels Assembly



Tines and Wheels Assembly (continued)

<i>Ref.</i>	<i>Part Number</i>	<i>Qty.</i>	<i>Description</i>	<i>Ref.</i>	<i>Part Number</i>	<i>Qty.</i>	<i>Description</i>
1	144-4758	1	Nut	16	144-4741	1	Tine ASM
2	144-4730	2	Wheel	17	144-4742	1	Tine ASM
3	144-4674	1	Washer-Plain	18	144-4743	1	Tine ASM
4	144-4678	1	Handlerbar-Lower	19	144-4747	2	Screw-HHF
5	144-4680	2	Screw-HHF	20	144-4748	2	Screw-HH
6	144-4685	1	Pin-Clevis, Locking	21	144-4757	4	Screw-HHF
7	144-4688	2	Washer-Plain	22	144-4762	4	Washer-Spring
8	144-4690	1	Transmission	23	144-4766	2	Nut-Lock
9	144-4738	2	Nut-Hex	24	144-4768	2	Pin-Cotter
10	144-4777	2	Washer	25	144-4769	1	Holder - Wheel
11	144-4731	1	Shield-Tine	26	144-4770	1	Tube-Wheel Axle
12	144-4734	1	Shield-Tine	27	144-4771	1	Tube-Wheel Guide
13	144-4737	2	Nut-Hex	28	144-4772	1	Tube-Wheel Lock
14	144-4739	1	Drag Bar	29	144-4773	1	Spring-Wheel Lock
15	144-4740	1	Tine ASM	30	144-4774	1	Screw-HHF

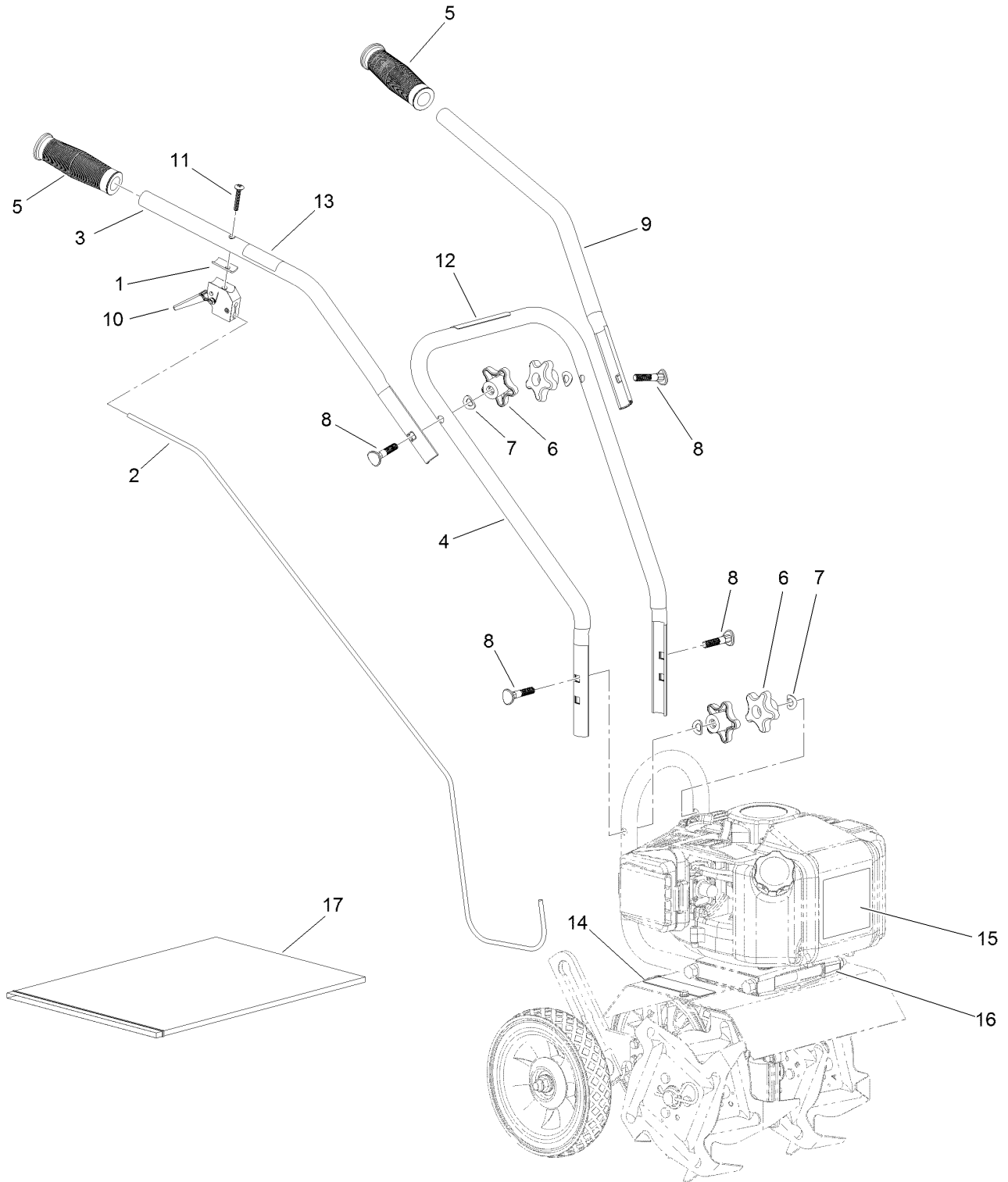
Transmission Assembly



Transmission Assembly (continued)

<i>Ref.</i>	<i>Part Number</i>	<i>Qty.</i>	<i>Description</i>	<i>Ref.</i>	<i>Part Number</i>	<i>Qty.</i>	<i>Description</i>
1	144-4675	2	Screw-PPH	12	144-4752	1	Bearing-Thrust
2	144-4676	2	Screw-HHF	13	144-4753	2	Washer-Plain
3	144-4686	1	Shaft-Drive	14	144-4754	1	Bearing-Thrust
4	144-4689	2	Bushing-Flange	15	144-4755	1	Nut
5	144-4777	4	Washer	16	144-4756	1	Bearing-Ball
6	144-4701	1	Clutch Drum	17	144-4759	1	Wheel And Drag Mount
7	144-4744	2	Washer-Fiber	18	144-4764	2	Seal-Shaft
8	144-4745	2	Shim-Shaft, Tine	19	144-4765	6	Screw-HHF
9	144-4746	2	Bushing-Flange	20	144-4766	2	Nut-Lock
10	144-4749	2	Cap-Dust	21	144-4767	1	Tine Shaft ASM
11	144-4751	1	Spacer				

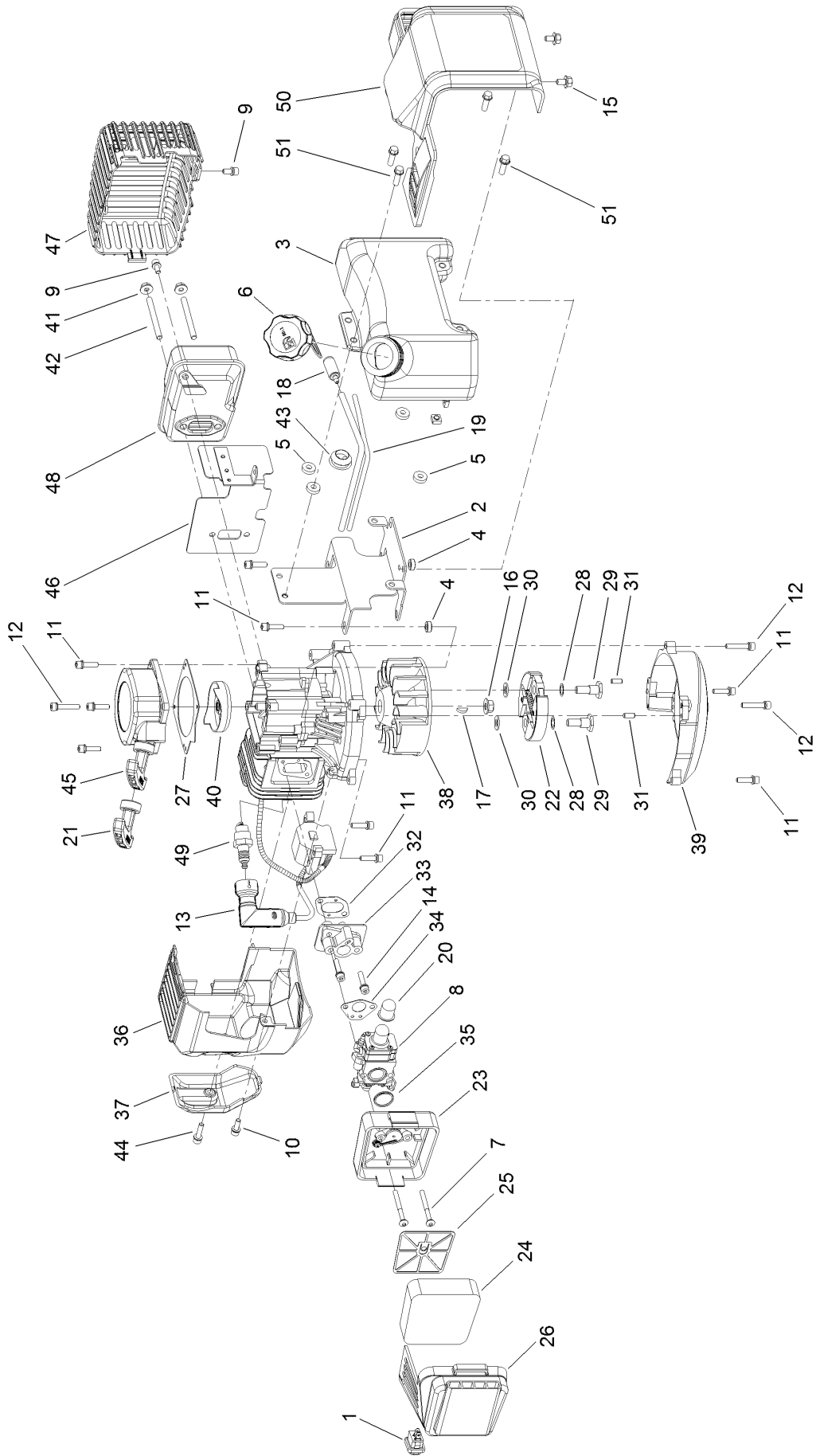
Handles and Controls Assembly



Handles and Controls Assembly (continued)

<i>Ref.</i>	<i>Part Number</i>	<i>Qty.</i>	<i>Description</i>	<i>Ref.</i>	<i>Part Number</i>	<i>Qty.</i>	<i>Description</i>
1	144-4673	1	Pad-Rubber	10	144-4775	1	Throttle Lever ASM
2	144-4677	1	Throttle Cable	11	144-4776	1	Screw-PTH
3	144-4735	1	Handle-Lower	12	144-4732	1	Decal-Quick Start
4	144-4842	1	Handlebar-Middle	13	144-4726	1	Decal-Control, Throttle
5	144-4760	2	Grip	14	144-4727	1	Decal-Warning
6	144-4761	4	Knob-Handle	15	144-4725	1	Decal-Tank, Fuel
7	144-4762	4	Washer-Spring	16	133-8062	1	Decal-Arrestor, Spark
8	144-4763	4	Bolt	17	144-4729	1	Manual ASM
9	144-4687	1	Handlebar-Left, Upper				

Engine Assembly



Engine Assembly (continued)

<i>Ref.</i>	<i>Part Number</i>	<i>Qty.</i>	<i>Description</i>	<i>Ref.</i>	<i>Part Number</i>	<i>Qty.</i>	<i>Description</i>
1	144-4661	1	Switch, On/Off	27	144-4702	1	Spacer-Plate, Recoil
2	144-4662	1	Mount-Tank, Fuel	28	144-4703	2	Washer-Wave
3	144-4663	1	Fuel Tank And Cap Kit	29	144-4704	2	Screw-HH
4	144-4664	2	Spacer	30	144-4705	2	Washer-Plain
5	144-4665	4	Spacer	31	144-4706	2	Pin-Dowel
6	144-4671	1	Cap-Fuel	32	144-4707	1	Gasket-Intake
7	144-4666	2	Screw-Bshcs	33	144-4708	1	Manifold-Intake
8	144-4679	1	Carburetor ASM	34	144-4709	1	Gasket-Carburetor
9	144-4681	2	Screw-Shcs	35	144-4710	1	O-Ring
10	144-4682	1	Screw-Shcs	36	144-4711	1	Shroud-Engine
11	144-4683	9	Screw-Shcs	37	144-4712	1	Shroud-Engine
12	144-4684	3	Screw-Shcs	38	144-4713	1	Flywheel
13	144-4692	1	Ignition Coil	39	144-4714	1	Shroud-Flywheel
14	144-4691	2	Screw-Shcs	40	144-4715	1	Clutch-Recoil
15	144-4693	2	Screw-HHF	41	144-4716	2	Nut-Hex
16	144-4694	1	Nut	42	144-4717	2	Stud
17	144-4695	1	Key-Woodruff	43	144-4843	1	Grommet-Fuel Tank
18	144-4696	1	Fuel Filter	44	144-4718	1	Screw-Shcs
19	144-4697	1	Fuel Line Kit	45	144-4719	1	Recoil ASM
20	144-4698	1	Primer Bulb	46	144-4721	1	Shield-Muffler
21	144-4699	1	Handle-Recoil	47	144-4722	1	Gaurd-Muffler
22	144-4700	1	Clutch Spring ASM	48	144-4723	1	Muffler
23	144-4667	1	Air Filter Base	49	144-4724	1	Spark Plug
24	144-4668	1	Prefilter-Foam	50	144-4736	1	Shroud-Tank, Fuel
25	144-4669	1	Air Filter Frame	51	144-4765	4	Screw-HHF
26	144-4770	1	Tube-Wheel Axle				



Count on it.