

**IMPORTANT:**  
Read Before Using

**IMPORTANT :**  
Lire avant usage

**IMPORTANTE:**  
Leer antes de usar

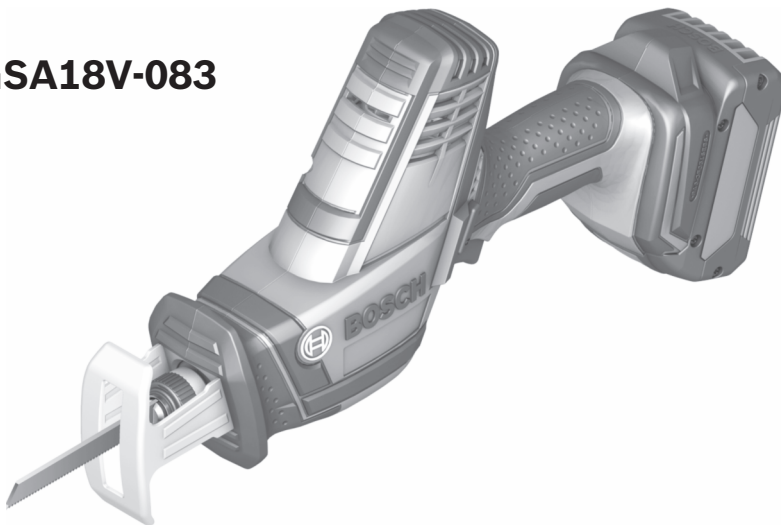


**Operating/Safety Instructions**

**Consignes de fonctionnement/sécurité**

**Instrucciones de funcionamiento y seguridad**

**GSA18V-083**



**BOSCH**

**Call Toll Free for  
Consumer Information  
& Service Locations**

**Pour obtenir des informations  
et les adresses de nos centres  
de service après-vente,  
appelez ce numéro gratuit**

**Llame gratis para  
obtener información  
para el consumidor y  
ubicaciones de servicio**

**1-877-BOSCH99 (1-877-267-2499) [www.boschtools.com](http://www.boschtools.com)**





**For English Version  
See page 2**

**Version française  
Voir page 12**

**Versión en español  
Ver la página 22**

## Safety Symbols

The definitions below describe the level of severity for each signal word. Please read the manual and pay attention to these symbols.

	<p>This is the safety alert symbol. It is used to alert you to potential personal injury hazards. Obey all safety messages that follow this symbol to avoid possible injury or death.</p>
	<p>DANGER indicates a hazardous situation which, if not avoided, will result in death or serious injury.</p>
	<p>WARNING indicates a hazardous situation which, if not avoided, will result in death or serious injury.</p>
	<p>CAUTION, used with the safety alert symbol, indicates a hazardous situation which, if not avoided, will result in minor or moderate injury.</p>

## General Power Tool Safety Warnings

**WARNING** Read all safety warnings and all instructions. Failure to follow the warnings and instructions may result in electric shock, fire and/or serious injury.

### SAVE ALL WARNINGS AND INSTRUCTIONS FOR FUTURE REFERENCE

The term “power tool” in the warnings refers to your mains-operated (corded) power tool or battery-operated (cordless) power tool.

#### Work area safety

**Keep work area clean and well lit.** Cluttered or dark areas invite accidents.

**Do not operate power tools in explosive atmospheres, such as in the presence of flammable liquids, gases or dust.** Power tools create sparks which may ignite the dust or fumes.

**Keep children and bystanders away while operating a power tool.** Distractions can cause you to lose control.

#### Electrical safety

**Power tool plugs must match the outlet. Never modify the plug in any way. Do not use any adapter plugs with earthed (grounded) power tools.** Unmodified plugs and matching outlets will reduce risk of electric shock.

**Avoid body contact with earthed or grounded surfaces such as pipes, radiators, ranges and refrigerators.** There is an increased risk of electric shock if your body is earthed or grounded.

**Do not expose power tools to rain or wet conditions.** Water entering a power tool will increase the risk of electric shock.

**Do not abuse the cord. Never use the cord for carrying, pulling or unplugging the power tool. Keep cord away from heat, oil, sharp edges or moving parts.** Damaged or entangled cords increase the risk of electric shock.

**When operating a power tool outdoors, use an extension cord suitable for outdoor use.** Use of a cord suitable for outdoor use reduces the risk of electric shock.

**If operating a power tool in a damp location is unavoidable, use a Ground Fault Circuit Interrupter (GFCI) protected supply.** Use of an GFCI reduces the risk of electric shock.

#### Personal safety

**Stay alert, watch what you are doing and use common sense when operating a power tool. Do not use a power tool while you are tired or under the influence of drugs, alcohol or medication.** A moment of inattention while operating power tools may result in serious personal injury.

**Use personal protective equipment. Always wear eye protection.** Protective equipment such as dust mask, non-skid safety shoes, hard hat, or hearing protection used for appropriate conditions will reduce personal injuries.

**Prevent unintentional starting. Ensure the switch is in the off-position before connecting to power source and / or battery pack, picking up or carrying the tool.** Carrying power tools with your finger on the switch or energizing power tools that have the switch on invites accidents.

**Remove any adjusting key or wrench before turning the power tool on.** A wrench or a key left attached to a rotating part of the power tool may result in personal injury.

**Do not overreach. Keep proper footing and balance at all times.** This enables better control of the power tool in unexpected situations.

**Dress properly. Do not wear loose clothing or jewelry. Keep your hair, clothing and gloves away from moving parts.** Loose clothes, jewelry or long hair can be caught in moving parts.

**If devices are provided for the connection of dust extraction and collection facilities, ensure these are connected and properly used.** Use of dust collection can reduce dust-related hazards.

### **Power tool use and care**

**Do not force the power tool. Use the correct power tool for your application.** The correct power tool will do the job better and safer at the rate for which it was designed.

**Do not use the power tool if the switch does not turn it on and off.** Any power tool that cannot be controlled with the switch is dangerous and must be repaired.

**Disconnect the plug from the power source and/or the battery pack from the power tool before making any adjustments, changing accessories, or storing power tools.** Such preventive safety measures reduce the risk of starting the power tool accidentally.

**Store idle power tools out of the reach of children and do not allow persons unfamiliar with the power tool or these instructions to operate the power tool.** Power tools are dangerous in the hands of untrained users.

**Maintain power tools. Check for misalignment or binding of moving parts, breakage of parts and any other condition that may affect the power tool's operation. If damaged, have the power tool repaired before use.** Many accidents are caused by poorly maintained power tools.

**Keep cutting tools sharp and clean.** Properly maintained cutting tools with sharp cutting edges are less likely to bind and are easier to control.

**Use the power tool, accessories and tool bits etc. in accordance with these instructions, taking into account the working conditions and the work to be performed.** Use of the power tool for operations different from those intended could result in a hazardous situation.

### **Battery tool use and care**

**Recharge only with the charger specified by the manufacturer.** A charger that is suitable for one type of battery pack may create a risk of fire when used with another battery pack.

**Use power tools only with specifically designated battery packs.** Use of any other battery packs may create a risk of injury and fire.

**When battery pack is not in use, keep it away from other metal objects like paper clips, coins, keys, nails, screws, or other small metal objects that can make a connection from one terminal to another.** Shorting the battery terminals together may cause burns or a fire.

**Under abusive conditions, liquid may be ejected from the battery, avoid contact. If contact accidentally occurs, flush with water. If liquid contacts eyes, additionally seek medical help.** Liquid ejected from the battery may cause irritation or burns.

### **Service**

**Have your power tool serviced by a qualified repair person using only identical replacement parts.** This will ensure that the safety of the power tool is maintained.

## Safety Rules for Cordless Reciprocating Saws

**Hold power tool by insulated gripping surfaces, when performing an operation where the cutting accessory may contact hidden wiring.** Cutting accessory contacting a "live" wire may make exposed metal parts of the power tool "live" and could give the operator an electric shock.

**Use clamps or another practical way to secure and support the workpiece to a stable platform.** Holding the work by hand or against your body leaves it unstable and may lead to loss of control.

**Do not drill, fasten or break into existing walls or other blind areas where electrical wiring may exist.** If this situation is unavoidable, disconnect all fuses or circuit breakers feeding this worksite.

**Keep hands away from cutting area. Do not reach under the material being cut.** The proximity of the blade to your hand is hidden from your sight.

**Keep hands from between the gear housing and saw blade clamp (plunger).** The reciprocating blade clamp (blade plunger) can pinch your fingers.

**Do not use dull or damaged blades.** Bent blades can break easily or cause kickback.

**Before starting to cut, turn tool "ON" and allow the blade to come to full speed.** Tool can chatter or vibrate if blade speed is too slow at beginning of cut and possibly kickback.

**Always wear safety goggles or eye protection when using this tool. Use a dust mask or respirator for applications which generate dust.**

**Secure material before cutting. Never hold it in your hand or across legs.** Small or thin material may flex or vibrate with the blade, causing loss of control.

**Make certain all adjusting screws (knobs) and the blade clamp are tight before making a cut.** Loose adjusting screws and clamps can cause the tool or blade to slip and loss of control may result.

**When removing the blade from the tool avoid contact with skin and use proper protective gloves when grasping the blade or accessory.** Accessories may be hot after prolonged use.

## Additional Safety Warnings

GFCI and personal protection devices like electrician's rubber gloves and footwear will further enhance your personal safety.

**Do not use AC only rated tools with a DC power supply.** While the tool may appear to work, the electrical components of the AC rated tool are likely to fail and create a hazard to the operator.

**Keep handles dry, clean and free from oil and grease.** Slippery hands cannot safely control the power tool.

**Develop a periodic maintenance schedule for your tool. When cleaning a tool be careful not to disassemble any portion of the tool since internal wires may be misplaced or pinched or safety guard return springs may be improperly mounted.** Certain cleaning agents such as gasoline, carbon tetrachloride, ammonia, etc. may damage plastic parts.

Risk of injury to user. The power cord must only be serviced by a Bosch Factory Service Center or Authorized Bosch Service Station.








**⚠ WARNING** Some dust created by power sanding, sawing, grinding, drilling, and other construction activities contains chemicals known to cause cancer, birth defects or other reproductive harm. Some examples of these chemicals are:

- Lead from lead-based paints,
- Crystalline silica from bricks and cement and other masonry products, and
- Arsenic and chromium from chemically-treated lumber.

Your risk from these exposures varies, depending on how often you do this type of work. To reduce your exposure to these chemicals: work in a well ventilated area, and work with approved safety equipment, such as those dust masks that are specially designed to filter out microscopic particles.

## Symbols

**IMPORTANT:** Some of the following symbols may be used on your tool. Please study them and learn their meaning. Proper interpretation of these symbols will allow you to operate the tool better and safer.

Symbol	Designation / Explanation
V	Volts (voltage)
A	Amperes (current)
Hz	Hertz (frequency, cycles per second)
W	Watt (power)
kg	Kilograms (weight)
min	Minutes (time)
s	Seconds (time)
$\varnothing$	Diameter (size of drill bits, grinding wheels, etc.)
$n_0$	No load speed (rotational speed at no load)
n	Rated speed (maximum attainable speed)
.../min	Revolutions or reciprocation per minute (revolutions, strokes, surface speed, orbits etc. per minute)
0	Off position (zero speed, zero torque...)
1, 2, 3, ... I, II, III,	Selector settings (speed, torque or position settings. Higher number means greater speed)
	Infinitely variable selector with off (speed is increasing from 0 setting)
	Arrow (action in the direction of arrow)
	Alternating current (type or a characteristic of current)
	Direct current (type or a characteristic of current)
	Alternating or direct current (type or a characteristic of current)
	Class II construction (designates double insulated construction tools)
	Earthing terminal (grounding terminal)

## Symbols (continued)

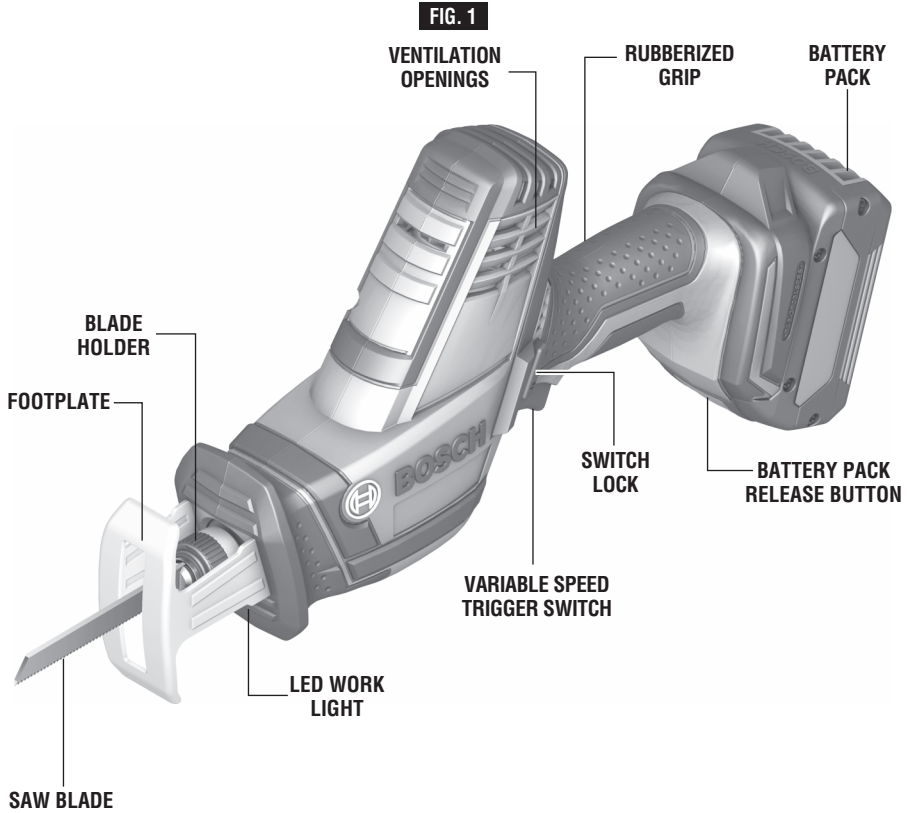
**IMPORTANT:** Some of the following symbols may be used on your tool. Please study them and learn their meaning. Proper interpretation of these symbols will allow you to operate the tool better and safer.

Symbol	Designation / Explanation
	Designates Li-ion battery recycling program
	Designates Ni-Cad battery recycling program
	Alerts user to read manual
	Alerts user to wear eye protection
	This symbol designates that this tool is listed by Underwriters Laboratories.
	This symbol designates that this component is recognized by Underwriters Laboratories.
	This symbol designates that this tool is listed by Underwriters Laboratories, to United States and Canadian Standards.
	This symbol designates that this tool is listed by the Canadian Standards Association.
	This symbol designates that this tool is listed by the Canadian Standards Association, to United States and Canadian Standards.
	This symbol designates that this tool is listed by the Intertek Testing Services, to United States and Canadian Standards.
	This symbol designates that this tool complies to NOM Mexican Standards.

## Functional Description and Specifications

**WARNING** Disconnect battery pack from tool or place the switch in the locked or off position before making any assembly, adjustments or changing accessories. Such preventive safety measures reduce the risk of starting the tool accidentally.

### Cordless Reciprocating Saw



**Model number** .....GSA18V-083  
**Voltage rating** .....18V  $\text{---}$   
**No load speed** .....n0 0-3050/min (SPM)

**Maximum Capacities**  
**Stroke length** .....083" (21mm)

#### Battery Packs/Chargers

Please refer to the Charger Manual included with your tool.

**NOTE:** For tool specifications refer to the nameplate on your tool.

## Assembly

**⚠ WARNING** Disconnect battery pack from tool before making any assembly, adjustments or changing accessories. Such preventive safety measures reduce the risk of starting the tool accidentally.

### Preparing the Saw

#### BLADE SELECTION

No one blade can be efficient on all cutting jobs. Different materials require specially designed blades. Since your reciprocating saw can cut so many materials, many types of BOSCH blades are available. Be sure to use the proper blade to ensure proper cutting performance.

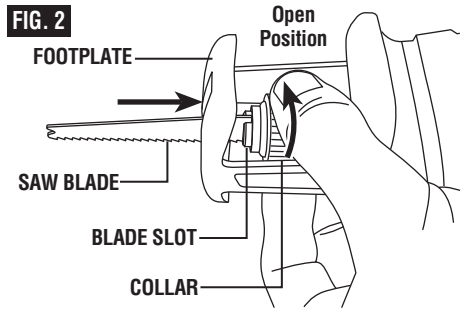
#### INSTALLING A BLADE

1. Insert the blade into the blade holder by twisting the collar in direction of arrow until it stops (Fig. 2).
2. Insert a blade into blade slot until blades shoulder rests against the collar.
3. Release collar and spring loaded collar will securely clamp the blade. (**Note:** If the collar does not return to its original position, rotate the collar in direction opposite of the arrow.)
4. Push in and pull out on the blade to be sure the pin in the clamp housing goes

through the hole in the blade to hold the blade securely. The blade may be inserted with the teeth facing down or up.

5. To remove the blade, rotate the collar in direction of arrow while pulling the blade out of the blade slot. (**Note:** be careful, blade may be hot.)

**⚠ WARNING** Make sure that the front end of the blade extends through the footplate for the entire stroke length. Do not use specialty blades that are very short or those with a significant cant. Blade must not contact footplate. A blade which is too short or tilted could jam inside the foot and snap.



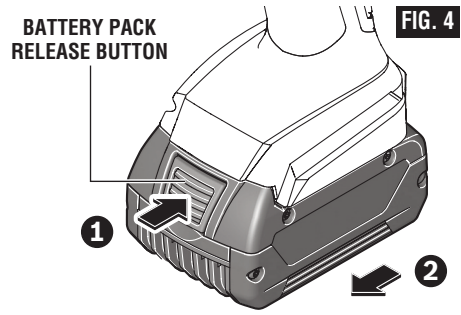
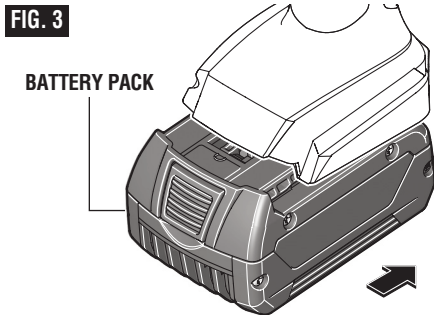
#### INSERTING AND RELEASING BATTERY PACK

Slide charged battery pack into the housing until the battery pack locks into position (Fig. 3).

Your tool is equipped with a secondary locking latch to prevent the battery pack from completely falling out of the handle, should it become loose due to vibration.

To remove the battery pack, press the battery pack release button and slide the battery pack forward (Fig. 4).

Press the battery pack release button again and slide the battery pack completely out of tool housing (Fig. 4).





## Operating Instructions

### PROTECTION AGAINST DEEP DISCHARGING

The lithium ion battery is protected against deep discharging by the "Electronic Cell Protection (ECP)". When the battery is empty, the tool is switched off by means of a protective circuit.

**⚠ CAUTION** Do not continue to press the trigger switch after the tool has been automatically switched off. The battery can be damaged.

### VARIABLE SPEED CONTROLLED TRIGGER SWITCH

Your tool is equipped with a variable speed

controlled trigger switch. The tool can be turned "ON" or "OFF" by squeezing or releasing the trigger. The blade plunger stroke rate can be adjusted from the minimum to maximum nameplate stroke rate by the pressure you apply to the trigger. Apply more pressure to increase the speed and release pressure to decrease speed.

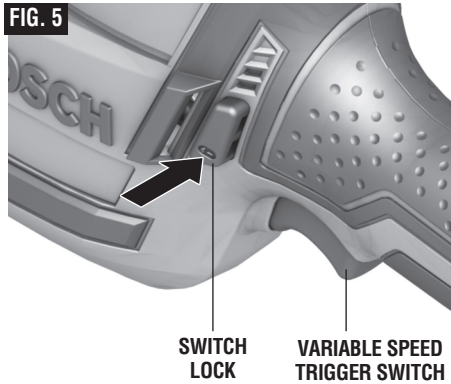
### BUILT-IN LED WORK LIGHT

Your tool is equipped with an LED work light that turns on automatically when the trigger switch is activated. When the tool is turned off, the light turns off (Fig. 1).

### SWITCH LOCK

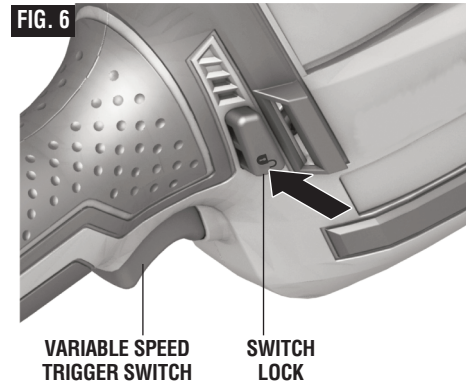
Your tool is equipped with a switch lock located above the trigger. This lever is designed for locking the trigger in the "OFF" position to help prevent accidental starts and accidental battery discharge.

To lock the trigger, press the lock (🔒) side of the switch lock until it clicks (Fig. 5).



**⚠ WARNING** Always move the switch lock to the locked position whenever the tool is not being used.

To unlock trigger, press the unlock (🔓) side of the switch lock until it clicks (Fig. 6).



## Using the Saw

1. Securely clamp the work.
2. Mark the line of cut and grasp the tool with one hand on the handle and the other placed on the insulated rubber boot over the front housing.

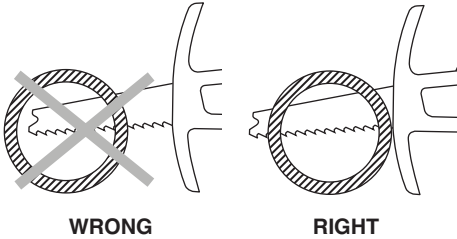
**⚠ WARNING** Always hold the saw by the insulated boot on the front housing. If you saw into a blind area where live wiring exists, you may be shocked or electrocuted.

3. Keep the saw footplate firmly against the work to minimize counter-force (jumping) and vibration.
4. Squeeze the trigger to start the tool. Let the saw reach full speed before starting the cut. Guide the saw so that the blade will move along the marked line.

### SAWING TIPS

Following a few simple tips will reduce the wear on the workpiece, the tool and the operator.

1. Blades cut on the draw or back stroke. On fine work, such as paneling, fiberglass, etc., place the good side of workpiece facing down.
2. Use the correct saw blade for the material being cut and keep extra blades on hand to use when others become dull. Replace cracked or bent blades immediately.
3. Select the appropriate cutting speed.
4. To reduce the risk of injury, be sure the blade always extends beyond the footplate and work throughout the stroke. Blades may shatter if the front on the blade hits the work and/or the footplate.



5. When cutting metal:
  - Apply a lubricant for easier, smoother, faster cutting and longer blade life.
  - For non-ferrous metals, aluminum, bronze or brass, use a stick wax on the blade.
  - For ferrous metals, iron and steel, use machine or cutting oil along the surface to be cut.
6. When cutting thin metal, "sandwich" the material between two pieces of scrap wood. Clamp or put in a bench vise. One piece of lumber on top of the metal can be used with adequate clamping. Place your cut lines or design on the wood.

7. Don't force the cutting. Let the saw and blade do the work.

### POCKET/PLUNGE CUTS

The reciprocating saw can be used to make plunge cuts into softer material, (for example, wood or light building materials for walls), without a starting hole (Fig. 7).

1. Mark the line to be cut clearly on the work.
2. Set the tool with one edge of the footplate firmly against the material.
3. Place the tip of the blade (not running) on the line to be cut.
4. Tilt the saw so that the blade clears the work.
5. Squeeze the trigger switch and carefully engage the moving saw blade into the material.
6. After the blade penetrates through the work, continue sawing along the marked outline.

### NOTES:

To make plunge cutting easier, use a heavy gauge blade, install the blade with the teeth facing upward, and hold the saw upside down as shown (Fig. 8).

Do not plunge cut in metal surfaces.

In thick materials and in harder materials, such as metal, plunge cutting should not be attempted. Such materials can be cut with the recip saw only by starting the cut from the edge of the material or from a hole drilled all the way through the material that is large enough to fit the saw blade.

**⚠ WARNING** The use of any accessories not specified in this manual may create a hazard.

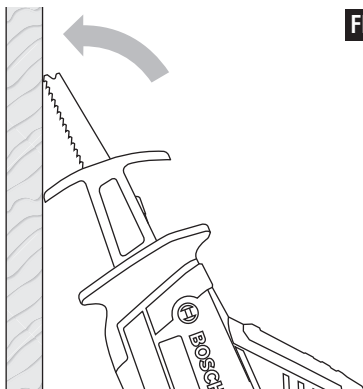


FIG. 7

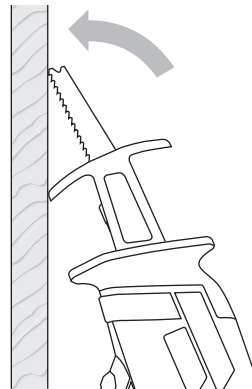


FIG. 8

## Maintenance

### Service

**⚠ WARNING** **NO USER SERVICEABLE PARTS INSIDE.** Preventive maintenance performed by unauthorized personnel may result in misplacing of internal wires and components which could cause serious hazard. We recommend that all tool service be performed by a Bosch Factory Service Center or Authorized Bosch Service Station. **SERVICEMEN:** Disconnect tool and/or charger from power source before servicing.

### BATTERIES

**Be alert for battery packs that are nearing their end of life.** If you notice decreased tool performance or significantly shorter running time between charges then it is time to replace the battery pack. Failure to do so can cause the tool to operate improperly or damage the charger.

### TOOL LUBRICATION

Your Bosch tool has been properly lubricated and is ready for use.

### D.C. MOTORS

The motor in your tool has been engineered for many hours of dependable service. To maintain peak efficiency of the motor, we recommend it be examined every six months. Only a genuine Bosch replacement motor specially designed for your tool should be used.

### Cleaning

**⚠ WARNING** **To avoid accidents, always disconnect the tool and/or charger from the power supply before cleaning.** The tool may be cleaned most effectively with compressed dry air. **Always wear safety goggles when cleaning tools with compressed air.**

Ventilation openings and switch levers must be kept clean and free of foreign matter. Do not attempt to clean by inserting pointed objects through opening.

**⚠ CAUTION** **Certain cleaning agents and solvents damage plastic parts.** Some of these are: gasoline, carbon tetrachloride, chlorinated cleaning solvents, ammonia and household detergents that contain ammonia.

## Accessories

\* Reciprocating saw blades

(\* = standard equipment)

(\*\* = optional accessories)

## Symboles relatifs à la sécurité

Les définitions ci-dessous décrivent le niveau de gravité pour chaque terme signalant un danger. Veuillez lire le mode d'emploi et lire la signification de ces symboles.

	<p>C'est le symbole d'alerte relatif à la sécurité. Il est utilisé pour vous avertir de l'existence possible d'un danger de lésion corporelle. Obéissez à tous les messages relatifs à la sécurité qui suivent ce symbole pour éviter tout risque de blessure ou même de mort.</p>
	<p>DANGER indique une situation dangereuse qui, si elle n'est pas évitée, causera la mort d'une personne ou une blessure grave.</p>
	<p>AVERTISSEMENT indique une situation dangereuse qui, si elle n'est pas évitée, causera la mort d'une personne ou une blessure grave.</p>
	<p>MISE EN GARDE, conjointement avec le symbole d'alerte en liaison avec la sécurité, indique une situation dangereuse qui, si elle n'est pas évitée, causera une blessure légère ou modérée.</p>

## Avertissements généraux concernant la sécurité des outils électroportatifs

**AVERTISSEMENT** Veuillez lire tous les avertissements et toutes les consignes de sécurité. Si l'on n'observe pas ces avertissements et ces consignes de sécurité, il existe un risque de choc électrique, d'incendie et/ou de blessures corporelles graves.

### CONSERVEZ TOUS LES AVERTISSEMENTS ET TOUTES LES CONSIGNES DE SÉCURITÉ POUR RÉFÉRENCE FUTURE.

Dans les avertissements, le terme « outil électroportatif » se rapporte à votre outil branché sur le secteur (avec fil) ou à votre outil alimenté par piles (sans fil).

#### Sécurité du lieu de travail

**Maintenez le lieu de travail propre et bien éclairé.** Les risques d'accident sont plus élevés quand on travaille dans un endroit encombré ou sombre.

**N'utilisez pas d'outils électroportatifs dans des atmosphères explosives, comme par exemple en présence de gaz, de poussières ou de liquides inflammables.** Les outils électroportatifs produisent des étincelles qui risquent d'enflammer les poussières ou les vapeurs.

**Éloignez les enfants et les visiteurs quand vous vous servez d'un outil électroportatif.** Vous risquez une perte de contrôle si on vous distrait.

#### Sécurité électrique

**Les fiches des outils électroportatifs doivent correspondre à la prise. Il ne faut absolument jamais modifier la fiche. N'utilisez pas d'adaptateur de prise avec des outils électroportatifs munis d'une fiche de terre.** Le risque de choc électrique est moindre si on utilise une fiche non modifiée sur une prise qui lui correspond.

**Évitez tout contact du corps avec des surfaces reliées à la terre tels que tuyaux, radiateurs, gazinières ou réfrigérateurs.** Le risque de choc électrique augmente

si votre corps est relié à la terre.

**N'exposez pas les outils électroportatifs à la pluie ou à l'humidité.** Si de l'eau pénètre dans un outil électroportatif, le risque de choc électrique augmente.

**Ne maltraitez pas le cordon. Ne vous en servez jamais pour transporter l'outil électroportatif, pour le tirer ou pour le débrancher. Éloignez le cordon de la chaleur, des huiles, des arêtes coupantes ou des pièces mobiles.** Les cordons abîmés ou emmêlés augmentent les risques de choc électrique.

**Si vous utilisez un outil électroportatif à l'extérieur, employez une rallonge conçue pour l'extérieur.** Ces rallonges sont faites pour l'extérieur et réduisent le risque de choc électrique.

**S'il est absolument nécessaire d'utiliser l'outil électroportatif dans un endroit humide, utilisez une alimentation protégée par un disjoncteur de fuite de terre (GFCI).** L'utilisation d'un disjoncteur GFCI réduit les risques de choc électrique.

#### Sécurité personnelle

**Restez concentré, faites attention à ce que vous faites, et servez-vous de votre bon sens lorsque vous utilisez un outil électroportatif. N'employez pas d'outils électroportatifs quand vous êtes fatigué ou**

sous l'emprise de drogues, d'alcool ou de médicaments. Quand on utilise des outils électroportatifs, il suffit d'un moment d'inattention pour causer des blessures corporelles graves.

**Utilisez des équipements de sécurité personnelle. Portez toujours une protection oculaire.** Le port d'équipements de sécurité tels que des masques antipoussières, des chaussures de sécurité antidérapantes, des casques de chantier et des protecteurs d'oreilles dans des conditions appropriées réduira le risque de blessure corporelle.

**Évitez les démarrages intempestifs. Assurez-vous que l'interrupteur est dans la position arrêt (Off) avant de brancher l'outil dans une prise de courant et/ou un bloc-piles, de le ramasser ou de le transporter.** Le transport d'un outil électroportatif avec le doigt sur la gâchette ou le branchement de cet outil quand l'interrupteur est en position de marche (ON) est une invite aux accidents.

**Enlevez toutes les clés de réglage avant de mettre l'outil électroportatif en marche.** Si on laisse une clé sur une pièce tournante de l'outil électroportatif, il y a risque de blessure corporelle.

**Ne vous penchez pas. Conservez toujours une bonne assise et un bon équilibre.** Ceci vous permettra de mieux maîtriser l'outil électroportatif dans des situations inattendues.

**Habillez-vous de manière appropriée. Ne portez pas de vêtements amples ou de bijoux. Attachez les cheveux longs. N'approchez pas les cheveux, les vêtements ou les gants des pièces en mouvement.** Les vêtements amples, les bijoux ou les cheveux longs risquent d'être happés par les pièces en mouvement.

**Si l'outil est muni de dispositifs permettant le raccordement d'un système d'aspiration et de collecte des poussières, assurez-vous que ces dispositifs sont raccordés et utilisés correctement.** L'utilisation d'un dépoussiéreur peut réduire les dangers associés à l'accumulation de poussière.

### Utilisation et entretien des outils électroportatifs

**Ne forcez pas sur l'outil électroportatif. Utilisez l'outil électroportatif qui convient à la tâche à effectuer.** L'outil qui convient à la tâche fait un meilleur travail et est plus sûr à la vitesse pour lequel il a été conçu.

**Ne vous servez pas de l'outil électroportatif si son interrupteur ne parvient pas à le mettre en marche ou à l'arrêter.** Tout outil électroportatif qui ne peut pas être commandé par son interrupteur est dangereux et doit être réparé.

**Débranchez la fiche de la prise ou enlevez le bloc-pile de l'outil électroportatif avant tout réglage, changement d'accessoires ou avant de ranger l'outil électroportatif.** De telles mesures de sécurité préventive réduisent le risque de démarrage intempestif de l'outil électroportatif.

**Rangez les outils électroportatifs dont vous ne vous servez pas hors de portée des enfants et ne permettez pas à des personnes qui ne connaissent pas l'outil électroportatif ou qui ignorent ces consignes de s'en servir.** Les outils électroportatifs sont dangereux dans les mains d'utilisateurs inexpérimentés.

**Entretenez les outils électroportatifs. Vérifiez que les pièces mobiles sont alignées correctement et ne coincent pas. Vérifiez qu'il n'y a pas de pièces cassées ou d'autre circonstance qui risquent d'affecter le fonctionnement de l'outil électroportatif. Si l'outil est abîmé, faites-le réparer avant de l'utiliser.** De nombreux accidents sont causés par des outils électroportatifs mal entretenus.

**Maintenez les outils coupants affûtés et propres.** Les outils coupants entretenus correctement et dotés de bords tranchants affûtés sont moins susceptibles de coincer et sont plus faciles à maîtriser.

**Utilisez l'outil électroportatif, les accessoires et les embouts d'outil, etc. conformément à ces instructions, en tenant compte des conditions de travail et des travaux à réaliser.** L'emploi d'outils électroportatifs pour des tâches différentes de celles pour lesquelles ils ont été prévus peut résulter en une situation dangereuse.

### Utilisation et entretien des outils à piles

**Rechargez les piles uniquement avec le chargeur spécifié par le fabricant.** Un chargeur qui convient à un type de bloc-piles peut entraîner un risque d'incendie quand il est utilisé avec un autre bloc-piles.

**Utilisez des outils électroportatifs uniquement avec les bloc-piles spécifiquement désignés pour eux.** L'utilisation de tout autre bloc-piles peut créer un risque de blessures et d'incendie.

**Lorsque le bloc-piles n'est pas utilisé, gardez-le à distances d'autres objets métalliques tels que des trombones, des pièces de monnaie, des clés, des clous, des vis ou de tout autre objet métallique pouvant faire une connexion entre une borne et une autre.** Court-circuiter les bornes des piles peut causer des brûlures ou un incendie.

**Dans des conditions abusives, du liquide peut être éjecté de la pile ; dans un tel cas, évitez tout contact avec ce liquide. Si un contact se produit accidentellement, rincez avec de l'eau. Si le liquide entre en contact avec les yeux, consultez un médecin.** Du liquide éjecté de la pile peut causer des irritations ou des brûlures.

### Entretien

**Faites réparer votre outil électroportatif par un agent de service qualifié n'utilisant que des pièces de rechange identiques.** Ceci assure que la sécurité de l'outil électroportatif est préservée.

## Consignes de sécurité pour les scies égoïnes sans fil

**Tenez l'outil électrique par ses surfaces de préhension isolées lorsque vous effectuez une opération dans le cadre de laquelle l'accessoire de coupe risque d'entrer en contact avec un fil caché.** L'entrée en contact d'un accessoire de coupe avec un fil sous tension pourrait rendre conductrices des parties en métal exposées de l'outil électrique et causer un choc électrique à l'opérateur.

**Utilisez des brides ou d'autres moyens pratiques de brider ou de supporter la pièce sur une plate-forme stable.** Tenir la pièce à la main ou contre le corps est instable et risque de résulter en une perte de contrôle.

**Ne percez, fixez et ne rentrez pas dans des murs existants ou autres endroits aveugles pouvant abriter des fils électriques.** Si cette situation est inévitable, débranchez tous les fusibles ou les disjoncteurs alimentant ce site.

**Éloignez les mains de la zone de coupe. Ne passez pas le bras sous la pièce que vous êtes en train de scier.** Vous ne pourriez pas voir quand votre main s'approche trop près de la lame.

**Éloignez les mains de la zone située entre le boîtier d'engrenages et le porte-lame (poussoir).** Le porte-lame (poussoir de lame) oscille d'avant en arrière et risque de vous pincer les doigts.

**N'utilisez pas de lames émoussées ou abîmées.** Les

lames pliées cassent facilement et risquent de provoquer des soubresauts.

**Avant de commencer à scier, mettez la machine en marche et attendez qu'elle atteigne son plein régime.** La machine risque de brouter, de vibrer ou même de reculer violemment si la vitesse de la lame est trop faible au début du sciage.

**Portez toujours des lunettes de sécurité ou une protection oculaire quand vous utilisez cette machine. Utilisez un masque à poussière ou un masque à gaz pour les applications qui produisent de la poussière.**

**Bridez la pièce avant de la scier. Ne la tenez jamais à la main ou sur vos genoux.** Les pièces petites ou minces risquent de fléchir ou de vibrer, résultant en une perte de contrôle de la machine.

**Assurez-vous que toutes les vis de réglage (boutons) et le porte-lame sont serrés avant de commencer à scier.** Des vis de réglage ou un porte-lame mal serrés peuvent provoquer un patinage de la machine ou de la lame qui pourrait résulter en une perte de contrôle.

**Quand vous enlevez la lame de la machine, évitez de la mettre en contact avec la peau et utilisez des gants de protection appropriés pour saisir la lame ou tout accessoire.** Après un usage prolongé, il se peut que les accessoires soient chauds.

## Avertissements supplémentaires concernant la sécurité

L'emploi d'un GFCI et de dispositifs de protection personnelle tels que gants et chaussures d'électricien en caoutchouc améliorent votre sécurité personnelle.

**N'utilisez pas un outil conçu uniquement pour le C.A. sur une alimentation en C.C.** Même si l'outil semble fonctionner, les composants électriques d'un outil prévu pour le C.A. tomberont probablement en panne et risquent de créer un danger pour l'utilisateur.

**Maintenez les poignées sèches et exemptes d'huile et de graisse.** On ne pas maîtriser un outil électroportatif en toute sécurité quand on a les mains glissantes.

**Créez un agenda d'entretien périodique pour votre outil. Quand vous nettoyez un outil, faites attention de n'en démonter aucune pièce car il est toujours possible de mal remonter ou de pincer les fils internes ou de remonter incorrectement les ressorts de rappel des capots de protection.** Certains agents de nettoyage tels que l'essence, le tétrachlorure de carbone, l'ammoniaque, etc. risquent d'abîmer les plastiques.

**Veillez à ce que l'interrupteur soit dans la position de fermeture avant d'insérer le bloc-piles.** L'insertion d'un bloc-piles dans un outil électroportatif dont l'interrupteur est dans la position de marche est une invite aux accidents.









**⚠ AVERTISSEMENT** Les travaux à la machine tel que ponçage, sciage, meulage, perçage et autres travaux du bâtiment peuvent créer des poussières contenant des produits chimiques qui sont des causes reconnues de cancer, de malformation congénitale ou d'autres problèmes reproductifs. Ces produits chimiques sont, par exemple :

- Le plomb provenant des peintures à base de plomb,
- Les cristaux de silices provenant des briques et du ciment et d'autres produits de maçonnerie, et
- L'arsenic et le chrome provenant des bois traités chimiquement.

Le niveau de risque dû à cette exposition varie avec la fréquence de ces types de travaux. Pour réduire l'exposition à ces produits chimiques, il faut travailler dans un lieu bien ventilé et porter un équipement de sécurité approprié tel que certains masques à poussière conçus spécialement pour filtrer les particules microscopiques.

## Symboles

**IMPORTANT** : Certains des symboles suivants peuvent être utilisés sur votre outil. Veuillez les étudier et apprendre leur signification. Une interprétation appropriée de ces symboles vous permettra d'utiliser l'outil de façon plus efficace et plus sûre.

Symbole	Désignation / Explication
V	Volts (voltage)
A	Ampères (courant)
Hz	Hertz (fréquence, cycles par seconde)
W	Watt (puissance)
kg	Kilogrammes (poids)
min	Minutes (temps)
s	Seconds (temps)
	Diamètre (taille des mèches de perceuse, meules, etc.)
$n_0$	Vitesse à vide (vitesse de rotation, à vide)
$n$	Vitesse nominale (vitesse maximum pouvant être atteinte)
.../min	Tours ou mouvement alternatif par minute (tours, coups, vitesse en surface, orbites, etc., par minute)
0	Position d'arrêt (vitesse zéro, couple zéro ...)
1, 2, 3, ... I, II, III,	Réglages du sélecteur (Réglages de vitesse, de couple ou de position. Un nombre plus élevé signifie une vitesse plus grande)
	Sélecteur variable à l'infini avec arrêt (La vitesse augmente depuis le réglage 0)
	Flèche (action dans la direction de la flèche)
	Courant alternatif (type ou caractéristique du courant)
	Courant continu (type ou caractéristique du courant)
	Courant alternatif ou continu (type ou caractéristique du courant)
	Construction classe II (désigne des outils construits avec double isolation)
	Borne de terre (borne de mise à la terre)

## Symboles (suite)

**IMPORTANT** : Certains des symboles suivants peuvent être utilisés sur votre outil. Veuillez les étudier et apprendre leur signification. Une interprétation appropriée de ces symboles vous permettra d'utiliser l'outil de façon plus efficace et plus sûre.

Symbole	Désignation / Explication
	Désigne le programme de recyclage des piles Li-ion.
	Désigne le programme de recyclage des piles Ni-Cad.
	Alerte l'utilisateur pour lire le mode d'emploi
	Alerte l'utilisateur pour porter des lunettes de sécurité
	Ce symbole signifie que cet outil est approuvé par Underwriters Laboratories.
	Ce symbole indique que ce composant est reconnu par Underwriters Laboratories.
	Ce symbole signifie que cet outil est approuvé par Underwriters Laboratories selon les normes des États-Unis et du Canada.
	Ce symbole signifie que cet outil est approuvé par l'Association canadienne de normalisation.
	Ce symbole signifie que cet outil est approuvé par l'Association canadienne de normalisation selon les normes des États-Unis et du Canada.
	Ce symbole signifie que cet outil est approuvé par Intertek Testing Services selon les normes des États-Unis et du Canada
	Ce symbole signifie que cet outil se conforme aux normes mexicaines NOM.

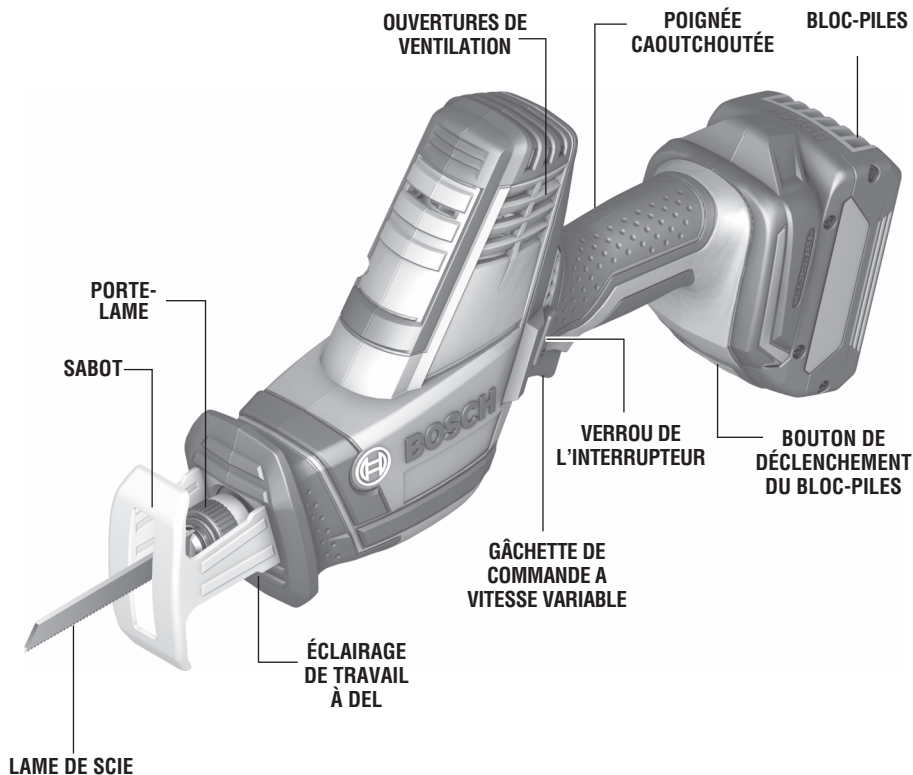


## Description fonctionnelle et spécifications

**AVERTISSEMENT** Débranchez le bloc-piles de l'outil ou placez l'interrupteur à la position de blocage ou d'arrêt avant d'effectuer tout assemblage ou réglage ou de changer les accessoires. Ces mesures de sécurité préventives réduisent le risque d'une mise en marche accidentelle de l'outil.

### Scie égoïne sans fil

FIG. 1



Numéro de modèle .....	GSA18V-083
Tension nominale .....	18V $\equiv$
Régime à vide .....	$n_0$ 0-3050/mn
<b>Capacités maximales</b>	
Longueur de la course.....	0,83 po (21mm)

#### Bloc-piles/chargeurs

Veuillez vous reporter au mode d'emploi de votre pile / chargeur qui accompagne votre outil.

**REMARQUE :** Pour spécifications de l'outil, reportez-vous à la plaque signalétique de votre outil.

## Assemblage

**⚠ AVERTISSEMENT** Débranchez le bloc-piles de l'outil avant d'effectuer tout assemblage ou réglage, ou de changer des accessoires. Ces mesures de sécurité préventives réduisent le risque d'une mise en marche accidentelle de l'outil.

### Apprêt de la scie

#### CHOIX DE LAME

Aucune lame ne peut suffire adéquatement à toutes les tâches. Certains matériaux requièrent des lames spéciales. Étant donné que votre scie va-et-vient peut tailler tant de matériaux, BOSCH met plusieurs types de lames à votre disposition. Pour de meilleurs résultats, prenez soin de choisir la lame qui convient.

#### MONTAGE D'UNE LAME

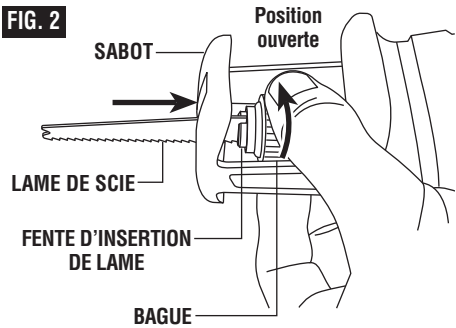
1. Insérez la lame dans le porte-lame en faisant tourner la bague dans le sens de la flèche jusqu'à ce qu'elle s'arrête (Fig. 2).
2. Insérez une lame dans la fente d'insertion de lame jusqu'à ce que l'épaule de la lame repose contre la bague.
3. Relâchez la bague, et la bague à ressort assujettira fermement la lame. (**Remarque** : si la bague ne revient pas dans sa position d'origine, faites-la tourner dans le sens contraire de celui de la flèche.)
4. Tirez et poussez sur la lame pour vous assurer que la goupille du boîtier de porte-lame pénètre dans le trou de la lame afin de maintenir celle-ci fermement

en place. La lame peut être montée avec les dents tournées soit vers le bas, soit vers le haut.

5. Pour retirer la lame, faites tourner la bague dans le sens de la flèche tout en faisant sortir la lame de la fente d'insertion. (**Remarque** : faites très attention car il se peut que la lame soit très chaude.)

**⚠ AVERTISSEMENT** Assurez-vous que l'extrémité avant de la lame dépasse du sabot sur toute la course de la lame. N'utilisez pas de lames spéciales très courtes ou de lames qui sont tordues de manière significative. La lame ne doit pas toucher le sabot. Les lames trop courtes ou tordues risquent de se coincer à l'intérieur du sabot et de casser.

FIG. 2



### INSERTION ET RETRAIT DU BLOC-PILES

Mettez le levier de marche avant/arrière au centre (en position d'arrêt). Faites glisser le bloc-piles chargé dans le bâti jusqu'à ce que le bloc-piles se bloque en position (Fig. 3).

Votre outil est muni d'un loquet de verrouillage secondaire qui empêche le bloc-piles de se séparer complètement de la poignée et de tomber au cas où il viendrait à se décrocher à cause des vibrations.

Pour retirer le bloc-piles, appuyez sur le bouton de déclenchement du bloc-piles et faites glisser le bloc-piles vers l'avant (Fig. 4).

Appuyez une fois de plus sur le bouton de déclenchement du bloc-piles et faites glisser le bloc-piles jusqu'à ce qu'il sorte complètement du bâti de l'outil (Fig. 4).

FIG. 3

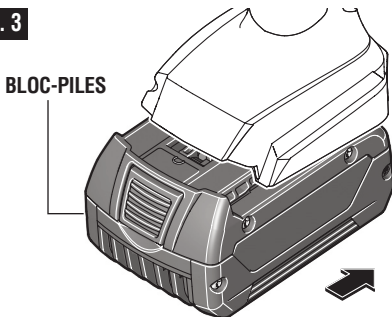
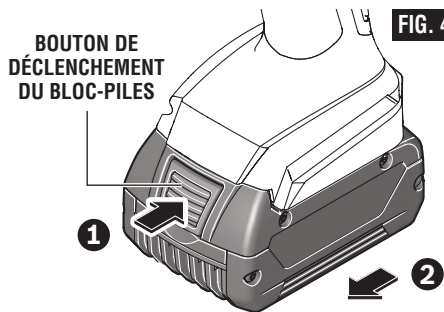


FIG. 4



## Consignes de fonctionnement

### PROTECTION CONTRE LES DÉCHARGES PROFONDES

La pile lithium-ion est protégée contre les décharges profondes par un système ECP (Electronic Cell Protection). La pile lithium-ion est protégée contre les décharges profondes par un système ECP (Electronic Cell Protection). Lorsque la pile est vide, l'outil est mis automatiquement hors service au moyen d'un circuit de protection.

**⚠ MISE EN GARDE** Ne continuez pas à appuyer sur

l'interrupteur à gâchette après la mise hors tension automatique de l'outil. Ceci pourrait endommager les piles.

### GÂCHETTE DE COMMANDE A VITESSE VARIABLE

Votre outil est équipé d'une gâchette de commande à

vitesse variable. L'outil peut être mis en marche ou à l'arrêt en appuyant sur la gâchette ou en relâchant celle-ci. Selon la pression que vous exercez sur la gâchette, vous êtes en mesure d'ajuster la vitesse de course du piston de la lame entre les valeurs minimale et maximale spécifiées sur la plaque signalétique. Exercez plus de pression pour augmenter la vitesse et relâchez la pression pour diminuer la vitesse.

### ÉCLAIRAGE DE TRAVAIL À DEL INCORPORÉ

Votre outil est muni d'un éclairage de travail à DEL qui s'allume automatiquement lorsque l'interrupteur à gâchette est activé. Lorsque l'outil est désactivé, l'éclairage s'éteint (Fig. 1).

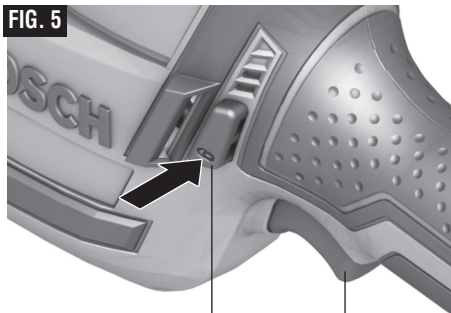
### VERROU DE L'INTERRUPTEUR

Votre outil est muni d'un verrou d'interrupteur qui se trouve au-dessus de la gâchette. Ce levier est conçu pour verrouiller la gâchette en position désactivée « OFF » afin de prévenir tout risque de démarrage accidentel ou de décharge accidentelle des piles.

Pour verrouiller la gâchette, appuyez sur le côté « verrouiller » (🔒) du verrou de l'interrupteur jusqu'à ce que vous entendiez le déclic (Fig. 5).

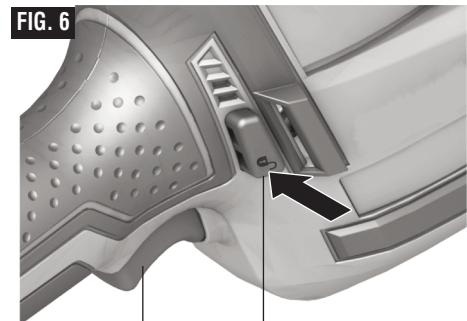
**⚠ AVERTISSEMENT** Mettez toujours le verrou de l'interrupteur en position verrouillée lorsque l'outil n'est pas utilisé.

Pour déverrouiller la gâchette, appuyez sur le côté « déverrouiller » (🔓) du verrou de l'interrupteur jusqu'à ce que vous entendiez un déclic (Fig. 6).



VERROU DE L'INTERRUPTEUR

GÂCHETTE DE COMMANDE A VITESSE VARIABLE



GÂCHETTE DE COMMANDE A VITESSE VARIABLE

VERROU DE L'INTERRUPTEUR

## Utilisation de la scie

1. Brider fermement la pièce.
2. Faire un trait de scie et saisir l'outil en mettant une main sur la poignée et l'autre sur le manchon en caoutchouc recouvrant le boîtier avant.

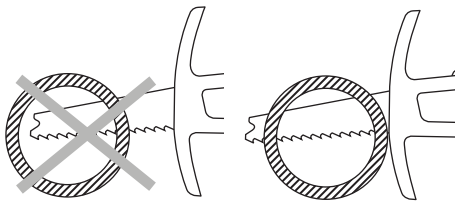
**⚠ AVERTISSEMENT** Tenez toujours la scie par le manchon isolé situé sur le devant du boîtier. Si vous sciez en aveugle dans un endroit contenant des fils sous tension, vous risquez un choc électrique ou une électrocution.

3. Appuyez fermement le sabot contre la pièce pour minimiser la force de réaction (soubresauts) et les vibrations.
4. Appuyez sur la gâchette pour démarrer l'outil. Laissez la scie atteindre son plein régime avant de commencer à scier. Guidez la scie pour que la lame suive le trait de scie.

### CONSEILS POUR LE SCIAGE

Suivez ces quelques conseils simples pour réduire l'usure de la pièce et de l'outil et la fatigue de l'utilisateur.

1. Les lames scient en tirant lors de la course de retour. Pour les travaux fins tels que les panneaux ou la fibre de verre, mettez le côté vu du panneau en dessous (et sciez sur l'envers).
2. Utilisez une lame qui convient au matériau à scier et ayez des lames de rechange à portée de main pour remplacer les lames émoussées. Remplacez immédiatement les lames fissurées ou tordues.
3. Choisissez la vitesse de coupe qui convient.
4. Pour réduire le risque de blessures, assurez-vous que la lame dépasse toujours du sabot et de la pièce sur toute sa course. Si l'avant de la lame heurte le sabot ou la pièce, la lame risque de se fracasser.



NON

OUI

5. Lorsqu'on scie du métal :

- Lubrifiez pour scier plus facilement, plus régulièrement et plus rapidement et pour allonger la durée de vie de la lame.
- Pour les métaux non ferreux, l'aluminium, le bronze ou le laiton mettez de la cire en bâton sur la lame.
- Pour les métaux ferreux, le fer et l'acier mettez de l'huile à machine ou de l'huile de coupe sur la surface à scier.

6. Pour scier des métaux fins, mettez la pièce en sandwich entre deux chutes de bois. Bridez l'ensemble ou mettez-le dans un étau. Si le bridage est suffisant, une seule chute de bois sur le dessus suffit. Faites votre tracé sur la chute de bois.
7. Ne forcez pas sur la scie. Laissez la lame et la scie faire le travail.

### SCIAGES D'ÉVIDEMENTS/EN PLONGÉE

La scie égoïne peut être utilisée pour faire des coupes en plongeant dans les matériaux mous (comme par exemple le bois ou les matériaux de construction légers pour murs) sans faire d'avant-trou (Fig. 7).

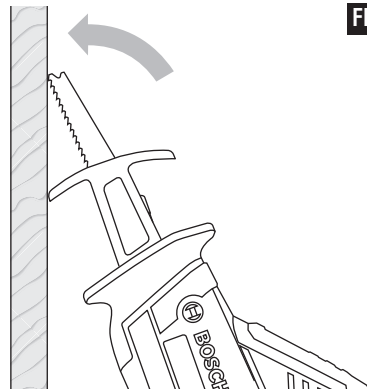


FIG. 7

1. Tracez la ligne de coupe sur la pièce.
2. Maintenez le bord de la semelle fermement appuyé sur le matériau.
3. Placez la pointe de la lame (au repos) sur la ligne de coupe.
4. Inclinez la scie de sorte que la lame ne touche pas au matériau.
5. Appuyez sur la gâchette, puis pivotez soigneusement la lame sur le matériau.
6. Quand la lame pénètre dans le matériau, continuez à scier le long du tracé.

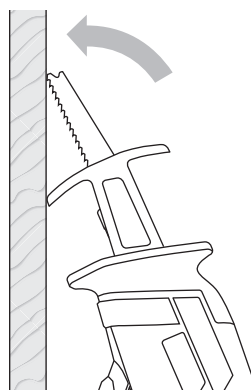
**REMARQUES :**

Pour faciliter le sciage en plongée, utilisez une lame épaisse, montez-la avec les dents vers le haut et tenez la scie à l'envers comme illustré (Fig. 8).

Ne sciez pas en plongeant dans le métal.

Dans les matériaux épais et dans les matériaux durs comme le métal, il ne faut pas scier en plongeant. Pour scier ces matériaux à l'égoïne, il est impératif de partir du bord de la pièce ou d'un avant-trou débouchant d'un diamètre suffisant pour accommoder la lame.

**⚠ AVERTISSEMENT** L'utilisation d'accessoires non mentionnés dans ce mode d'emploi risque de présenter un danger.

**FIG. 8**

## Entretien

**Service**

**⚠ AVERTISSEMENT** IL N'EXISTE À L'INTÉRIEUR AUCUNE PIÈCE SUSCEPTIBLE D'ÊTRE ENTRETENUE PAR L'UTILISATEUR. L'entretien préventif exécuté par des personnes non autorisés peut entraîner un positionnement erroné des composants et des fils internes, ce qui peut présenter de graves dangers. Nous recommandons de confier toute intervention d'entretien sur l'outil à un centre de service-usine Bosch ou à un centre de service après-vente Bosch agréé. **TECHNICIENS :** Débranchez l'outil et/ou le chargeur de la source de courant avant d'entretenir.

**PILES**

**Faire attention aux blocs-piles qui approchent la fin de leur vie.** Si vous remarquez une diminution dans les performances de votre outil ou une durée de fonctionnement réduite de manière significative entre charges, il est temps de remplacer le bloc-piles. S'il n'est pas remplacé, il se peut qu'il endommage le chargeur ou que l'outil fonctionne incorrectement.

**GRAISSAGE DE L'OUTIL**

Votre outil Bosch a été graissé de manière appropriée et il est prêt à l'usage.

**MOTEURS C.C.**

Le moteur de votre outil a été conçu pour de nombreuses heures d'utilisation fiable. Pour maintenir

l'efficacité maximale du moteur, nous recommandons de l'examiner tous les six mois. Seul un moteur de remplacement Bosch authentique, conçu spécialement pour votre outil, doit être utilisé.

**Nettoyage**

**⚠ AVERTISSEMENT** Pour éviter les accidents, débranchez toujours l'outil et/ou le chargeur de la source de courant avant de nettoyer. La façon la plus efficace de nettoyer l'outil est à l'aide d'air sec comprimé. **Portez toujours des lunettes de sécurité en nettoyant les outils à l'air comprimé.**

Gardez les prises d'air et les interrupteurs propres et libres de débris. N'essayez pas de les nettoyer en introduisant des objets pointus dans leurs ouvertures.

**⚠ MISE EN GARDE** Certains agents de nettoyages et certains dissolvants abîment les pièces en plastique. Parmi ceux-ci se trouvent: l'essence, le tétrachlorure de carbone, les dissolvants de nettoyage chlorés, l'ammoniaque ainsi que les détergents domestiques qui en contiennent.

## Accessoires





\* Lames de scies alternatives

(\* = équipement standard)

(\*\* = accessoire en option)

## Símbolos de seguridad

Las definiciones que aparecen a continuación describen el nivel de gravedad de cada palabra de señal de seguridad. Por favor, lea el manual y preste atención a estos símbolos.

	<p>Éste es el símbolo de alerta de seguridad. Se utiliza para alertarle a usted de posibles peligros de lesiones corporales. Obedezca todos los mensajes de seguridad que sigan a este símbolo para evitar posibles lesiones o muerte.</p>
	<p>PELIGRO indica una situación peligrosa que, si no se evita, causará la muerte o lesiones graves.</p>
	<p>ADVERTENCIA indica una situación peligrosa que, si no se evita, causará la muerte o lesiones graves.</p>
	<p>PRECAUCIÓN, cuando se utiliza con el símbolo de alerta de seguridad, indica una situación peligrosa que, si no se evita, causará lesiones leves o moderadas.</p>

## Advertencias generales de seguridad para herramientas mecánicas

**ADVERTENCIA** Lea todas las advertencias de seguridad y todas las instrucciones. Si no se siguen las advertencias e instrucciones, el resultado podría ser sacudidas eléctricas, incendio y/o lesiones graves.

### GUARDE TODAS LAS ADVERTENCIAS E INSTRUCCIONES PARA REFERENCIA FUTURA

La expresión "herramienta mecánica" en las advertencias se refiere a su herramienta mecánica alimentada por la red eléctrica (herramienta alámbrica) o su herramienta mecánica alimentada por baterías (herramienta inalámbrica).

#### Seguridad del área de trabajo

**Mantenga el área de trabajo limpia y bien iluminada.** Las áreas desordenadas u oscuras invitan a que se produzcan accidentes.

**No utilice herramientas mecánicas en atmósferas explosivas, como por ejemplo en presencia de líquidos, gases o polvos inflamables.** Las herramientas mecánicas generan chispas que pueden incendiar el polvo o los vapores.

**Mantenga alejados a los niños y a las personas que estén presentes mientras esté utilizando una herramienta mecánica.** Las distracciones pueden hacerle perder el control de la herramienta.

#### Seguridad eléctrica

**Los enchufes de las herramientas mecánicas deben coincidir con el tomacorriente. No modifique nunca el enchufe de ningún modo. No use enchufes adaptadores con herramientas mecánicas conectadas a tierra (puestas a tierra).** Los enchufes no modificados y los tomacorrientes coincidentes reducirán el riesgo de sacudidas eléctricas.

**Evite el contacto del cuerpo con las superficies conectadas o puestas a tierra, tales como tuberías,**

**radiadores, estufas y refrigeradores.** Hay un aumento del riesgo de sacudidas eléctricas si el cuerpo del operador se conecta o pone a tierra.

**No exponga las herramientas mecánicas a la lluvia o a condiciones mojadas.** La entrada de agua en una herramienta mecánica aumentará el riesgo de que se produzcan sacudidas eléctricas.

**No maltrate el cordón de energía. No use nunca el cordón para transportar la herramienta mecánica, tirar de ella o desenchufarla. Mantenga el cordón alejado del calor, el aceite, los bordes afilados o las piezas móviles.** Los cordones dañados o enganchados aumentan el riesgo de que se produzcan sacudidas eléctricas.

**Cuando utilice una herramienta mecánica en el exterior, use un cordón de extensión adecuado para uso a la intemperie.** La utilización de un cordón adecuado para uso a la intemperie reduce el riesgo de que se produzcan sacudidas eléctricas.

**Si es inevitable utilizar una herramienta mecánica en un lugar húmedo, utilice una fuente de energía protegida por un interruptor de circuito accionado por corriente de pérdida a tierra (GFCI).** El uso de un GFCI reduce el riesgo de sacudidas eléctricas.

## Seguridad personal

**Manténgase alerta, fíjese en lo que está haciendo y use el sentido común cuando esté utilizando una herramienta mecánica. No use una herramienta mecánica cuando esté cansado o bajo la influencia de drogas, alcohol o medicamentos.** Un momento de distracción mientras esté utilizando herramientas mecánicas podría causar lesiones corporales graves.

**Use equipo de protección personal. Use siempre protección de los ojos.** El equipo de protección, como por ejemplo una máscara antipolvo, calzado de seguridad antideslizante, casco o protección de oídos, utilizado para las condiciones apropiadas, reducirá las lesiones corporales.

**Evite el arranque accidental. Asegúrese de que el interruptor esté en la posición de apagado antes de conectar la herramienta a la fuente de energía y / o al paquete de batería, levantar la herramienta o transportarla.** Transportar herramientas mecánicas con un dedo en el interruptor o encender herramientas mecánicas que tengan el interruptor en la posición de encendido invita a que se produzcan accidentes.

**Quite todas las llaves de ajuste o de tuerca antes de encender la herramienta mecánica.** Una llave de tuerca o de ajuste que se deje colocada en una pieza giratoria de la herramienta mecánica podría causar lesiones corporales.

**No intente alcanzar demasiado lejos. Mantenga un apoyo de los pies y un equilibrio apropiados en todo momento.** Esto permite controlar mejor la herramienta mecánica en situaciones inesperadas.

**Vístase adecuadamente. No use ropa holgada ni alhajas holgadas. Mantenga el pelo, la ropa y los guantes alejados de las piezas móviles.** La ropa holgada, las alhajas holgadas o el pelo largo pueden quedar atrapados en las piezas móviles.

**Si se proporcionan dispositivos para la conexión de instalaciones de extracción y recolección de polvo, asegúrese de que dichas instalaciones estén conectadas y se usen correctamente.** El uso de dispositivos de recolección de polvo puede reducir los peligros relacionados con el polvo.

## Uso y cuidado de las herramientas mecánicas

**No fuerce la herramienta mecánica. Use la herramienta mecánica correcta para la aplicación que desee realizar.** La herramienta mecánica correcta hará el trabajo mejor y con más seguridad a la capacidad nominal para la que fue diseñada.

**No use la herramienta mecánica si el interruptor no la enciende y apaga.** Toda herramienta mecánica que no se pueda controlar con el interruptor es peligrosa y debe ser reparada.

**Desconecte el enchufe de la fuente de energía y/o el paquete de batería de la herramienta mecánica antes de hacer cualquier ajuste, cambiar accesorios o almacenar herramientas mecánicas.** Dichas medidas

preventivas de seguridad reducen el riesgo de arrancar accidentalmente la herramienta mecánica.

**Guarde las herramientas que no esté usando fuera del alcance de los niños y no deje que personas que no estén familiarizadas con la herramienta mecánica o con estas instrucciones utilicen la herramienta.** Las herramientas mecánicas son peligrosas en manos de usuarios que no hayan recibido capacitación.

**Mantenga las herramientas mecánicas. Compruebe si hay piezas móviles desalineadas o que se atorán, si hay piezas rotas y si existe cualquier otra situación que podría afectar el funcionamiento de la herramienta mecánica. Si la herramienta mecánica está dañada, haga que la reparen antes de usarla.** Muchos accidentes son causados por herramientas mecánicas mantenidas deficientemente.

**Mantenga las herramientas de corte afiladas y limpias.** Es menos probable que las herramientas de corte mantenidas apropiadamente, con bordes de corte afilados, se atorán, y dichas herramientas son más fáciles de controlar.

**Utilice la herramienta mecánica, los accesorios, las brocas de la herramienta, etc., de acuerdo con estas instrucciones, teniendo en cuenta las condiciones de trabajo y el trabajo que se vaya a realizar.** El uso de la herramienta mecánica para operaciones distintas a aquéllas para las que fue diseñada podría causar una situación peligrosa.

## Uso y cuidado de las herramientas alimentadas por baterías

**Recargue las baterías solamente con el cargador especificado por el fabricante.** Un cargador que es adecuado para un tipo de paquete de batería puede crear un riesgo de incendio cuando se utiliza con otro paquete de batería.

**Utilice las herramientas mecánicas solamente con paquetes de batería designados específicamente.** El uso de cualquier otro paquete de batería puede crear un riesgo de lesiones e incendio.

**Cuando el paquete de batería no se esté usando, manténgalo alejado de otros objetos metálicos, tales como sujetapapeles, monedas, llaves, clavos, tornillos u otros objetos metálicos pequeños que pueden hacer una conexión de un terminal a otro.** Si se cortocircuitan los terminales de la batería uno con otro, se pueden causar quemaduras o un incendio.

**En condiciones abusivas, es posible que se eyecte líquido de la batería. Evite el contacto. Si se produce un contacto accidental, enjuáguese con agua. Si el líquido entra en contacto con los ojos, obtenga además ayuda médica.** El líquido que salga eyectado de la batería puede causar irritación o quemaduras.

## Servicio de ajustes y reparaciones

**Haga que su herramienta mecánica reciba servicio de un técnico de reparaciones calificado, utilizando únicamente piezas de repuesto idénticas.** Esto asegurará que se mantenga la seguridad de la herramienta mecánica.



## Normas de seguridad para sierras alternativas sin cordón

**Agarre la herramienta eléctrica por las superficies de agarre con aislamiento cuando realice una operación en la que el accesorio de corte pueda entrar en contacto con cableado oculto.** Si el accesorio de corte entra en contacto con un cable con corriente, puede que eso haga que las partes metálicas de la herramienta eléctrica que están al descubierto lleven corriente, lo cual podría causar una descarga eléctrica al operador.

**Use abrazaderas u otro modo práctico de sujetar y soportar la pieza de trabajo en una plataforma estable.** Si se sujeta la pieza de trabajo con la mano o contra el cuerpo, se crea una situación inestable que podría causar pérdida de control.

**No taladre, rompa, ni haga trabajo de sujeción en paredes existentes ni en otras áreas ciegas donde pueda haber cables eléctricos.** Si esta situación es inevitable, desconecte todos los fusibles o cortacircuitos que alimentan este sitio de trabajo.

**Mantenga las manos alejadas del área de corte. No ponga las manos debajo del material que se esté cortando.** La proximidad de la hoja a las manos queda oculta a la vista.

**Mantenga las manos alejadas de la posición entre la caja de engranajes y la abrazadera de la hoja de sierra (émbolo).** La abrazadera de la hoja alternativa (émbolo de la hoja) puede pellizcarle los dedos.

**No utilice hojas desafiladas o dañadas.** Las hojas dobladas pueden romperse fácilmente o causar retroceso.

**Antes de comenzar a cortar, encienda la herramienta y deje que la hoja alcance toda su velocidad.** La herramienta puede rechinar o vibrar si la velocidad de la hoja es demasiado baja al comienzo del corte y posiblemente experimentar retroceso.

**Use siempre anteojos de seguridad o protección de los ojos cuando utilice esta herramienta. Use una máscara antipolvo o un respirador cuando realice aplicaciones que generen polvo.**

**Sujete firmemente el material antes de cortarlo. Nunca lo sostenga en la mano o sobre las piernas.** El material pequeño o delgado puede flexionarse o vibrar con la hoja, causando pérdida de control.

**Asegúrese de que todos los tornillos (pomos) de ajuste y la abrazadera de la hoja estén apretados antes de hacer un corte.** Los tornillos de ajuste flojos y las abrazaderas flojas pueden hacer que la herramienta o la hoja resbalen y el resultado podría ser pérdida de control.

**Al quitar la hoja de la herramienta, evite el contacto con la piel y utilice guantes de protección adecuados cuando agarre la hoja o el accesorio.** Los accesorios pueden estar calientes después de un uso prolongado.

## Advertencias de seguridad adicionales

Un GFCI y los dispositivos de protección personal, como guantes de goma y calzado de goma de electricista, mejorarán más su seguridad personal.

**No use herramientas mecánicas con capacidad nominal solamente para CA con una fuente de energía de CC.** Aunque pueda parecer que la herramienta funciona correctamente, es probable que los componentes eléctricos de la herramienta con capacidad nominal para CA fallen y creen un peligro para el operador.

**Mantenga los mangos secos, limpios y libres de aceite y grasa.** Las manos resbalosas no pueden controlar de modo seguro la herramienta mecánica.

**Desarrolle un programa de mantenimiento periódico de la herramienta. Cuando limpie una herramienta, tenga cuidado de no desmontar ninguna de sus partes, ya que los cables internos podrían reubicarse incorrectamente o pellizcarse, o los resortes de retorno de los protectores de seguridad podrían montarse incorrectamente.** Ciertos agentes de limpieza, tales como gasolina, tetracloruro de carbono, amoníaco, etc., podrían dañar las piezas de plástico.

**Asegúrese de que el interruptor esté en la posición de apagado antes de introducir el paquete de batería.** Si

se introduce el paquete de batería en herramientas mecánicas que tengan el interruptor en la posición de encendido, se invita a que se produzcan accidentes.

**⚠ ADVERTENCIA** Cierta polvo generado por el lijado, aserrado, amolado y taladrado mecánicos, y por otras actividades de construcción, contiene agentes químicos que se sabe que causan cáncer, defectos de nacimiento u otros daños sobre la reproducción. Algunos ejemplos de estos agentes químicos son:









- Plomo de pinturas a base de plomo,
- Sílice cristalina de ladrillos y cemento y otros productos de mampostería, y
- Arsénico y cromo de madera tratada químicamente.

Su riesgo por causa de estas exposiciones varía, dependiendo de con cuánta frecuencia realice este tipo de trabajo. Para reducir su exposición a estos agentes químicos: trabaje en un área bien ventilada y trabaje con equipo de seguridad aprobado, como por ejemplo máscaras antipolvo que estén diseñadas especialmente para impedir mediante filtración el paso de partículas microscópicas.



## Símbolos

**IMPORTANTE:** Es posible que algunos de los símbolos siguientes se usen en su herramienta. Por favor, estúdielos y aprenda su significado. La interpretación adecuada de estos símbolos le permitirá utilizar la herramienta mejor y con más seguridad.

Símbolo	Désignación / Explicación
V	Volt (tensión)
A	Ampere (corriente)
Hz	Hertz (frecuencia, ciclos por segundo)
W	Watt (potencia)
kg	Kilogramo (peso)
min	Minuto (tiempo)
s	Segundo (tiempo)
	Diámetro (tamaño de las brocas taladradoras, muelas, etc)
$n_0$	Velocidad sin carga (velocidad rotacional sin carga)
n	Velocidad nominal (máxima velocidad obtenible)
.../min	Revoluciones o alternación por minuto (revoluciones, golpes, velocidad de superficie, órbitas, etc., por minuto)
0	Posición "off" (velocidad cero, par motor cero...)
1, 2, 3, ... I, II, III,	Graduaciones del selector (graduaciones de velocidad, par motor o posición. Un número más alto significa mayor velocidad)
	Selector infinitamente variable con apagado (la velocidad aumenta desde la graduación de 0)
	Flecha (Acción en la dirección de la flecha)
	Corriente alterna (tipo o una característica de corriente)
	Corriente continua (tipo o una característica de corriente)
	Corriente alterna o continua (tipo o una característica de corriente)
	Construcción de clase II (designa las herramientas de construcción con aislamiento doble)
	Terminal de toma de tierra (terminal de conexión a tierra)

## Símbolos (continuación)

**IMPORTANTE:** Es posible que algunos de los símbolos siguientes se usen en su herramienta. Por favor, estúdielos y aprenda su significado. La interpretación adecuada de estos símbolos le permitirá utilizar la herramienta mejor y con más seguridad.

Símbolo	Désignación / Explicación
	Designa el programa de reciclaje de baterías de Li-ion.
	Designa el programa de reciclaje de baterías de Ni-Cd.
	Alerta al usuario para que lea el manual.
	Alerta al usuario para que use protección de los ojos.
	Este símbolo indica que esta herramienta está catalogada por Underwriters Laboratories.
	Este símbolo indica que este componente está reconocido por Underwriters Laboratories.
	Este símbolo indica que Underwriters Laboratories ha catalogado esta herramienta indicando que cumple con las normas estadounidenses y canadienses.
	Este símbolo indica que esta herramienta está catalogada por la Canadian Standards Association.
	Este símbolo indica que la Canadian Standards Association ha catalogado esta herramienta indicando que cumple con las normas estadounidenses y canadienses.
	Este símbolo indica que Intertek Testing Services ha catalogado esta herramienta indicando que cumple con las normas estadounidenses y canadienses.
	Este símbolo indica que esta herramienta cumple con la norma mexicana oficial (NOM).

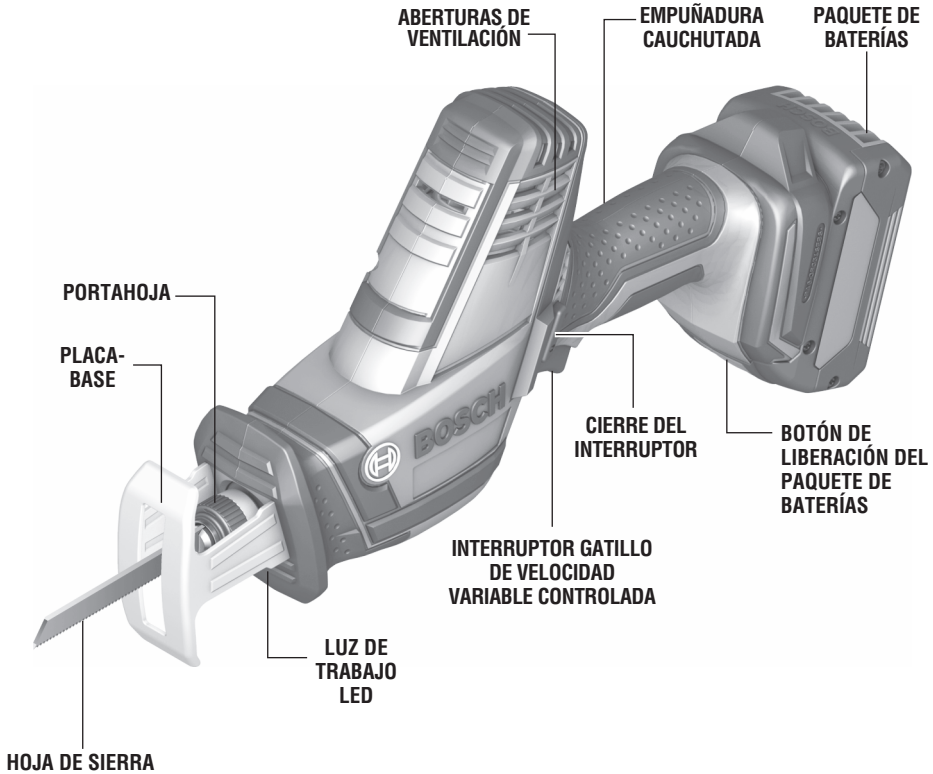
## Descripción funcional y especificaciones



**ADVERTENCIA** Desconecte el paquete de baterías de la herramienta o ponga el interruptor en la posición fijada o de apagado antes de hacer cualquier ensamblaje, ajustes o cambiar accesorios. Dichas medidas preventivas de seguridad reducen el riesgo de arrancar la herramienta accidentalmente.

### Sierra alternativa sin cordón

FIG. 1



Número de modelo .....	GSA18V-083
Tensión nominal .....	18V  MÁX
Velocidad sin carga .....	$n_0$ 0- 3050/min (SPM)
<b>Capacidades máximas</b>	
Longitud de carrera .....	0,83" (21 mm)

#### Paquetes de batería/Cargadores de baterías

Sírvase consultar el Manual de la batería/cargador que se incluye con su herramienta.

**NOTA:** Para obtener las especificaciones de la herramienta, consulte la placa del fabricante colocada en la herramienta.

## Ensamblaje

**⚠ ADVERTENCIA** Desconecte el paquete de batería de la herramienta antes de realizar cualquier ensamblaje, ajuste o cambio de accesorios. Dichas medidas preventivas de seguridad reducen el riesgo de arrancar la herramienta accidentalmente.

### Preparación de la sierra

#### SELECCIÓN DE HOJAS

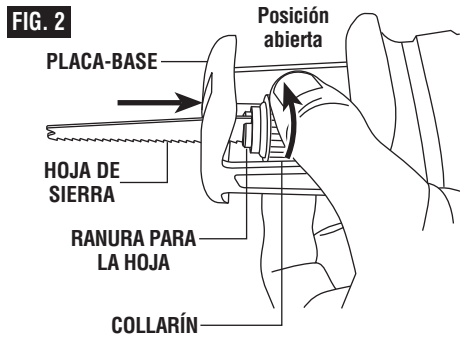
Ninguna hoja puede ser eficaz en todos los trabajos de corte. Materiales diferentes requieren hojas diseñadas especialmente. Como la sierra alternativa puede cortar tantos materiales, hay muchos tipos de hojas BOSCH disponibles. Asegúrese de utilizar la hoja adecuada para asegurar un rendimiento de corte adecuado.

#### INSTALACIÓN DE UNA HOJA

1. Inserte la hoja en el portahoja girando el collarín en el sentido de la flecha hasta que se detenga (Fig. 2).
2. Inserte una hoja en la ranura para la hoja hasta que el hombro de la hoja descansa contra el collarín.
3. Suelte el collarín y el collarín accionado por resorte sujetará firmemente la hoja. (Nota: Si el collarín no regresa a su posición original, rote el collarín en sentido contrario al de la flecha.)
4. Empuje la hoja hacia adentro y tire de ella hacia afuera para asegurarse de que el pasador de la carcasa de la abrazadera atraviese el agujero de la hoja para sujetarla firmemente. La hoja puede introducirse con los dientes orientados hacia abajo o hacia arriba.

5. Para retirar la hoja, rote el collarín en el sentido de la flecha mientras jala la hoja hasta sacarla de la ranura para la hoja. (Nota: Tenga cuidado, la hoja puede estar caliente.)

**⚠ ADVERTENCIA** Asegúrese de que el extremo delantero de la hoja se extienda a través de la placa-base a lo largo de toda la longitud de la carrera. No utilice hojas especiales que sean muy cortas o que tengan una oblicuidad significativa. La hoja no debe hacer contacto con la placa-base. Una hoja que sea demasiado corta u oblicua podría atascarse dentro de la placa-base y romperse bruscamente.



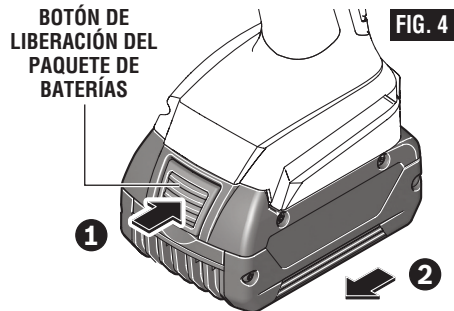
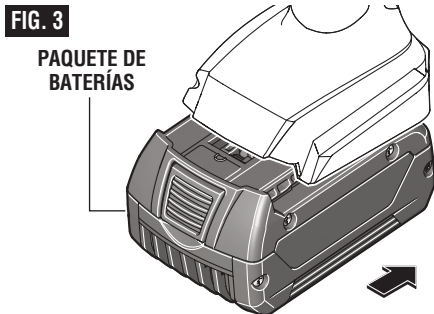
### INTRODUCCIÓN Y SUELTA DEL PAQUETE DE BATERÍAS

Ponga la palanca de avance/inversión en la posición central (de apagado). Deslice el paquete de baterías cargado al interior de la carcasa hasta que dicho paquete se acople en su sitio (Fig. 3).

La herramienta está equipada con un pestillo de fijación secundario para impedir que dicho paquete se caiga y salga completamente del mango, en caso de que se afloje debido a la vibración.

Para quitar el paquete de baterías, oprima el botón de liberación del paquete de baterías y deslice dicho paquete hacia delante (Fig. 4).

Oprima de nuevo el botón de liberación del paquete de baterías y deslice dicho paquete completamente hacia afuera hasta sacarlo de la carcasa de la herramienta (Fig. 4).



## Instrucciones de funcionamiento

### PROTECCIÓN CONTRA LA DESCARGA PROFUNDA

La batería de iones de litio está protegida contra la descarga profunda por la "protección con células electrónicas" (Electronic Cell Protection, ECP). Cuando la batería esté vacía, la herramienta se apagará por medio de un circuito protector.

**⚠ PRECAUCIÓN** No continúe presionando el interruptor gatillo después de que la herramienta se haya apagado automáticamente. La batería se puede dañar.

### INTERRUPTOR GATILLO DE VELOCIDAD VARIABLE CONTROLADA

La herramienta está equipada con un interruptor gatillo de velocidad variable controlada. La herramienta se

puede encender o apagar apretando o soltando el gatillo. La velocidad de golpeo del émbolo de la hoja se puede ajustar desde la velocidad de golpeo mínima hasta la velocidad de golpeo máxima indicadas en la placa del fabricante por medio de la presión que se ejerce sobre el gatillo. Ejercer más presión para aumentar la velocidad y disminuir la presión para reducir la velocidad.

### LUZ DE TRABAJO LED INCORPORADA

La herramienta está equipada con una luz de trabajo LED que se enciende automáticamente al activar el interruptor gatillo. Al apagar la herramienta, la luz se apaga (Fig. 1).

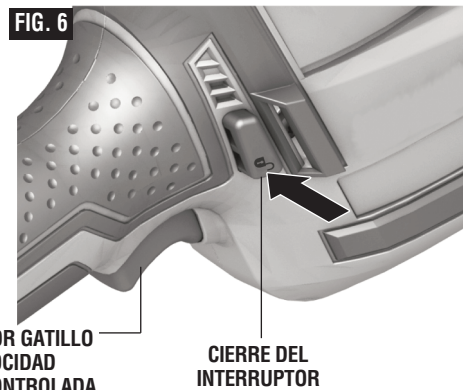
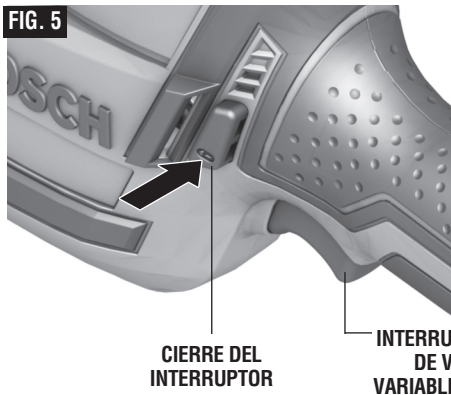
### CIERRE DEL INTERRUPTOR

La herramienta está equipada con un cierre del interruptor ubicado encima del gatillo. Esta palanca está diseñada para bloquear el gatillo en la posición de "APAGADO" con el fin de ayudar a prevenir los arranques accidentales y la descarga accidental de la batería.

Para bloquear el gatillo, presione el lado de bloqueo (🔒) del cierre del interruptor hasta que haga clic (Fig. 5).

**⚠ ADVERTENCIA** Mueva siempre el cierre del interruptor hasta la posición bloqueada cuando la herramienta no se esté utilizando.

Para desbloquear el gatillo, presione el lado de desbloqueo (🔓) del cierre del interruptor hasta que haga clic (Fig. 6).



## Uso de la sierra

1. Fije la pieza de trabajo firmemente con abrazaderas.
2. Marque la línea de corte y agarre la herramienta con una mano en el mango y la otra mano ubicada en la funda de goma asilada que está sobre la carcasa delantera.

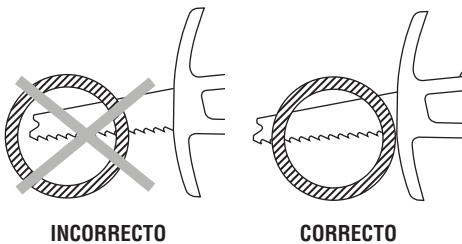
**ADVERTENCIA** Sujete siempre la sierra por la funda aislada que está en la carcasa delantera. Si aserra en un área ciega en la que haya cables con corriente, puede sufrir descargas eléctricas o electrocutarse.

3. Mantenga la placa-base de la sierra firmemente contra la pieza de trabajo para minimizar la contrafuerza (salto) y la vibración.
4. Apriete el gatillo para arrancar la herramienta. Deje que la sierra alcance toda su velocidad antes de comenzar el corte. Guíe la sierra de manera que la hoja se mueva a lo largo de la línea marcada.

### CONSEJOS PARA ASERRAR

A continuación se dan unos sencillos consejos que reducirán el desgaste de la pieza de trabajo y la herramienta, y harán que el operador se canse menos.

1. Las hojas cortan en la carrera de retorno o regreso. En piezas de trabajo finas, como paneles, fibra de vidrio, etc., coloque el lado bueno de la pieza de trabajo orientado hacia abajo.
2. Utilice la hoja de sierra correcta para el material que se esté cortando y tenga a mano hojas adicionales para utilizarlas cuando las otras hojas se desafilan. Reemplace inmediatamente las hojas agrietadas o dobladas.
3. Seleccione la velocidad de corte apropiada.
4. Para reducir el riesgo de lesiones, asegúrese de que la hoja se extienda siempre más allá de la placa-base y la pieza de trabajo a lo largo de toda la carrera. Las hojas pueden hacerse pedazos si su parte delantera golpea la pieza de trabajo y/o la placa-base.



5. Al cortar metal:
  - Aplique un lubricante para realizar cortes más fáciles, suaves y rápidos, así como para prolongar la duración de la hoja.
  - Para metales no ferrosos, aluminio, bronce o latón, utilice una barra de cera en la hoja.

- Para metales ferrosos, hierro y acero, utilice un aceite para maquinaria o de corte a lo largo de la superficie que se vaya a cortar.
6. Cuando corte metal delgado, ponga el material entre dos pedazos de madera de desecho. Fíjelo con abrazaderas o póngalo en un tornillo de carpintero de banco. Puede utilizarse una pieza de madera en la parte superior del metal con sujeción adecuada con abrazaderas. Coloque las líneas de corte o el diseño de corte sobre la madera.
  7. No fuerce el corte. Deje que la sierra y la hoja hagan el trabajo.

### CORTES DE BOLSILLO Y POR PENETRACIÓN

La sierra alternativa puede utilizarse para hacer cortes por penetración en material más blando (por ejemplo, en madera o materiales de construcción ligeros para paredes) sin tener que hacer un agujero de comienzo (Fig. 7).

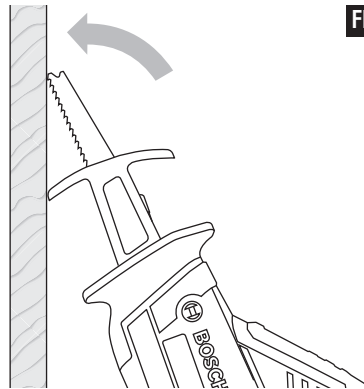


FIG. 7

1. Marque la línea que se va a cortar claramente sobre la pieza de trabajo.
2. Coloque la herramienta con un lado de la placa-base apoyado firmemente contra el material.
3. Coloque la punta de la hoja (sin estar en marcha) sobre la línea que se va a cortar.
4. Incline la sierra para que la hoja no toque la pieza de trabajo.
5. Apriete el interruptor gatillo y cuidadosamente haga que la hoja de sierra en movimiento vaya penetrando en el material.
6. Después de que la hoja haya atravesado la pieza de trabajo, continúe aserrando a lo largo del trazado marcado.

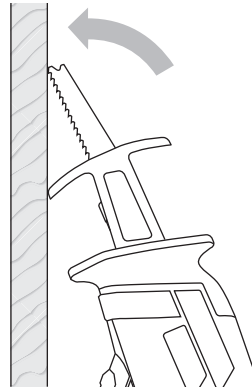
**NOTAS:**

Para facilitar la realización de cortes por penetración, utilice una hoja de calibre pesado, instale la hoja con los dientes orientados hacia arriba y sostenga la sierra en posición invertida de la manera que se muestra en la ilustración (Fig. 8).

No haga cortes por penetración en superficies metálicas.

En materiales gruesos y en materiales más duros, como metal, no debe intentarse hacer cortes por penetración. Dichos materiales pueden cortarse con la sierra alternativa solamente comenzando el corte desde el borde del material o desde un agujero hecho a través de todo el material que sea lo suficientemente grande como para acoplar la hoja de sierra.

**ADVERTENCIA** El uso de cualquier accesorio no especificado en este manual puede crear un peligro.

**FIG. 8**

## Mantenimiento

### Servicio

**ADVERTENCIA** NO HAY PIEZAS EN EL INTERIOR QUE PUEDAN SER AJUSTADAS O REPARADAS POR EL USUARIO. El mantenimiento preventivo realizado por personal no autorizado puede dar lugar a la colocación incorrecta de cables y componentes internos que podría constituir un peligro serio. Recomendamos que todo el servicio de las herramientas sea realizado en un Centro de servicio de fábrica Bosch o en una Estación de servicio Bosch autorizada. **TECNICOS DE REPARACIONES:** Desconecten la herramienta y/o el cargador de la fuente de energía antes de realizar servicio de ajustes y reparaciones.

### BATERÍAS

**Esté alerta a los paquetes de baterías que estén aproximándose al final de su vida útil.** Si observa una disminución del rendimiento de la herramienta o un tiempo de funcionamiento significativamente más corto entre cargas, entonces ha llegado el momento de cambiar el paquete de baterías. Si no se hace esto, el resultado puede ser que la herramienta funcione incorrectamente o que el cargador se dañe.

### LUBRICACION DE LAS HERRAMIENTAS

Su herramienta Bosch ha sido lubricada adecuadamente y está lista para la utilización.

### MOTORES “CORRIENTE DIRECTA”

El motor de la herramienta ha sido diseñado para muchas horas de servicio fiable. Para mantener un rendimiento óptimo del motor, recomendamos que éste sea examinado cada seis meses. Sólo se debe usar un motor de repuesto Bosch genuino diseñado especialmente para la herramienta.

### Limpieza

**ADVERTENCIA** Para evitar accidentes, desconecte siempre la herramienta y/o el cargador de la fuente de energía antes de la limpieza. La herramienta se puede limpiar más eficazmente con aire comprimido seco. **Use gafas de seguridad siempre que limpie herramientas con aire comprimido.**

Las aberturas de ventilación y las palancas de interruptor deben mantenerse limpias y libres de materias extrañas. No intente limpiar introduciendo objetos puntiagudos a través de las aberturas.

**PRECAUCION** Ciertos agentes de limpieza y disolventes dañan las piezas de plástico. Algunos de estos son: gasolina, tetracloruro de carbono, disolventes de limpieza clorados, amoníaco y detergentes domésticos que contienen amoníaco.

## Accesorios

\* Hojas de sierra alternativa

(\* = equipo estándar)

(\*\* = accesorios opcionales)

**LIMITED WARRANTY OF BOSCH PORTABLE AND BENCHTOP POWER TOOLS**

Robert Bosch Tool Corporation ("Seller") warrants to the original purchaser only, that all BOSCH portable and benchtop power tools will be free from defects in material or workmanship for a period of one year from date of purchase. SELLER'S SOLE OBLIGATION AND YOUR EXCLUSIVE REMEDY under this Limited Warranty and, to the extent permitted by law, any warranty or condition implied by law, shall be the repair or replacement of parts, without charge, which are defective in material or workmanship and which have not been misused, carelessly handled, or misrepaired by persons other than Seller or Authorized Service Station. To make a claim under this Limited Warranty, you must return the complete portable or benchtop power tool product, transportation prepaid, to any BOSCH Factory Service Center or Authorized Service Station. For Authorized BOSCH Power Tool Service Stations, please refer to your phone directory.

THIS LIMITED WARRANTY DOES NOT APPLY TO ACCESSORY ITEMS SUCH AS CIRCULAR SAW BLADES, DRILL BITS, ROUTER BITS, JIGSAW BLADES, SANDING BELTS, GRINDING WHEELS AND OTHER RELATED ITEMS.

ANY IMPLIED WARRANTIES SHALL BE LIMITED IN DURATION TO ONE YEAR FROM DATE OF PURCHASE. SOME STATES IN THE U.S., SOME CANADIAN PROVINCES DO NOT ALLOW LIMITATIONS ON HOW LONG AN IMPLIED WARRANTY LASTS, SO THE ABOVE LIMITATION MAY NOT APPLY TO YOU.

IN NO EVENT SHALL SELLER BE LIABLE FOR ANY INCIDENTAL OR CONSEQUENTIAL DAMAGES (INCLUDING BUT NOT LIMITED TO LIABILITY FOR LOSS OF PROFITS) ARISING FROM THE SALE OR USE OF THIS PRODUCT. SOME STATES IN THE U.S. AND SOME CANADIAN PROVINCES DO NOT ALLOW THE EXCLUSION OR LIMITATION OF INCIDENTAL OR CONSEQUENTIAL DAMAGES, SO THE ABOVE LIMITATION OR EXCLUSION MAY NOT APPLY TO YOU.

THIS LIMITED WARRANTY GIVES YOU SPECIFIC LEGAL RIGHTS, AND YOU MAY ALSO HAVE OTHER RIGHTS WHICH VARY FROM STATE TO STATE IN THE U.S., PROVINCE TO PROVINCE IN CANADA AND FROM COUNTRY TO COUNTRY.

THIS LIMITED WARRANTY APPLIES ONLY TO PORTABLE AND BENCHTOP ELECTRIC TOOLS SOLD WITHIN THE UNITED STATES OF AMERICA, CANADA AND THE COMMONWEALTH OF PUERTO RICO. FOR WARRANTY COVERAGE WITHIN OTHER COUNTRIES, CONTACT YOUR LOCAL BOSCH DEALER OR IMPORTER.

**GARANTIE LIMITÉE DES OUTILS ÉLECTRIQUES PORTATIFS ET D'ÉTABLI BOSCH**

Robert Bosch Tool Corporation (le « vendeur ») garantit à l'acheteur initial seulement que tous les outils électriques portatifs et d'établi BOSCH seront exempts de vices de matériaux ou d'exécution pendant une période d'un an depuis la date d'achat. LA SEULE OBLIGATION DU VENDEUR ET LE SEUL RECOURS DE L'ACHETEUR sous la présente garantie limitée, et en autant que la loi le permette sous toute garantie ou condition implicite qui en découlerait, sera l'obligation de remplacer ou réparer gratuitement les pièces défectueuses matériellement ou comme fabrication, pourvu que lesdites déficiences ne soient pas attribuables à un usage abusif ou à quelque réparation bricolée par quelqu'un d'autre que le vendeur ou le personnel d'une station-service agréée. Pour présenter une réclamation en vertu de cette garantie limitée, vous devez renvoyer l'outil électrique portatif ou d'établi complet, port payé, à tout centre de service agréé ou centre de service usine. Veuillez consulter votre annuaire téléphonique pour les adresses.

LA PRÉSENTE GARANTIE NE S'APPLIQUE PAS AUX ACCESSOIRES TELS QUE LAMES DE SCIÉS CIRCULAIRES, MÊCHES DE PERCEUSES, FERS DE TOUPIES, LAMES DE SCIÉS SAUTEUSES, COURROIES DE PÔNÇAGE, MEULES ET AUTRES ARTICLES DU GENRE.

TOUTE GARANTIE IMPLICITE SERA LIMITÉE COMME DURÉE À UN AN À COMPTER DE LA DATE D'ACHAT. CERTAINS ÉTATS AMÉRICAINS, CERTAINES PROVINCES CANADIENNES N'ADMETTANT PAS LE PRINCIPE DE LA LIMITATION DE LA DURÉE DES GARANTIES IMPLICITES, IL EST POSSIBLE QUE LES LIMITATIONS CI-DESSUS NE S'APPLIQUENT PAS À VOTRE CAS.

EN AUCUN CAS LE VENDEUR NE SAURAIT ÊTRE TENU POUR RESPONSABLE DES INCIDENTS OU DOMMAGES INDIRECTS (INCLUANT, MAIS NE SE LIMITANT PAS AUX PERTES DE PROFITS) CONSÉCUTIFS À LA VENTE OU L'USAGE DE CE PRODUIT. CERTAINS ÉTATS AMÉRICAINS ET CERTAINES PROVINCES CANADIENNES N'ADMETTANT PAS LE PRINCIPE DE LA LIMITATION NI L'EXCLUSION DES DOMMAGES INDIRECTS ET CONSÉQUENTIELS, IL EST POSSIBLE QUE LES LIMITATIONS OU EXCLUSIONS CI-DESSUS NE S'APPLIQUENT PAS À VOTRE CAS.

LA PRÉSENTE GARANTIE VOUS ACCORDE DES DROITS BIEN DÉTERMINÉS, Y COMPRIS POSSIBLEMENT CERTAINS DROITS VARIABLES DANS LES DIFFÉRENTS ÉTATS AMÉRICAINS, PROVINCES CANADIENNE ET DE PAYS À PAYS.

CETTE GARANTIE LIMITÉE NE S'APPLIQUE QU'À VOS OUTILS ÉLECTRIQUES PORTATIFS ET D'ÉTABLI VENDUS AUX ÉTATS-UNIS D'AMÉRIQUE, AU CANADA ET AU COMMONWEALTH DE PORTO RICO. POUR COUVERTURE DE GARANTIE DANS LES AUTRES PAYS, CONTACTEZ VOTRE IMPORTATEUR OU REVENDEUR BOSCH LOCAL.

**GARANTIA LIMITADA PARA HERRAMIENTAS MECANICAS PORTATILES Y PARA TABLERO DE BANCO BOSCH**

Robert Bosch Tool Corporation ("el Vendedor") garantiza, únicamente al comprador original, que todas las herramientas mecánicas portátiles y para tablero de banco BOSCH estarán libres de defectos de material o de fabricación durante un periodo de un año a partir de la fecha de compra. LA ÚNICA OBLIGACION DEL VENDEADOR Y EL RECURSO EXCLUSIVO QUE USTED TIENE bajo esta Garantía Limitada y, hasta donde la ley lo permita, bajo cualquier garantía o condición implícita por ley, consistirá en la reparación o sustitución sin costo de las piezas que presenten defectos de material o de fabricación y que no hayan sido utilizadas incorrectamente, manejadas descuidadamente o reparadas incorrectamente por personas que no sean el Vendedor o una Estación de servicio autorizada. Para efectuar una reclamación bajo esta Garantía Limitada, usted debe devolver el producto, que consiste en la herramienta mecánica portátil o para tablero de banco completa, con el transporte pagado, a cualquier Centro de servicio de fábrica o Estación de servicio autorizada. Para Estaciones de servicio autorizadas de herramientas mecánicas BOSCH, por favor, consulte el directorio telefónico.

ESTA GARANTIA LIMITADA NO SE APLICA A ARTICULOS ACCESORIOS TALES COMO HOJAS PARA SIERRAS CIRCULARES, BROCAS PARA TALADROS, BROCAS PARA FRESADORAS, HOJAS PARA SIERRAS DE VAIVEN, CORREAS PARA LIJAR, RUEDAS DE AMOLAR Y OTROS ARTICULOS RELACIONADOS.

TODAS LAS GARANTIAS IMPLICITAS TENDRAN UNA DURACION LIMITADA A UN AÑO A PARTIR DE LA FECHA DE COMPRA. ALGUNOS ESTADOS DE LOS EE.UU. Y ALGUNAS PROVINCIAS CANADIENSES NO PERMITEN LIMITACIONES EN CUANTO A LA DURACION DE UNA GARANTIA IMPLICITA, POR LO QUE ES POSIBLE QUE LA LIMITACION ANTERIOR NO SEA APLICABLE EN EL CASO DE USTED.

EL VENDEADOR NO SERA RESPONSABLE EN NINGUN CASO DE NINGUN DAÑO INCIDENTAL O EMERGENTE (INCLUYENDO PERO NO LIMITADO A RESPONSABILIDAD POR PERDIDA DE BENEFICIOS) QUE SE PRODUZCA COMO CONSECUENCIA DE LA VENTA O UTILIZACION DE ESTE PRODUCTO. ALGUNOS ESTADOS DE LOS EE.UU. Y ALGUNAS PROVINCIAS CANADIENSES NO PERMITEN LA EXCLUSION O LIMITACION DE LOS DAÑOS INCIDENTALES O EMERGENTES, POR LO QUE ES POSIBLE QUE LA LIMITACION O EXCLUSION ANTERIOR NO SEA APLICABLE EN EL CASO DE USTED.

ESTA GARANTIA LIMITADA LE CONFIERE A USTED DERECHOS LEGALES ESPECIFICOS Y ES POSIBLE QUE USTED TAMBIEN TENGA OTROS DERECHOS QUE VARIAN DE ESTADO A ESTADO EN LOS EE.UU., DE PROVINCIA A PROVINCIA EN CANADA Y DE UN PAIS A OTRO.

ESTA GARANTIA LIMITADA SE APLICA SOLAMENTE A HERRAMIENTAS ELECTRICAS PORTATILES Y PARA TABLERO DE BANCO VENDIDAS EN LOS ESTADOS UNIDOS DE AMERICA, CANADA Y EL ESTADO LIBRE ASOCIADO DE PUERTO RICO. PARA COBERTURA DE GARANTIA EN OTROS PAISES, PONGASE EN CONTACTO CON SU DISTRIBUIDOR O IMPORTADOR LOCAL DE BOSCH.

© Robert Bosch Tool Corporation 1800 W. Central Road Mt. Prospect, IL 60056-2230

Exportado por: Robert Bosch Tool Corporation Mt. Prospect, IL 60056-2230, E.U.A.

Importado en México por: Robert Bosch, S.A. de C.V., Calle

Robert Bosch No. 405, Zona Industrial, Toluca, Edo. de

México, C.P. 50070, Tel. (722) 2792300



1 6 0 9 9 2 A 1 S S

160992A1SS 02/16