

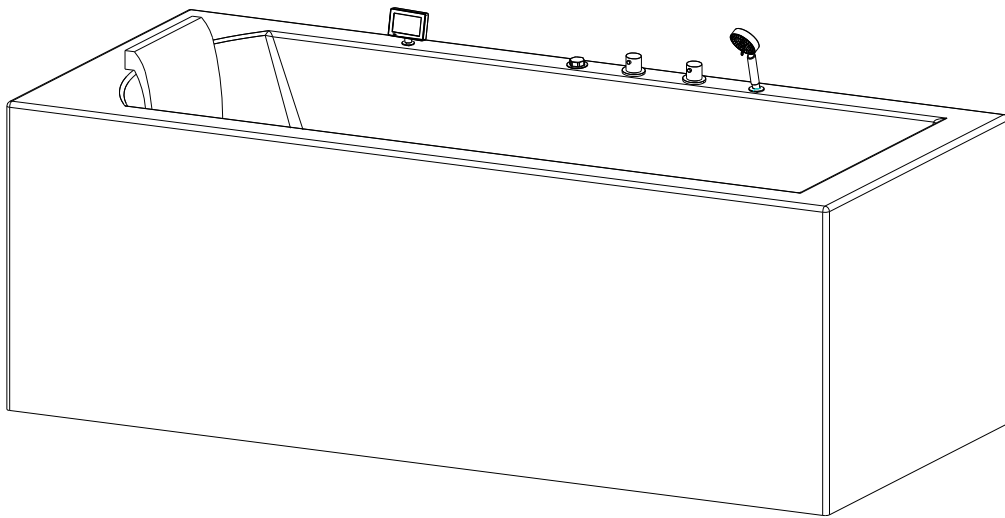
ARIEL

Whirlpool Installation Manual

ARIEL

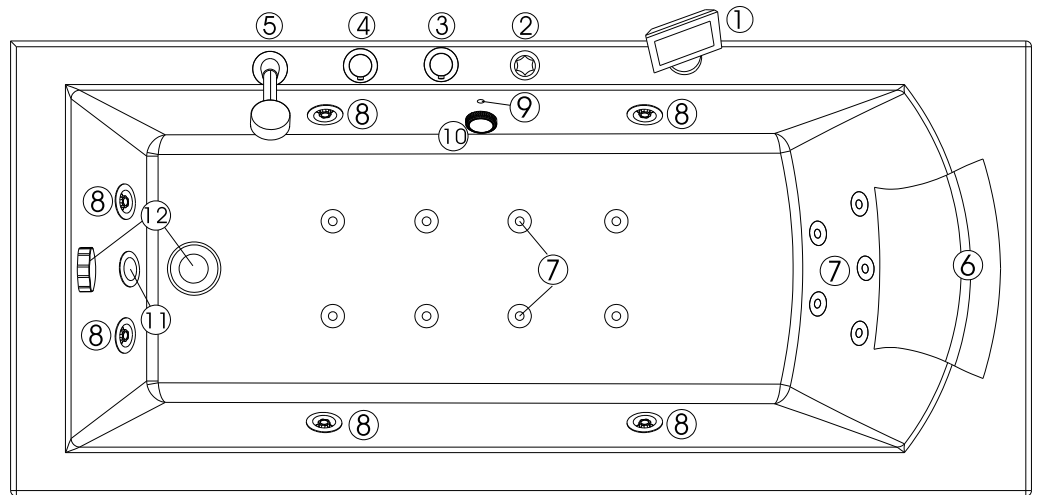
PW1547032LW1

PW1547032RW1

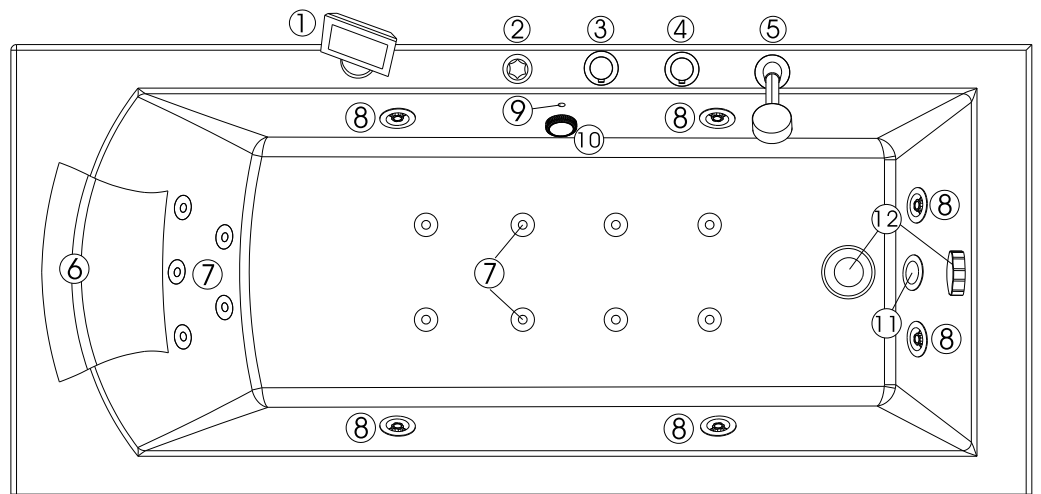


Serial Number:

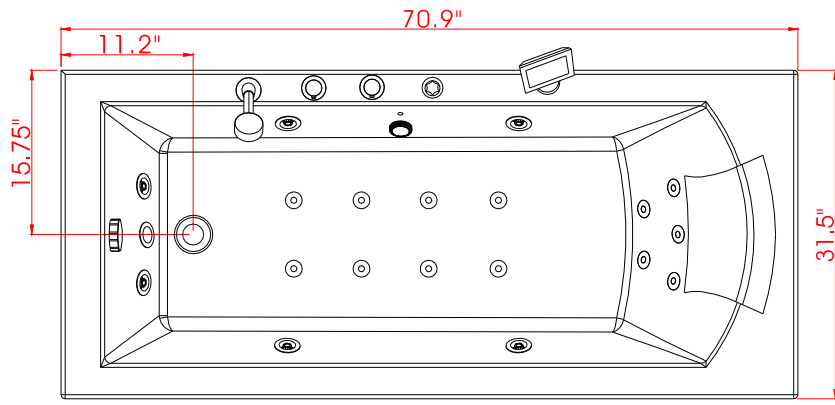
L



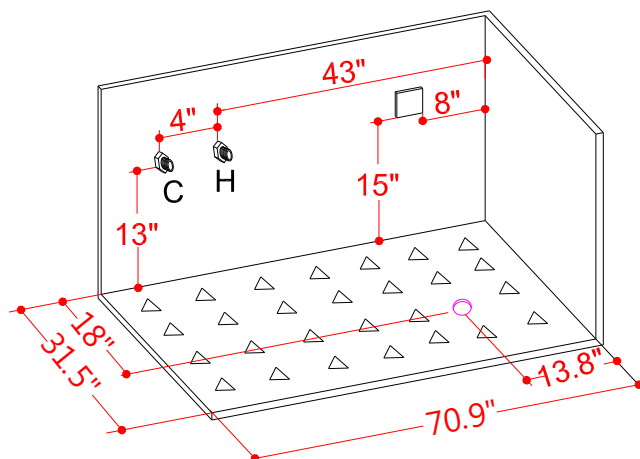
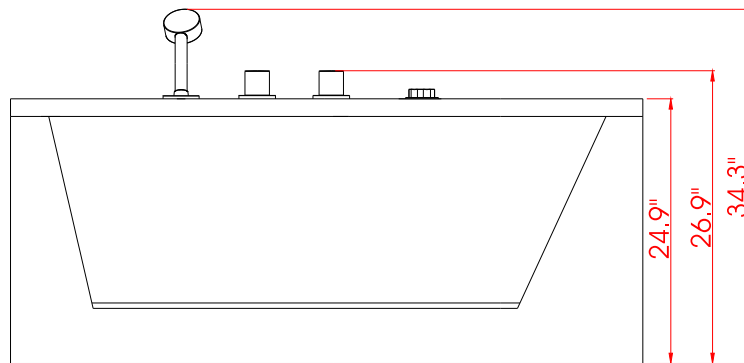
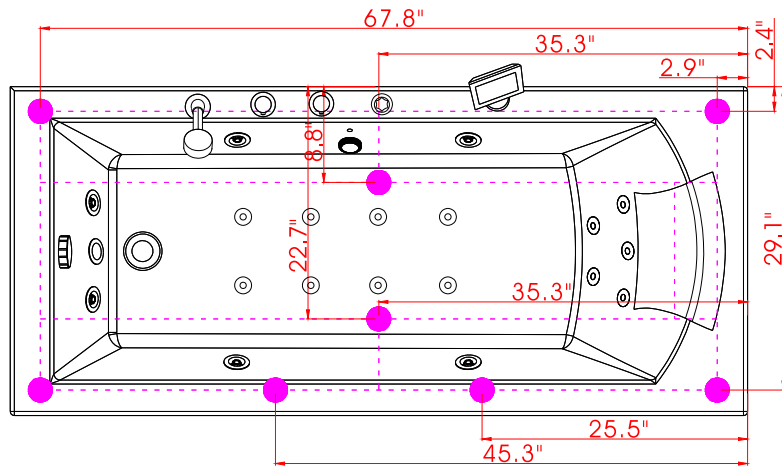
R



Nr.	English	Nr.	English
1	Control Panel	7	Small Jet
2	Air Regulator	8	Large Jet
3	Thermostatic Switch	9	Sensor
4	Function Switch	10	Suction
5	Hand Shower	11	LED Underwater Light
6	Pillow	12	Drainer

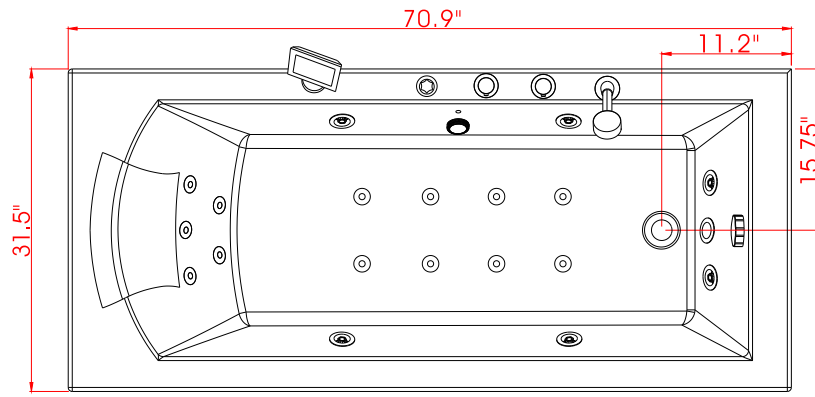


***Actual Drain-Cutout Location**

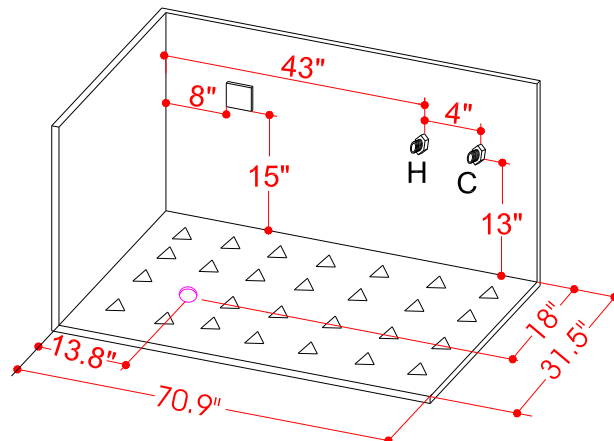
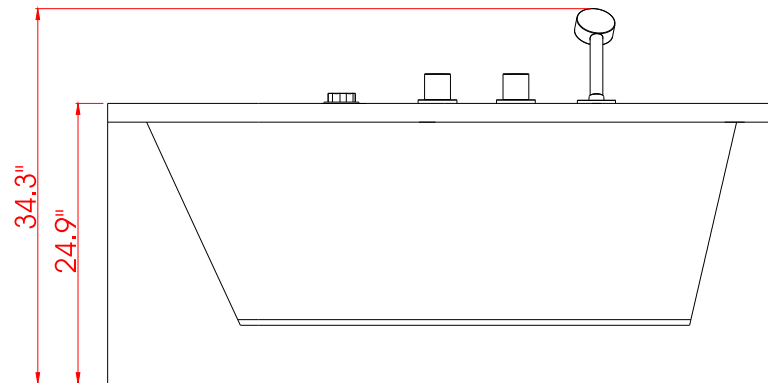
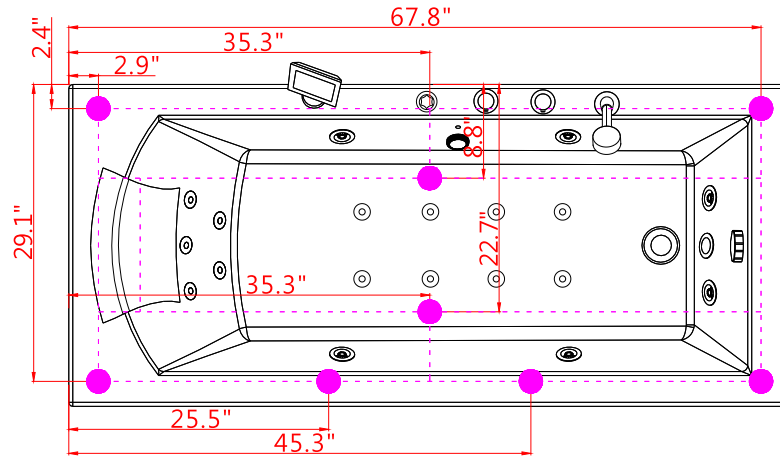


***Optional: Flex-Drain Drain Location**

All measurements are given in Inches
 Designs and sizes can vary. We accept no liability for errors,
 manufacturing tolerance and product changes.



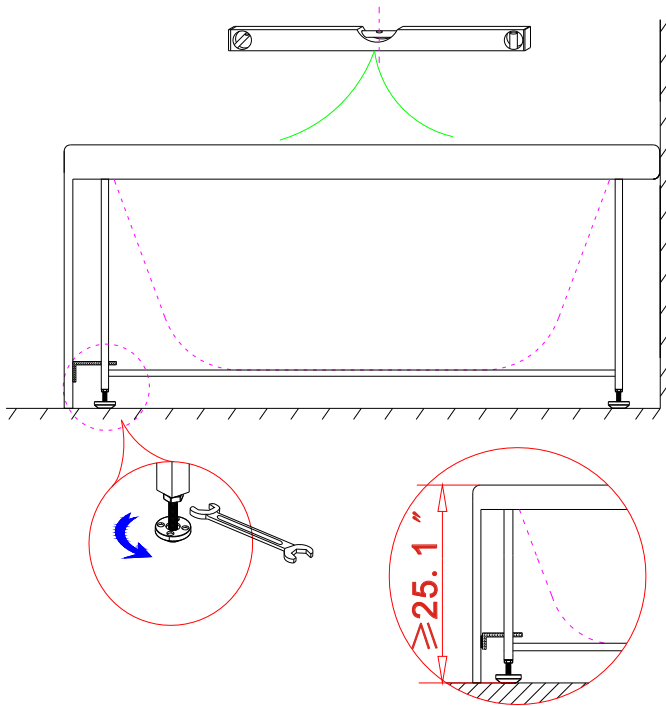
***Actual Drain-Cutout Location**



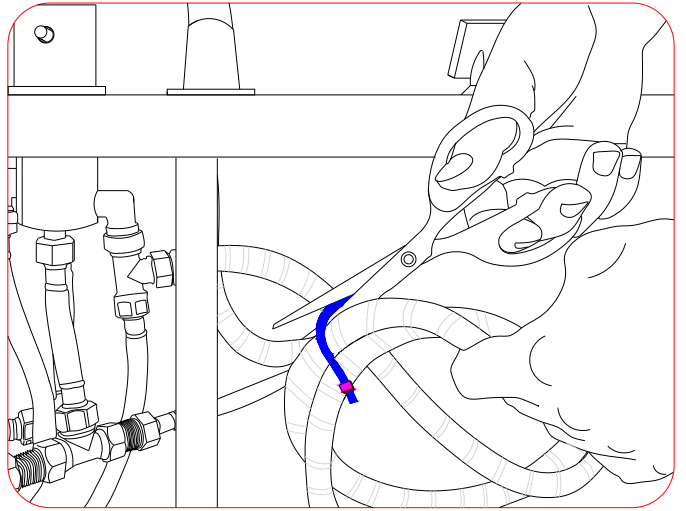
***Optional: Flex-Drain Drain Location**

All measurements are given in Inches
 Designs and sizes can vary. We accept no liability for errors,
 manufacturing tolerance and product changes.

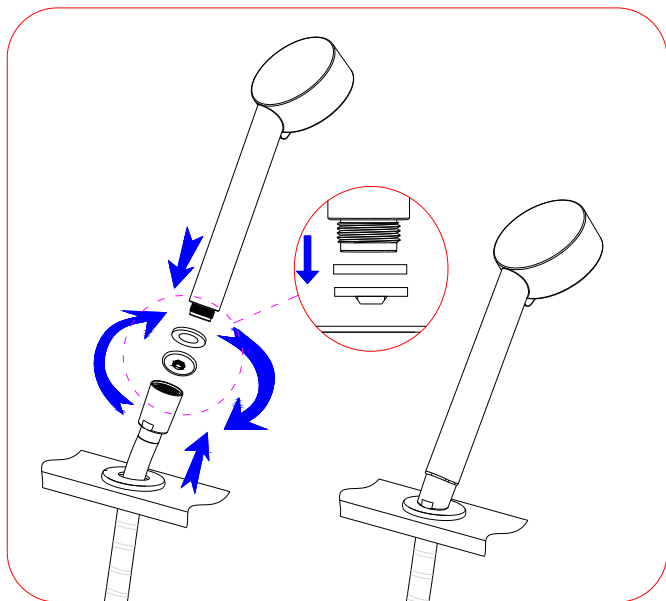
1



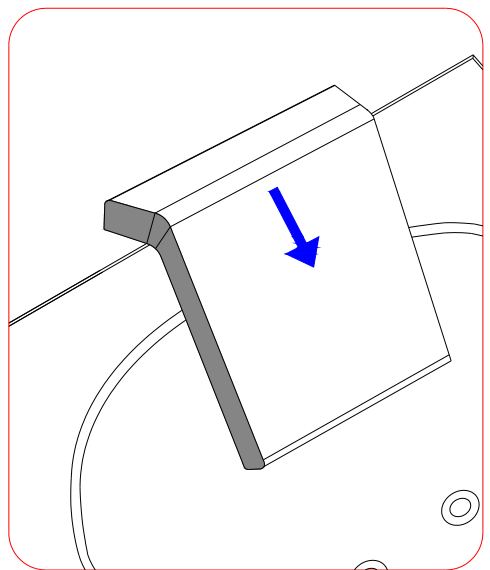
2



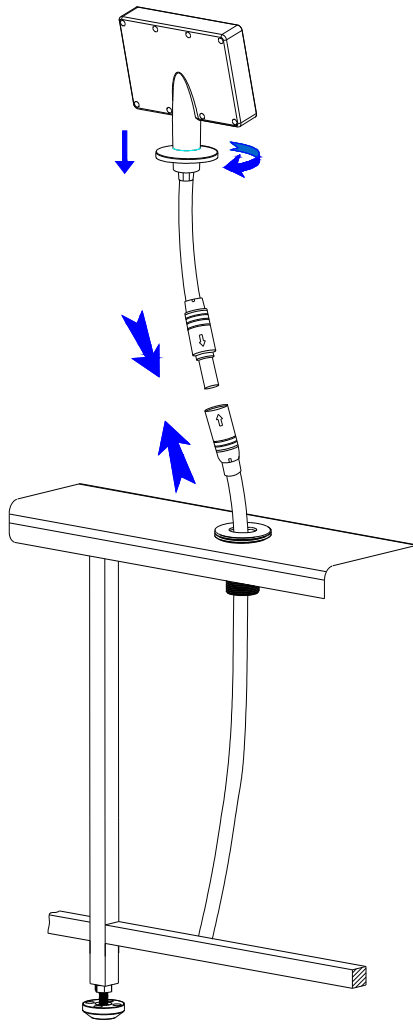
3



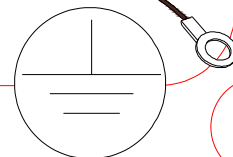
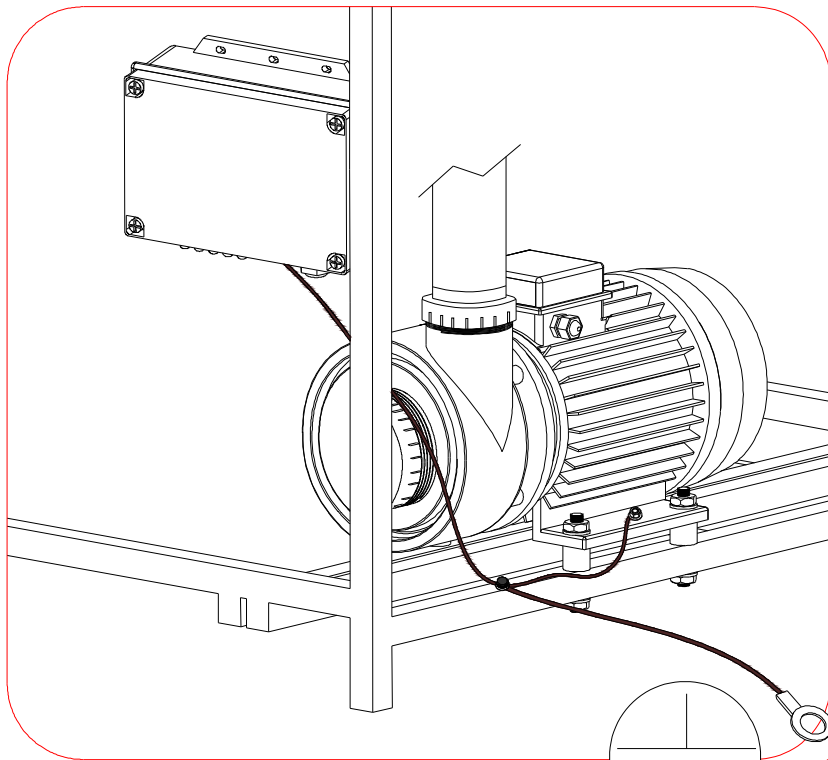
4



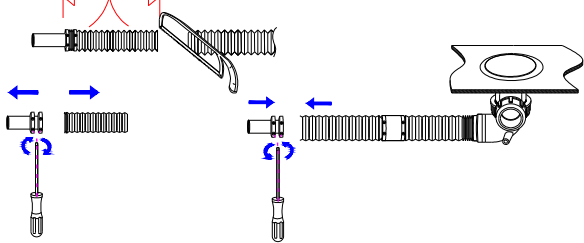
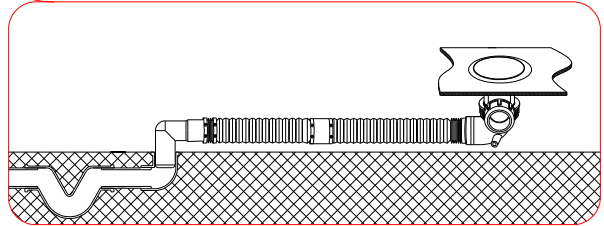
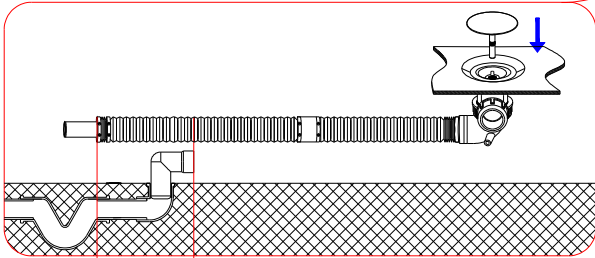
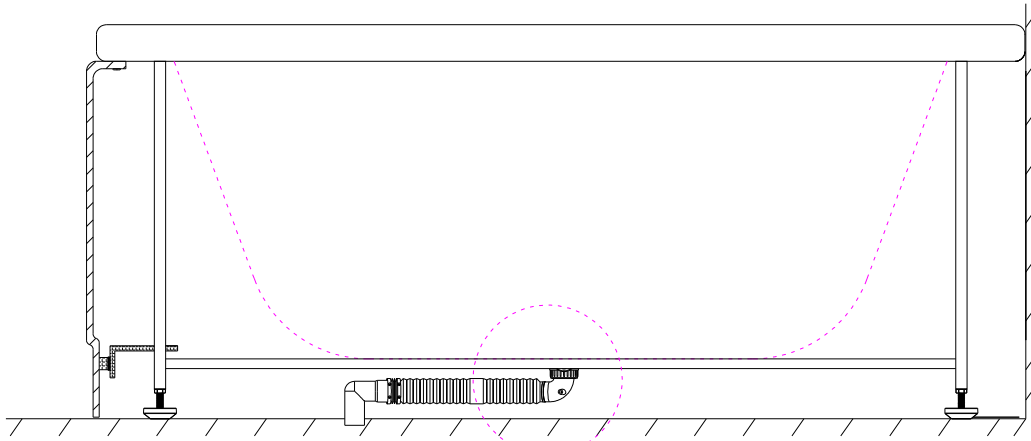
5



6

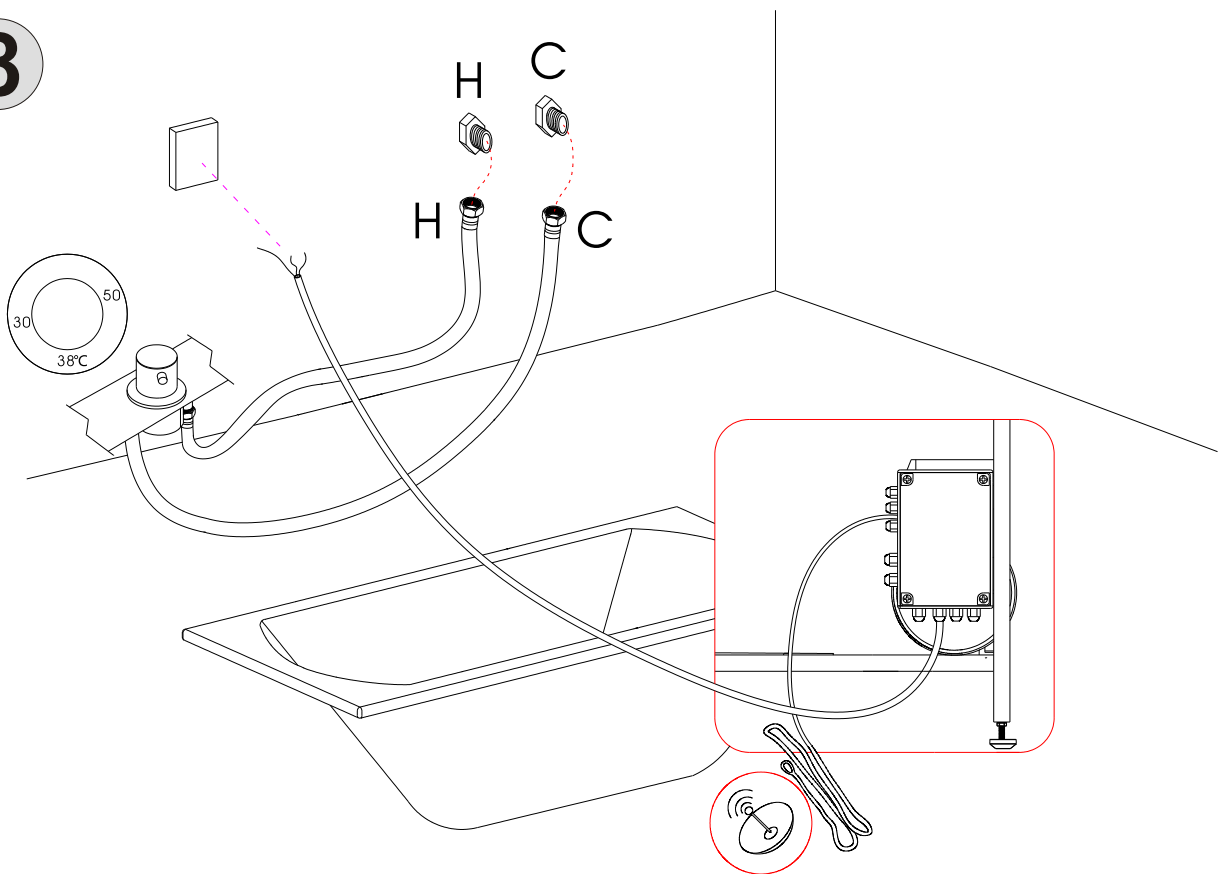


7

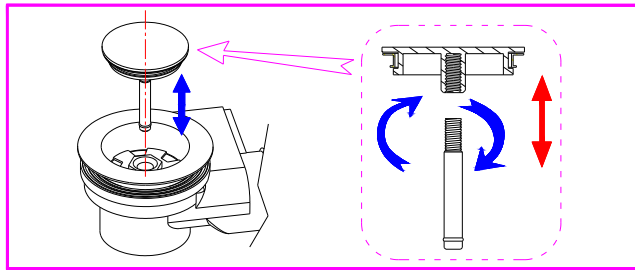
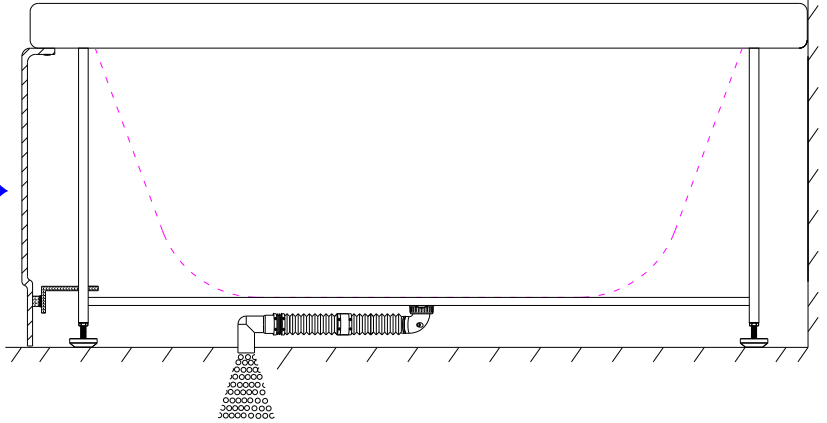
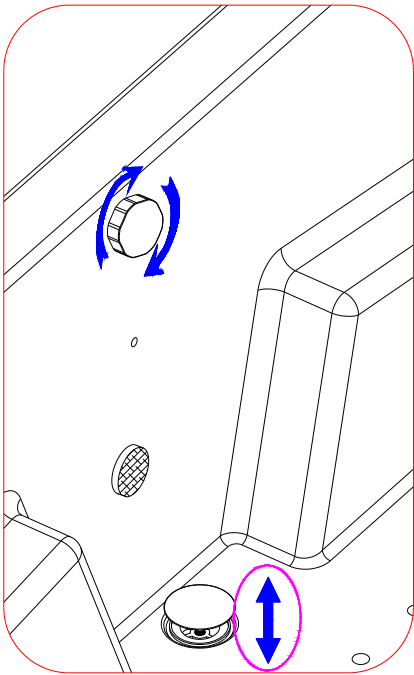


*Some optional features maybe shown: Flex-Drain Hose

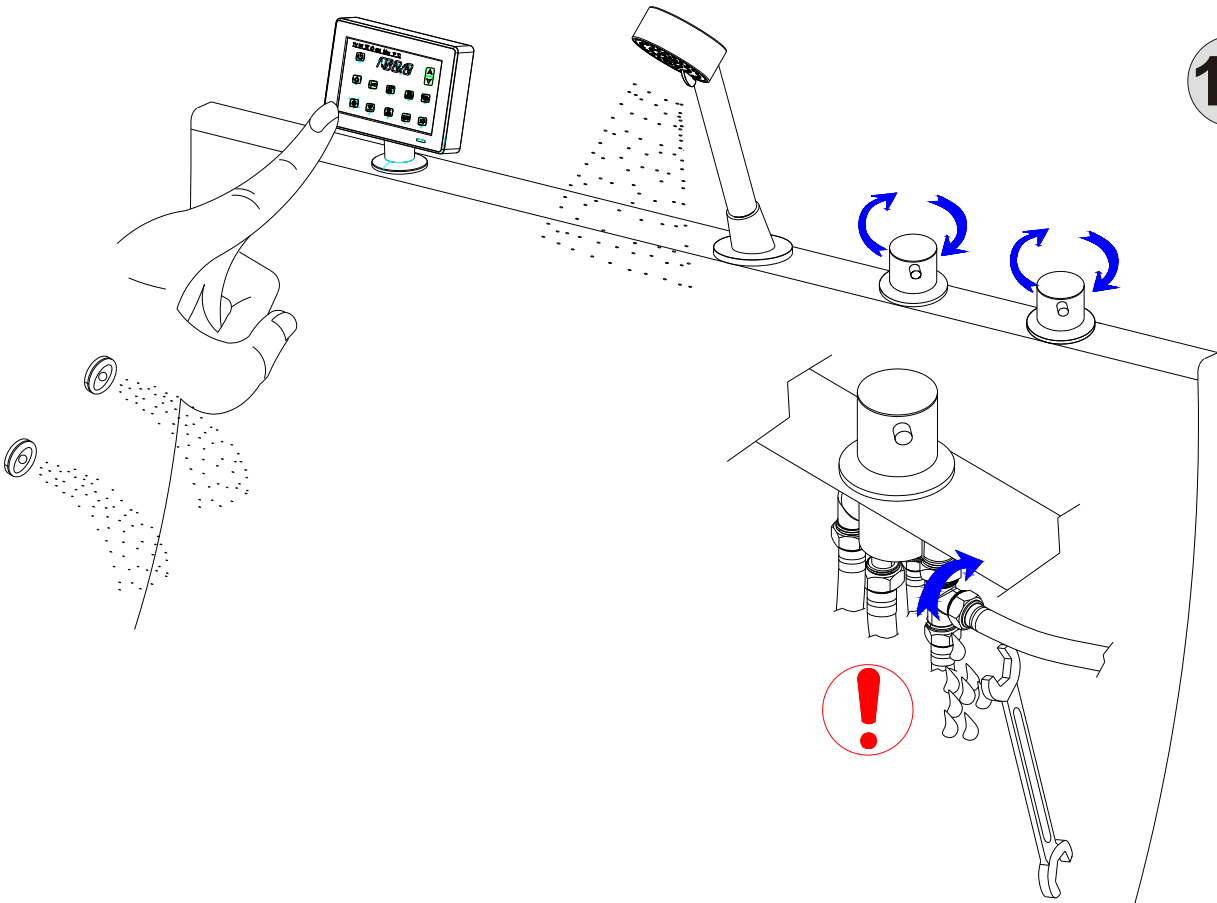
8



9



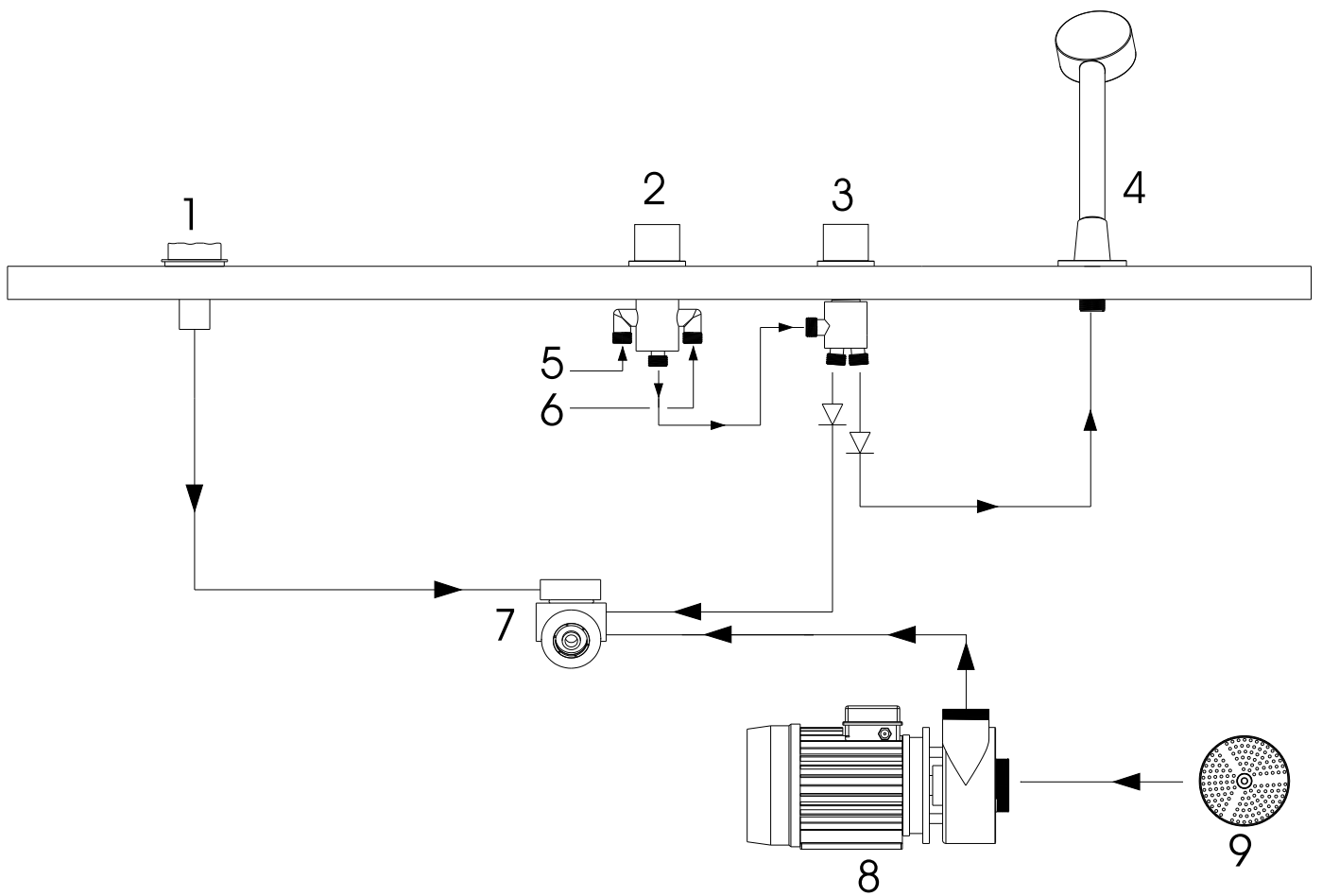
10



Technical Parameters

Rated Voltage	AC110-120V 60Hz
Rated Current	23.6A
Normal Rated Power	2600W
Recommended Power Service	GFCI-Protected 30A
Water Pipe Dimension	1/2"
Drainage Pipe Dimension	40mm
Max. Hot Water Temperature	176°F
Recommended Hot Water	149°F
Operating pressure	Max 0.8mPa(8 bar/116 PSI)
Recommended Operating Pressure	0.1-0.5mPa(1-5 bar/14.5-72.5 PSI)

Flowchart



1	Air Bubble Regulator Valve	6	Hot Water Supply Inlet
2	Thermostatic Switch	7	Jet
3	Function Switch	8	Water Pump
4	Hand Shower	9	Suction
5	Cold Water Supply Inlet		

Electrical Wiring Diagram

