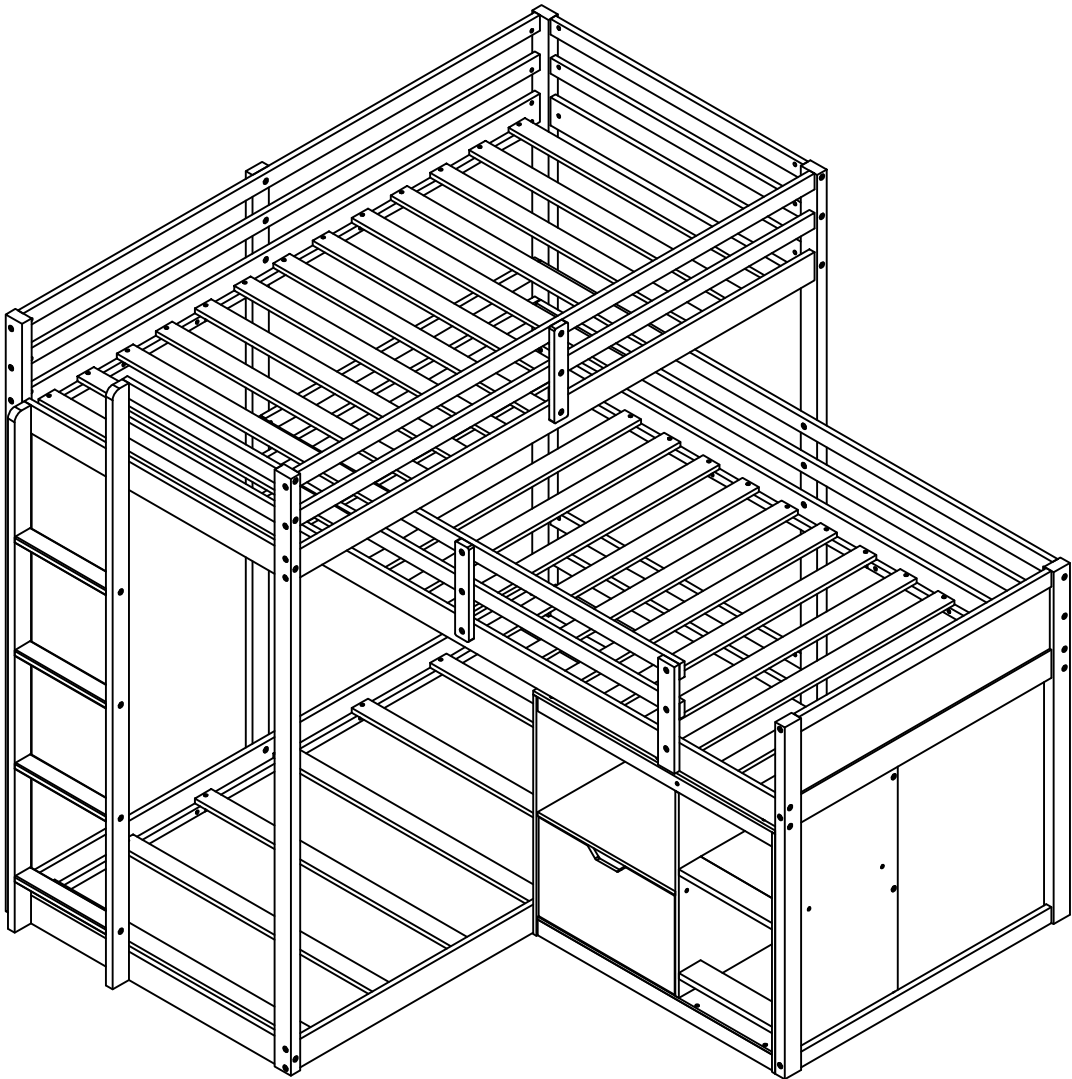


# ASSEMBLY INSTRUCTIONS

ITEM CODE: WF298754 / WF298755





## SAFETY WARNING



1. This bed is designed for use only mattress (es) meeting the following specifications on the upper bunk, and lower bunk:

### Upper bunk (bunk bed and tribed included)

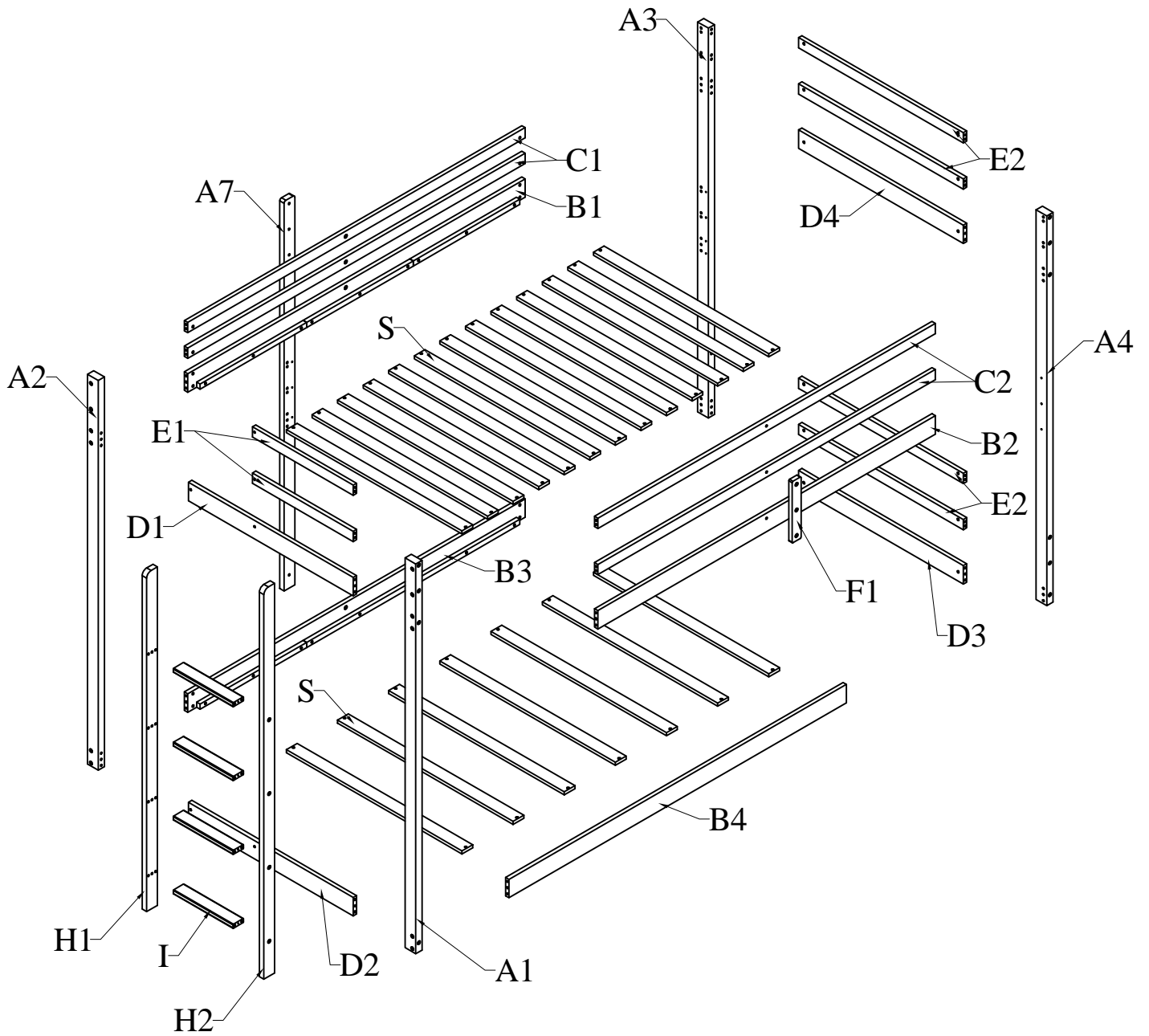
Bed type	Length	Width	Thickness
Twin Standard	74" – 75"	38 ½"	6" max

### Lower bunk

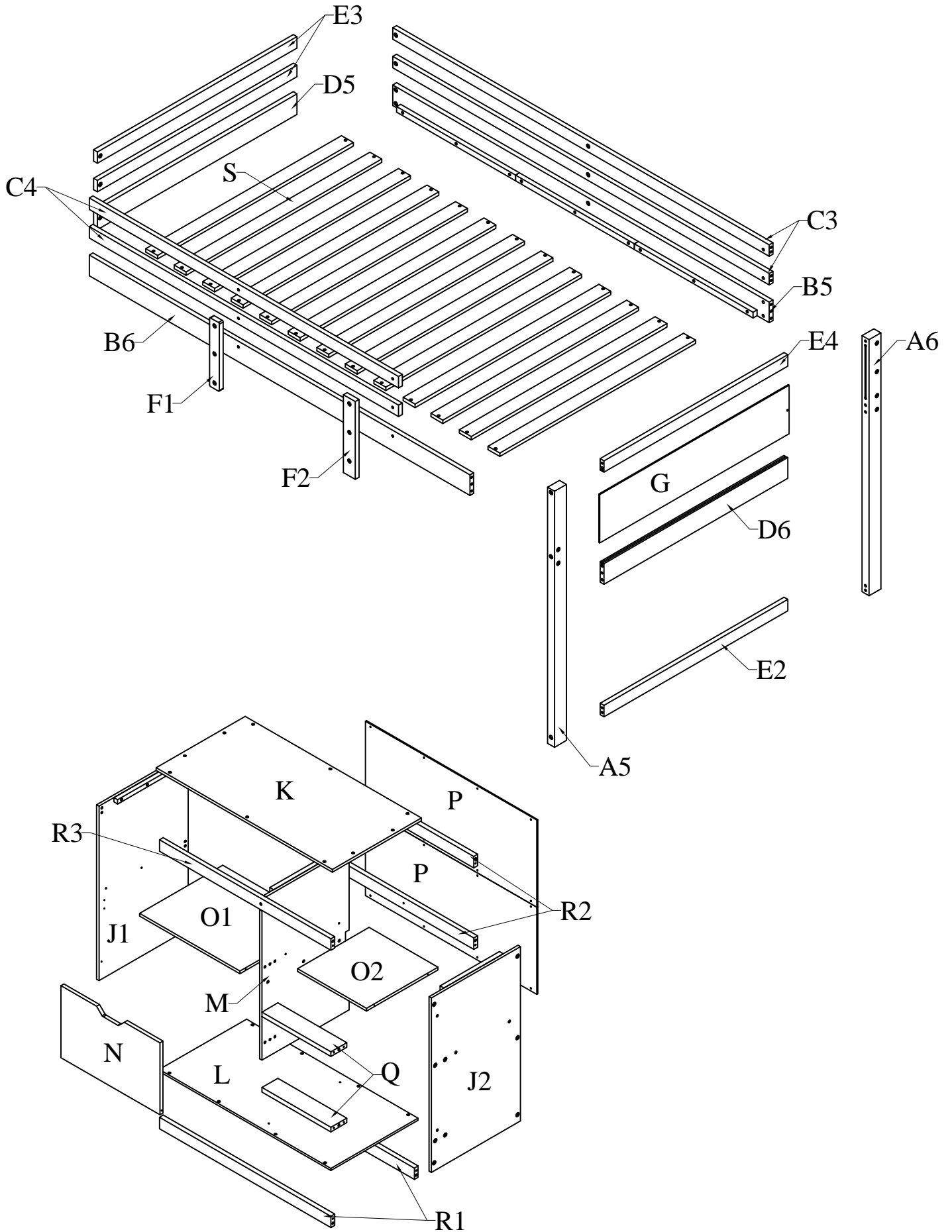
Bed type	Length	Width	Thickness
Twin Standard	74" – 75"	38 ½"	8"

2. Replacement parts, including additional guardrails, maybe obtained from any of our (GIGACLOUD TECHNOLOGY (USA) INC. 18961 ARENTH AVENUE CITY OF INDUSTRY, CA, 91748) dealers.
3. Follow the information on the warnings appearing on the upper bunk bed end structure and on the carton. Do not remove warning label from bed.
4. Always use the recommended size mattresses or mattress supports, or both, to help prevent the likelihood of entrapment or falls.
5. Surface of mattress must be at least 5" (127mm) below the upper edge of guardrails.
6. Do not allow children under 6 years of age to use the upper bunk.
7. Periodically check and ensure that the guardrail, ladder, and other components are in their proper position, free from damage, and that all connectors are tight.
8. Do not allow horseplay on or under the bed and prohibit jumping on the bed.
9. Always use the ladder for entering and leaving the upper bunk.
10. Do not use substitute part. Contact the manufacture or dealer for replacement part.
11. Use of a night light may provide added safety precaution for a child using the upper bunk.
12. Always use guardrails on both long sides of the upper bunk. If the bunk bed will be placed next to the wall, the guardrail that runs the full length of the bed should be placed against the wall to prevent entrapment between the bed and wall.
13. The use of water or sleep flotation mattresses is prohibited.
14. STRANGULATION HAZARD - Never attach or hang items to any part of the bunk bed that are not designed for use with the bed; for example, but not limited to, hook, belts and jump ropes.
15. Keep these instruction for future reference.
16. Prohibit more than one person on upper bunk.
17. We recommend assembling your bunk bed on the shipping carton to protect your floor or carpet.
18. Be certain all staples are out of the box before beginning assembly on the shipping carton.








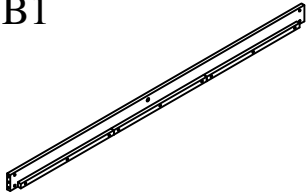
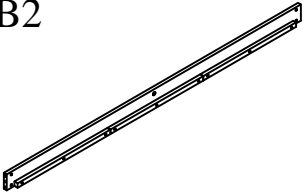
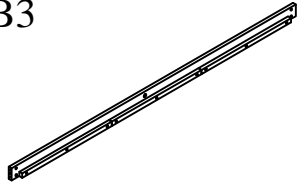
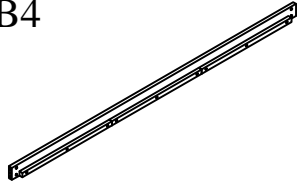
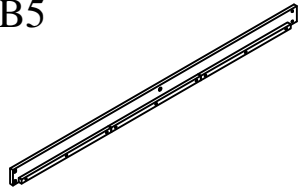
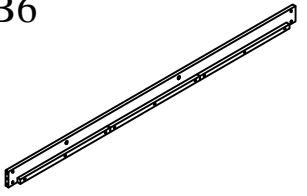
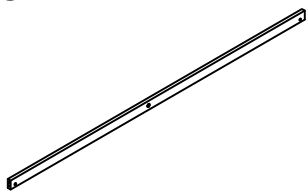
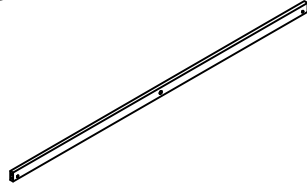
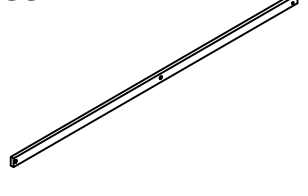
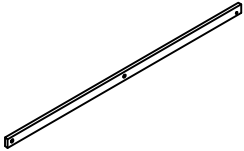


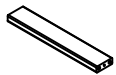


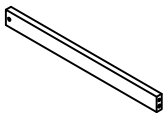
# DETAIL VIEW



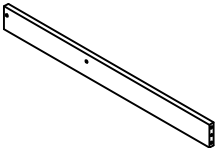
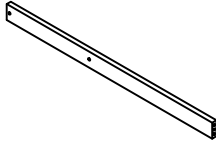
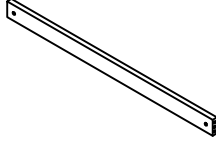
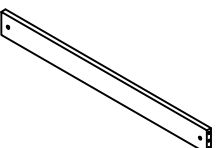
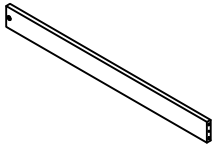
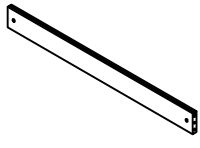
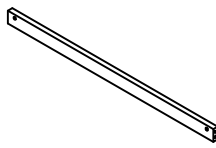
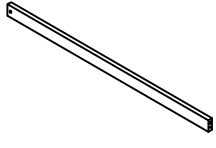
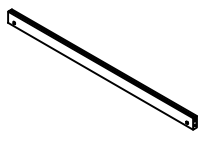
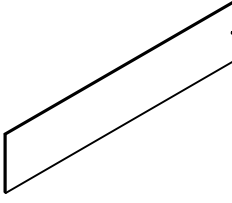
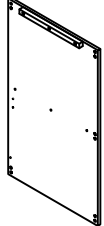
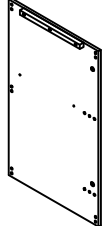
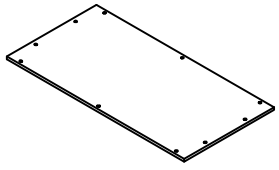
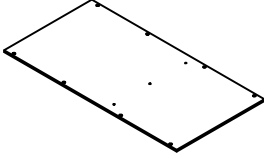
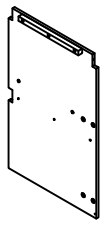
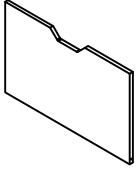
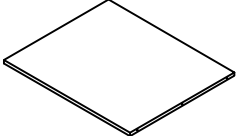
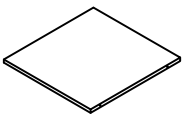
# DETAIL VIEW



# BOX 1: WF298754

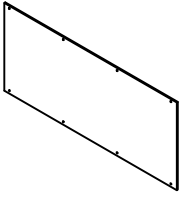
<p>A1</p>  <p>Front left leg (1pc)</p>	<p>A2</p>  <p>Back left leg (1pc)</p>	<p>A3</p>  <p>Back right leg (1pc)</p>	<p>A4</p>  <p>Front right leg (1pc)</p>
<p>A5</p>  <p>Left leg - short (1pc)</p>	<p>A6</p>  <p>Right leg - short (1pc)</p>	<p>A7</p>  <p>Middle leg (1pc)</p>	<p>B1</p>  <p>Upper left side rail - back (1pc)</p>
<p>B2</p>  <p>Upper left side rail - front (1pc)</p>	<p>B3</p>  <p>Lower left side rail - back (1pc)</p>	<p>B4</p>  <p>Lower left side rail - front (1pc)</p>	<p>B5</p>  <p>Upper right side rail - back (1pc)</p>
<p>B6</p>  <p>Upper right side rail - front (1pc)</p>	<p>C1</p>  <p>Left guardrail - back (2pcs)</p>	<p>C2</p>  <p>Left guardrail - front (2pcs)</p>	<p>C3</p>  <p>Right guardrail - back (2pcs)</p>
<p>C4</p>  <p>Right guardrail - front (2pcs)</p>	<p>H1</p>  <p>Stair vertical - left (1pc)</p>	<p>H2</p>  <p>Stair vertical - Right (1pc)</p>	<p>I</p>  <p>Stairs bar - left (4pcs)</p>
<p>F1</p>  <p>Vertical rail - left (2pcs)</p>	<p>F2</p>  <p>Vertical rail - right (1pc)</p>	<p>E1</p>  <p>Short guardrail - front left (2pcs)</p>	<p>Page 05 Of 19</p>

# BOX 2: WF298755

<p>D1</p>  <p>Horizontal rail left - front top (1pc)</p>	<p>D2</p>  <p>Horizontal rail left - front bottom (1pc)</p>	<p>D3</p>  <p>Horizontal rail left - back bottom (1pc)</p>	<p>D4</p>  <p>Horizontal rail left - back top (1pc)</p>
<p>D5</p>  <p>Horizontal rail right - back (1pc)</p>	<p>D6</p>  <p>Horizontal rail right - front (1pc)</p>	<p>E2</p>  <p>Short guardrail - back left (5pcs)</p>	<p>E3</p>  <p>Short guardrail - back right (2pcs)</p>
<p>E4</p>  <p>Short guardrail - front right (1pc)</p>	<p>G</p>  <p>Side panel (1pc)</p>	<p>J1</p>  <p>Table side panel - left (1pc)</p>	<p>J2</p>  <p>Table side panel - right (1pc)</p>
<p>K</p>  <p>Table top panel (1pc)</p>	<p>L</p>  <p>Table bottom panel (1pc)</p>	<p>M</p>  <p>Table partition panel (1pc)</p>	<p>N</p>  <p>Door panel (1pc)</p>
<p>O1</p>  <p>Shelf - left (1pc)</p>	<p>O2</p>  <p>Shelf - right (1pc)</p>		

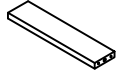
# BOX 2: WF298755

P



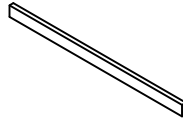
Back panel (2pcs)

Q



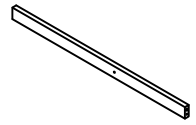
Stairs bar - right (2pcs)

R1



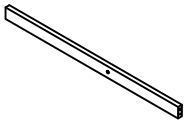
Bottom rail (2pcs)

R2



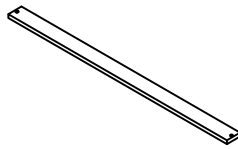
Back rail - top (2pcs)

R3



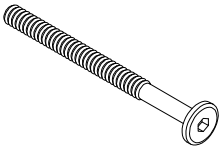
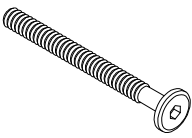
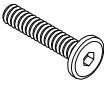
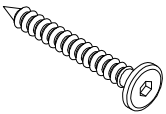
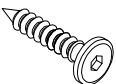


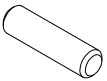
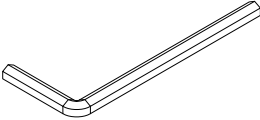

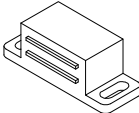
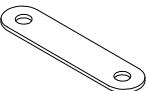





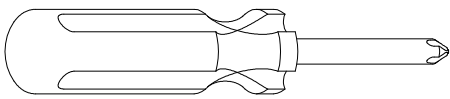
Front rail - top (1pc)

S



Slats (33pcs)




# HARDWARE LIST: WF298754

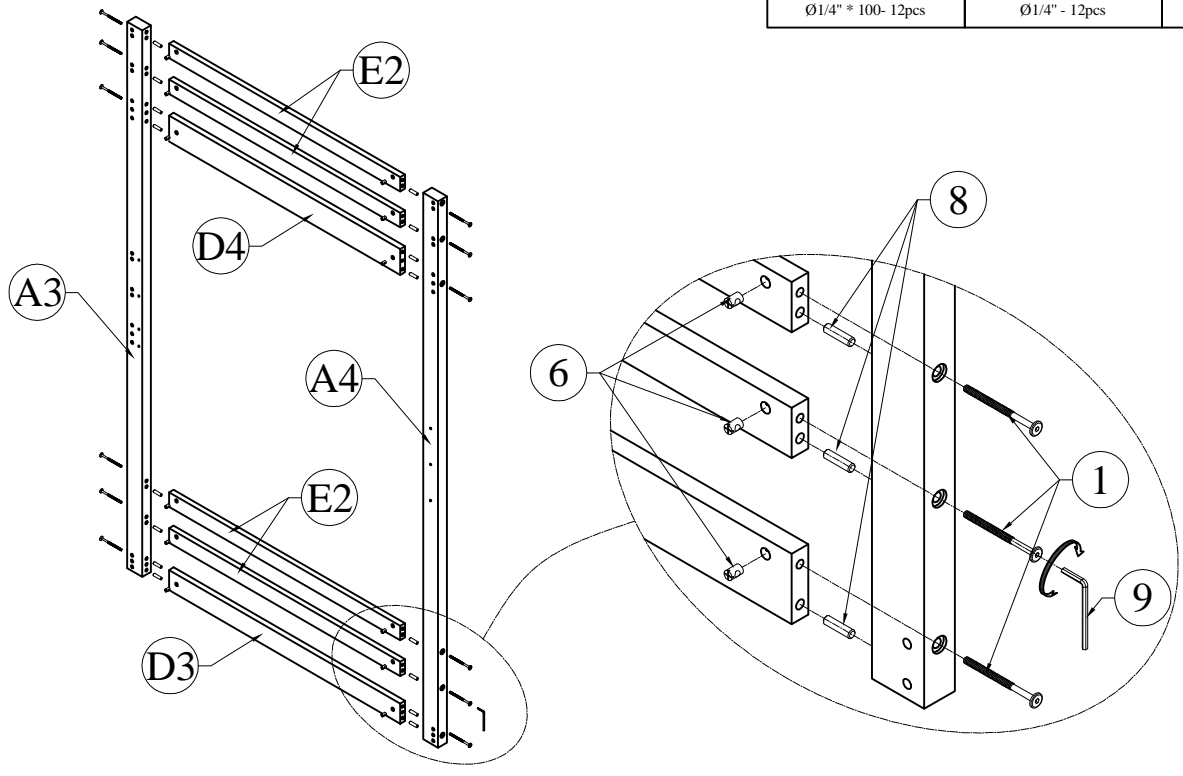
<p>1</p>  <p>Hex - Head bolts Ø1/4" * 100 - 24pcs</p>	<p>2</p>  <p>Hex - Head bolts Ø1/4" * 70 - 34pcs</p>	<p>3</p>  <p>Hex - Head bolts Ø1/4" * 30- 9pcs</p>	<p>4</p>  <p>Hexagonal bolts catch wood Ø6 * 50 - 35pcs</p>
<p>5</p>  <p>Hexagonal bolts catch wood Ø6 * 30 - 16pcs</p>	<p>6</p>  <p>Horizontal - Hold bolts Ø1/4" - 58pcs</p>	<p>7</p>  <p>Canopy head though Ø1/4" - 9pcs</p>	<p>8</p>  <p>Wood dowel Ø8 * 30 - 91pcs</p>
<p>9</p>  <p>Allen key K4 - 2pc</p>	<p>10</p>  <p>Steel dowel Ø3 * 17 - 2pcs</p>	<p>11</p>  <p>Magnet - 1pc</p>	<p>12</p>  <p>Mending plate - 1pc</p>
<p>13</p>  <p>Wood screw M3 * 12 - 2pcs</p>	<p>14</p>  <p>Wood screw M3.5 * 15 - 2pcs</p>	<p>15</p>  <p>Wood screw M4 * 25 - 97pcs</p>	<p>16</p>  <p>Round screw M3.5 * 15 - 16pcs</p>
<p>17</p>  <p>Wood screw M4 * 35 - 3pcs</p>			

**Assembly Tools Required (Not Included)**






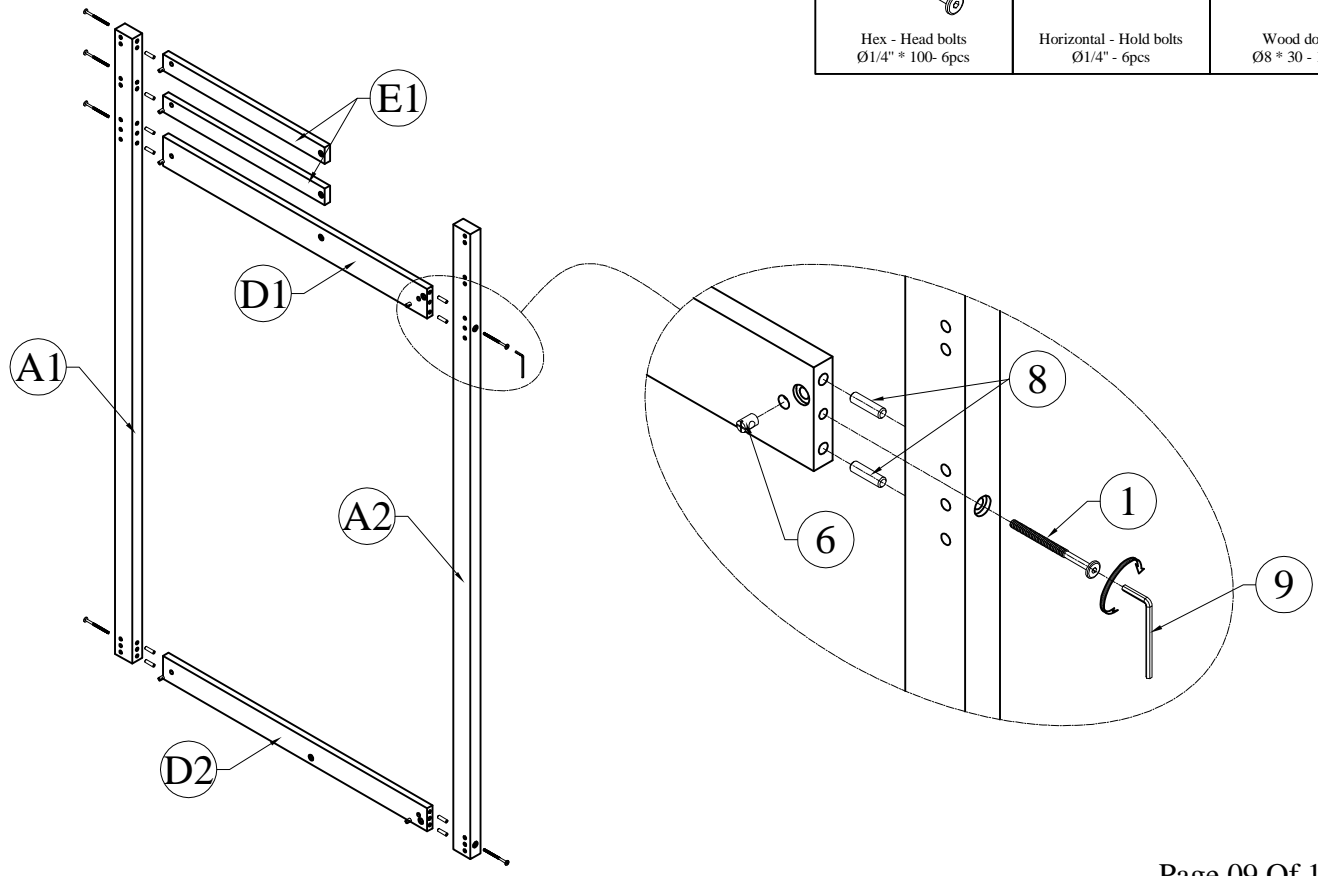
# STEP 1

<p>1</p>  <p>Hex - Head bolts Ø1/4" * 100- 12pcs</p>	<p>6</p>  <p>Horizontal - Hold bolts Ø1/4" - 12pcs</p>	<p>8</p>  <p>Wood dowel Ø8 * 30 - 16pcs</p>
--	---	--

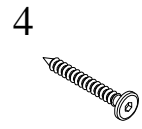


# STEP 2

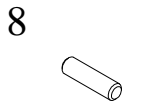
<p>1</p>  <p>Hex - Head bolts Ø1/4" * 100- 6pcs</p>	<p>6</p>  <p>Horizontal - Hold bolts Ø1/4" - 6pcs</p>	<p>8</p>  <p>Wood dowel Ø8 * 30 - 10pcs</p>
---	--	--



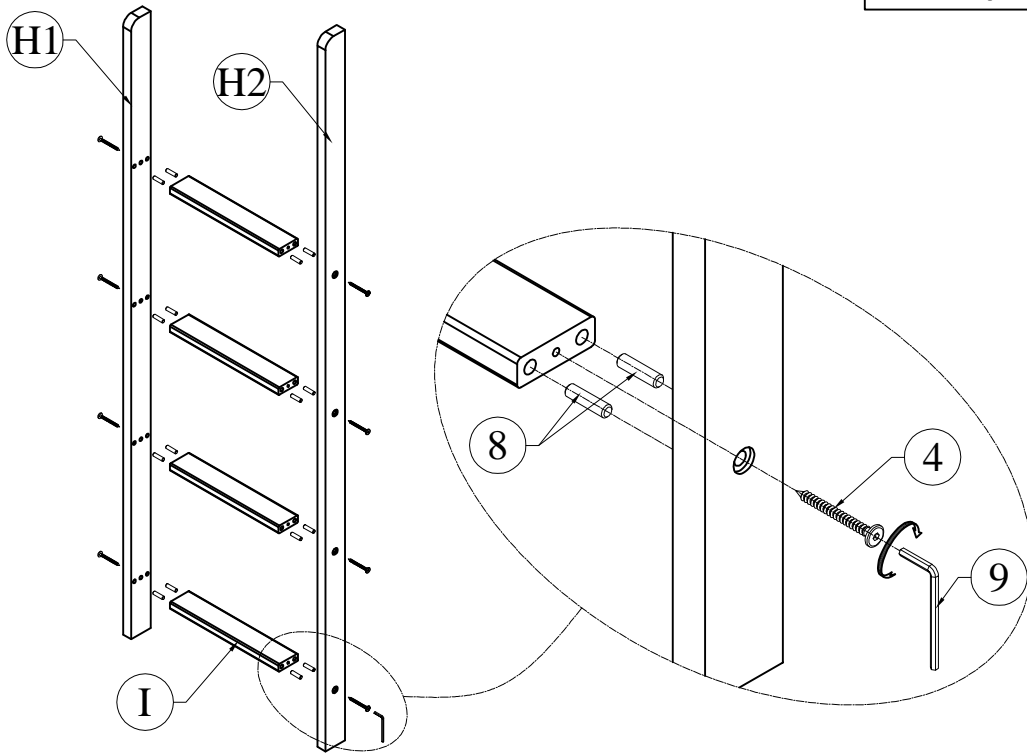
# STEP 3



Hexagonal bolts catch wood  
Ø6 \* 50 - 8pcs



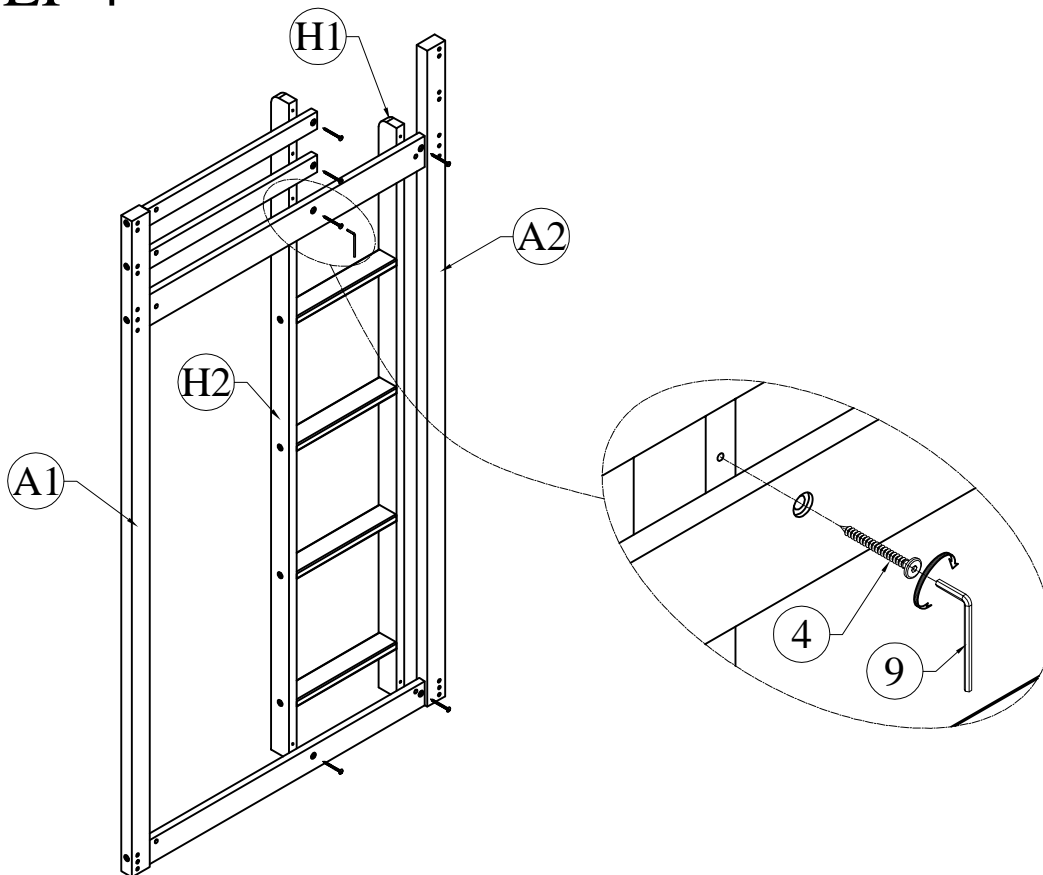
Wood dowel  
Ø8 \* 30 - 16pcs






# STEP 4

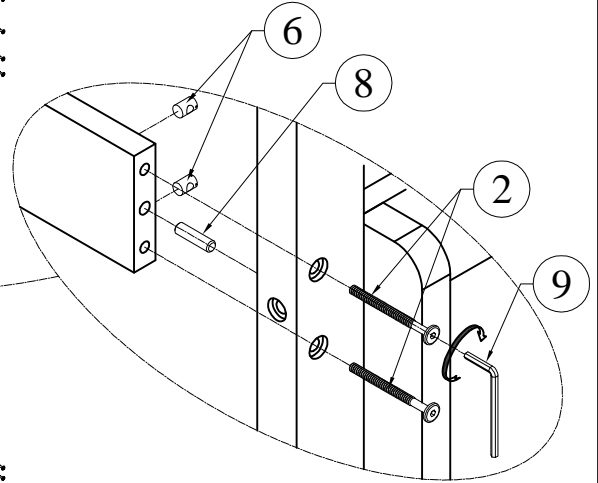
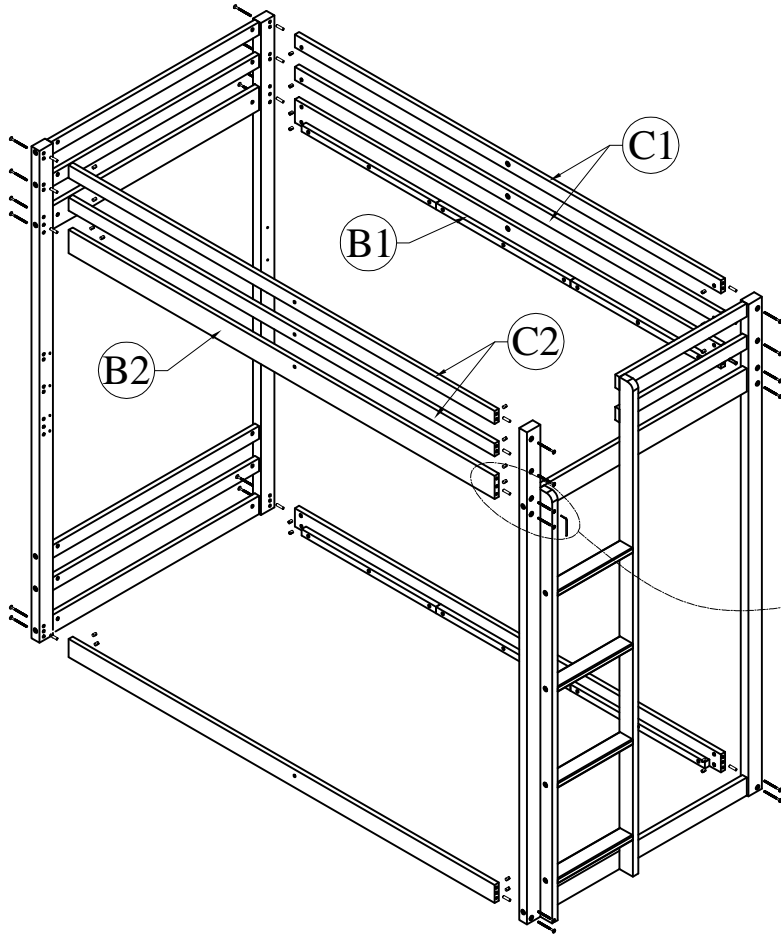


Hexagonal bolts catch wood  
Ø6 \* 50 - 6pcs






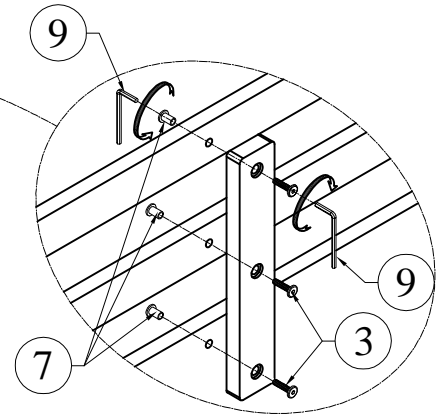
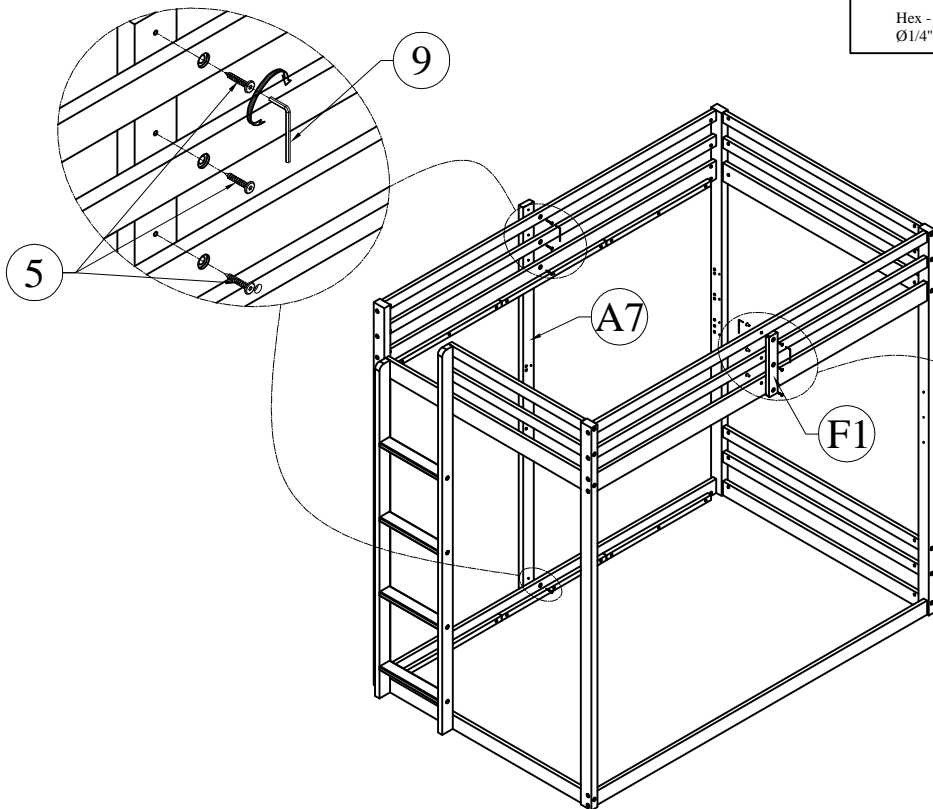
# STEP 5

<p>2</p>  <p>Hex - Head bolts Ø1/4" * 70- 24pcs</p>	<p>6</p>  <p>Horizontal - Hold bolts Ø1/4" - 24pcs</p>	<p>8</p>  <p>Wood dowel Ø8 * 30 - 16pcs</p>
---	---	--

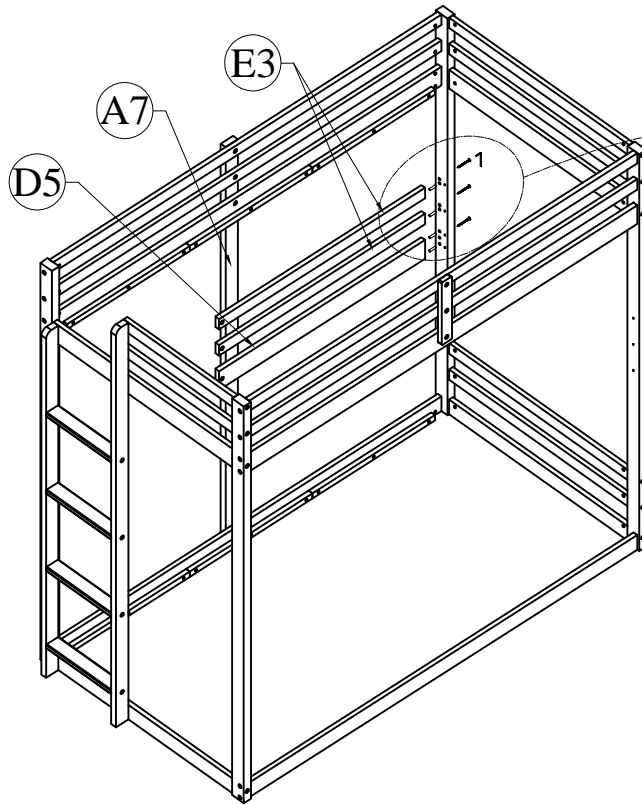



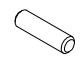
# STEP 6

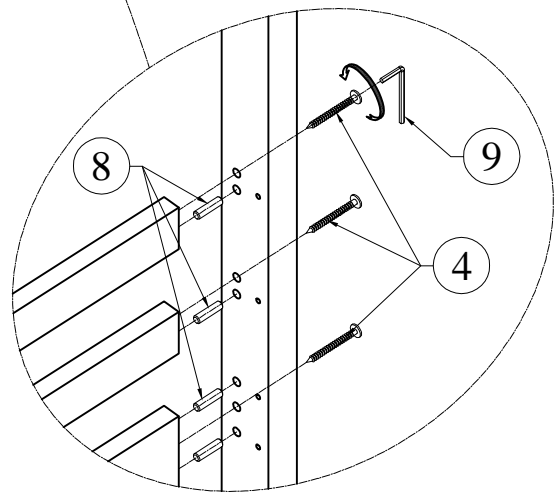
<p>3</p>  <p>Hex - Head bolts Ø1/4" * 30- 3pcs</p>	<p>5</p>  <p>Hexagonal bolts catch wood Ø6 * 30 - 4pcs</p>	<p>7</p>  <p>Canopy head though Ø1/4" - 3pcs</p>
---	---	---



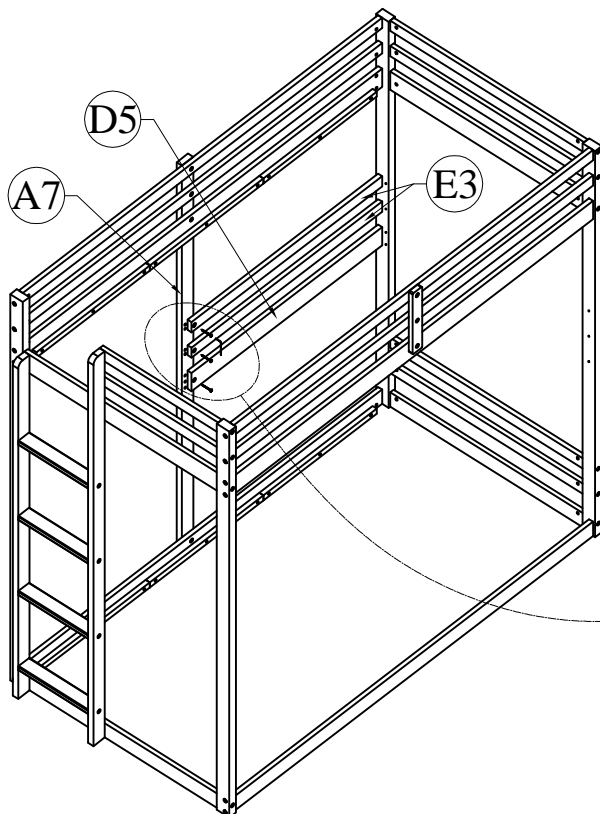
# STEP 7




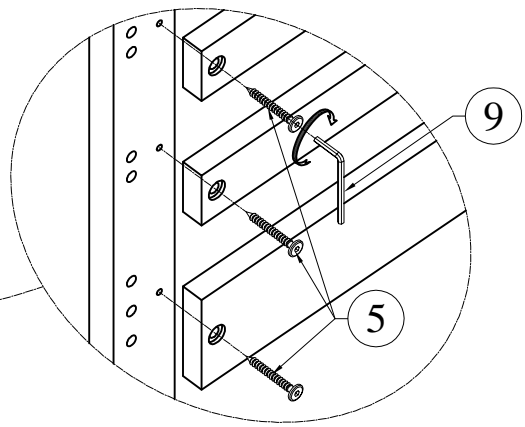
<p>4</p>  <p>Hexagonal bolts catch wood Ø6 * 50 - 3pcs</p>	<p>8</p>  <p>Wood dowel Ø8 * 30 - 4pcs</p>
---	---



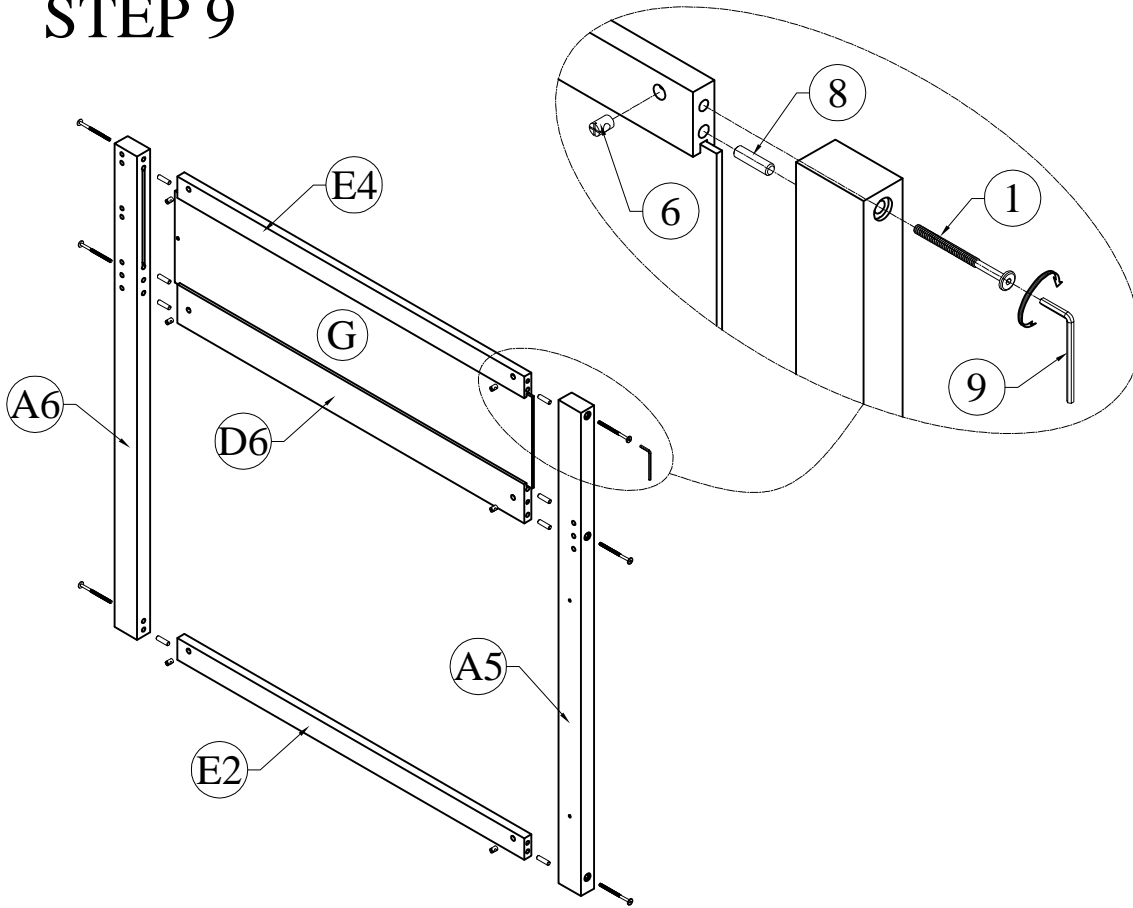
# STEP 8





<p>5</p>  <p>Hexagonal bolts catch wood Ø6 * 30 - 3pcs</p>
---

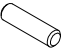


# STEP 9

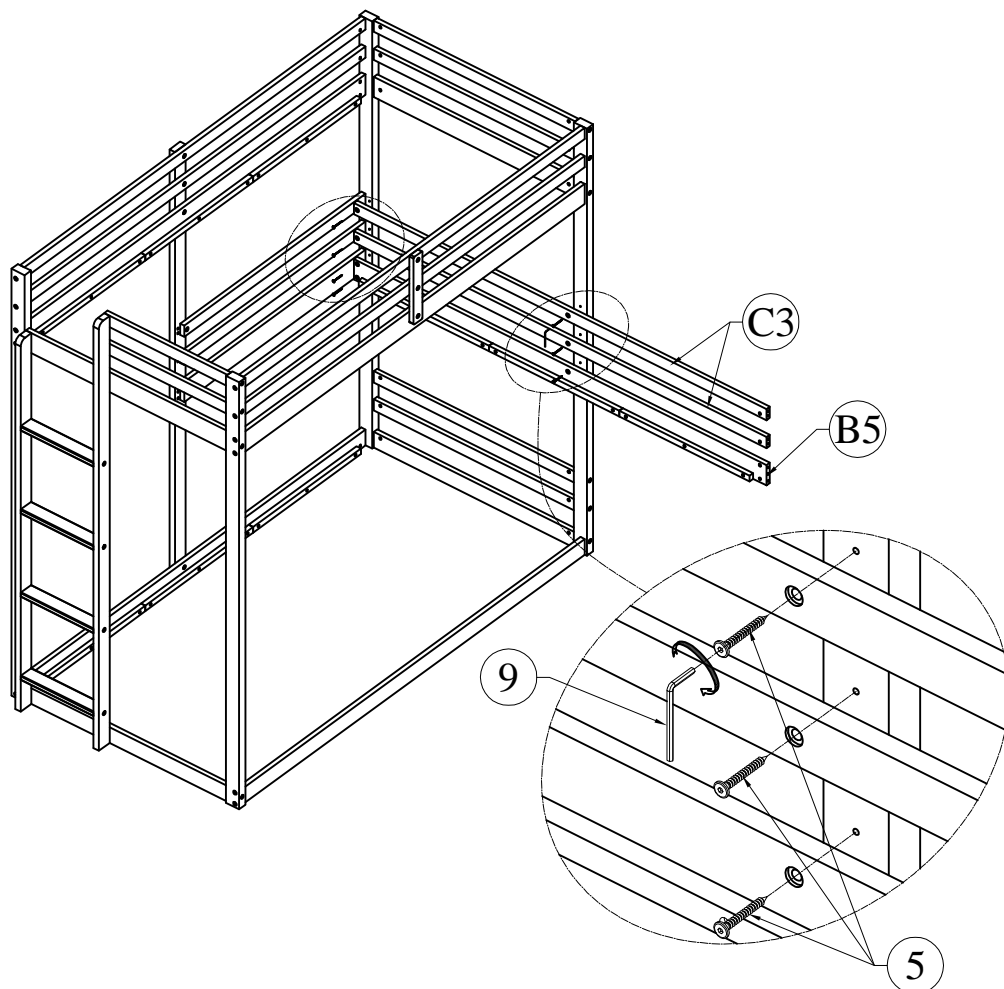


**1**  
  
 Hex - Head bolts  
 Ø1/4" \* 100- 6pcs

**6**  
  
 Horizontal - Hold bolts  
 Ø1/4" - 6pcs




**8**  
  
 Wood dowel  
 Ø8 \* 30 - 8pcs

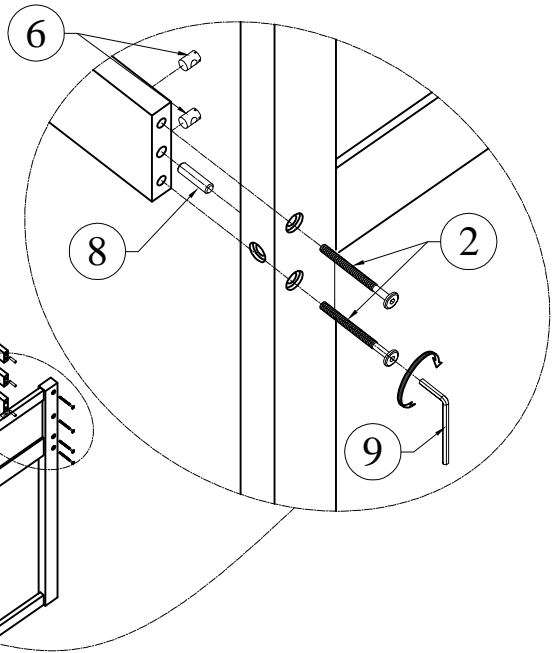
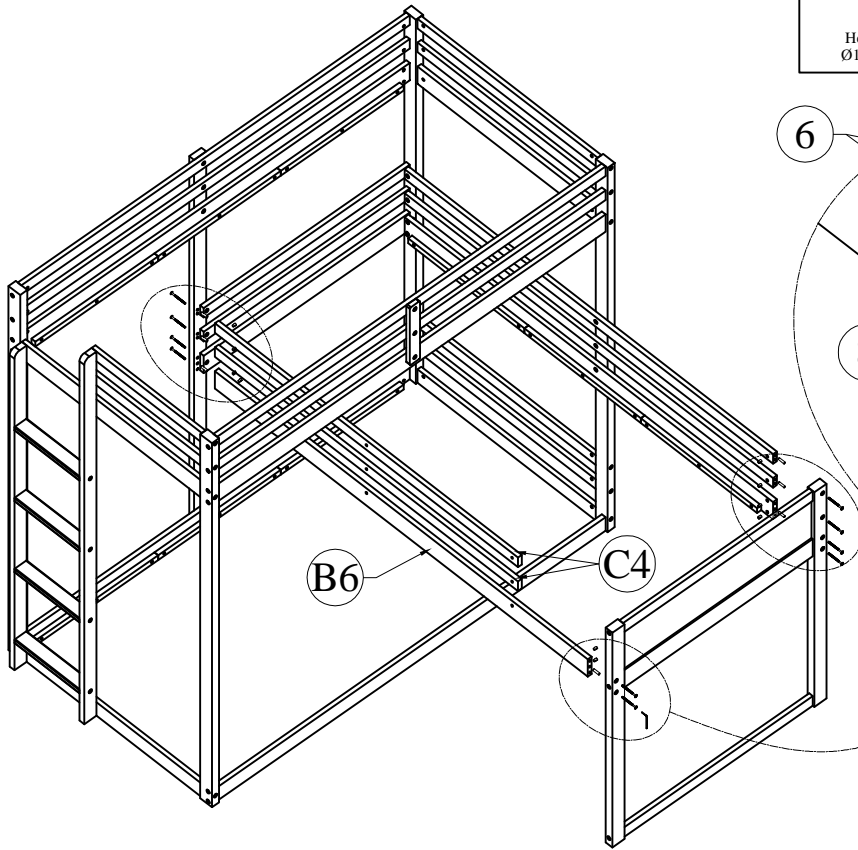
# STEP 10





**5**  
  
 Hexagonal bolts catch wood  
 Ø6 \* 30 - 7pcs

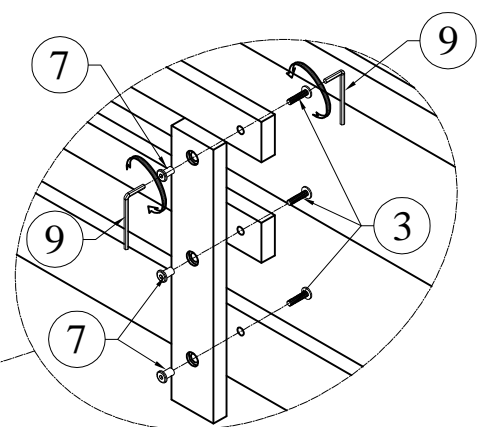
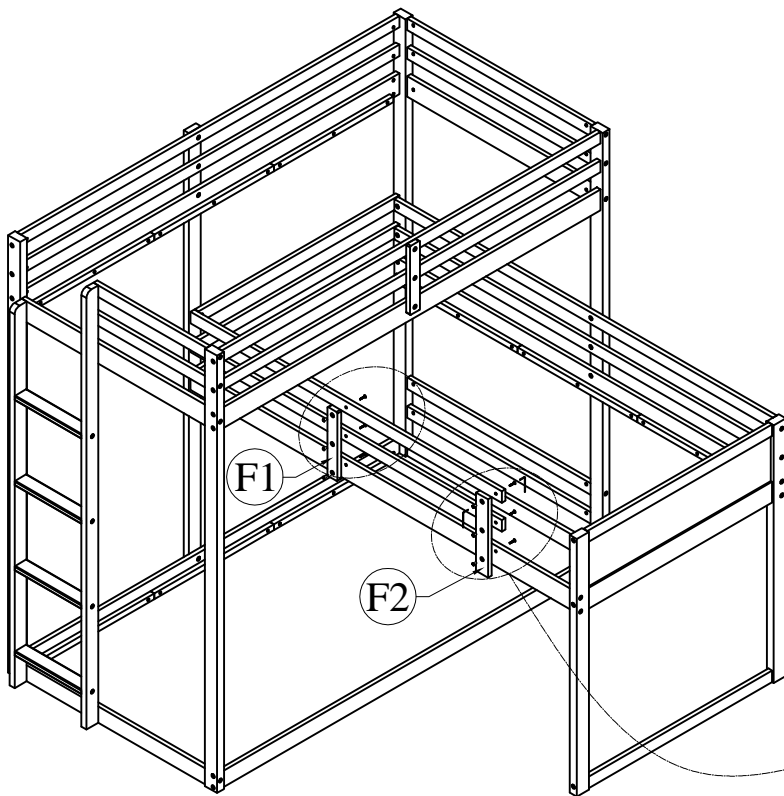
# STEP 11

<p>2</p>  <p>Hex - Head bolts Ø1/4" * 70- 10pcs</p>	<p>6</p>  <p>Horizontal - Hold bolts Ø1/4" - 10pcs</p>	<p>8</p>  <p>Wood dowel Ø8 * 30 - 7pcs</p>
---	---	---



# STEP 12

<p>3</p>  <p>Hex - Head bolts Ø1/4" * 30- 6pcs</p>	<p>7</p>  <p>Canopy head through Ø1/4" - 6pcs</p>
---	--



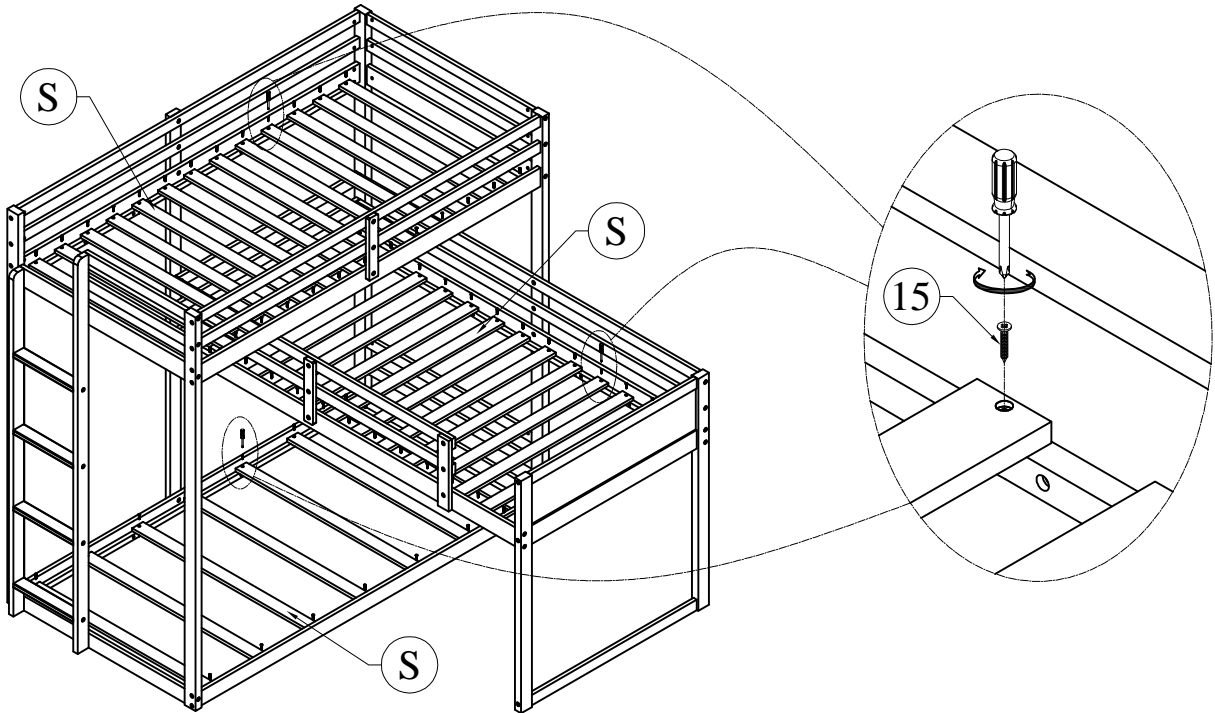
# STEP 13

The distance between the slats of upper bed is 3-1/4 inch  
The distance between the slats of lower bed is 9-1/8 inch

15



Wood crews  
M4 \* 25 - 66pcs

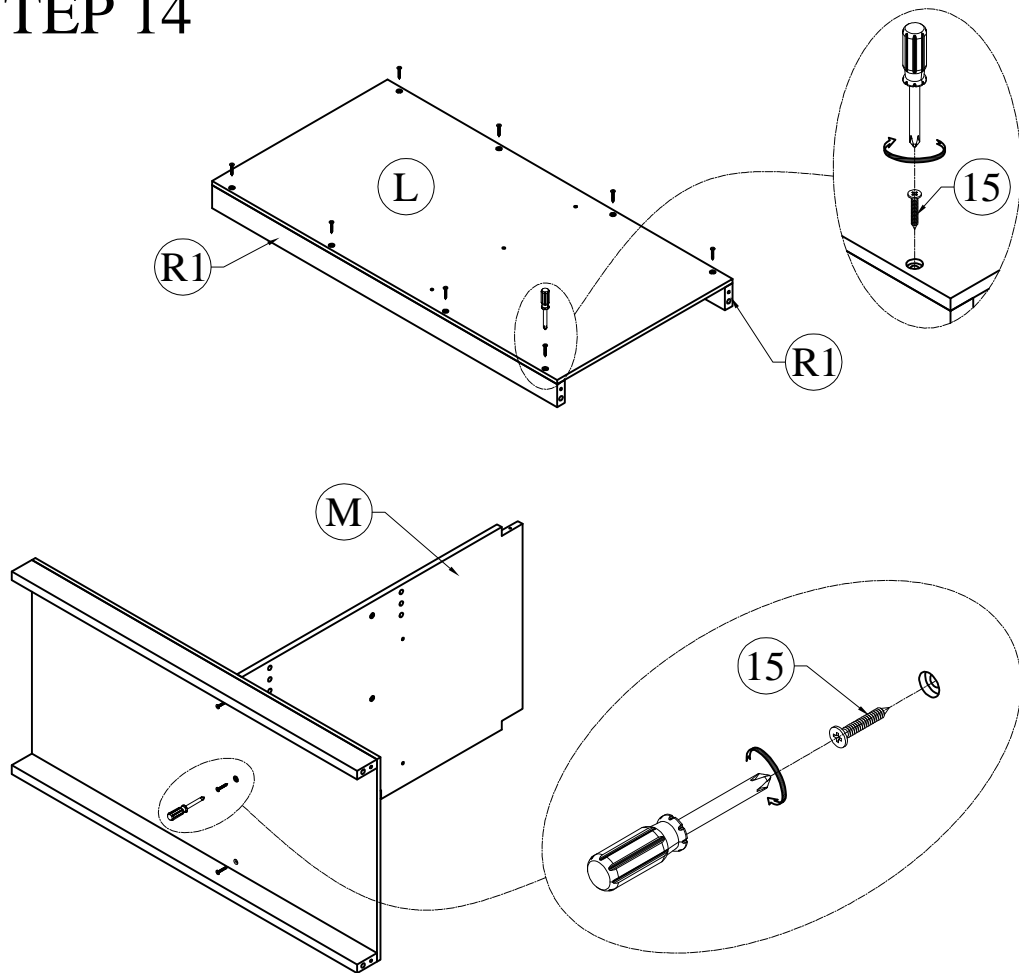


# STEP 14





15

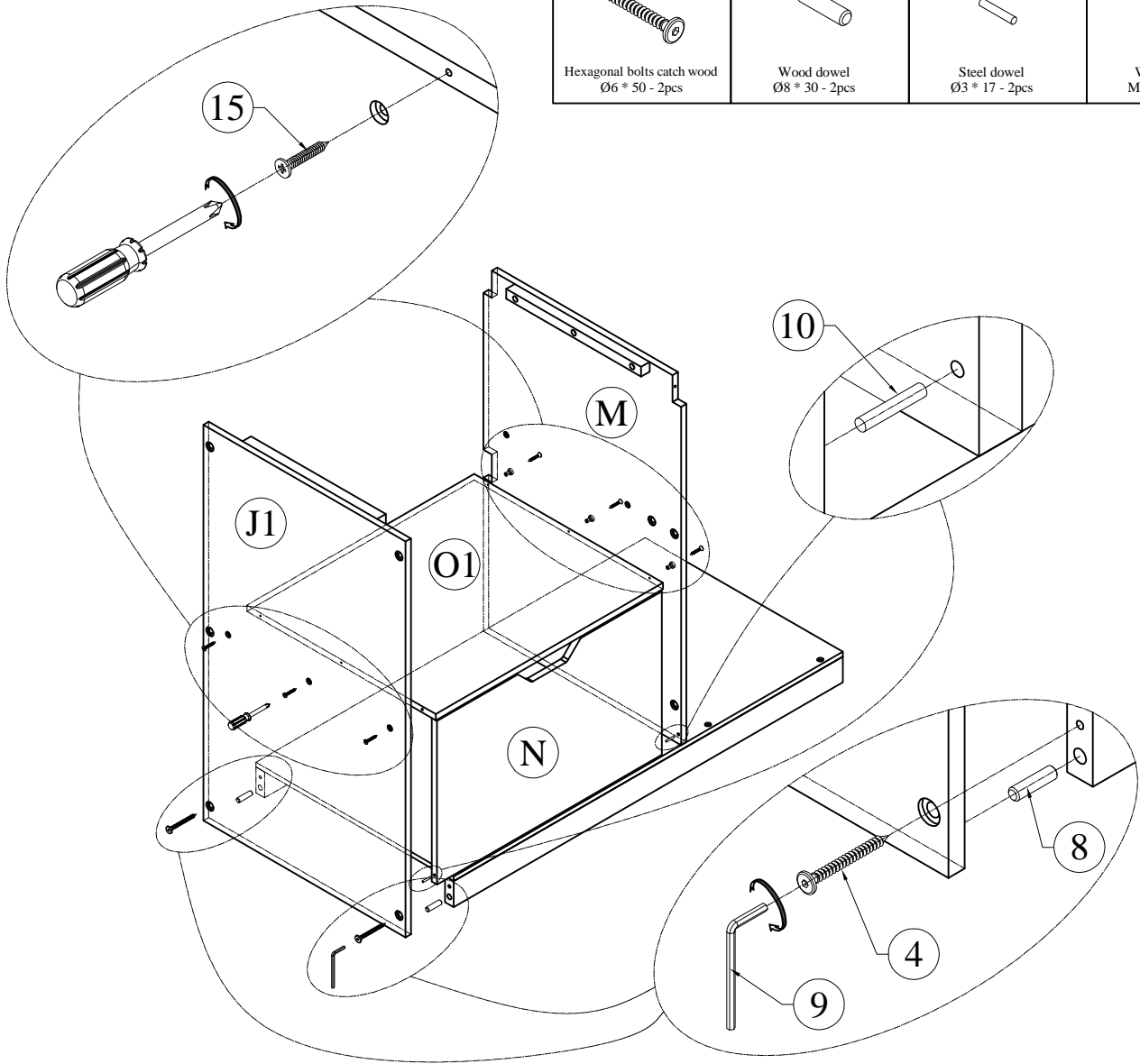


Wood crews  
M4 \* 25 - 11pcs






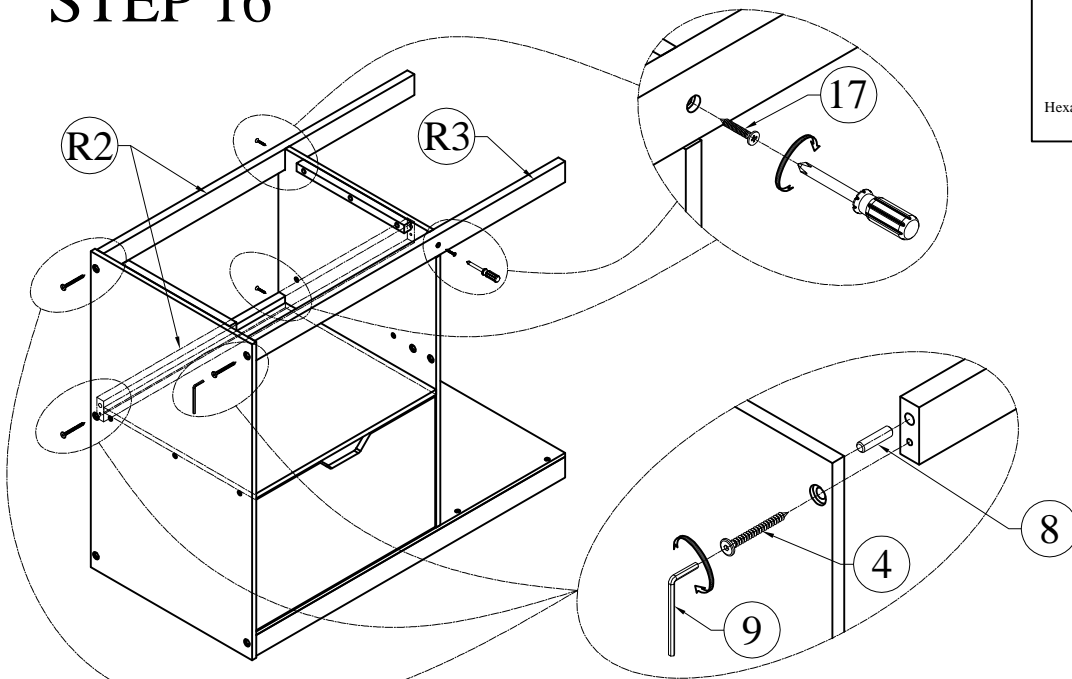
# STEP 15

<p>4</p>  <p>Hexagonal bolts catch wood Ø6 * 50 - 2pcs</p>	<p>8</p>  <p>Wood dowel Ø8 * 30 - 2pcs</p>	<p>10</p>  <p>Steel dowel Ø3 * 17 - 2pcs</p>	<p>15</p>  <p>Wood crews M4 * 25 - 6pcs</p>
---	---	---	--



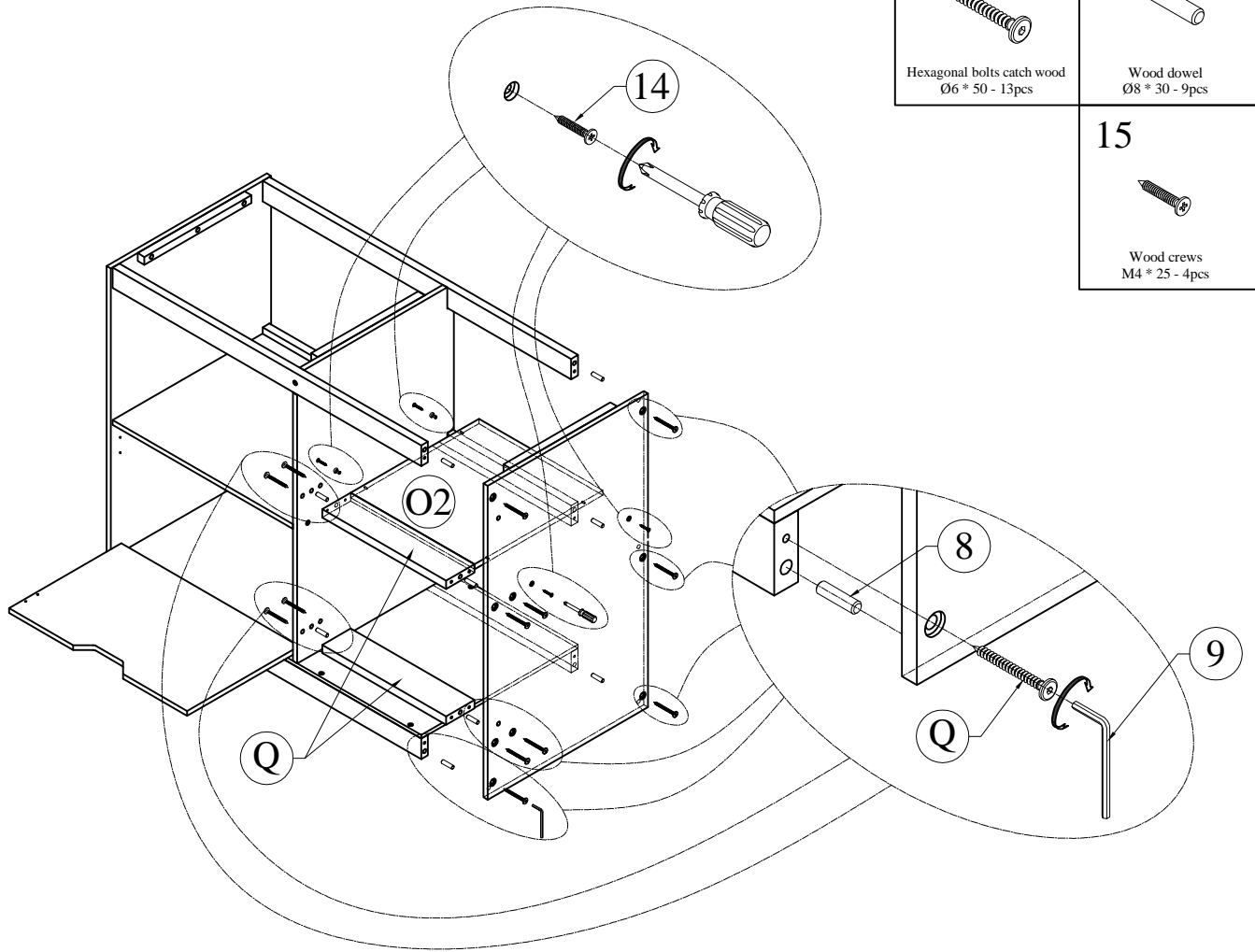
# STEP 16

<p>4</p>  <p>Hexagonal bolts catch wood Ø6 * 50 - 3pcs</p>	<p>8</p>  <p>Wood dowel Ø8 * 30 - 3pcs</p>
<p>17</p>  <p>Wood crews M4 * 35 - 3pcs</p>	





# STEP 17

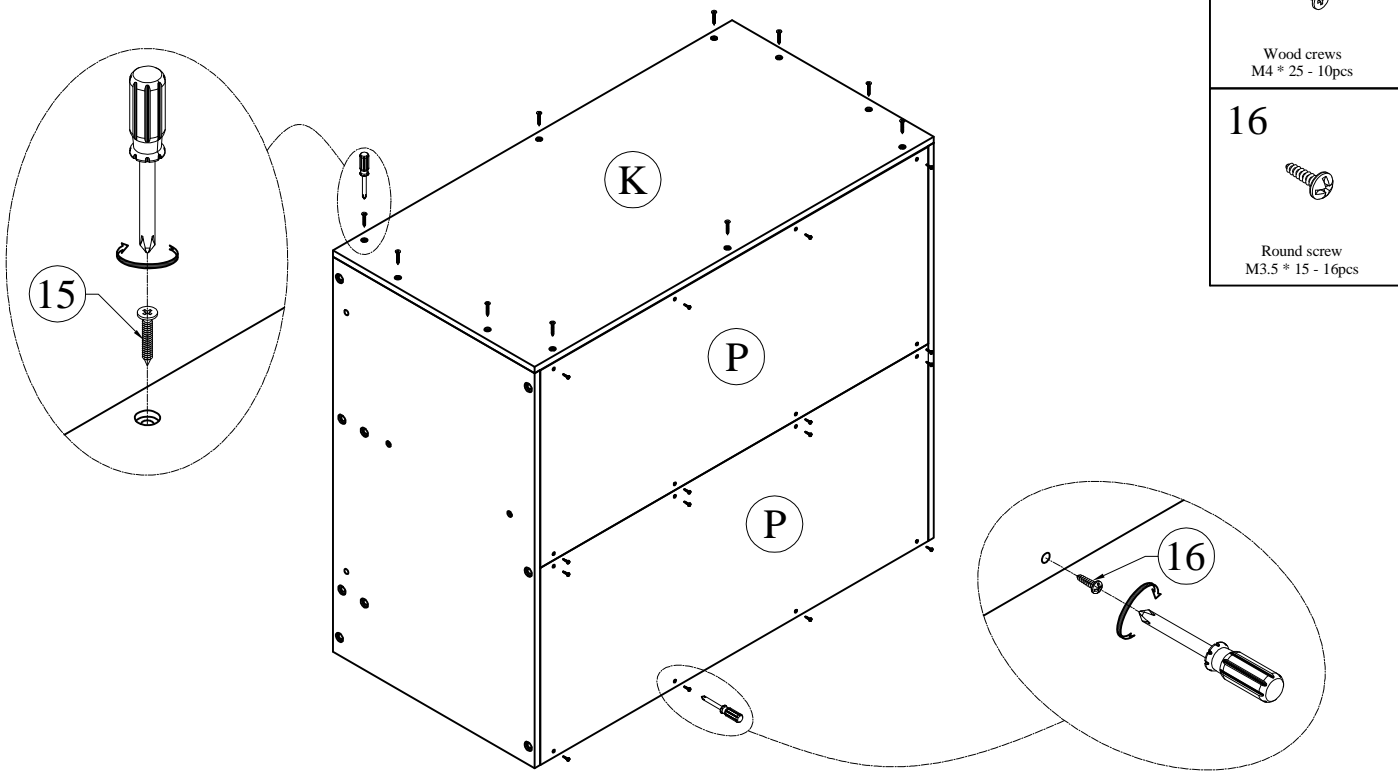


4  
Hexagonal bolts catch wood  
Ø6 \* 50 - 13pcs

8  
Wood dowel  
Ø8 \* 30 - 9pcs

15  
Wood crews  
M4 \* 25 - 4pcs

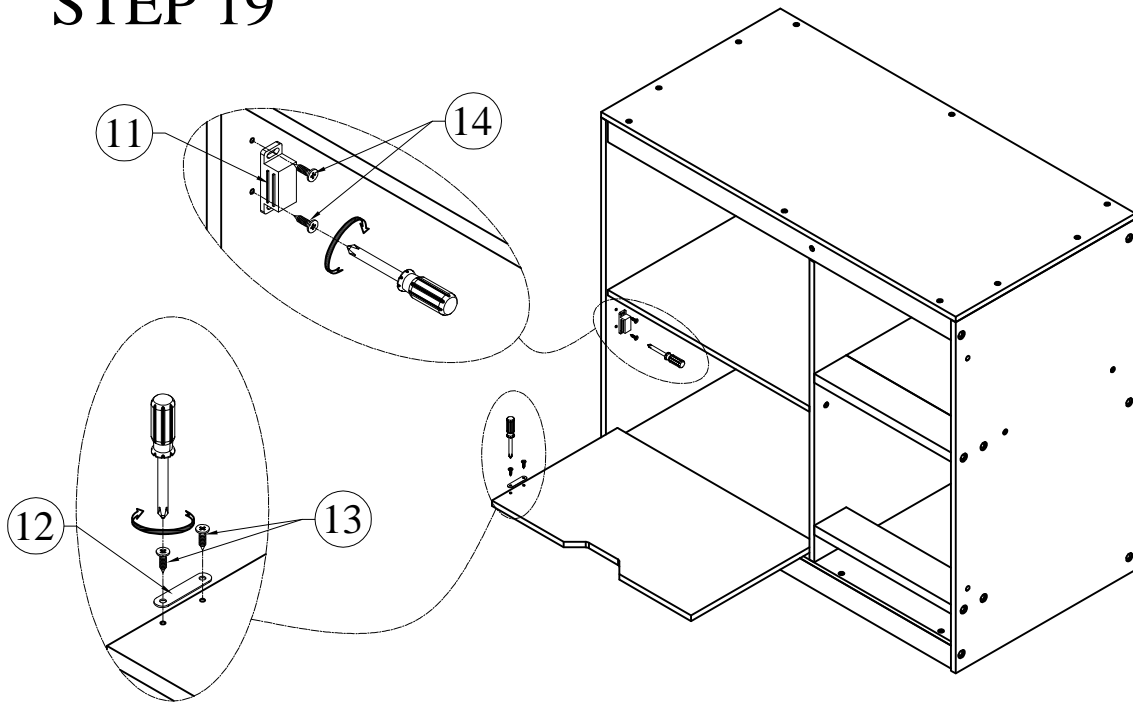
# STEP 18



15  
Wood crews  
M4 \* 25 - 10pcs

16  
Round screw  
M3.5 \* 15 - 16pcs

# STEP 19

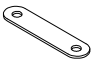


11



Magnet - 1pc

12



Mending plate - 1pc

13



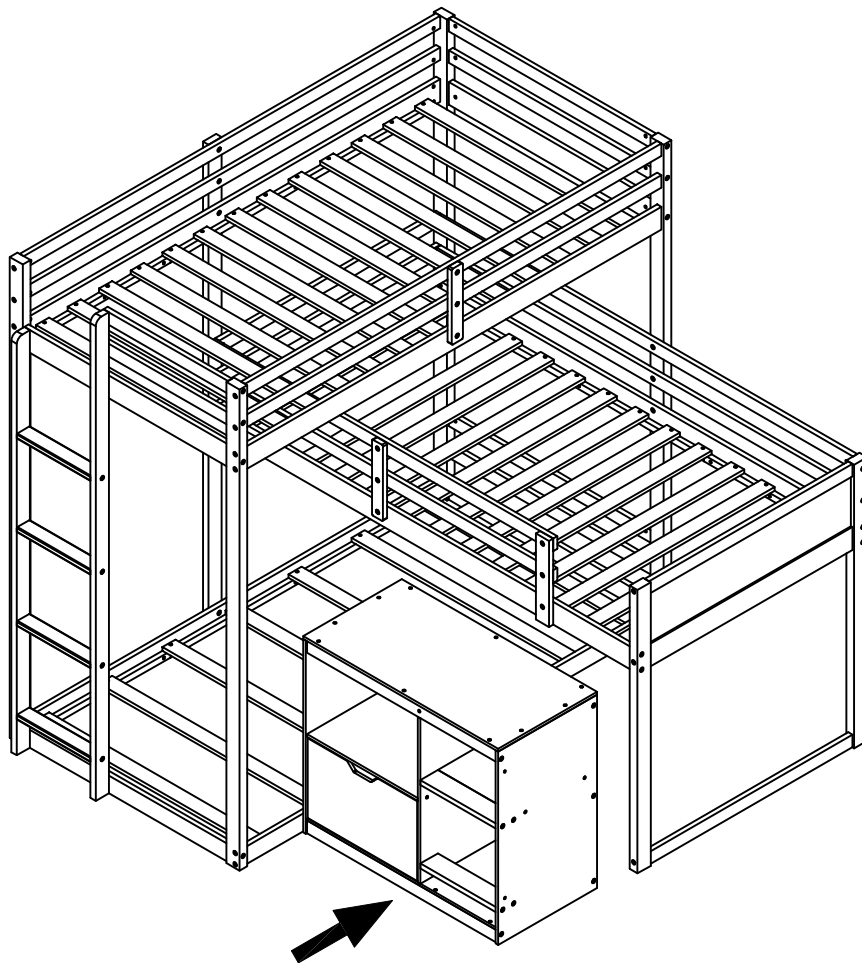
Wood screw  
M3 \* 12 - 2pcs

14



Wood screw  
M3.5 \* 15 - 2pcs

# STEP 20

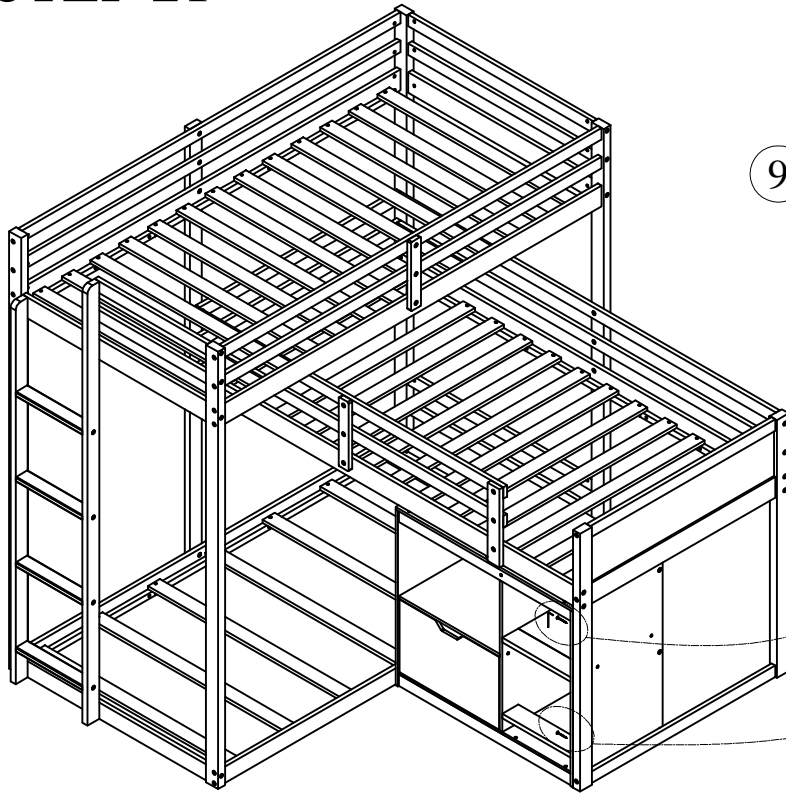


# STEP 21

5



Hexagonal bolts catch wood  
Ø6 \* 30 - 2pcs



# COMPLETED

