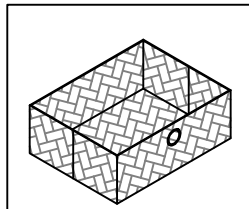
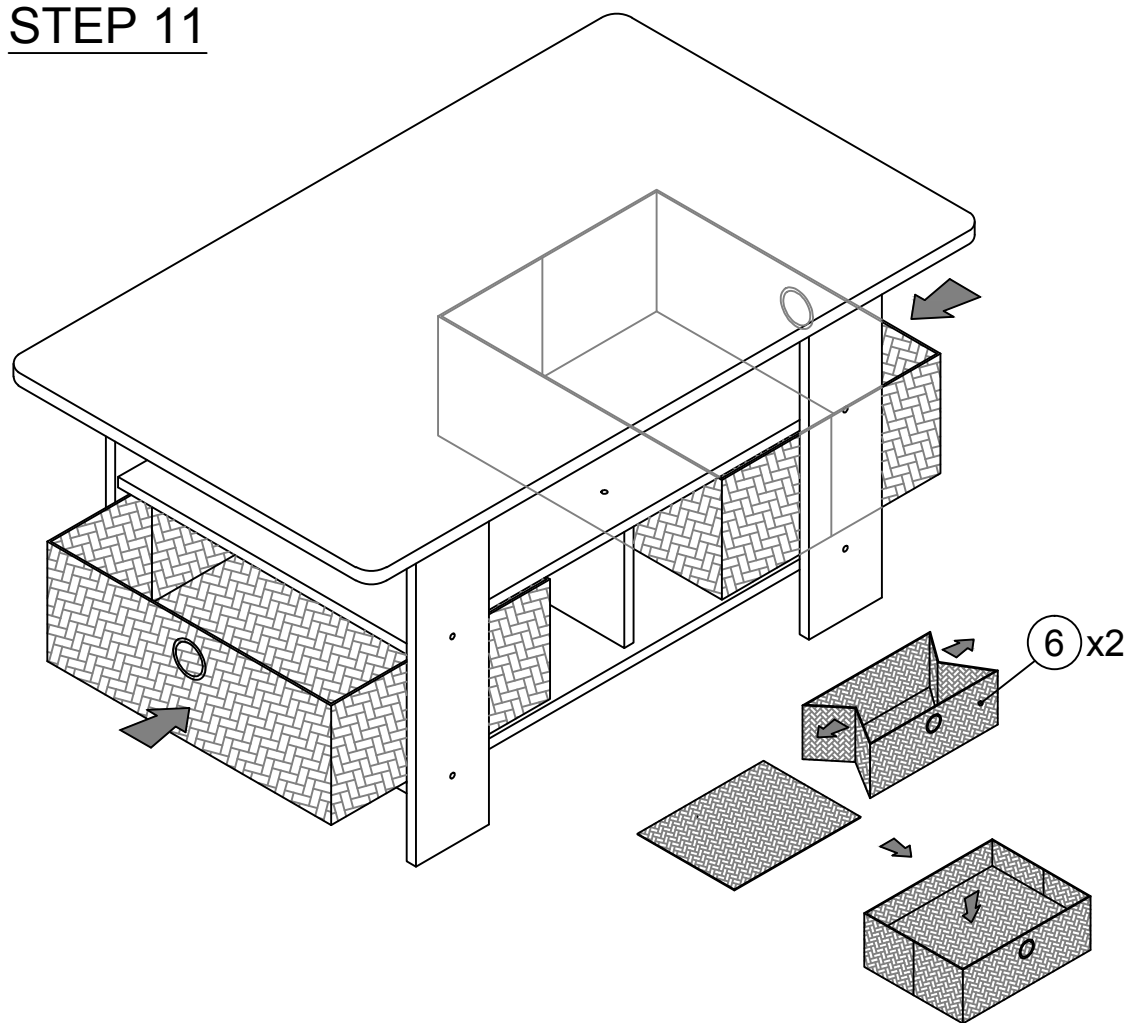


ASSEMBLED UNIT

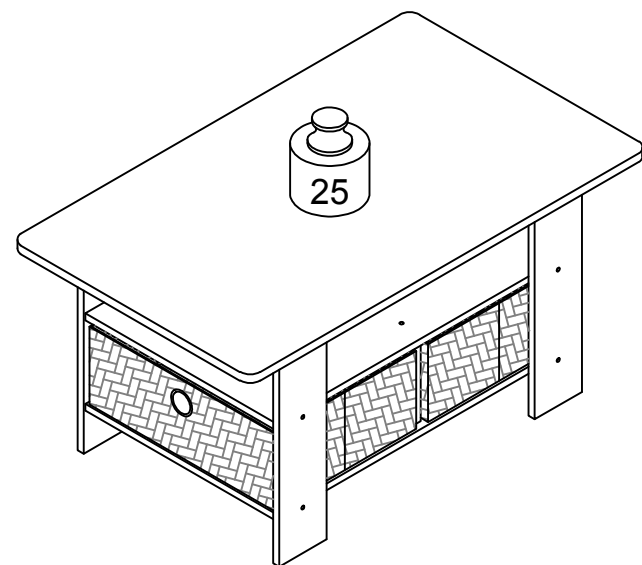


ASSEMBLED UNIT 2 PCS

### STEP 11



### Recommended Maximum Weight



\*Unit in Pound(lbs.)

#### **WARNING:**

>This unit has been designed to support the maximum loads shown. Exceeding these load limits could cause sagging, instability, product collapse, and/or serious injury.

>DO NOT allow children to climb on unit.

> Put heavier items on lower shelves.



## **Assembly Instruction**

Furinno Coffee Table with Bins

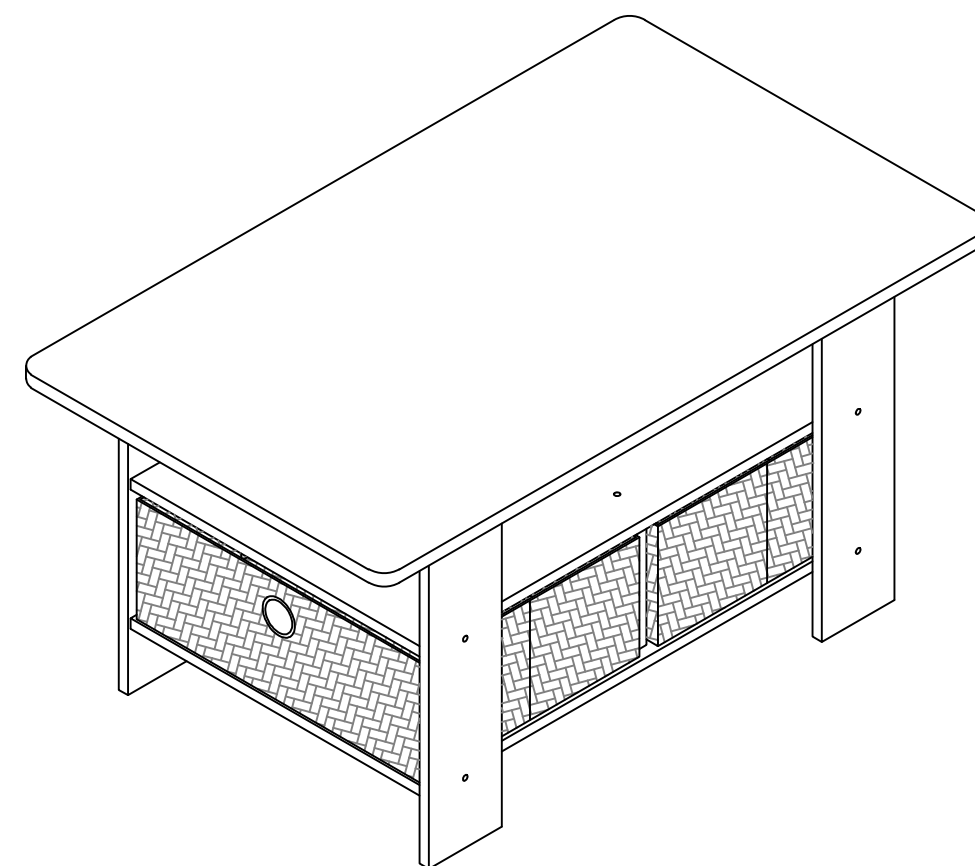
MODEL : 11158

**00:30**

Approx. 30 minutes

Recomm. 1 Person

Tool Required



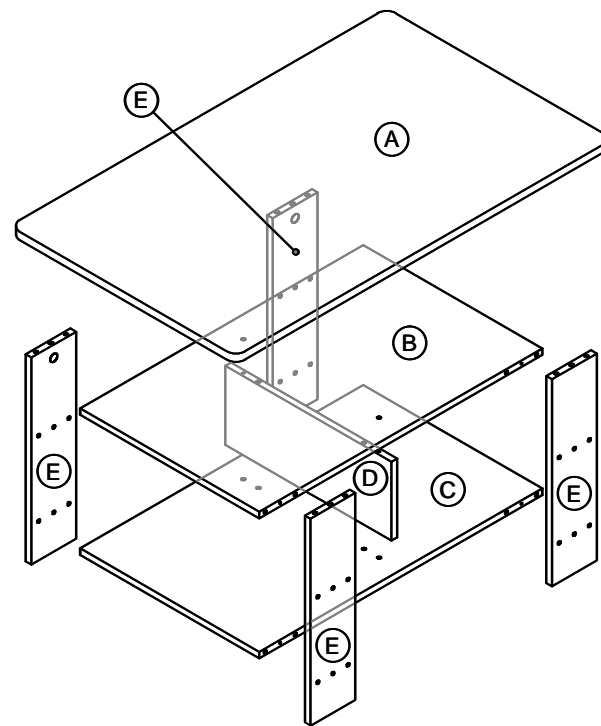
### **Customer Support**

**NEED HELP?** For replacement requests or product inquiries, please contact our Customer Service Team by emailing us at [support@furinno.com](mailto:support@furinno.com). Thank you for selecting Furinno!

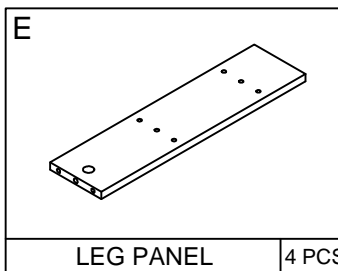
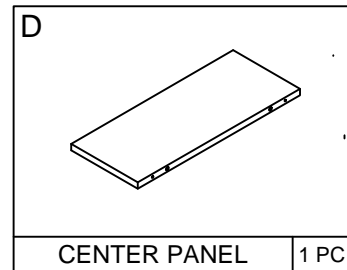
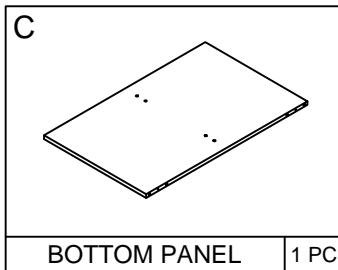
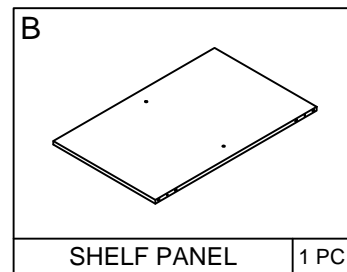
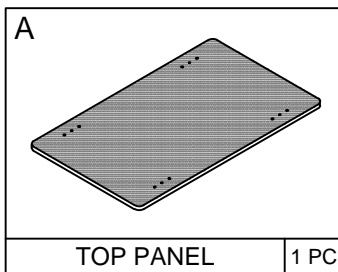
[www.furinno.com](http://www.furinno.com)



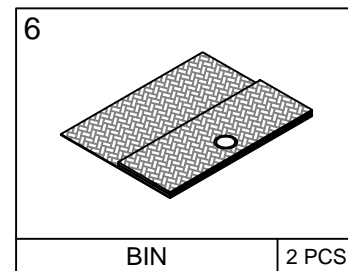
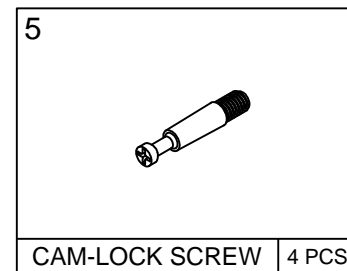
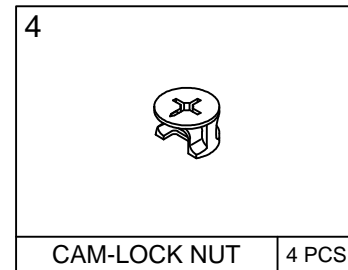
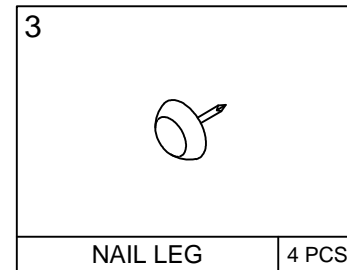
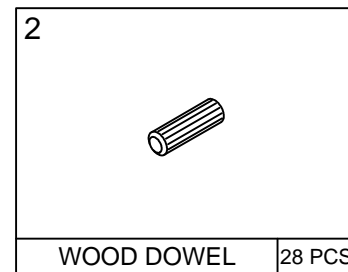
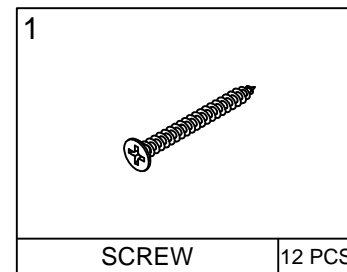
## EXPLODED VIEW



## PARTS LIST



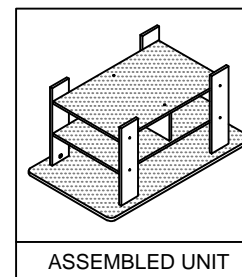
## HARDWARE LIST



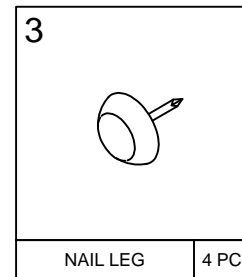
### USEFUL HINTS BEFORE YOU START:

1. Read each step carefully before starting.
2. It is important that each step is performed in correct order to avoid difficulties.
3. Identify, soft and count the parts before assembly.
4. Assemble your furniture on packaging cardboard to prevent scratch or damage.
5. Clean the product with mild cleanser using soft damped cloth. Do not use harsh or abrasive cleanser.
6. Using incompatible hardware might cause damage to product.

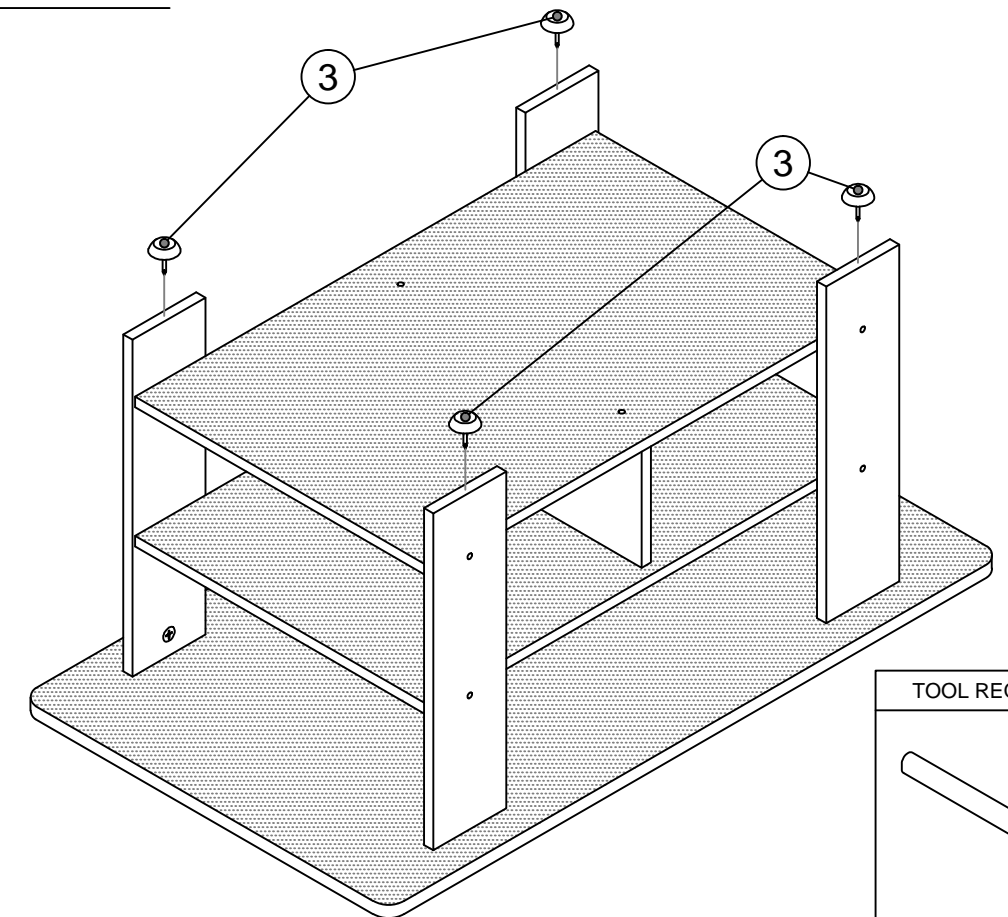
## STEP 9



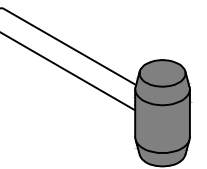
ASSEMBLED UNIT



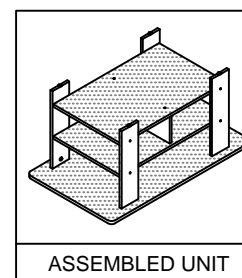
NAIL LEG 4 PCS



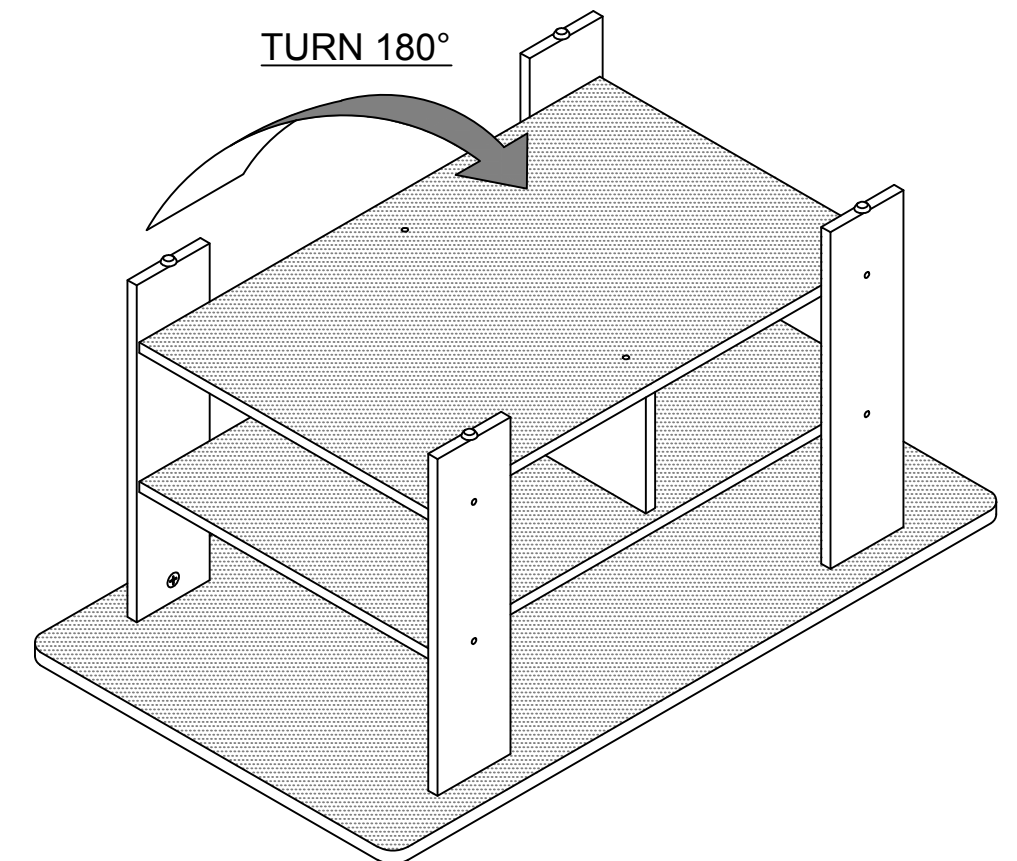
### TOOL REQUIRED



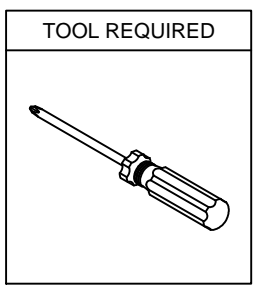
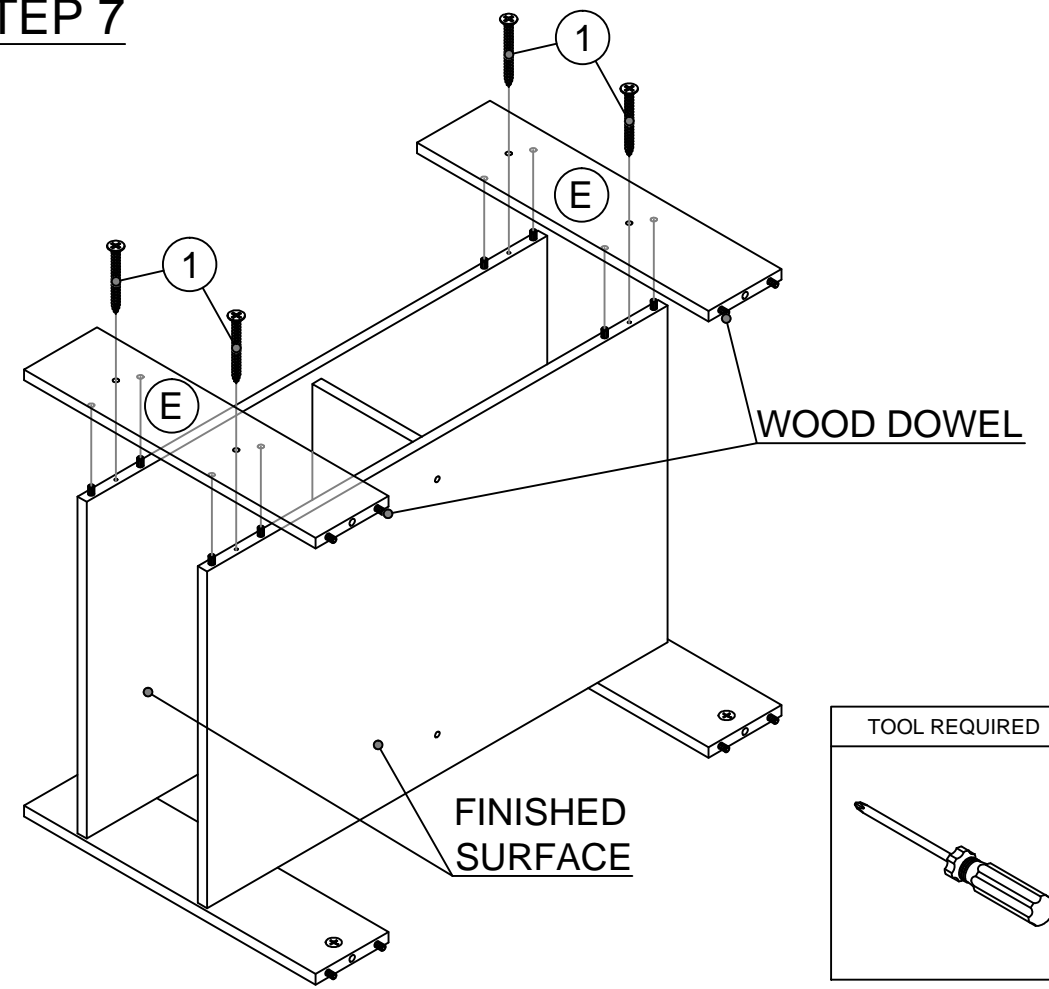
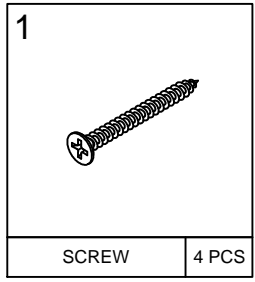
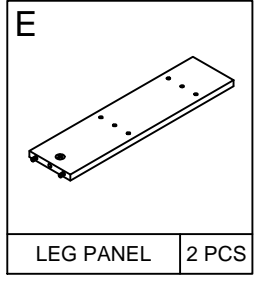
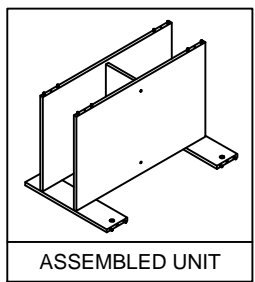
## STEP 10



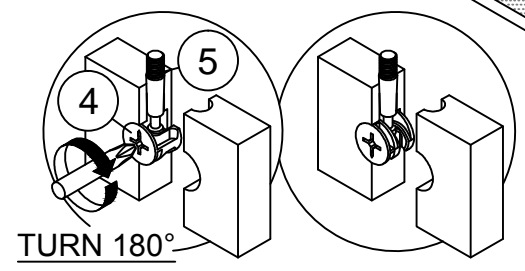
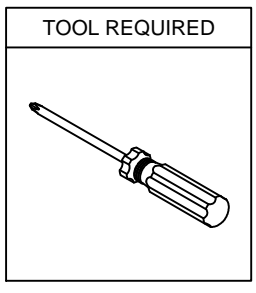
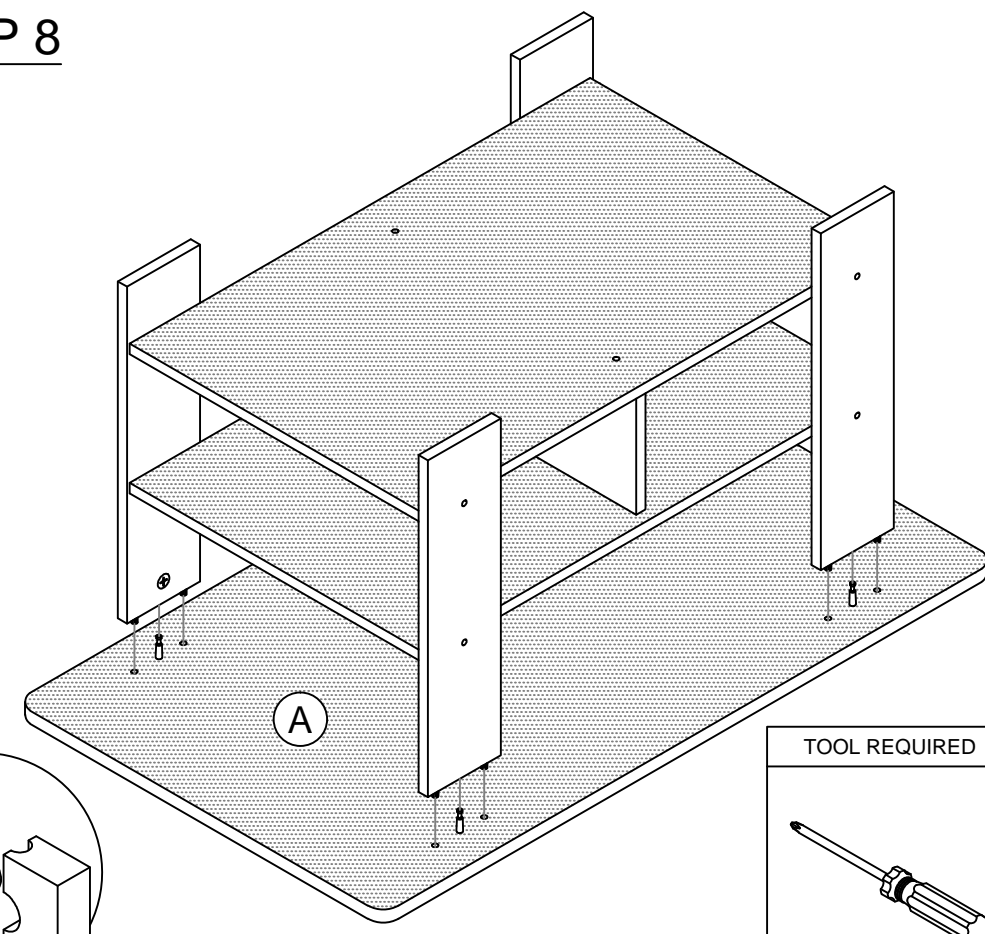
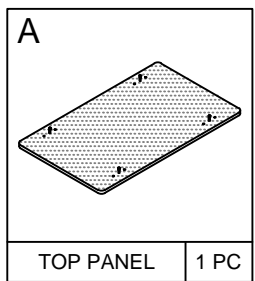
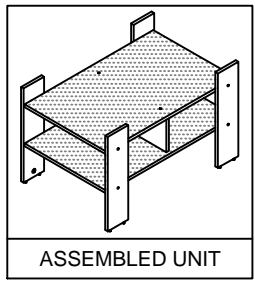
ASSEMBLED UNIT



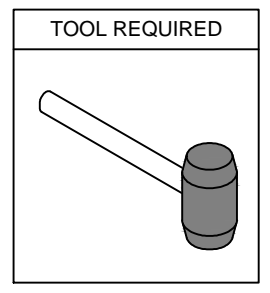
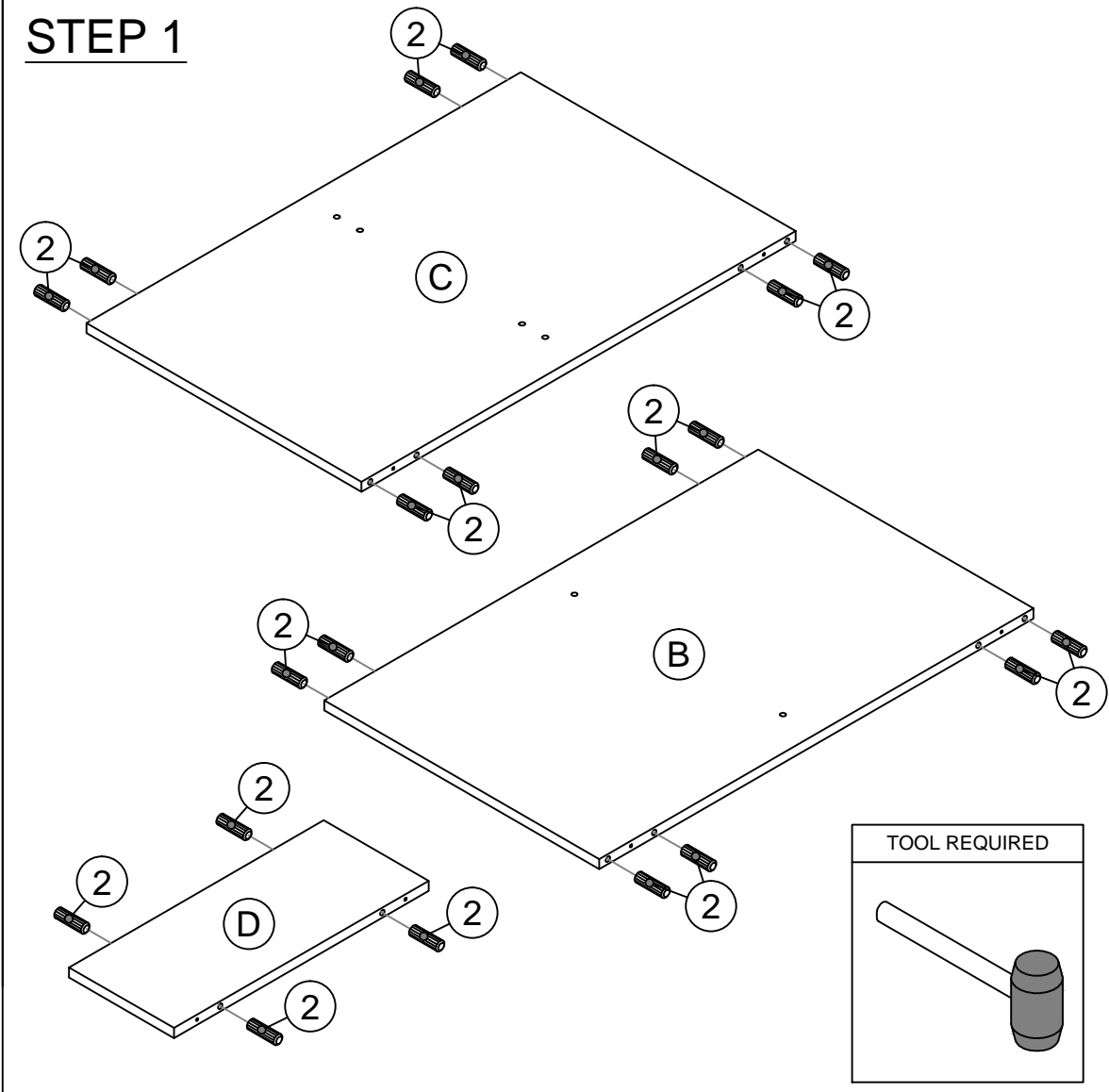
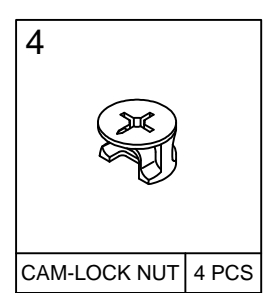
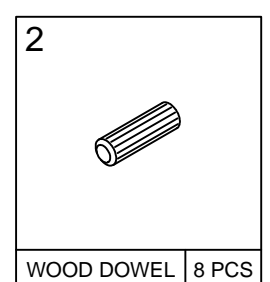
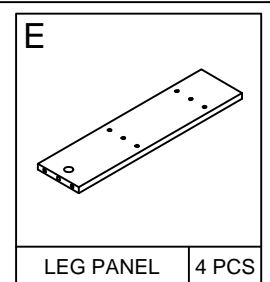
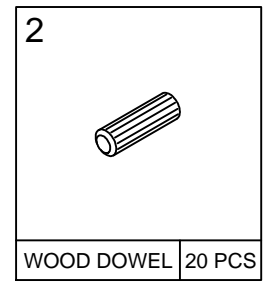
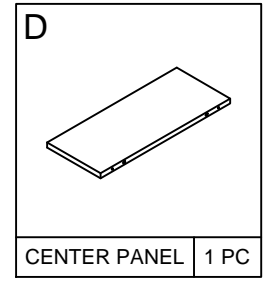
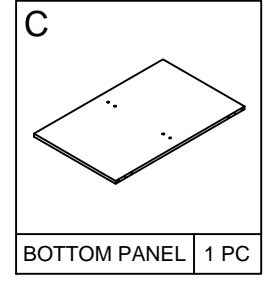
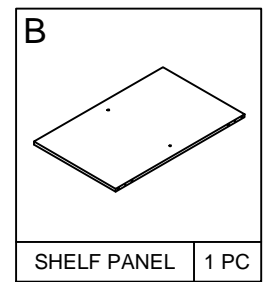
### STEP 7



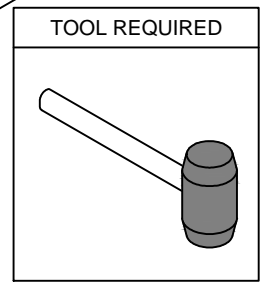
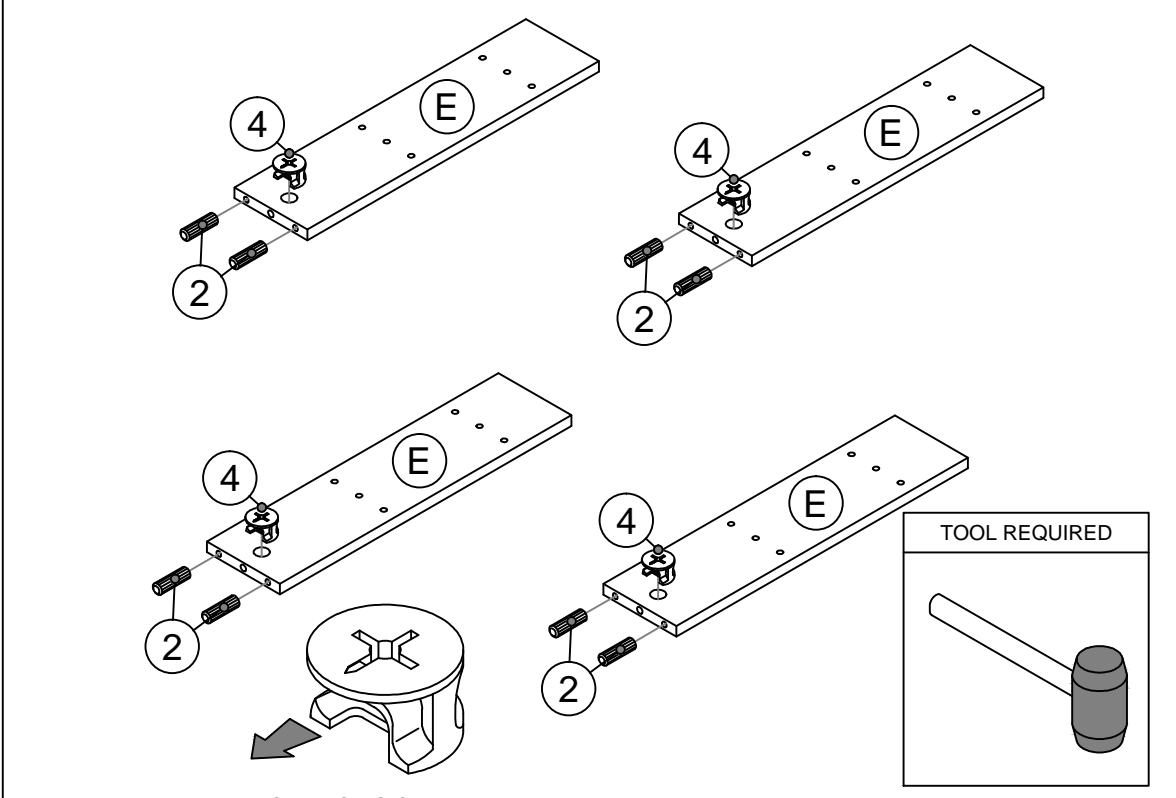
### STEP 8



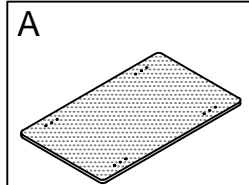
### STEP 1



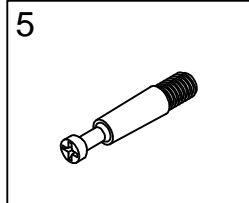
### STEP 2





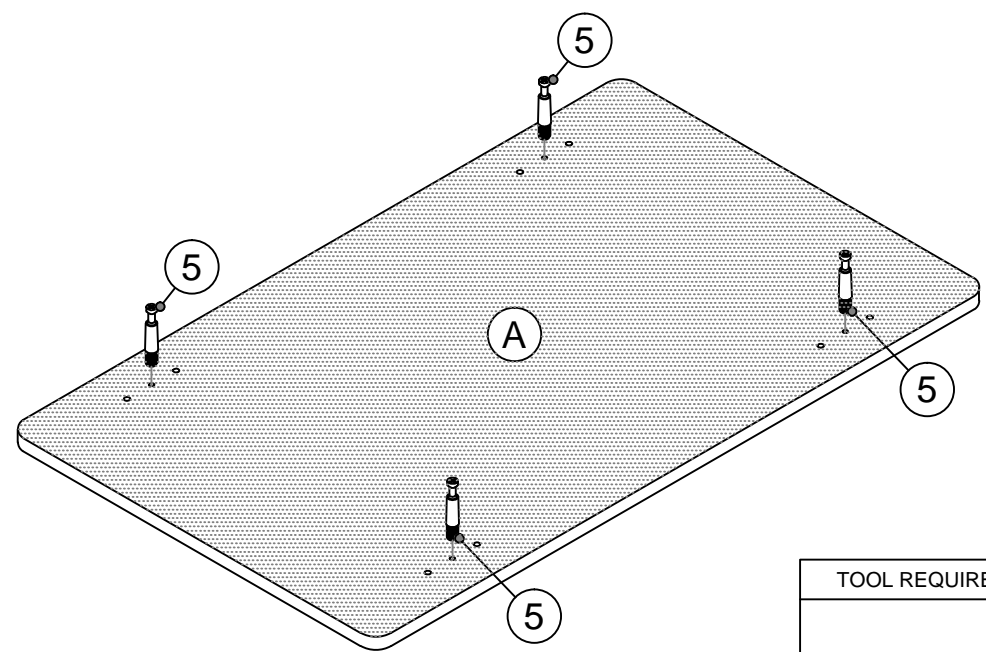


TOP PANEL 1 PC

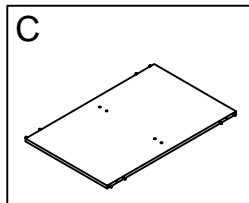


CAM-LOCK SCREW 4 PCS

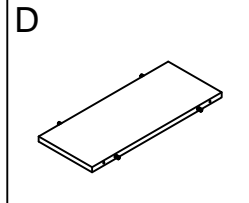
### STEP 3



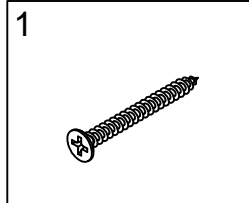
TOOL REQUIRED



BOTTOM PANEL 1 PC

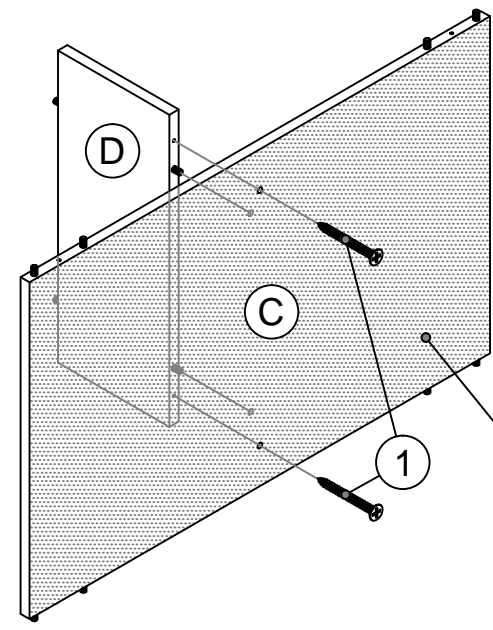


CENTER PANEL 1 PC



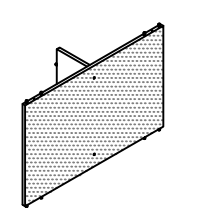
SCREW 2 PCS

### STEP 4

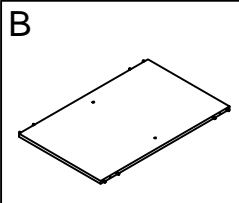


UNFINISHED SURFACE

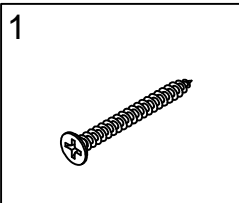
TOOL REQUIRED



ASSEMBLED UNIT

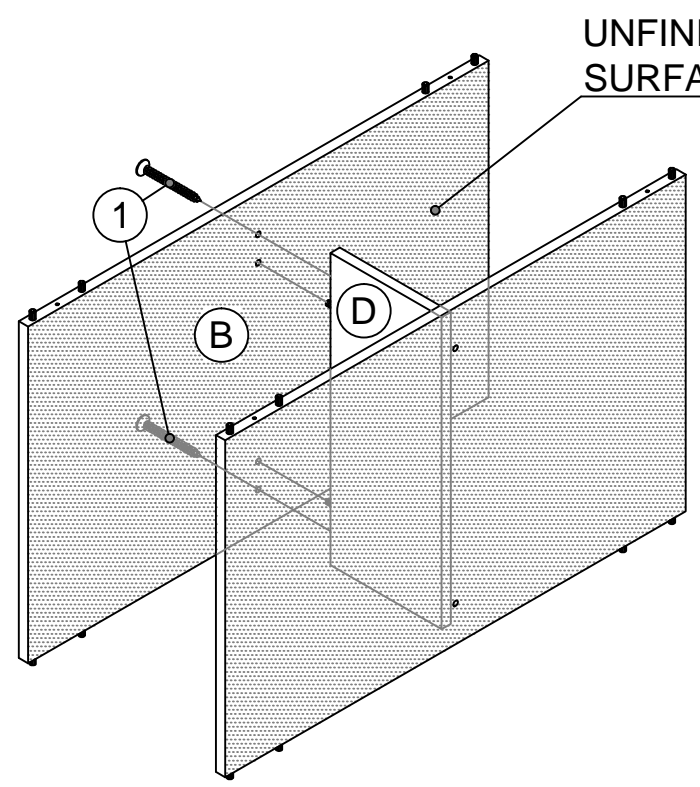


SHELF PANEL 1 PC



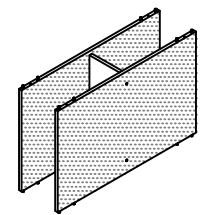
SCREW 2 PCS

### STEP 5

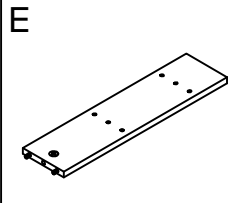


UNFINISHED SURFACE

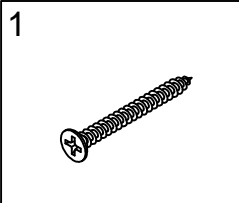
TOOL REQUIRED



ASSEMBLED UNIT

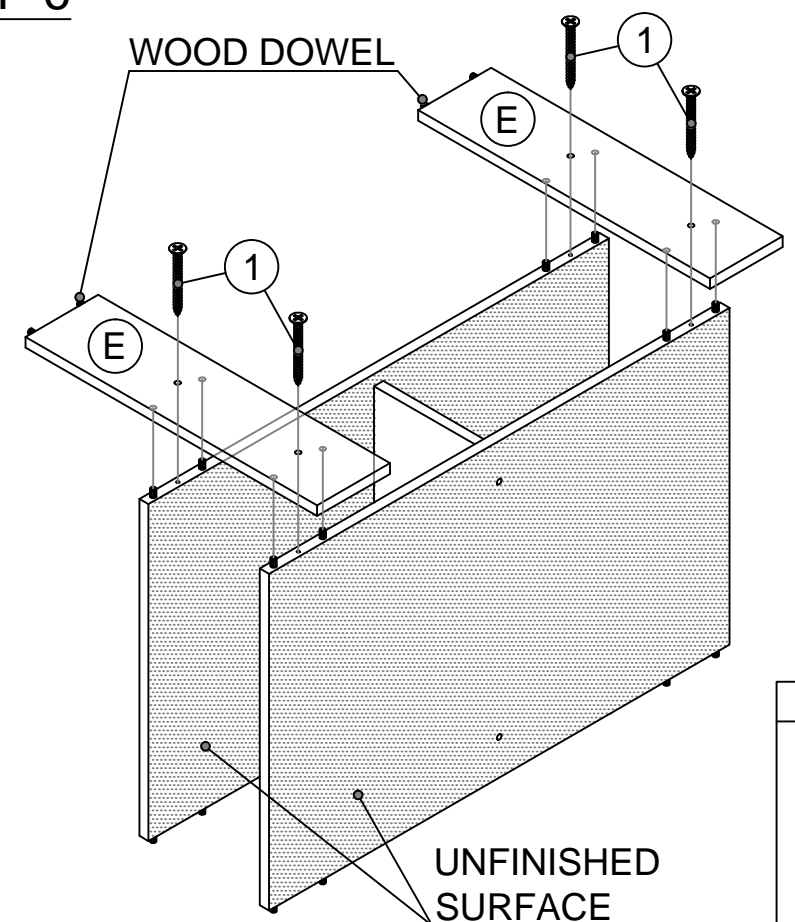


LEG PANEL 2 PCS



SCREW 4 PCS

### STEP 6



WOOD DOWEL

UNFINISHED SURFACE

TOOL REQUIRED