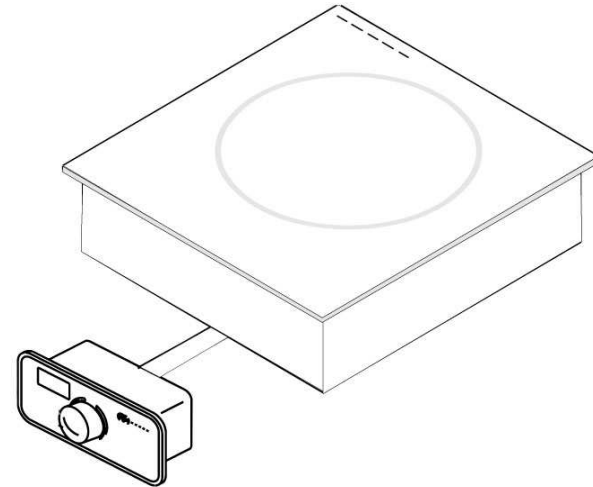




Commercial Radiant Cooktop

RR-1234R



INSTRUCTION MANUAL

Thank you for your purchase.

Please read thoroughly before initial use and keep in a safe place for future reference.

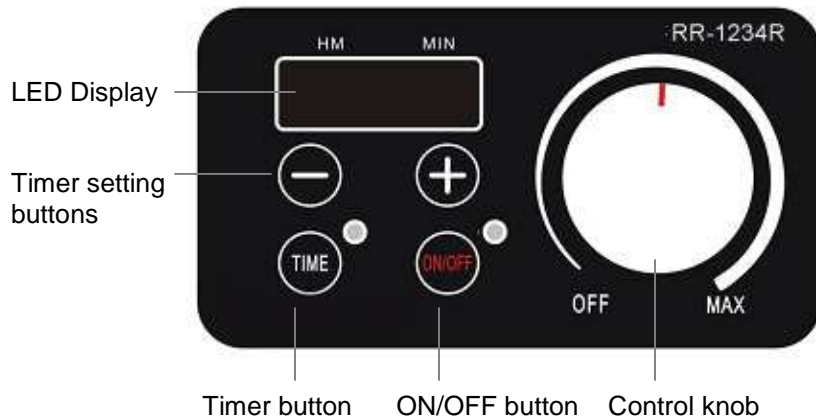
IMPORTANT SAFEGUARDS

- Read all instructions.
- When the Warming indicator is on, this means the ceramic plate is extremely hot, DO NOT TOUCH.
- To protect against electrical shock, do not immerse cord or appliance in water or any other liquid.
- Close supervision is necessary when any appliance is used by or near children.
- Unplug from outlet when not in use and before cleaning.
- Do not operate any appliance with a damaged cord or plug; or after the appliance malfunctions or has been damaged in any way. Return appliance to the Sunpentown for examination, repair or adjustment.
- The use of accessory attachments not recommended by the manufacturer may cause injuries.
- Do not use outdoors.
- Do not allow cord to hang over the edge of table or counter; or touch hot surfaces.
- Do not place on a hot gas/electric burner, or in a heated oven.
- Do not use appliance for anything other than intended use.
- Use of an extension cord is not recommended. If needed, use an extension cord of 14 gauges on diameter not longer than 10 feet.
- Extreme caution must be used when moving an appliance containing hot oil or liquid.
- To disconnect, turn all controls to OFF position, then unplug.
- If glass plate is broken or cracked, stop using the unit immediately. Turn unit off, unplug and contact Sunpentown. Cleaning solution or spillovers may penetrate the plate and cause an electric shock.
- To avoid scalding and foul fumes produced by cleaning solutions on a hot surface, wait for the unit to cool considerably before cleaning.
- This appliance is not a warming appliance. Do not place food directly on glass plate.
- A short power supply cord should be used to reduce the risk of becoming entangled in or tripping over a longer cord.
- Longer extension cords are available and may be used if care is exercised in their use:
 - 1) The marked electrical rating of the extension cord should be at least as great as the electrical rating of the appliance and
 - 2) The cord should be arranged so that it will not drape over countertops where it can be pulled on by children or tripped over unintentionally.
- This appliance has a polarized plug (one blade is wider than the other). To reduce the risk of electric shock, this plug is intended to fit into a polarized outlet only one way. If the plug does not fit fully in the outlet, reverse the plug. If it still does not fit, contact a qualified electrician. Do not attempt to modify the plug in any way.

INDEX

- Important safeguards
- Index
- Structure description & function
- Operation
- Timer
- Lock
- Key points before use
- Selecting the proper cookware
- Care and maintenance
- Specifications
- Trouble shooting
- Save these instructions
- Warranty

CONTROL PANEL



OPERATION

1. Plug power cord to power source and place cookware centered on cooktop. (Once power is connected, the POWER indicator will illuminate and then in standby mode.).

2. Press the On/Off button:

- If the Control dial is at “off” position, power indicator will flash and nothing displayed on LED panel. Turn the Control Dial clockwise to desired setting.
- If the Control dial is already turned pass “off” position, power indicator stays steady on and LED displays current setting.

3. Turn the Control Dial to set at desired level (wattage):

100,200,300,400,500,600,700,800,900,1000,1100,1200,1300,1400

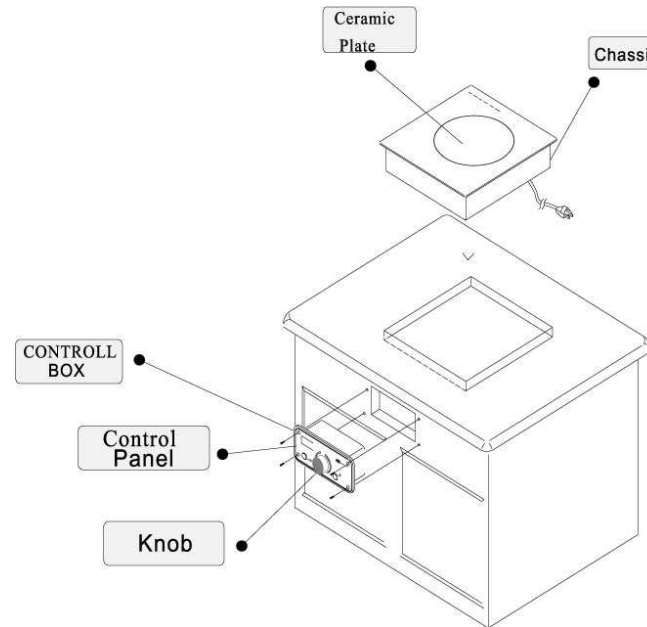
Timer Setting

- Press Timer button, Timer indicator illuminates.
- Press “+” or “-” buttons to set in 1-minute increments, press and hold to set in 10-minute increments. (0-60 min).
- Press Timer button again and use “+” or “-” button to adjust in 1-hour increments (0-24 hrs)
- After 5 seconds, off-timer is set and LED will alternate displaying Power Level and remaining time.

CAUTION: When the Warning indicator is on, the ceramic plate is extremely hot – DO NOT TOUCH.

INSTALLATION

- The cooktop can be surface-mounted into the countertop.
- The cooktop can be flush with the countertop.



KEY POINTS

- When the Warming indicator is on, this means the ceramic plate is extremely hot, DO NOT TOUCH.
- Cooker will automatically shut-off after 2 hours of inactivity (when not set on timer).
- Place cooktop on flat surface, but keep a clearance of 4 inches all around for proper ventilation. If air inlet or outlet is blocked, the internal temperature will rise and cause unit to overheat and shutoff during cooking.
- Never power on unit without cookware. May cause ceramic plate to overheat and crack.
- Keep away from water source. Never immerse unit in water or clean under running water.
- Do not place paper or cloth in between the cooktop and cookware.
- To prevent damage to your cookware, do not heat an empty pan.
- Do not place one cooktop on top of another.
- Do not place on or near a hot gas or electric burner or in a heated oven. If the surrounding temperature is high, unit will shut off.
- Do not use cookware consisting of inferior enamel, synthetic material, china or aluminum. DO NOT USE PLASTIC WRAP.
- Never heat an unopened can on the cooktop as it may explode.
- Plug cooktop in a dedicated 15-amp outlet. Do not share the outlet with other appliances.
- Do not damage the ceramic plate. Be careful not to drop anything onto the ceramic plate. If the plate is broken or cracked, stop using immediately. Turn unit off and unplug.
- Deep-fry is prohibited.
- This cooktop is not intended for use by persons (including children) with reduced physical sensory or mental capabilities; or lack of experience and knowledge, unless supervised by person responsible for their safety.

SELECTING THE PROPER COOKWARE

- This radiant cooktop is not selective with cookware. However, cookware with a flat bottom and matte finish will have the best heat conductivity.
- It is not suggested to use pressure cooker on the cooktop. If you do use one, please use with caution.

CARE & MAINTENANCE

- Unplug unit from power source.
- Wipe ceramic plate and exterior surface with a soft damp cloth. If excessively dirty, soak cloth in a mild detergent and water mixture.

SPECIFICATIONS

Model	RR-1234R
Voltage	120V~ / 60Hz
Power consumption	1400W (max)
Dimension	12.6 x 13.4 x 3.94 (H) in.
Weight	12.79 lbs
Power range	100 - 1400W
Cord length	5.9 ft

TROUBLESHOOTING / ERROR CODES



Your Guarantee

If this product is found to be faulty as a result of faulty materials or workmanship within one year from date of purchase, it will be repaired free of charge.

This guarantee is subject to the following terms:

- Sunpentown must be notified of the fault.
- Proof of purchase must be presented to Sunpentown's nominated representative.
- The warranty will be void if the product is modified, misused or repaired by an unauthorized person.
- The warranty after repair will not be extended beyond the original one-year period.
- All replacement parts will be new or reconditioned.
- Parts, which are replaced, become the property of Sunpentown.
- The warranty applies for the use of the product in the USA only.

What is NOT COVERED:

- Warranty does not include freight charges.
- Incidental or consequential damage caused by possible defects with this product.
- Damage to product caused by improper power supply voltage, accident, fire, floods or acts of nature.
- Failure of product resulting from unauthorized modifications to the product.
- Improper installation or failure to perform the necessary maintenance.

This GUARANTEE is in addition to your Statutory Rights

SUNPENTOWN INTERNATIONAL INC.

1-800-330-0388

service@sunpentown.com

www.spt-usa.com

PROBLEM	CHECK POINTS
Unit is plugged in but power indicator does not come on	<ul style="list-style-type: none"> ▪ Is cooktop firmly plugged into a correct outlet? ▪ Was there a power shortage?
Power indicator is lit but not heating	<ul style="list-style-type: none"> ▪ Please contact Sunpentown
Error code: E5	<ul style="list-style-type: none"> ▪ Check if temperature sensor overheated, if fan is running; or if air outlet or inlet is blocked.
Error code: E6	<ul style="list-style-type: none"> ▪ Temperature sensor open circuit, please contact Sunpentown.
Error code: E7	<ul style="list-style-type: none"> ▪ Temperature sensor short circuit, please contact Sunpentown.
Unit suddenly stops heating during normal operation	<ul style="list-style-type: none"> ▪ Check if unit reached set timer. ▪ Unit has been operating and idle for 2 hours. Safety feature automatically shuts unit off after 2 hours with no setting changes. ▪ Is the Display indicating any of the above error code?

This device complies with part 15 of the FCC rules. Operation is subject to the following two conditions:

- (1) this device may not cause harmful interference, and
- (2) this device must accept any interference received, including interference that may **cause undesired operation**.

CAUTION: Changes or modifications not expressly approved by the party responsible for compliance could void the user's authority to operate the equipment.

NOTE: This equipment has been tested and found to comply with the limits for a consumer ISM equipment, pursuant to Part 18 of the FCC Rules. These limits are designed to provide reasonable protection against harmful interference in a residential installation. This equipment generates, uses, and can radiate radio frequency energy and, if not installed and used in accordance with the instructions, may cause harmful interference to radio communications. However, there is no guarantee that interference will not occur in a particular installation. If this equipment does cause harmful interference to radio or television reception, which can be determined by turning the equipment off and on, the user is encouraged to try to correct the interference by one or more of the following measures:

- Reorient or relocate the receiving antenna.
- Increase the separation between the equipment and receiver.
- Connect the equipment into an outlet on a circuit different from that to which the receiver is connected.
- Consult the dealer or an experienced radio TV technician for help.