

Item # 1005 439 940

Model # FTS61341

HAMPTON BAY®

USE AND CARE GUIDE

ROCK CLIFF RECTANGULAR DINING TABLE



Questions, problems, missing parts? Before returning to the store,
call Hampton Bay Customer Service
8 a.m. - 7 p.m., EST, Monday – Friday, 9 a.m. – 6 p.m., EST, Saturday

1-855-HD-HAMPTON

HAMPTONBAY.COM

THANK YOU

We appreciate the trust and confidence you have placed in Hampton Bay through the purchase of this table. We strive to continually create quality products designed to enhance your home. Visit us online to see our full line of products available for your home improvement needs.


Thank you for choosing Hampton Bay!


Table of Contents

Table of Contents	2	Pre-Assembly	3
Important Safety Instructions	2	Planning Assembly	3
Save These Instructions	2	Hardware Included	4
Read All Instructions before Use	2	Package Contents	4
Warranty	3	Assembly	5
What is covered	3	Care and Cleaning	6
What is not covered	3		

Important Safety Instructions

SAVE THESE INSTRUCTIONS

 **WARNING:** THIS TABLE WAS MADE FOR THE EXPLICIT PURPOSE OF PROVIDING OUTDOOR FUNCTIONS AND IS NOT TO BE USED AS A TOY. THIS PRODUCT IS INTENDED FOR NORMAL OUTDOOR USE; HOWEVER, THE MANUFACTURER RECOMMENDS STORING AND/OR COVERING THIS PRODUCT WHEN ANY FORMIDABLE/SEVERE WEATHER IS APPROACHING.


 **WARNING:** DO NOT LOCATE THIS PRODUCT NEAR OPEN FLAMES. DO NOT USE THIS PRODUCT AS A SUPPORT. DO NOT SHAKE, LEAN OR CLIMB ON THE PRODUCT. CHILDREN UNDER THE AGE OF 10, NEAR THE PRODUCT, SHOULD BE SUPERVISED BY A COMPETENT ADULT AT ALL TIMES. THIS PRODUCT IS NOT INTENDED FOR COMMERCIAL USE AND WILL VOID THE WARRANTY.


READ ALL INSTRUCTIONS BEFORE USE


To reduce the risk of injury to persons:

1. Close supervision is necessary when this furnishing is used by or near children, or disabled persons, if applicable.
2. Use this furnishing only for its intended use as described in these instructions. Do not use attachments not recommended by the manufacturer.
3. Please keep children out of the assembly area before assembly.
4. This table is not intended to support an umbrella. Umbrellas must have a suitable base or stand.

 **CAUTION:** When not in use, secure the product in a cool and covered location.

 **CAUTION:** Do not locate the product near any heat sources.

 **WARNING:** This table is heavy, and may require two adults for safe assembly.

 **WARNING:** Never use this product as a support. Do not shake, lean, or climb on the product at any time.

 **WARNING:** Do not place heavy objects on the table.

Warranty

3 YEAR FRAME LIMITED WARRANTY

WHAT IS COVERED

We warrant the frames to be free of manufacturing defects to the original purchaser for three years.

WHAT IS NOT COVERED

It remains the customer's responsibility for freight and packaging charges to and from our service center. This warranty does not cover commercial use, hardware, acts of nature, fire, freezing and abusive use. In addition, purchased parts are not covered under this warranty. We reserve the right to make substitutions with similar merchandise, if the model in question is no longer in production.

Contact the Customer Service Team at 1-855-HD-HAMPTON or visit www.HAMPTONBAY.com.

Pre-assembly

PLANNING ASSEMBLY

Read all instructions before assembly.

To avoid damaging this product, assemble it on a soft, non-abrasive surface such as carpet or cardboard.



NOTE: More than one person may be required to assemble this product.

Pre-assembly (continued)

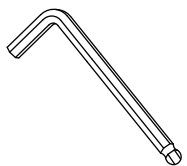
HARDWARE INCLUDED



NOTE: Hardware not shown to actual size.



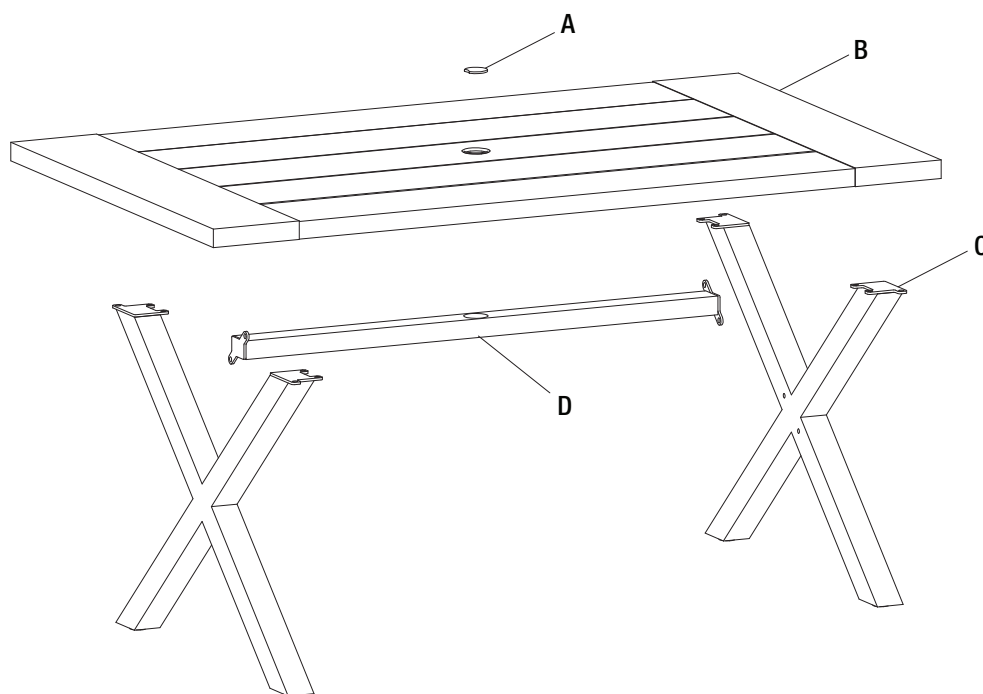
AA



BB

Part	Description	Quantity
AA	M6x20 Combination Bolt	16+1
BB	Hex Wrench	1

PACKAGE CONTENTS



Part	Description	Quantity
A	Umbrella Ring Cover	1
B	Table Top	1
C	Table Leg	2
D	Leg Connector	1

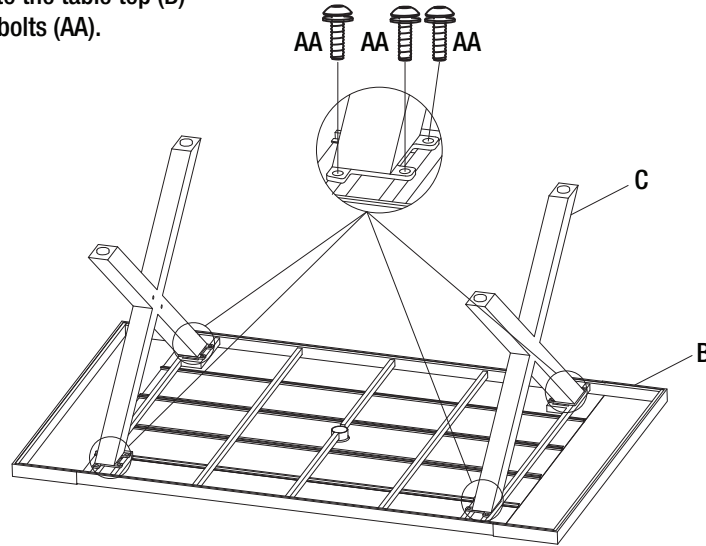
Assembly

1 Connecting The Table Legs To The Table Top



NOTE: Loosely tighten all bolts using the hex wrench (BB).

- Place the table top (B) upside down on a soft surface.
- Connect the table legs (C) to the table top (B) using M6x20 combination bolts (AA).

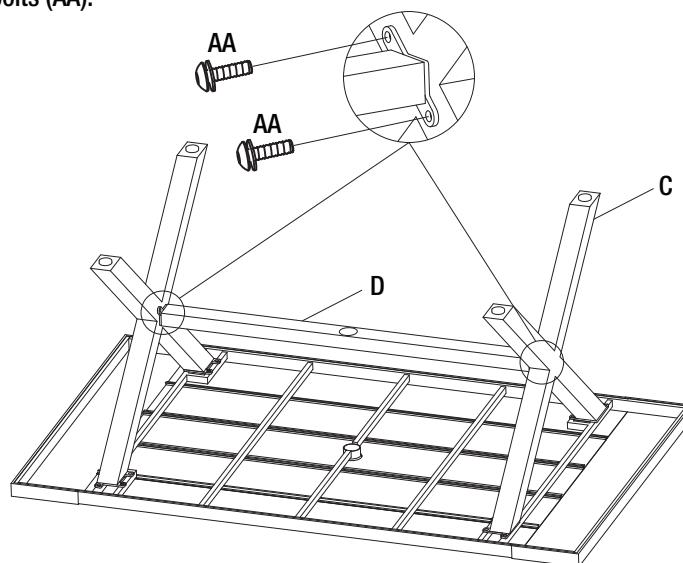


2 Attaching The Leg Connector To The Table Legs



NOTE: Loosely tighten all bolts using the hex wrench (BB).

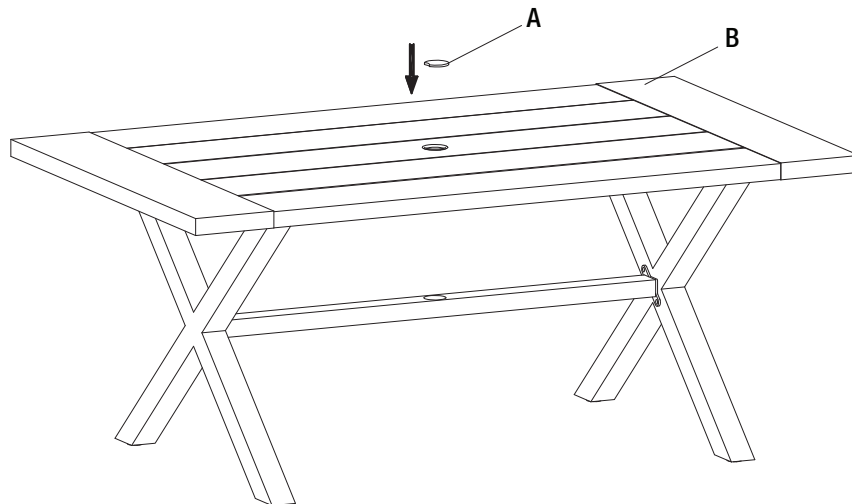
- Attach the leg connector (D) to the table legs (C) using M6x20 combination bolts (AA).



Assembly (continued)

3 Tightening All The Bolts

- Once all the bolts are in place, fully tighten all the bolts.
- Turn the table right side up.
- Put the umbrella ring cover (A) into the table top (B).
- Ensure that all connections are secure before use.



Care and Cleaning

- For best results, clean the frame with a damp cloth and dry thoroughly. This will help prevent mildew by removing dirt particles that may accumulate.
- Do not clean with abrasive materials, bleach or solvents.
- Store the table in a dry, sheltered place when not in use.
- Keep the table away from fire, extreme heat, freezing conditions, and inclement weather such as rain, hail, sleet, snow, or wind.

HAMPTON BAY[®]

Questions, problems, missing parts? Before returning to the store,
call Hampton Bay Customer Service
8 a.m. – 7 p.m., EST, Monday – Friday, 9 a.m. – 6 p.m., EST, Saturday

1-855-HD-HAMPTON

HAMPTONBAY.COM

Retain this manual for future use.

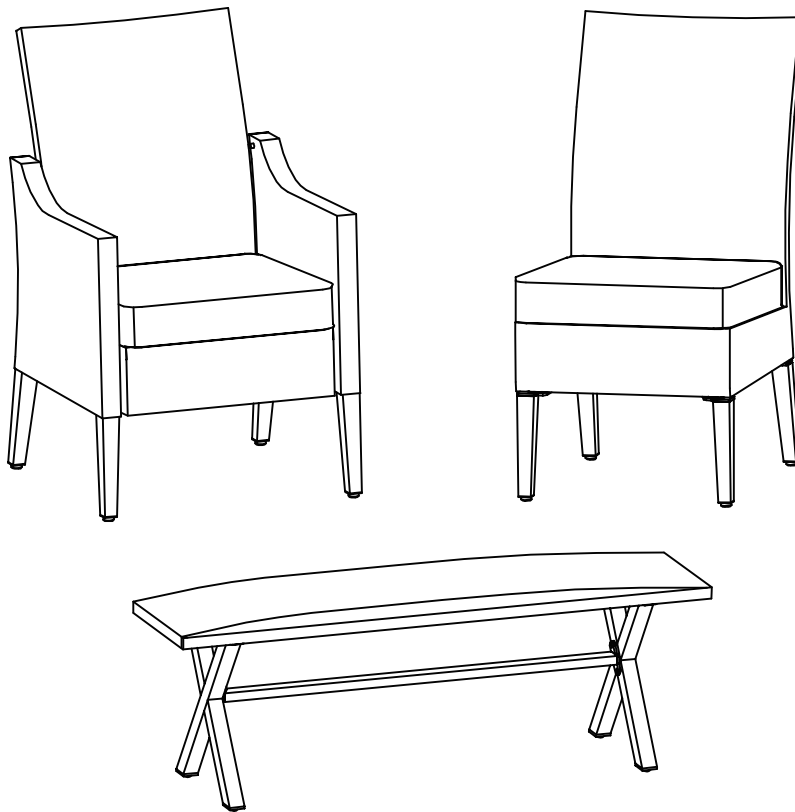
For certification use only
Factory Table ID #FTS61341

Item # 1005 443 324
Model # FRS81146-ST-1BC

HAMPTON BAY[®]

USE AND CARE GUIDE

ROCK CLIFF STEEL WICKER 4PC DINING CHAIR BARE & PADDED BENCH



Questions, problems, missing parts? Before returning to the store,
call Hampton Bay Customer Service
8 a.m. - 7 p.m., EST, Monday – Friday, 9 a.m. – 6 p.m., EST, Saturday

1-855-HD-HAMPTON

HAMPTONBAY.COM

THANK YOU


We appreciate the trust and confidence you have placed in Hampton Bay through the purchase of this set. We strive to continually create quality products designed to enhance your home. Visit us online to see our full line of products available for your home improvement needs. Thank you for choosing Hampton Bay!


Table of Contents

Table of Contents	2	Arm Chair Package Contents	4
Important Safety Instructions	2	Armless Chair Package Contents	5
Save These Instructions	2	Bench Package Contents	6
Read All Instructions before Use	2	Arm Chair Assembly	7
Warranty	3	Armless Chair Assembly	10
What is covered	3	Bench Assembly	11
What is not covered	3	Care and Cleaning	12
Pre-Assembly	3		
Planning Assembly	3		
Hardware Included	4		

Important Safety Instructions

SAVE THESE INSTRUCTIONS


 **WARNING:** THIS SET WAS MADE FOR THE EXPLICIT PURPOSE OF PROVIDING OUTDOOR FUNCTIONS AND IS NOT TO BE USED AS A TOY. THIS PRODUCT IS INTENDED FOR NORMAL OUTDOOR USE; HOWEVER, THE MANUFACTURER RECOMMENDS STORING AND/OR COVERING THIS PRODUCT WHEN ANY FORMIDABLE/SEVERE WEATHER IS APPROACHING.


 **WARNING:** DO NOT LOCATE THIS PRODUCT NEAR OPEN FLAMES. DO NOT USE THIS PRODUCT AS A SUPPORT. DO NOT SHAKE, LEAN OR CLIMB ON THE PRODUCT. CHILDREN UNDER THE AGE OF 10, NEAR THE PRODUCT, SHOULD BE SUPERVISED BY A COMPETENT ADULT AT ALL TIMES. THIS PRODUCT IS NOT INTENDED FOR COMMERCIAL USE AND WILL VOID THE WARRANTY.


READ ALL INSTRUCTIONS BEFORE USE


To reduce the risk of injury to persons:

1. Close supervision is necessary when this furnishing is used by or near children, or disabled persons, if applicable.
2. Use this furnishing only for its intended use as described in these instructions. Do not use attachments not recommended by the manufacturer.
3. Do not move the chair while it is occupied. Failure to obey this caution could result in injury.
4. Do not rock in the chair as you may fall and cause serious injury.


 **CAUTION:** When not in use, secure the product in a cool and covered location.

 **CAUTION:** Do not locate the product near any heat sources.

 **WARNING:** Weight limit for each chair is 250lbs (113.39Kg).

 **WARNING:** Please keep children out of the assembly area before assembly.

 **WARNING:** This set is heavy, and may require two adults for safe assembly.

 **WARNING:** Never use this product as a support. Do not shake, lean, or climb on the product at any time.

 **WARNING:** Do not place heavy objects on the set.

Warranty

3 YEAR FRAME LIMITED WARRANTY

WHAT IS COVERED

We warrant the frames to be free of manufacturing defects to the original purchaser for three years.

WHAT IS NOT COVERED

It remains the customer's responsibility for freight and packaging charges to and from our service center. This warranty does not cover commercial use, hardware, acts of nature, fire, freezing and abusive use. In addition, purchased parts are not covered under this warranty. We reserve the right to make substitutions with similar merchandise, if the model in question is no longer in production.

Contact the Customer Service Team at 1-855-HD-HAMPTON or visit www.HAMPTONBAY.com.

Pre-assembly

PLANNING ASSEMBLY

Read all instructions before assembly.

To avoid damaging this product, assemble it on a soft, non-abrasive surface such as carpet or cardboard.



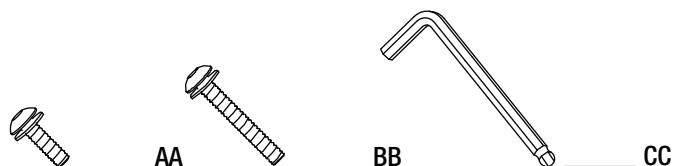
NOTE: More than one person may be required to assemble this product.

Pre-assembly (continued)

HARDWARE INCLUDED

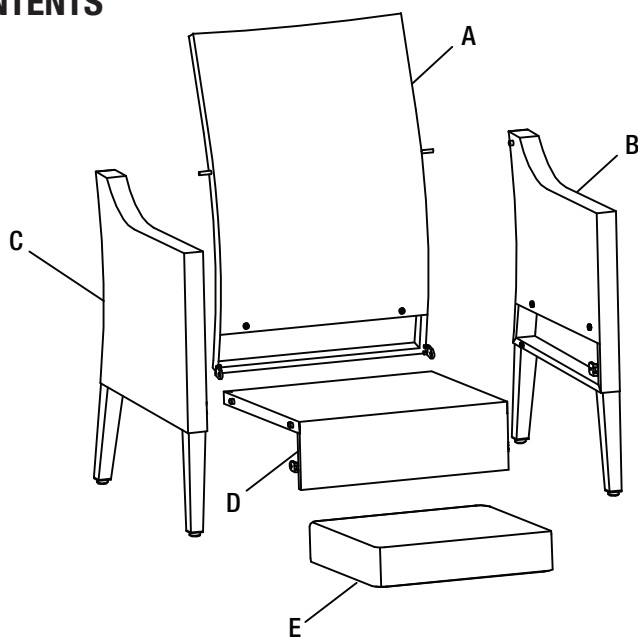


NOTE: Hardware not shown to actual size.



Part	Description	Quantity
AA	M6x20 Combination Bolt	44+1
BB	M6x40 Combination Bolt	12+1
CC	Hex Wrench	1

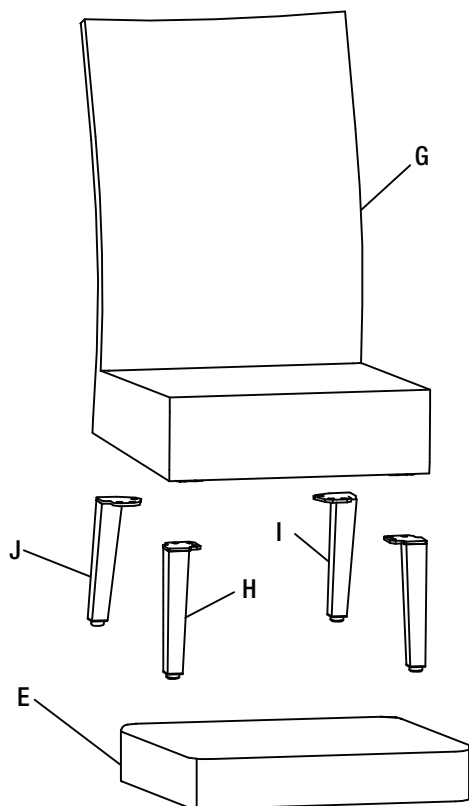
ARM CHAIR PACKAGE CONTENTS



Part	Description	Quantity
A	Chair Back	2
B	Left Arm	2
C	Right Arm	2
D	Chair Seat	2
E	Seat Cushion	2

Pre-assembly (continued)

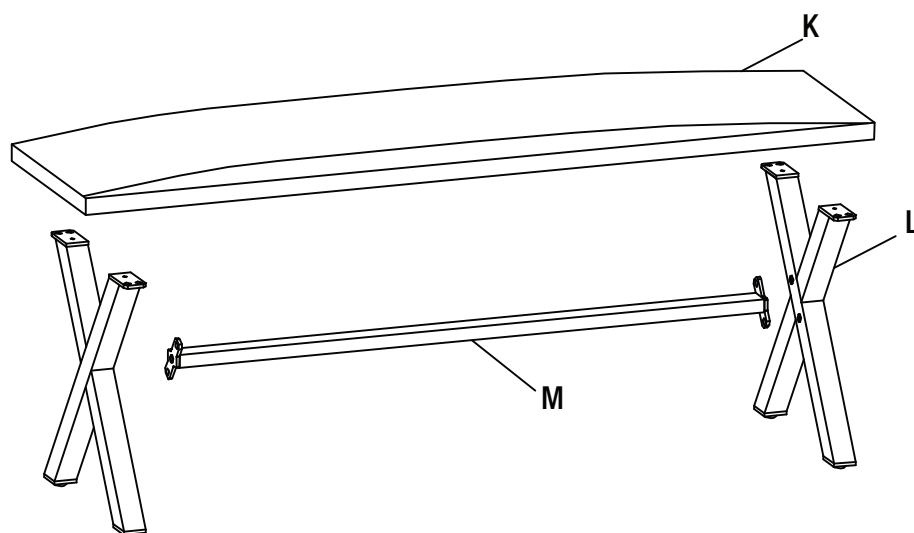
ARMLESS CHAIR PACKAGE CONTENTS



Part	Description	Quantity
E	Seat cushion	2
G	Armless Chair Seat	2
H	Front Leg	4
I	Left Rear Leg	2
J	Right Rear Leg	2

Pre-assembly (continued)

BENCH PACKAGE CONTENTS

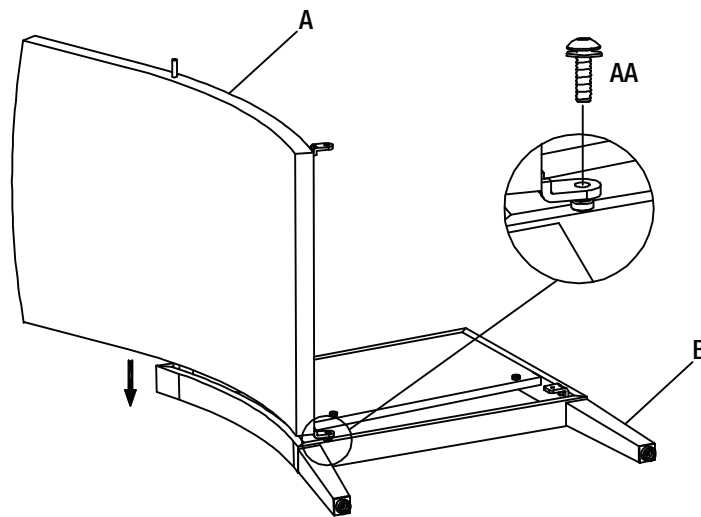


Part	Description	Quantity
K	Bench Top	1
L	Bench Leg	2
M	Bench Leg Connector	1

Arm Chair Assembly

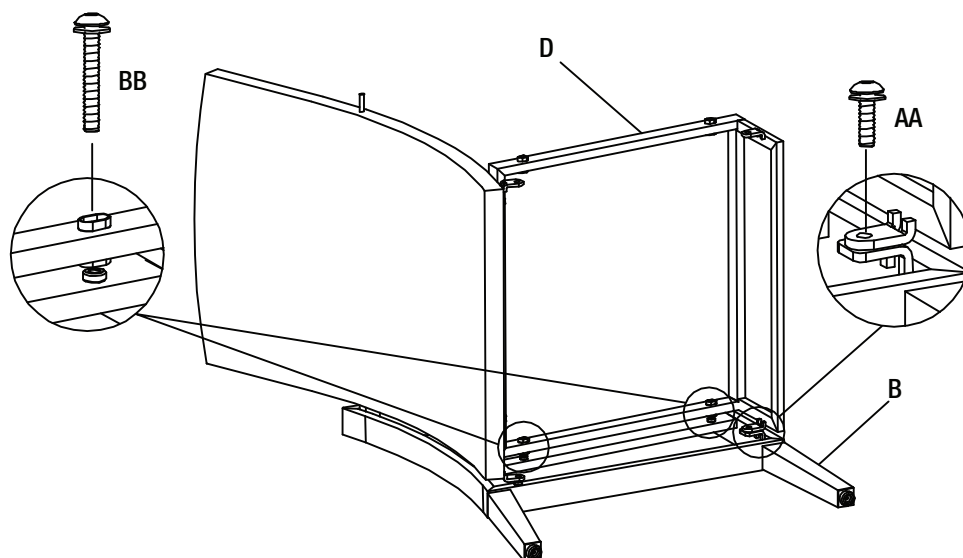
1 Connecting The Chair Back To The Left Arm

- Place the left arm (B) on a soft surface.
- Insert the chair back (A) into the left arm (B). Tighten using an M6x20 combination bolt (AA).
- Do not tighten the bolt at this step.



2 Attaching The Chair Seat To The Left Arm

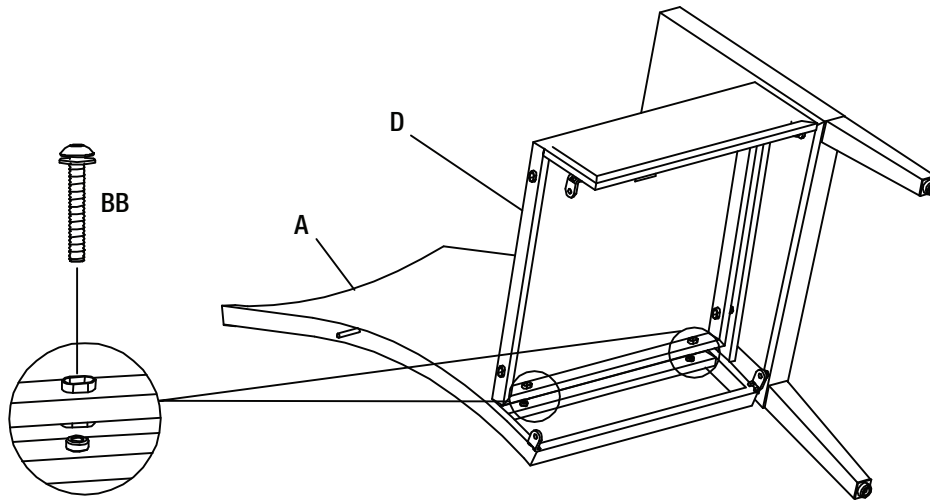
- Attach the chair seat (D) to the left arm (B) using M6x40 combination bolts (BB) and an M6x20 combination bolt (AA), as shown below.
- Do not tighten all bolts at this step.



Arm Chair Assembly (continued)

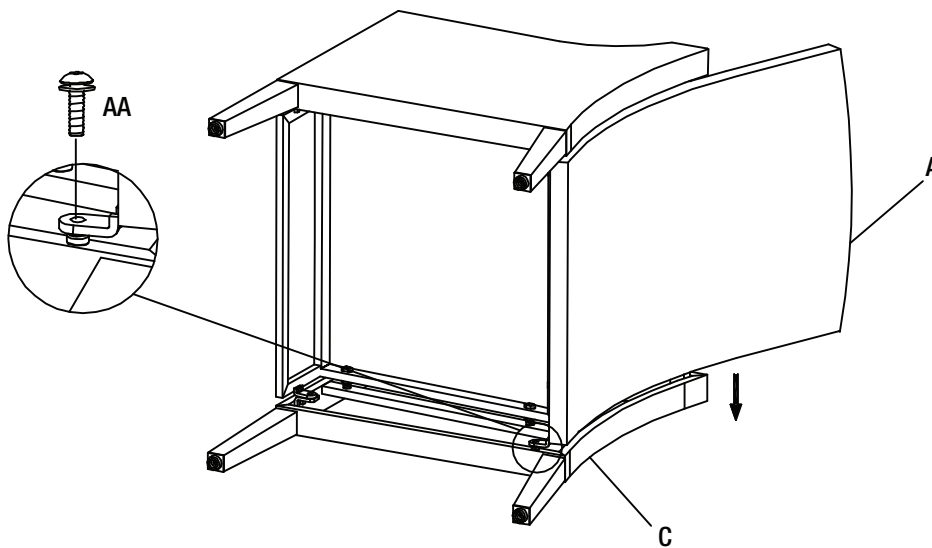
3 Attaching The Chair Seat To The Chair Back

- Place the chair back (A) on the soft surface.
- Attach the chair seat (D) to the chair back (A) using M6x40 combination bolts (BB).
- Do not tighten all bolts at this step.



4 Attaching The Right Arm To The Chair Back

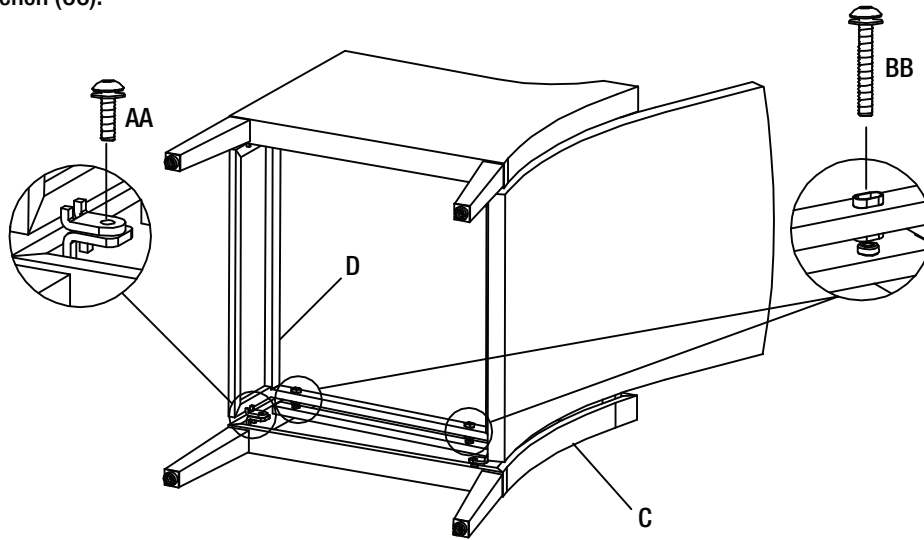
- Insert the chair back (A) into the right arm (C). Tighten using an M6x20 combination bolt (AA).
- Do not tighten the bolt at this step.



Arm Chair Assembly (continued)

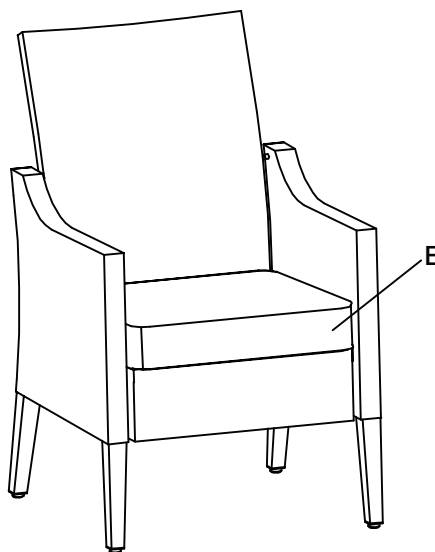
5 Attaching The Right Arm To The Chair Seat

- Attach the chair seat (D) to the right arm (C) using M6x40 combination bolts (BB) and an M6x20 combination bolt (AA).
- Once all of the bolts are in place, fully tighten all the bolts using the hex wrench (CC).



6 Checking The Arm Chair

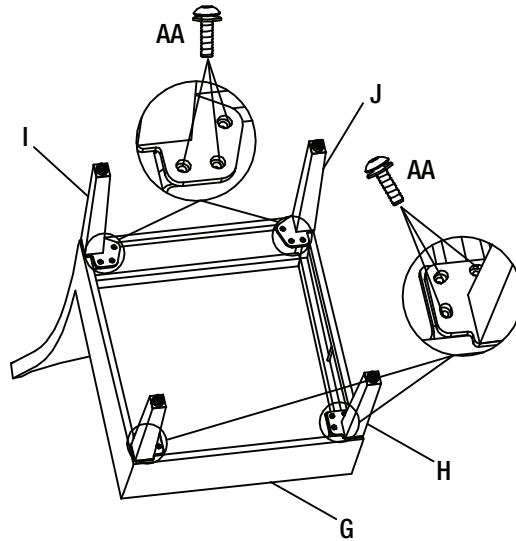
- Turn the arm chair right side up.
- Place the seat cushion (E) to finish the assembly of the arm chair.
- Ensure all connections are secure before use.



Armless Chair Assembly

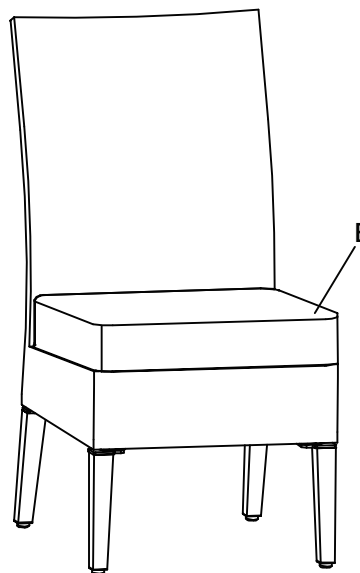
1 Attaching The Armless Chair Legs To The Armless Chair Seat

- Place the armless chair seat (G) upside down on a soft surface.
- Attach the left rear leg (I), the right rear leg (J) and the two front legs (H) to the armless chair seat (G) using M6x20 combination bolts (AA).
- Fully tighten all the bolts using the hex wrench (CC).



2 Checking The Armless Chair

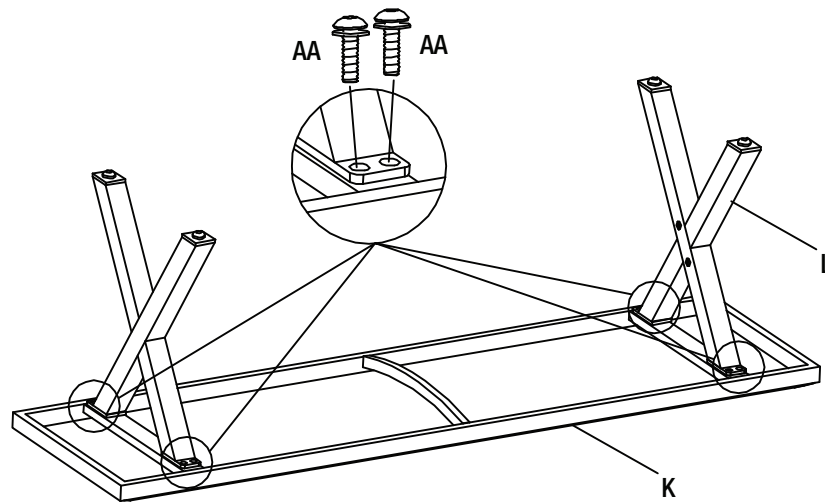
- Turn the armless chair right side up.
- Place the armless chair seat cushion (E) to finish the assembly of the armless chair.
- Ensure all connections are secure before use.



Bench Assembly

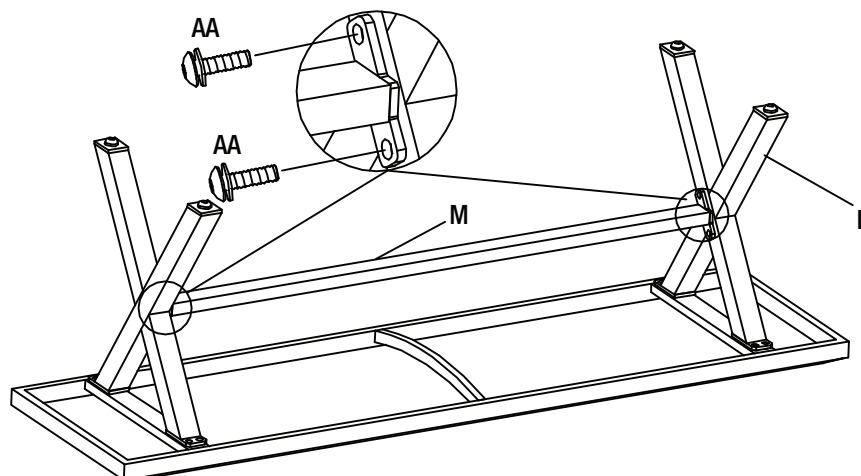
1 Attaching The Bench Legs To The Bench Top

- Place the bench top (K) upside down on a soft surface.
- Attach the bench legs (L) to the bench top (K) using M6x20 combination bolts (AA).
- Do not tighten all bolts at this step.



2 Attaching The Bench Leg Connector To The Bench Legs

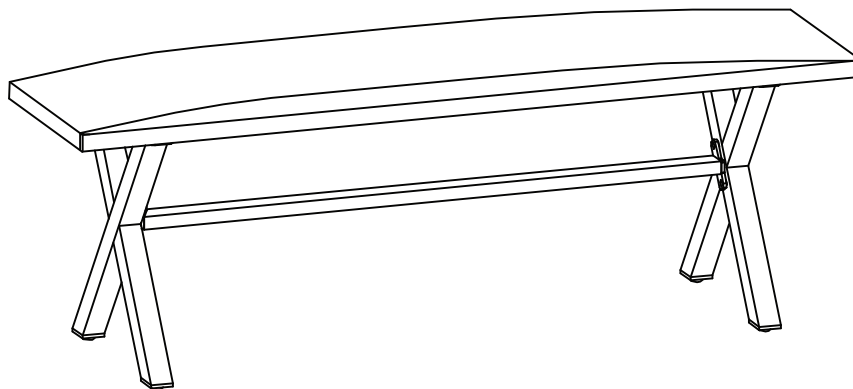
- Attach the bench leg connector (M) to the bench legs (L) using M6x20 combination bolts (AA).
- Once all of bolts are in place, full tighten all the bolts using the hex wrench (CC).



Bench Assembly (continued)

3 Checking The Bench

- Turn the bench right side up.
- Ensure all connections are secure before use.



Care and Cleaning

- For best results, clean the frame and fabric with a damp cloth and dry thoroughly. This will help prevent mildew by removing dirt particles that may accumulate.
- Do not clean with abrasive materials, bleach or solvents.
- Store the set in a dry sheltered place when not in use.
- Keep the set away from fire, extreme heat, freezing conditions, and inclement weather such as rain, hail, sleet, snow, or wind.

HAMPTON BAY®

Questions, problems, missing parts? Before returning to the store,
call Hampton Bay Customer Service
8 a.m. – 7 p.m., EST, Monday – Friday, 9 a.m. – 6 p.m., EST, Saturday

1-855-HD-HAMPTON

HAMPTONBAY.COM

Retain this manual for future use.

For certification use only
Factory Arm Chair ID #FRS81146 Factory Armless Chair ID #FRS81146B Factory Bench ID #FRS811146F