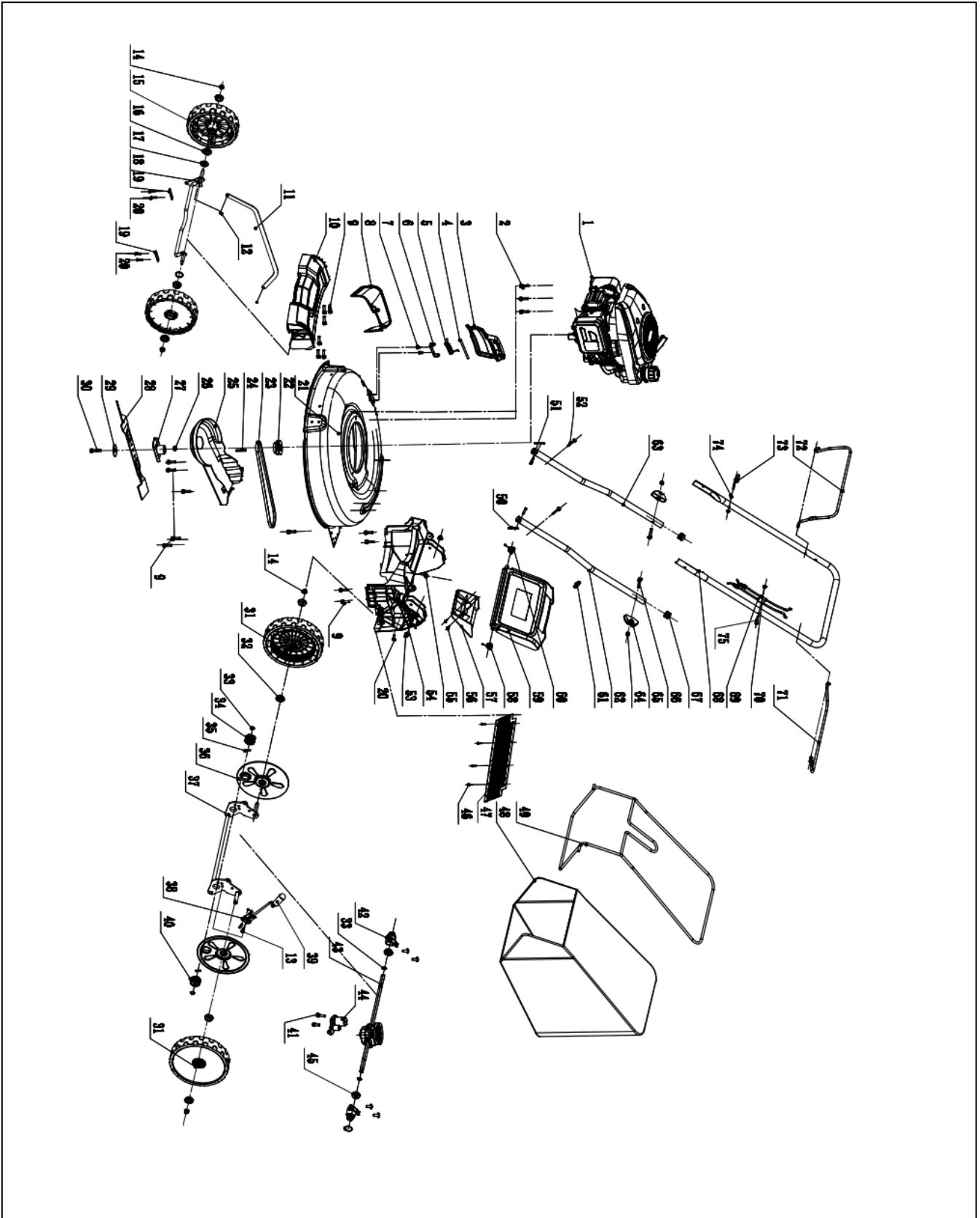


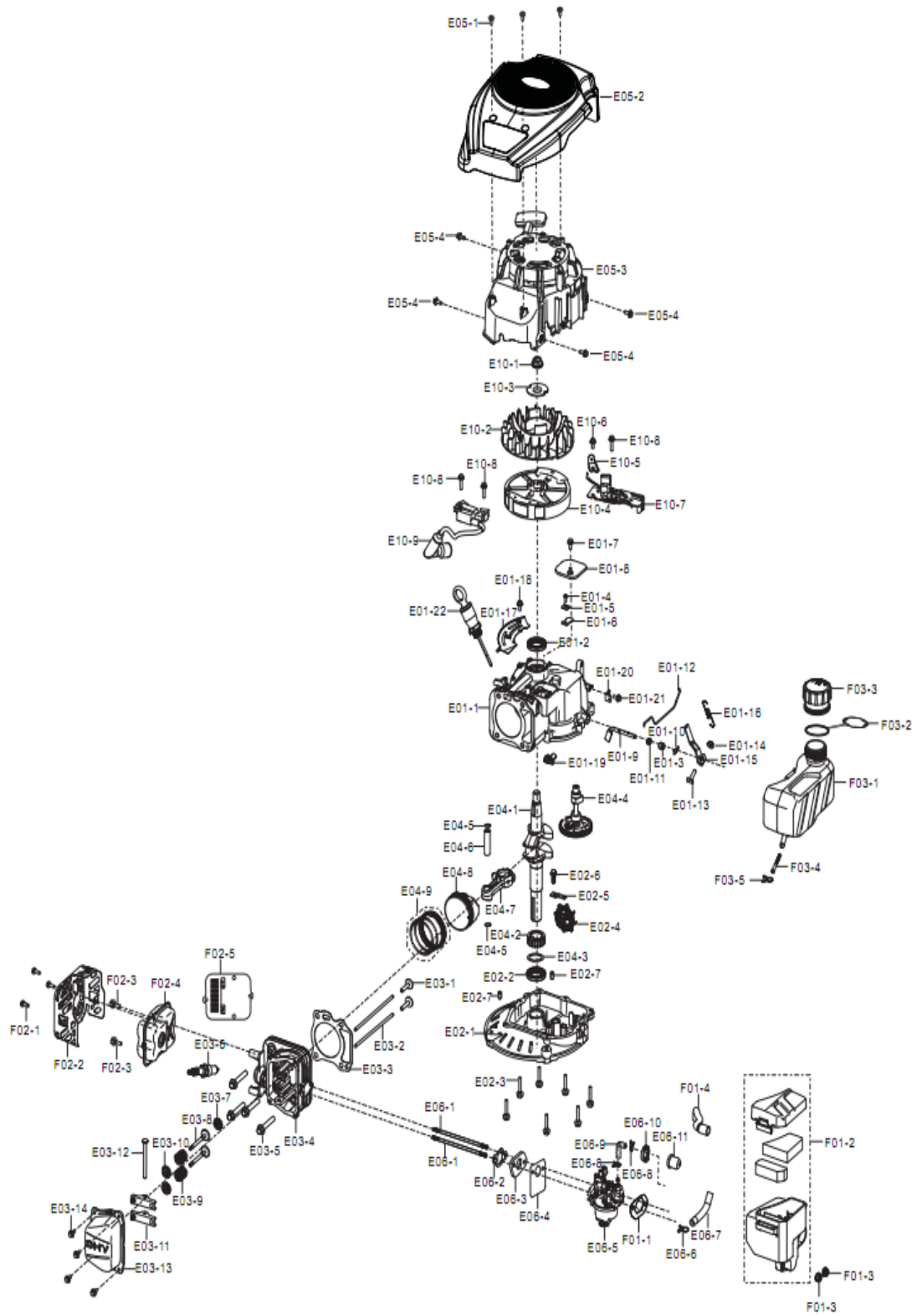
# EXPLODED VIEW AND PARTS LIST



Item	Stock#	Description	Qty
1	303190311	Engine	1
2	303020627	Bolt M8x25	3
3	203050381	Side discharge deflector	1
4	303090066A	Torsional spring pin	1
5	303130335	Torsional spring	1
6	303160456	Side discharge bracket	1
7	303020468	Bolt M6x10	2
8	203050382A	Side discharge chute	1
9	303010332	Self-tapping screw	17
10	203050399B	Front cover	1
11	303181194	Connecting welding	1
12	303030032	Nylon locknut M6	4
13	303020339	Bolt M6x14	4
14	303030077	Locknut M8	4
15	302090173	Rear wheel	2
16	203021115	Front wheel shaft sleeve	4
17	303043005	Wave washer	2
18	303181190	Front axle seaming	1
19	303071034	Axle keeper	2
20	303010216	Self-tapping screw ST6.3x20	10
21	303071382	Deck	1
22	303160808	Triangle wheel	1
23	302040074	V-belt	1
24	303110030	Flat key	1
25	203050521	Belt cover	1
26	303060140	Flat washer	1
27	303180937	Blade connector	1
28	303070862	22-inch Blade	1
29	303043023A	Butterfly washer	1
30	303240517	Blade bolt	1
31	203040021A	self-propelled wheel assembly	2
32	303100002	Deep groove ball bearing	6
33	303050007	external circlip plier	4
34	303160470A	Advance gear right	1
35	303123017A	Cylindrical pin	2
36	203010806A	Rear defense cover	2
37	303181191	Rear self-drive axle seaming	1
38	203050341B	Rod riveting	1

Item	Stock#	Description	Qty
39	203050340	Adjustment handle	1
40	303160471A	Advance gear left	1
41	303020625	Tapping screw ST6.3x30	1
42	203021336	Rear axle sleeve	2
43	303240504B	Drive assembly	1
44	203050520	Support pad	1
45	303100065	Stamping bearings	2
46	303010351	Tapping screw ST6.3x14	4
47	302080050A	Rubber sheet	1
48	302120048	Grass collector	1
49	303080491	Collector holder	1
50	303121005	Cotter pin	2
51	303160807	Axis pin	2
52	303020558	Bolt M6x35	2
53	303030087	Nut M6	2
54	203050400B	Rear base	1
55	302060025	Rubber stopper	1
56	303010095	Tapping screw	2
57	203050389	Rear block cover	1
58	303130336	Rear cover torsional spring left	1
59	203050390A	Rear cover	1
60	303130337	Rear cover torsional Spring right	1
61	203040007	Wire clip	1
62	303080488C	Lower handle L	1
63	303080503C	Lower handle R	1
64	303030026	Nut	2
65	203020336A	Knob	2
66	303020140	T bolt	2
67	302060012	End cap	2
68	303080489A	Upper handle	1
69	303200100	Composite cable	1
70	303030025	Cap nut	2
71	303080630	Drive control bar	1
72	303080635	Cutting control bar	1
73	303160531A	Hook	1
74	303030065	Nut M6	1
75	303020308	Bolt M6x30	1

# Engine explode view and part list



Item	Stock #	Description	Qty
E01-1	11310-Z3C0110-00A0	CRANKCASE SUBASSEMBLY.	1
E01-2	90682-Z240110-0000	SEAL, OIL	1
E01-3	90682-Z030210-0000	SEAL, OIL	1
E01-4	90103-0410-51	SCREW	1
E01-5	11321-Z2P0110-0000	PIECE, BREATH	1
E01-6	11337-Z2P0110-0000	LIMIT BOARD	1
E01-7	90007-0512-A1	BOLT	1
E01-8	11333-Z2P0110-0000	PLATE, BREATH GROOVE COVER	1
E01-9	16061-Z2P0110-00A0	ARM, GOVERNOR	1
E01-10	90501-Z010110-0000	PIN	1
E01-11	90412-Z870210-0000	WASHER, FLAT	1
E01-12	16062-Z2P0110-0000	ROD, GOVERNEOR	1
E01-13	16072-Z010110-0000	BOLT, GOVERNOR SUPPORT	1
E01-14	90305-0600-31	NUT	1
E01-15	16070-Z2P0110-0000	SUPPORT SUBASSEMBLY, GOVERNOR	1
E01-16	16063-Z2P0110-0000	SPRING, GOVERNOR	1
E01-17	19308-Z2P0110-0000	SHIELD, CRANKCASE SIDE	1
E01-18	90007-0512-A1	BOLT	1
E01-19	11340-Z2P0110-0000	Return oil block assembly	1
E01-20	16561-Z2P0110-0000	PLATE SUBASSEMBLY, THROTTLE CONTROL BOTTOM	1
E01-21	90007-0512-A1	BOLT	1
E01-22	15010-Z2P0310-Q200	DIPSTICK, OIL	1
E02-1	11411-Z2P0110-00A0	COVER, CRANKCASE	1
E02-2	90682-Z030320-0000	SEAL, OIL	1
E02-3	90001-0630-01	BOLT	7
E02-4	16400-Z2P0111-00A0	GEAR ASSY, GOVERNOR	1
E02-5	16013-Z030120-0000	PLATE, GOVERNOR SPINDLE COMPRESSION	1
E02-6	90001-0616-01	BOLT	1
E02-7	90502-0812-00	PIN	2
E03-1	14081-Z2P0110-00A0	TAPPET, VALVE	2
E03-2	14071-Z2P0110-00A0	LIFTER, VALVE	2
E03-3	12131-Z3C0110-00A0	GASKET, CYLINDER HEAD	1
E03-4	12140-Z3C0110-00A0	HEAD SUBASSEMBLY, CYLINDER	1
E03-5	90001-0850-01	BOLT	4
E03-6	30010-Z120110-00A0	PLUG, SPARK	1
E03-7	12101-Z810210-00A0	GUIDE, SEAL	1
E03-8	12110-Z3C0110-00A0	VALVES SET	2
E03-9	12103-Z030110-0000	SPRING, VALVE	2
E03-10	12112-Z010110-00A0	SEAT, VALVE SPRING	2
E03-11	14310-Z2P0110-00A0	ROCKER SUBASSEMBLY, VALVE	2
E03-12	14330-Z2P0110-00A0	SHAFT, VALVE ROCKER	1
E03-13	12411-Z2P0110-0000	COVER, CYLINDER HEAD	1
E03-14	90007-0512-A1	BOLT	4
E04-1	13300-Z3C0910-00A0	CRANKSHAFT ASSY.	1
E04-2	14014-Z2P0210-00A0	GEAR, TIMING DRIVE	1

Item	Stock #	Description	Qty
E04-3	90408-Z030210-0000	WASHER, FLAT	1
E04-4	14200-Z2P0110-00A0	CAMSHAFT ASSY.	1
E04-5	13122-Z240110-00A0	CLIP, PISTON PIN	2
E04-6	13121-Z240110-00A0	PIN, PISTON	1
E04-7	13010-Z2P0110-00A0	ROD, CONNECTING	1
E04-8	13111-Z3C0110-00A0	PISTON	1
E04-9	13200-Z870110-00A0	RING ASSY, PISTON	1
E05-1	90107-0516-01	SCREW	3
E05-2	80001-Z2P0210-RC00	HOUSING, ENGINE	1
E05-3	28200-Z2P0310-Q200	STARTER ASSY, RECOIL	1
E05-4	90007-0516-A1	BOLT	4
E06-1	90204-Z010210-0100	BOLT	1
E06-2	17002-Z2P0110-00A0	GASKET, INLET	1
E06-3	16003-Z2P0110-00A0	PLATE, CARBURETOR INSULATOR	1
E06-4	16004-Z2P0110-00A0	GASKET, INSULATOR PLATE	1
E06-5	16100-Z3C0210-00A0	CARBURETOR ASSY.	1
E06-6	90685-1000-01	CLAMP	1
E06-7	90686-Z2P0110-0000	TUBE, FUEL	1
E06-8	90685-0700-01	CLAMP	2
E06-9	16211-Z2P0110-0000	TUBE, STARTING RICHED VALVE	1
E06-10	16212-Z2P0110-0000	SEAT, STARTING RICHED VALVE	1
E06-11	16213-Z2P0110-0000	VALVE BODY, STARTING RICHED	1
E10-1	13501-Z010110-00A0	NUT, FLYWHEEL	1
E10-2	19352-Z2P0110-00A0	IMPELLER	1
E10-3	28020-Z2P0110-0000	SEAT, STARTER CUP	1
E10-4	13510-Z2P0110-00A0	FLYWHEEL SUBASSEMBLY	1
E10-5	30029-Z2P0110-0000	LUG, SHROUD	1
E10-6	90007-0516-A1	BOLT	1
E10-7	45200-Z2P0110-JS00	BRAKE ASSY.	1
E10-8	90007-0520-A1	BOLT	3
E10-9	30400-Z2P0110-0000	COIL, IGNITION	1
F01-1	17001-Z2P0110-00A0	GASKET, AIR CLEANER	1
F01-2	17100-Z2P0110-0000	CLEANER, AIR	1
F01-3	90305-0600-31	NUT	2
F01-4	17004-Z2P0110-0000	TUBE, BREATHER	1
F02-1	90107-0413-03	BOLT	3
F02-2	18130-Z2P0210-0000	COVER, MUFFLER OUTER	1
F02-3	90001-0616-01	BOLT	2
F02-4	18100-Z2P0210-0000	MUFFLER ASSY.	1
F02-5	18020-Z2P0110-00A0	PLATE, MUFFLER INSULATOR	1
F03-1	16600-Z2P0110-Q2A9	TANK ASSY, FUEL	1
F03-2	16744-Z620120-0000	TANK CAP CHAIN	1
F03-3	16730-Z620210-LKD0	COVER, FUEL TANK	1
F03-4	16652-Z030110-00A0	STRAINER, FUEL	1
F03-5	90685-1000-01	CLAMP	1