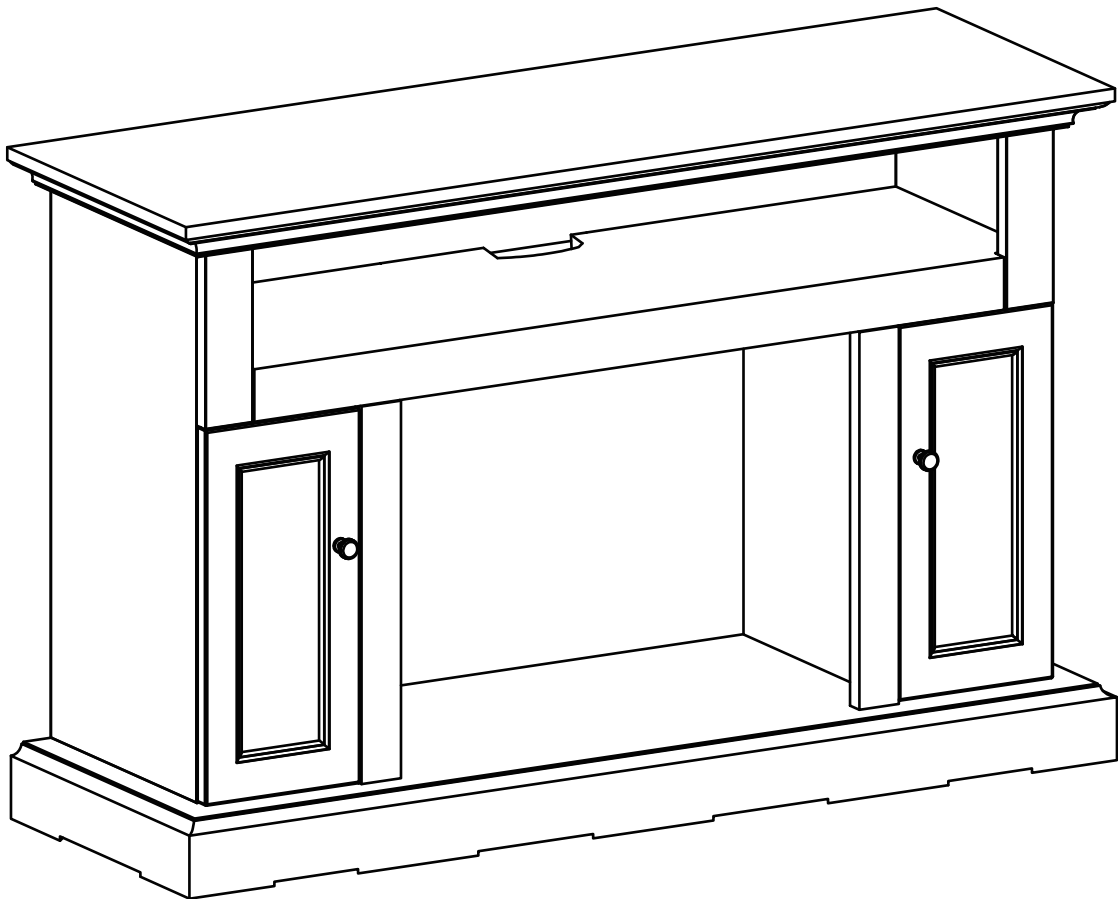


# MANTEL

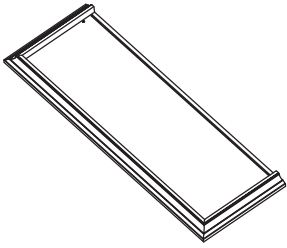
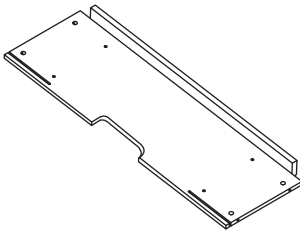
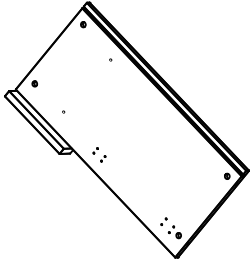
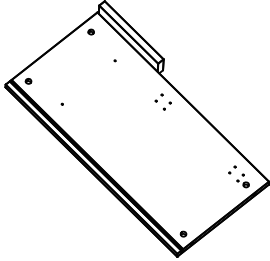
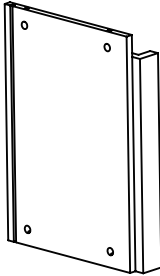
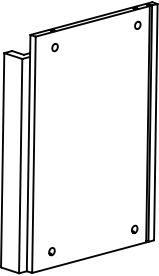
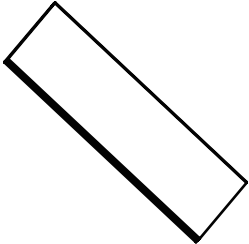
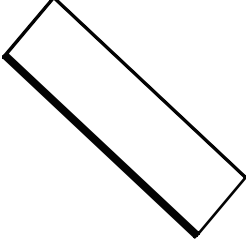
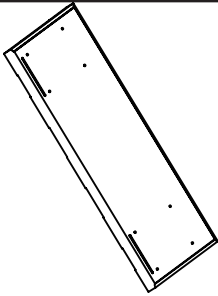
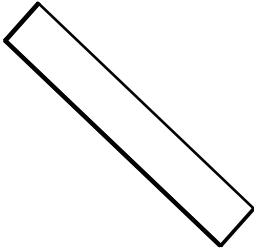
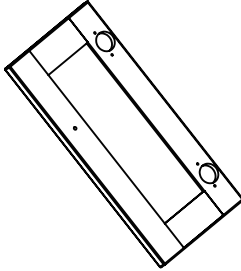
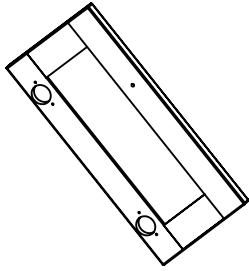
## MODEL

X5021-2CHR  
X5021-2TEK  
X5021-2BLK  
X5021-2GRY

X5021-2MAH  
X5021-2WHT  
X5021-2WAL



## PACKAGE CONTENTS

 <p><b>A</b></p>	 <p><b>B</b></p>	 <p><b>C</b></p>
 <p><b>D</b></p>	 <p><b>E</b></p>	 <p><b>F</b></p>
 <p><b>G<sub>1</sub></b></p>	 <p><b>G<sub>2</sub></b></p>	 <p><b>H</b></p>
 <p><b>I</b></p>	 <p><b>J</b></p>	 <p><b>K</b></p>

## HARDWARE CONTENTS

<p><b>AA</b></p>  <p>Bolt Qty. 20</p>	<p><b>BB</b></p>  <p>Metal Connector Qty. 20</p>	<p><b>CC</b></p>  <p>Handle Qty. 2</p>	<p><b>DD</b></p>  <p>Screw Qty. 24</p>	<p><b>EE</b></p>  <p>Cabinet Door Hinge Qty. 4</p>	<p><b>FF</b></p>  <p>Screw M5x25 Qty. 2</p>
--	---	---	---	---	--

## PACKAGE CONTENTS

---

PART	DESCRIPTION	QTY.	PART NO.
A	Top Panel	1	
B	Top Shelf	1	
C	Left Side Panel	1	
D	Right Side Panel	1	
E	Left Inner Panel	1	
F	Right Inner Panel	1	
G1	Lower Back Panel	1	
G2	Lower Back Panel	1	
H	Base	1	
I	Upper Back Panel	1	
J	Left Door	1	
K	Right Door	1	
AA	Bolt	20	
BB	Metal Connector	20	
CC	Handle	2	
DD	Screw	24	
EE	Cabinet Door Hinge	4	
FF	M5x25 screw	2	

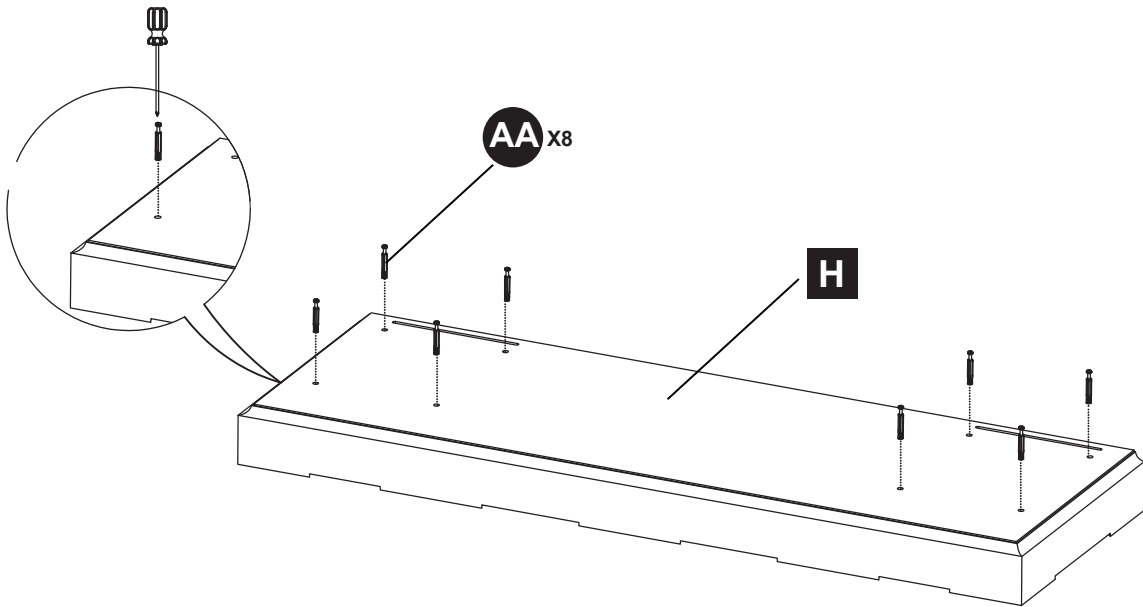
*Some parts and specifications may change without notice.*

Carefully remove all pieces from the carton and make sure that you have all parts listed (refer to parts list on page 2-3).

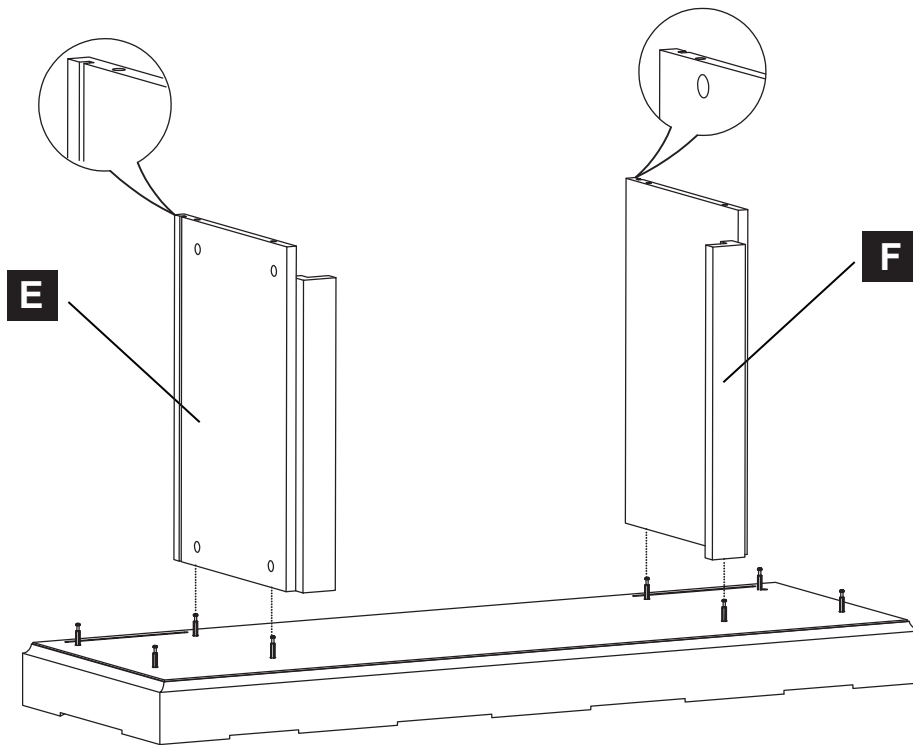
# PACKAGE STEPS

---

1.

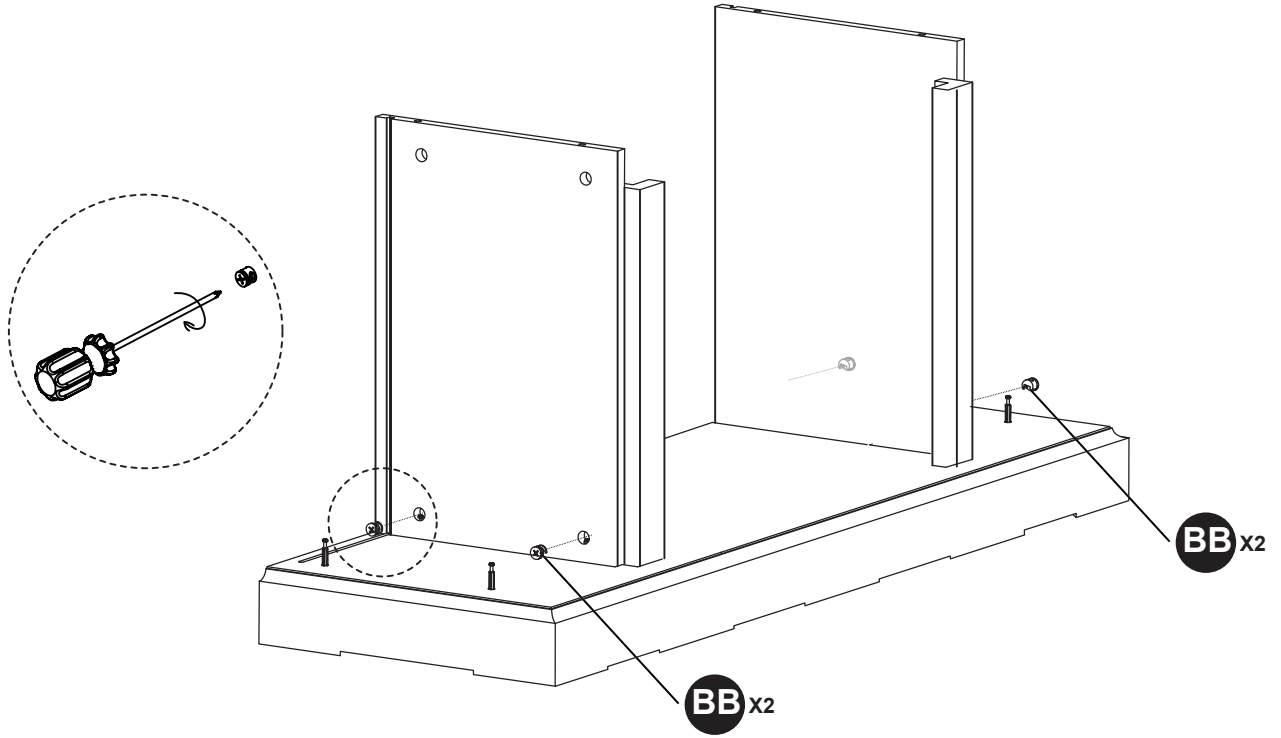


2.

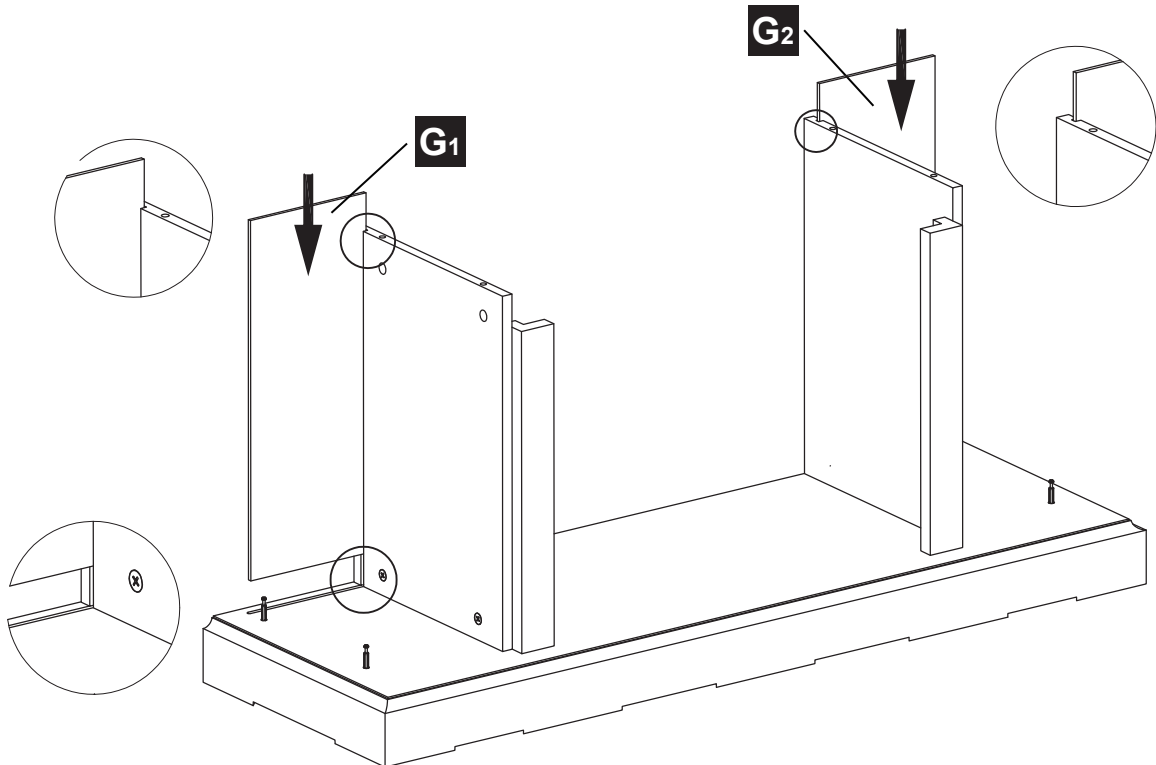


# PACKAGE STEPS

3.



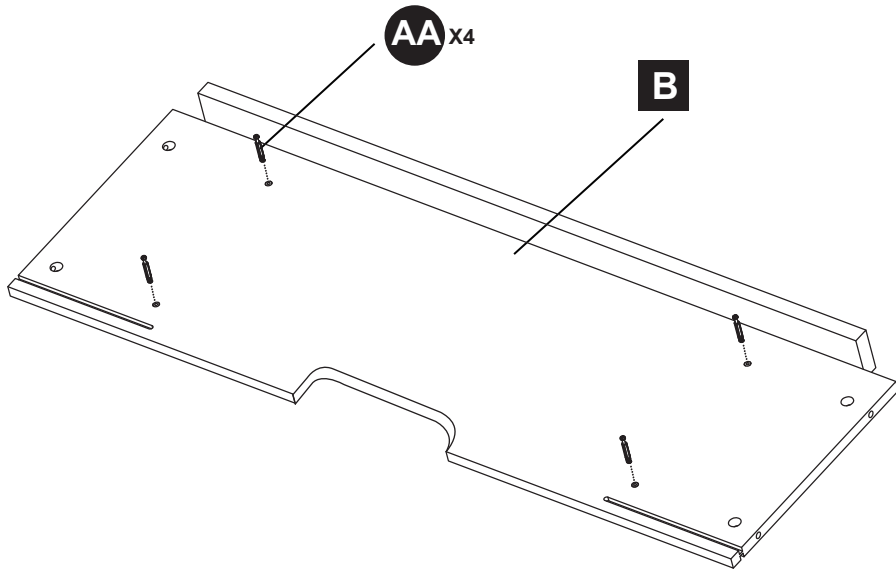
4.



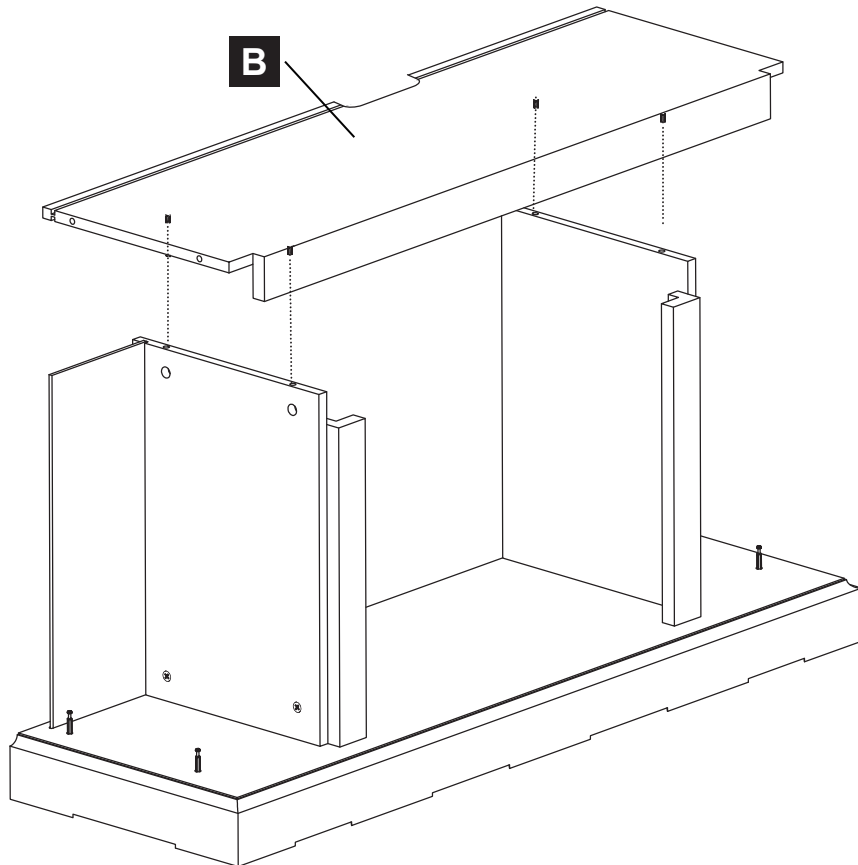
# PACKAGE STEPS

---

5.

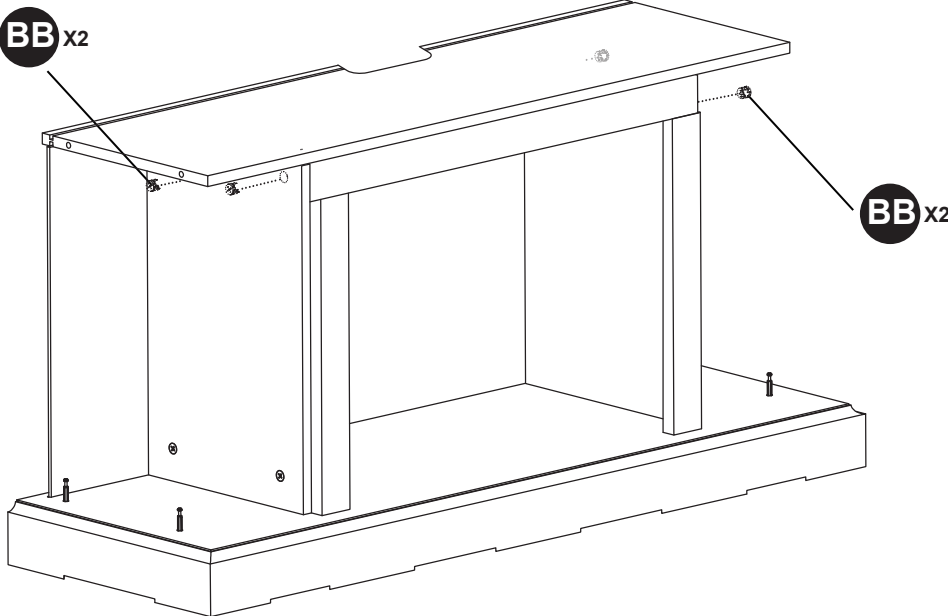


6.

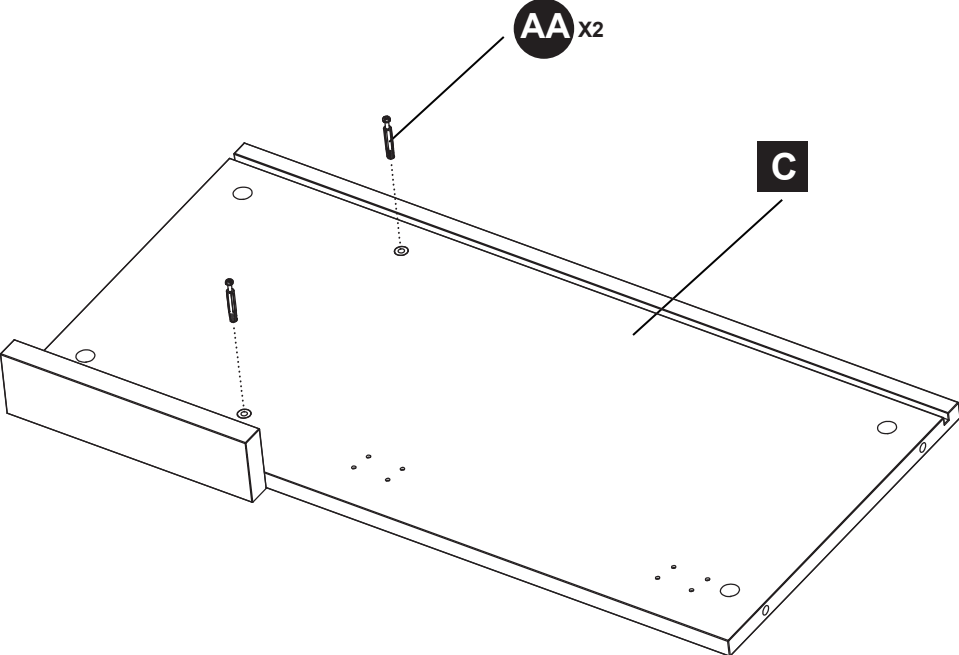


PACKAGE STEPS

7.



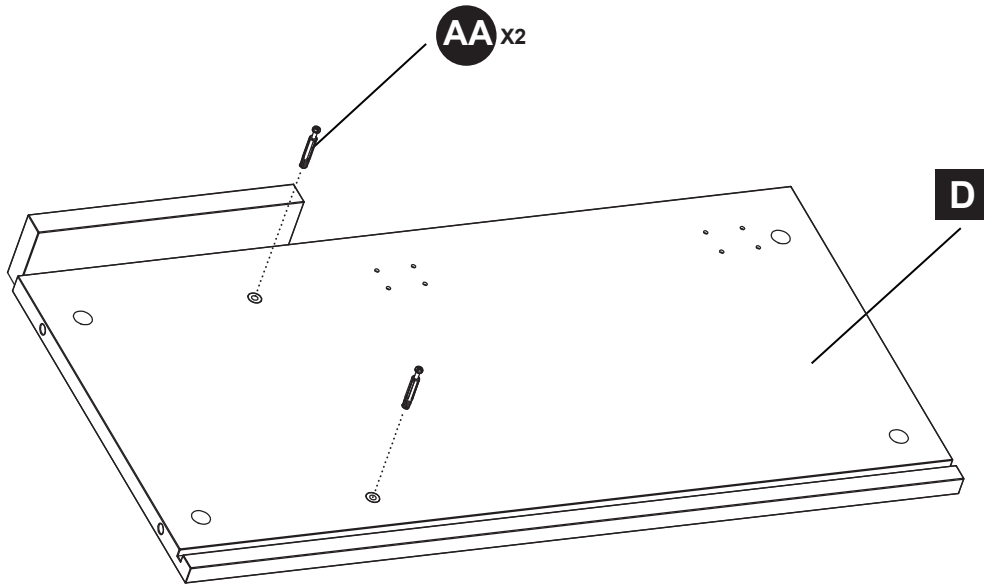
8.



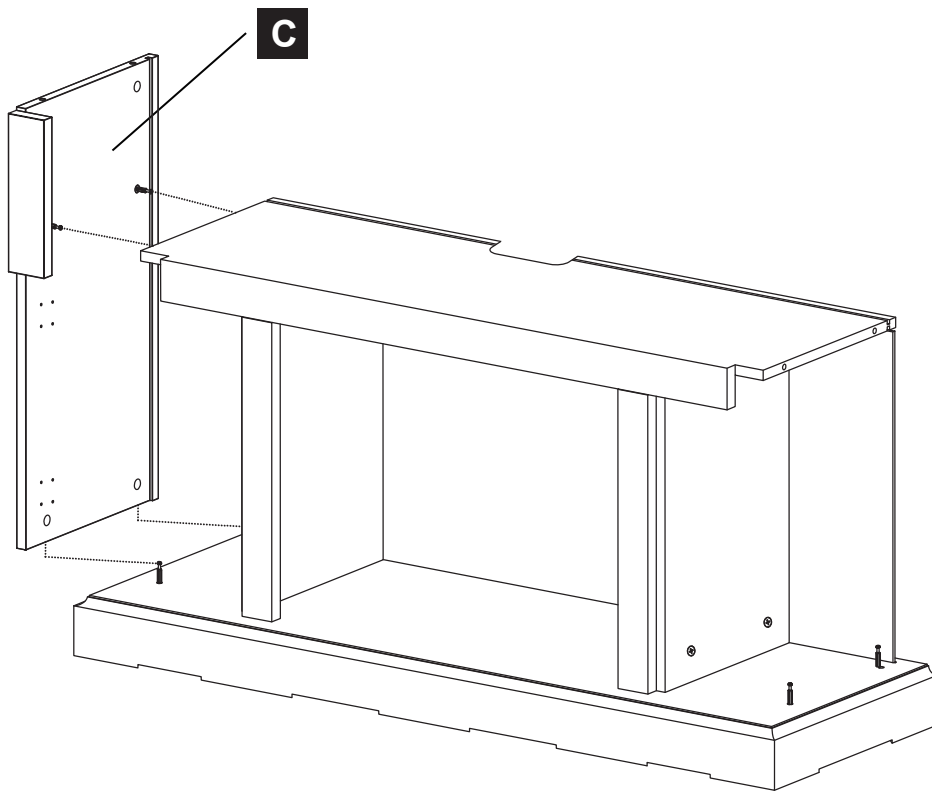
# PACKAGE STEPS

---

9.



10.

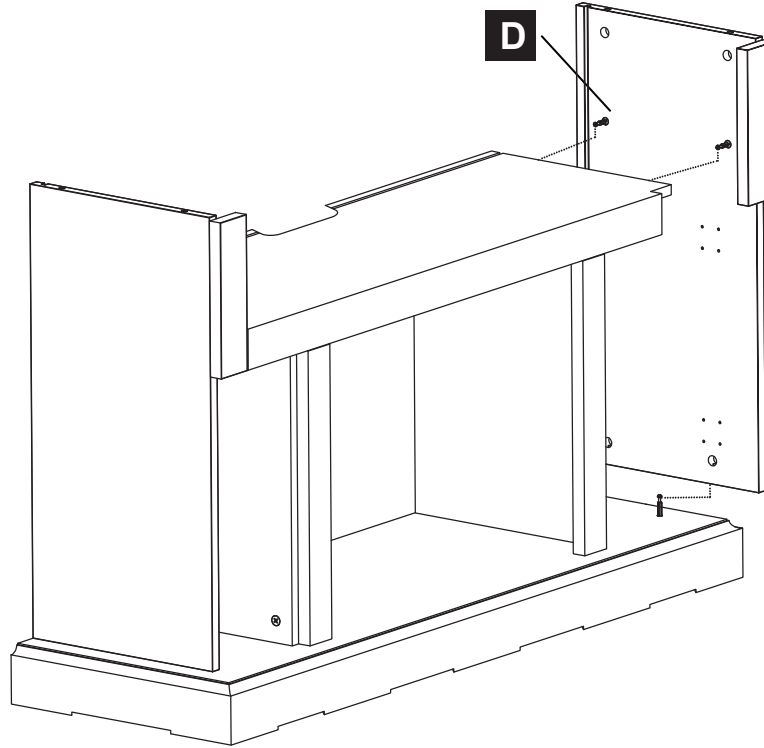




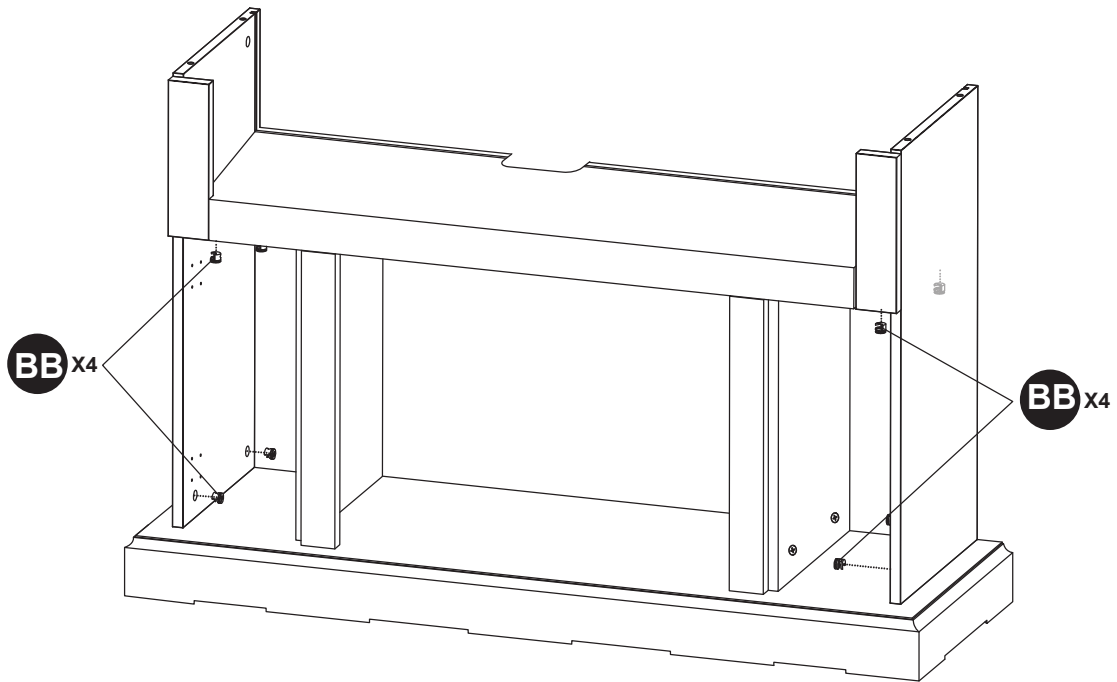
# PACKAGE STEPS

---

11.



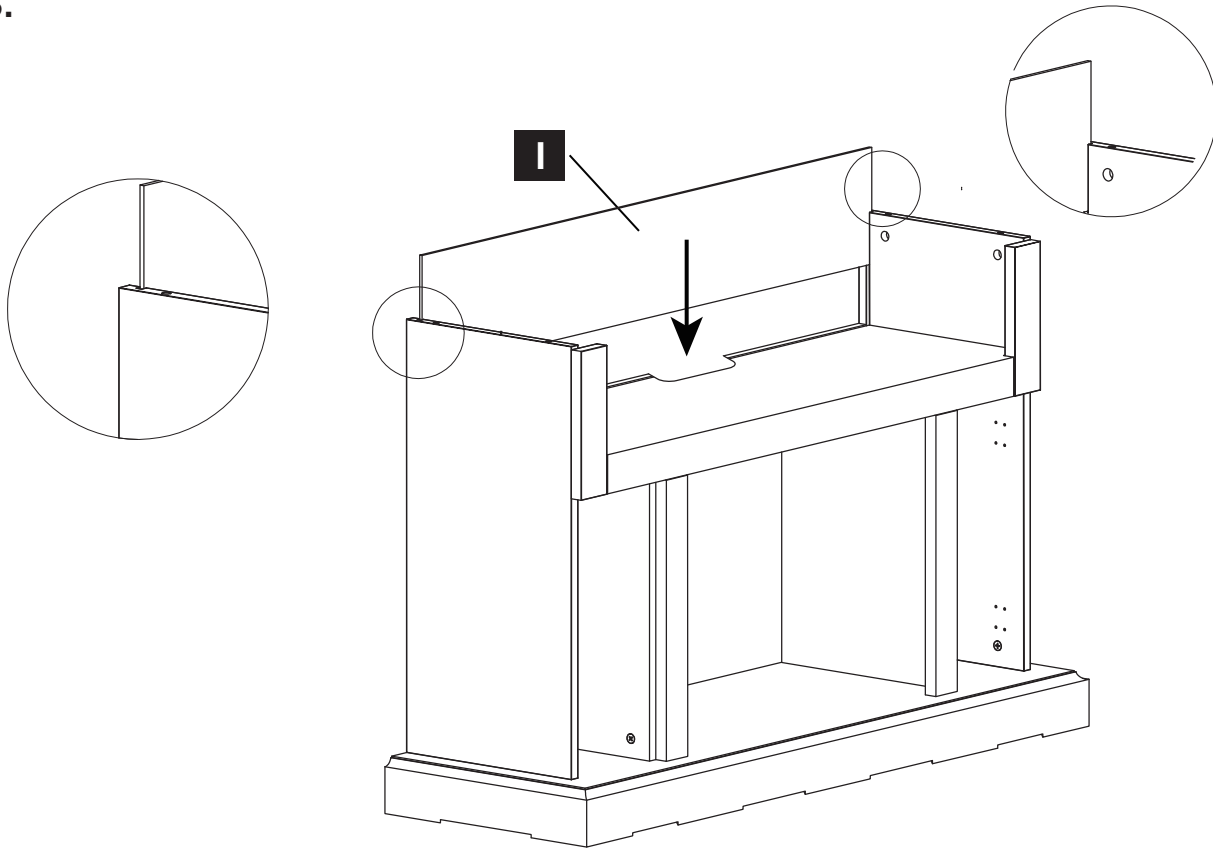
12.



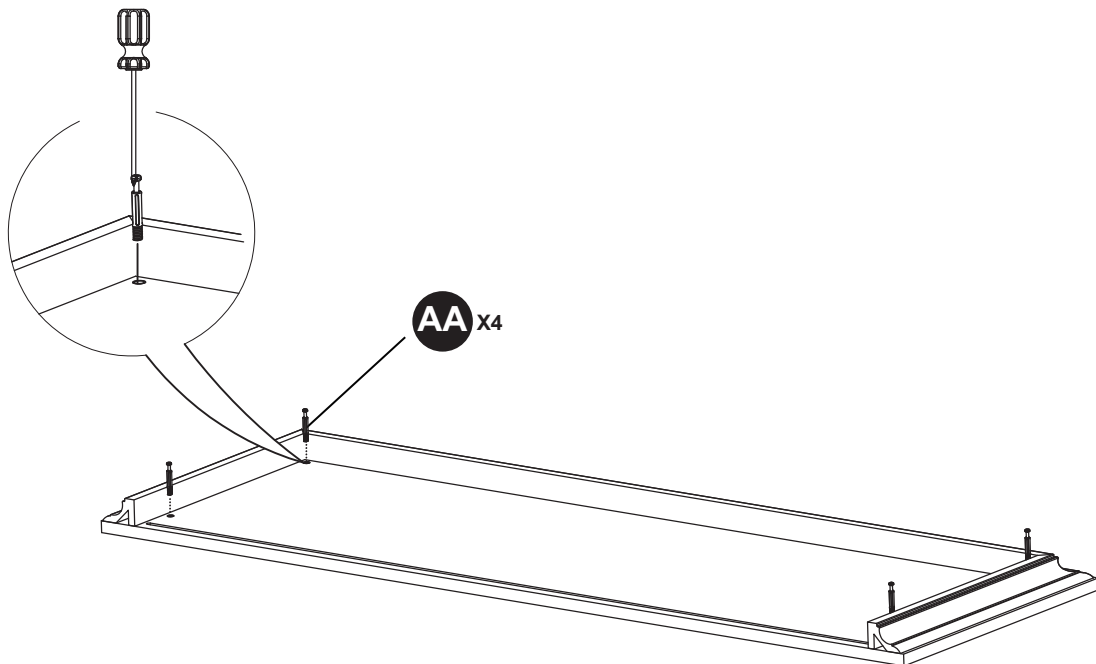
# PACKAGE STEPS

---

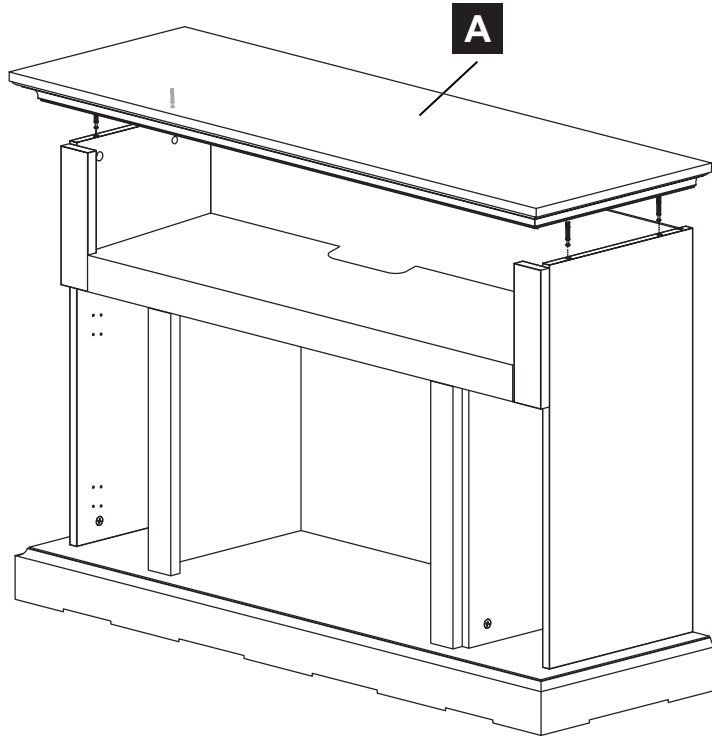
13.



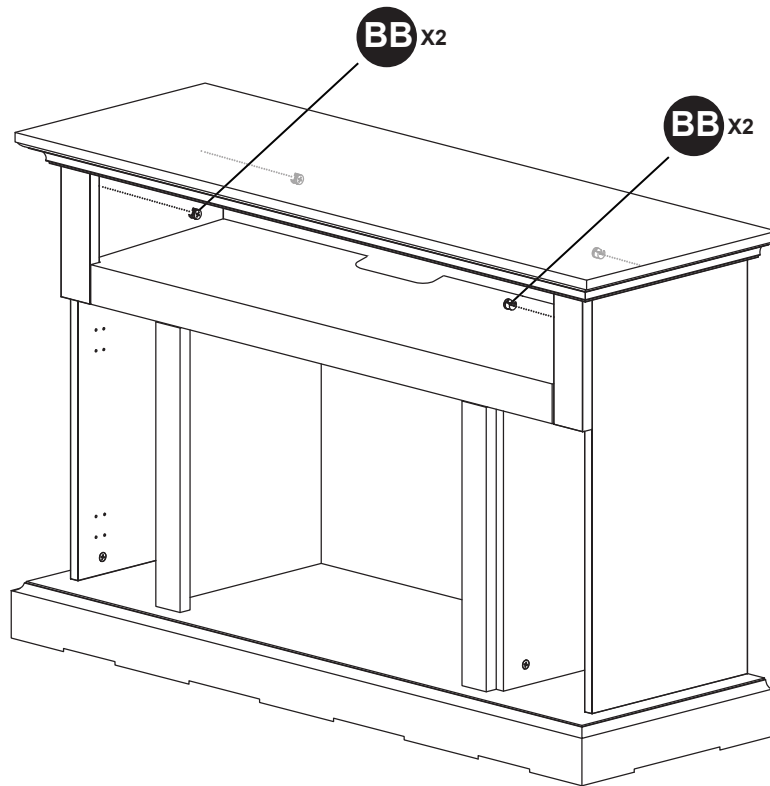
14.



15.

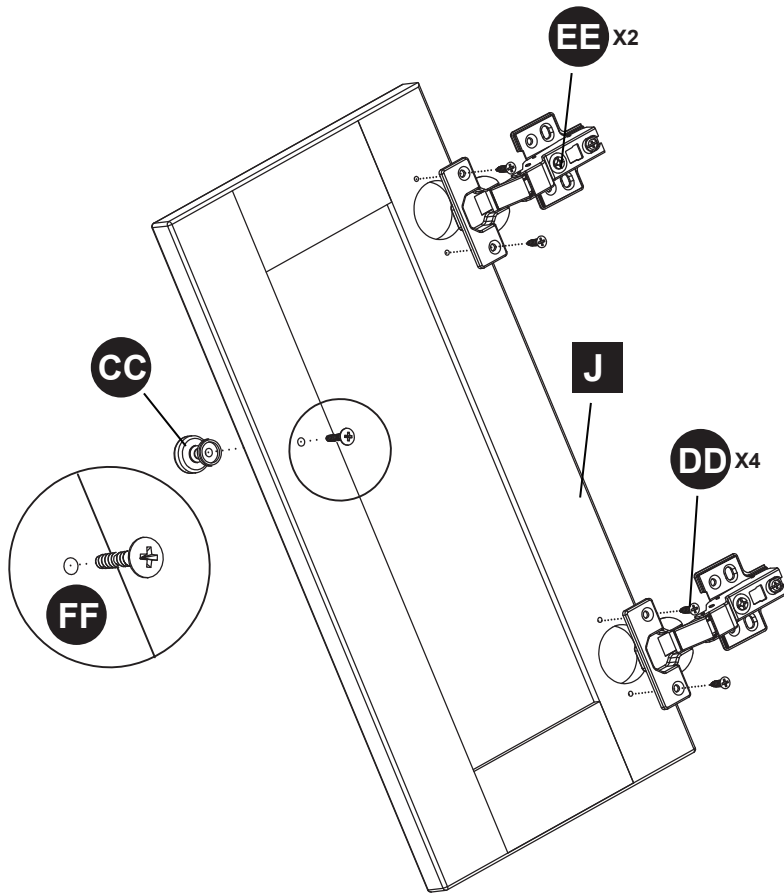


16.

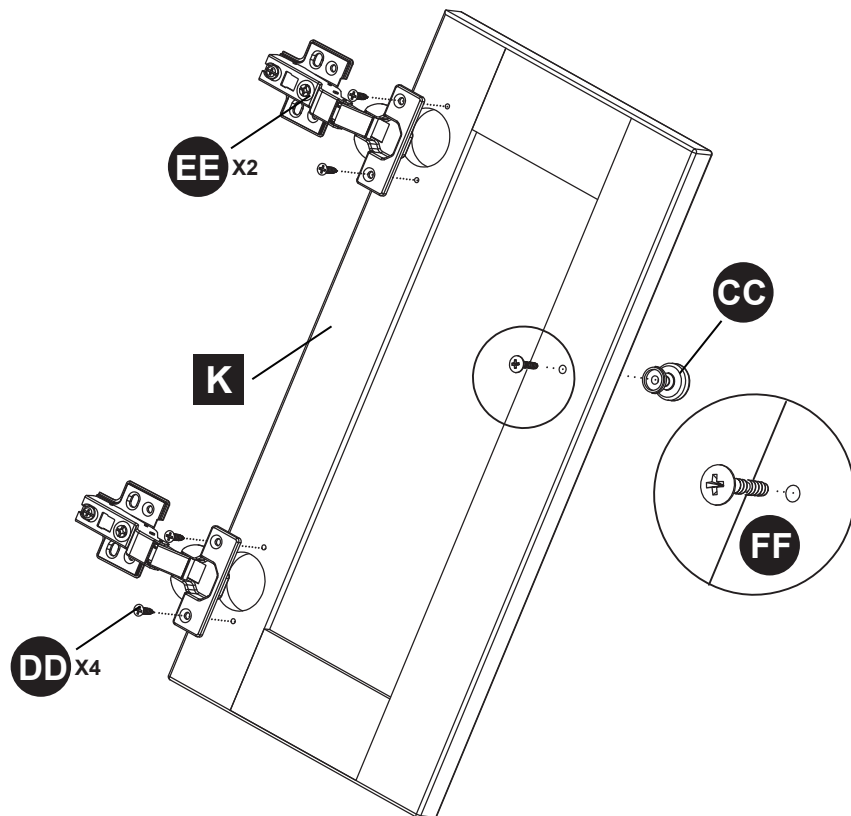


# PACKAGE STEPS

17.



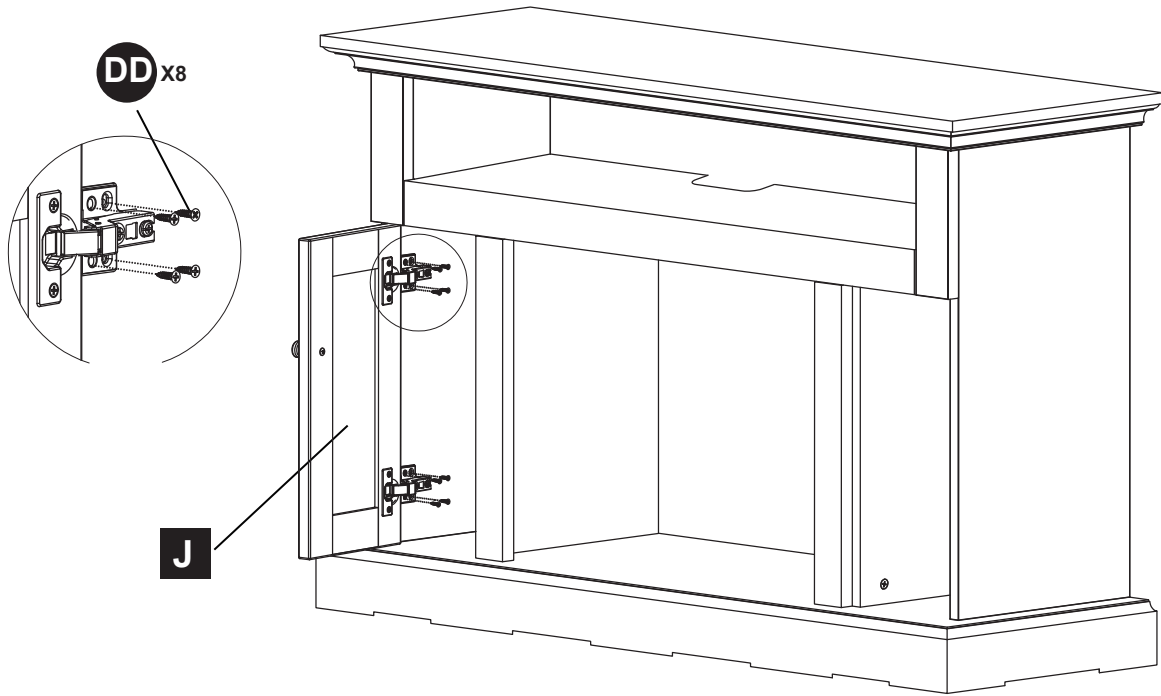
18.



**PACKAGE STEPS**

---

**19.**



**20.**

