

GEORGE FOREMAN®

THE LEAN MEAN FAT REDUCING GRILLING MACHINE™

Please Read and Save this Use and Care Book

Por favor lea este instructivo antes de usar el producto



The Next Grilleration™
ALL DIGITAL

? USA/Canada 1-800-231-9786
www.prodprotect.com/applica

Accessories/Parts (USA/Canada)
Accesorios/Partes (EE.UU./Canadá)

1-800-738-0245

Models
Modelos

- GRP99
- GRP99BLK
- GRP99SB

IMPORTANT SAFEGUARDS

When using electrical appliances, basic safety precautions should always be followed, including the following:

- Read all instructions.
- Do not touch hot surfaces. Use handles or knobs.
- To protect against electrical shock do not immerse cord, plugs or appliance (except removable plates) in water or other liquid.
- Close supervision is necessary when any appliance is used by or near children.
- Unplug from outlet when not in use and before cleaning. Allow to cool before putting on or taking off parts, and before cleaning the appliance.
- Do not operate any appliance with a damaged cord or plug, or after the appliance malfunctions or has been damaged in any manner. Return appliance to the nearest authorized service facility for examination, repair or adjustment. Or, call the appropriate toll-free number on the cover of this manual.
- The use of accessory attachments not recommended by the appliance manufacturer may cause injuries.
- Do not use outdoors.
- Do not let cord hang over edge of table or counter, or touch hot surfaces.
- Do not place on or near a hot gas or electric burner, or in a heated oven.
- Extreme caution must be used when moving an appliance containing hot oil or other hot liquids.
- Be sure removable plates are assembled and fastened properly.
- To disconnect, turn any control to OFF, then remove plug from wall outlet.
- Do not use this appliance for other than intended use.

SAVE THESE INSTRUCTIONS.

This product is for household use only.

POLARIZED PLUG (120V Models Only)

This appliance has a polarized plug (one blade is wider than the other). To reduce the risk of electric shock, this plug is intended to fit into a polarized outlet only one way. If the plug does not fit fully into the outlet, reverse the plug. If it still does not fit, contact a qualified electrician. Do not attempt to modify the plug in any way.

TAMPER-RESISTANT SCREW

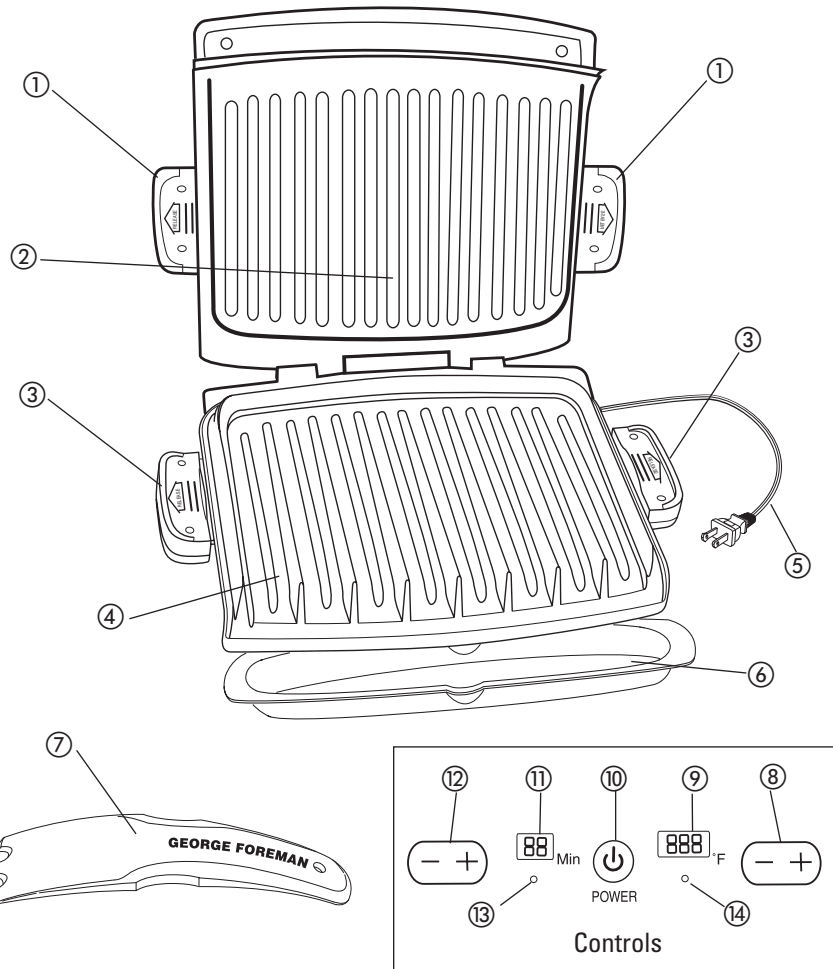
Warning: This appliance is equipped with a tamper-resistant screw to prevent removal of the outer cover. To reduce the risk of fire or electric shock, do not attempt to remove the outer cover. There are no user-serviceable parts inside. Repair should be done only by authorized service personnel.

ELECTRICAL CORD

- a) A short power-supply cord (or detachable power-supply cord) is to be provided to reduce the risk resulting from becoming entangled in or tripping over a longer cord.
- b) Longer detachable power-supply cords or extension cords are available and may be used if care is exercised in their use.
- c) If a long detachable power-supply cord or extension cord is used,
 - 1) The marked electrical rating of the detachable power-supply cord or extension cord should be at least as great as the electrical rating of the appliance,
 - 2) If the appliance is of the grounded type, the extension cord should be a grounding-type 3-wire cord, and
 - 3) The longer cord should be arranged so that it will not drape over the countertop or tabletop where it can be pulled on by children or tripped over.

Note: If the power supply cord is damaged, it should be replaced by qualified personnel. In Latin America, by an authorized service center.

Product may vary slightly from what is illustrated.



- 1. Upper grill plate release handles (both sides)
- † 2. Removable grill plate (upper) (Part # 22543U)
- 3. Lower grill plate release handles (both sides)
- † 4. Removable grill plate (lower) (Part # 22543L)
- 5. Power cord
- † 6. Drip tray (Part # 22544)
- † 7. Spatula (Part # 22545)
- 8. Temperature increase/decrease button
- 9. Temperature display
- 10. Power button
- 11. Timer display
- 12. Time up/down button
- 13. Timer light
- 14. Temperature light

Note: † indicates consumer replaceable/removable parts

How to use:

This product is for household use only.

GETTING STARTED

- Remove all packing material and any stickers.
- Remove and save literature.
- Wash removable parts as instructed in CARE AND CLEANING section of this manual.
- Wipe grill plates with a damp cloth or sponge to remove any dust. Wipe dry with a soft cloth or paper towels.
- Select location where unit is to be used, leaving enough space between back of unit and wall to allow heat to flow without damage to cabinets and walls.

ATTACH THE GRILL PLATES

1. Securely attach top and bottom plates of the appliance using the grill plate release handles on each side of the plates.
2. Place drip tray under front sloped section of the bottom plate on the grill.

Important: When attaching grill plates, be sure they are securely attached using the release handles on each side of the plates.

PREHEATING THE GRILL

1. Close cover on grill.
2. Unwind cord and plug it into standard electrical outlet. LCD display will show dashes where time and temperature will be displayed.
3. Press POWER to turn grill on; 5 minutes will appear on timer display and 300° F will appear on temperature display.

Note: Temperature display will flash until desired temperature is reached.

4. Set desired temperature by tapping ▲ repeatedly to select desired temperature. Temperature changes in 25°F increments. Temperature settings range from 300° F to 425° F.

Note: Use suggested cooking times found in GRILLING CHART on page 6.

5. When preheat countdown is complete, grill will beep 4 times.

Note: If grill reaches desired temperature before 5 minutes has elapsed, temperature display will stop flashing and grill will beep 4 times. Unless time is reset to begin cooking, your grill will continue its 5-minute countdown and beep again 4 times once 5 minutes has elapsed. Timer display will show ON as a reminder that grill is still powered on. Timer light will go out.

GRILLING

1. Using a pot holder, carefully open the preheated grill.
2. Before first use, if desired, lightly oil grill plates.

Note: Aerosol cooking spray should not be used on nonstick surface. Chemicals that allow spray to come out of can build up on surface of grill plates and reduce their efficiency.

3. Carefully place foods to be cooked on lower grilling plate. Close lid.

Note: Do not overload grill.

4. Set desired cooking time, adding 5 minutes for grill to preheat by tapping ▲. Time changes in one-minute increments (there is an audible signal each time button is pressed). Display will show time selected.

5. Time can be changed at any time in one-minute increments by tapping ▲ or ▼ repeatedly. Minimum cooking time is 1 minute; maximum is 20 minutes.

6. After selected cooking time, food should be done.

7. Using pot holder or oven mitts carefully open lid.

8. Remove cooked food using plastic spatula provided.

Note: Always use heatproof plastic, nylon or wood utensils to avoid scratching nonstick surface of grill plates. Never use metal skewers, tongs, forks or knives.

9. When finished cooking, press POWER and unplug grill.

Caution: To avoid sparks at outlet while disconnecting plug, make sure power is off before disconnecting plug from outlet.

Important: Heating elements will continue to be ON until power button is pressed or appliance is unplugged.

10. Allow the drip tray to cool before removing it from under the grill. Wash and dry the drip tray after each use.

Caution: Do not remove grill plates while appliance is hot. Always allow them to cool to room temperature before removing or cleaning.

SUGGESTED GRILLING CHART FOR MEATS, POULTRY AND FISH

The following are meant to be used as a guideline only. Times reflect a full grill of food. Cooking time will depend upon thickness and cut being used. Use a cooking thermometer as a test for doneness. If food needs longer cooking, check periodically to avoid overcooking food.

When cooking the following items, we recommend setting your grill to 375°F (190°C):			
	Medium Rare 145°F (62°C)*	Medium 160°F (71°C)*	Well 170°F (76°C)*
Salmon Filet, 1" thick, 4 oz each	7-8 min.	9-10 min.	
Salmon Steak, 1" thick, 10 oz each	8-9 min.	11-12 min.	
Sword Fish, 1" thick, 6 oz each	8-9 min.	10-11 min.	
Tuna Steak, 1" thick, 6 oz each	6-7 min.	8-9 min.	
White Fish, ½" thick, 6 oz each	2-3 min.	4-5 min.	
Turkey Burger, ¾" thick, 4 oz each			8-10 min.
Turkey Burger, 1" thick, 8 oz each			11-13 min.
Frozen Turkey Burgers, ¾" thick, 4 oz each			11-13 min.
Frozen Turkey Burgers, 1" thick, 8 oz each			14-16 min.
Sea Scallops, 1" thick, 1 oz each	3-4 min.	4-5 min.	
Shrimp, Split Shell, med. size, ½ lb.		2-3 min.	
When cooking the following items, we recommend setting your grill to 400°F (200°C):			
Center Cut Pork Chops, ½" thick, 6 oz each		8-9 min.	10-11 min.
Pork Tenderloin, ½" thick, 2 oz each		3 min.	5-6 min.
Hamburger, ¾" thick, 4 oz each		7-8 min.	9-10 min.
Hamburger, 1" thick, 8 oz each		9-10 min.	11-12 min.
Frozen Hamburger, ¾" thick, 4 oz each		9-10 min.	11-12 min.
Frozen Hamburger, 1" thick, 8 oz each		15-16 min.	17-18 min.
Chicken Breast (boneless/skinless) 1½" thick, 6-8 oz each			9-10 min.
Frozen Chicken Breast (boneless/skinless) 1½" thick, 6-8 oz each			12-13 min.
Link Sausage		4-5 min.	5-6 min.
Sliced Sausage (½" thick)		4-5 min.	5-6 min.
Brats		5-6 min.	6-7 min.
Hot Dogs			5-6 min.
Ham Steak, ¾" thick, 4 oz each		4-5 min.	5-6 min.

Please note: To be sure your food is fully cooked the USDA recommends the following guidelines. Use a meat thermometer to test for doneness by inserting the meat thermometer into the center of the food being cooked and make sure the thermometer is not touching the bone.

FOOD TO BE COOKED	MEDIUM		WELL DONE OR FULLY COOKED	
Chicken Breast			170°F	77°C
Chicken Thigh			180°F	82°C
Beef / Lamb/Veal	160°F	71°F	170°F	77°C
Pork			160°F	71°F
Reheated cooked meats and poultry			165°F	

GRILLING TIPS

- To prevent heat loss and promote even cooking, do not open the grill cover frequently while cooking.
- Do not overfill grill.
- When first cooking a particular food, check for doneness several minutes before suggested time; if necessary, adjust timer using control button.
- If cooking more than one piece of food, try to have them similar in size and thickness.
- Remember that since grill is cooking from both sides, cooking time will typically be shorter than expected. Watch carefully to avoid overcooking.
- For added flavor, add dry seasonings before grilling or marinate foods before cooking.

CARE AND CLEANING

CLEANING

Caution: To avoid accidental burns, allow grill to cool thoroughly before cleaning.

1. Before cleaning, unplug grill from wall outlet and allow to cool.
2. Place drip tray under front of grill. Use plastic spatula to scrape off any excess fat and food particles left on the grill plates; runoff will drip into the drip tray. Wipe plates dry with a paper towel or sponge to avoid grease dripping onto your counter when plates are removed.
3. Remove plates as instructed in HOW TO USE. To clean grill plates, wash in warm, soapy water; dry thoroughly with a paper towel.
4. Empty drip tray and wash in warm, soapy water; dry thoroughly with a paper towel.
5. Reinstall grill plates, making sure they are securely attached to grill body.

Note: Removable grill plates are also dishwasher-safe. If washing grill plates in a dishwasher, wipe uncoated side with a dry towel to prevent discoloration. Dishwasher detergent may cause oxidation on uncoated side of grill plate. This is not harmful and can be wiped off with a damp towel.

6. To remove stubborn buildup, use a nylon or nonmetallic scrubbing pad to clean the grill plates.

Important: Do not use metallic scrubbing pads, steel wool or any abrasive cleaners to clean any part of your grill; use only nylon or nonmetallic scrubbing pads.

7. To clean the grill cover, wipe with a warm, wet sponge and dry with a soft, dry cloth.

Important: Do not immerse body of grill in water or any other liquid.

8. Any servicing requiring disassembly other than the above cleaning must be preformed by a qualified electrician.

Caution: Make sure to hold grill cover by the handle while cleaning to prevent accidental closing and injury.

STORAGE

- Always make sure grill is clean and dry before storing.

TROUBLESHOOTING

PROBLEM	POSSIBLE CAUSE	SOLUTION
Finish on grill plates has cut marks.	Metal utensils have been used.	Always use heatproof plastic, nylon or wood utensils to avoid scratching nonstick surface of grill plates. Never use metal skewers, tongs, forks or knives.
Grill marks on food are very light.	Grill was not fully preheated before use.	Always preheat grill at least 5 minutes before cooking any foods.
There is food buildup on grill plates.	Grill not properly cleaned after use.	Use nylon scrubbing pad and hot, soapy water to clean grill plates. Do not use steel wool scrubbing pads or abrasive cleaners to clean grill.
Food is dry and burnt.	Food is overcooked.	Because grill is cooking from both sides, food is cooked much faster than in a skillet or under a broiler. Use cooking chart as a guide and check food at lowest time stated on chart.
Grill does not turn on.	Grill is not plugged in.	Check to be sure appliance is plugged into working outlet and power button is in the ON position.

INSTRUCCIONES IMPORTANTES DE SEGURIDAD

Cuando se usan aparatos eléctricos, siempre se deben respetar las siguientes medidas básicas de seguridad:

- Por favor lea todas las instrucciones.
- No toque las superficies calientes. Use las asas o las perillas.
- A fin de protegerse contra un choque eléctrico y lesiones a las personas, no sumerja el cable, los enchufes ni el aparato (con excepción de las placas desmontables) en agua ni en ningún otro líquido.
- Todo aparato eléctrico usado en la presencia de los niños o por ellos mismos requiere la supervisión de un adulto.
- Desconecte el aparato del tomacorriente cuando no esté en uso y antes de limpiarlo. Espere que el aparato se enfríe antes de instalarle o retirarle piezas y antes de limpiarlo.
- No use ningún aparato eléctrico que tenga el cable o el enchufe averiado, que presente un problema de funcionamiento o que esté dañado. Acuda a un centro de servicio autorizado para que lo examinen, reparen o ajusten o llame gratis al número correspondiente en la cubierta de este manual.
- El uso de accesorios no recomendados por el fabricante del aparato puede ocasionar incendio, choque eléctrico o lesiones a las personas.
- No use este aparato a la intemperie.
- No permita que el cable cuelgue del borde de la mesa o del mostrador ni que entre en contacto con superficies calientes.
- No coloque el aparato sobre ni cerca de las hornillas de gas o eléctricas ni adentro de un horno caliente.
- Tome mucha precaución al mover de un lugar a otro un aparato que contenga aceite u otros líquidos calientes.
- Asegúrese de que las placas desmontables estén colocadas y ajustadas correctamente.
- Para desconectar, ajuste todo control a la posición de apagado (OFF) y después, retire el enchufe del tomacorriente.
- Este aparato se debe usar únicamente con el fin previsto.

CONSERVE ESTAS INSTRUCCIONES.

Este aparato eléctrico es para uso doméstico únicamente.

ENCHUFE POLARIZADO (Solamente para los modelos de 120V)

Este aparato cuenta con un enchufe polarizado (un contacto es más ancho que el otro). A fin de reducir el riesgo de un choque eléctrico, este enchufe encaja en una toma de corriente polarizada en un solo sentido. Si el enchufe no entra en la toma de corriente, inviértalo y si aun así no encaja, consulte con un electricista. Por favor no trate de alterar esta medida de seguridad.

TORNILLO DE SEGURIDAD

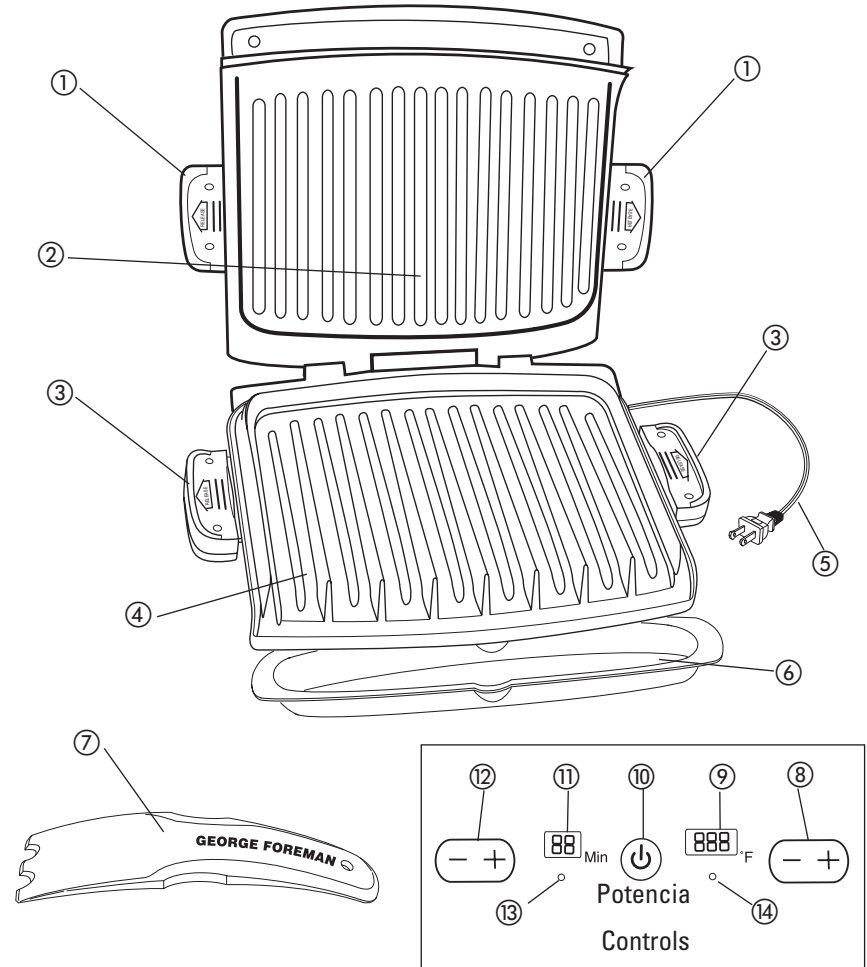
Advertencia: Este aparato cuenta con un tornillo de seguridad para evitar la remoción de la cubierta exterior del mismo. A fin de reducir el riesgo de incendio o de choque eléctrico, por favor no trate de remover la cubierta exterior. Este producto no contiene piezas reparables por el consumidor. Toda reparación se debe llevar a cabo únicamente por personal de servicio autorizado.

CABLE ELÉCTRICO

- El producto se debe proporcionar con un cable eléctrico corto (o uno separable), a fin de reducir el riesgo de tropezar o de enredarse en un cable más largo.
- Existen cables eléctricos más largos y separables o cables de extensión que uno puede utilizar si toma el cuidado debido.
- Si se utiliza un cable separable o de extensión,
 - El régimen nominal del cable separable o del cable de extensión debe ser, como mínimo, igual al del régimen nominal del aparato.
 - Si el aparato es de conexión a tierra, el cable de extensión debe ser un cable de tres alambres de conexión a tierra.
 - Uno debe acomodar el cable más largo de manera que no cuelgue del mostrador o de la mesa, para evitar que un niño tire del mismo o que alguien se tropiece.

Nota: Si el cordón de alimentación es dañado, en América Latina debe sustituirse por personal calificado o por el centro de servicio autorizado.

El producto puede variar ligeramente del que aparece ilustrado aquí.



- Asa para separar la placa superior de la parrilla (ambos lados)
- † Placa desmontable de la parrilla (superior) (Pieza N° 22543U)
- Asa para separar la placa inferior de la parrilla (ambos lados)
- † Placa desmontable de la parrilla (inferior) (Pieza N° 22543L)
- Cable de alimentación
- † 6. Bandeja de goteo (Pieza N° 22544)
- † 7. Espátula (Pieza N° 22545)
- Botón de aumento y reducción de temperatura
- Pantalla de temperatura
- Botón de encendido (POWER)
- Pantalla de cronómetro
- Botón de aumento y reducción del tiempo
- Luz del reloj automático
- Luz de temperatura

Nota: † indica piezas desmontables/reemplazables por el consumidor

Como usar

Este producto es para uso doméstico solamente.

PRIMEROS PASOS

- Elimine todo el material de embalaje y las etiquetas.
- Retire y conserve el material de lectura.
- Lave la bandeja de goteo según las instrucciones de CUIDADO y LIMPIEZA de este manual.
- Desempolva las placas de la parrilla con un paño humedecido y séquelas bien con un paño suave o con toallas de papel.
- Seleccione el lugar donde se utilizará este aparato dejando el espacio suficiente entre la parte de atrás del aparato y la pared para permitir que el calor fluya sin dañar armarios y paredes.

COMO INSTALAR LAS PLACAS DE LA PARRILLA

1. Usando las asas, ubicadas a cada lado de las placas de la parrilla, coloque la placa superior y la inferior y asegúrelas al electrodoméstico.
2. Coloque la bandeja de goteo debajo de la sección inclinada en la parte delantera de la placa inferior de la parrilla.

Importante: Al instalar las placas de la parrilla, use las asas a cada lado de las mismas para cerciorarse de que las placas están seguras.

PRECALENTAMIENTO DE LA PARRILLA

1. Cierre la tapa de la parrilla.
2. Desenrolle el cable y conéctelo a un tomacorriente estándar. La pantalla digital mostrará guiones en lugar del tiempo o la temperatura.
3. Presione el botón de encendido/apagado (Power) para encender la parrilla; en la pantalla del reloj automático aparecerán 5 minutos y en la de temperatura, 300° F.

Nota: La pantalla indicadora de temperatura se encenderá de forma intermitente hasta que la parrilla alcance la temperatura deseada.

4. Establezca la temperatura deseada tocando ▲ reiteradamente. La temperatura cambia en incrementos de 25°. La temperatura se puede establecer entre 300° F y 425° F.

Nota: Utilice los tiempos de cocción sugeridos en la TABLA PARA ASAR en la página 15.

5. Cuando el conteo regresivo de precalentamiento termine, la parrilla emitirá un sonido cuatro veces.

Nota: Si la parrilla alcanza la temperatura deseada, antes de que pasen los cinco minutos, la pantalla de temperatura dejará de encenderse intermitentemente y la parrilla emitirá un sonido cuatro veces. A no ser que usted reajuste el reloj automático, el conteo regresivo de 5 minutos continuará y la parrilla volverá a

emitir el sonido cuatro veces, una vez que termine. Como recordatorio, la pantalla digital mostrará que la parrilla aun está encendida (ON). Luego, la luz del reloj automático se apagará.

ALIMENTOS A LA PARRILLA

1. Con un agarrador de cocina, abra cuidadosamente la parrilla precalentada.
2. Antes del primer uso, aceite ligeramente las placas de la parrilla, si lo desea.

Nota: Nunca use rociadores de cocinar sobre las superficies antiadherentes de las placas. Los químicos de los rociadores, se acumulan en las superficies y reducen la eficiencia de las placas.

3. Coloque cuidadosamente los alimentos que desea cocinar en la placa inferior de la parrilla precalentada. Cierre la tapa.

Nota: No sobrecargue la placa de cocción.

4. Seleccione el tiempo de cocción deseado y agregue 5 minutos tocando▲. El tiempo cambia en incrementos de un minuto (se oirá una señal cada vez que se presione el botón de tiempo). En la pantalla se indicará el tiempo seleccionado.
 5. El tiempo se puede modificar en cualquier momento en incrementos de un minuto tocando ▲ o ▼ reiteradamente. El tiempo mínimo de cocción es de 1 minuto; el máximo es de 20 minutos.
 6. Una vez transcurrido el tiempo de cocción seleccionado, los alimentos deberían estar listos.
 7. Abra la tapa cuidadosamente con la ayuda de agarraderas o manoplas para hornear.
 8. Retire los alimentos con la espátula de plástico proporcionada.
- Nota:** Utilice siempre utensilios de plástico, nailon o madera que sean resistentes al calor para no rayar la superficie antiadherente de las placas. Nunca utilice pinchos de metal, pinzas, tenedores o cuchillos.
9. Al terminar de cocinar, presione el interruptor de encendido/apagado (Power) y desconecte la parrilla.

Precaución: Asegúrese de que la parrilla esté apagada antes de desconectarla del tomacorriente, para evitar que se produzcan chispas al desenchufarla.

Importante: Los elementos de calentamiento continuarán encendidos hasta presionar el interruptor de encendido/apagado (Power) o hasta desenchufar el electrodoméstico.

10. Deje que la bandeja de goteo se enfríe antes de retirarla de la parte de abajo de la parrilla. Lave y seque la bandeja de goteo después de cada uso.

Precaución: No retire las placas de la parrilla mientras el electrodoméstico está caliente. Siempre deje que se enfríen a temperatura ambiente antes de retirarlas o limpiarlas.

TABLA DE SUGERENCIAS PARA ASAR CARNES, AVES Y PESCADOS A LA PARRILLA

Los siguientes valores se deben usar únicamente como guía. Los tiempos sugeridos corresponden a la capacidad completa de la parrilla. El tiempo de cocción depende del grosor y del corte utilizados. Use un termómetro de cocción para comprobar si el alimento está listo. Si el alimento necesita una cocción más prolongada, verifique periódicamente para evitar cocinarlo en exceso.

Recomendamos programar su parilla de asar a 190°C (375°F) para cocinar los siguientes productos:			
	Medio crudo 62°C (145°F)*	Término medio 71°C (160°F)*	Bien cocido 76°C (170°F)*
Filete de salmón (2,5 cm grueso, 115 g cada uno)	7-8 min.	9-10 min.	
Filete de salmón (2,5 cm grueso, 285 g cada uno)	8-9 min.	11-12 min.	
Peces espadas (2,5 cm grueso, 170 g cada uno)	8-9 min.	10-11 min.	
Filete de atún (2,5 cm grueso, 170 g cada uno)	6-7 min.	8-9 min.	
Pescado blanco (1,3 cm grueso, 170 g cada uno)	2-3 min.	4-5 min.	
Hamburguesa de pavo (2 cm grueso, 115 g cada una)			8-10 min.
Hamburguesa de pavo (2,5 cm grueso, 225 g cada una)			11-13 min.
Hamburguesa de pavo congelada (2 cm grueso, 115 g cada una)			11-13 min.
Hamburguesa de pavo congelada (2,5 cm grueso, 225 g cada una)			14-16 min.
Zamburiñas (2,5 cm grueso, 30 g cada una)	3-4 min.	4-5 min.	
Camarones, partidos con cáscara, medianos (225 g)		2-3 min.	
Recomendamos programar su parilla de asar a 200°C (400°F) para cocinar los siguientes productos:			
Chuleta de lomo de cerdo (1,3 cm grueso, 170 g cada una)		8-9 min.	10-11 min.
Filete de cerdo (1,3 cm grueso, 60 g cada uno)		3 min.	5-6 min.
Hamburguesa (2 cm grueso, 115 g cada una)		7-8 min.	9-10 min.
Hamburguesa (2,5 cm grueso, 225 g cada una)		9-10 min.	11-12 min.
Hamburguesa congelada (2 cm grueso, 115 g cada una)		9-10 min.	11-12 min.
Hamburguesa congelada (2,5 cm grueso, 225 g cada una)		15-16 min.	17-18 min.

Tenga en cuenta: Para asegurarse de que su alimento esté completamente cocinado, el Departamento de Agricultura de los Estados Unidos (United States Department of Agriculture, USDA) recomienda las siguientes pautas. Para comprobar el término de cocción de las carnes, inserte un termómetro para carnes en el centro del alimento que esté cocinando y asegúrese de que el termómetro no toque el hueso.

ALIMENTO PARA COCINAR	TÉRMINO MEDIO		BIEN COCIDO O TOTALMENTE COCIDO	
Pechuga de pollo			170 °F	77 °C
Muslo de pollo			180 °F	82 °C
Carne de res/Cordero/Ternera	160 °F	71 °C	170 °F	77 °C
Puerco			160 °F	71 °C
Carne de res y ave cocidas recalentadas			165 °F	74 °C

CONSEJOS PARA ASAR A LA PLANCHA

- Para impedir la pérdida de calor y generar una cocción pareja, no abra la tapa de la parrilla frecuentemente mientras está cocinando.
- No llene la parrilla en exceso.
- Al cocinar por primera vez un alimento específico, compruebe si está listo varios minutos antes del tiempo sugerido; si es necesario, ajuste el reloj automático con el botón de control.
- Si cocina más de un trozo de alimento, intente que tengan un tamaño y grosor similares.
- Recuerde que, dado que la parrilla cocina de ambos lados, el tiempo de cocción será típicamente más corto que lo esperado. Preste atención para evitar cocinar en exceso.
- Para obtener un sabor más intenso, agregue condimentos secos antes de asar o adobe los alimentos antes de cocinar.

Cuidado y limpieza

LIMPIEZA

Precaución: Para evitar quemaduras accidentales, espere hasta que la parrilla se enfríe completamente antes de limpiarla.

1. Antes de limpiar, desenchufe la parrilla del tomacorriente y deje que se enfríe.

Precaución: Asegúrese de que la parrilla esté apagada antes de desconectarla del tomacorriente, para evitar que se produzcan chispas al desenchufarla.

Importante: Los elementos de calentamiento continuarán encendidos hasta presionar el interruptor de encendido/apagado (Power) o hasta desenchufar el electrodoméstico.

2. Coloque una bandeja de goteo debajo del frente de la parrilla. Use la espátula de plástico para raspar el exceso de grasa y las partículas de alimentos que queden en las placas de la parrilla; el residuo líquido caerá en la bandeja de goteo. Seque las placas con una toalla de papel o esponja para evitar que la grasa gotee sobre la superficie de trabajo al retirar las placas.

3. Retire las placas según se indica en la sección COMO USAR. Para limpiar las placas de la parrilla, lávelas con agua templada en jabón; séquela bien con una toalla de papel.

4. Vacíe la bandeja de goteo y lávela con agua templada en jabón; séquela bien con una toalla de papel.

5. Vuelva a instalar las placas de la parrilla, y asegúrese de que estén firmemente sujetas a la estructura de la parrilla.

Nota: Las placas desmontables de la parrilla se pueden lavar en un lavavajillas. Si lava las placas de la parrilla en un lavavajillas, limpie el lado no recubierto con una toalla de papel para evitar que se decolore. El detergente para lavavajillas puede provocar oxidación del lado de la placa de la parrilla que no está protegida. Esto no es dañino y puede quitarse con una toalla húmeda.

6. Para eliminar los residuos difíciles, use una esponjilla de nailon o no metálica para limpiar las placas de la parrilla.

Importante: No use esponjillas metálicas, lana de acero, ni limpiadores abrasivos para limpiar ninguna parte de la parrilla; use únicamente esponjillas de nailon o no metálicas.

7. Para limpiar la tapa de la parrilla, limpie con una esponja húmeda templada y seque con un trapo seco suave.

Importante: No sumerja la estructura de la parrilla en agua ni en ningún otro líquido.

8. Cualquier servicio técnico que requiera desarmar la parrilla, además de la limpieza mencionada, debe ser realizado por un electricista calificado.

Precaución: Asegúrese de sujetar la tapa de la parrilla por el asa al limpiarla para evitar que se cierre accidentalmente y provoque lesiones.

ALMACENAMIENTO

• Siempre asegúrese de que la parrilla esté limpia y seca antes de almacenarla.

DETECCIÓN DE FALLAS

PROBLEMA	CAUSA POSIBLE	SOLUCIÓN
Las terminaciones de las placas de la parrilla tienen marcas de cortes.	Se han utilizado utensilios de metal.	Siempre use utensilios de plástico, nailon o madera anti-térmicos para evitar rayar la superficie antiadherente de las placas de la parrilla. Nunca use pinchos, pinzas, tenedores ni cuchillos de metal.
Las marcas del asado en los alimentos son muy leves.	No se precalentó la parrilla completamente antes de usarla.	Siempre precaliente la parrilla, por lo menos, 5 minutos antes de cocinar cualquier alimento.
Hay acumulación de comida en las placas de la parrilla.	No se limpió la parrilla correctamente después de usarla.	Use esponjillas de nailon y agua caliente en jabón para limpiar las placas de la parrilla. No use esponjillas de lana de acero ni limpiadores abrasivos para limpiar la parrilla.
El alimento está seco y quemado.	El alimento se ha cocinado en exceso.	Dado que la parrilla cocina de ambos lados, los alimentos se cocinan mucho más rápidamente que en una sartén o en un asador. Use la tabla de cocción como guía y controle el alimento cuando haya pasado el tiempo más bajo establecido en la tabla.

PROBLEMA	CAUSA POSIBLE	SOLUCIÓN
La parrilla no enciende.	La parrilla no está enchufada.	Compruebe que el electrodoméstico esté enchufado a un tomacorriente que funcione y de que el interruptor de encendido/apagado esté en la posición de encendido.

NEED HELP?

For service, repair or any questions regarding your appliance, call the appropriate 800 number on cover of this book. Please DO NOT return the product to the place of purchase. Also, please DO NOT mail product back to manufacturer, nor bring it to a service center.

You may also want to consult the website listed on the cover of this manual.

Two-Year Limited Warranty (Applies only in the United States and Canada)

What does it cover?

- Any defect in material or workmanship provided; however, Applica's liability will not exceed the purchase price of product.

For how long?

- Two years after the date of original purchase.

What will we do to help you?

- Provide you with a reasonably similar replacement product that is either new or factory refurbished.

How do you get service?

- Save your receipt as proof of date of sale.
- Check our on-line service site at www.prodprotect.com/applica, or call our toll-free number, 1-800-231-9786, for general warranty service.
- If you need parts or accessories, please call 1-800-738-0245.

What does your warranty not cover?

- Damage from commercial use
- Damage from misuse, abuse or neglect
- Products that have been modified in any way
- Products used or serviced outside the country of purchase
- Glass parts and other accessory items that are packed with the unit
- Shipping and handling costs associated with the replacement of the unit
- Consequential or incidental damages (Please note, however, that some states do not allow the exclusion or limitation of consequential or incidental damages, so this limitation may not apply to you.)

How does state law relate to this warranty?

- This warranty gives you specific legal rights, and you may also have other rights that vary from state to state or province to province.

¿NECESITA AYUDA?

Para servicio, reparaciones o preguntas relacionadas al producto, por favor llame gratis al número "800" que aparece en la cubierta de este manual. No devuelva el producto al establecimiento de compra. No envíe el producto por correo al fabricante ni lo lleve a un centro de servicio. También puede consultar el sitio web que aparece en la cubierta de este manual.

Dos años de garantía limitada (Aplica solamente en Estados Unidos o Canadá)

¿Qué cubre la garantía?

- La garantía cubre cualquier defecto de materiales o de mano de obra. Applica no se responsabiliza por ningún costo que exceda el valor de compra del producto.

¿Por cuánto tiempo es válida la garantía?

- Por dos años a partir de la fecha original de compra.

¿Qué clase de asistencia recibe el consumidor?

- El consumidor recibe un producto de reemplazo nuevo o restaurado de fábrica, parecido al original.

¿Cómo se obtiene el servicio necesario?

- Conserve el recibo original como comprobante de la fecha de compra.
- Se puede visitar el sitio web de asistencia al consumidor www.prodprotect.com/applica, o se puede llamar gratis al número 1-800-231-9786, para obtener información relacionada al servicio de garantía.
- Si necesita piezas o accesorios, por favor llame gratis al 1-800-738-0245.

¿Qué aspectos no cubre esta garantía?

- Los daños al producto ocasionados por el uso comercial
- Los daños ocasionados por el mal uso, abuso o negligencia
- Los productos que han sido alterados de cualquier manera
- Los productos utilizados o reparados fuera del país original de compra
- Las piezas de vidrio y demás accesorios empacados con el aparato
- Los gastos de tramitación y embarque relacionados con el reemplazo del producto
- Los daños y perjuicios indirectos o incidentales (sin embargo, por favor observe que algunos estados no permiten la exclusión ni la limitación de los daños y perjuicios indirectos ni incidentales, de manera que esta restricción podría no aplicar a usted).

¿Qué relación tiene la ley estatal con esta garantía?

- Esta garantía le otorga derechos legales específicos y el consumidor podría tener otros derechos que varían de una región a otra.



2008/8-4-8E/S

Copyright © 2008 Applica Consumer Products, Inc.

Made in People's Republic of China
Printed in People's Republic of China

Fabricado en la República Popular de China
Impreso en la República Popular de China