

ASSEMBLY INSTRUCTIONS

Notes:

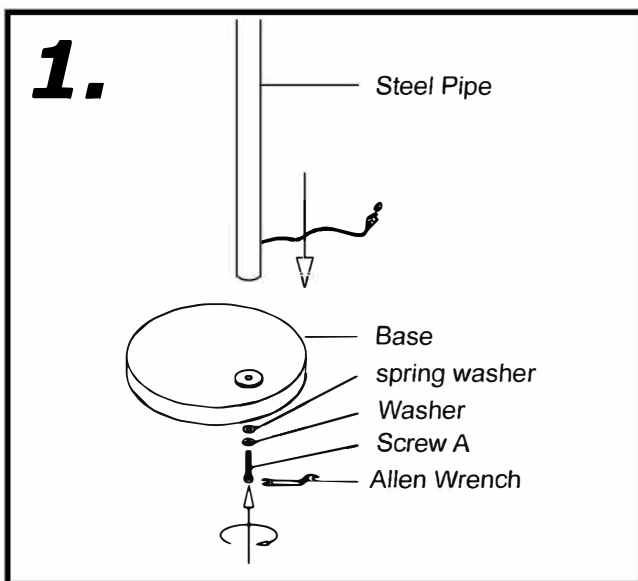
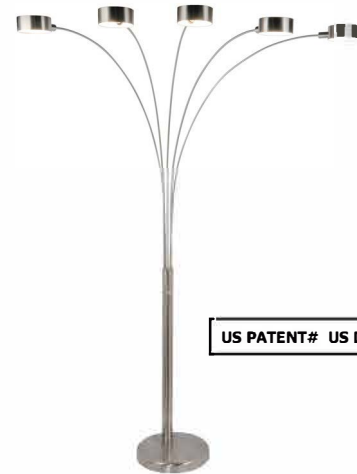
Before assembling this lamp, please read the following precautions and instructions thoroughly and remove all plastic covering from the lamp.

This portable lamp has a polarized plug (one blade is wider than the other) as a safety feature to reduce the risk of electric shock. This plug fits in polarized outlet one way only. If the plug does not fit fully in the outlet, reverse the plug. If it still does not fit, contact a qualified electrician. Never use an extension cord unless the plug can be fully inserted. DO NOT alter the plug.

The electrical wire is connected continuously through the poles. DO NOT pull wires during unpacking, for bad connections may result.

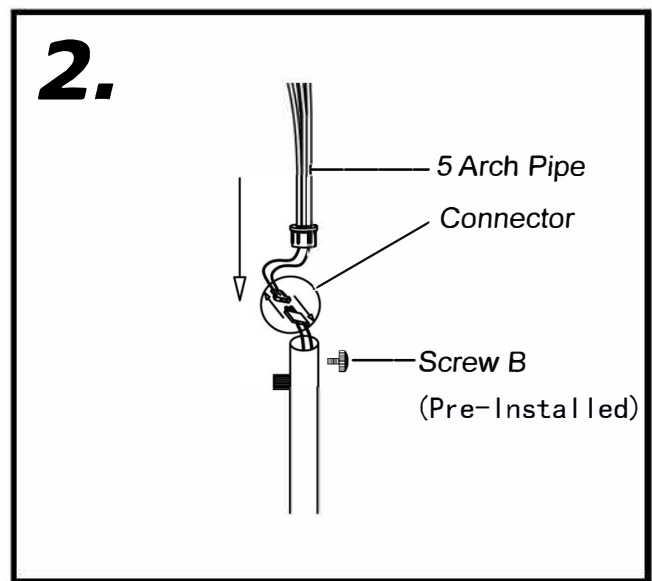
Place the lamp indoor, on dry area only. The lamp produces very high temperature; always unplug electrical cord and allow sufficient time for bulb to cool down before replacing bulb or parts.

Item#: A207902SN



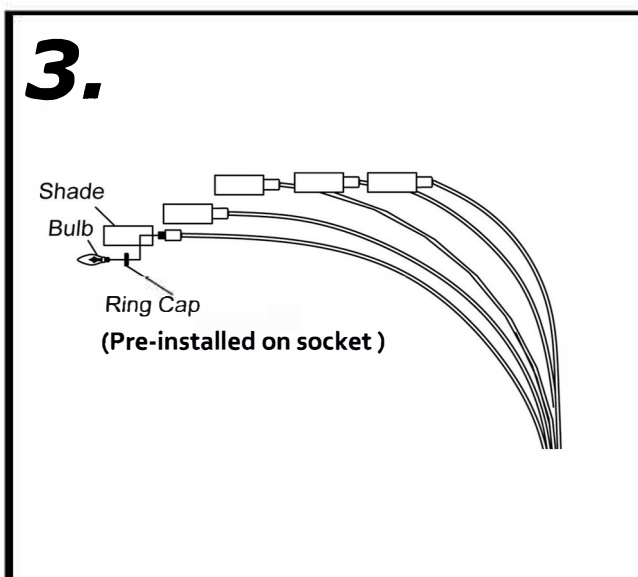
Screw the **Steel Pipe** onto the **Base** with **Screw A**, **Spring Washer**, and **Washer**. Then, tighten up with the provided **Allen Wrench**.

Tips: Angle the **Base** so it is perpendicular to the floor for easier installation.



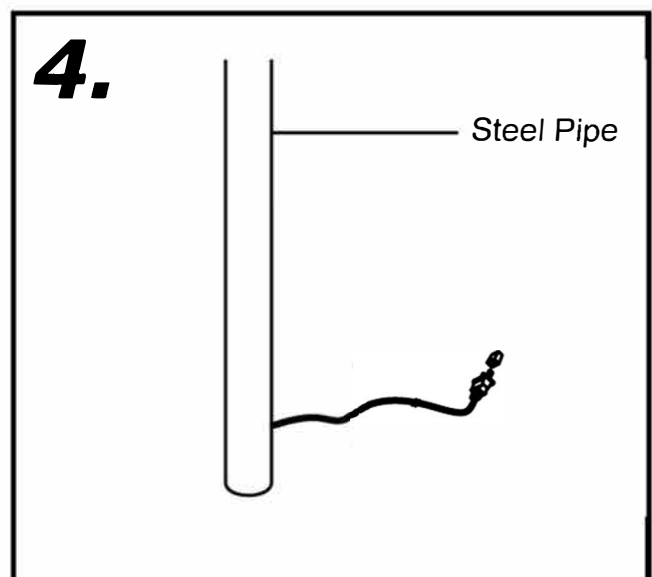
Link up the Male and female **Connector** together.

Insert the **5 Arch Pipe** into the **Steel Pipe** and Secure it with the **Screw B**.



Place the **Shades**, **Ring Caps**, and **Light Bulbs** onto the tips of the **5 Arch Pipe** through the **Light Bulb Socket**.

Tips: **Ring Caps** are pre-installed on the **5 Arch Pipe**. Must assemble in the order: **Shades**, **Ring Caps**, then **Light Bulbs**.



Insert the **plug** into the wall outlet, and **enjoy** this beautiful lamp.

Tips: The shades are 360° rotatable; you can change the direction of the light when desired.