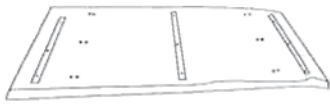
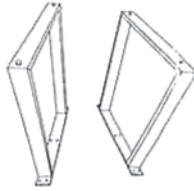


ITEM # SWHCDT Sheesham Rosewood Live Edge Dining Table Assembly Instructions - Max Weight Capacity 330 lbs

Components:



1 Piece Table Top



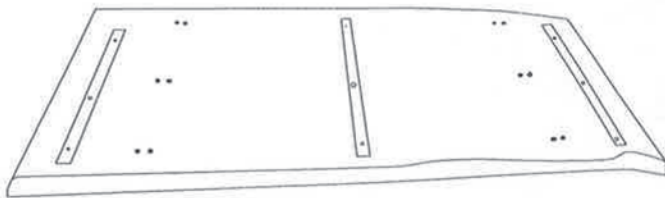
2 Pieces Table Legs



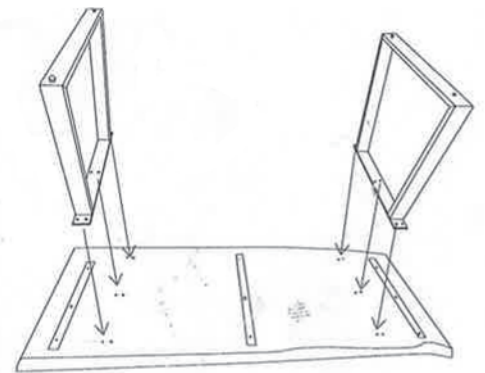
12 Long Bolts



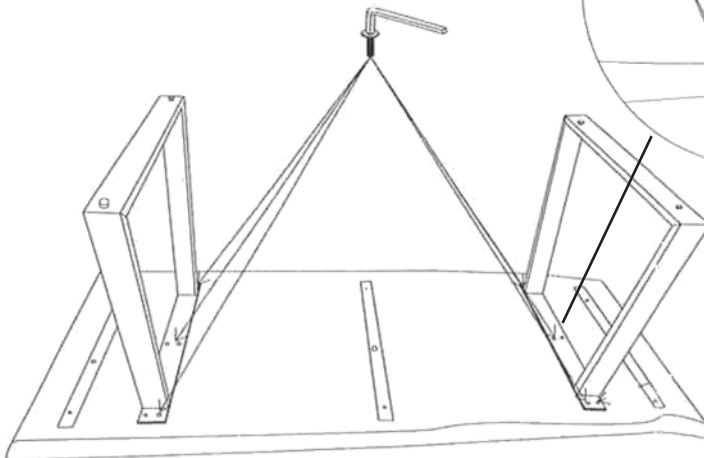
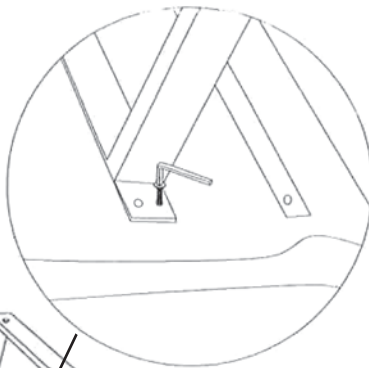
1 Hex Wrench



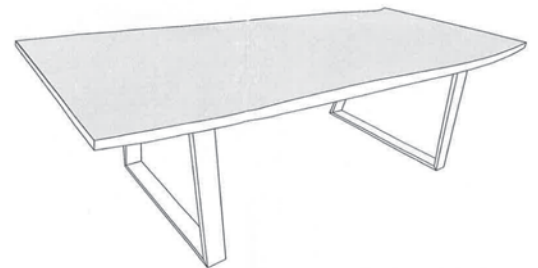
1) Place Table Top on smooth surface.



2) Attach Table Legs to Table Top using 6 Long Bolts each leg.



3) Attach remaining Table Leg using 6 Long Bolts.



4) Tighten all bolts. Place table upright.

If you experience a problem, have questions or need parts for this product, visit our website call Customer Service at **1-636-532-9888, Monday-Friday, 8 AM - 4 PM Central Time**