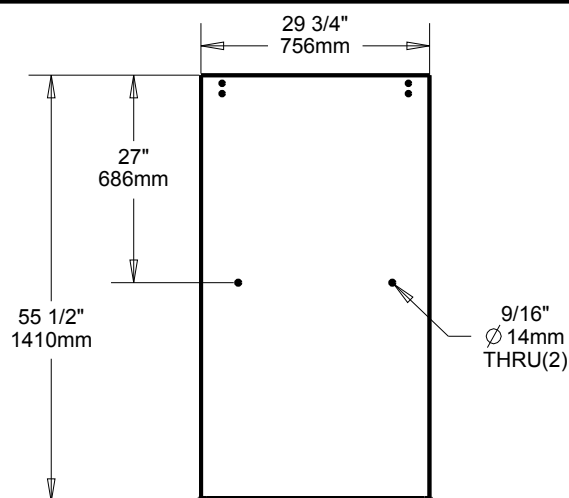


# TECHNICAL DATA

## Shower Door

3/8"(10mm) SLIDING BATHTUB  
60" GLASS PANELS



**MATERIALS:** 3/8" (10mm) Tempered Glass Panels.

**INSTALLATION:** Detailed Instructions and Hardware Included in Track Kit (Sold separately) for Easy Installation.

**UNIQUE FEATURES:** Spot Guard Easy Clean Coating.

Available in Clear, Rain and Niebla.  
Includes Pre-Installed Clear Bottom Glazing.

MOD: Fits Doors with an Opening min/max of 50 1/8" - 58 1/2" (127cm - 149cm)

**NOTE:** Not compatible with Delta Traditional or Delta Contemporary Track Kits

**WARRANTY:** 5 Year Limited Warranty.

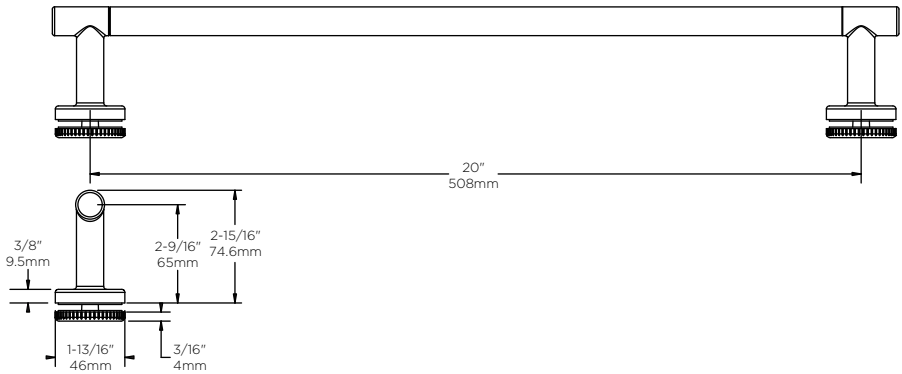
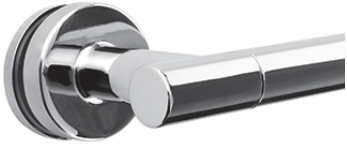


see what Delta can do

# TECHNICAL DATA

## Shower Door

## LYNDALL™ HANDLE



- MATERIALS:** Zinc Posts for All, Stainless Steel Bars for Polished Chrome, Aluminum Bars for Brushed Nickel, Oil Rubbed Bronze & Polished Brass.
- INSTALLATION:** Detailed Instructions and Hardware Included for Easy Installation.
- UNIQUE FEATURE:** Coordinates with Delta® Faucets and Bath Hardware. Compatible with All Delta® Sliding Bathtub or Shower Doors.
- WARRANTY:** 5 Year Limited Warranty.

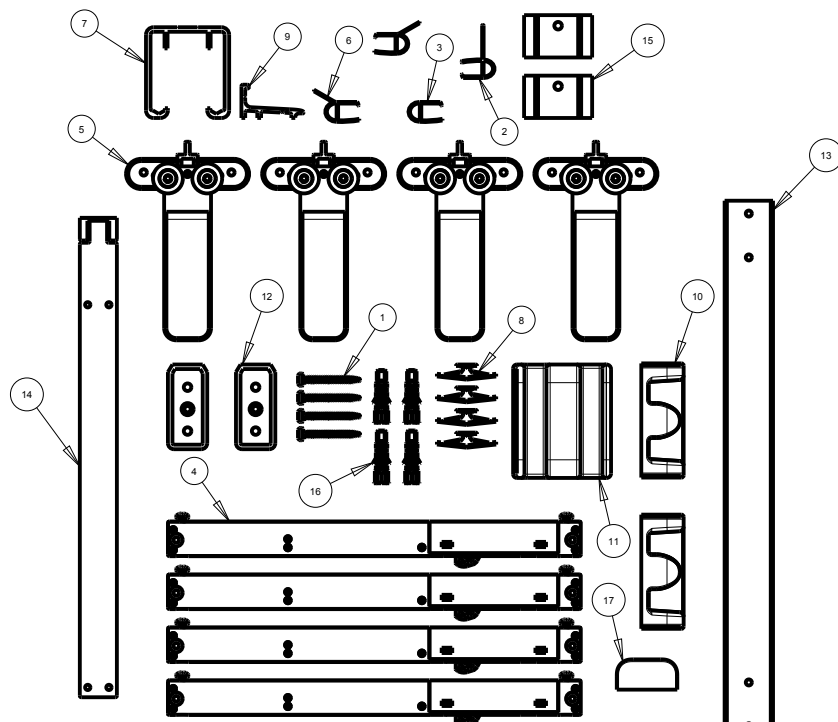
**WARRANTY:** 5 Year Limited Warranty.



see what Delta can do™

# SHOWER DOOR

# SLIDING MOD STYLE BATHTUB TRACK 60"



ID	DESCRIPTION	QTY	MATERIAL
1	#8-18 X 1.5" LONG PHILLIPS HEAD	4	SS
2	10mm Blade Seal	1	PVC
3	10mm Bumper Seal	1	PVC
4	10mm Damper	4	ASSEMBLY
5	10mm Door Roller Assembly	4	ASSEMBLY
6	10mm Outer Angle Blade Seal	2	PVC
7	10mm Top Track	1	AL6463
8	Acrylic Wall Anchor	4	NYLON
9	Bottom Track	1	AL6463
10	Bumper	2	PVC
11	Center Divider	1	NYLON
12	Collar Bracket	2	ZINC_DIE_CAST
13	Collar Bracket Template	1	AL6063
14	Damper Drilling Template	1	NYLON
15	Retention Plate	2	NYLON
16	Tile Wall Anchors	4	PVC
17	Trim Cap	1	PVC

**MATERIAL:** Anodized Aluminum Extrusions (Track) and Zinc Die Cast (Mounting Brackets).  
Bronze Finish is Powder Coated.

**INSTALLATION:** Detailed Instructions, Templates and Hardware Included for Easy Installation.

**UNIQUE FEATURE:** Constructed of Corrosion Resistant Anodized Aluminum.  
60" Track Assembly Kit

Fits 60" Shower Doors with an Opening min/max of 50 1/8" - 58 1/2" (127cm-149cm),  
with a Height of 59 1/4" (150cm).

**NOTE:** Height of 63" (160cm) Required for installation

Compatible with all 3/8" (10mm) Delta Shower Glass  
Wall Studs located over threshold Required for Installation.

**WARRANTY:** 5 Year Limited Warranty.



see what Delta can do