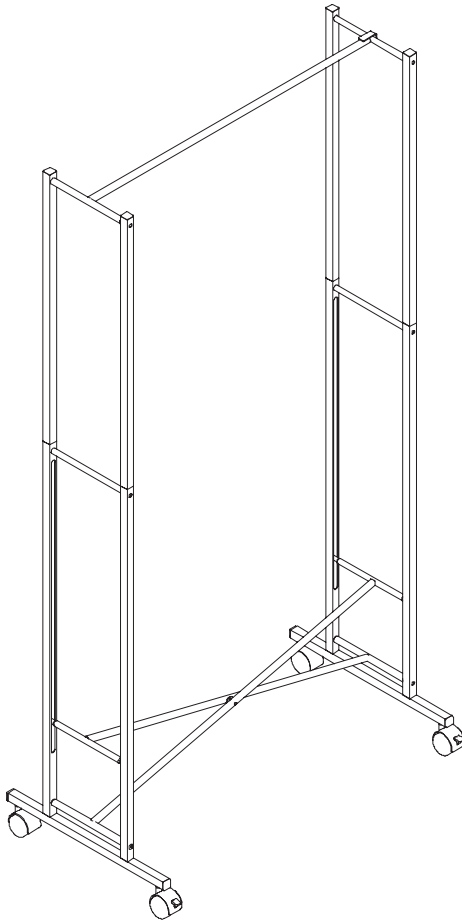




GAR-01268

# chrome folding garment rack

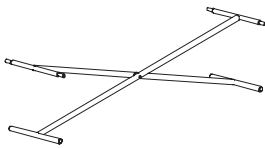


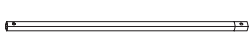








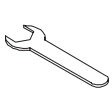



**68 in H x 35 in W x 18.25 in D (173 cm H x 89 cm W x 46.5 cm D)**



**IMPORTANT! Please read prior to use.** This Honey-Can-Do chrome double-flared adjustable height rack is designed for indoor use. Please do not over-load. To prevent tipping, we recommend that you evenly distribute the weight throughout the unit. Please keep top hanger bar horizontal when in use. Please do not use storage closet for anything other than its intended use. Please do not allow children, spouses or pets to hang from or hide in storage closet. Please keep away from heat sources such as heaters and fireplaces.

# PARTS LIST

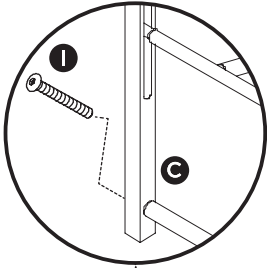
PART/ILLUSTRATION	(QTY)	DESCRIPTION
<b>A</b> 	(1)	scissors bar
<b>B</b> 	(2)	base bar
<b>C</b> 	(4)	bottom upright
<b>D</b> 	(4)	top upright
<b>E</b> 	(1)	hanger bar
<b>F</b> 	(6)	insert bar
<b>G</b> 	(2)	caster
<b>H</b> 	(2)	locking caster
<b>I</b> 	(16)	screw
<b>J</b> 	(4)	base cap
<b>K</b> 	(4)	upright bar cap
<b>L</b> 	(1)	hangbar cap
<b>M</b> 	(1)	wrench
<b>N</b> 	(1)	hex key tool

**Thank you for purchasing a Honey-Can-Do Storage Closet!**

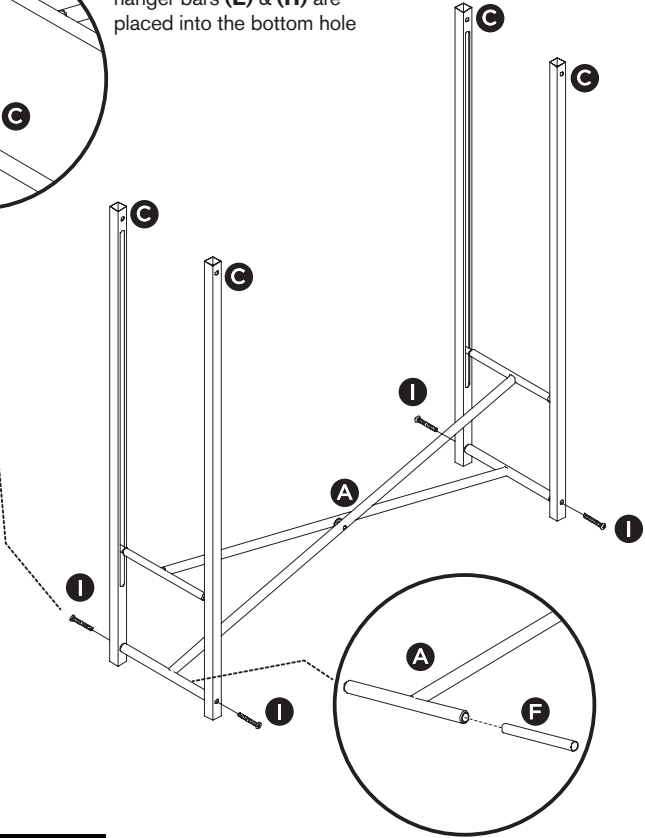
Please follow these step by step instructions carefully. Plan to spend about 35 minutes assembling your new closet. For assistance, please contact us at [info@honeycando.com](mailto:info@honeycando.com) or 877.2.i.Can.Do.

# ASSEMBLY

## STEP 1 (LOWER FRAME)



hanger bars (E) & (H) are placed into the bottom hole

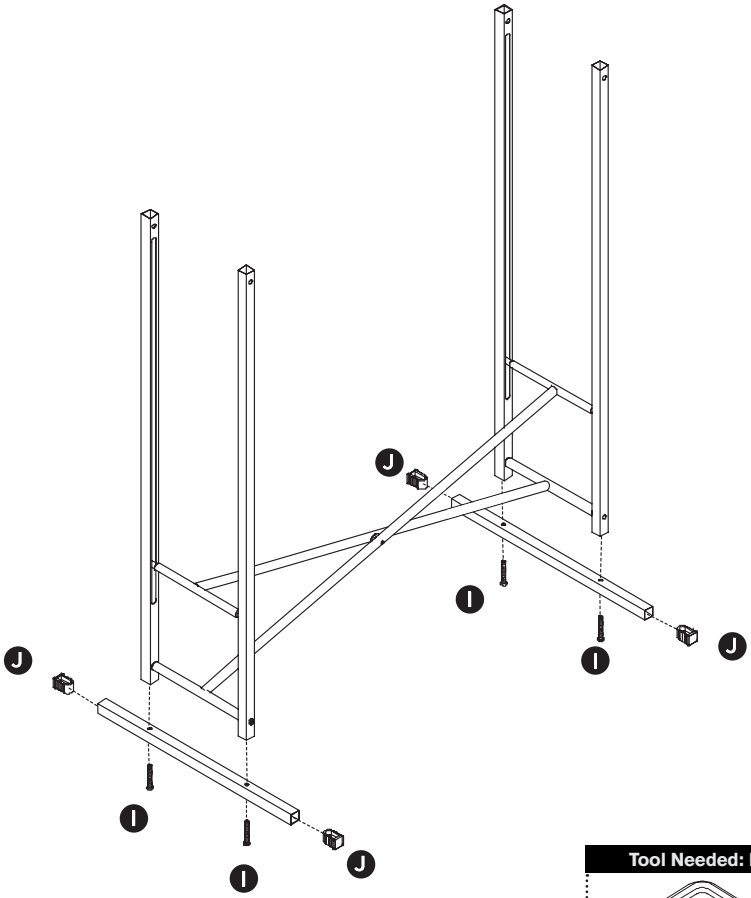


**Tool Needed:** hex key



# ASSEMBLY

## STEP 2

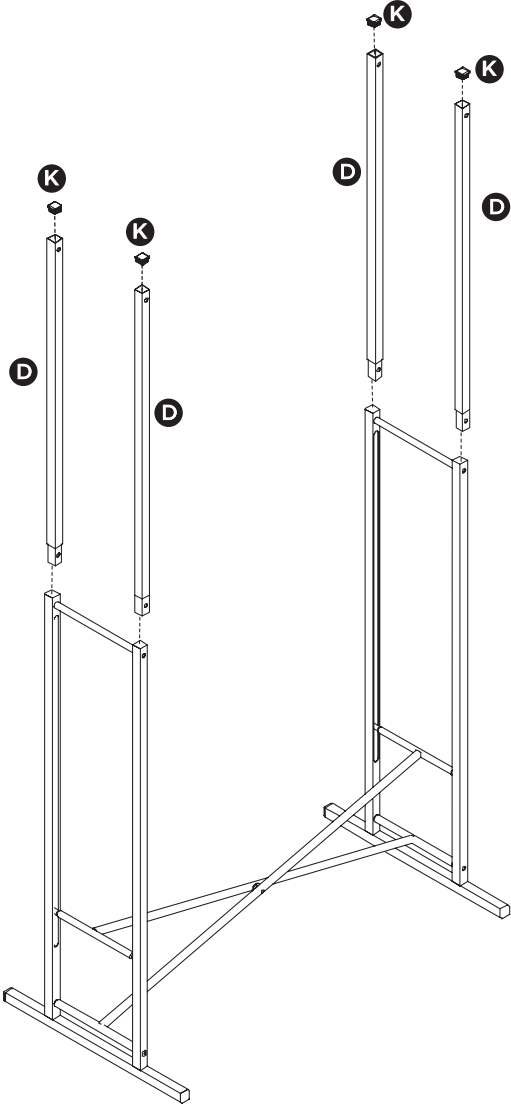


**Tool Needed:** hex key



# ASSEMBLY

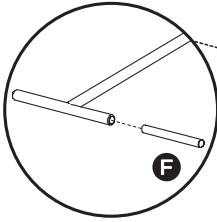
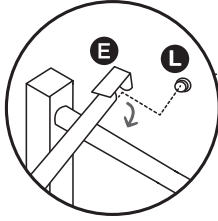
## STEP 3



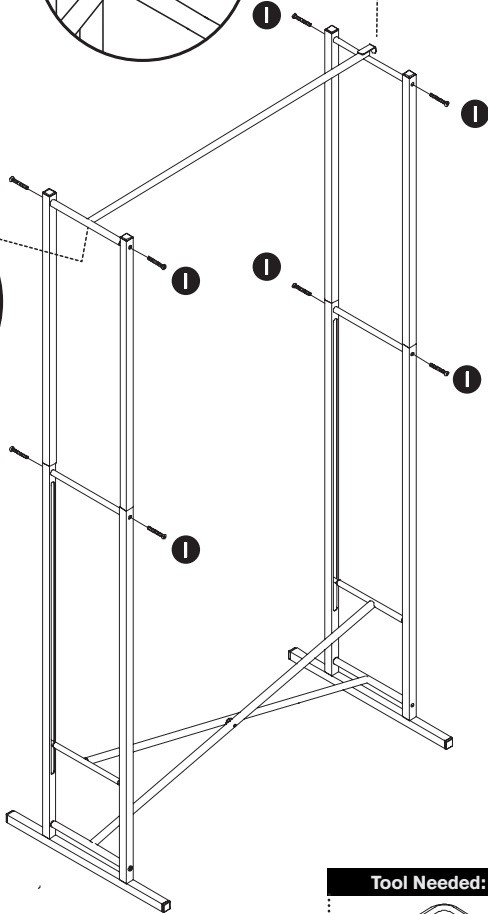
# ASSEMBLY

## STEP 4 (HANGING BAR)

hanger bars **(E)** & **(H)** are placed into the bottom hole



hanger bars **(E)** & **(H)** are placed into the bottom hole

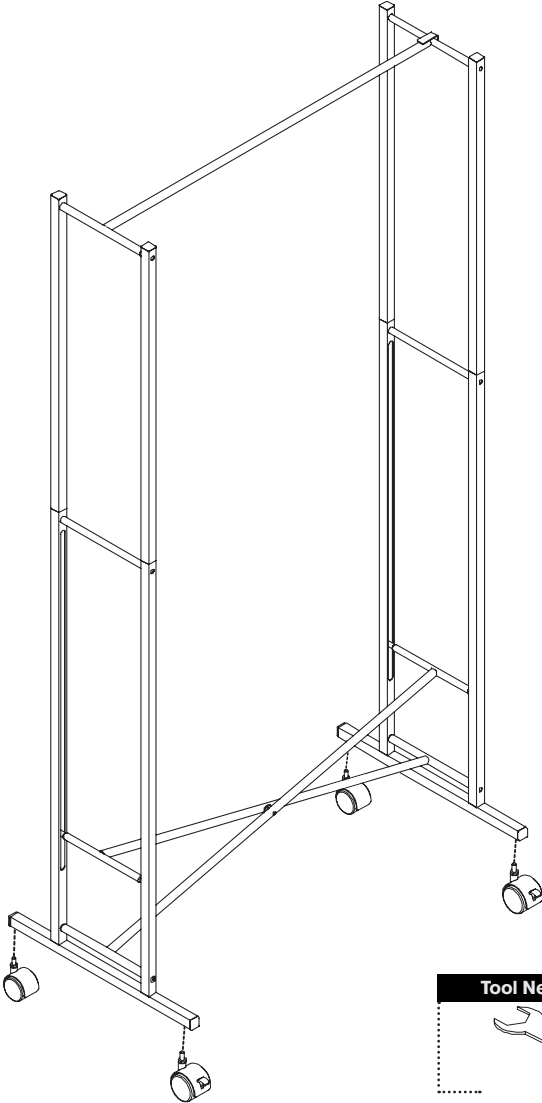


**Tool Needed:** hex key

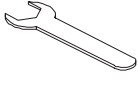


# ASSEMBLY

## FINAL STEP! (CASTERS)



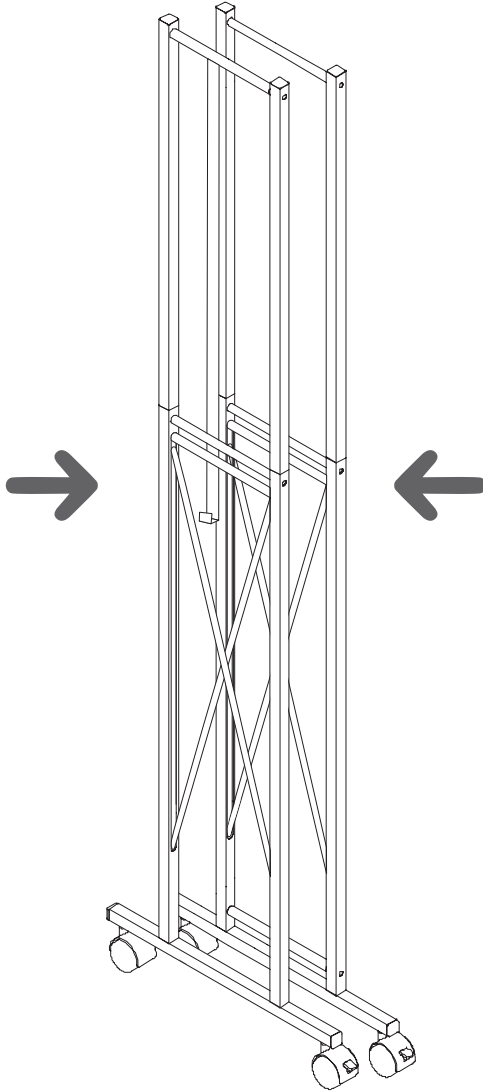
**Tool Needed:** hex key





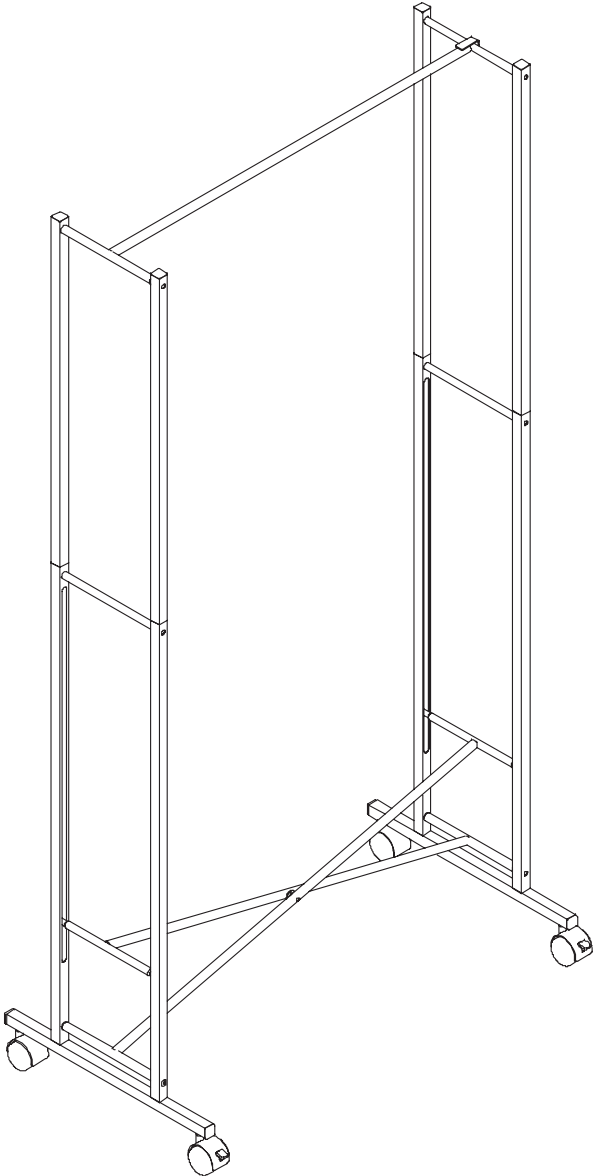
# ASSEMBLY

## STORAGE

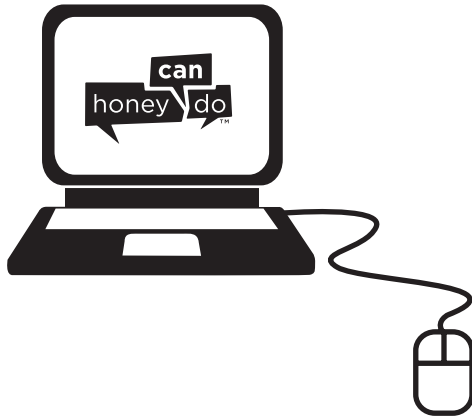


# ASSEMBLY

FINISHED PRODUCT



For questions or comments, please call  
708.240.8100 or visit us online



[www.honeycando.com](http://www.honeycando.com)

#### LIMITED LIFETIME WARRANTY

Honey-Can-Do International, LLC (HCD) warrants its products will be free from defects in materials and workmanship when used for normal personal or household use, except as provided below. HCD, at its option, may offer a comparable product or offer a replacement part or request that the item be returned to the place of purchase. This warranty DOES NOT apply to damage caused by negligence, misuse, excessive use, improper cleaning, improper assembly, or any circumstances not directly attributable to manufacturing defects. Proof of purchase is required in the form of a receipt (copy or original) to validate warranty. HCD provides this limited lifetime warranty in lieu of all other warranties, either express or implied. In no event shall HCD, its affiliates, or subsidiaries be responsible for consequential or incidental damages arising out of a claim of defective product. Some states or provinces do not allow some exclusions or limitations, so the above statement may not apply to you. This warranty gives you specific legal rights. Additional rights vary by state or province.

PLEASE RECYCLE

---



YOUR SOURCE FOR  
ORGANIZATION,  
STORAGE & STYLE

**Honey-Can-Do International**

5750 McDermott Drive, Berkeley, IL 60163 USA

877.242.2636 | [www.honeycando.com](http://www.honeycando.com)

©2011 Honey-Can-Do International, LLC | All Rights Reserved

---