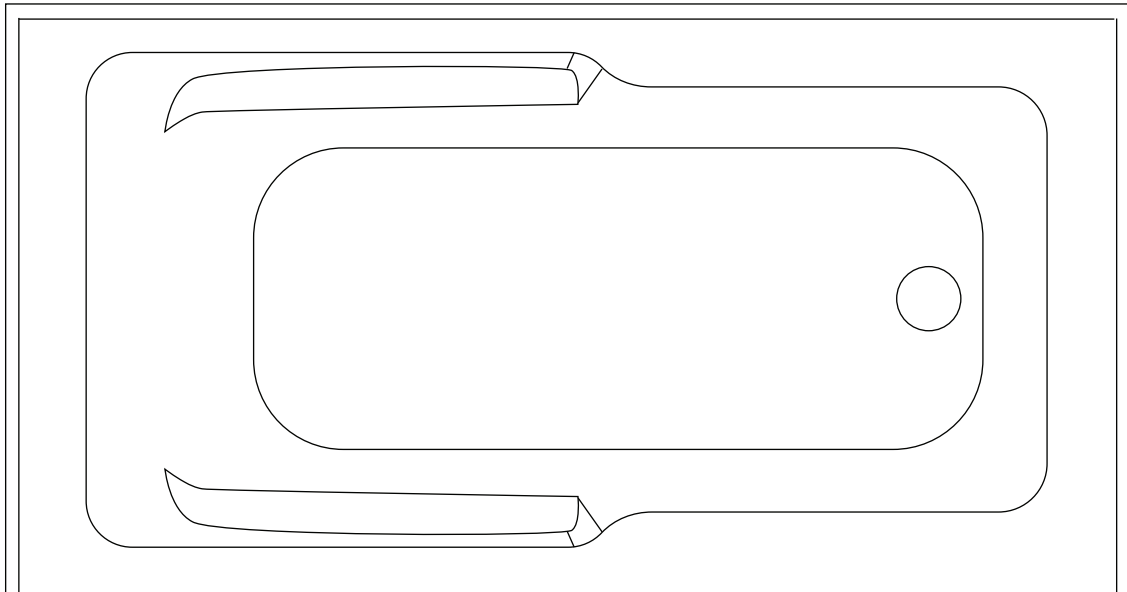


# INSTALLATION INSTRUCTIONS

---

*Swiss Madison*<sup>®</sup>  
well made forever

## Alcove Bathtub



Share your pictures for a feature!  
using **#SwissMadison**



# Thank you for your purchase!

Thank you for purchasing a Swiss Madison Bathtub.

We appreciate your business and know you will enjoy your product for many years to come.

If you have any questions or require assistance we would be happy to help,

please contact us at 1-434-6234766 or [info@swissmadison.com](mailto:info@swissmadison.com).

To learn more about our products, please visit:

[www.swissmadison.com](http://www.swissmadison.com)

Sincerely,

The Swiss Madison Team



## Prior to Installation:

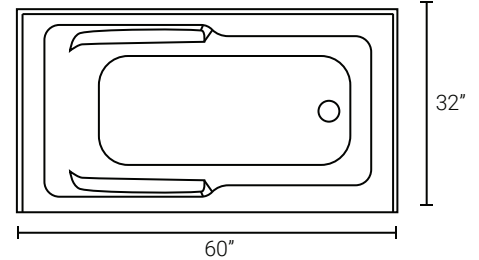
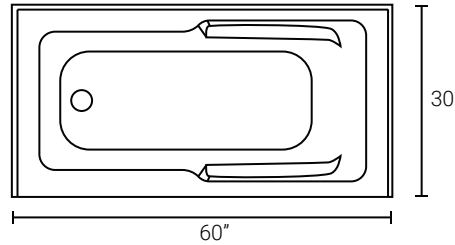
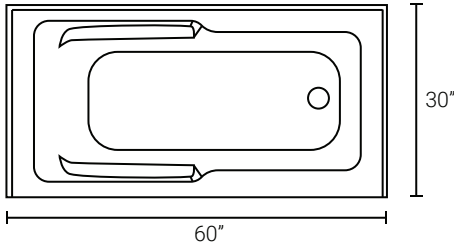
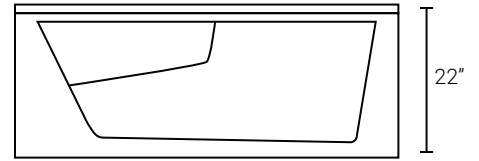
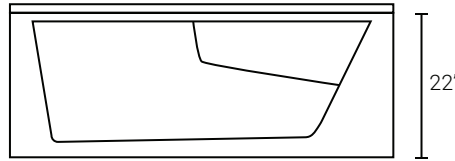
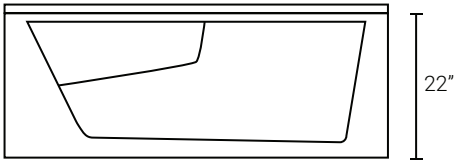
- Inspect bathtub to ensure no damages have occurred while in shipping.
- Observe all plumbing and building codes in accordance with your state and local requirements.
- Additional floor and wall preparations may be necessary to avoid damage to the product.
- To ensure this product is installed properly, please read all instructions before you begin.
- Professional help is recommended
- All dimensions are nominal! Be sure to measure your bathtub prior to installation.

**General Recommendations:** Read installation and maintenance instructions thoroughly before installing.  
Be sure to use proper tools and always wear proper personal safety accessories for your protection.

If you have any questions or concerns please contact us:

1-434-623-4766

[info@swissmadison.com](mailto:info@swissmadison.com)



**Voltaire**

60" x 30" x 22"

- SM-AB540 - Glossy White
- SM-AB540MB - Matte Black

\*Right-Hand Drain

**Voltaire**

60" x 30" x 22"

- SM-AB541 - Glossy White
- SM-AB541MB - Matte Black

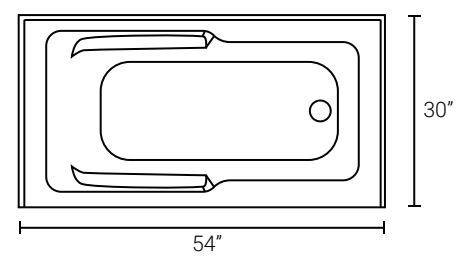
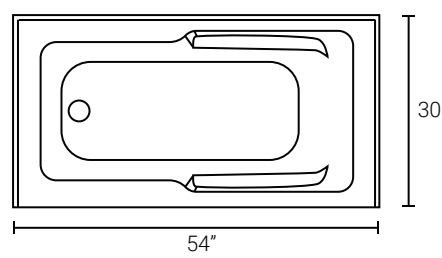
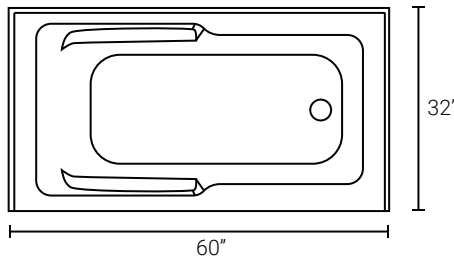
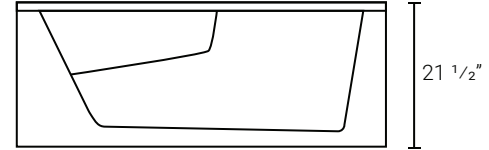
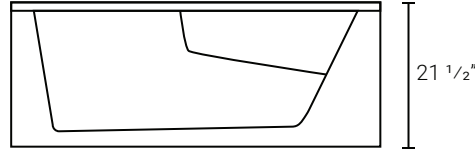
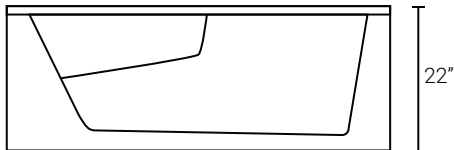
\*Left-Hand Drain

**Voltaire**

60" x 32" x 22"

- SM-AB542 - Glossy White
- SM-AB542MB - Matte Black
- SM-AB542MW - Matte White

\*Right-Hand Drain



**Voltaire**

60" x 32" x 22"

- SM-AB543 - Glossy White
- SM-AB543MB - Matte Black
- SM-AB543MW - Matte White

\*Left-Hand Drain

**Voltaire**

54" x 30" x 21 1/2"

- SM-AB549 - Glossy White
- SM-AB549MB - Matte Black
- SM-AB549MW - Matte White

\*Left-Hand Drain

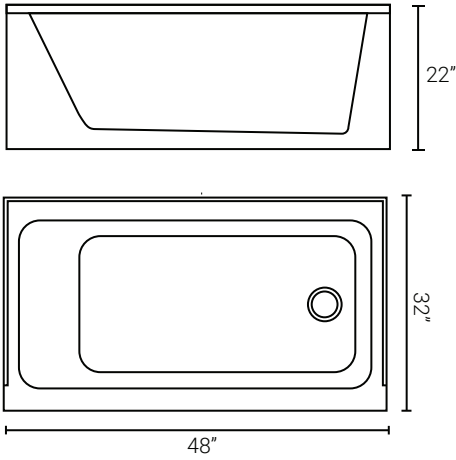
**Voltaire**

54" x 30" x 21 1/2"

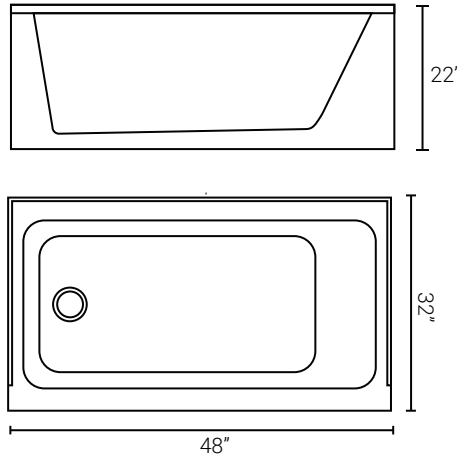
- SM-AB550 - Glossy White
- SM-AB550MB - Matte Black
- SM-AB550MW - Matte White

\*Right-Hand Drain

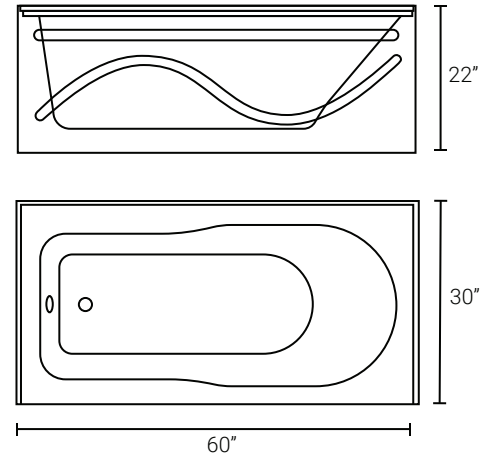
\*Compatible, standard 2" drain sold separately



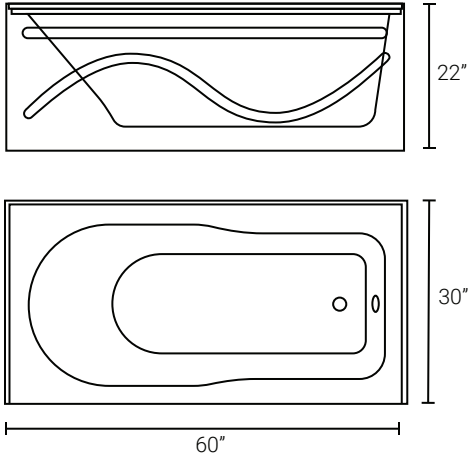
**Voltaire**  
 48" x 32" x 22"  
 SM-AB551 - Glossy White  
 \*Right-Hand Drain



**Voltaire**  
 48" x 32" x 22"  
 SM-AB552 - Glossy White  
 \*Left-Hand Drain

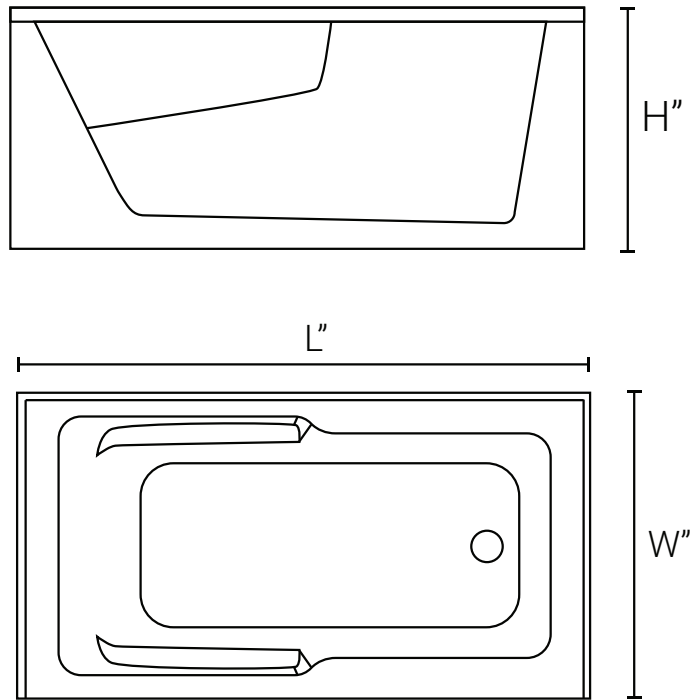


**Voltaire**  
 60" x 30" x 22"  
 SM-AB545 - Glossy White  
 \*Left-Hand Drain



**Voltaire**  
 60" x 30" x 22"  
 SM-AB546 - Glossy White  
 \*Right-Hand Drain

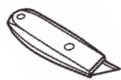
\*Compatible, standard 2" drain sold separately



## SUGGESTED TOOLS AND MATERIALS



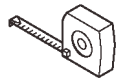
Safety Glasses



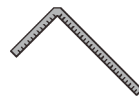
Utility Knife



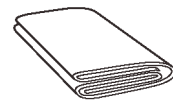
Pencil



Tape Measure



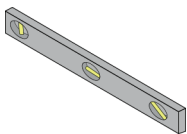
Square



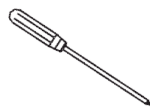
Drop Cloth



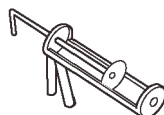
Screw 6 pcs.  
(included)



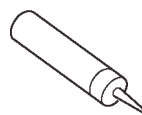
Level



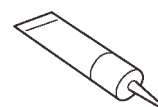
Screwdriver



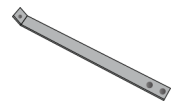
Caulk Gun



Adhesive  
1 tube



Sealant  
1 tube



Cast Iron bar  
3 pcs.  
(included)

**WARNING:** All plumbing installations must be done in accordance to legal regulations.

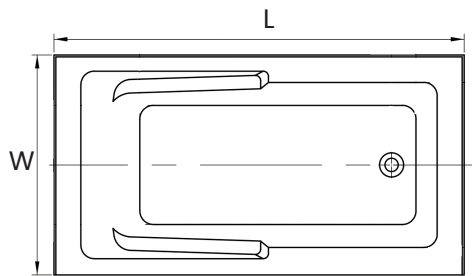
1. Read the complete instruction manual before beginning installation.
2. Confirm that your model will fit in intended location and plumbing fixtures are located where legally required before beginning installation.
3. Not all drawings on this manual are drawn to scale. Please refer to the model chart.
4. Walls and sub-floor must be solid, and square.
5. Always use drop cloth to protect bathtub from damage during installation.
6. Two people must be used at all times to move and install bathtub.

**ATTENTION! Before installing the bathtub:**

- Make sure all wood studs and supports are properly installed.
- Verify all the necessary plumbing is installed by a certified plumber.
- Floor drain and trap are not included.

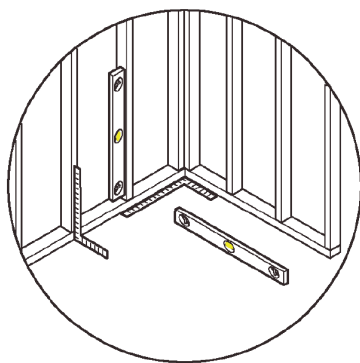
## I. Rough-In

- Rough plumbing must be pre-installed by a certified plumber before installation.
- If floor drain-hole installation is needed, contact a certified plumber.
- Place tub at final desired location and verify floor drain and bathtub drain align.

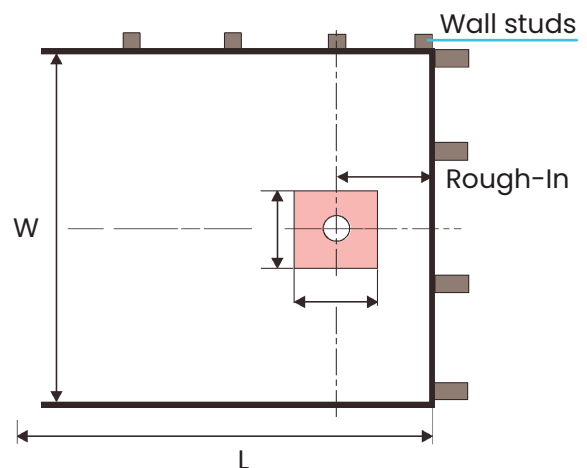


**Rough-In Measurements:**

Left-Hand Drain:	Right-Hand Drain
SM-AB541 : 10 <sup>5</sup> / <sub>8</sub> "	SM-AB540 : 10 <sup>5</sup> / <sub>8</sub> "
SM-AB543 : 10 <sup>5</sup> / <sub>8</sub> "	SM-AB542 : 10 <sup>5</sup> / <sub>8</sub> "
SM-AB549 : 7 <sup>7</sup> / <sub>8</sub> "	SM-AB550 : 7 <sup>7</sup> / <sub>8</sub> "
SM-AB552 : 8 <sup>1</sup> / <sub>4</sub> "	SM-AB551 : 8 <sup>1</sup> / <sub>4</sub> "
SM-AB545 : 9 <sup>7</sup> / <sub>8</sub> "	SM-AB546 : 9 <sup>7</sup> / <sub>8</sub> "

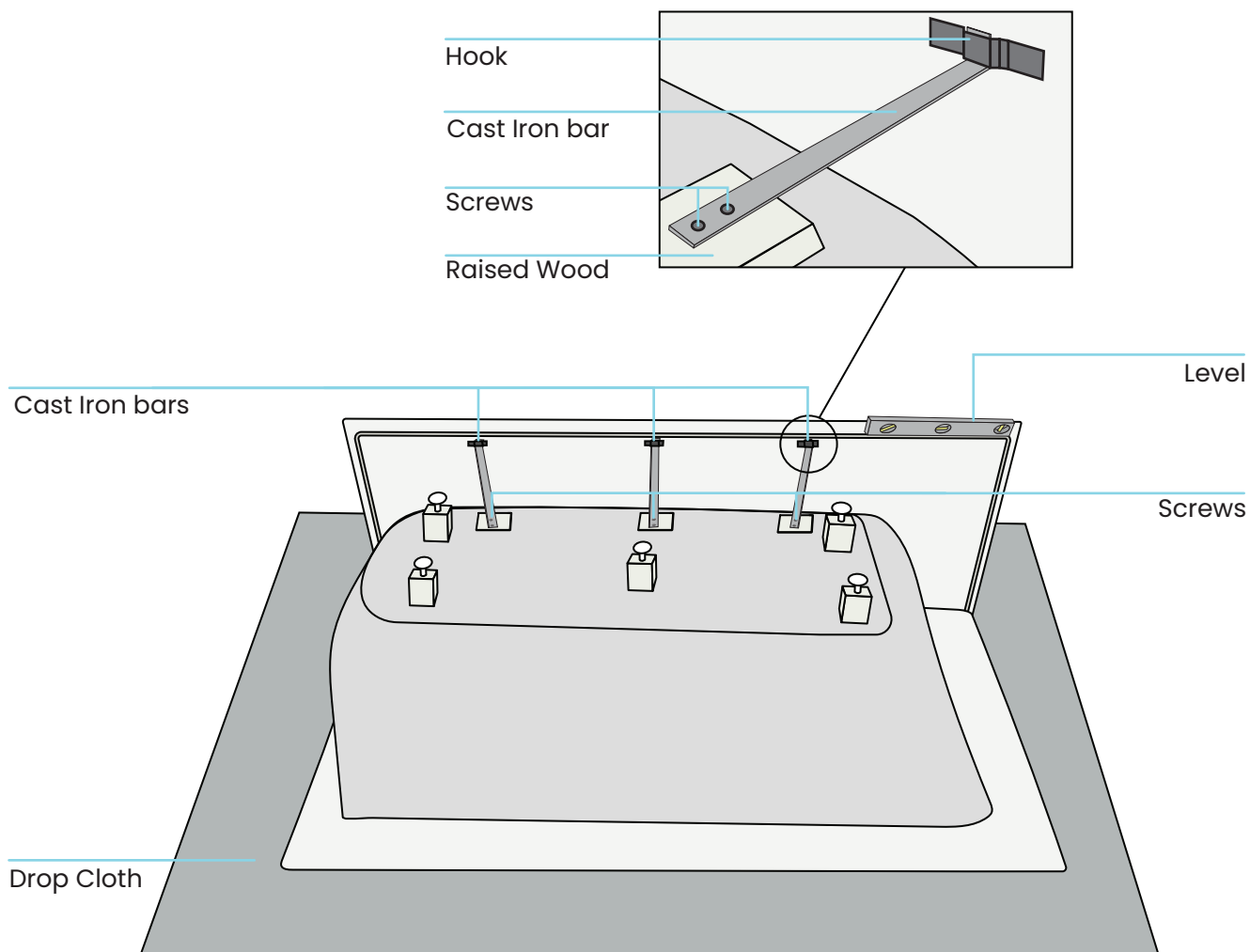


Studs must be flush and square



## 2. Attach Cast Iron Bars

- Flip tub on upside-down using a drop cloth for protection.
- Use level tool to verify apron is vertical to the ground.
- Screw cast iron bar (flat end) into raised wood platform on bottom of tub.
- Repeat for all three supports.

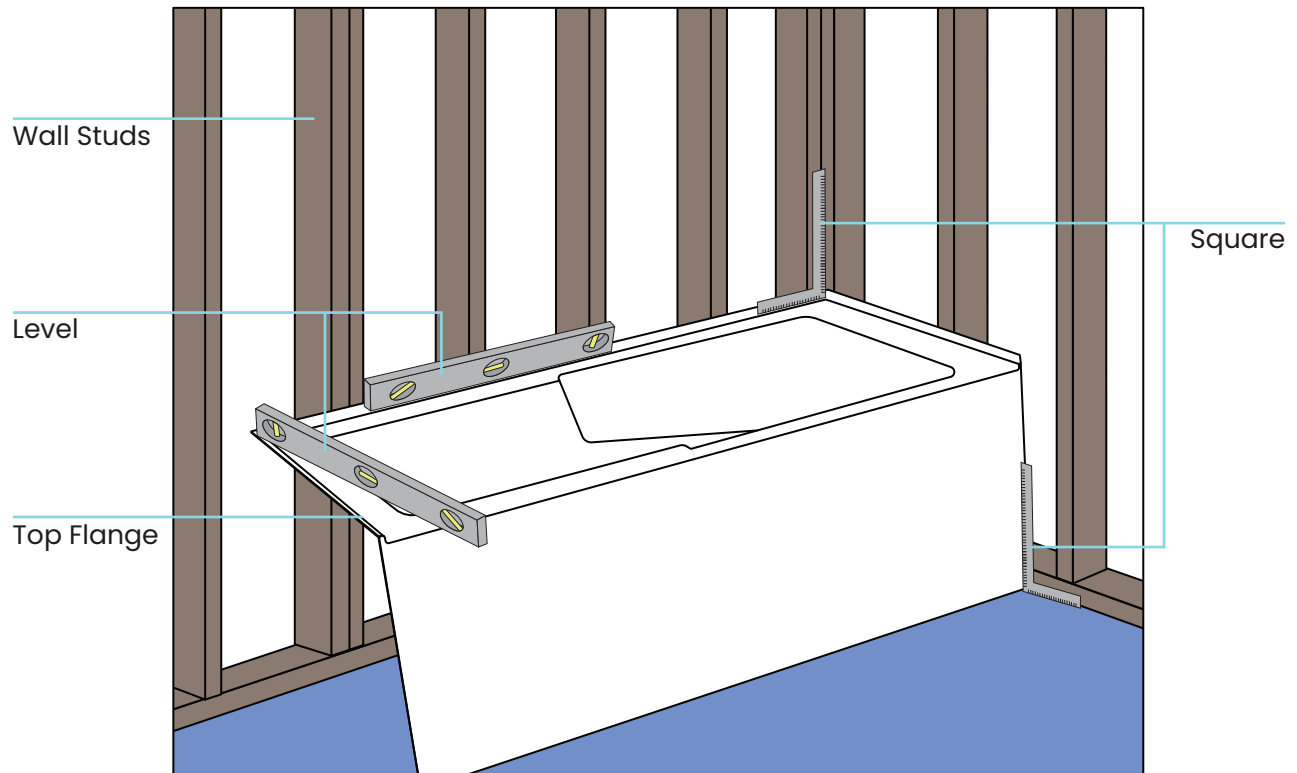


## 3. Level Bathtub

- Flip tub back to standing position.
- Adjust the leg height to ensure tub is level with floor and apron, verify tub is level using level tool.

#### 4. Set Bathtub

- Set down bathtub back in the predetermined location.
- Use level tool to verify tub is flush with floor for maximum stability.
- Apply bead of silicone sealant where the apron and floor meet to create a water tight seal.







1-434-MADISON

(623-4766)

19 Stults Road

Dayton, NJ 08810

[www.swissmadison.com](http://www.swissmadison.com)

## ONE YEAR LIMITED WARRANTY

Swiss Madison® products are made with quality materials and excellent craftsmanship to provide our customers with beautiful, durable, long-lasting products. Should there be any defects in materials or craftsmanship under regular use that are discovered within the first year of installation, Swiss Madison® will provide replacement parts at no charge, or at its discretion, replace any product or part of the product that is deemed defective, under normal installation, use, service or maintenance. This warranty applies only to the original purchaser. Proof of purchase will be required in the instance of a claim.

Swiss Madison® recommends all installations of Swiss Madison® products to be conducted by a licensed, professional plumber or contractor. Swiss Madison® will not be held responsible for any damage or product failure due to improper installation, misuse, or failure to utilize a licensed professional for installation. Swiss Madison® is not responsible for any installation or removal costs.

### **This One Year Limited Warranty Will Be Voided If:**

- The installation recommendations were not followed by the installer
- The product has been moved from its initial place of installation
- The product has in any way been modified from its packaged state
- The product has been subjected to improper maintenance, abuse, misuse, excessive use of chemicals, accidents, or other damages, etc.

Swiss Madison® makes no implication that its products comply with any local building or plumbing codes. It is the consumer's responsibility and obligation to determine local code compliance prior to and during installation. This warranty extends only to the original purchaser and first consumer.

Swiss Madison® is not responsible for any special, incidental or consequential damages associated with the installation, replacement, return or use of the original purchaser's product. This includes, but is not limited to: freight costs, labor, travel time, lost profit, home damages and other contingent liabilities and costs (including, without limitation, costs associated with 'professionals' or 'experts', investigations, audits, analyses, attorneys and any other professional/hired services).

The Swiss Madison® warranty is a comprehensive and explicit limit of liability. All items not disclosed within the warranty are not addressable within the responsibility of Swiss Madison®. Certain states have variances regarding implied warranties; in those situations, we remain fully compliant.

**If you have any questions or concerns, please contact us directly at  
1-434-MADISON (623-4766)**

**WARNING:** Contents of your order may contain sharp and possibly other harmful pieces and may cause hazard to children and adults. Swiss Madison® is not responsible in any way for personal damages.