

ASSEMBLING & INSTALLATION INSTRUCTIONS PRODUCT# 50860 50861

For Wall Mount Fixture

WARNING! SHUT POWER OFF AT FUSE OR CIRCUIT BREAKER .

MOUNTING THE FIXTURE

Installation (see fig.1)

1. Disconnect power at main electrical panel before installation.
2. Thread the two mounting screws about 1/4" into the pre-drilled holes in the mounting plate, spaced about the same distance apart as the holes in the fixture back plate. Attach the mounting plate to the junction box using two junction box screws. The side of the mounting plate marked "GND" must face out. **The junction box is not included.**
3. Guide fixture wires through hole in center of mounting plate.
4. Follow wiring instructions carefully (see fig.2)
5. Attach the fixture body(A) by aligning mounting holes in fixture back plate with mounting screws and threading ball nuts (B) onto mounting screws.
6. **Install the light bulbs in accordance with the fixture's specifications DO NOT EXCEED THE MAXIMUM WATTAGE RATING!**
7. Attach the shade(C) onto the fixture body, aligning mounting hole with screw hole of the fixture body, lock it securely with the ball nut(D).

Wiring (see fig.2)

1. Connect the electrical wires as follows. Connect the Black wire from the fixture to the black house (hot) Wire. Connect the white wire from the fixture to the white (neutral) house wire. Make sure all wire nuts are secured. You may wrap the connections with electrical tape. If your outlet box has a ground wire (green or bare copper) connect fixture's ground wire to it. Otherwise attach the bare copper fixture wire to the green ground screw on the mounting plate.
2. Tuck the wire connections neatly into the wall junction box.

Fig.1

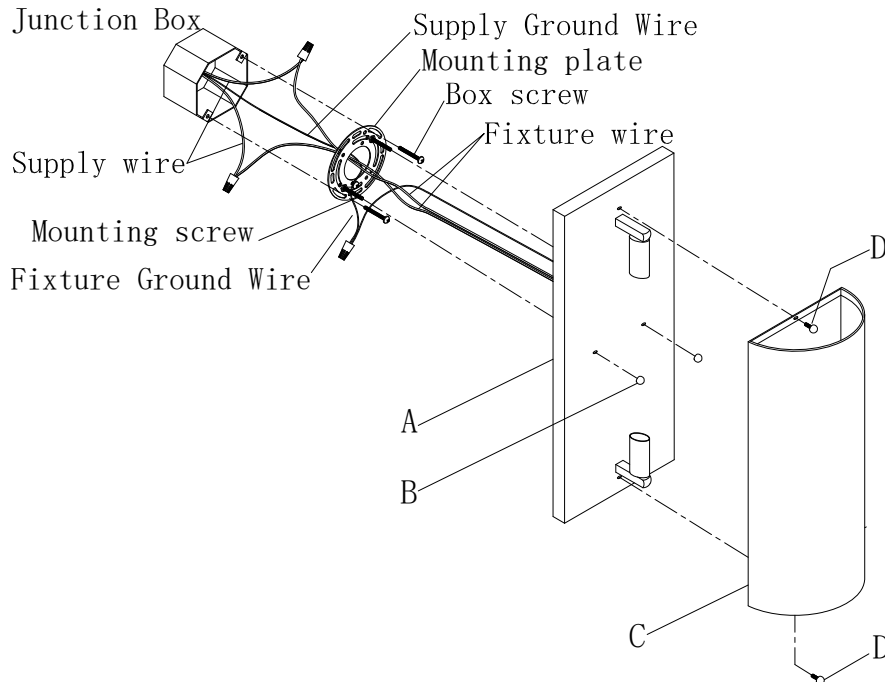


Fig.2

