

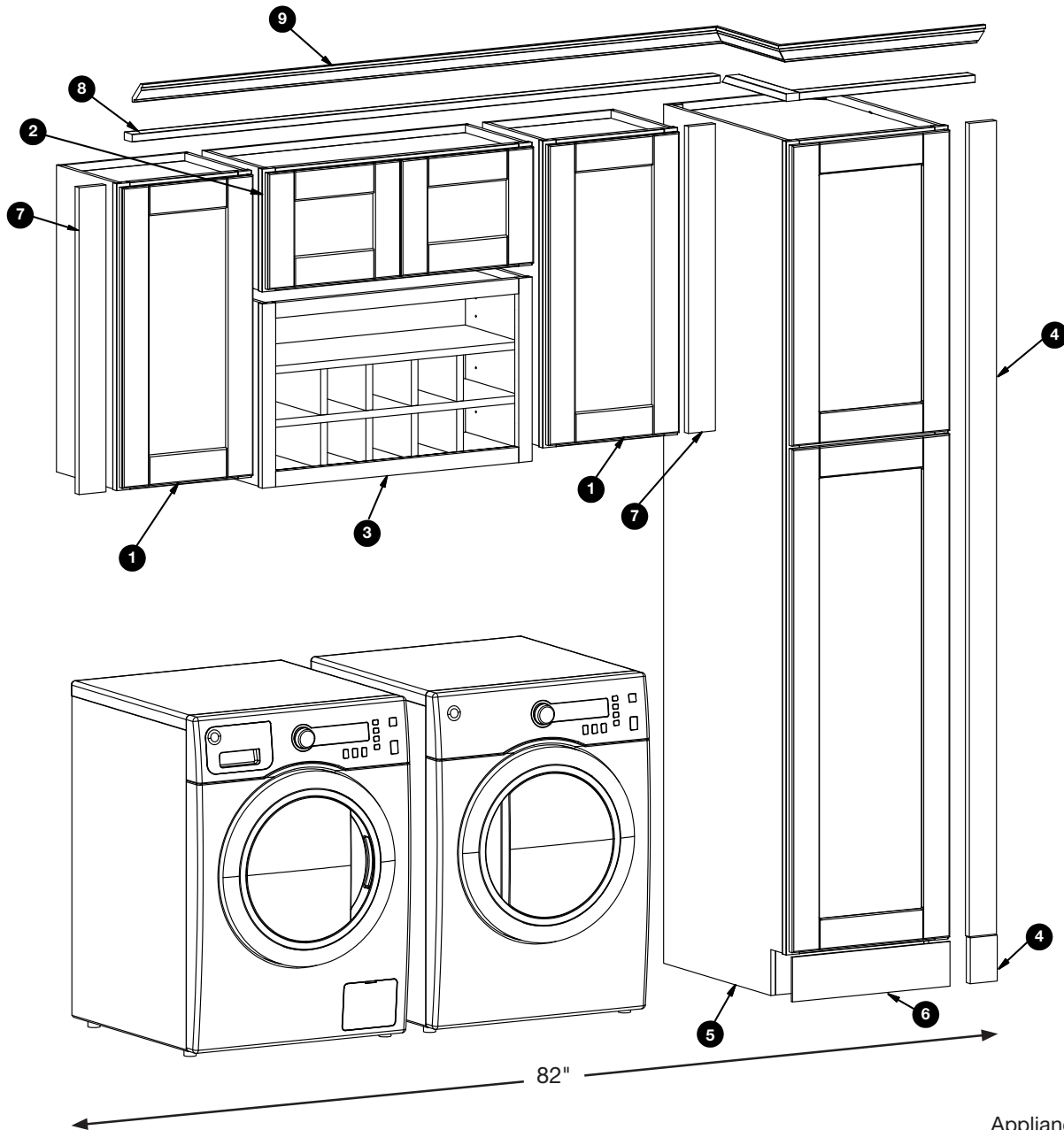


82" LAUNDRY KIT

0418

CONTENT DIAGRAM – EXPLODED VIEW

This diagram shows the pieces used to create a 82" wide laundry cabinet combination with Hampton Bay cabinets. Dimension shown is representative of all items being installed together, as illustrated. Accessories such as fillers, toe kick(s) and molding(s) are packed loose and will need to be trimmed to appropriate lengths before installation. Please review the instruction manuals included with each cabinet, or contact a professional to ensure proper and safe installation. Mounting hardware and tools are not included with this kit.



Appliances sold separately

PARTS LIST							
ITEM	PART NUMBER	DESCRIPTION	QTY	ITEM	PART NUMBER	DESCRIPTION	QTY
1	KW1530	15"W X 30"H WALL CABINET	2	6	KATK	*TOE KICK	1
2	KW3012	30"W X 12"H WALL BRIDGE CABINET	1	7	KAFS330X	3"W X 30"H WALL FILLER	2
3	KWFC3018	30"W X 18"H FLEXIBLE WALL CABINET	1	8	KAMSQX	*SQUARE EDGE MOLDING	2
4	KAFS396X	3"W X 96"H WALL FILLER	1	9	KAMC4X	*SHAKER CROWN MOLDING	2
5	KP1884	18"W X 84"H PANTRY CABINET	1				

* Accessory comes in 91.5" lengths and needs to be trimmed down to appropriate length