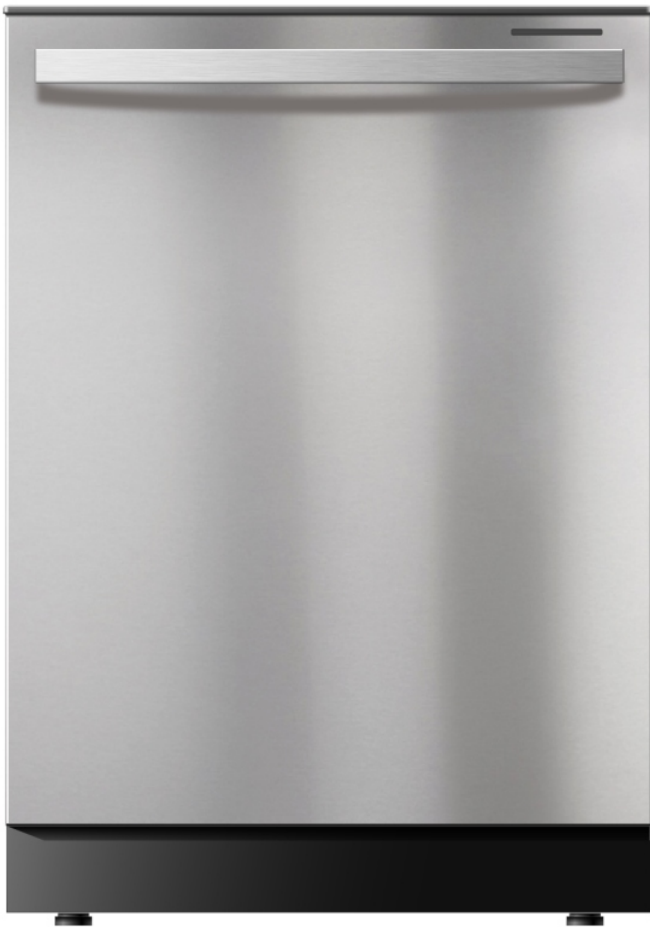


# Dishwasher

Use & Care Manual  
HDW2401ST



## Table of Contents

Important Safety Instructions .....	1
Features of your new dishwasher.....	2-4
Operating Instructions .....	5-10
Preparing and loading dishes .....	11-13
Care & cleaning .....	14-16
Troubleshooting .....	17-18
Installation instructions .....	19

# Important safety instruction

## WARNING

For your safety, please follow the information in this manual to minimize the risk of fire, explosion, electric shock, and to help prevent property damage or personal injury.

## Proper installation

Please install your dishwasher properly, follow the installation guide.

- Water supply inlet temperature should be between 120°F and 149°F.
- Dispose of the discarded appliance and packing material properly.
- The dishwasher must be properly grounded, or it can result in a risk of electric shock. PERMANENTLY CONNECTED and CORD-CONNECTED are both allowed.
- If there is any damage to the Dishwasher, please contact your Dealer, do not to attempt to repair or replace any part by yourself.

## Basic precaution before use

- Read all instructions before using the dishwasher.
- The manual does not cover every possible condition and situation that may occur .
- Use the dishwasher only for intended function as described in this manual.
- When loading items to be washed:
  - Load sharp items and knives so that they are not likely to damage the door seal and tub.
  - Load sharp items and knives with the handles up to reduce the risk of injury.
- Do not wash plastic items unless they are marked dishwasher safe. If not marked, check with manufacturer, for recommendation. Items that are not dishwasher safe may melt and create a potential fire hazard.
- If the dishwasher drains in to a food disposer, make sure disposer is completely empty before running dishwasher.
- Do not tamper with controls.
- Do not operate your dishwasher unless all enclosure panels are in the properly place.
- Do not touch the heating element during or immediately after use, especially if the sanitize option has been selected.
- To reduce the risk of injury, do not allow children to play in or on a dishwasher.
- Do not let children abuse, sit, or stand on door or racks of the dishwasher.
- Under certain conditions, hydrogen gas may be produced in a hot water system that has not been used for two weeks or more. HYDROGEN GAS IS EXPLOSIVE. If the hot water system has not been used for such a period, before using dishwasher, turn on all hot water faucets and let water flow from each for several minutes. This will release any accumulated hydrogen gas. Hydrogen gas is flammable. Do not smoke or use an open flame during this time.
- Do not store or use combustible materials, gasoline or other flammable vapors and liquids in the vicinity of this or any other appliance.
- Use only detergents or rinse agents recommended for use in a dishwasher and keep them out of the reach of children.
- Keep young children and infants away from dishwasher when it is operating.
- Do not use the dishwasher if it has a damaged power line or plug, and do not plug the dishwasher into a damaged outlet. Failure to observe these instructions may result in electrical shock.
- Remove the door to the washing compartment when removing an old dishwasher from service or discarding It.

**SAVE THESE INSTRUCTIONS**

# Features of your new dishwasher

## Specification

Capacity	14 place settings
Dimension	23.8 x 25.2 x 33.8 inches (W x D x H)
Power Supply	120volts, 60Hz
Rated power usage	Wash motor 50W Heater 840W
Water Feed Pressure	20 ~ 120 psi (138 ~ 828kPa)



**1** Top light

**2** Upper Spray Arm

**3** Middle Spray Arm

**4** Vortex wash arm (Located on the left side of tub)

**5** Lower Spray Arm

**6** Detergent Dispenser

**7** Rinse Aid Dispenser

**8** Cup Shelf

**9** Adjustable Upper Rack

**10** Tub Gasket

**11** Bottom Rack

**12** Heating Element

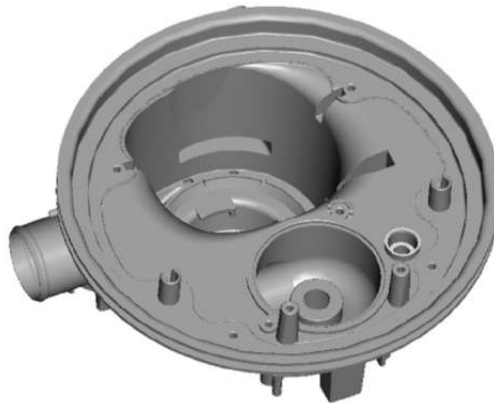
# Features of your new dishwasher

## Features

### Filter System

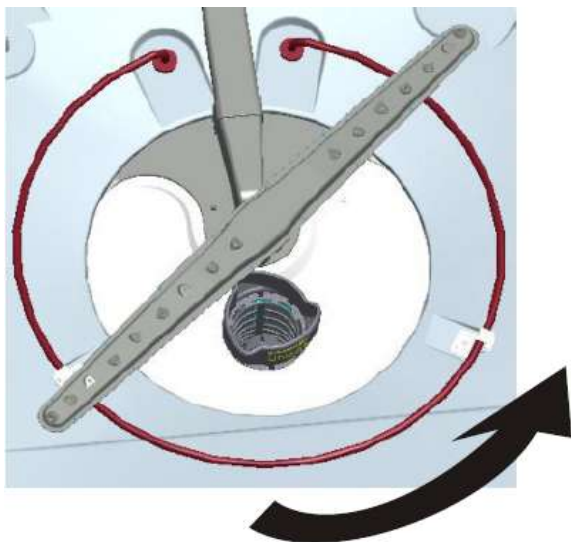
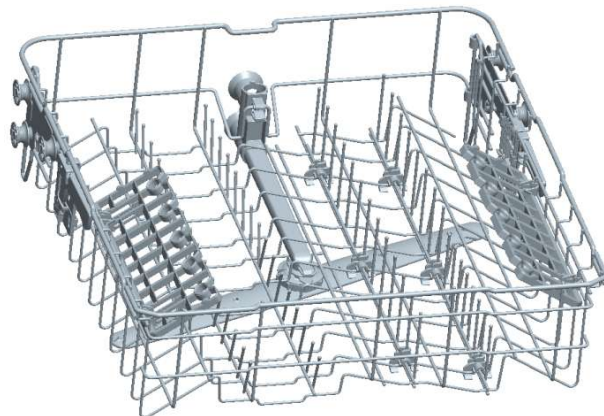
Your dishwasher has a multiple Filter System. In the system there are four mesh filters. It can separate soiled water and clean water in different chambers.

The multiple filter system helps your dishwasher to get better performance with less water and less energy.



### Smart Wash System

Your dishwasher has a Smart Wash System. When a partial load of lightly soiled dishes is placed in the unit, a wash cycle similar to a short wash will automatically be performed. When a full load of heavily soiled dishes is placed in the unit, a heavy wash cycle will automatically be performed. It can determine the type of cycle required to clean the dishes and will clean more efficiently every time.



# Features of your new dishwasher

## How your dishwasher cleans

Your dishwasher cleans by spraying a mixture of hot water and detergent through the spray arms against soiled surfaces .

The dishwasher fills with water covering the filter area. Water is then pumped through the multiple filter and spray arms. Separated soil particles go down the drain as the water is pumped out and replaced with clean water.

The number of water fills will vary with the cycle being used.

## Getting Started

1. Load the dishwasher (See Dish Preparation and Loading sections).
2. Add detergent (See Filling the detergent dispenser).
3. Add rinse aid (See Filling the rinse aid dispenser).
4. Select desired CYCLE (See Cycle Chart).
5. Select desired OPTIONS (See Control Panel). The indicator light above the pad will glow when selected.
6. Run the hot water faucet nearest the dishwasher until the water is hot, then turn it off.
7. To start, press Start/Cancel (See Control Panel).
8. Close door to latch.

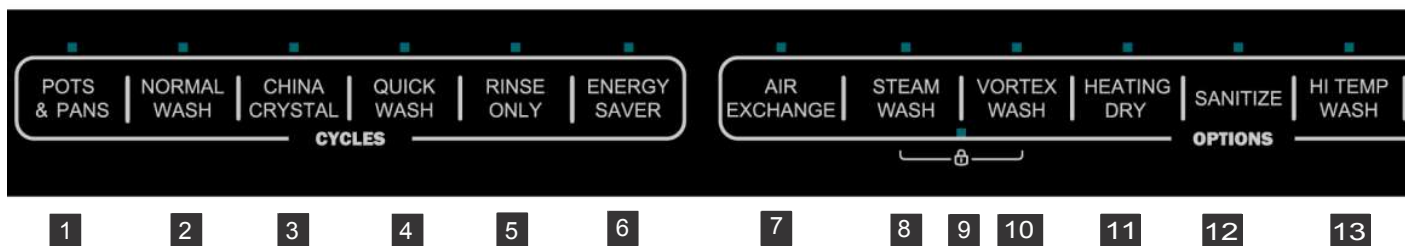
### Note:

1. Your dishwasher has the controls mounted on the top of the door. The door should be opened first if you want to operate the machine.
2. To start a cycle the door must be closed within 4 secs after pressing Start/Cancel.

## Wash Cycle Selections

Cycle times are approximate and will vary with the options selected. Hot water is necessary to activate the detergent and melt fatty food soils. An automatic sensor will check the incoming water temperature. If it is not at the appropriate temperature the timer will delay the cycle to allow automatic water heating during the main wash. When the HI-TEMP wash is selected an even higher temperature will be assured to handle heavier soil loads.

# Control panel



## Wash Cycle Selections

- 1** Pots & PANS  
This cycle is for hard-to-clean, heavily soiled dishes, pots, pans, and dishes.
- 2** Normal wash  
This cycle is for regularly soiled dinner dishes or silverware.
- 3** China crystal  
This cycle is for lightly soiled china and crystal.
- 4** Quick wash  
This cycle is for lightly soiled and pre-rinsed dishes and silverware.
- 5** Rinse only  
This cycle is for pre-rinsing dishes or glasses. This is only a rinse that keeps food from drying on your dishes and reduces odor buildup in your dishwasher until you are ready to wash a full load. Do not use detergent.
- 6** ENERGY SAVER  
For light soiled or pre-rinsed dishes and silverware.

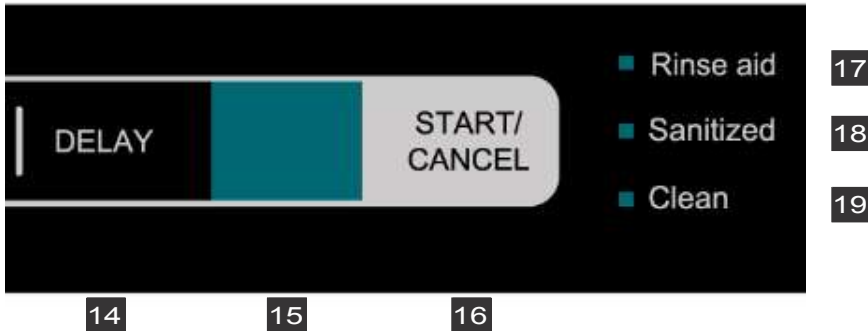
## Functions

- 7** Air exchange  
Select the “Air exchange function, the dishwasher will exchange the air every 6 hours to keep the air in the dishwasher fresh.
- 8** Steam wash  
For use with heavily soiled items, this STEAM Option adds 30 minutes to the cycle time. The option is available with the cycles of “POTS & PANS” and “Normal wash” .

- 9** Child lock section  
You can lock all controls to prevent children from accidentally changing the dishwasher cycle or starting the dishwasher. Press the “Steam wash” and the “Vortex wash” simultaneously to select or cancel the function. After the function is selected and the corresponding indicator light will turn on.
- 10** Vortex wash  
Use this option when you want to wash pots and pans, durable serving bowls, and other large, very dirty, hard to clean dishes. Place the dishes face down in the back left corner.
- 11** Heating Dry  
When the “Heating Dry” function is selected, the heater will work during the drying process.
- 12** Sanitize  
To sanitize your dishes and glassware, select this option. When the “Sanitize” function is selected, the temperature of water will be maintained at 70°C (158°F) max. The max temperature may not be reached if the incoming water temperature is not correct. Certified residential dishwashers are not intended for licensed food establishments. The sanitize cycle is NSF certified.  
  
Note: The sanitize option is available with " POTS & PANS" " NORMAL WASH" and " ENERGY SAVER" cycles.
- 13** Hi Temp Wash  
When the “Hi Temp wash” function is selected, the temperature of the water will be maintained at 60°C (140°F) max.

# Operating the dishwasher

## Functions



**14 Delay**  
To delay the start of a selected cycle, press the Delay Start pad until the desired delay time shows in the LED display. You can delay the start for 1 to 24 hours. To cancel the delay start option before the delay period is over, press the Start/Cancel pad for 3-5 seconds. Then press the Start/Cancel key and close the door.

**15 Display window**  
This displays the remaining hours and minutes of the running cycle, delay hours and error codes etc.

**16 Start/Cancel**  
Select the wash cycle and options desired. The indicator light above the pad will turn on. To start, press the Start/Cancel key once and close the door firmly. The light will flicker and the wash cycle will begin. To cancel once the dishwasher is running, carefully open the door enough to access the controls and press Start/Cancel once. The dishwasher will start a 60 second drain sequence and then shut off. You may then open the unit and/or select a new cycle. When opening the door, use caution as there is a possibility of injury from hot steam from the unit. If the door is opened while the dishwasher is running, a safety switch stops the cycle. You may add more dishes before the main wash starts. Open the door and check the detergent dispenser. If the main wash section of the dispenser is still closed, you can add items.

**17 Rinse aid indicator light**  
Illuminates when rinse aid needs to be added.

**18 Sanitized**  
Illuminates when the Sanitize cycle has been run.

**19 Clean indicator light**  
Illuminates after a cycle is finished. When the door is opened, the light will turn off after 30 seconds.

## Cycle progress indicator

Located on ride side of the front of the dishwasher , these lights indicate how far along is the current wash cycle while the dishwasher is running.



<b>1</b> WASH	When the dishwasher is in a wash or rinse portion of a cycle, the Wash lights are illuminated.
<b>2</b> DRY	When the dishwasher is in a drying portion of a cycle, the Wash and Dry lights are illuminated.
<b>3</b> CLEAN	After the dishwasher has completed all portions of a cycle, all indicator lights are illuminated. If you open the door when the Cleaning lights are illuminated, all the portion lights will turn off after 30 seconds.

# Operating the dishwasher

## Status Window

H:01- H:24

If the Delay Start option is selected, the number of delay start hours shows in the status window.

2:15-0 :00

After the machine starts operation, the remaining time of the selected cycle will be shown in the window.

## Error indication

In certain situations which are critical to the machines function and safe operation, the controls shall shut down and indicate an error code (See Error Codes on page 18).

If Error codes are displayed, contact the dealer or services. They will be able to provide assistance in trouble shooting the problem and or locate an authorized servicer technician if needed.

## NOTE

The remaining time could suddenly increase or drop several minutes. This means the Smart Sensor has checked the soil level and determined if additional water fills are needed or if water fills can be deleted.

## Cycle Chart

Program	Description of Cycle	Water ( L/G )	Cycle time ( min )
POTS & PANS	Pre Wash	6G	140
	Pre Wash		
	Wash(48°C 118.4°F)		
	Rinse		
	Rinse		
	Rinse(58°C 136.4°F)		
NORMAL WASH	Drying	2.85~6.1G	105~135
	Pre Wash		
	Auto(42~48°C 107.6~118.4°F)		
	Rinse(50~58°C 122~136.4°F)		
CHINA CRYSTAL	Drying	5.1G	120
	Pre Wash		
	Pre Wash		
	Wash(48°C 118.4°F)		
	Rinse		
	Rinse(58°C 136.4°F)		
QUICK WASH	Drying	4.1G	60
	Pre Wash		
	Wash(40°C 104°F)		
	Rinse(50°C 122°F)		
RINSE ONLY	Rinse Only	2.11G	20
ENERGY SAVER	Drying	5.1G	105
	Rinse(50°C 122°F)		
	Rinse		
	Wash(40°C 104°F)		
	Pre Wash		



# Preparing and Loading Dishes

## Adjustable Upper Rack

The upper rack height can be easily adjusted to accommodate loading taller dishes in either rack. To accommodate taller dishes in the bottom rack, there are 2 positions available:

### 1. Lift the rack for upper position



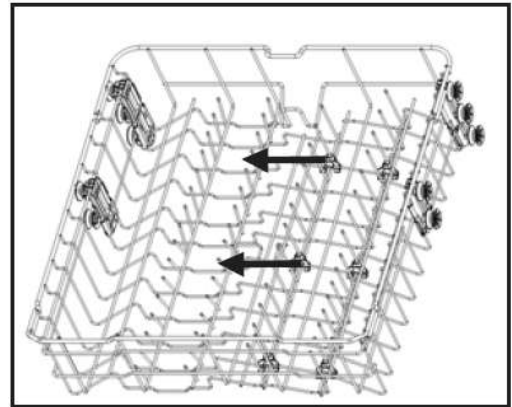
The upper rack in the upper position



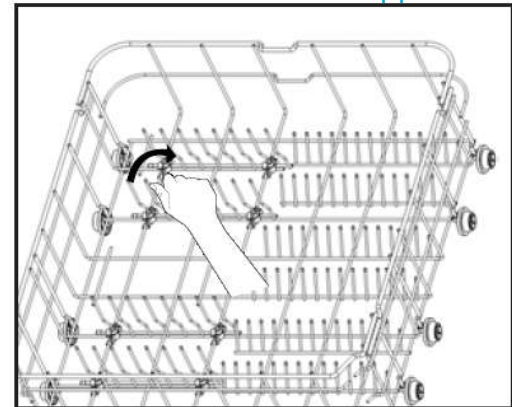
### 2. Up press the handle to lower the rack



The upper rack in the lower position



Upper rack



Lower rack

## Dish Preparation

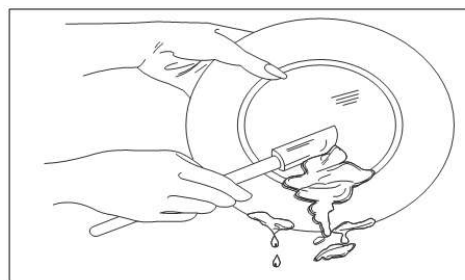
Scrape away large pieces of food, bones, pits, toothpicks, etc. The continuously filtered wash system will remove the remaining food particles. Burned-on foods should be loosened before loading.

Empty liquids from glasses and cups.

Foods such as mustard, mayonnaise, vinegar, lemon juice and tomato based products may cause discoloration of stainless steel and plastics if allowed to sit for a long period of time.

Unless the dishwasher is to be operated at once it is best to rinse off these food soils.

If the dishwasher drains into a food disposer, be sure disposer is completely empty before starting dishwasher.



### Note:

Height should be adjusted without dishes in the racks.

# Preparing and Loading Dishes

## Loading the Upper Rack

The upper rack is designed for cups, glasses, small plates, bowls and plastic items marked dishwasher safe etc.

For best results, place the bowls, cups, glasses, sauce pans with soiled surface facing down or toward the center. Tilt slightly for better drainage.

## Loading the Bottom Rack

The bottom rack is designed to load plates, soup bowls, saucers and cookware. The adjustable rack space will allow you to load items with a maximum height of 13 inches.

The fold-down tines in the bottom rack make it easy to load those extra large and hard-to-fit items. The tines may be left up for normal use or folded down for more flexible loading. Fold down for more space to load large pots or pans.

## Loading the Cutlery Rack

Cutlery should be placed in the cutlery rack separately from each other in the appropriate positions. Make sure the utensils do not rest together as this may cause poor cleaning performance. For top quality cleaning, place the silverware in the basket making sure that:

- They do not nest together.
- Silverware is placed with the same direction.
- Place long utensils in the middle.



Make sure the loaded dishes do not interfere with the rotation of the middle spray arm, which is located at the bottom of the upper rack. (Check this by rotating the middle spray arm by hand.)



Large items should be placed along the edge so they do not interfere with the middle spray arm rotation, and make sure they not prevent the detergent dispenser from opening. Large items should be turned so that the inside faces downward, and make sure these items do not interfere with the lower spray arm rotation.

# Preparing and Loading Dishes



Cutlery Rack 8 place settings



Upper Rack 8 place settings



Bottom Rack 8 place settings



Cutlery Rack 12 place settings



Upper Rack 12 place settings



Bottom Rack 12 place settings



Cutlery Rack 14 place settings



Upper Rack 14 place settings



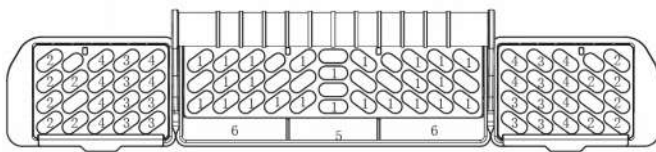
Bottom Rack 14 place settings

# Preparing and loading dishes

## Loading the Silverware Basket

The silverware basket can be divided into three separate modules that can be used in both upper and lower racks

1. Spoons
2. Knives
3. Salad forks
4. Forks
5. Large spoons
6. Large forks



## WARNING

1. Do not let items extend through bottom.
2. Be sure nothing protrudes through bottom of the basket or rack to block the lower spray arm

## Adding A Dish

To add or remove items after wash cycle starts:

1. Open door slightly and wait a few seconds until wash action stops before completely opening.
2. Add the item.
3. Press the Start/Cancel
4. Close the door firmly to latch within 4 secs, then cycle will automatically resume.



## CAUTION

**TO AVOID BURN INJURY:** Slightly open door and wait until spray arms and wash action stop. Hot water may splash out of dishwasher. Failure to do so may result in injury.

## Filling the rinse aid dispenser

**RINSE AID GREATLY IMPROVES DRYING AND REDUCES WATER SPOTS AND FILMING. WITHOUT RINSE AID YOUR DISHES AND DISHWASHER INTERIOR WILL HAVE EXCESSIVE MOISTURE.**

The Heated Dry option will not perform as well without rinse aid. The rinse aid dispenser, located next to the Detergent cup, automatically releases a measured amount of rinse aid during the last rinse.

If spotting and poor drying is a problem, increase the amount of rinse aid dispensed by rotating the dial to a higher number. The dial is located under the dispenser cap.

If the rinse aid is low, the Rinse Aid light is illuminated at the beginning and end of the cycle indicating that it is time to refill.

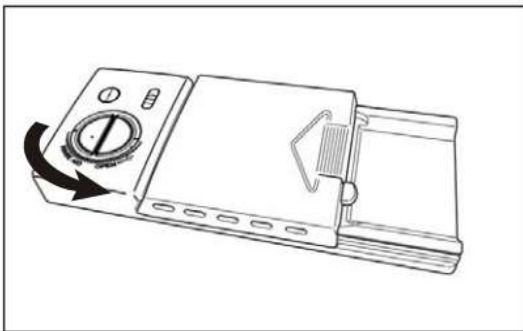
# Preparing and loading dishes

## Filling the rinse aid dispenser

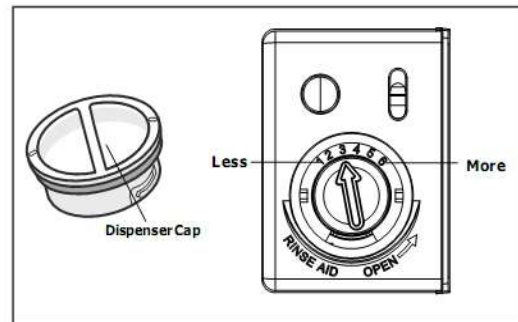


Your dishwasher is designed to use a liquid rinse aid. The use of rinse greatly improves drying performance after the final rinse. Do not use a solid or bar-type rinse aid. Under normal conditions, the rinse aid will last approximately one month. It is best to keep it full, but do not over fill.

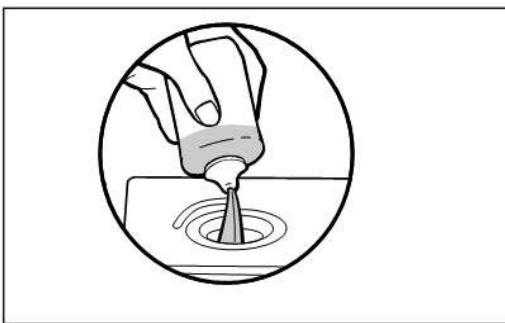
1. Open the door, turn the dispenser cap counterclockwise, press the tab on the lower right side and slide it back.



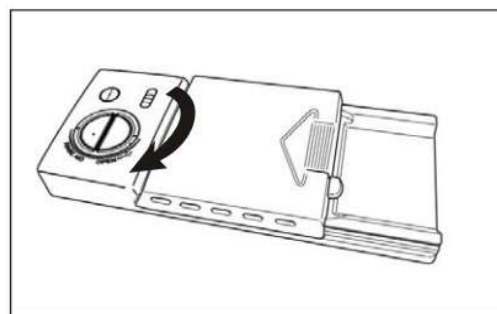
3. You can adjust the amount of the rinse aid released during the rinse operation. The greater number indicates a larger amount of rinse aid is to be released.



2. Add rinse agent until the indicator reads Max.

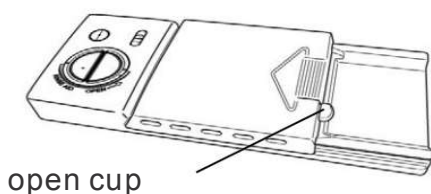


4. Replace the dispenser cap.

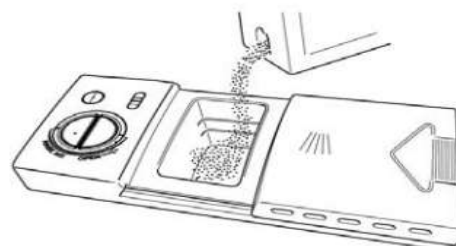


## Filling the detergent dispenser

1. Push the dispenser cover latch down and slide open the cover.

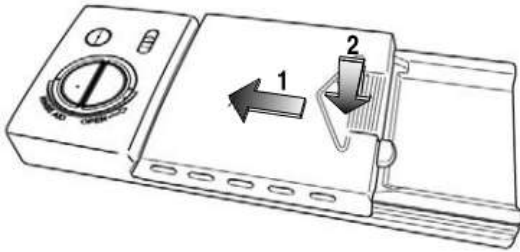


2. Add the detergent to the main wash compartment.



# Preparing and loading dishes

1. Push the dispenser cover latch down and slide the cover closed.



The amount of the detergent needed depends on the cycle and soil level of dishes, refer to the table below and adjust the recommended amount as necessary for your load.

Cycle	Soft Water (0- 3 Grains )	Medium Hard Water (4- 8 Grains )	Hard Water (9-12 Grains)	Very Hard Water* (Over 12 Grains)
Auto wash, Heavy wash, Regular wash, ECO wash	2 Teaspoons (Main Wash Cup-1/4Full- to 1st line)	5 Teaspoons (Main Wash 1/2 Cup-fill to top line)	8 Teaspoons (Main Wash Cup Completely Full)	Each Cup - Completely Full (Water Softener Recommended)
Quick wash	2 Teaspoons (Main Wash Cup-1/4Full- to 1st line)	5 Teaspoons (Main Wash 1/2 Cup-fill to top line)	8 Teaspoons (Main Wash Cup Completely Full)	Main Wash Cup - Completely Full (Water Softener Recommended)
Rinse	No Detergent	No Detergent	No Detergent	No Detergent (Water Softener Recommended)

# Care & cleaning

## Cleaning the exterior door and panel

### 1. Stainless steel panel

Clean the stainless steel door and handle regularly with a soft cloth to remove dirt, oils, and debris. Certain cleaners and chemicals can damage the natural protective layer on the stainless steel and cause corrosion and pitting. Especially avoid any cleaners with bleach or disinfectants.

Do not use appliance wax, polish, bleach or products containing chlorine to clean the stainless steel door.

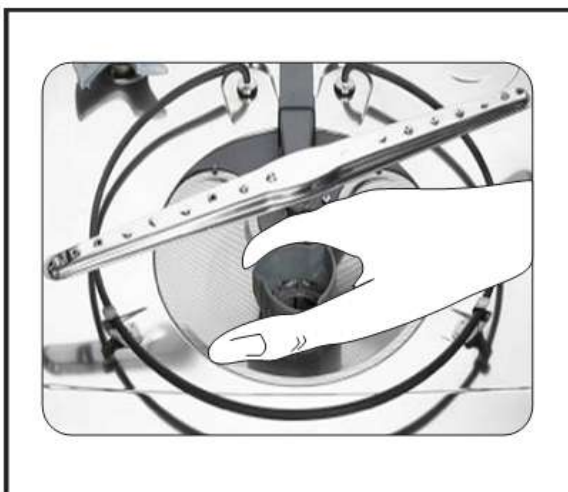
## Clean the Stainless Steel Inner Door and Tub

The tub is made of Stainless Steel, it will not rust or corrode under normal household use.

## Clean the Cylinder Filter

The Cylinder Filter is designed to collect large items such as broken glass, bones and pits. The Cylinder Filter needs to be regularly cleaned to maximize wash performance.

Remove the bottom rack, rotate the cylinder filter as shown, lift it out, empty and clean it by holding it under running water and replace.



### 2. Control panel

Gently clean the control panel with a lightly dampened cloth.



Clean the spots on the steel inner door and tub with a damp nonabrasive cloth.



## WARNING

Burn Hazard

Allow heating element to cool before cleaning the interior.

Failure to do so can result in burns.



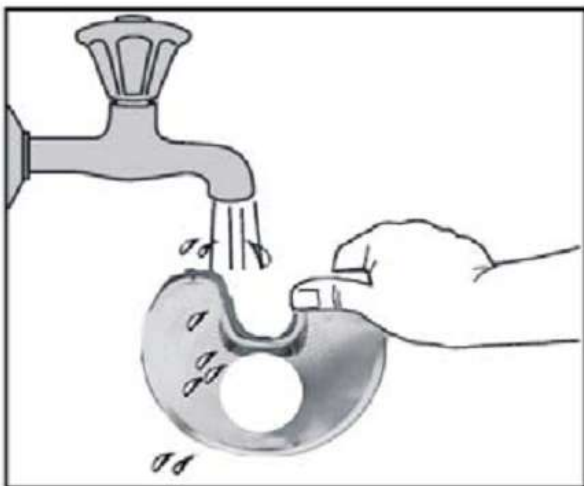
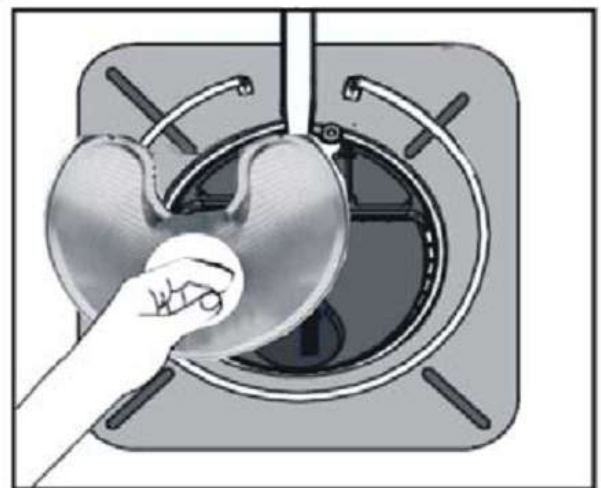
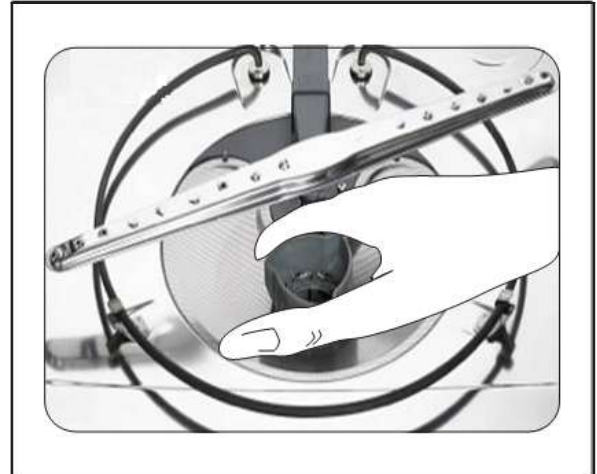
# Care & cleaning

## Clean the Fine Filter

To remove the Mesh Filter, you must first remove the cylinder filter .

Take out the Cylinder Filter and remove the Mesh Filter from the dishwasher tub bottom as shown below.

Flush the Fine Filter by holding it under running water and replace.

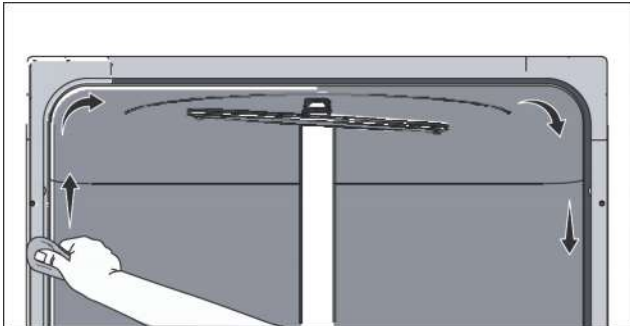




# Care & cleaning

## Clean the door gasket

Clean the door gasket with a damp cloth to remove food particles regularly.

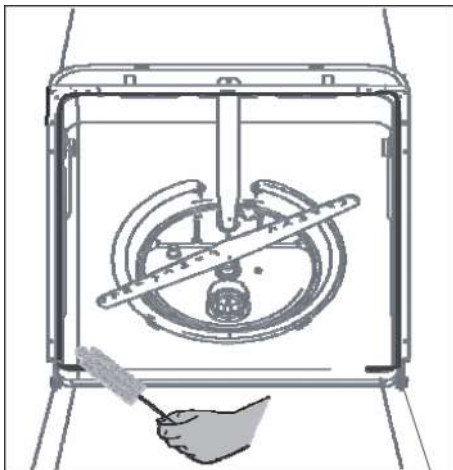


## Air gap

If there is an air gap installed with your dishwasher, make sure it is clean so the dishwasher will drain properly. Air gap is not part of your dishwasher. Before you clean the air gap, turn off the dishwasher firstly and lift off the cover. Remove the plastic cap and clean with a toothpick.

## Inside

The inside of the dishwasher is self-cleaning with normal use. If needed, clean the tub gasket with a damp cloth and use a soft bristled brush similar to the ones shown below to clean the opening in the end of the gasket.



## Protect against freezing

Your dishwasher should be protected from freezing properly if it was left in an unheated place. Have a qualified person do the following:

To Disconnect Service:

1. Turn off electrical power to the dishwasher at the supply source by moving fuses or tripping circuit breaker.
2. Turn off the water supply.
3. Place a pan under the inlet valve. Disconnect water line from inlet valve and drain into pan.
4. Disconnect drain line from pump and drain water into pan.

To Restore Service:

1. Reconnect the water, drain and electrical power supply.
2. Turn on water and electrical power supply.
3. Fill both detergent cups and run dishwasher through a Heated-Wash cycle.
4. Check connections to make sure they do not leak.

# Troubleshooting

## Clean the door gasket

Problem	Possible cause	Solution
Dishwasher won't start	Dishwasher won't start	Shut the door completely, make sure it is latched
	Power supply or power line is not connected	Check and connect the power supply
	Delay Start option has been selected	Refer to Delay Start section in this manual to reset
	Child Lock activated (selected models)	Deactivate the child lock, refer to child lock section in this manual
Dishwasher beeps at the end of the cycle	It indicates the wash cycle finished, the dishwasher will beep	This is normal
Rinse Aid light on	The rinse aid level is low	Add rinse aid
Dishwasher operates too long	The dishwasher is connected to cold water	Check the dishwasher, make sure it is properly connected to the hot water supply
	The cycle time will vary	When heavy soil is detected, the auto, normal, and Pots & Pan cycle will automatically increase the cycle time
	The sanitize option is selected	When sanitize option is selected, the cycle time will be increased to meet the sanitized temperature request
Dishes are not clean enough	Water pressure is temporarily low	Use your dishwasher when the water pressure is normal
	The inlet water temperature is low	Make sure the dishwasher is connected to the hot water supply Try not use your dishwasher when hot water is being used elsewhere in the house
	Dishes are loaded too close together improper use of detergent	Load the dishes again as the manual Add detergent depending on the water hardness and the cycle you chose. Use fresh detergent
	The selected cycle is not suitable for food soil condition	Choose another cycle for longer washing time
	One or more of the spray arms is blocked	Make sure the spray arms can rotate freely
Dishes not drying enough	Rinse Aid setting is too low or the dispenser is low or empty	Fill rinse aid dispenser or increase the amount of rinse aid.
	Improper loading of dishes	Load the dishes again as the manual instructs.
	The cycle you chose did not include drying	Choose the proper cycle with drying
Spots and filming on dishes	Water hardness is too high	For extremely hard water install a water softener
	Improper loading of dishes	Load the dishes again as the manual indicates
	Old rinse aid is used	Use fresh rinse aid
	Rinse dispenser empty	Add rinse aid to the dispenser
Etching	Using too much detergent	Use less detergent if you have soft water
	The inlet water temperature exceeds 150°F	Lower the inlet water temperature

# Troubleshooting

Problem	Possible cause	Solution
Detergent left in dispenser cup	Detergent may be too old	Use fresh detergent
	Spray arm is blocked	Load the dishes, making sure the spray arms are not blocked
Detergent dispenser will not shut	Improper operation of the detergent cover	Add the detergent and rinse aid as indicated by the manual
Water remains in the dishwasher	Previous cycle has not finished or has been interrupted	Select the proper cycle explained in the manual
Dishwasher does not drain properly	Drain is clogged	Check the air gap if you have one. Make sure the disposer is empty if the dishwasher is connected to the disposer
	Drain hose is kinked	Make sure the drain hose is properly connected to the sink
Suds in the tub	Improper detergent is used	Make sure to use only the automatic dishwasher detergent
Dishwasher leaks	Excessive suds caused by using the improper detergent	Make sure to use only proper dishwasher detergent
	Dishwasher is not level	Level the dishwasher (see the installation manual)
Black or gray marks on dishes	Aluminum utensils have rubbed against dishes	Rearrange the dishes Make sure the inlet water is no less than 120H
Stained tub interior	Coffee and tea soil	Using an approved spot cleaner to remove the soil
	Reddish stain	Some tomato-based foods will cause this, use of the rinse only cycle right after loading will decrease the staining
Noises	Detergent cup opening\ Drain pump sound	This is normal
	A hard object has entered the wash module. When the object is ground up, the sound should stop	If the noise persists after a complete cycle, call for service.
Dishwasher won't fill	Water valve is turned off	Check if the water valve is turn on
	Door latch may not be properly seated	Make sure the door is closed

## Error Codes

When some malfunctions come on, the appliance will display error codes to warn you:

Codes	Meanings	Possible Causes
E1	Longer inlet time.	Faucet is not opened, water intake is restricted, or water pressure is too low.
E4	Water overflow into motor compartment.	Check to assure the machine is level. Verify the level of detergent used. Defective micro-switch or drain pump.
Ed	Signal error between the control board and the unit.	If this occurs repeatedly, call a servicer or your dealer.
E8	Failure of orientation of distribution valve.	Open circuit or break of distribution valve.
E9	Contact with a control button for more than 30 seconds.	Water or other substance/object on the control buttons.



### WARNING

- If overflow occurs, turn off the main water supply before calling a service.
- If there is water in the base pan because of an overflow or small leak, the water should be removed before restarting the dishwasher.

# INSTALLATION INSTRUCTIONS

Read the installation instructions clearly, and further more, pay attention to the follow lists:

- 1.the power-supply receptacle for the appliance shall be installed in a cabinet or on a wall adjacent to the under counter space in which the appliance is to be installed.
- 2.there shall be an opening through the partition between the compartments specified in (a) that is large enough for the attachment plug to pass through. The longest dimension of the opening shall not be more than 38 mm (1.5 in).
- 3.the edges of the opening specified in (b) shall, if the partition is wood, be smooth and rounded, or, if the partition is metal, be covered with an edge protector provided for this purpose by the manufacturer.
- 4.care shall be exercised, when the appliance is installed or removed, to reduce the likelihood of damage to the power-supply cord.

**NOTE:** A hose that attaches to a sink spray can burst if it is installed on the same water line as the dishwasher.

If your sink has one, it is recommended that the hose be disconnected and the hole plugged.