

Project		Catalog #		Type	
Prepared by		Notes		Date	



# HALO

## LT4 Direct Mount

4" LED Direct Mount Module  
600 Lumen Series

### Typical Applications

Residential

### Interactive Menu

- Order Information [page 2](#)
- Product Specifications [page 2](#)
- Energy Data [page 3](#)
- Photometric Data [page 3](#)
- Product Warranty

### Product Certification



Refer to ENERGY STAR® Certified Products List.  
Can be used to comply with California Title 24 High Efficacy requirements.  
Certified to California Appliance Efficiency Database under J48.

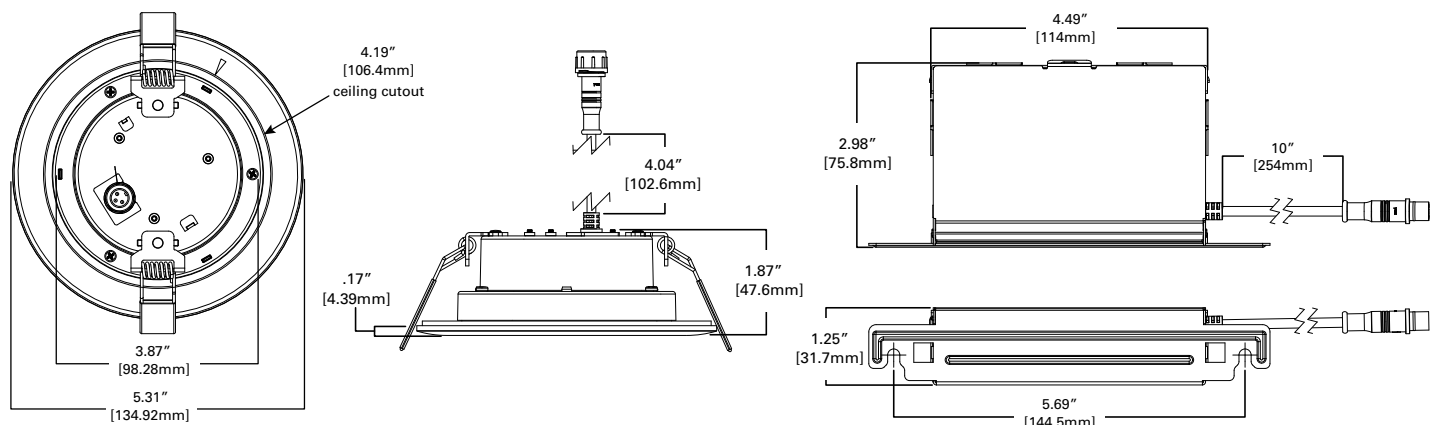
### Product Features



### Top Product Features

- Selectable CCT: 2700K, 3000K, 3500K or 3000K, 4000K, 5000K
- Smooth splay
- Direct mount – does not require recessed housing or junction box
- Dimmable down to 10%
- Perfect for new construction or remodel work

### Dimensional and Mounting Details



## Order Information

SAMPLE ORDER NUMBER: **LT4069FS351EWHDMR**

Module	Lumens	CRI/CCT	Driver	Finish	Mounting	Packaging
LT4 = 4-inch LED direct mount module	06 = 600 lumens (nominal)	9FS23 = 90 CRI min, 2700K, 3000K, 3500K selectable CCT 9FS35 = 90 CRI min, 3000K, 4000K, 5000K selectable CCT	1E = 120V 60Hz, LE & TE phase cut 10% dimming	WH = Matte White flange	DM = Direct Mount	R = Recyclable 4-color unit carton

### Accessories

Accessories
HL4RSMF = 4" round and square mounting frame
<b>Extension Cable   selectable Driver/Jbox</b>
HLB06FSEC = 6 ft. extension cable
HLB12FSEC = 12 ft. extension cable
HLB20FSEC = 20 ft. extension cable

## Specification Features

### Module

- LED module consists of LED array, optical assembly, driver and self-flanged trim
- Smooth splay style trim
- Achieving L70 at 35,000 hours in IC and non-IC applications
- Injection molded plastic construction is impact resistant and non-corrosive
- Non-conductive construction meets most local code 'dead front' requirements

### Gaskets

- Closed cell gasket achieves restrictive airflow requirements without additional caulking

### LED Array

- A plurality of low power LEDs provide a uniform source with high efficiency and long life
- Available in 90 CRI minimum, R9 greater than 50 and color accuracy within 4 SDCM provide color accuracy and uniformity
- Available in 3-color selectable CCT: choose 2700K, 3000K, 3500K or 3000K, 4000K, 5000K

### Optical Assembly

- Optical assembly provides wide distribution useful for general and task lighting
- Diffuse injection molded lens with contoured profile provides uniformity and a familiar lamp like appearance
- Meets ENERGY STAR® color angular uniformity requirements

### Junction Box

- Die formed metal driver / junction box with captive hinged junction box cover
- Listed for (6) #12 AWG 90° C splice conductors, 2-in, 2-out plus (2) ground
- (4) ½" conduit pry-outs
- Accepts 14-2, 14-3, 12-2, 12-3 U.S. and 14-2, 14-3, 12-2 Canadian NM cable
- (3) wire nuts for quick and reliable mains voltage connections
- Integral mounting facilitates direct mounting to building structure or mounting frame

### Driver

- Integral 120V 60 Hz constant current driver provides high efficiency operation
- Continuous, flicker-free dimming from 100% to 10% with select leading or trailing edge 120V phase cut dimmers – consult dimming guide for more information
- Consult dimmer manufacturer for compatibility and conditions of use

### Installation

- Can be installed in 3/8" to 1-1/4" thick ceilings
- Round ceiling cutout
- Heat treated springs hold fixture fitting securely in the ceiling eliminating light leaks
- Can be removed from below the ceiling for service or replacement

### Compliance

- UL Certified for US and Canada type IC suitable for direct contact with air permeable insulation
- Not recommended for use in direct contact with spray foam insulation, reference NEMA LSD57-2013
- Wet location listed and IP66 ingress protection rated
- Air-tite per ASTM-E283
- Suitable for use in clothes closets when installed in accordance with the NEC 410.16 spacing requirements
- EMI/RFI emissions per FCC 47CFR Part 15 consumer limits
- Contains no mercury or lead and RoHS compliant
- Photometric testing in accordance with IES LM79-08
- Lumen maintenance projections in accordance with IES LM-80-08 and TM-21-11
- Can be used for State of California Title 24 high efficacy LED compliance under JA8, reference Modernized Appliance Efficiency Database System (MAEDBS) for 2019 JA8 High Efficacy Lighting
- ENERGY STAR® certified, reference "Certified Light Fixtures" database

### Warranty

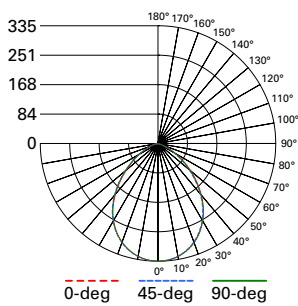
- Five year limited warranty, consult website for details. [www.cooperlighting.com/legal](http://www.cooperlighting.com/legal)

## Energy Data

LT4069FS231EWHDMR	
Lumens	600 Series
Input Voltage	120V
Input Current	72 (mA)
Input Power	7.5 (W)
Efficiency	93.3 (LPW)
Inrush (A)	1.74 A @ 56 μS
THD:	≤ 20%
PF:	≥ 0.90
T Ambient	-30° - +40°C
Sound Rating	≤ 22 dba

LT4069FS351EWHDMR	
Lumens	600 Series
Input Voltage	120V
Input Current	72 (mA)
Input Power	7.8 (W)
Efficiency	85.3 (LPW)
Inrush (A)	1.74 A @ 56 μS
THD:	≤ 20%
PF:	≥ 0.90
T Ambient	-30° - +40°C
Sound Rating	≤ 22 dba

## Photometric Data



### LT4069FS231EWHDMR - 2700K

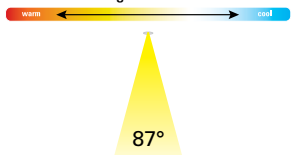
Spacing criterion: (0-180) 1.14  
(90-270) 1.14  
(Diagonal) 1.2

Beam Angle: 87°  
Lumens: 646  
Input Watts: 7.49 W  
Efficacy: 86.2 LPW  
UGR: 18.9  
Test Report:  
LT4069FS231EWHDMR.ies

Zonal Lumen	Lumens	% Lumens
0-30	248	38.4
0-40	388	60.1
0-60	588	91
0-90	646	100

TM-30-15	Rf = 91
	Rg = 97
CRI/CIE	Ra = 92.4
	R9 = 55.6

CCT - Range of 2700K- 5000K



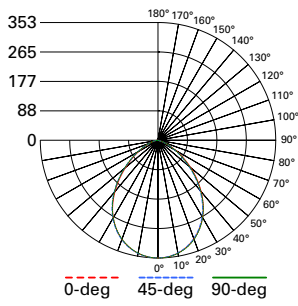
### LT4-DM 2700K / 3000K/ 3500K

CCT	Watts	lumens	LPW	CRI
2700K	7.9	620	78.5	92
3000K	7.5	700	93.3	93
3500K	7.9	690	87.3	91

### LT4069FS231EWHDMR - 3000K

PRODUCT SPECIFICATIONS	
Lumens	700
Watts	7.5
Lumens Per Watt (Efficacy)	93.3
Color Accuracy (CRI)	93
Light Color (CCT)	3000K
Correlated Color Temperature (CCT)	
warm white	soft white
2700K	3000K
4500K	6500K

## Photometric Data



### LT4069FS351EWHDMR - 3000K

Spacing criterion: (0-180) 1.14  
(90-270) 1.14  
(Diagonal) 1.2

Beam Angle: 87°  
Lumens: 681  
Input Watts: 7.57 W  
Efficacy: 89.9 LPW  
UGR: 18.9

Test Report:  
LT4069FS351EWHDMR.ies

Zonal Lumen	Lumens	% Lumens
0-30	262	38.4
0-40	409	60.1
0-60	620	91
0-90	681	100

TM-30-15	Rf = 91
	Rg = 97
CRI/CIE	Ra = 93.5
	R9 = 61.5

CCT - Range of 2700K- 5000K



87°

### LT4-DM 3000K / 4000K/ 5000K

CCT	Watts	lumens	LPW	CRI
3000K	7.8	665	85.3	93
4000K	7.4	715	96.6	94
5000K	7.8	685	87.8	93

### LT4069FS351EWHDMR - 3000K

PRODUCT SPECIFICATIONS	
Lumens	665
Watts	7.8
Lumens Per Watt (Efficacy)	85.3
Color Accuracy (CRI)	93
Light Color (CCT) Correlated Color Temperature (CCT)	3000K
	2700K 3000K 4500K 6500K