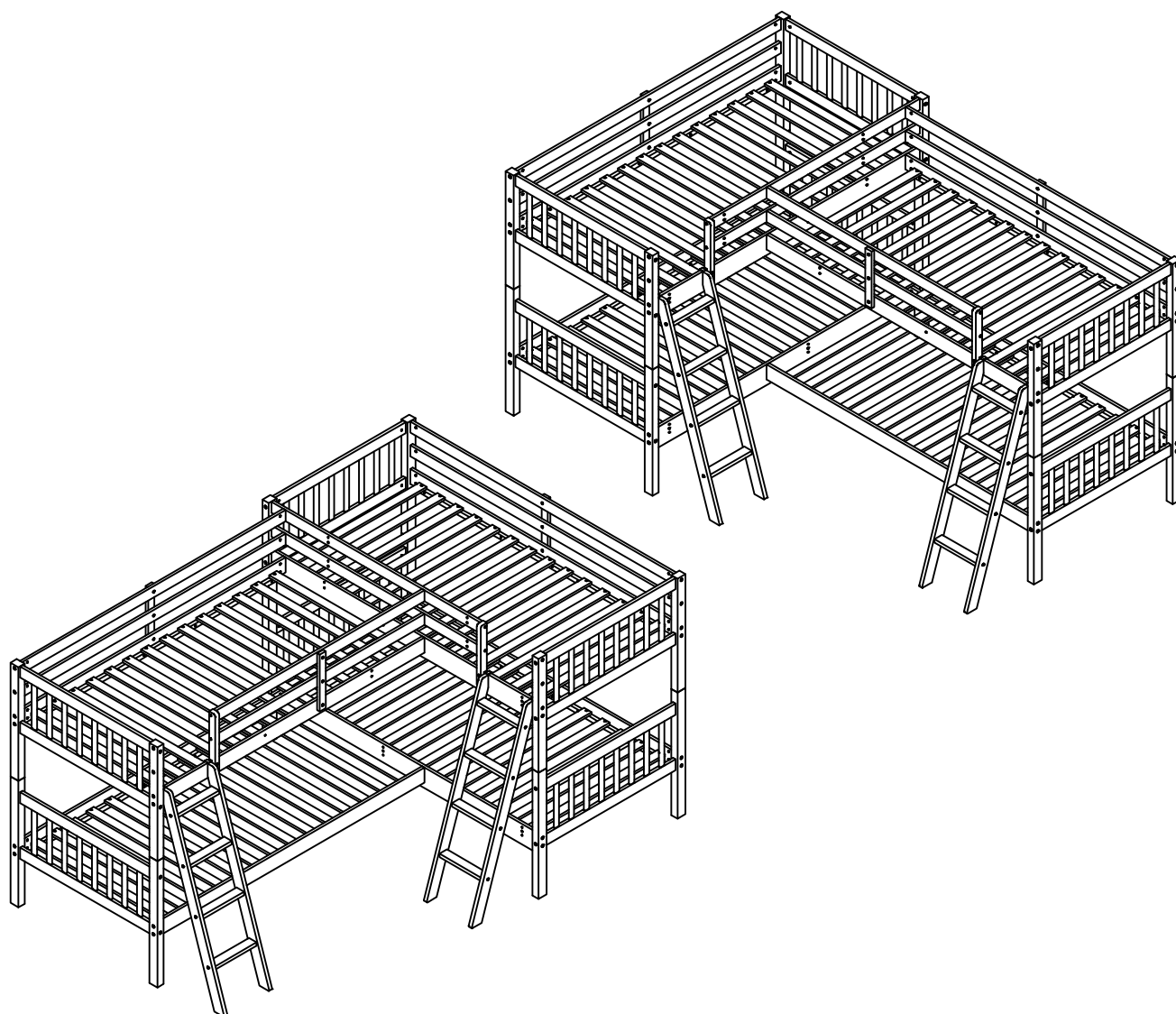


ASSEMBLY INSTRUCTIONS

L-SHAPED BUNK BED



WF286262/WF286263



SAFETY WARNING



1. This bed is designed for use only mattress (es) meeting the following specifications on the upper bunk, and lower bunk:

Down bed

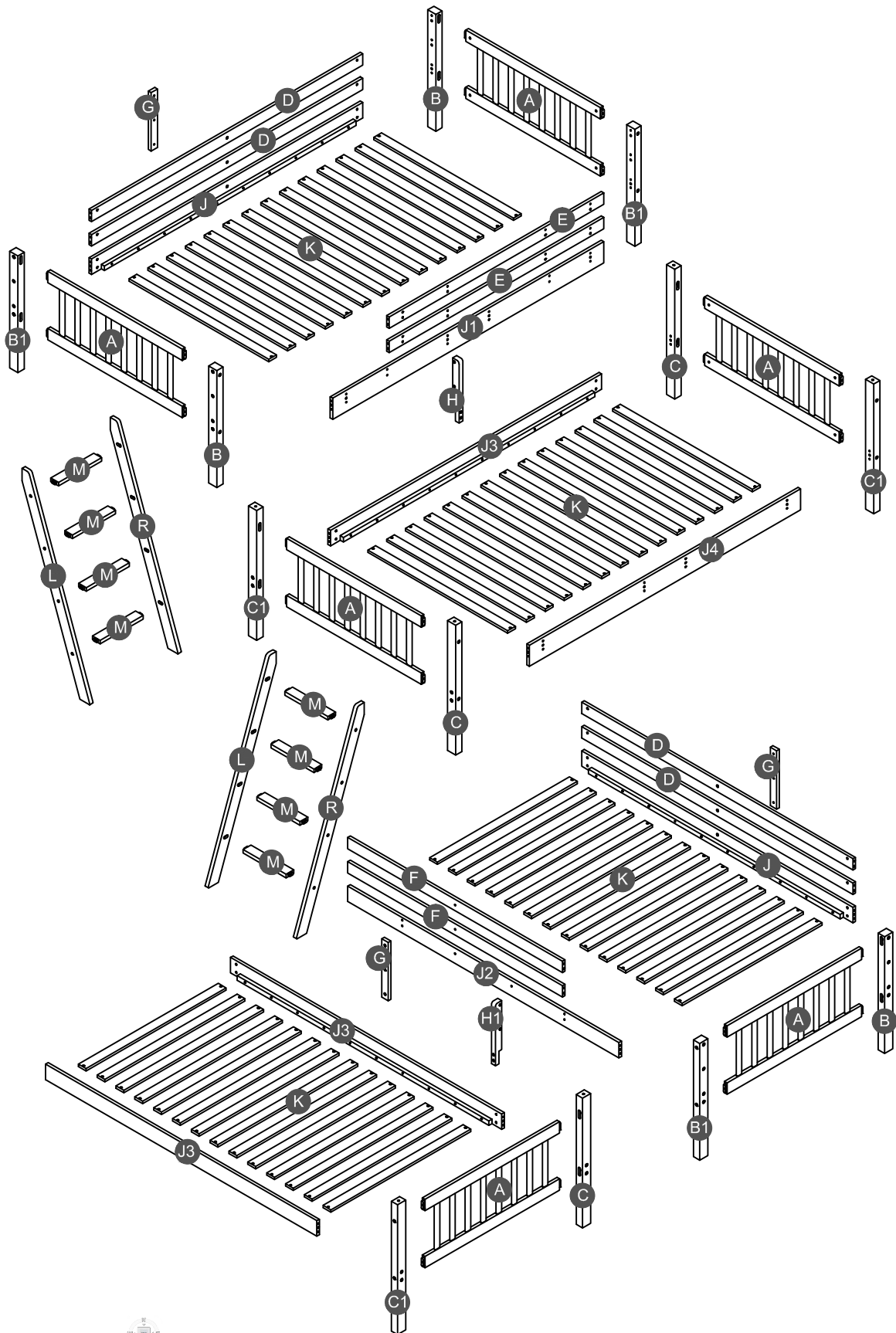
Bed type	Length	With	Thickness
Twin Standard	74"-75"	38 1/2"	8" max

Up bed (Bunk bed and tribed included)

Bed type	Length	With	Thickness
Twin Standard	74"-75"	38 1/2"	6" max


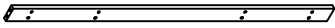
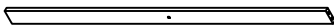



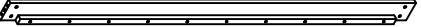

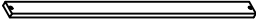
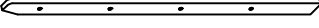
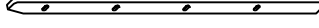
2. Replacement parts, including additional guardrails, maybe obtained from any of our (GIGACLOUD TECHNOLOGY (USA) INC.) dealers
3. Follow the information on the warnings appearing on the upper bunk bed end structure and on the carton. Do not remove warning label from bed.
4. Always use the recommended size mattresses or mattress supports, or both, to help prevent the likelihood of entrapment or falls.
5. Surface of mattress must be at least 5" (127mm) below the upper edge of guardrails.
6. Do not allow children under 6 years of age to use the upper bunk.
7. Periodically check and ensure that the guardrail, ladder, and other components are in their proper position, free from damage, and that all connectors are tight.
8. Do not allow horseplay on or under the bed and prohibit jumping on the bed.
9. Always use the ladder for entering and leaving the upper bunk.
10. Do not use substitute part. Contact the manufacture or dealer for replacement part.
11. Use of a night light may provide added safety precaution for a child using the upper bunk.
12. Always use guardrails on both long sides of the upper bunk. If the bunk bed will be placed next to the wall, the guardrail that runs the full length of the bed should be placed against the wall to prevent entrapment between the bed and wall.
13. The use of water or sleep flotation mattresses is prohibited.
14. STRANGULATION HAZARD - Never attach or hang items to any part of the bunk bed that are not designed for use with the bed; for example, but not limited to, hook, belts and jump ropes.
15. Keep these instruction for future reference.

Detail View

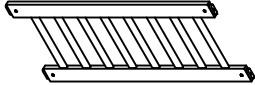
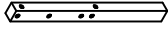

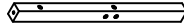
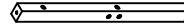
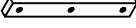

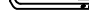
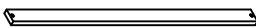
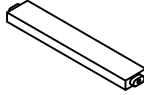


Part List

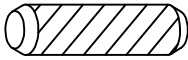
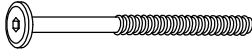
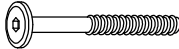
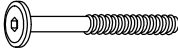


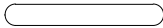

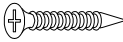
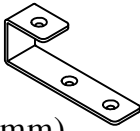
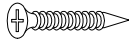
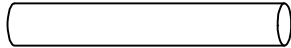
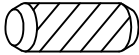

WF286262

D  Long guard rail-4pcs	E  Short guard rail-2pcs	F  Short guard rail-2pcs
J  Upper side rail (Back) -2pcs	J1  Upper side rail left (Front) -1pc	J2  Upper side rail right(Front)-1pc
J3  Lower side rail(front/back)-3pcs	J4  Lower side rail (front) -1pc	K  Upper slat - 28pcs
L  Ladder (Left) - 2pcs	R  Ladder (Right) - 2pcs	

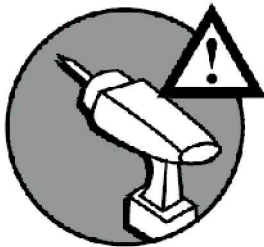
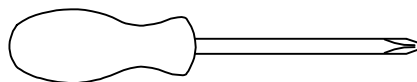
Hardware List WF286263

A  Upper/Lower HB/FB - 6pcs	B  Upper leg HB/FB (Left)-3pcs	B1  Upper leg HB/FB(Right)-3pcs
C  Lower leg HB/FB (Left)-3pcs	C1  Lower leg HB/FB (Left)-3pcs	G  Vertical guard rail - 3pcs
H  Support guard rail(Left) - 1pc	H1  Support guard rail(Right) -1pc	K  Lower slat - 28pcs
M  Step ladder - 8pcs		

Hardware List

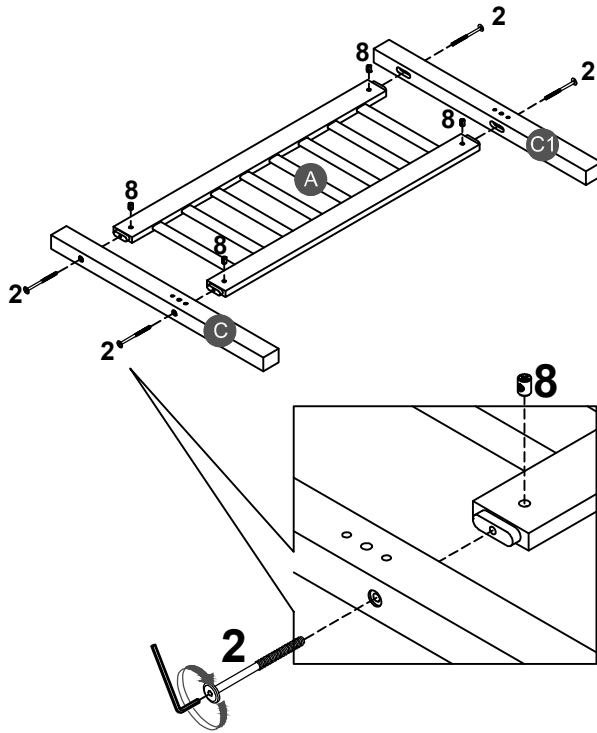
1  Ø10*40mm Wood dowel (16pcs)	2  (Ø15)1/4"*100mm Hex-Head bolts (56pcs)	3  (Ø15)1/4"*80mm Hex-Head bolts (16pcs)
4  (Ø12)1/4"*60mm Hex-Head bolts (16pcs)	5  (Ø12)1/4"*30mm Hex-Head bolts (9pcs)	6  (1/4")4.5*58mm Allen key (1pc)
7  90*17*2 mm Foam Stick (4pcs)	8  1/4"*15 (9.5mm) Horizontal-Hole bolts(88pcs)	9  Ø4*30mm Wood screws (48pcs)
10  80*28*20*(2mm) Hooks (4pcs)	11  Ø4*19mm Wood screws (12pcs)	12  Ø9*90mm Metal connector (6pcs)
13  Ø8*30mm Wood dowel (16pcs)	14  (Ø12)1/4"*35mm Hex-Head bolts (4pcs)	



ASSEMBLY TOOLS REQUIRED (NOT INCLUDED)



PLEASE BE CAREFUL DO NOT DAMAGE THE HOLE POSITION WHEN YOU USE POWER TOOLS !

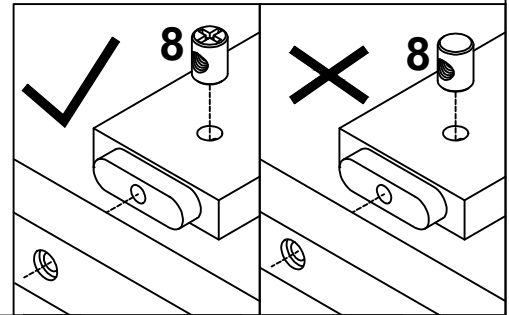
STEP 1:



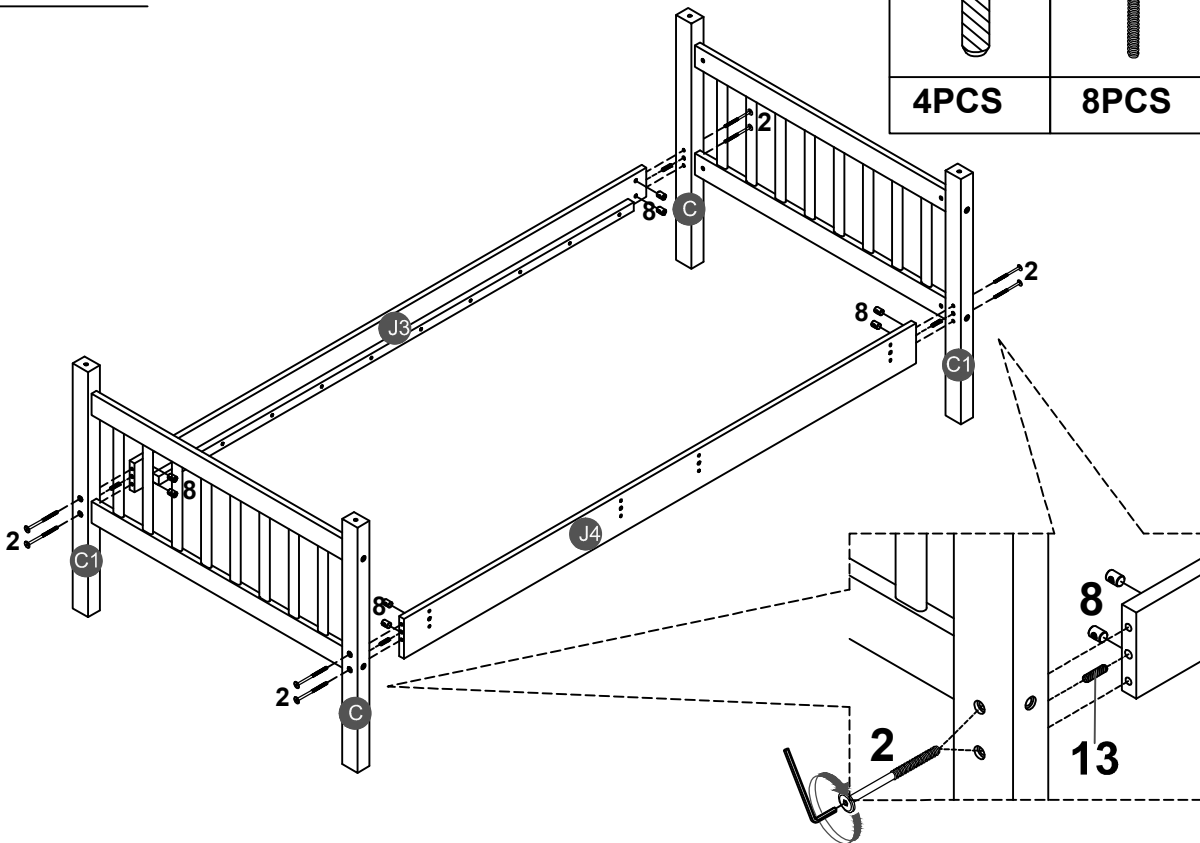
2 	8 
12PCS	12PCS




Note: Part 8 will face up with the "x" mark on it, otherwise it cannot be tightened

x 3

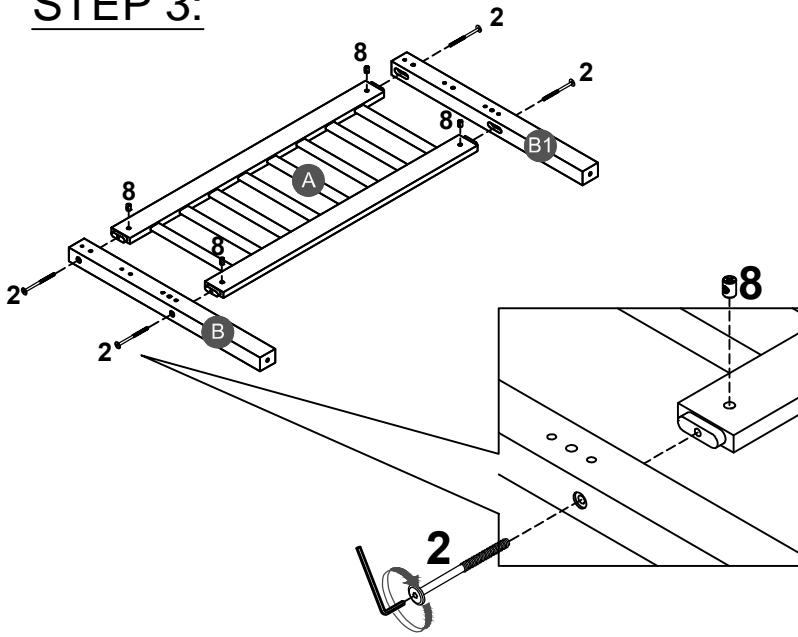




STEP 2:



13 	2 	8 
4PCS	8PCS	8PCS

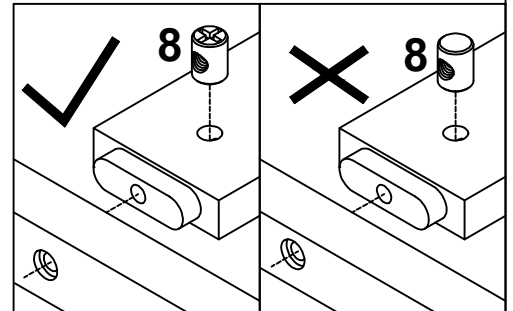
STEP 3:



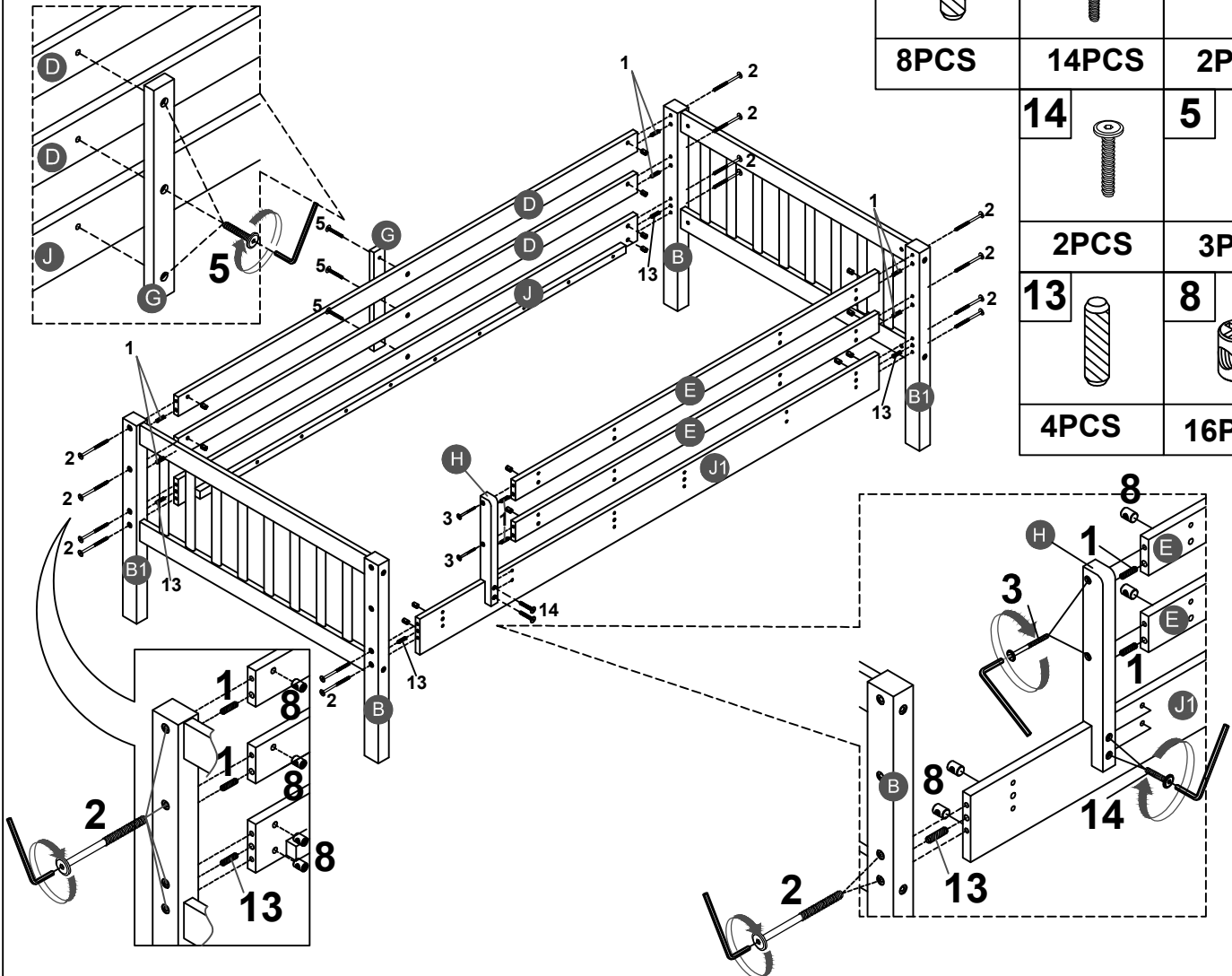
2 	8 
12PCS	12PCS








Note: Part 8 will face up with the "x" mark on it, otherwise it cannot be tightened

x 3

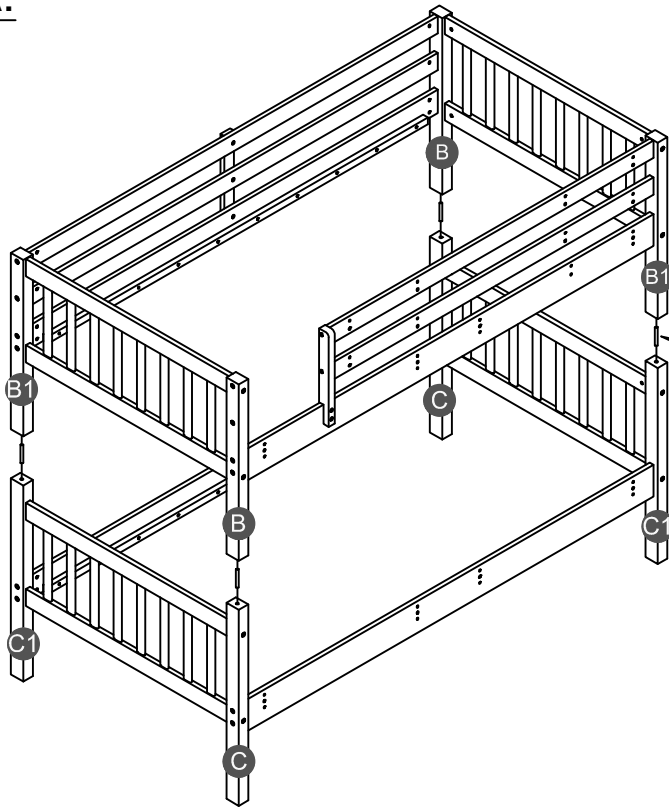


STEP 4A:



1 	2 	3 
8PCS	14PCS	2PCS
14 	5 	
2PCS	3PCS	
13 	8 	
4PCS	16PCS	

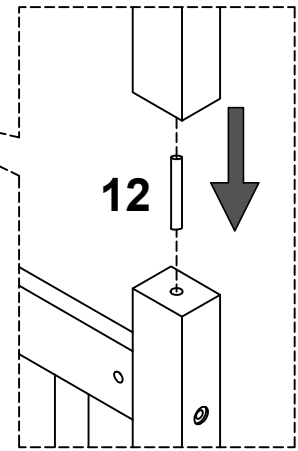
STEP 5A:



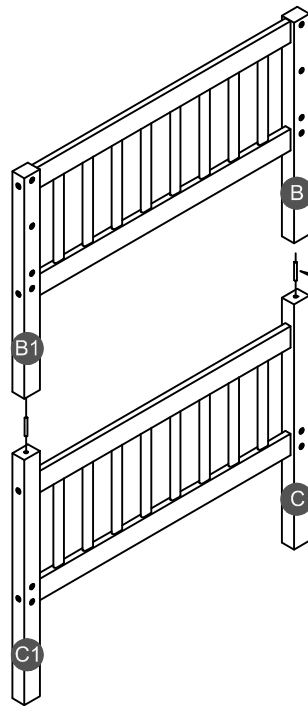
12



4PCS



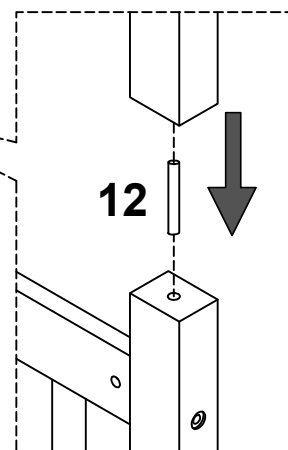
STEP 6:



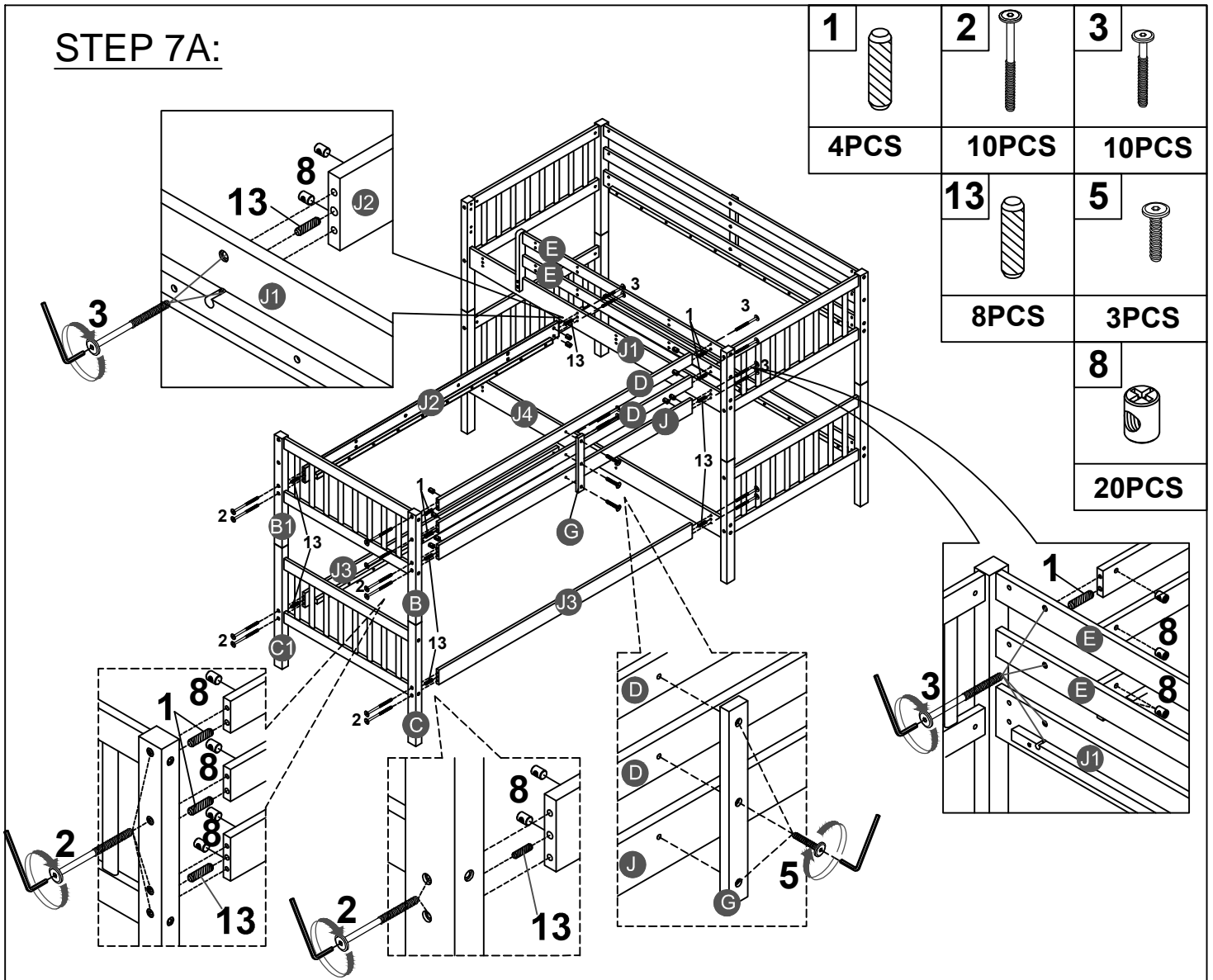
12



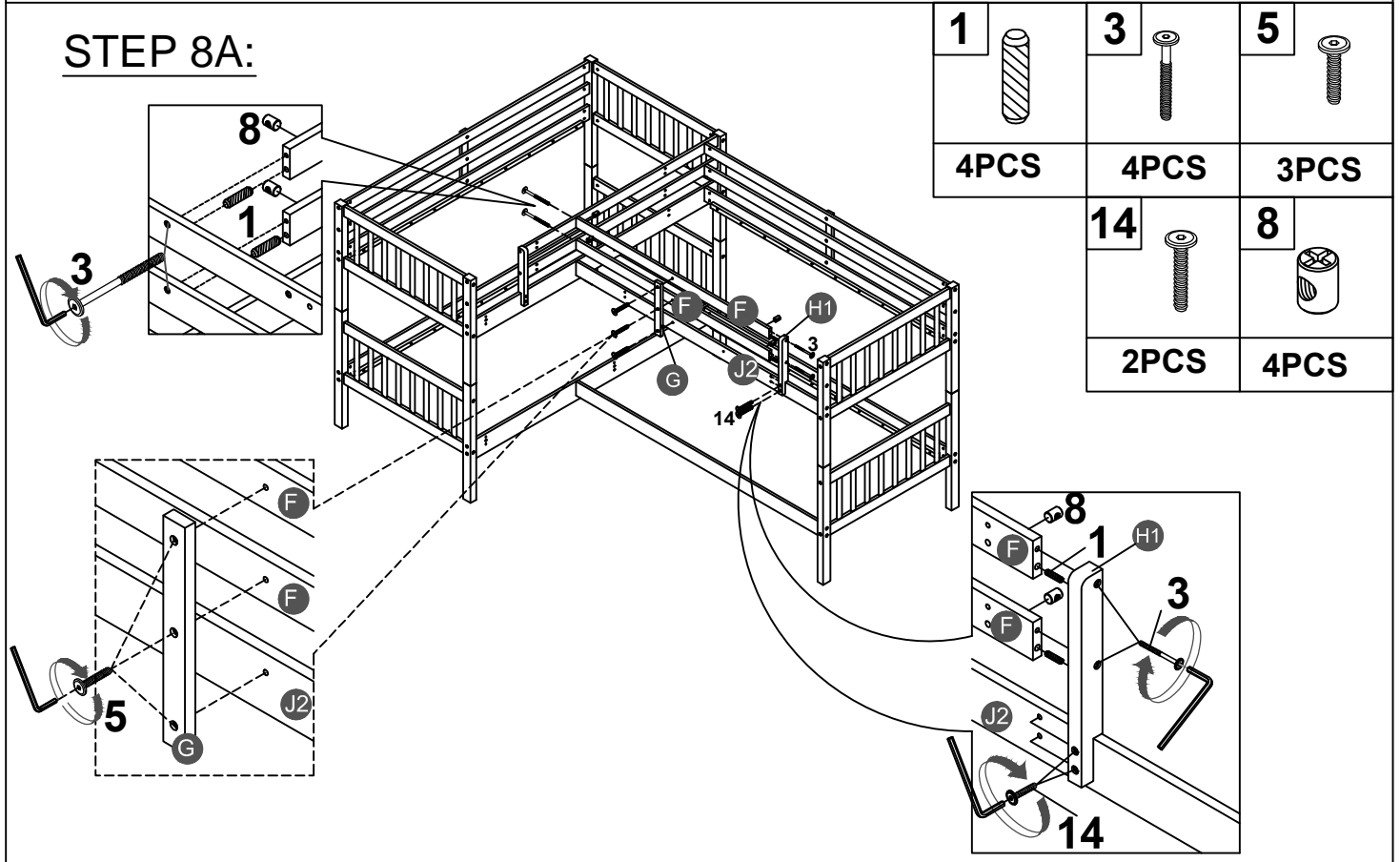
2PCS



STEP 7A:

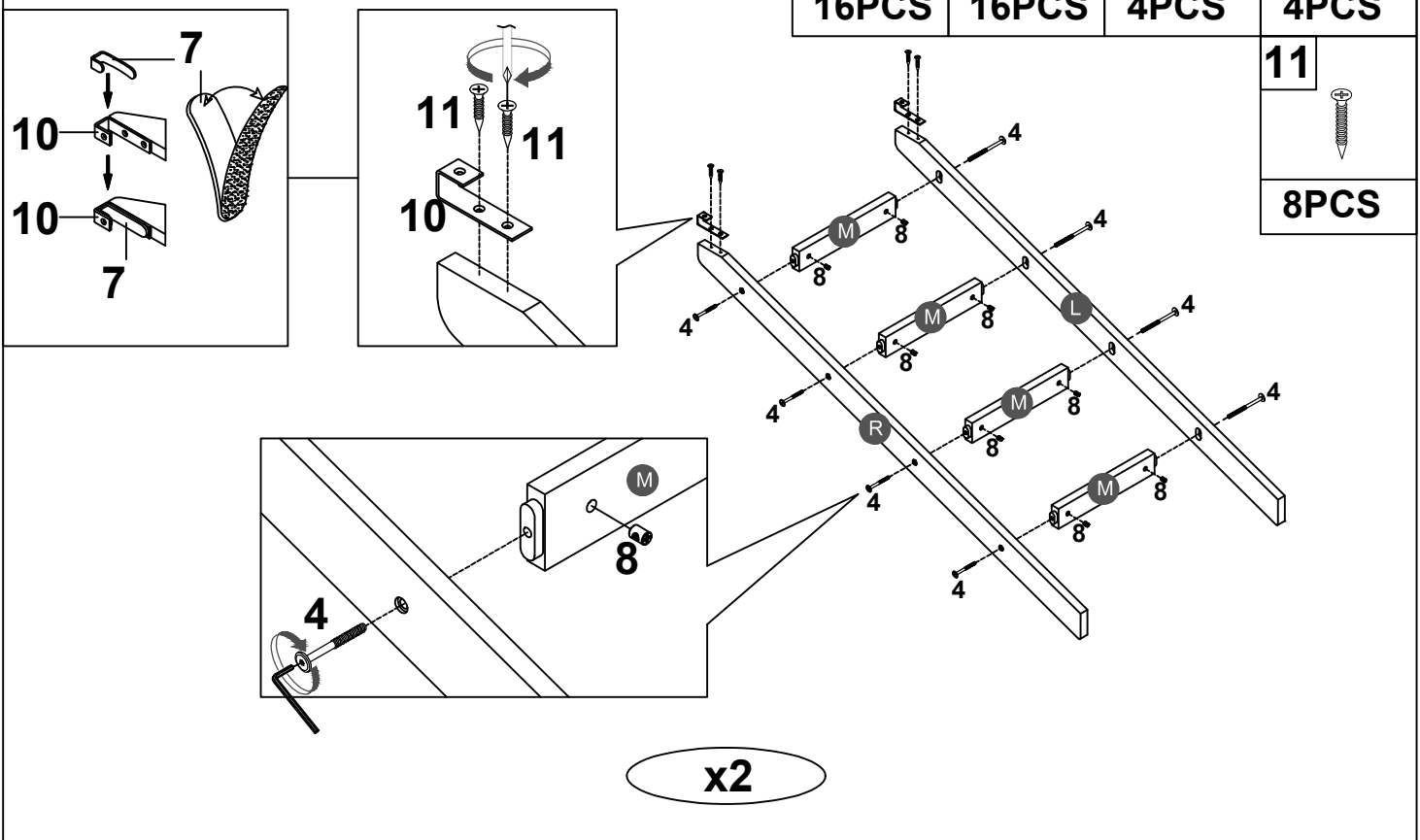


STEP 8A:



STEP 9:

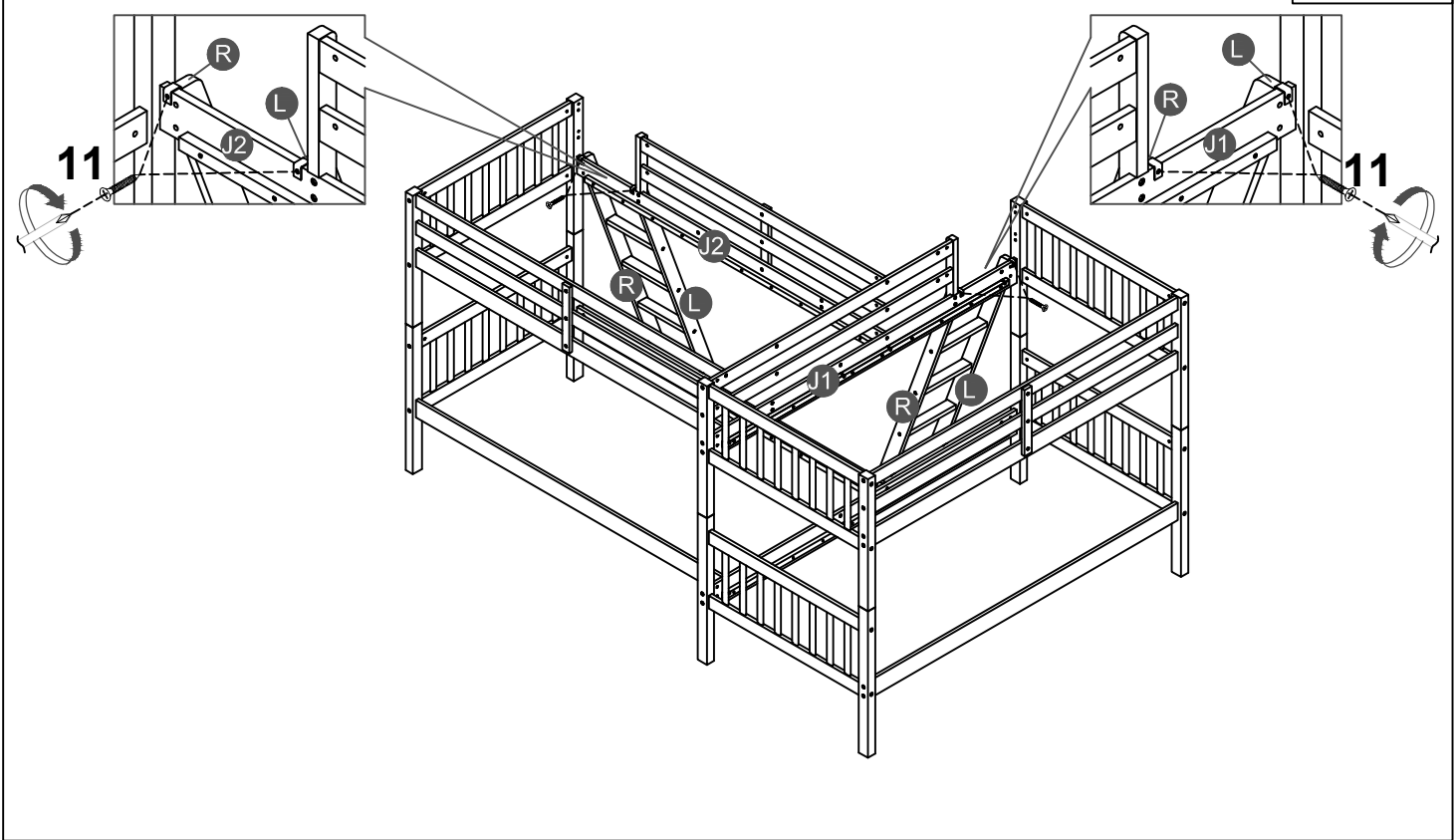
8 	4 	7 	10
16PCS	16PCS	4PCS	4PCS



11
8PCS

STEP 10A:

11
4PCS

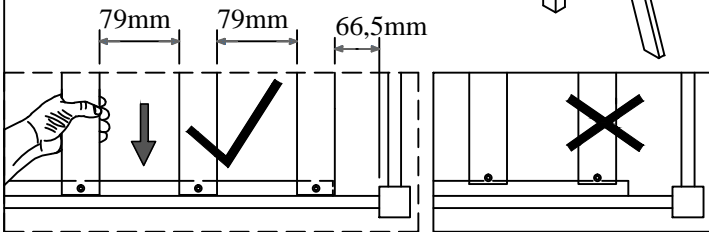
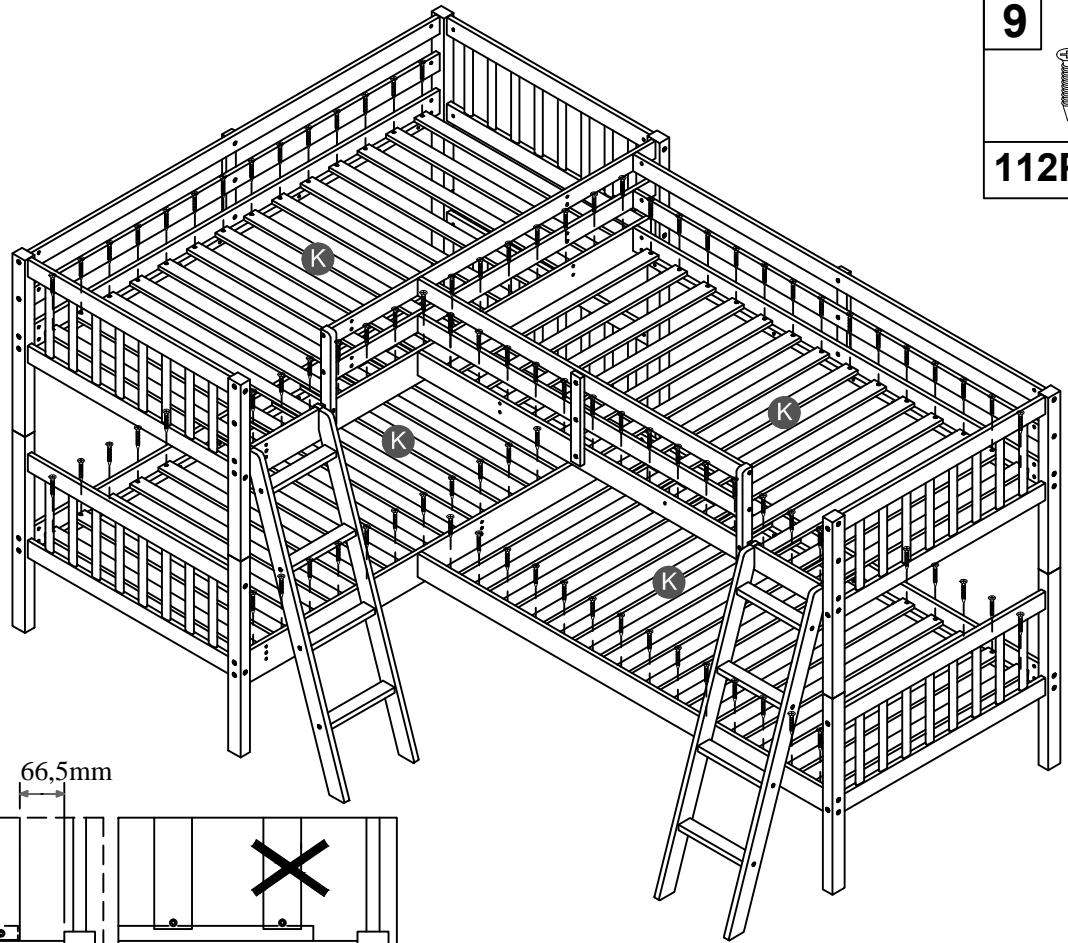
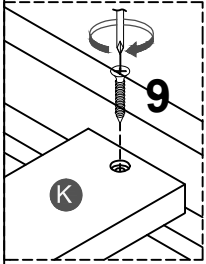


STEP 12A:

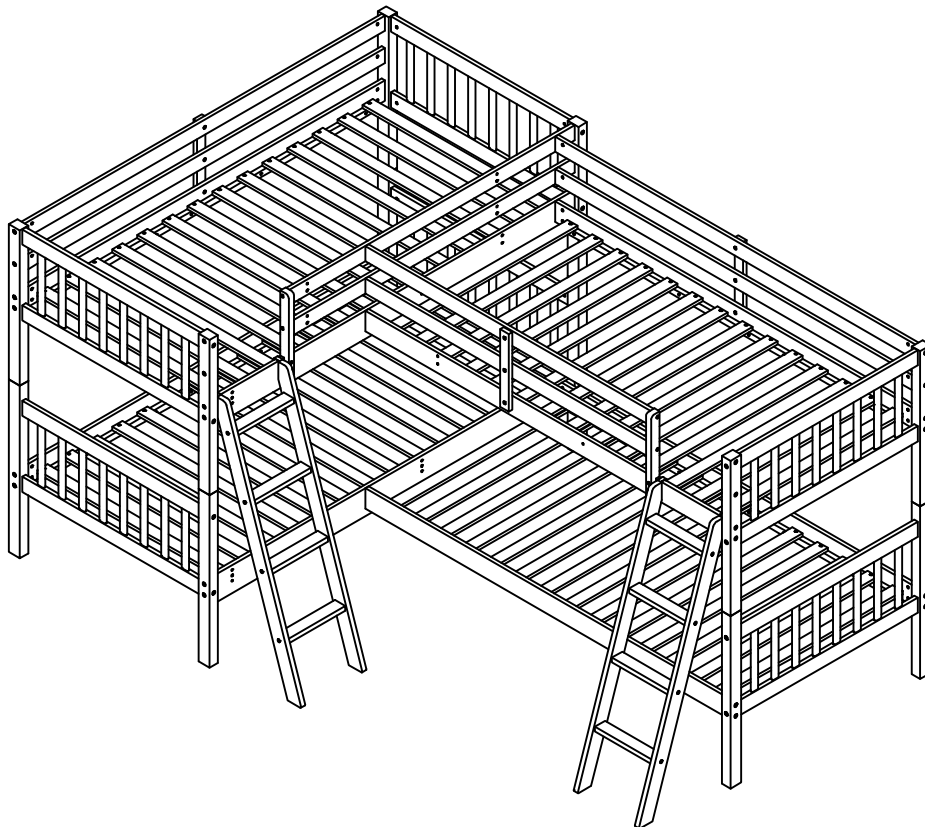
9










112PCS

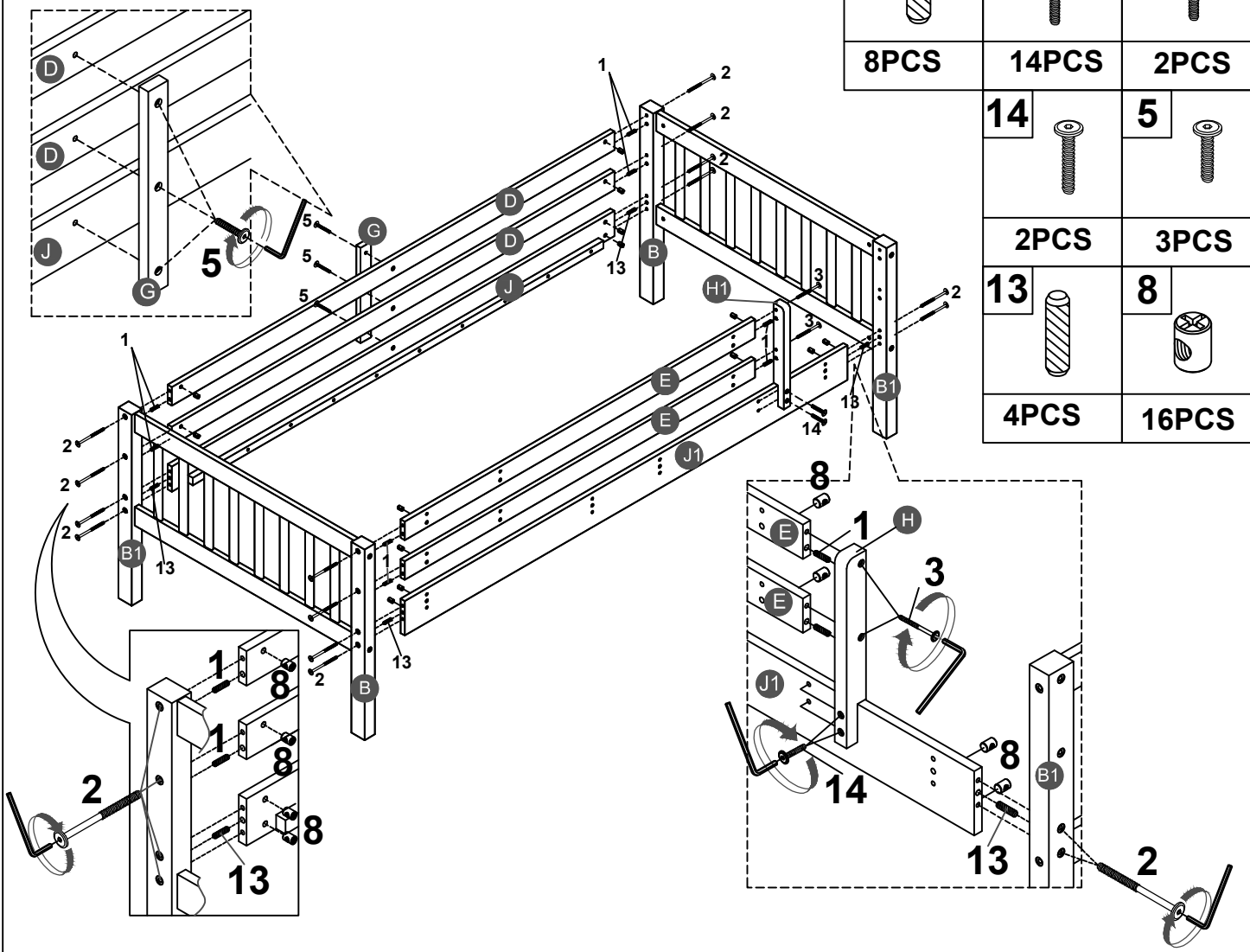


Note: Do not lock the screws of the bed slats to the outermost edge of the bed slats, you need to leave a certain space at the edges, otherwise it will cause the board to break. Do not lock the bed slats on the edge of the wood, please hold firmly before screwing, hold it in place with one hand, then lock the screw.




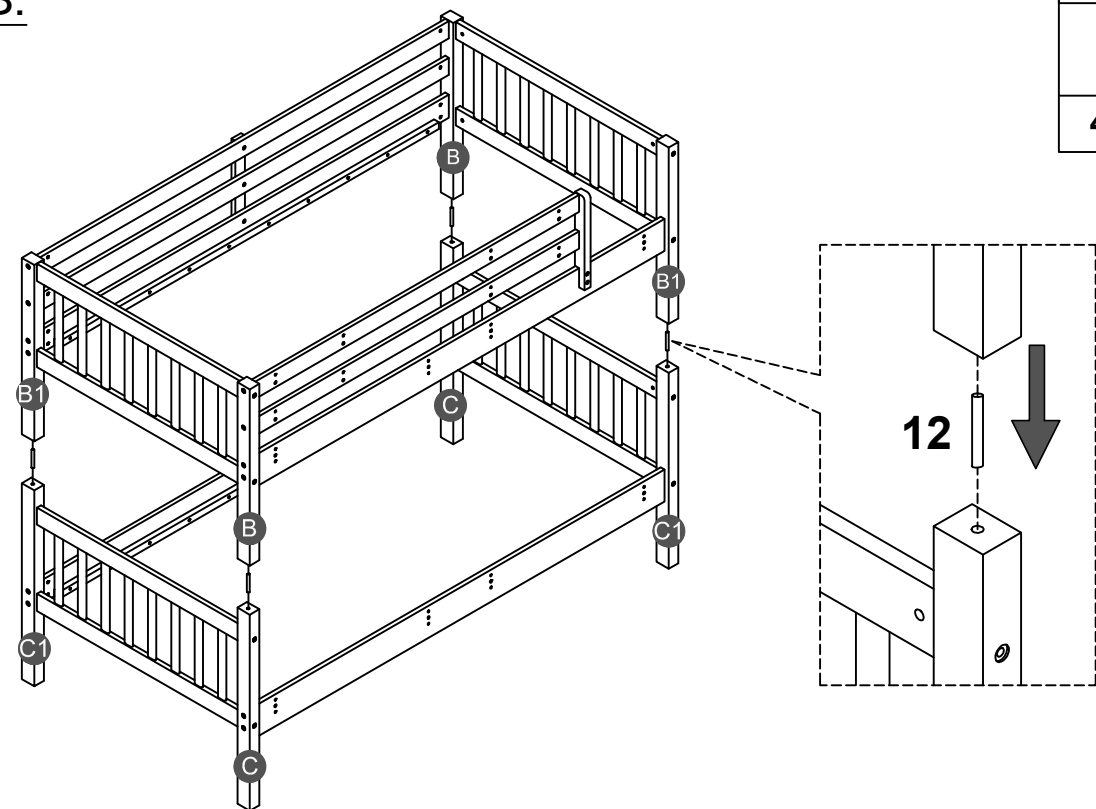
STEP 4B:

1 	2 	3 
8PCS	14PCS	2PCS
14 	5 	
2PCS	3PCS	
13 	8 	
4PCS	16PCS	

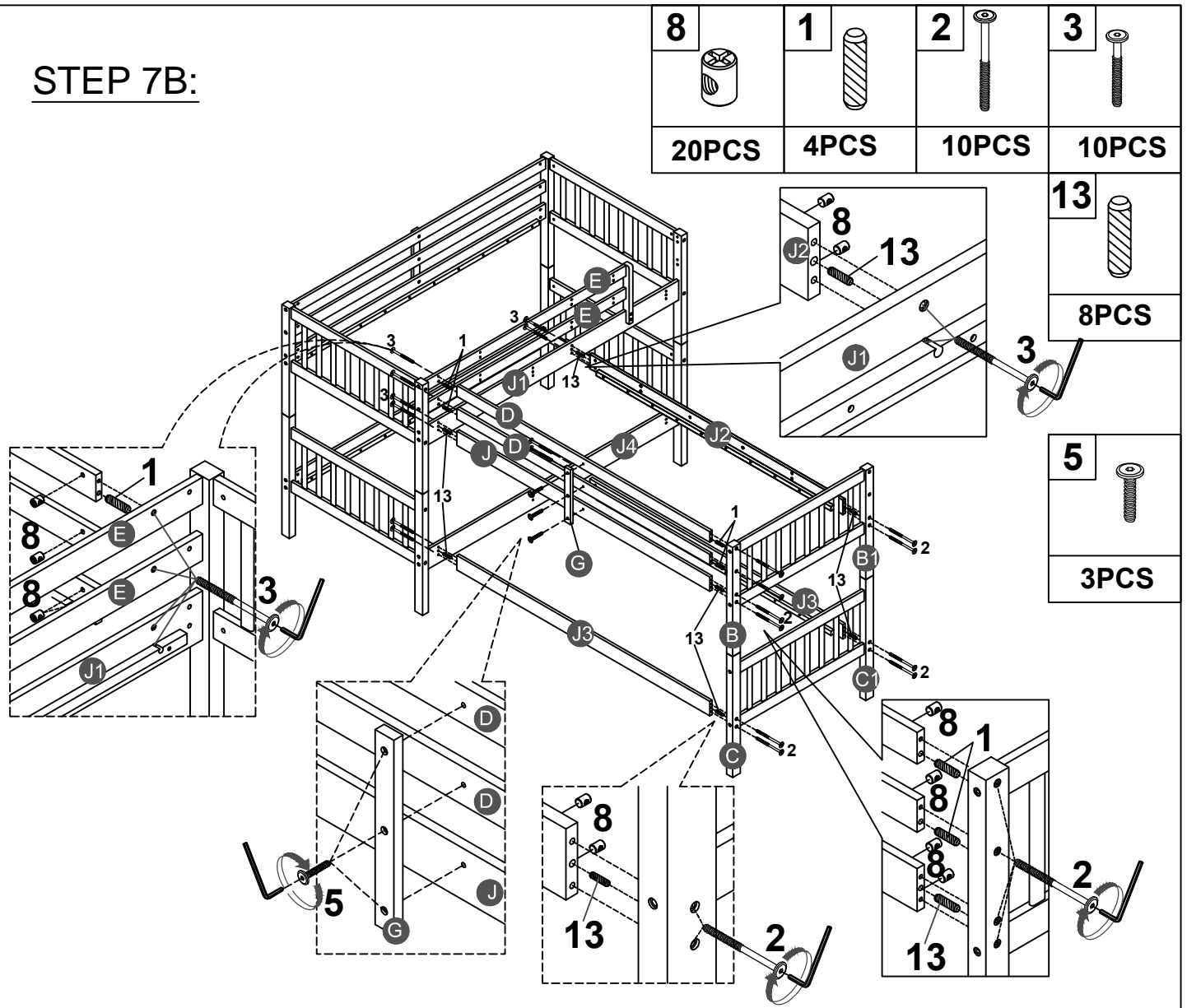


STEP 5B:

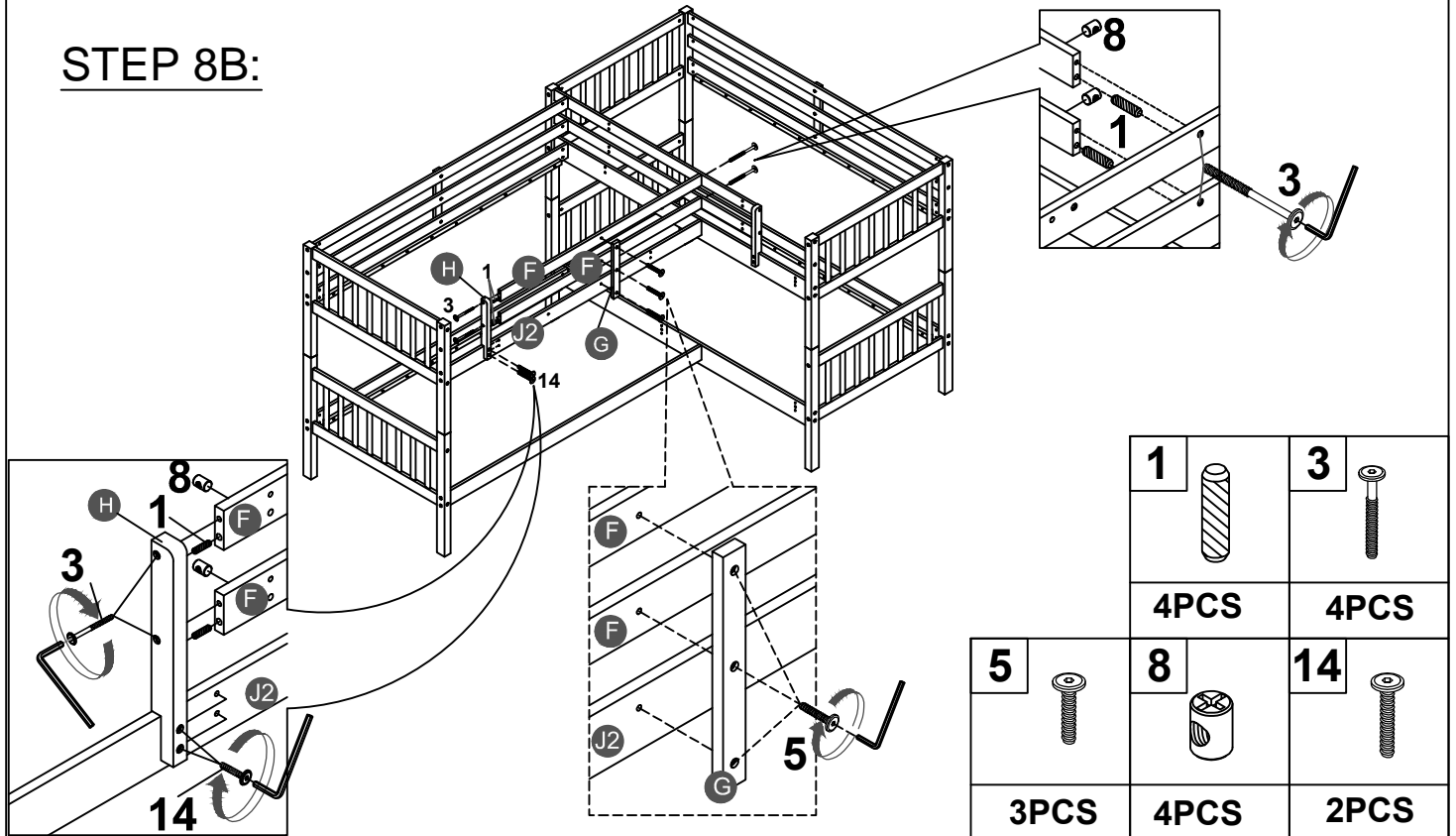
12 
4PCS



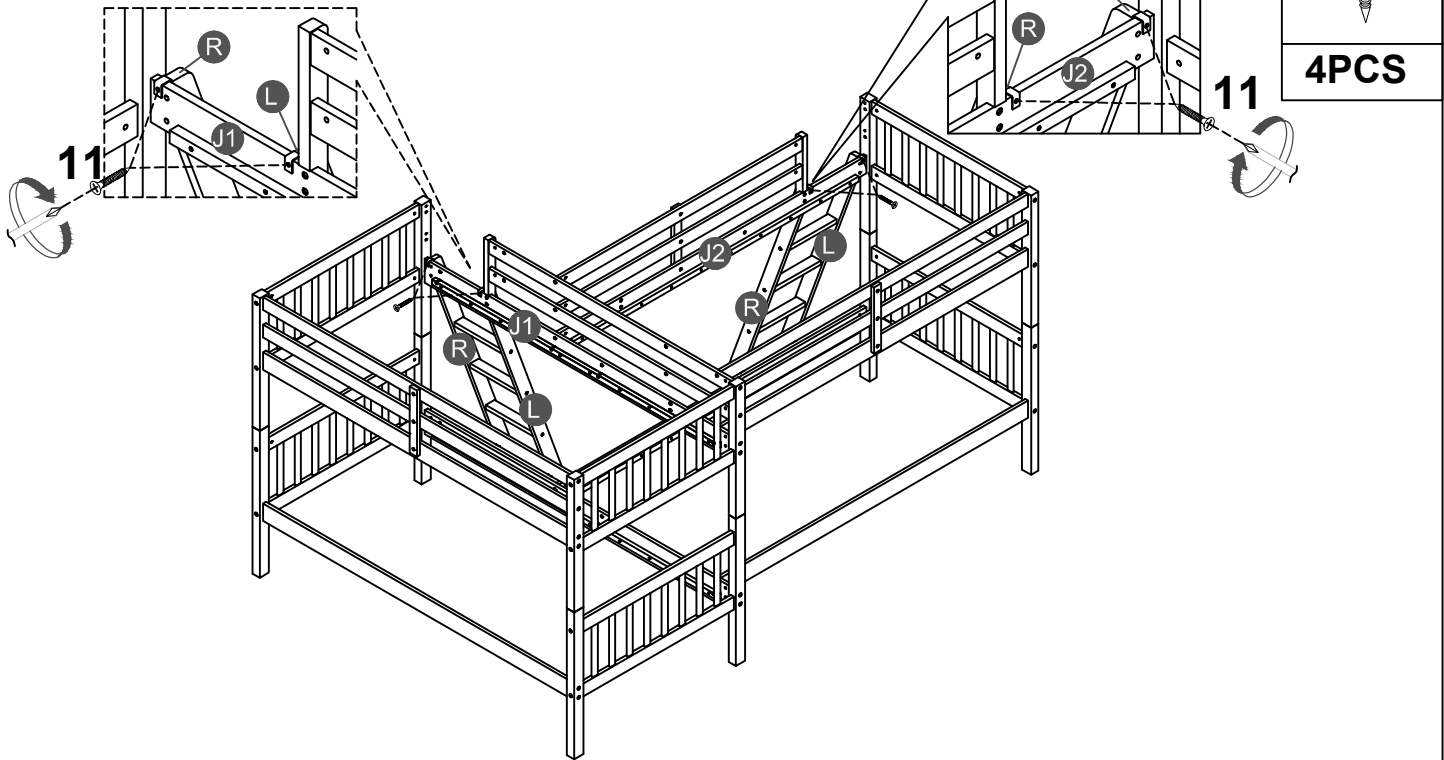
STEP 7B:



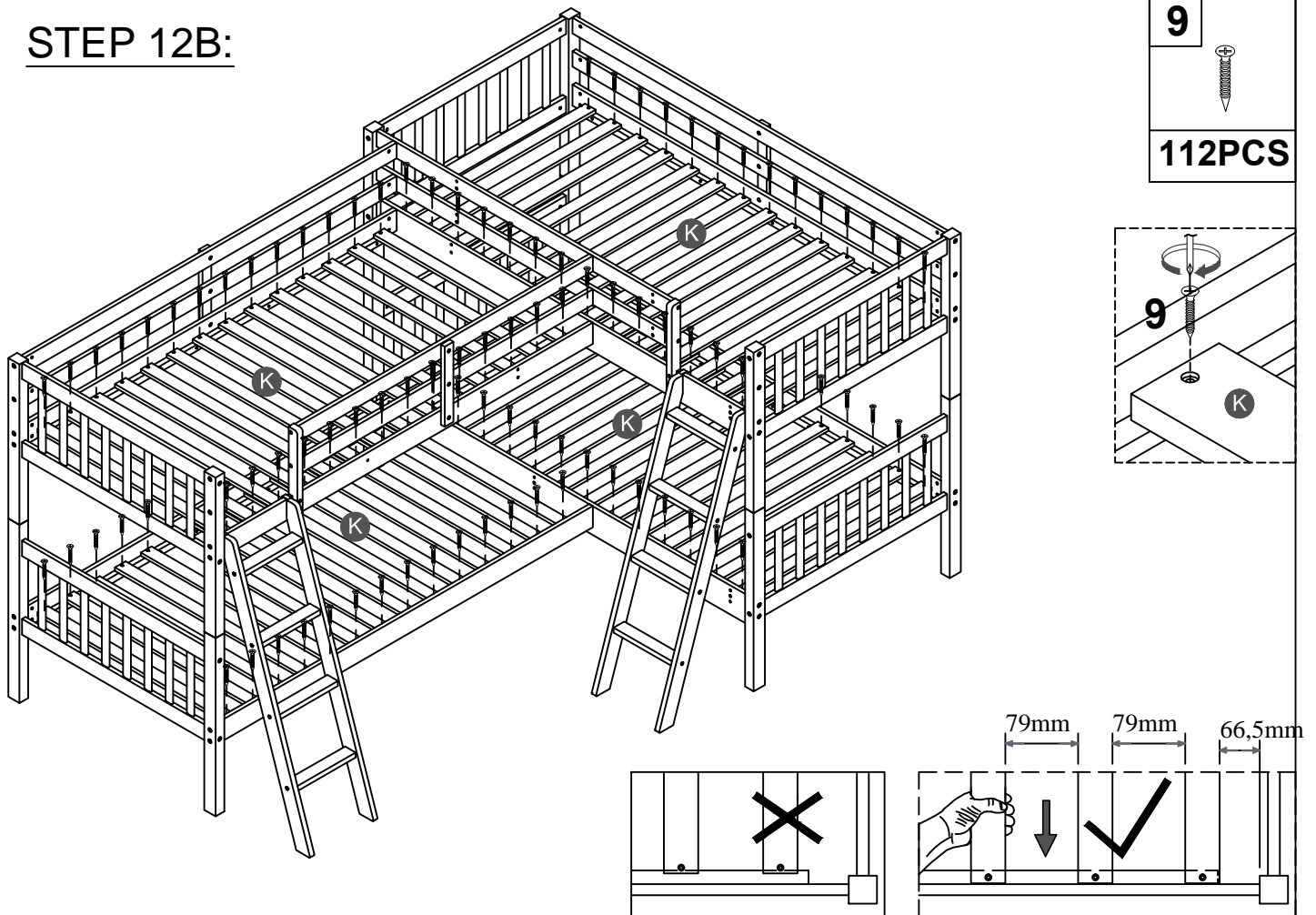
STEP 8B:



STEP 10B:



STEP 12B:



Note: Do not lock the screws of the bed slats to the outermost edge of the bed slats, you need to leave a certain space at the edges, otherwise it will cause the board to break. Do not lock the bed slats on the edge of the wood, please hold firmly before screwing, hold it in place with one hand, then lock the screw.