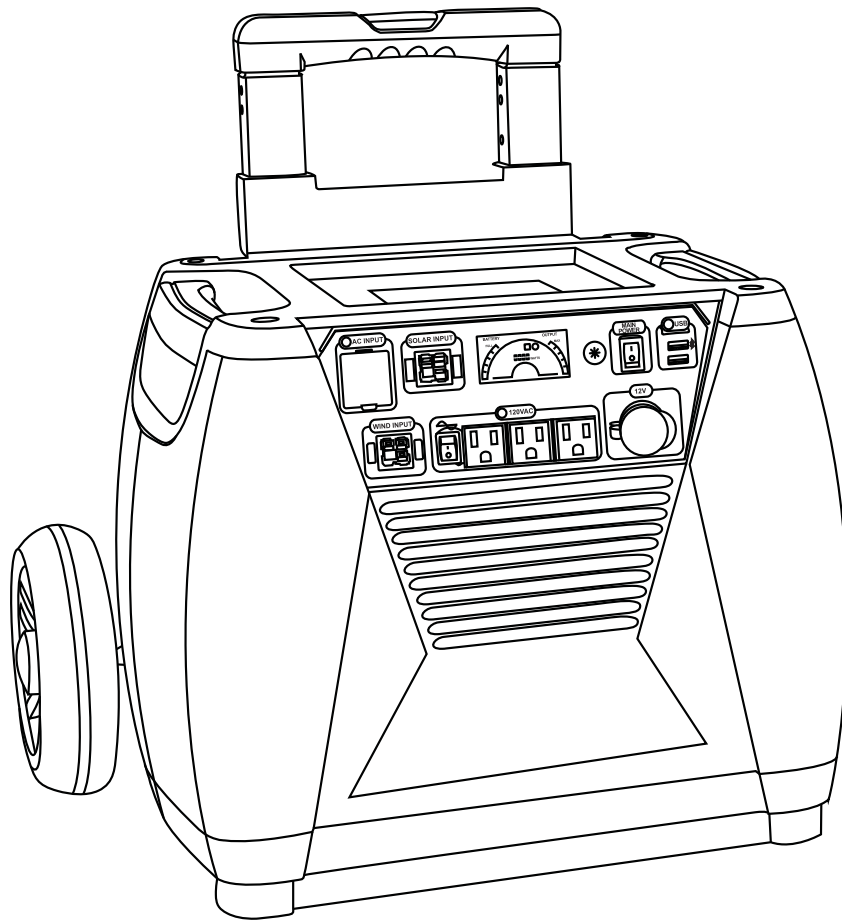


# Nature's Generator

## User Manual



# Nature's Generator

## The Nature's Smartest, Infinitely Expandable Generator System

### Contents

Important Safety Instructions	1
- Warning	1
- Caution	2
Introduction	3
- Unpack Your Nature's Generator	3
- Get to Know Your Nature's Generator	4
Using Your Nature's Generator	6
- How to Recharge Your Nature's Generator	6
- How to Use Your Nature's Generator	7
- How to Read the LCD Display	8
- How to Use Your Nature's Generator Smart Key	9
- How to Expand the Capacity of Your Nature's Generator	9
- How to Maintain and Store Your Nature's Generator	9
- How to Install the Cart to Your Nature's Generator	10
Troubleshooting	16
Technical Specifications	17
Limited Warranty	18
ESPAÑOL	21
FRANÇAIS	41

## ***Important Safety Instructions***

1. Read these instructions.
2. Keep these instructions.
3. Take care of all warnings.
4. Follow all instructions.
5. Do not use this apparatus near water.
6. Do not block any ventilation openings.
7. Do not use near flammable gases or fumes or other apparatus that produce a large amount of heat.
8. Only use attachments/accessories specified by the manufacturer.
9. Use only with the cart specified by the manufacturer, or sold with the apparatus. When a cart is used, use caution when moving the cart/apparatus combination to avoid injury from tip-over.
10. Refer all servicing to qualified service personnel. Servicing is required when the apparatus has been damaged in any way, such as power-supply cord or plug is damaged, liquid has been spilled or objects have fallen into the apparatus, the apparatus has been exposed to rain or moisture, does not operate normally, or has been dropped.
11. The apparatus should not be exposed to dripping or splashing, and no objects filled with liquids, such as vases, should be placed on the apparatus.

## ***Warning***

### ***Electric Shock Hazard***

Keep away from children. Nature's Generator generates the same potentially lethal AC power as a normal household wall outlet. To reduce the risk of fire or electric shock, do not remove any cover or expose the device to rain or moisture. Do not insert foreign objects into the AC Outlet or the ventilation holes.

### ***Explosion Hazard***

Do not burn or incinerate this item. This item may explode, causing personal injury or damage. Do not use near flammable gases or fumes or other apparatus that produces large amounts of heat.

### ***Lightning Hazard***

For added protection for your device during a lightning storm, unplug it from the power outlet and disconnect the cables. This helps to prevent property damage and personal injury from lightning and power line surges.

### ***Energy and Burn Hazard***

Nature's Generator has a sealed lead acid battery, which can present a risk of burn from high current because of short-circuit.

### ***Replacement Parts***

When replacement parts are required, make sure that the service technician uses replacement parts specified by the manufacturer that have the same characteristics as the original part. Unauthorized substitutions may result in fire, electric shock, personal injury, or other hazards.

### ***Safety Check***

After completing any service or repair to this device, ask the service technician to perform routine safety checks to determine that your Nature's Generator is in correct operating condition.

### ***Servicing***

These servicing instructions are for use by qualified service personnel only. To reduce the risk of electric shock, do not perform any servicing other than that contained in the operating instructions unless you are qualified to do so.

### ***Caution***

#### ***Damage Requiring Service***

Stop using the Nature's Generator and refer servicing to qualified service personnel under the following conditions:

- If liquid has been spilled or objects have fallen into your Nature's Generator.
- If your Nature's Generator has been exposed to rain or water.
- If your Nature's Generator has been dropped or damaged in any way.
- When your Nature's Generator exhibits a distinct change in performance.

### ***Cold Weather***

Cold temperatures can impact Nature's Generator performance. If you are in area that will be consistency below freezing, we recommend keeping your Nature's Generator in an insulated location and connected to a solar panel.

### ***Recycling and Disposal***

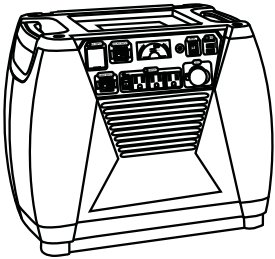
Your Nature's Generator may contain materials that are regulated for environmental reasons. Your Nature's Generator also contains materials that can be recycled and reused. To help protect the environment, contact your local authorities for information about disposal or recycling and about finding a recycler in your area before you dispose of your Nature's Generator.

## ***Introduction***

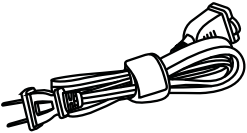
Congratulations on your new Nature's Generator, a state-of-art generator that provides reliable power for emergencies, off grid living, or wherever power is needed. With Nature's Generator app Nature's Pulse, you can proactively diagnose the system, track the usage and communicate the issues.

## ***Unpacking Your Nature's Generator***

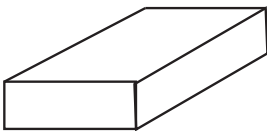
### 1. Nature's Generator



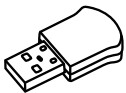
### 2. AC Power Cord ( In the rear storage compartment)



### 3. Cart Box



### 4. Smart Key

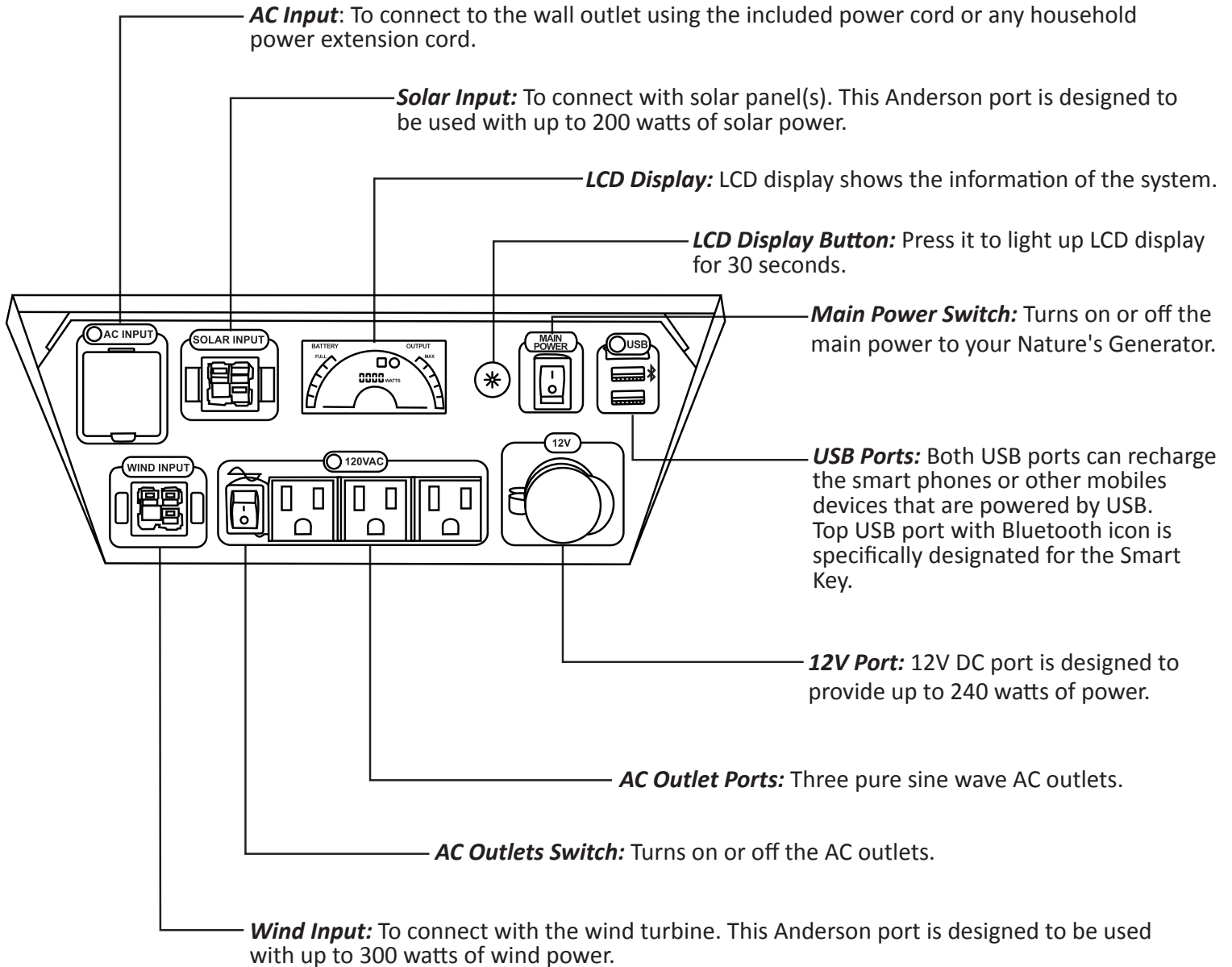


### 5. This User Guide

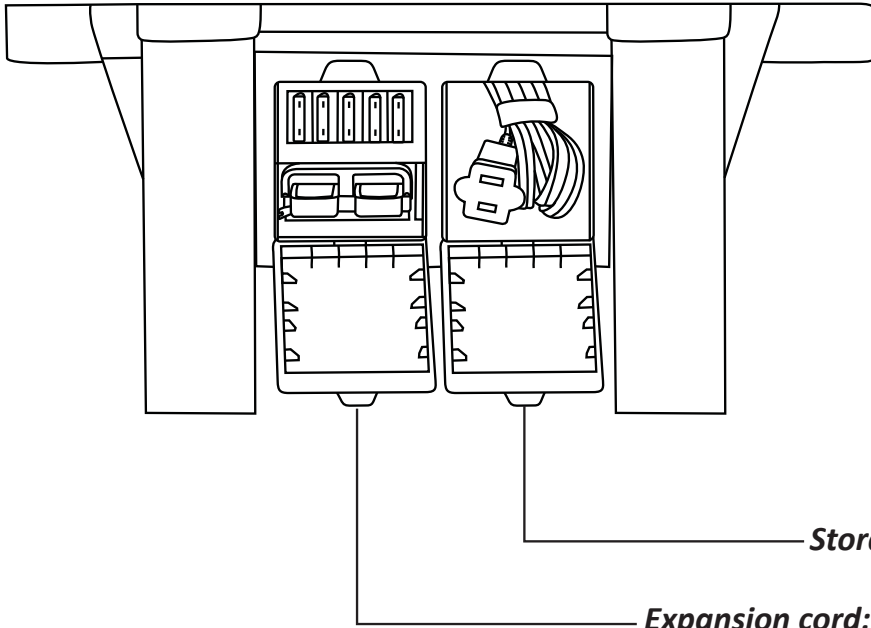


# Get to Know Your Nature's Generator

## Front Panel



**Back Panel**



**Storage:** For storing the power cord.

**Expansion cord:**  
Daisy chaining fuses and Daisy chain connector.  
For use with Nature's Generator Power Pod.

## ***Using Your Nature's Generator***

### ***How to Recharge Your Nature's Generator***

#### ***Recharging from Solar Panels***

1. Place your solar panel where it will get as much direct sunlight as possible. While direct sunlight is always preferred, solar panels should be connected at all times to provide a consistent trickle charge to your battery. Solar panels will also send a charge to your unit while in hazy or overcast skies.
2. Insert solar panel plug into Solar Input port on the front of your Nature's Generator. You will know it is recharging when LCD display lights up, solar panel icon is illuminated and battery bar starts to register. The battery bar will stop registering when the battery on the LCD display is full or there is not enough power from solar panel.
3. It takes about 10 to 15 hours to recharge Nature's Generator if using 100 watt solar panel, and also depends on the the strength of the sunlight.
4. To increase the recharging speed, you can daisy chain multiple solar panels in parallel connection. The Solar Input port can handle up to 200 watts of solar power. Visit [Naturesgenerator.com](http://Naturesgenerator.com) for information on purchasing additional solar panels.

#### ***Recharging from the Wind Turbine***

1. Place your wind turbine where it will get as much wind as possible.
2. Insert wind turbine plug into Wind Input port on the front of your Nature's Generator. You will know it is recharging when LCD display lights up, wind turbine icon is illuminated and battery bar starts to register. The battery bar will stop registering when the battery on the LCD display is full or there is not enough power from wind turbine.
3. The recharging speed depends on the wind turbine power rating and the strength of the wind. The Wind Input port can handle up to 300 watts of wind power. Visit [Naturesgenerator.com](http://Naturesgenerator.com) for more information about the wind turbine.

#### ***Recharging from AC Power***

1. Locate the power cord in the rear storage compartment on the back of the Nature's Generator.
2. Insert the power cord to the AC Input Port on the front of the Nature's Generator.
3. Plug the other end of the power cord into the wall outlet. You will know it is recharging when LCD display lights up, AC input icon is illuminated on the LCD display and battery bar starts registering. The battery bar stops registering when the battery is full.



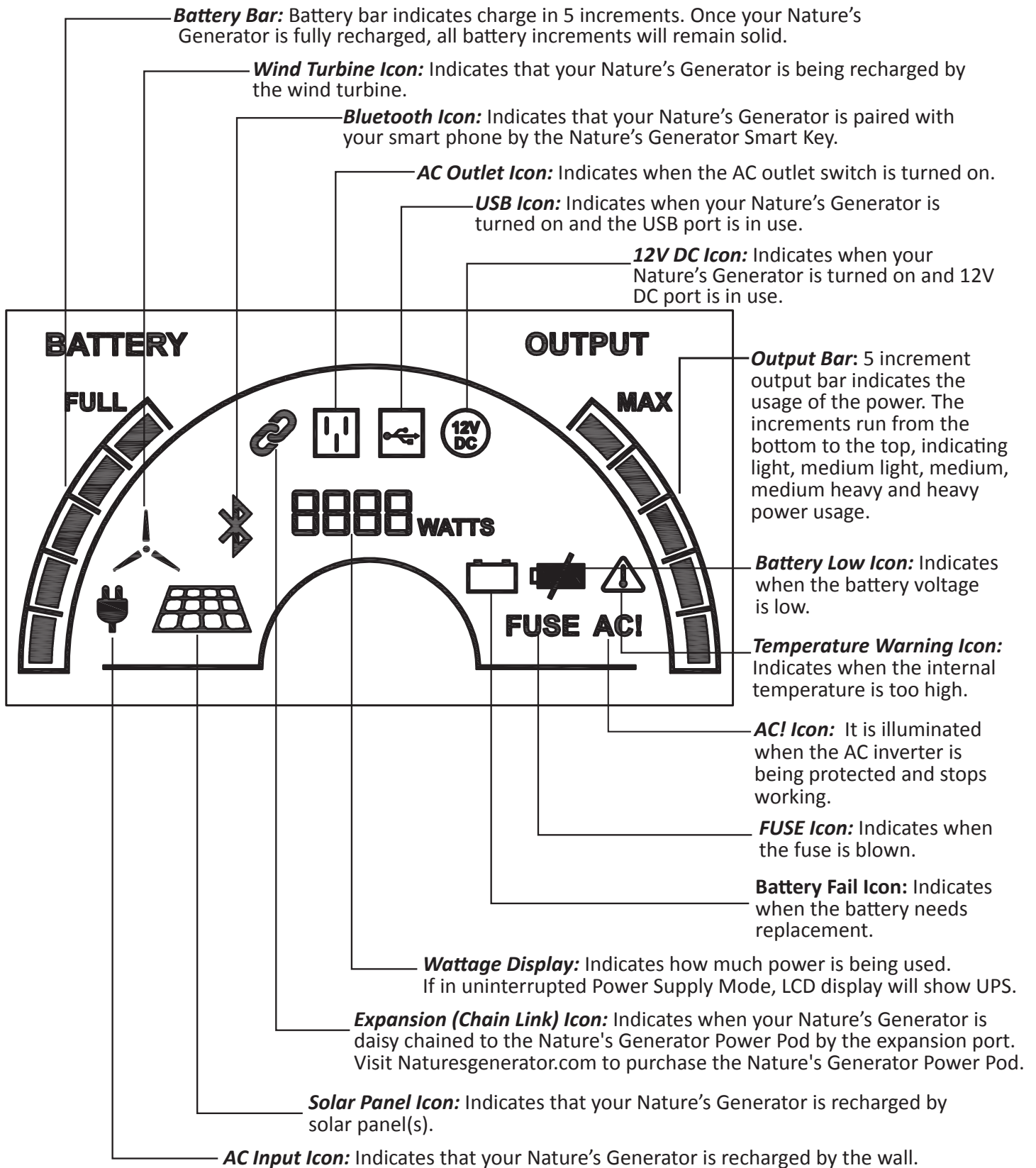
## ***How to Use Your Nature's Generator***

1. Press the Main Power Switch to turn on your Nature's Generator. USB ports will be on automatically when Main Power Switch is on.
2. Press the AC Outlet Switch to turn on the AC outlets. When not using the AC outlets, make sure to turn off AC outlet switch to conserve power.
3. You'll know the port is turned on when the icon is illuminated on the LCD display.
4. Plug in any of your devices for power.

## ***Uninterrupted Power Supply (UPS) Mode***

1. You can recharge your Nature's Generator and recharge your devices at the same time.
2. If you recharge your Nature's Generator at the same time when you power your AC devices from the AC Outlet Ports, your Nature's Generator turns into an Uninterrupted Power Supply. Your AC devices will receive power directly from the AC outlet. If power goes out, your Nature's Generator will already be running and ready to supply power to your connected AC devices.
3. LCD display shows UPS when it is in UPS mode.

## How to Read the LCD Display



## ***How to Use Your Nature's Generator Smart Key***

1. Turn on the main power switch of your Nature's Generator.
2. Plug your Nature's Generator Smart Key to the top USB port with Bluetooth icon on its right side.
3. If you have not already done so, click App Store<sup>SM</sup> on your iPhone<sup>TM</sup> or Google Play<sup>TM</sup> on your Android<sup>TM</sup> Phone.
4. Search "Nature's Pulse" app and install it.
5. After the app is installed, please follow the instructions on the app to register your account before you can log into the home page.
6. Press "Connect" button on the home page. The App will search for the Nature's Generator Smart Key and find your Nature's Generator.
7. After it is connected, you can start enjoying the smart features like system diagnosis, history tracking and many other features.

## ***How to Expand the Capacity of Your Nature's Generator***

You can extend the run time of your Nature's Generator by connecting it to the Nature's Generator Power Pod. Visit [naturesgenerator.com](http://naturesgenerator.com) to purchase a Nature's Generator Power Pod.

1. Open the top cover of the Nature's Generator Power Pod, locate the expansion cable, and run the expansion cable out of Nature's Generator Power Pod through the opening on the back of the Nature's Generator Power Pod.
2. Locate Expansion Port on the back of your Nature's Generator and open the rubber cover.
3. Connect the expansion cable to the expansion port.
4. The Expansion (Chain Link) Icon will be illuminated on the LCD display to indicate it is connected.

You will experience an increased run time of approximately 167% by adding one Nature's Generator Power Pod, approximately 333% by adding two Nature's Generator Power Pods and 500% by adding three Nature's Generator Power Pods.

## ***How to Maintain and Store Your Nature's Generator***

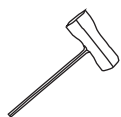
Please recharge your Nature's Generator once every four months and store in a ventilated, cool and dry location. If possible, please connect your Nature's Generator to a power source, like the wall outlet, solar panel or wind turbine while in storage to top off the battery voltage. This keeps the battery healthy and prolongs its life. Failure to maintain Nature's Generator by these steps can result in battery damage which will void the product warranty.

Please clean your Nature's Generator with a soft, lint-free cloth. If your Nature's Generator is especially dirty, moisten a soft, lint-free cloth in a weak detergent solution, squeeze the excess moisture from the cloth, then wipe the cabinet with the cloth. Use a clean cloth to dry your Nature's Generator.

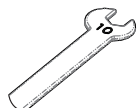
## How to Install the Cart to Your Nature's Generator

What are included:

### Tools



Socket Wrench × 2pcs



10mm Wrench × 1pc

### Cart Parts



Spacer × 2pcs



M6 30mm Bolt and Nut × 2pcs



M6 100mm Bolt × 2pcs



Locknut × 2pcs



Axle Bushing × 2pcs



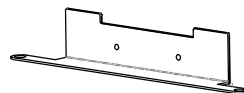
Axle Shaft



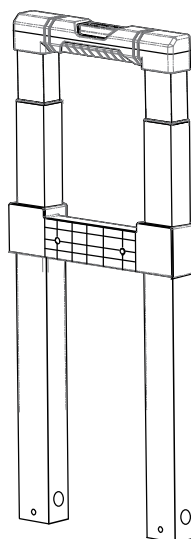
Wheel × 2pcs



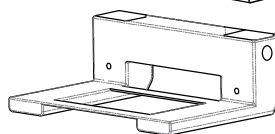
Hub Cap × 2pcs



Generator Bracket

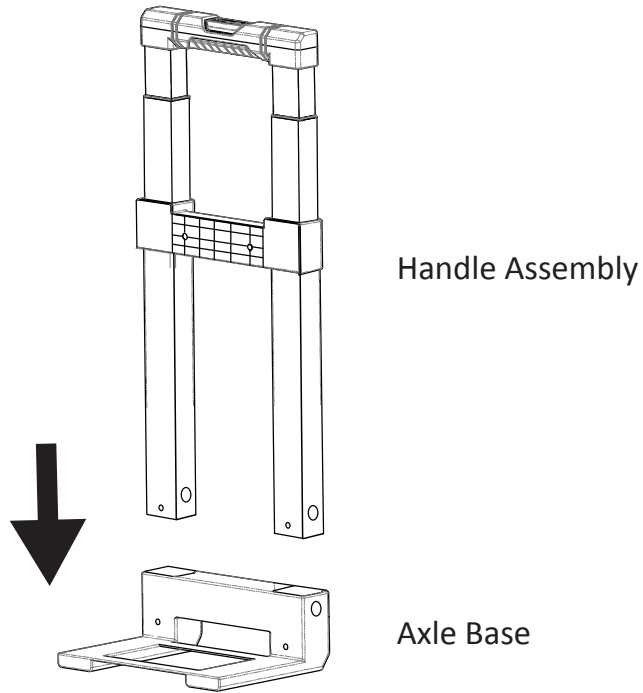


Handle Assembly

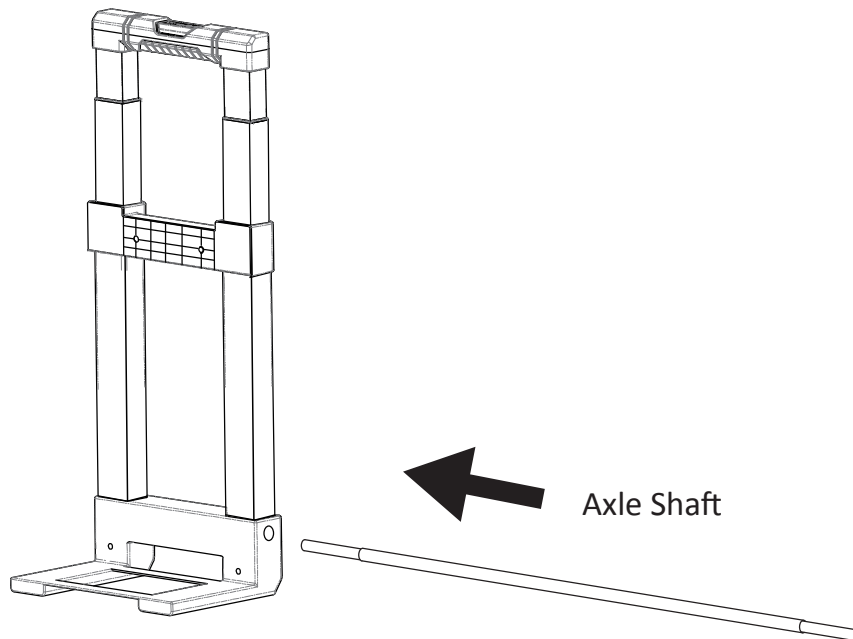


Axle Base

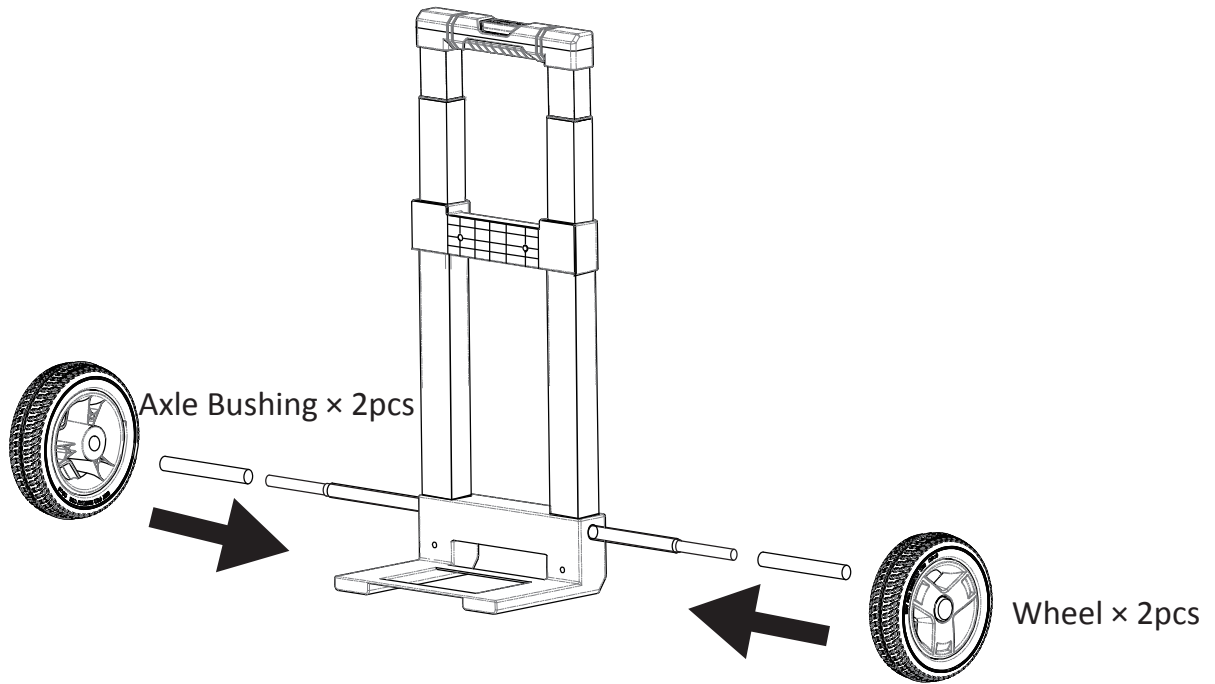
Step 1:



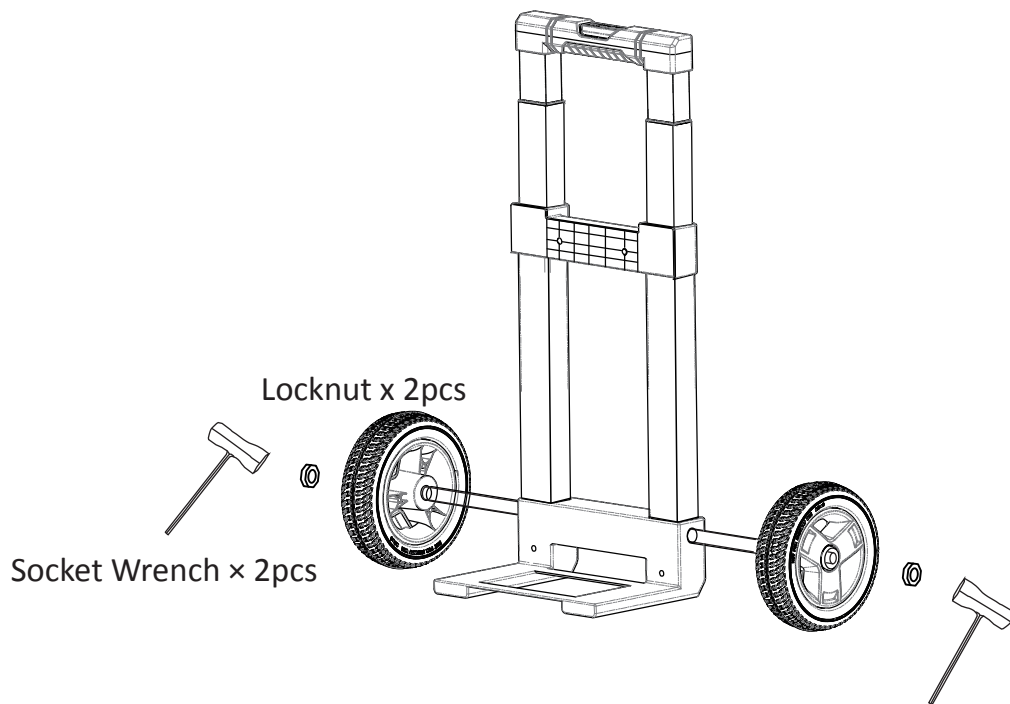
Step 2:



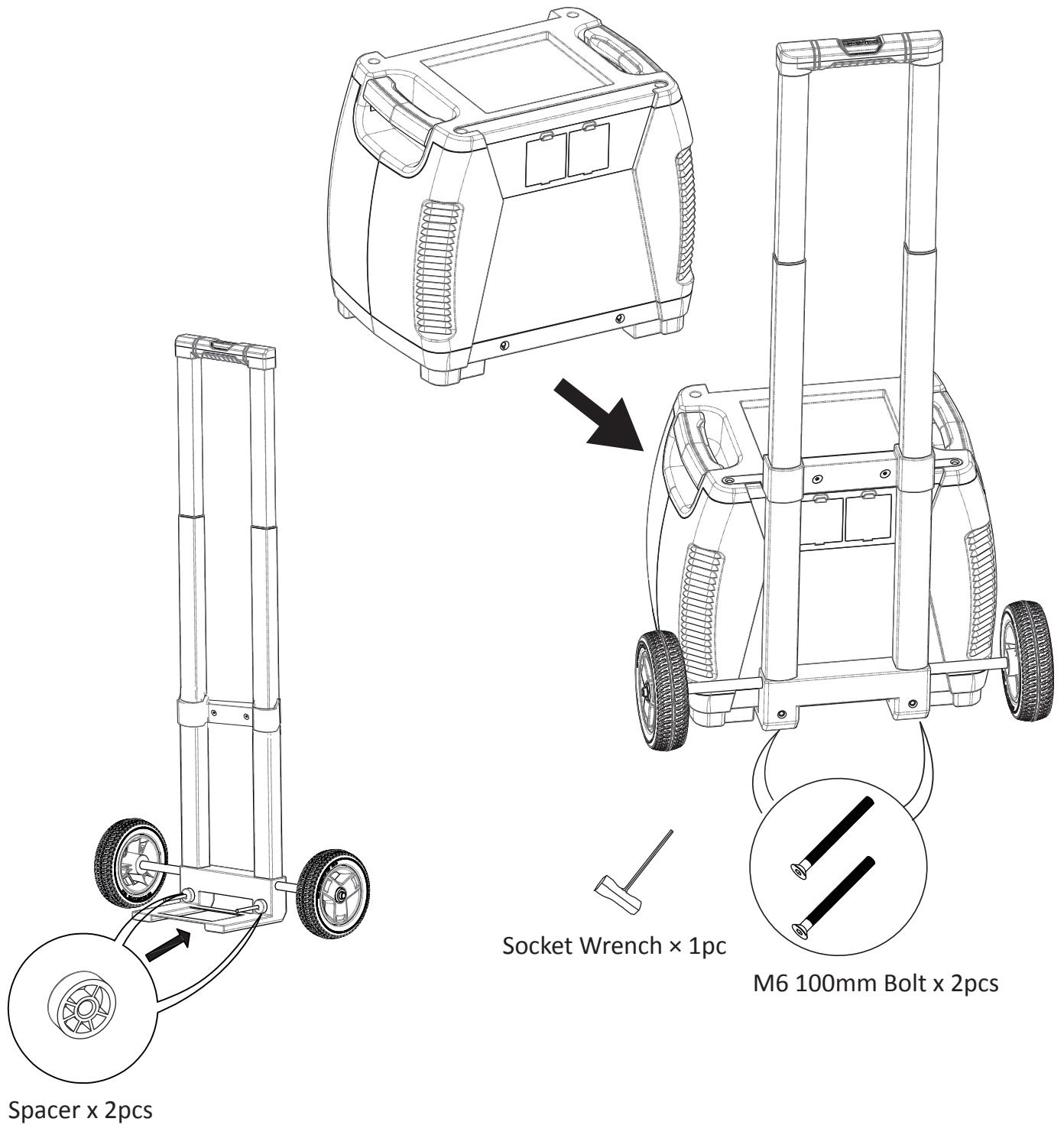
Step 3:



Step 4:

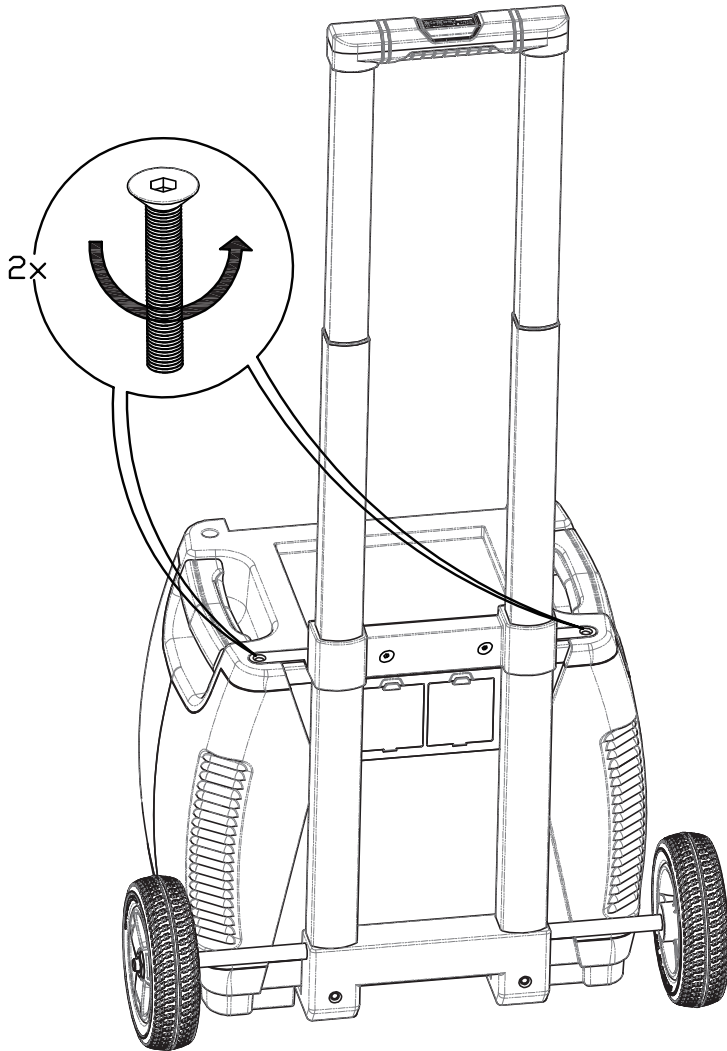


Step 5:



Step 6:

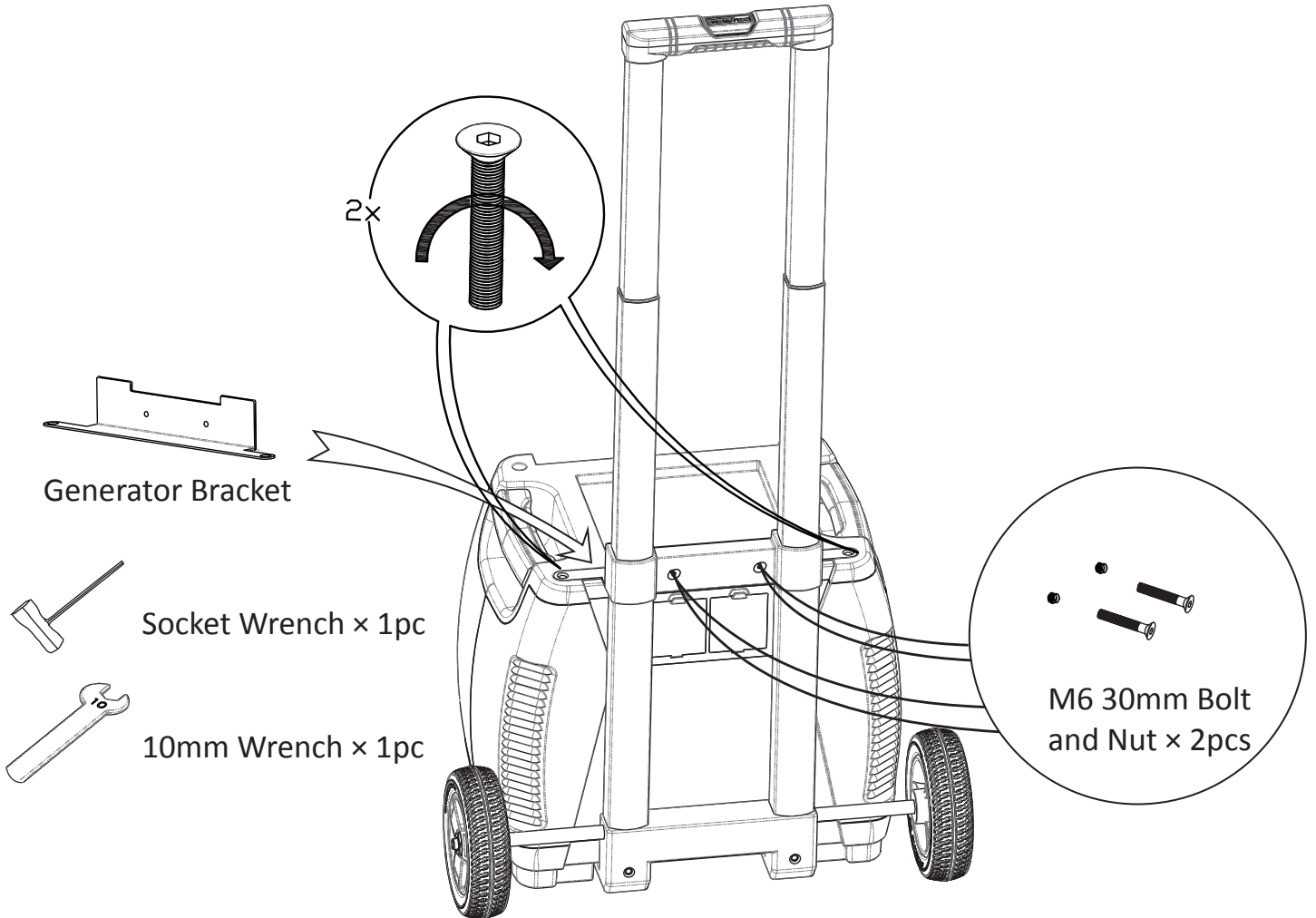
Please remove the existing two bolts from the Nature's Generator and set aside for reuse in Step 7.





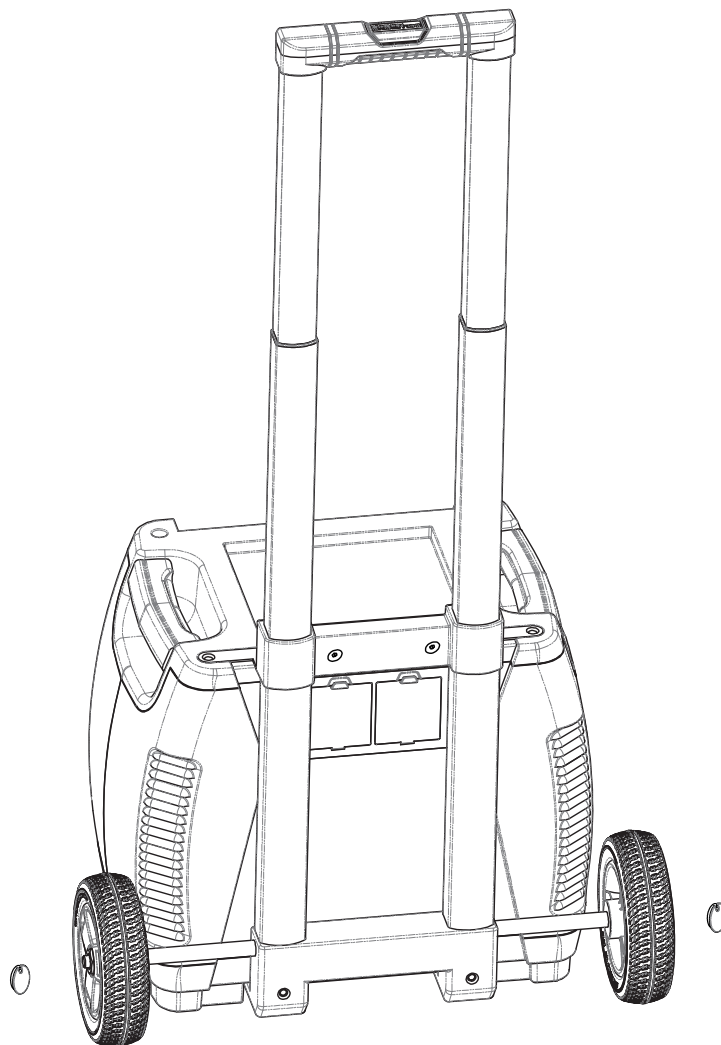
Step 7:

Please reinsert the bolts once Generator Bracket is in place.



Step 8:

After adjust the distance between the wheel and Nature's Generator, please put hub caps on the wheels.



Hub Cap x 2pcs

## ***Troubleshooting***

### ***My Nature's Generator won't charge when I connect my solar panel to it.***

Please follow these steps.

1. Make sure the solar panel is pointed directly towards the sun. It is preferred to position the solar panel facing south. The solar panel may produce little or no power if it is positioned in the shade.
2. Check the cable connection on your Nature's Generator and make sure it is properly connected.
3. The LCD lights up but the battery bar is not running. It means the Nature's Generator has been fully recharged by the solar panel or the solar panel does not have high enough voltage to recharge the Nature's Generator.

### ***My AC device(s) are not powering up from my Nature's Generator.***

Please follow these steps:

1. Verify your device is suitable for use with your Nature's Generator. The Nature's Generator AC outputs work only with 120V AC and up to 1800 watts on three outlets combined.
2. Make sure the Main Power Switch is turned on.
3. Check the battery bar. If there are only three bars or less, recharge your Nature's Generator. Some AC devices draw large amounts of power and it is recommended to recharge your Nature's Generator full before heavy use.
4. Make sure the AC outlet switch is turned on. The LED light should be green.
5. If LED light is red, please check the failure icons on the LCD display.
  - a. Battery Fail Icon: replace your battery.
  - b. Battery Low Icon: recharge your battery before use.
  - c. Temperature Warning Icon: The internal temperature is too high. Please let it cool down before trying to use again.
  - d. FUSE Icon: Replace the fuses.
  - e. AC! Icon: The AC inverter is being protected. Unplug your AC device, turn off AC outlet switch and back on to try it again.

### ***My Nature's Generator battery drains fast.***

Please follow these steps.

1. Check the wattage of your AC device(s). Some devices like a hair dryer, microwave or vacuum draw large amounts of power and thus the battery drains fast. Please always monitor the wattage output information on the LCD display.
2. When your AC device is not in use, turn off AC outlets of your Nature's Generator to conserve power. The AC outlets consume a considerable amount of power while being in standby mode.
3. When Nature's Generator is not in use, turn off the Main Power Switch and to eliminate unnecessary battery drainage to shut off the LCD display and USB ports.

## ***Technical Specifications***

### ***Battery:***

Type: AGM Sealed Lead Acid

Capacity: 60Ah (720Wh)

Self-discharge: Recommend to recharge every 4 months

### ***Inverter:***

Output Power: 1800 watt max / 1440 continuous

Output voltage: 120V

Output frequency: 60Hz

### ***Ports:***

USB Port: 5V, up to 3A (15W)

12V DC Port: up to 20A (240W max)

Expansion Port: 200A fuse

### ***Charges:***

AC Charger: 90W

AC Charger Indicator: red (charging) and green (charged)

Solar Charger: 200watt

Wind Charger: 300watt

### ***General:***

Dimensions: 18 x 12 x 15 in (47 x 30 x 38 cm) without cart

23 x 17 x 22 in ( 57 x 42 x 55 cm) with cart

Operating temperature: 32-104 °F (0-40 °C)

Storage Temperature: 23–111 °F (-5–45 °C)

Weight: 83 lbs (37.6 kg)

## ***Limited Warranty***

### ***One Year Limited Warranty***

Huntkey USA Inc. warrants to you, the original purchaser of this new product, that the product shall be free of defects in the original manufacture of the material or workmanship for a period of one (1) year from the original date of your purchase of the product ("Warranty Period"). This product must be purchased from an authorized dealer and packaged with this warranty statement. This warranty does not cover refurbished product.

### ***What does this Warranty Cover?***

During the Warranty Period, if the original manufacture of the material or workmanship of the product is determined to be defective by an authorized dealer, Huntkey USA Inc. will (at its sole option): (1) repair the product with new or rebuilt parts; or (2) replace the product at no charge with new or rebuilt comparable products or parts. Products and parts replaced under this warranty become the property of Nature's Generator and are not returned to you. If service of products or parts are required after the Warranty Period expires, you must pay all labor and parts charges. This warranty lasts as long as you own your product during the Warranty Period. Warranty coverage terminates if you sell or otherwise transfer the product.

### ***How to Obtain Warranty Service?***

Please call 1-800-975-7909 Monday through Friday, 9:00AM to 5:00PM PST. You will be provided with a Return Merchandise Authorization (RMA) number and return instructions. Send product to:

Huntkey USA, Inc.  
3130 Paseo Mercado Suite 106  
Oxnard, CA 93036

Please include the RMA number prominently displayed on the shipping box and include your name, phone number and address with the product inside the box.

### ***Where is the Warranty Valid?***

This warranty is valid only to the original purchaser of the product in North America (United States, Canada and Mexico).

### ***What does the Warranty not Cover?***

This warranty does not cover:

- Cosmetic damage
- Damage due to force majeure, such as lightning strikes, fire, flood, etc..
- Accident
- Misuse
- Abuse
- Negligence
- Commercial use
- Modification of any part of the product
- Damage due to incorrect operation or maintenance
- Connection to an incorrect voltage supply
- Attempted repair by anyone other than a facility authorized by Huntkey USA Inc. to service the product
- Products sold as is or with all faults
- Consumables, such as batteries
- Products where the factory applied serial number has been altered or removed

REPAIR REPLACEMENT AS PROVIDED UNDER THIS WARRANTY IS YOUR EXCLUSIVE REMEDY. HUNTKEY USA INC. SHALL NOT BE LIABLE FOR ANY INCIDENTAL OR CONSEQUENTIAL DAMAGES FOR THE BREACH OF ANY EXPRESS OR IMPLIED WARRANTY ON THIS PRODUCT, INCLUDING, BUT NOT LIMITED TO LOST DATA, LOSS OF USE OF YOUR PRODUCT, LOST BUSINESS OR LOST PROFITS. HUNTKEY USA INC. PRODUCTS MAKES NO OTHER EXPRESS WARRANTIES WITH RESPECT TO THE PRODUCT, ALL EXPRESS AND IMPLIED WARRANTIES FOR THE PRODUCT, INCLUDING, BUT NOT LIMITED TO, ANY IMPLIED WARRANTIES OF AND CONDITIONS OF MERCHANTABILITY AND FITNESS FOR A PARTICULAR PURPOSE, ARE LIMITED IN DURATION TO THE WARRANTY PERIOD SET FORTH ABOVE AND NO WARRANTIES, WHETHER EXPRESS OR IMPLIED, WILL APPLY AFTER THE WARRANTY PERIOD. SOME STATES, PROVINCES AND JURISDICTIONS DO NOT ALLOW LIMITATIONS ON HOW LONG AN IMPLIED WARRANTY LASTS, SO THE ABOVE LIMITATION MAY NOT APPLY TO YOU. THIS WARRANTY GIVES YOU SPECIFIC LEGAL RIGHTS, AND YOU MAY ALSO HAVE OTHER RIGHTS, WHICH VARY FROM STATE TO STATE OR PROVINCE TO PROVINCE.

Contact Huntkey USA Inc:

For customer service please call 1-800-975-7909

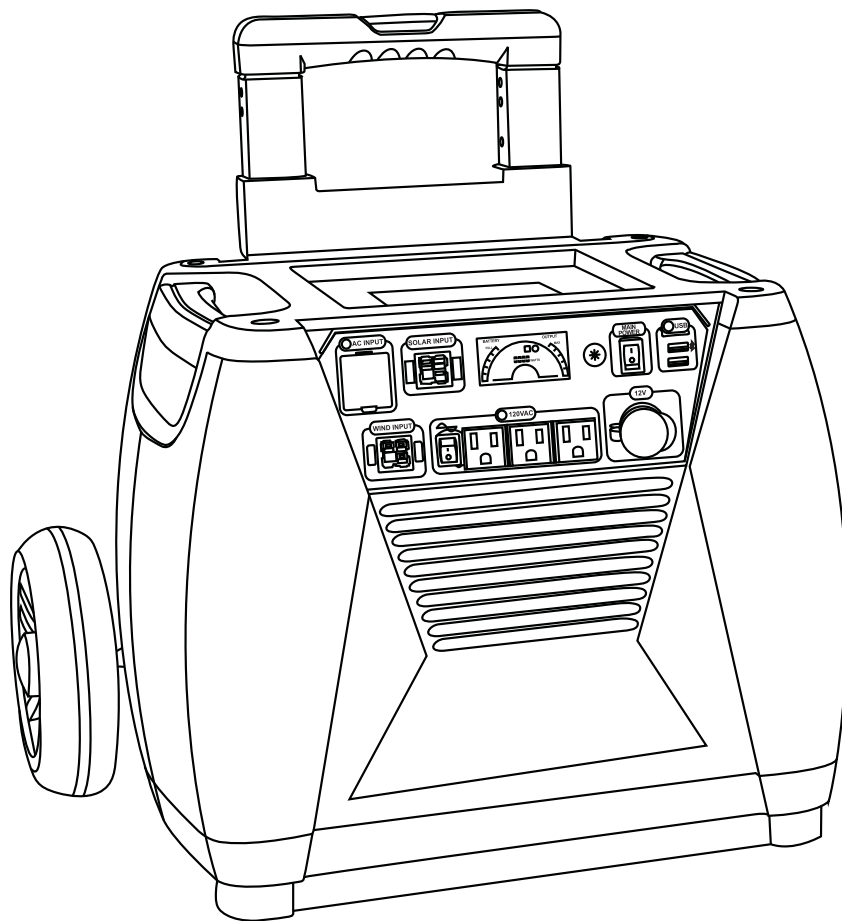
Huntkey USA, Inc.

3130 Paseo Mercado Suite 106

Oxnard, CA 93036

# Nature's Generator

## Manual del Usuario



# Nature's Generator

## El Sistema Generador más Inteligente e Infinitamente Expandible de la Naturaleza

### Contenido

Instrucciones de Seguridad Importantes .....	21
- Advertencia .....	21
- Precaución .....	22
Introducción .....	23
- Desempaca tu Nature's Generator .....	23
- Conoce tu Nature's Generator .....	24
Usando tu Nature's Generator .....	26
- Cómo Recargar tu Nature's Generator .....	26
- Cómo Usar tu Nature's Generator .....	27
- Cómo Leer la Pantalla LCD .....	28
- Cómo Usar la Llave Inteligente de tu Nature's Generator .....	29
- Cómo Expandir la Capacidad de tu Nature's Generator .....	29
- Cómo Mantener y Almacenar tu Nature's Generator .....	29
- Cómo Instalar el Carrito en tu Nature's Generator .....	30
Solución de Problemas .....	36
Especificaciones Técnicas .....	37
Garantía Limitada .....	38



## ***Instrucciones de Seguridad Importantes***

1. Lee estas instrucciones.
2. Guarda estas instrucciones.
3. Ten cuidado con todas las advertencias.
4. Sigue todas las instrucciones.
5. No uses este aparato cerca del agua.
6. No bloquee ninguna abertura de ventilación.
7. No lo uses cerca de gases inflamables o humo o de algún otro aparato que produzca una gran cantidad de calor.
8. Solo usa los aditamentos/accesorios especificados por el fabricante.
9. Usa solo con el carrito especificado por el fabricante o vendido con el aparato. Cuando uses un carrito, ten cuidado al mover la combinación de carrito / aparato para evitar lesiones por vuelco.
10. Remite todo el servicio técnico a personal de servicio calificado. El servicio se requiere cuando el aparato se ha dañado de alguna forma, por ejemplo si el cable de alimentación o el enchufe estuvieran dañados, si se hubiera derramado líquido o si hubiera caído algún objeto dentro del aparato, el aparato haya estado expuesto a la lluvia o la humedad, no funciona normalmente, o se haya caído.
11. El aparato no debe exponerse a goteos o salpicaduras, y no deben colocarse objetos llenos de líquidos, como jarrones, sobre el aparato.

## ***Advertencia***

### ***Peligro de Descarga Eléctrica***

Mantenlo lejos de los niños. El Nature's Generator genera la misma potencia de CA potencialmente letal que un tomacorriente de pared normal. Para reducir el riesgo de incendio o descarga eléctrica, no retires ninguna cubierta ni espongas el dispositivo a la lluvia o humedad. No insertes objetos extraños en la salida de CA ni en los orificios de ventilación.

### ***Peligro de Explosión***

No quemes ni incineres este artículo. Este artículo puede explotar, causando lesiones personales o daños. No lo uses cerca de gases o humos inflamables u otros aparatos que produzcan grandes cantidades de calor.

### ***Peligro de Rayos***

Para mayor protección para tu dispositivo durante una tormenta eléctrica, desenchúfalo de la toma de corriente y desconecta los cables. Esto ayuda a prevenir daños a la propiedad y lesiones personales causadas por rayos y sobrecargas de líneas eléctricas.

### ***Riesgo de Energía y Quemaduras***

Nature's Generator tiene una batería de plomo ácido sellada, que puede presentar un riesgo de quemadura debido a un cortocircuito.

### ***Piezas de repuesto***

Cuando se requieren piezas de repuesto, asegúrese de que el técnico de servicio use las piezas de repuesto especificadas por el fabricante que tengan las mismas características que la pieza original. Las sustituciones no autorizadas pueden provocar incendios, descargas eléctricas, lesiones personales u otros peligros.

### ***Verificación de seguridad***

Después de completar cualquier servicio o reparación de este dispositivo, pídale al técnico de servicio que realice las verificaciones de seguridad de rutina para determinar si su Nature's Generator está en las condiciones operativas correctas.

### ***Servicio***

Estas instrucciones de servicio son para uso exclusivo de personal calificado. Para reducir el riesgo de descarga eléctrica, no realice ninguna otra reparación que no sea la contenida en las instrucciones de funcionamiento, a menos que esté calificado para hacerlo.

### ***Precaución***

#### ***Daños que requieren servicio***

Deje de usar el Nature's Generator y remita el servicio al personal de servicio calificado bajo las siguientes condiciones:

- Si se ha derramado líquido o han caído objetos en su Nature's Generator.
- Si su Nature's Generator ha sido expuesto a la lluvia o el agua.
- Si su Nature's Generator se ha caído o dañado de alguna manera.
- Cuando su Nature's Generator muestra un cambio notable en el rendimiento.

### ***Clima frío***

Las temperaturas frías pueden afectar el rendimiento del Nature's Generator. Si se encuentra en un área con una consistencia por debajo de la congelación, le recomendamos que mantenga su Nature's Generator en un lugar aislado y conectado a un panel solar.

### ***Reciclaje y eliminación***

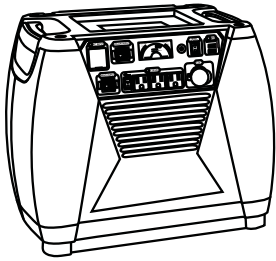
Su Nature's Generator puede contener materiales regulados por razones ambientales. Your Nature's Generator también contiene materiales que se pueden reciclar y reutilizar. Para ayudar a proteger el medio ambiente, comuníquese con las autoridades locales para obtener información sobre la eliminación o el reciclaje y sobre cómo encontrar un reciclador en su área antes de deshacerse de su Nature's Generator.

## **Introducción**

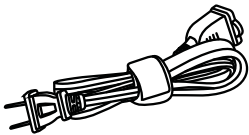
Felicidades por tu nuevo Nature's Generator, un generador de vanguardia que brinda energía confiable para emergencias, servicios fuera de la red o donde se necesita energía. Con la aplicación de Nature's Generator llamada Nature's Pulse, puedes diagnosticar el sistema de forma proactiva, hacer seguimiento del uso y comunicar los problemas.

## **Desempacando Nature's Generator**

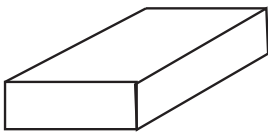
### 1. Nature's Generator



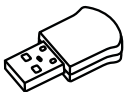
### 2. Cable de alimentación de CA (en el compartimiento de almacenamiento trasero)



### 3. Caja del Carrito del Panel Solar



### 4. Llave Inteligente

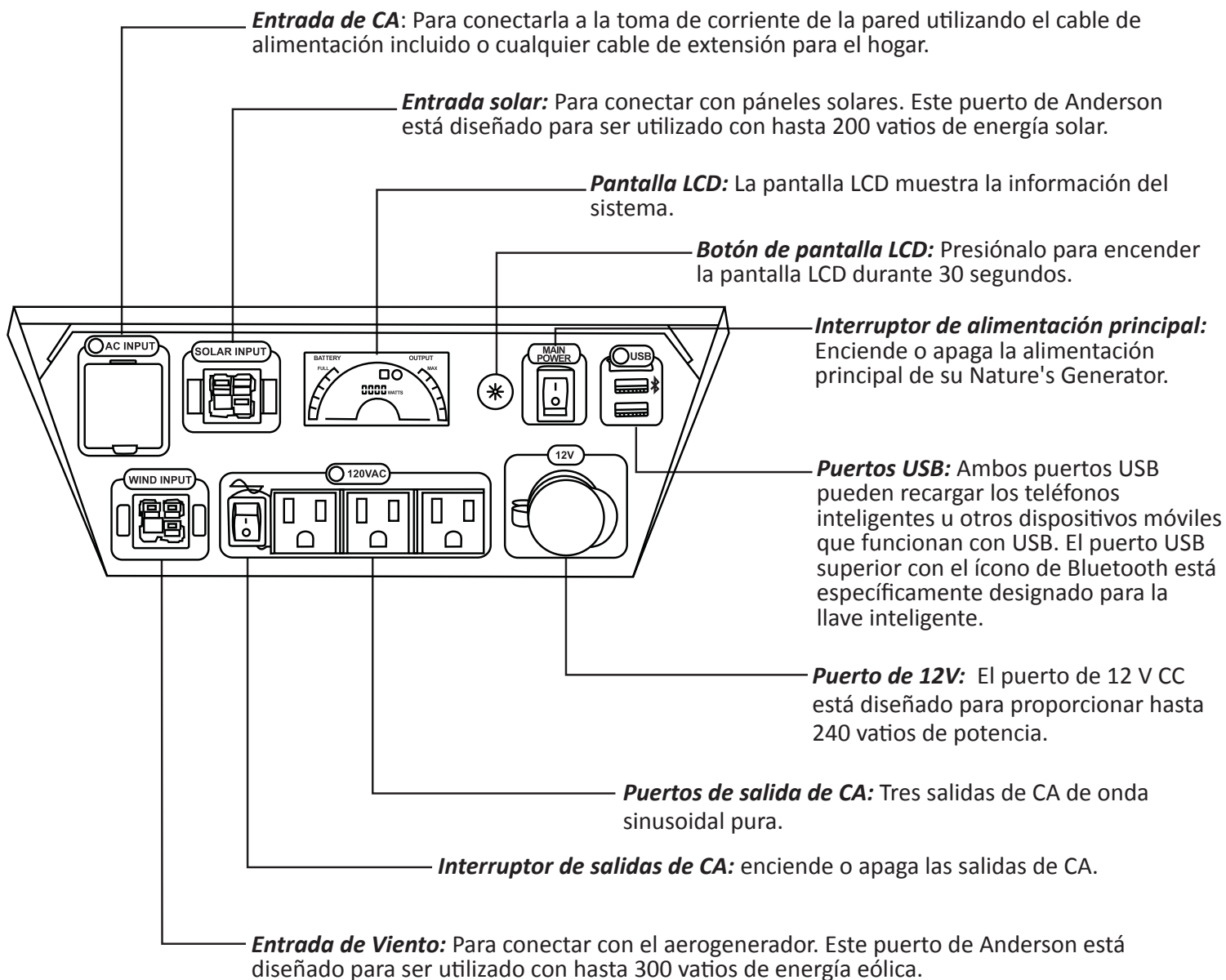


### 5. Esta Guía del Usuario

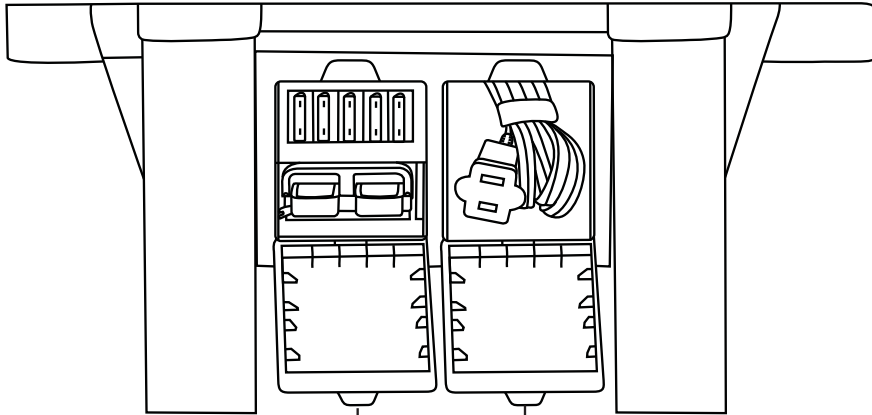


# Conoce tu Nature's Generator

## Panel Frontal



## Panel posterior



**Almacenamiento:** Para almacenar el cable de alimentación.

**Cable de expansión:**  
Fusibles tipo cadena y conector de cadena.  
Para usar con el Power Pod de Nature's Generator.

## ***Cómo usar el Nature's Generator***

### ***Cómo Recargar tu Nature's Generator***

#### ***Cargando con Páneles Solares***

1. Coloca tu panel solar donde reciba la mayor cantidad posible de luz solar directa. Si bien siempre se prefiere la luz solar directa, los páneles solares deben estar conectados en todo momento para proporcionar una carga de goteo constante a tu batería. Los páneles solares también enviarán carga a tu unidad mientras se encuentre en cielos nublados.
2. Inserta el enchufe del panel solar en el puerto de Entrada Solar en la parte frontal de su Nature's Generator. Sabrás que se está cargando cuando se encienda la pantalla LCD, el icono del panel solar se ilumine y la barra de la batería comience a registrarse. La barra de la batería dejará de registrarse cuando la batería de la pantalla LCD esté llena o no haya suficiente energía del panel solar.
3. Se tarda entre 10 y 15 horas en recargar el Nature's Generator si se usa un panel solar de 100 vatios, y también depende de la fuerza de la luz solar.
4. Para aumentar la velocidad de recarga, puedes conectar en cadena varios páneles solares en conexión paralela. El puerto de entrada solar puede manejar hasta 200 vatios de energía solar. Visita [naturesgenerator.com](http://naturesgenerator.com) para obtener información sobre la compra de páneles solares adicionales.

#### ***Cargando con la Turbina Eólica***

1. Coloca tu aerogenerador donde reciba la mayor cantidad de viento posible.
2. Inserta el enchufe de la turbina eólica en el puerto de entrada de viento en la parte frontal de tu Nature's Generator. Sabrás que se está cargando cuando se enciende la pantalla LCD, se enciende el ícono del aerogenerador y la barra de batería comienza a registrarse. La barra de la batería dejará de registrarse cuando la batería en la pantalla LCD esté llena o no haya suficiente energía del aerogenerador.
3. La velocidad de recarga depende de la potencia nominal del aerogenerador y de la fuerza del viento. El puerto de entrada de viento puede manejar hasta 300 vatios de energía eólica. Visita [naturesgenerator.com](http://naturesgenerator.com) para obtener más información sobre el aerogenerador.

#### ***Cargando con Alimentación de CA***

1. Localiza el cable de alimentación en el compartimiento de almacenamiento trasero en la parte posterior del Nature's Generator.
2. Inserta el cable de alimentación en el puerto de entrada de CA en la parte frontal del Nature's Generator.
3. Conecta el otro extremo del cable de alimentación a la toma de corriente de la pared. Sabrás que se está cargando cuando se encienda la pantalla LCD, el icono de entrada de CA se ilumine en la pantalla LCD y la barra de batería comience a registrarse. La barra de batería deja de registrarse cuando la batería está llena.

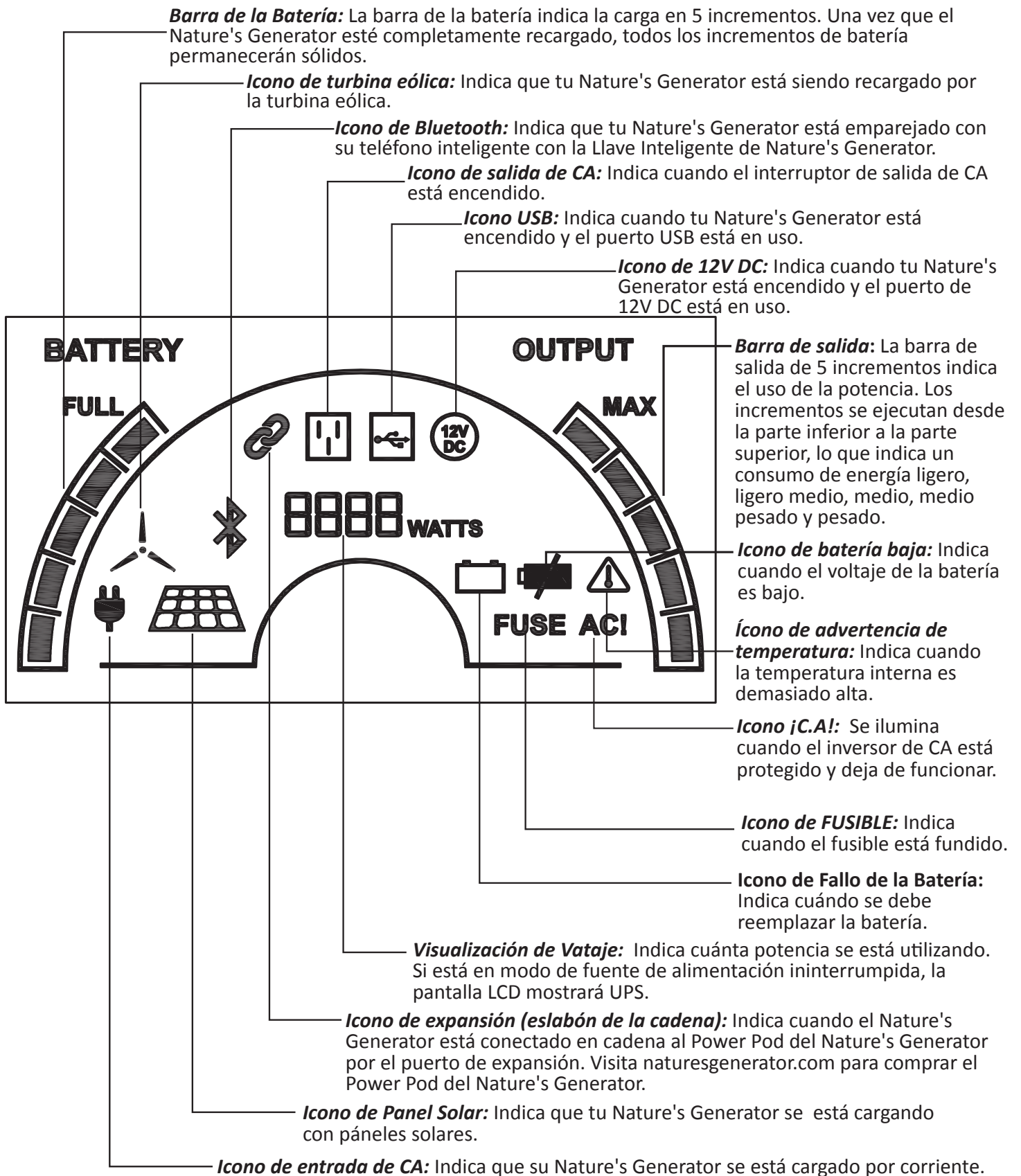
## ***Cómo usar tu Nature's Generator***

1. Presiona el interruptor de alimentación principal para encender tu Nature's Generator. Los puertos USB se encenderán automáticamente cuando el interruptor de alimentación principal esté encendido.
2. Presiona el interruptor de salida de CA para encender las salidas de CA. Cuando no uses los tomacorrientes de CA, asegúrate de apagar el interruptor de la toma de CA para ahorrar energía.
3. Sabrás que el puerto está encendido cuando el ícono se ilumine en la pantalla LCD.
4. Enchufa cualquiera de tus dispositivos.

### ***Modo de fuente de alimentación ininterrumpida (UPS)***

1. Puedes recargar Nature's Generator y recargar tus dispositivos al mismo tiempo.
2. Si recargas tu Nature's Generator al mismo tiempo que alimentas tus dispositivos de CA desde los puertos de salida de CA, tu Nature's Generator se convierte en una fuente de alimentación ininterrumpida. Tus dispositivos de CA recibirán energía directamente de la toma de CA. Si se corta la energía, tu Nature's Generator ya estará funcionando y listo para suministrar energía a los dispositivos de CA conectados.
3. La pantalla LCD muestra UPS cuando está en modo UPS.

## Cómo leer la pantalla LCD





## ***Cómo usar la Llave Inteligente de su Nature Generator***

1. Enciende el interruptor de alimentación principal de tu Nature's Generator.
2. Conecta tu Llave Inteligente de Nature's Generator al puerto USB superior con el ícono de Bluetooth en su lado derecho.
3. Si aún no lo has hecho, haz clic en App Store<sup>SM</sup> en tu iPhone<sup>TM</sup> o Google Play<sup>TM</sup> en tu teléfono Android<sup>TM</sup>.
4. Busca la aplicación "Nature's Pulse" e instálala.
5. Después de instalar la aplicación, sigue las instrucciones de la aplicación para registrar tu cuenta antes de iniciar sesión en la página de inicio.
6. Presiona el botón "Conectar" en la página de inicio. La aplicación buscará la Llave Inteligente de Nature's Generator y encontrará tu Nature's Generator.
7. Una vez conectado, puedes comenzar a disfrutar de las funciones inteligentes, como el diagnóstico del sistema, el seguimiento del historial y muchas otras funciones.

## ***Cómo expandir la capacidad del Nature's Generator***

Puedes extender el tiempo de ejecución de tu Nature's Generator conectándolo a la Power Pod de Nature's Generator. Visita [naturesgenerator.com](http://naturesgenerator.com) para comprar un Power Pod del Nature's Generator.

1. Abre la cubierta superior del Nature's Generator Power Pod, ubica el cable de expansión y extiende el cable de expansión del Nature's Generator Power Pod a través de la abertura en la parte posterior del Nature's Generator Power Pod.
2. Localiza el puerto de expansión en la parte posterior de tu Nature's Generator y abre la cubierta de goma.
3. Conecta el cable de expansión al puerto de expansión.
4. El ícono de Expansión (enlace de cadena) se iluminará en la pantalla LCD para indicar que está conectado.

Experimentarás un aumento en el tiempo de ejecución de aproximadamente 167% al agregar un Nature's Generator Power Pod, aproximadamente 333% al agregar dos Nature's Generator Power Pods y al 500% al agregar tres Nature's Generator Power Pods.

## ***Cómo Mantener y Almacenar el Nature's Generator***

Recarga tu Nature's Generator una vez cada cuatro meses y almacénalo en un lugar ventilado, fresco y seco. Si es posible, conecta tu Nature's Generator a una fuente de alimentación, como la toma de corriente de la pared, el panel solar o la turbina eólica mientras está almacenado para completar el voltaje de la batería. Esto mantiene la batería sana y prolonga su vida útil. Si no se realiza el mantenimiento de Nature's Generator mediante estos pasos, se puede dañar la batería, lo que anulará la garantía del producto.

Limpia el Nature's Generator con un paño suave y sin pelusas. Si tu Nature's Generator está especialmente sucio, humedece un paño suave y sin pelusa en una solución de detergente débil, exprime el exceso de humedad del paño y luego limpia el gabinete con el paño. Usa un paño limpio para secar tu Nature's Generator.

## Cómo Instalar el Carro en el Generador de su Naturaleza

Lo que está incluido:

### Herramientas



Llave de vaso × 2 piezas



Llave de 10mm × 1pc

### Piezas del Carrito



Marpasos × 2 piezas



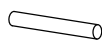
Perno y tuerca M6 30mm × 2 piezas



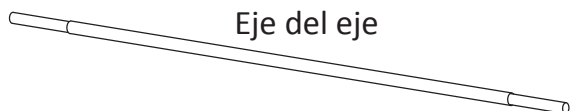
M6 100mm Perno × 2 unidades



Contratuerca × 2 piezas



Buje de eje × 2 piezas



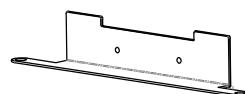
Eje del eje



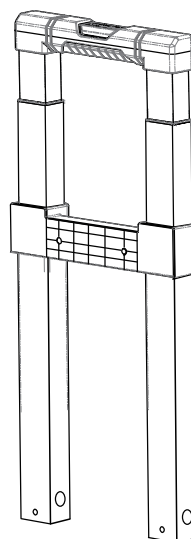
Rueda × 2pcs



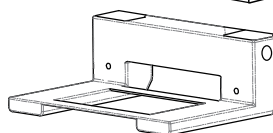
Tapa del cubo × 2pcs



Soporte de Generador

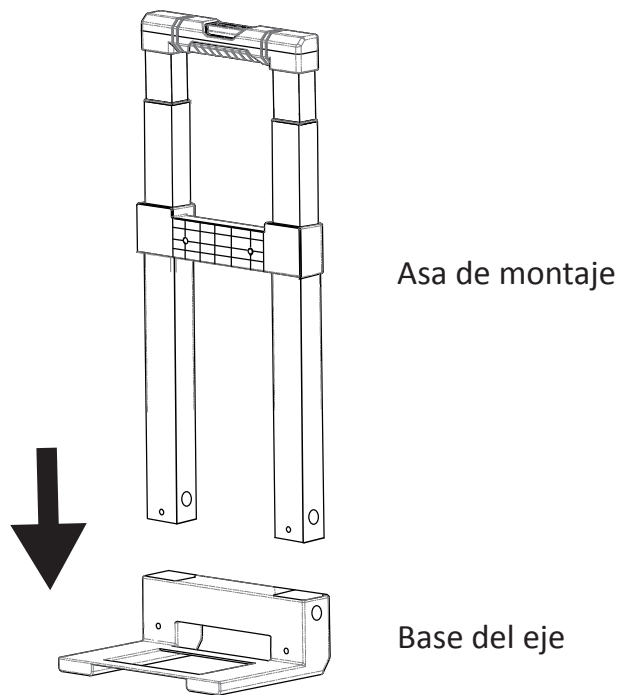


Asa de Montaje

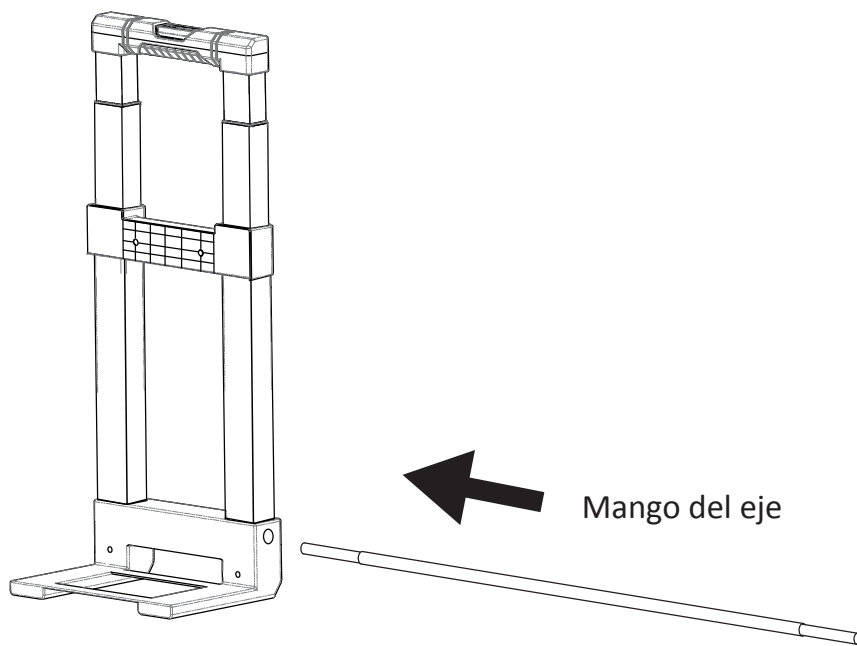


Base del Eje

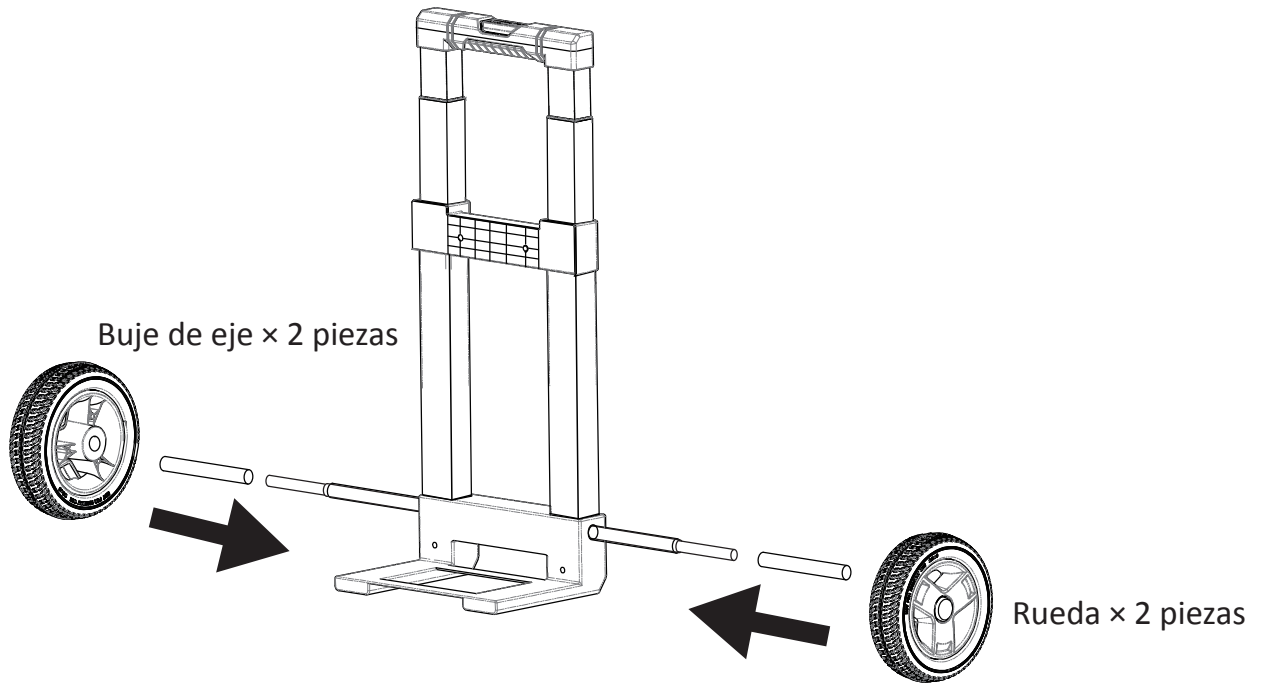
Paso 1:



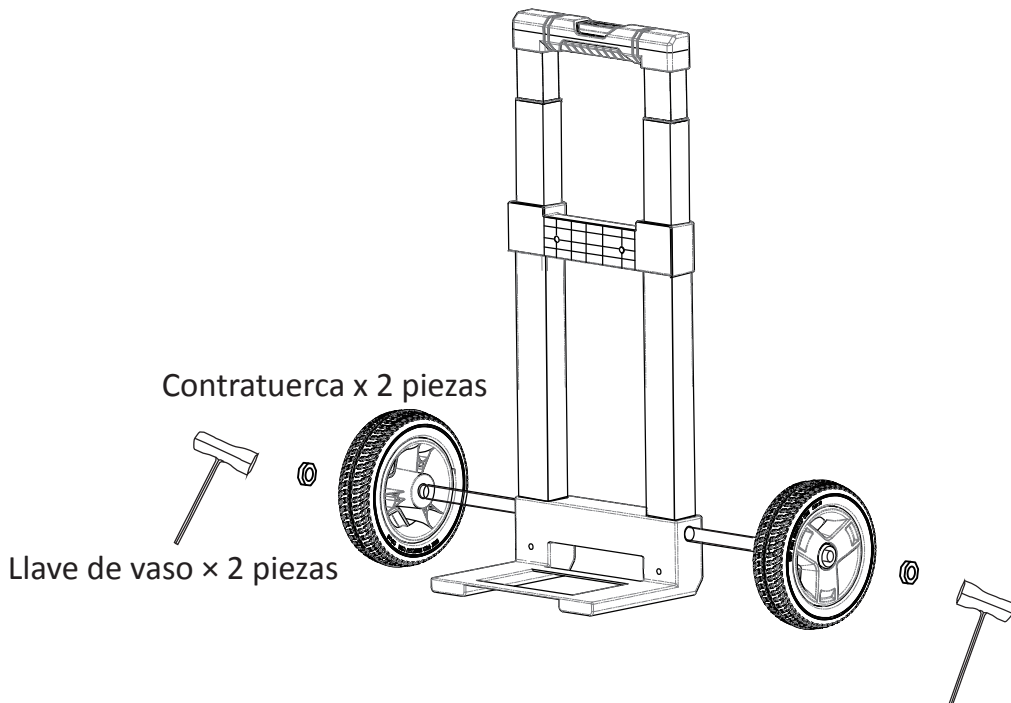
Paso 2:



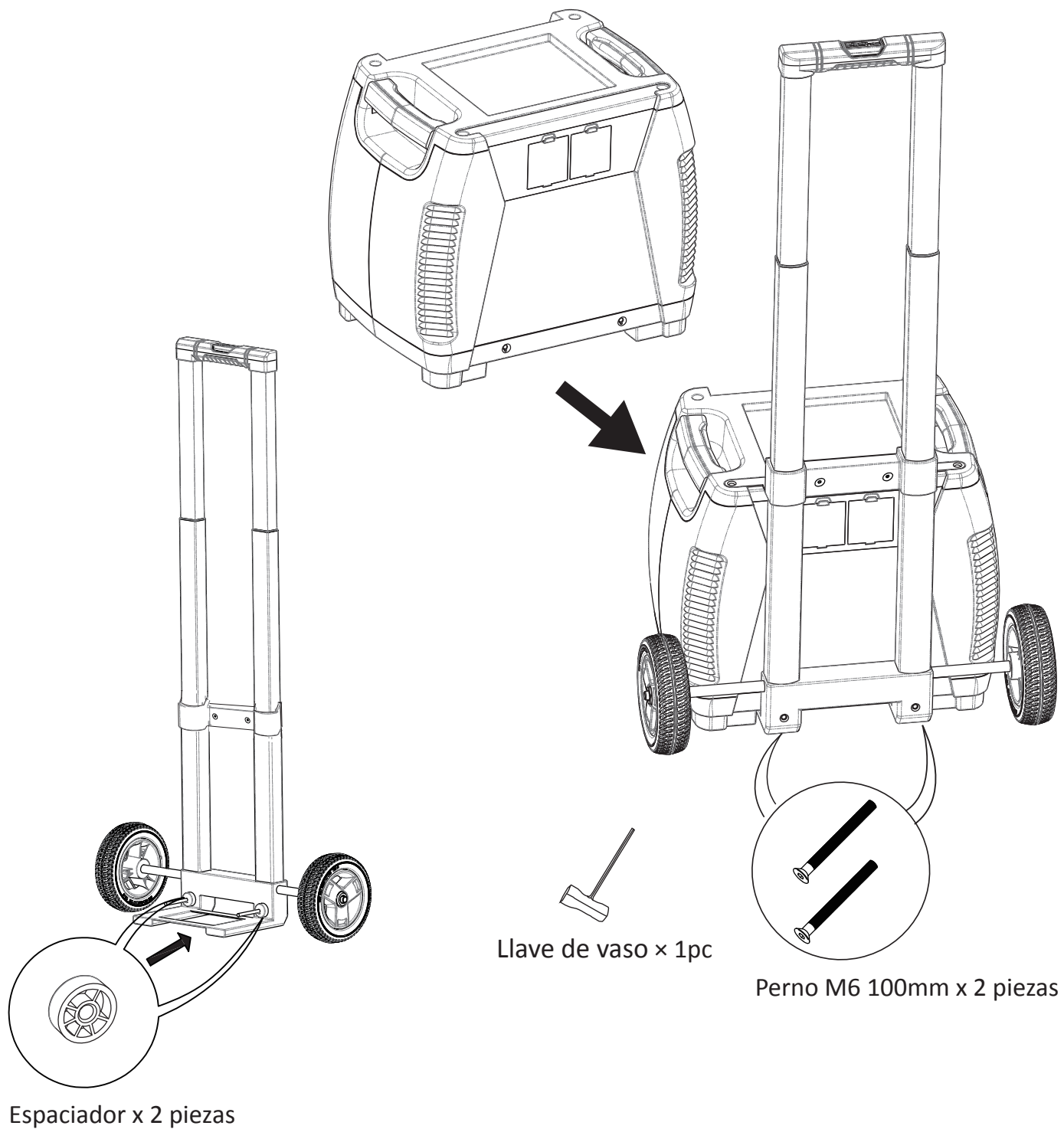
Paso 3:



Paso 4:

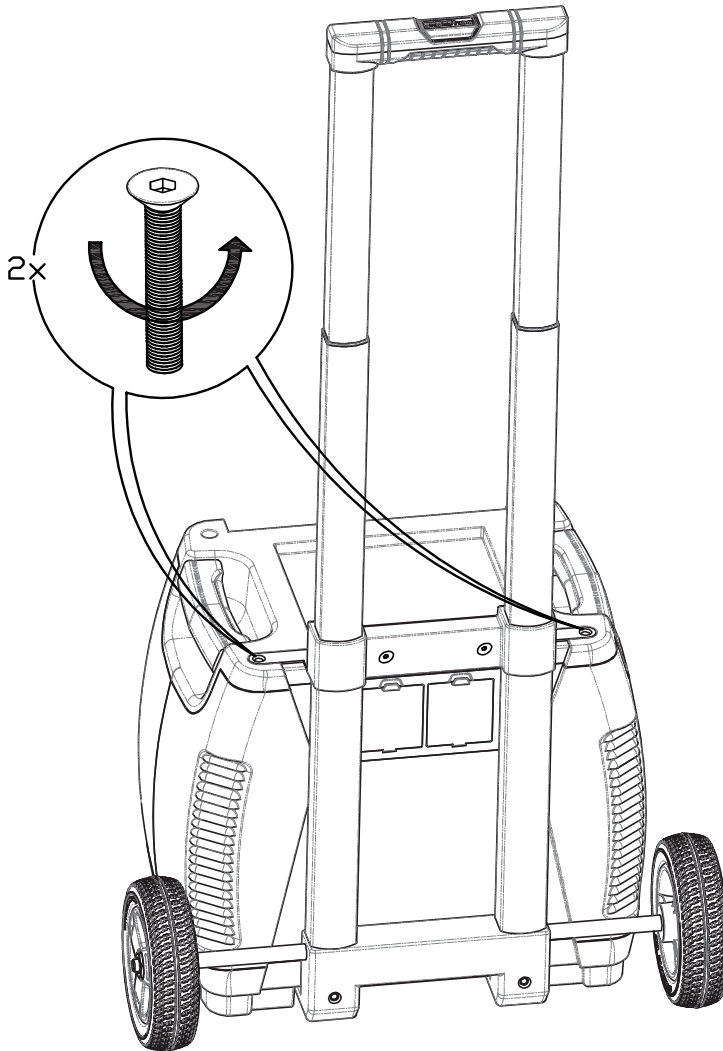


Paso 5:



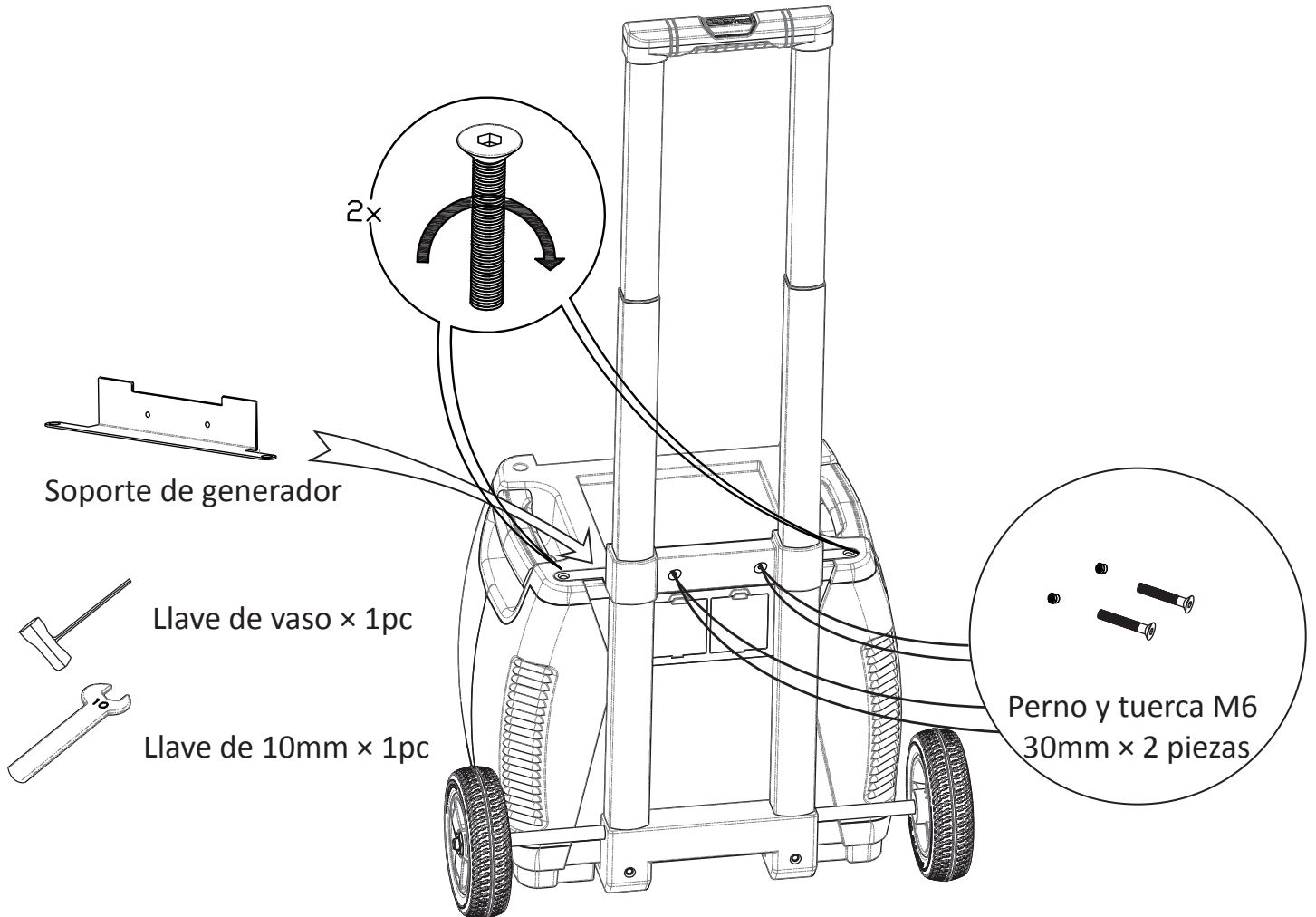
Paso 6:

Retire los dos tornillos existentes del Nature's Generator y reserve para su reutilización en el paso 7.



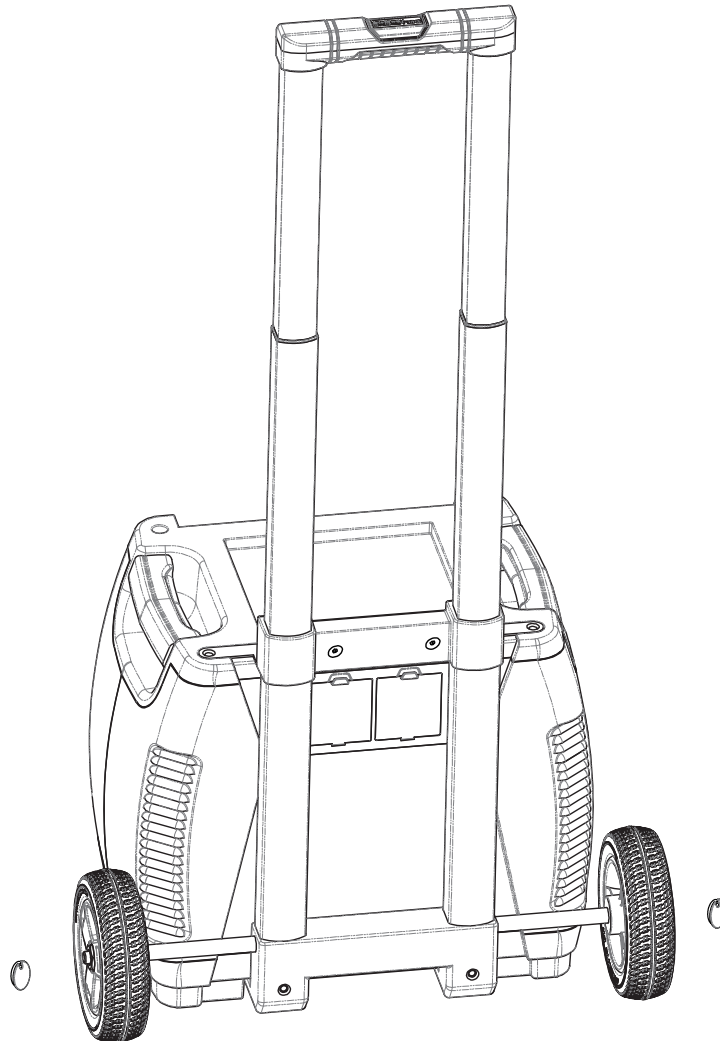
Paso 7:

Vuelva a insertar los tornillos una vez que el soporte del Generator esté en su lugar.



Paso 8:

Después de ajustar la distancia entre la rueda y el Nature's Generator, coloca las tapas de cubo en las ruedas.



Cubo del cubo x 2 piezas



## ***Solución de problemas***

### ***El Nature's Generator no se carga cuando le conecto mi panel solar.***

Por favor sigue estos pasos.

1. Asegúrate de que el panel solar apunte directamente hacia el sol. Es preferible colocar el panel solar orientado hacia el sur. El panel solar puede producir poca o nada de energía si se coloca en la sombra.
2. Verifica la conexión del cable en Nature's Generator y asegúrate de que esté correctamente conectado.
3. La pantalla LCD se enciende pero la batería no está funcionando. Esto significa que el panel solar ha cargado completamente el Nature's Generator o el panel solar no tiene el voltaje suficiente para recargar el Nature's Generator.

### ***Mis dispositivos de CA no se están obteniendo poder del Nature's Generator.***

Por favor sigue estos pasos:

1. Verifica que tu dispositivo sea adecuado para su uso con su Nature's Generator. Las salidas de CA de Nature's Generator funcionan solo con 120 VCA y hasta 1800 vatios en tres salidas combinadas.
2. Asegúrate de que el interruptor de alimentación principal esté encendido.
3. Comprueba la barra de la batería. Si solo hay tres barras o menos, recarga tu Nature's Generator. Algunos dispositivos de CA consumen grandes cantidades de energía y se recomienda recargar tu Nature's Generator por completo antes de un uso intenso.
4. Asegúrate de que el interruptor de la toma de CA esté encendido. La luz LED debe ser verde.
5. Si la luz LED está roja, verifica los iconos de falla en la pantalla LCD.
  - a. Icono de falla de la batería: reemplaza la batería.
  - b. Icono de batería baja: recarga tu batería antes de usarla.
  - c. Icono de advertencia de temperatura: la temperatura interna es demasiado alta. Por favor, deja que se enfríe antes de intentar usarlo de nuevo.
  - d. Icono de FUSIBLE: Reemplaza los fusibles.
  - e. Icono ¡C.A! : El inversor AC está siendo protegido. Desenchufa el dispositivo de CA, apaga el interruptor de la toma de CA y vuelve a encenderlo para volver a intentarlo.

### ***La batería de Mi Nature's Generator se agota rápidamente.***

Por favor sigue estos pasos.

1. Verifica el vataje de tu (s) dispositivo (s) de CA. Algunos dispositivos como un secador de pelo, microondas o vacío consumen grandes cantidades de energía y, por lo tanto, la batería se agota rápidamente. Por favor, siempre supervisa la información de salida de vataje en la pantalla LCD.
2. Cuando tu dispositivo de CA no esté en uso, apaga las salidas de CA de tu Nature's Generator para ahorrar energía. Los tomacorrientes de CA consumen una cantidad considerable de energía mientras están en modo de espera.
3. Cuando Nature's Generator no esté en uso, apaga el interruptor de alimentación principal y para eliminar el desgaste innecesario de la batería para apagar la pantalla LCD y los puertos USB.

## **Especificaciones técnicas**

### **Batería:**

Tipo: Ácido de plomo sellado AGM

Capacidad: 60Ah (720Wh)

Autodescarga: se recomienda recargar cada 4 meses

### **Inversor:**

Potencia de salida: 1800 vatios máx. / 1440 continuo

Voltaje de salida: 120 Voz

de salida: 60 Hz

### **Puertos:**

Puerto USB: 5V, hasta 3A (15W)

12V DC Puerto: hasta 20A (240W máx.)

Puerto de expansión: fusible 200A

### **Cargas:**

Cargador de CA: 90W

AC Indicador del cargador: rojo (cargando) y verde (cargado)

Cargador solar: 200 vatios

Cargador de viento: 300 vatios

### **General:**

Dimensiones: 18 x 12 x 15 in (47 x 30 x 38 cm) sin carrito

23 x 17 x 22 in (57 x 42 x 55 cm) con carro

Temperatura de funcionamiento: 32-104 ° F (0-40 ° C)

Temperatura de almacenamiento: 23-111 ° F (-5-45 ° C)

Peso: 83 lbs (37.6 kg)

## ***Garantía limitada***

### ***Garantía limitada de un año***

Garantía limitada de un año

Huntkey USA Inc. te garantiza a ti, el comprador original de este nuevo producto, que el producto estará libre de defectos en la fabricación original del material o mano de obra por un período de un (1) año a partir de la fecha original de compra de El producto ("Período de garantía"). Este producto se debe comprar en un distribuidor autorizado y se debe empaquetar con esta declaración de garantía. Esta garantía no cubre productos restaurados.

### ***¿Qué cubre esta garantía?***

Durante el Período de garantía, si un fabricante autorizado determina que la manufactura o el material original del producto es defectuoso, Huntkey USA Inc. (a su exclusivo criterio): (1) reparará el producto con piezas nuevas o reconstruidas ; o (2) reemplazará el producto sin costo alguno por productos o partes nuevas o reconstruidas similares. Los productos y las piezas reemplazadas bajo esta garantía se convierten en propiedad de Nature's Generator y no se te devuelven. Si se requiere el servicio de productos o piezas después del vencimiento del período de garantía, debes pagar todos los cargos por mano de obra y piezas. Esta garantía dura mientras seas propietario de tu producto durante el Período de garantía. La cobertura de la garantía termina si vendes o transfieres el producto.

### ***¿Cómo obtener servicio de garantía?***

Llama al 1-800-975-7909 de lunes a viernes, de 9:00 a.m. a 5:00 p.m. PST. Se te proporcionará un número de Autorización de devolución de mercancía (RMA) e instrucciones de devolución. Enviar producto a:

Huntkey USA, Inc.  
3130 Paseo Mercado Suite 106  
Oxnard, CA 93036

Incluye el número de RMA que se muestra prominentemente en la caja de envío e incluye tu nombre, número de teléfono y dirección con el producto dentro de la caja.

### ***¿Dónde es válida la garantía?***

Esta garantía es válida solo para el comprador original del producto en Norteamérica (Estados Unidos, Canadá y México).

### ***¿Qué es lo que no cubre la garantía?***

Esta garantía no cubre:

- Daños cosméticos
- Daños debidos a causas de fuerza mayor, tal como rayos
- Accidentes
- Uso inapropiado
- Abuso
- Negligencia
- Uso comercial
- Modificación de alguna parte del Producto
- Daño debido al uso o mantenimiento inapropiado
- Conexión a una fuente de voltaje incorrecta
- Intento de reparación por personal no autorizado por Dynex para reparar el Producto
- Productos vendidos tal cual (en el estado en que se encuentran) o con todas sus fallas
- Consumibles, tales como fusibles o baterías
- Productos en los cuales el número de serie asignado en la fábrica ha sido alterado o removido

EL REEMPLAZO O LA REPARACIÓN ESTIPULADOS BAJO ESTA GARANTÍA SON SU RECURSO EXCLUSIVO. HUNTKEY USA INC. NO SERÁ RESPONSABLE POR DAÑOS INCIDENTALES O CONSECUENTES DEBIDO AL INCUMPLIMIENTO DE CUALQUIER GARANTÍA EXPRESA O IMPLÍCITA RELACIONADA CON ESTE PRODUCTO, INCLUYENDO PERO SIN LIMITARSE A ELLO, LA PÉRDIDA DE DATOS, LA IMPOSIBILIDAD DE USO DE SU PRODUCTO, LA PÉRDIDA DE NEGOCIOS O DE GANANCIAS. HUNTKEY USA INC. PRODUCTS NO OFRECE NINGUNA OTRA GARANTÍA EXPRESA RELACIONADA CON ESTE PRODUCTO, INCLUYENDO PERO SIN LIMITARSE A, CUALQUIER GARANTÍA IMPLÍCITA Y CONDICIONES DE COMERCIALIZACIÓN E IDONEIDAD PARA UN USO PARTICULAR, ESTÁN LIMITADAS EN DURACIÓN AL PERÍODO DE GARANTÍA DECLARADO ANTERIORMENTE Y NINGUNA GARANTÍA YA SEA EXPRESA O IMPLÍCITA SE APLICARÁ DESPUÉS DEL PERÍODO DE GARANTÍA. ALGUNOS ESTADOS, PROVINCIAS Y JURISDICCIONES NO PERMITEN RESTRICCIONES EN CUANTO A LA DURACIÓN DE UNA GARANTÍA IMPLÍCITA, ASÍ QUE LA RESTRICCIÓN ANTERIOR PUEDE NO APLICARSE EN SU CASO. ESTA GARANTÍA LE DA DERECHOS LEGALES ESPECÍFICOS, Y USTED PUEDE POSEER OTROS DERECHOS QUE VARÍAN DE ESTADO A ESTADO, O DE PROVINCIA A PROVINCIA.

Comuníquese con Huntkey USA Inc:

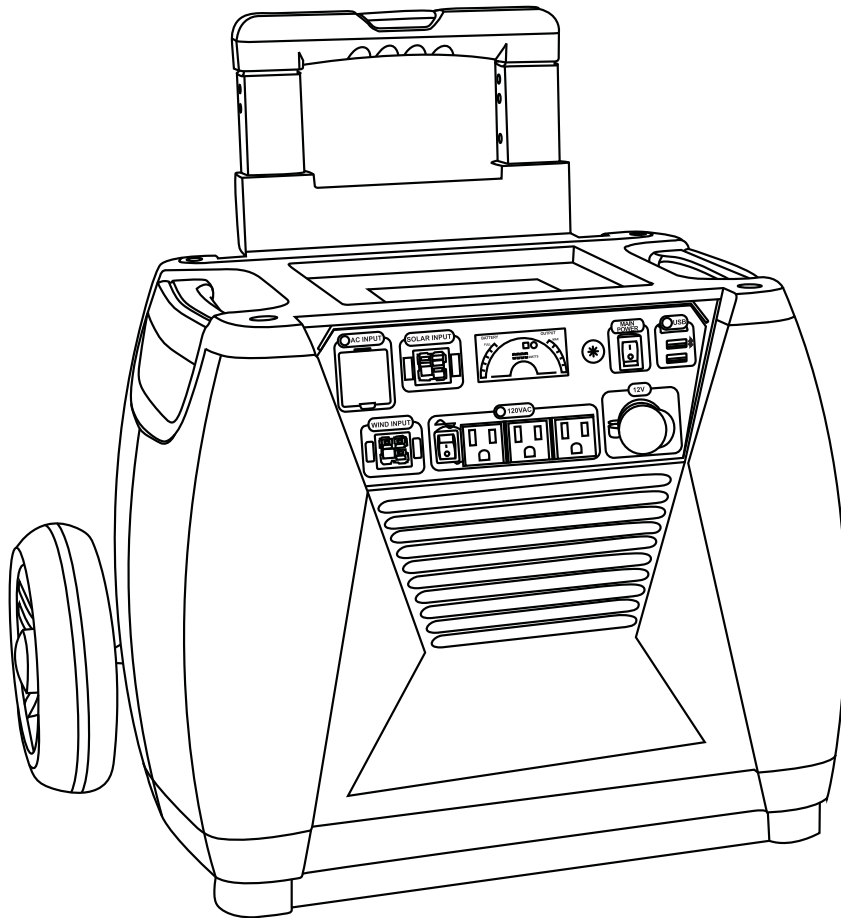
Para servicio al cliente favor llamar al 1-800-975-7909

Huntkey USA, Inc.

3130 Paseo Mercado Suite 106

Oxnard, CA 93036

# Manuel d'utilisation de Nature's Generator



# Nature's Generator

## Le système de générateur infiniment expansible le plus intelligent

### Contenu

Instructions de sécurité importantes .....	41
- Avertissement .....	41
- Attention .....	42
Introduction .....	43
- Déballer votre Nature's Generator .....	43
- Apprendre à connaître votre Nature's Generator .....	44
Utiliser votre Nature's Generator .....	46
- Comment recharger votre Nature's Generator .....	46
- Comment utiliser votre Nature's Generator .....	47
- Comment lire l'écran LCD .....	48
- Comment utiliser la clé intelligente de votre Nature's Generator .....	49
- Comment expandre la capacité de votre Nature's Generator .....	49
- Comment entretenir et entreposer votre Nature's Generator .....	49
- Comment installer le panier à votre Nature's Generator .....	50
Aide en cas de problème .....	57
Spécifications techniques .....	58
Garantie Limitée .....	59

## ***Instructions de sécurité importantes***

1. Lire ces instructions.
2. Garder ces instructions.
3. Prendre compte de tous les avertissements.
4. Suivre toutes les instructions.
5. Ne pas utiliser cet appareil près de l'eau.
6. Ne pas bloquer les sorties de ventilation.
7. Ne pas utiliser près de gaz ou de vapeur inflammable ou d'autres appareils produisant de grande quantité de chaleur.
8. Utiliser seulement les accessoires et attachements spécifiés par le fabricant.
9. Utiliser avec panier spécifié par le manufacturier ou vendu avec l'appareil. Lorsque le panier est usé, faites attention lorsque vous bougez la combinaison panier/appareil pour éviter les blessures dû à un renversement.
10. Référez vous à des personnes qualifiés pour toute réparation. Les réparations requise pour les appareils endommagés de toutes façon, comme le câble d'alimentation endommagé, du liquide tombé ou des objet tombés sur l'appareil, l'appareil été exposé à la pluie ou à l'humidité, ne fonctionne pas normalement ou a été échappé.
11. L'appareil ne devrait pas être exposé à des goutte ou des éclaboussures et aucun objet rempli de liquides, comme des vases, devraient être placés sur l'appareil.

## ***Avertissement***

### ***Danger de choc électriques***

Garder cet appareil hors de portée des enfants. Le Nature's Generator génère la même quantité d'électricité létale qu'une sortie murale d'une maison. Pour réduire le risque de feu ou de choc électrique, ne retirez pas les couverture ou n'exposez pas l'appareil à la pluie et l'humidité. N'insérez pas d'objets étrangers dans la prise ou dans les trou de ventilation.

### ***Danger d'exploser***

Ne brûlez ou n'incinerez pas cet item. Cet item pourrait exploser, ce qui pourrait vous blesser ou faire d'autres dommages. Ne pas utiliser près de gaz ou de vapeur inflammable ou près d'autres appareils qui produisent une grande quantité de chaleur.

### ***Danger d'éclair***

Pour plus de protection durant un orage, débranchez-le de la prise de courant et déconnectez les câbles. Cela aide à protéger la propriété ainsi que les personnes des éclairs et des parasurtenseur.

### ***Danger d'énergie et de brûlure***

Nature's Generator a une batterie d'acide scellée, ce qui peut présenter un risque de brûlure en cas de court circuit.

### ***Pièces de remplacement***

Lorsque des pièces de remplacement sont requises, assurez vous que le technicien de service utilise les pièces spécifiée par le fabricant qui ont les mêmes caractéristiques que la pièce originale. Des substitutions non-autorisée pourrait résulter en feu, choc électrique, blessures ou autres dangers.

### ***Vérification de sécurité***

Après avoir complété tout services ou réparation de cet appareil, demandez au technicien de service de faire une vérification de sécurité pour s'assurer que votre Nature's Generator est en bonne condition d'opération.

### ***Entretien***

Ces instructions d'entretien sont conçu pour être utilisé par un personnel de service seulement. Pour réduire les risques de chocs électriques, ne faites pas de maintenance autre que ceux écrites dans les instructions d'opération, sauf si vous êtes qualifié.

### ***Attention***

#### ***Dommmages demandant une réparation***

Cessez l'utilisation du Nature's Generator et référez-vous à un personnel qualifié si une de ces conditions a lieu:

- Si le liquide a été échappé ou des objets sont tombés dans votre Nature's Generator
- Si le Nature's Genertor a été exposé à la pluie ou à de l'eau.
- Si votre Nature's Generator a été échappé en endommagé de quelconque façon.
- Lorsque votre Nature's Generator a des changements distincts dans sa performance.

### ***Temps froid***

Les températures basses peuvent avoir un impact sur la performance du Nature's Generator. Si vous êtes dans une zone qui sera continuellement sous le point de gel, nous vous recommandons de garder la Nature's Generator dans un endroit isolé et connecté à votre panneau solaire.

### ***Recyclage et disposition***

Votre Nature's Generator pourrait contenir des matériaux qui sont réglementé pour des raisons environnementales. Votre Nature's Generator contient aussi des matériaux qui peuvent être recyclé et réutilisé. Pour aider à protéger l'environnement, contactez les autorités locales pour savoir comment vous débarrasser votre Nature's Generator.

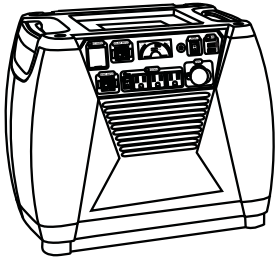


## **Introduction**

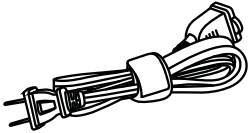
Félicitations pour l'achat de votre nouveau Nature's Generator, une génératrice qui fournit une puissance fiable pour les urgences, vivre hors-réseau, ou n'importe où où vous avez besoin d'électricité. Avec l'application Nature's Pulse du Nature's Generator, vous pouvez diagnostiquer proactivement le système, suivre l'utilisation et communiquer les problèmes.

## **Déballer votre Nature's Generator**

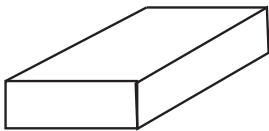
### 1. Nature's Generator



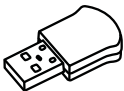
### 2. Cordons d'alimentation AC (dans le compartiment arrière)



### 3. Boîte de panier pour panneau solaire



### 4. Clé intelligente

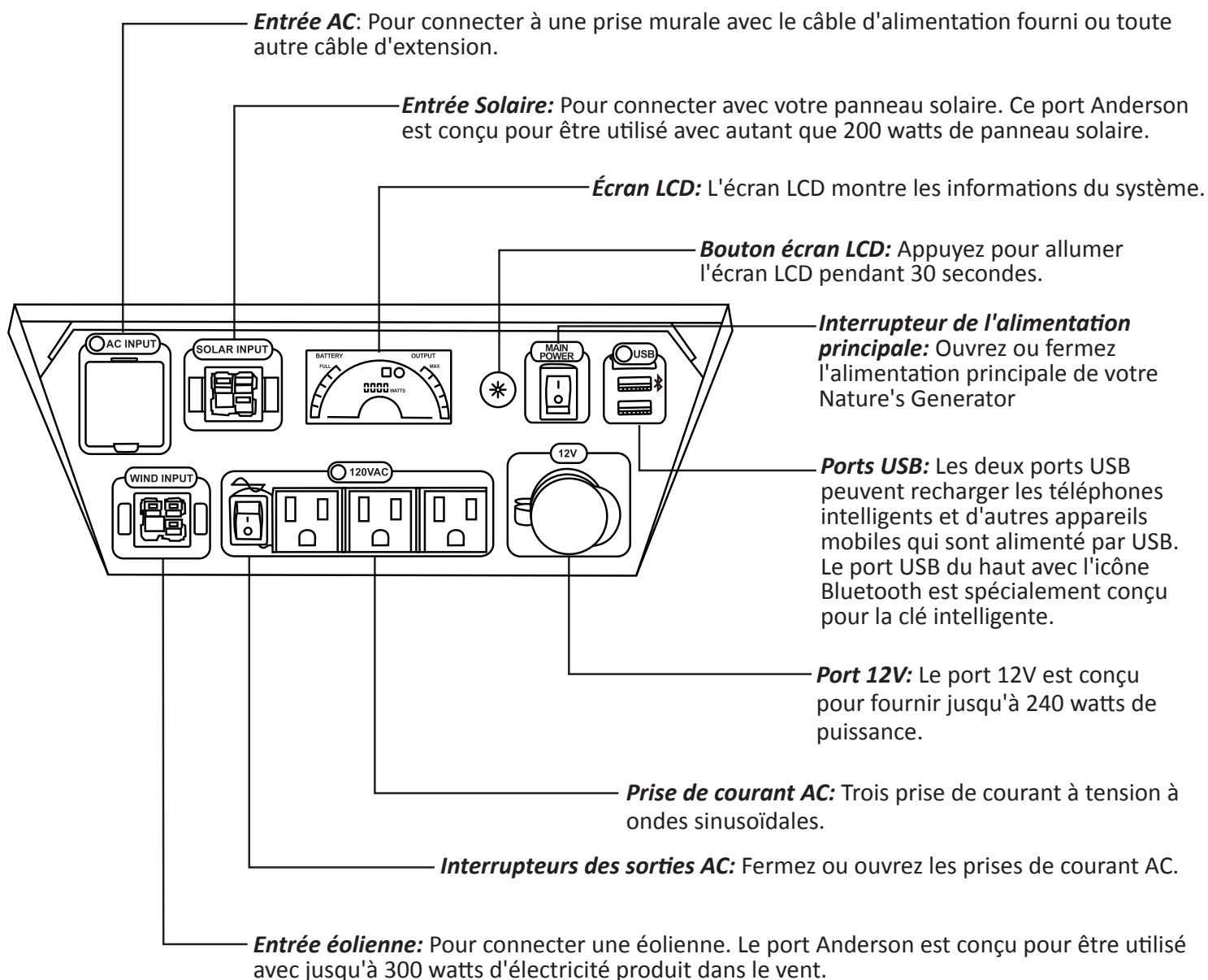


### 5. Ce manuel d'utilisation

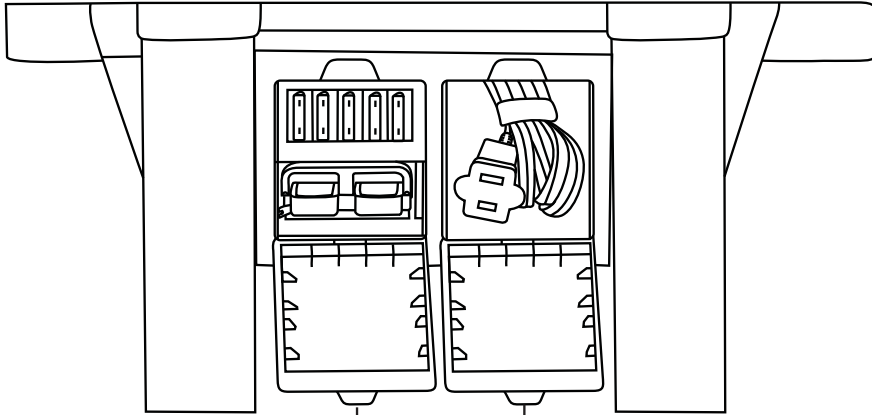


## Apprendre à connaître le panneau avant de votre Nature's Generator

### Front Panel



## **Panneau arrière**



**Entreposage:** Pour entreposer le câble d'alimentation

**Câble d'extension:**  
Connexion de fusible en série et connexion en guirlande, Pour être utilisé avec capsule d'alimentation de votre Nature's Generator

## **Utiliser votre Nature's Generator**

### **Comment recharger votre Nature's Generator**

#### **Recharger à partir de votre panneau solaire**

1. Placez votre panneau solaire à l'endroit où il capte le plus la lumière du soleil possible. Alors que le soleil direct est toujours préféré, le panneau solaire devrait est constamment connecté en tout en temps pour fournir une légère charge constante à votre batterie. Les panneaux solaires vont aussi charger votre unité lors de brume ou de ciel nuageux.
2. Insérez le panneau solaire le port d'entrée solaire à l'avant de votre Nature's Generator. Vous saurez qu'il recharge lorsque l'écran LCD s'allume, l'icône de panneau solaire est illuminé et la barre de batterie commence à apparaître. La barre de batterie arrêtera de s'afficher lorsque la batterie est pleine ou il n'y a pas assez d'énergie du panneau solaire.
3. Cela prend environ 10 à 15 heures pour recharger le Nature's Generator si vous utilisez un panneau solaire de 100 watt, et cela dépend aussi de la force du soleil.
4. Pour améliorer la vitesse de chargement, vous pouvez brancher en série plusieurs panneau solaire dans des connections parallèles. Le port d'entrée solaire peut soutenir jusqu'à 200 watts d'énergie solaire. Visitez [naturesgenerator.com](http://naturesgenerator.com) pour plus d'informations sur l'achat de panneaux solaires additionnels.

#### **Recharger à partir de l'éolienne**

1. Placez votre éolienne où elle reçoit le plus de vent possible.
2. Insérez la prise de l'éolienne dans le port pour éolienne à l'avant de votre Nature's Generator. Vous allez savoir qu'il recharge lorsque l'écran LCD s'allume, l'icône d'éolienne est illuminé et la batterie commence à s'afficher. La barre de batterie arrêteras de s'afficher lorsque la batterie LCD est pleine ou qu'ils n'y a pas assez de vent dans l'éolienne.
3. La vitesse de chargement dépend de la côte de l'éolienne et la force du vent. L'entrée éolienne peut traiter jusqu'à 300 watts d'électricité de vent. Visitez [naturesgenerator.com](http://naturesgenerator.com) pour plus d'informations à propos des éoliennes.

#### **Recharger à partir d'une prise AC**

1. Localisez le câble d'alimentation dans le compartiment arrière derrière le Nature's Generator.
2. Insérez le câble d'alimentation dans le port d'entrée AC à l'avant du Nature's Generator.
3. Branchez l'autre côté du câble d'alimentation dans la prise murale. Vous allez savoir que le chargement a lieu lorsque l'écran LCD s'allume, un icône entrée AC est illuminé et la barre de batterie s'affiche. La barre de batterie disparaît lorsque la batterie est pleine.

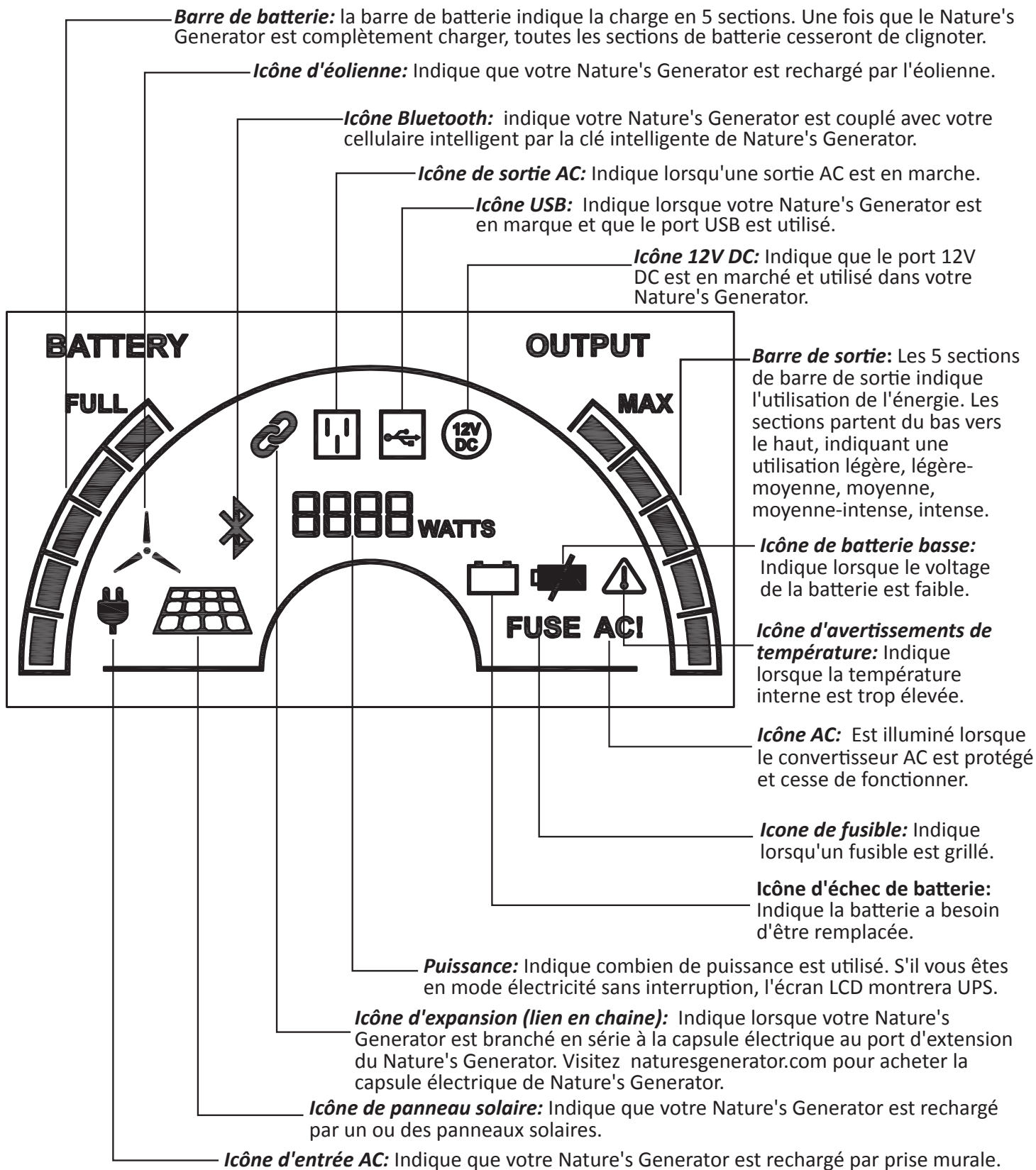
## ***Comment utilisez votre Nature's Generator***

1. Appuyez sur l'interrupteur principal pour mettre en marche votre Nature's Generator. Les ports USB seront automatiquement en marche lorsque l'interrupteur principal est en marche.
2. Appuyez sur l'interrupteur de sortie AC pour mettre en marche les sorties AC, assurez vous de refermez la sortie AC pour conserver l'énergie.
3. Vous allez savoir quand le port est allumé lorsque l'icône est affiché sur l'écran LCD.
4. Brancher n'importe lequel de vos appareil pour obtenir de l'électricité.

## ***Mode électricité sans interruption (UPS)***

1. Vous pouvez rechargez votre Nature's Generator et rechargez vos appareil en même temps.
2. Si vous recherchez votre Nature's Generator en même temps que vous fournissez de l'énergie à vos appareil via la prise de courant, votre Nature's Generator tombe en mode électricité sans interruption. Vos appareils AC recevrons de l'électricité directement de la prise murale. Si l'électricité manque, votre Nature's Generator sera déjà en marche et prêt à fournir de l'énergie à vos appareil AC connectés.
3. L'écran LCD vous montre le monde électricité sans interruption lorsque l'appareil est dans ce mode.

## Comment lire l'écran LCD



## ***Comment utilisé la clé intelligente de votre Nature's Generator***

1. Mettez l'interrupteur principal du Nature's Generator en marche.
2. Branchez votre clé intelligente de Nature's Generator dans le port USB du haut avec l'icône Bluetooth du côté droit. Turn on the main power switch of your Nature's Generator.
3. Si vous ne l'avez pas déjà fait, cliquez sur App Store<sup>SM</sup> sur votre iPhone<sup>TM</sup> ou Google Play<sup>TM</sup> sur votre cellulaire Android.
4. Recherchez l'application "Nature's Pulse" et installez-la.
5. Après l'installation de l'application, veuillez suivez les instructions sur l'application pour enregistrer votre compte avant de vous connecter à la page d'accueil.
6. Appuyez sur le bouton «Connecter» sur la page d'accueil. L'application recherchera votre clé intelligente Nature's Generator et trouveras votre Nature's Generator.
7. Après être connecté, vous pouvez commencer à profiter des options intelligentes comme diagnostique du système, suivi de l'histoire et d'autres options.

## ***Comment améliorer la capacité de votre Nature's Generator***

Vous pouvez améliorer le temps de fonctionnement de votre Nature's Generator en le connectant à une capsule d'énergie Nature's Generator. Visitez [naturesgenerator.com](http://naturesgenerator.com) pour acheter une capsule d'énergie Nature's Generator.

1. Ouvrez le couvercle du dessus de la capsule, localisez le câble d'extension et passez le câble d'extension à travers un ouverture au derrière de la capsule d'énergie Nature's Generator.
2. Localisez le port d'expension au derière de votre Nature's Geneator et ouvrez le couvercle de caoutchouc.
3. Connectez le câble d'extension au port d'extension.
4. L'icône d'extension (lien en série) s'allumera sur l'écran LCD pour indiquer qu'il est connecté.

Vous verrez une amélioration du temps de fonctionnement d'environ 167% en ajoutant une capsule, d'approximativement 333% en ajoutant deux capsules et de 500% en ajoutant trois capsules.

## ***Comment maintenir et entreposer votre Nature's Generator***

Veillez recharger votre Nature's Generator une fois au quatre mois et entreposé dans un endroit ventilé, frais et sec. Si possible, veuillez connecter votre Nature's Generator à une source d'alimentaiton, comme une prise murale, un panneau solaire ou une éolienne lorsqu'il est entreposé pour garder la batterie à son meilleur. Cela aide à garder la batterie en santé et prolonge sa vie. Ne pas maintenir le Nature's Generator selon ces étapes pourrait causer des dommages à la batterie ce qui pourrait annuler la garantie du produit.

Veillez nettoyer votre Nature's Generator avec un linge doux et non pelucheux. Si votre Nature's Generator est particulièrement sale, humidifiez un linge doux, non pelucheux dans une solution détergente douce faites sortir en tordant l'humidité excédantes et lavez le cabinet avec le linge. Utilisez un linge sec pour sécher votre Nature's Generator.

## Comment installer le panier à votre Nature's Generator

Ce qui est incluse:

### Outils



Clé à douille × 2pcs



Clé Allen × 1pc

### Pièces du panier



Entraîneur × 2pcs



M6 30mm Boulons et écrou × 2pcs



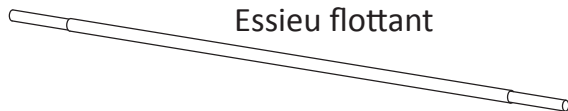
M6 100mm Boulons × 2pcs



Contre-écrou × 2pcs



Brosse à essieu × 2pcs



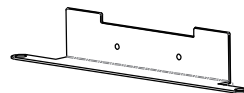
Essieu flottant



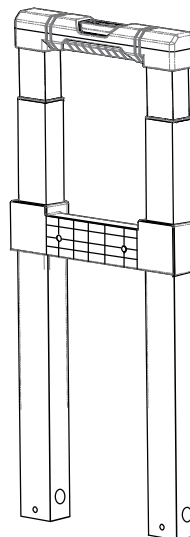
Roue × 2pcs



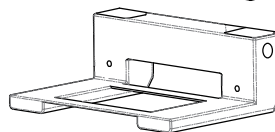
Chapeau de moyeu × 2pcs



Support du générateur



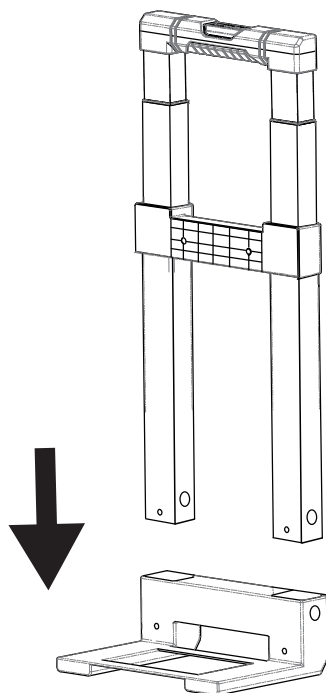
Poignée d'assemblage



Base d'essieu



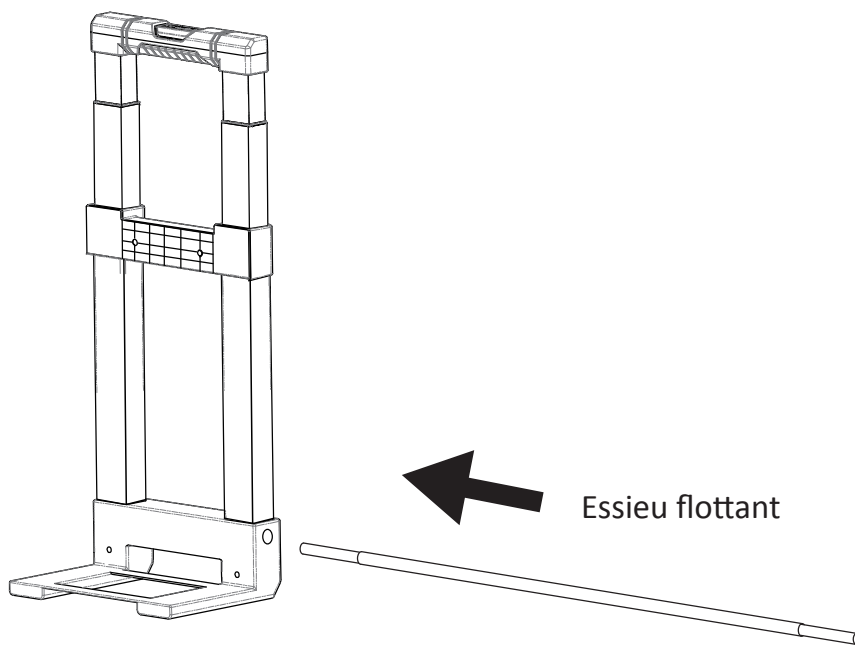
Étape 1:



Poignée d'assemblage

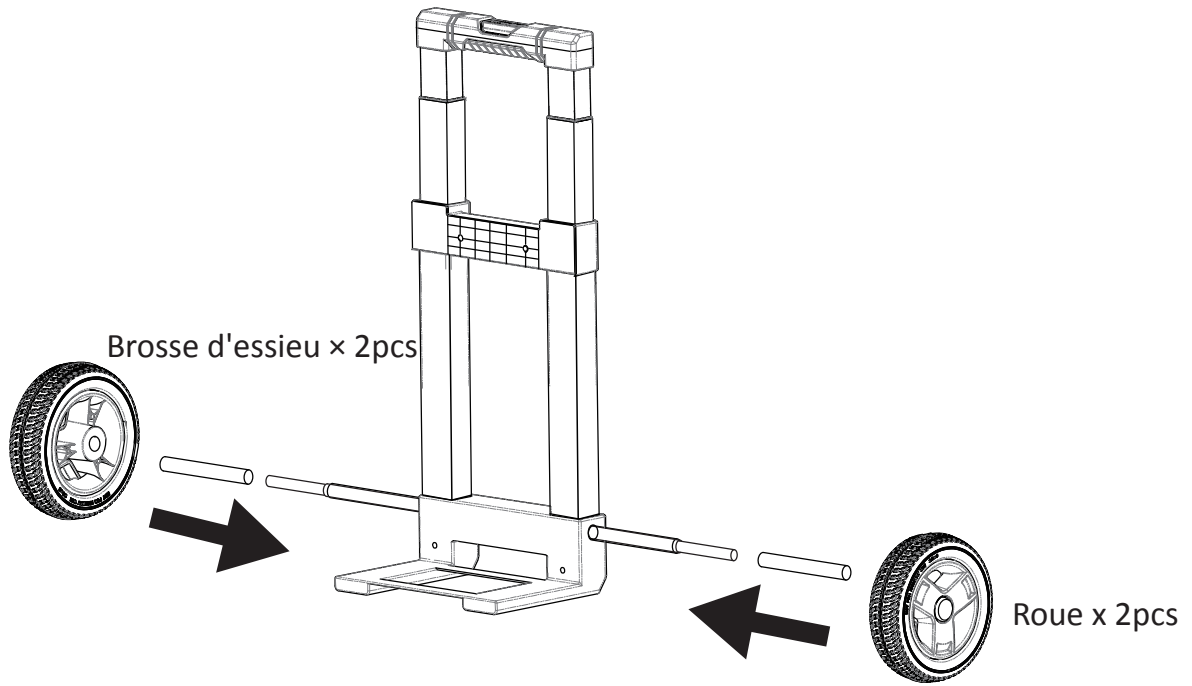
Axle Base

Étape 2:

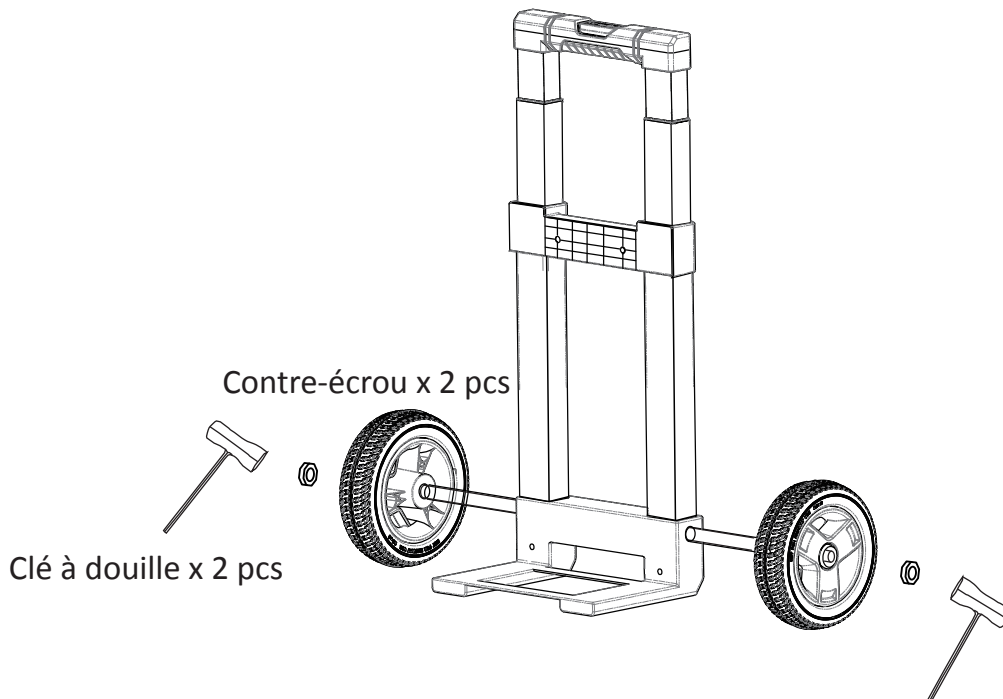


Essieu flottant

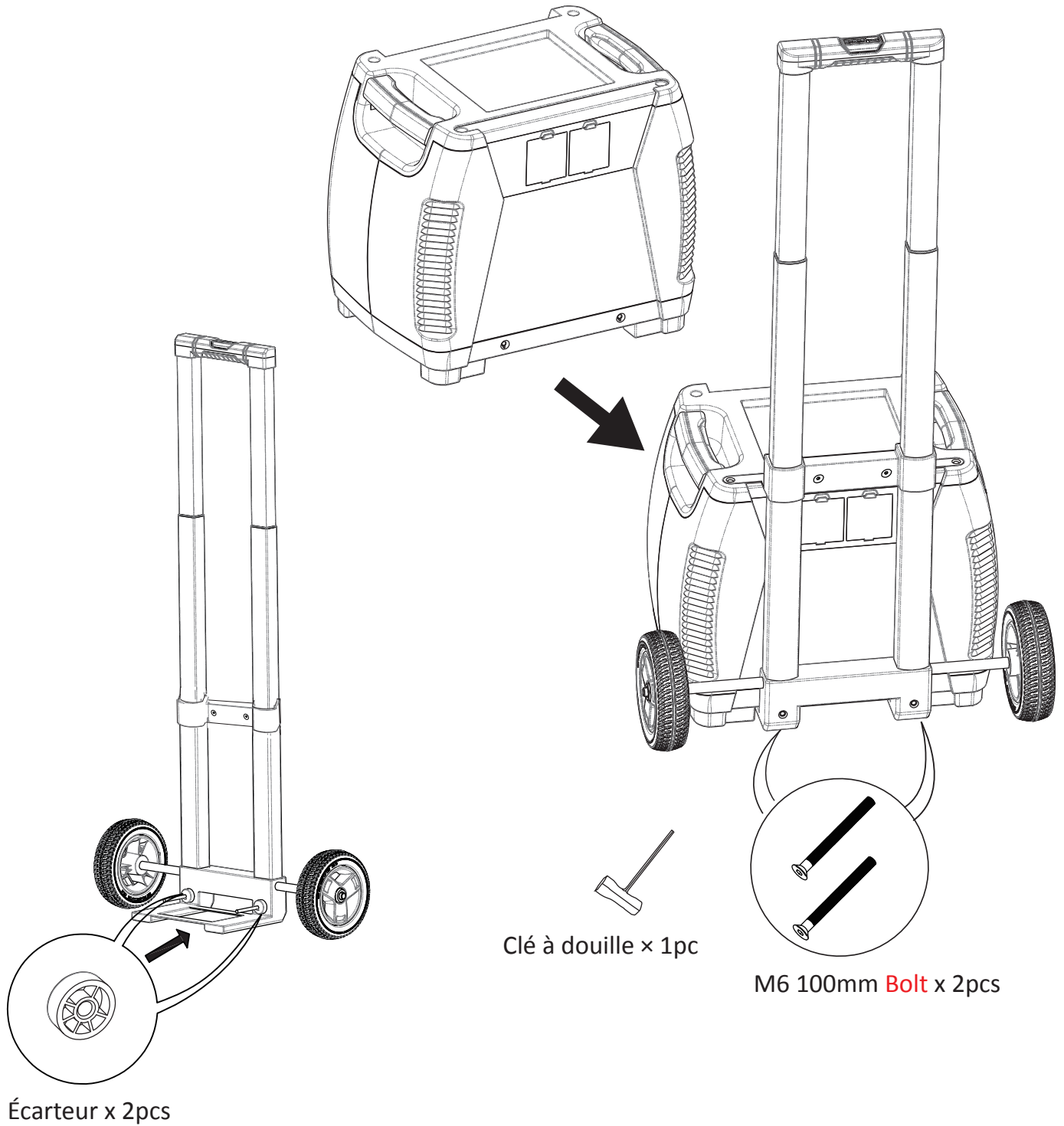
Étape 3:



Étape 4:

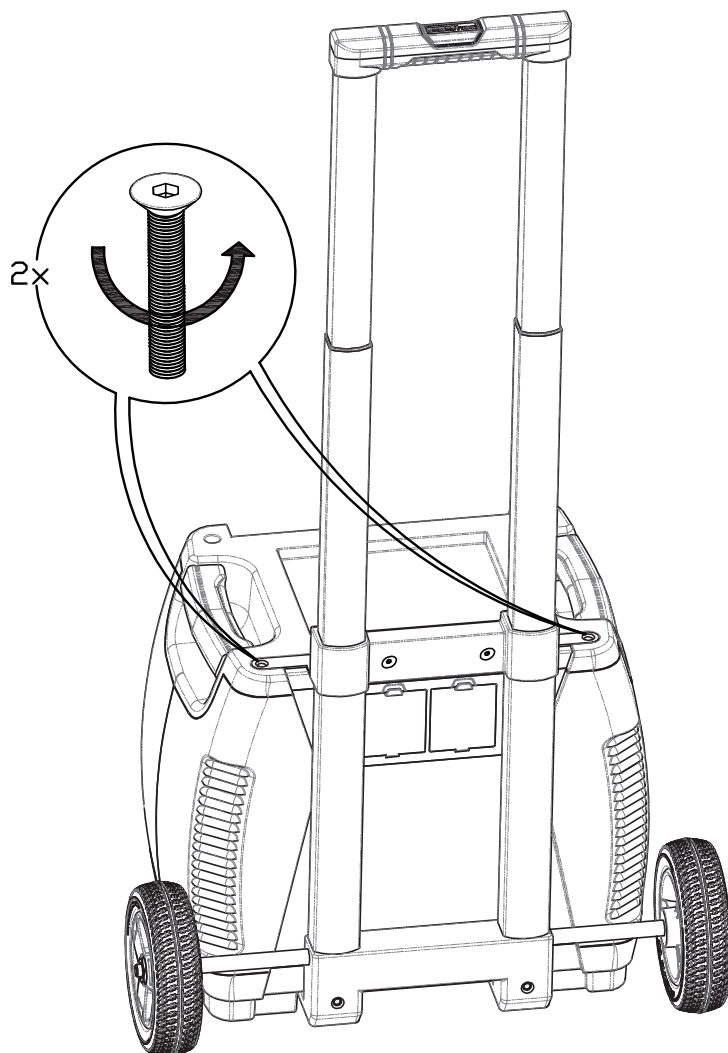


Étape 5:



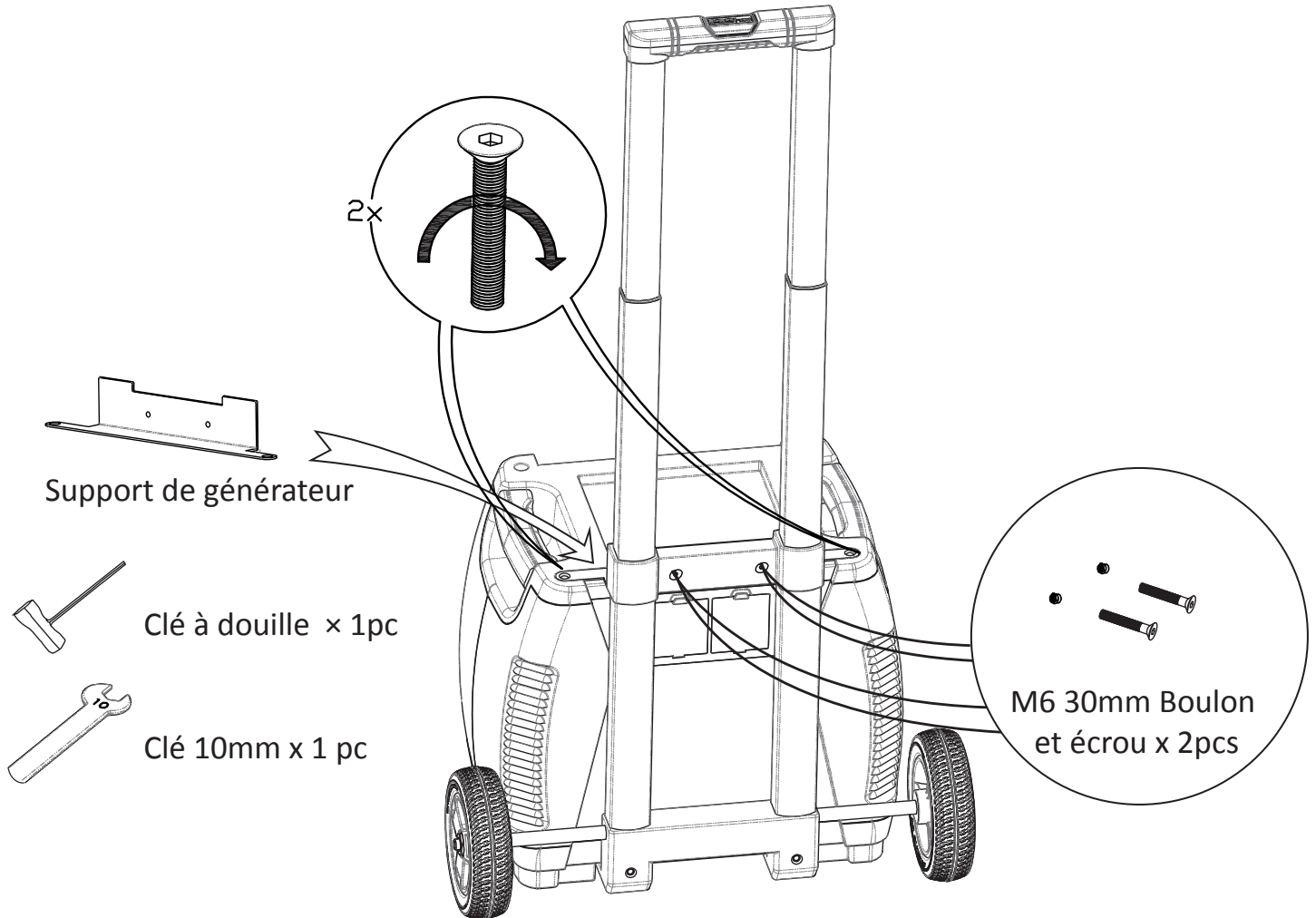
## Étape 6:

Enlevez les deux boulons existants du Nature's Generator et mettez-les de côté pour la réutilisation à l'étape 7.



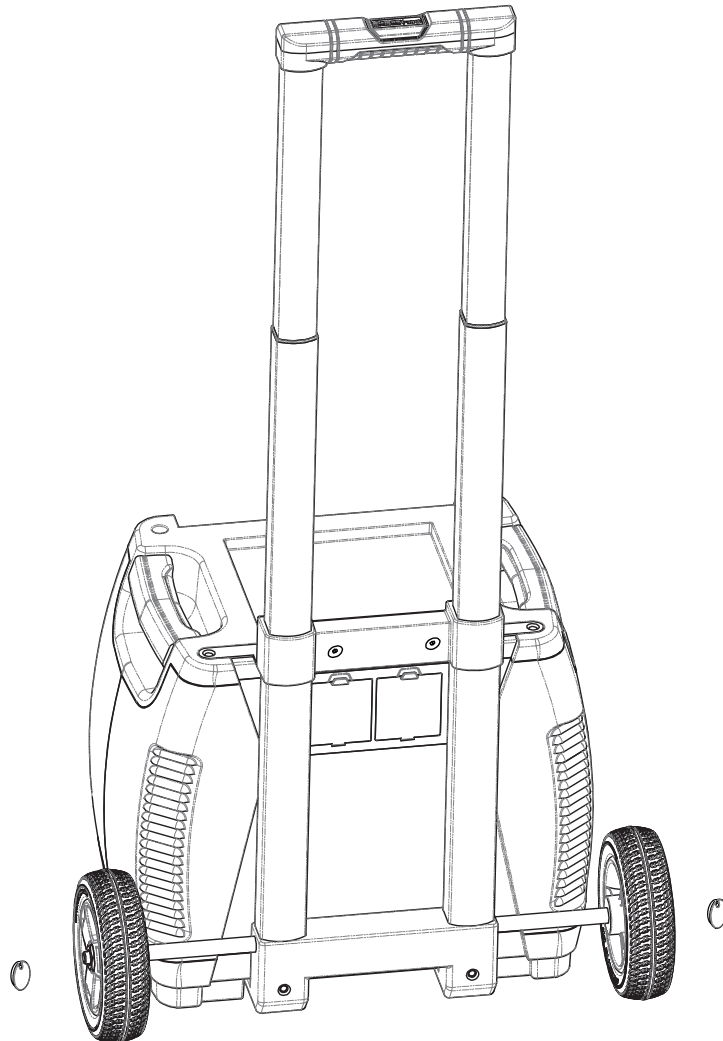
Étape 7:

Réinsérez les boulons une fois que le support du Generator est en place.



Étape 8:

Après l'ajustement de la distance entre la roue et le Nature's Generator, veuillez mettre les chapeau de Moyeu sur les roues.



Chapeau de moyeu x 2pcs.

## ***Aide en cas de problème***

### ***Mon Nature's Generator ne charge pas lorsque je le connecte à mon panneau solaire.***

Veillez suivre les étapes suivantes.

1. Assurez vous que le panneau solaire est pointé directement vers le soleil. Il est préférable de placer le panneau solaire vers le sud. Le panneau solaire pourrait produire peu ou aucune énergie lorsqu'il est positionné à l'ombre.
2. Vérifier les connexion du câble sur votre Nature's Generator et assurez vous qu'il est bien connecté.
3. La lumière LCD s'allume mais la batterie ne fonctionne pas. Cela signifie que le Nature's Generator est complètement chargé par le panneau solaire ou que le panneau solaire n'a pas un voltage assez haut pour recharger votre Nature's Generator.

### ***Mes appareils AC ne fonctionnent pas à partir de mon Nature's Generator.***

Veillez suivre les étapes suivante:

1. Vérifiez que votre appareil peut être utilisé avec votre Nature's Generator. Les sorties AC du Nature's Generator fonctionnent seulement avec de AC 120V et jusqu'à 1800 watts sur les trois sorties combinées.
2. Assurez vous que l'interrupteur d'alimentation principale est en marche.
3. Vérifier la barre de batterie. S'il y a seulement trois barre ou moins, recherchez votre Nature's Generator. Certains appareil AC prennent une grande quantité d'énergie et il est recommandé de recharger votre Nature's Generator en entrant avec une utilisation demandant.
4. Assurez vous que l'interrupteur de la sortie AC est en marche. La lumière DEL devrait être verte.
5. Si la lumière DEL est rouge, veuillez vérifier les icône d'échec sur l'écran LCD.
  - a. Icône d'échec de batterie: remplacer votre batterie.
  - b. Icône de batterie basse: rechargez votre batterie avant d'utiliser.
  - c. Icône d'avertissement de température: La température interne est trop haute. Laissez la baisser avant d'essayer d'utiliser à niveau.
  - d. Icône de fusible: Remplacer les fusibles.
  - e. Icône AC: Le convertisseur AC est protégé. Débranchez votre appareil AC, fermée l'interrupteur d'entrée AC et essayez à nouveau.

### ***La batterie de mon Nature's Generator baisse rapidement.***

Veillez suivre ces étapes:

1. Vérifier le wattage de vos appareils AC. Certains appareils comme les séchoir à cheveux, les micro-ondes ou les balayeuses utiliser de grandes quantités de puissance et donc la batterie baisse rapidement. Suivez toujours les informations de wattage de sortie sur l'écran LCD.
2. Lorsque votre appareil AC n'est pas utilisé, fermez la sortie AC de votre Nature's Generator pour garder l'énergie. Les sorties AC consume une quantité considérable d'énergie même en mode attente.
3. Lorsque le Nature's Generator n'est pas utilisé, fermez l'interrupteur principal et pour éliminer l'utilisation non-nécessaire en fermant l'appareil LCD et ports USB.

## ***Spécifications techniques***

### ***Batterie:***

Type: AGM Acide de plomb étanche

Capacité: 60Ah (720Wh)

Autodécharge: Il recommandé de le recharger à tous les 4 mois

### ***Convertisseur:***

Puissance de la sortie: 1800 watt max / 1440 continu

Voltage de sortie: 120V

Fréquence de la sortie: 60Hz

### ***Ports:***

Ports USB: 5V, jusqu'à 3A (15W)

Port 12V DC: jusqu'à 20A (240W max)

Port d'expansion: Fusible 200A

### ***Charges:***

Chargement AC: 90W

Chargement indicateur AC: rouge (chargement) et vert (chargé)

Chargement solaire: 200watt

Chargement éolienne: 300watt

### ***Général:***

Dimensions: 18 x 12 x 15 in (47 x 30 x 38 cm) sans panier

23 x 17 x 22 in ( 57 x 42 x 55 cm) avec panier

Température d'opération: 32-104 °F (0-40 °C)

Température d'entreposage: 23–111 °F (-5–45 °C)

Poids: 83 lbs. (37.6 kg)



## ***Garantie limité***

### ***Garantie limité d'un an***

Huntkey USA Inc. vous garantie, vous l'acheteur d'origine de ce produit, que le produit n'aura pas de défaut de manufacture, de matériaux ou de fabrication pour une période d'un (1) an à partir de la date d'origine d'achat du produit («période de garantie»). Ce produit doit être acheté d'un vendeur autorisé en emballé avec cette déclaration de garantie. Cette garantie ne couvre pas les produit réusinés.

### ***Que couvre la garantie?***

Durant la période de garantie, si la fabrication d'origine des matériaux ou la fabrication du produit est déterminé comme étant défectueux par un vendeur autorisé, Huntkey USA Inc. va (à sa propre discrétion); (1) réparer le produit avec des pièces neuves ou réusinées; ou (2) remplacer le produit sans frais avec des produits ou pièces neuves ou réusinées comparables. Les produits et pièces remplacés sous cette garantie deviennent la propriété de Nature's Generator et ne vous sont pas retournés. Si l'entretien des produits ou pièces est requise après l'expiration de la période de garantie, vous devez payer tous les frais de travail et changement de pièces. Cette garantie dure tant que vous avez votre produit durant la période garantie. La couverture de garantie se termine si vous vendez ou transférez le produit.

### ***Comment obtenir un service de garantie?***

Veillez nous contacter au 1-800-975-7909 Du lundi au vendredi de 9:00AM à 5:00PM PST. Nous vous offrirons un numéro d'autorisation de retour de marchandise (ARM) et des instructions de retour. Envoyez le colis au:

Huntkey USA, Inc.

3130 Paseo Mercado Suite 106

Oxnard, CA 93036

Veillez inclure le numéro de ARM affiché clairement sur la boîte de livraison et incluez votre nom, numéro de téléphone et adresse avec le produit à l'intérieur de la boîte.

### ***Où la garantie est-elle valide?***

Cette garantie est valide seulement pour l'acheteur d'original du produit en Amérique du nord (États-Unis, Canada et Mexique).

### ***Ce qui n'est pas couvert par cette garantie limitée***

La présente garantie ne couvre pas :

- la formation du client
- les dommages résultants de catastrophes naturelles telles que la foudre
- les accidents
- une utilisation inadaptée
- une manipulation abusive
- la négligence
- une utilisation commerciale
- la modification de tout ou partie du Produit
- les dommages ayant pour origine une utilisation ou une maintenance défectueuse
- la connexion à une source électrique dont la tension est inadéquate
- toute réparation effectuée par quiconque autre qu'un service de réparation agréé par Dynex pour la réparation du Produit
- les produits vendus en l'état ou hors service
- les consommables tels que les fusibles ou les piles
- les produits dont le numéro de série usine a été altéré ou enlevé

LA RÉPARATION OU LE REMPLACEMENT, TELS QU'OFFERTS PAR LA PRÉSENTE GARANTIE, CONSTITUENT LE SEUL RECOURS DE L'ACHETEUR. HUNKTEY USA INC. NE SAURAIT ÊTRE TENU POUR RESPONSABLE DE DOMMAGES ACCESSOIRES OU CONSÉCUTIFS, RÉSULTANT DE L'INEXÉCUTION D'UNE GARANTIE EXPRESSE OU IMPLICITE SUR CE PRODUIT, Y COMPRIS, SANS S'Y LIMITER, LA PERTE DE DONNÉES, L'IMPOSSIBILITÉ D'UTILISER LE PRODUIT, L'INTERRUPTION D'ACTIVITÉ OU LA PERTE DE PROFITS. HUNKTEY USA INC. PRODUCTS N'OCTROIE AUCUNE AUTRE GARANTIE EXPRESSE RELATIVE À CE PRODUIT; TOUTES LES GARANTIES EXPRESSES OU IMPLICITES POUR CE PRODUIT, Y COMPRIS MAIS SANS LIMITATION, TOUTE GARANTIE DE QUALITÉ MARCHANDE, D'ADÉQUATION À UN BUT PARTICULIER, SONT LIMITÉES À LA PÉRIODE DE GARANTIE APPLICABLE TELLE QUE DÉCRITE CI-DESSUS ET AUCUNE GARANTIE EXPRESSE OU IMPLICITE, NE S'APPLIQUERA APRÈS LA PÉRIODE DE GARANTIE. CERTAINS ÉTATS ET PROVINCES NE RECONNAISSENT PAS LES LIMITATIONS DE LA DURÉE DE VALIDITÉ DES GARANTIES IMPLICITES. PAR CONSÉQUENT, LES LIMITATIONS SUSMENTIONNÉES PEUVENT NE PAS S'APPLIQUER À L'ACHETEUR ORIGINAL. LA PRÉSENTE GARANTIE DONNE À L'ACHETEUR DES GARANTIES JURIDIQUES SPÉCIFIQUES; IL PEUT AUSSI BÉNÉFICIER D'AUTRES GARANTIES QUI VARIENT D'UN ÉTAT OU D'UNE PROVINCE À L'AUTRE.

Pour contacter Huntkey USA Inc:

Pour toute assistance technique, appeler le 1-800-975-7909

Huntkey USA, Inc.

3130 Paseo Mercado Suite 106

Oxnard, CA 93036



V2.0 ENGLISH  
19-1029

V1.0 ESPAÑOL  
19-1029

V1.0 FRANÇAIS  
19-1029