

Shower & Bath Enclosure Installation Instructions

Thank you for purchasing Freshjet Shower products. We are committed to providing our customers with high quality products at a competitive price.

Please read all instructions carefully before and during installation

★Professional help is required for installation.

These installation instructions should be used as a guideline. Your specific shower or bath enclosure may differ from the figures shown in these instructions. This instruction is for shower models as follows: S-3460, SE-3460, and SL-3460.

★Additional Installation Tools:

3" Dry wall screws

Silicone sealant

Phillips head screwdriver

Flat head screwdriver

Power drill

Polyurethane Foam (4 cans)

★Prepare Mounting Boards

Mount 54" (2X4) boards to the backwall studs horizontally at 82-1/4" (top edge) above the floor and 2" from the sidewalls. The top frames of shower's backwalls shall be attached to this board.

★The shower is delivered in a wood crate with carton box contents as follows:

Box 1: Two big side aluminum-framed glass panels

Box 2: Function panel with pressure valve, water hoses, body jets, and electronic control

Box 3: Two framed glass back wall panels

Box 4: Shower base and top, and hardware box

Box 5: Two front panels, top and bottom tracks, two 90 degree aluminum channel angles

★Hardware included:

1. Drain with flexible hose if you ordered 1-1/2" drain. It doesn't come with a drain piece or flexible hose if you ordered 2" drain. You can buy 2" drain such as Oatey at a hardware store.
2. Cup washers and decorative chrome covers for mounting the function panel to back walls
3. 7/8" iron screws (8pieces), 1/2" stainless steel screws (20 pieces), and 1/4" (4 pieces) screws
4. Glass shelf and its mounting bolts, washers, rod connectors and nuts
5. Shower head sliding bar and its mounting bolts, washers and nuts.
6. Flexible water hose for hand-held shower and through-wall elbow, washers and a ring nut.
7. Hand-held shower head
8. Door rollers (the spring-loaded rollers shall be installed at doors' bottom)
9. Door handles
10. Shampoo and soap dispensers, their mounting base and its mounting bolts, washers, nuts (4)

★1. Pre-installation

- a. Check the area you want to install your unit for the following:
- b. Water hook-ups, one hot and one cold with 1/2" FIP female connectors on 1/2" PEX or flexible hoses. Floor drain (2" hard-plumbed drain is the US standard):
 1. The shower control valve needs 1/2" FIP Connections
 2. Shutoff valves should be used for both hot and cold water supplies
 3. 3-4 feet long flexible water hoses must be used from shutoff valves to shower control valves
 - (i) If Pex used, please use 1/2" FIP of swivel type for easy installation
 - (ii) If Pex is not used, please use plastic or stainless braided hoses with 1/2" FIP connectors at the shower's control valve connection

(iii) Please watch this video for details: Water Supply Options:

https://www.youtube.com/watch?v=D_md6CufrxY

- c. Install the 54" long 2X4 board to the backwall studs horizontally at 82-1/4" (top edge) above the floor and 2" from the sidewall or corner.
- d. 120V wall outlet preferably located at 82" above the floor 16" from the corner so that you can access it easily for the future.

★2. **Base Preparation**S-3460 **Base Preparation:** https://youtu.be/ltiGsR16G_I

- a. Remove the shower base from its packaging.
- b. Spray Polyurethane foams (such as Great Stuff for Window and Doors) to the back side of the base (clear of the passage of the drain pipes) (let the foam set)
- c. Remove all protective covering films from the base.
- d. Adjust the feet of the base so that the base is level when lying flat on the ground.
- e. For 1-1/2" using the drain piece provided: Check e-j. Remove the plastic tubing and unscrew the top from the white plastic drain.
- f. Place the top portion into the drain hole in your base.
- g. Apply silicone sealant to the bottom portion of the white plastic drain (about 1/4" from the edge of the rim) and place it over the drain hole from the underside of the base.
- h. Screw the top of the plastic drain into the bottom until tight. Do not over tighten as this may crack the plastic.
- i. Reattach the plastic piping to the plastic drain. The flexible drain pipe may **Kink** at the turns and to cause slow drainage. Polyurethane foam may be used at the turn to prevent the pipe kink.
- j. Extend the flexible hose and feed it into the floor drain. You may use 1-1/4" to 2" coupling to secure the drain hose to your floor drain.
- k. For 2" drain, simply hard-plumb the 2" drain with PVC pipe to the base. The base is set and secured to its designed location.

I. Easy-Fit Drain Connections Recommendations:

For remodeling and when the floor drain and shower drain don't line up, please use Easy-Fit Drain as follows:

(i). Use 4" to 1-1/2" PVC Reducing Coupling (Canplas 193023) to reduce the 4" floor drain to 1-1/2". Don't glue down until all parts lined up and tested fit!

(ii). Use 1-1/2" X1-1/4" PVC 90 degree elbow to reduce the drain pipe further to 1-1/4". There are other ways to reduce 1-1/2" to 1-1/4" too.

(iii). Use 1-1/4" to 1-1/4" coupling to connect 1-1/4" hard PVC to 1-1/4" flexible PVC hose (brand: EZ-Flo 1-1/4").

(iv). Connect flexible 1-1/4" hose to Easy-Fit drain. Make sure that flexible hose doesn't have any sharp turns.

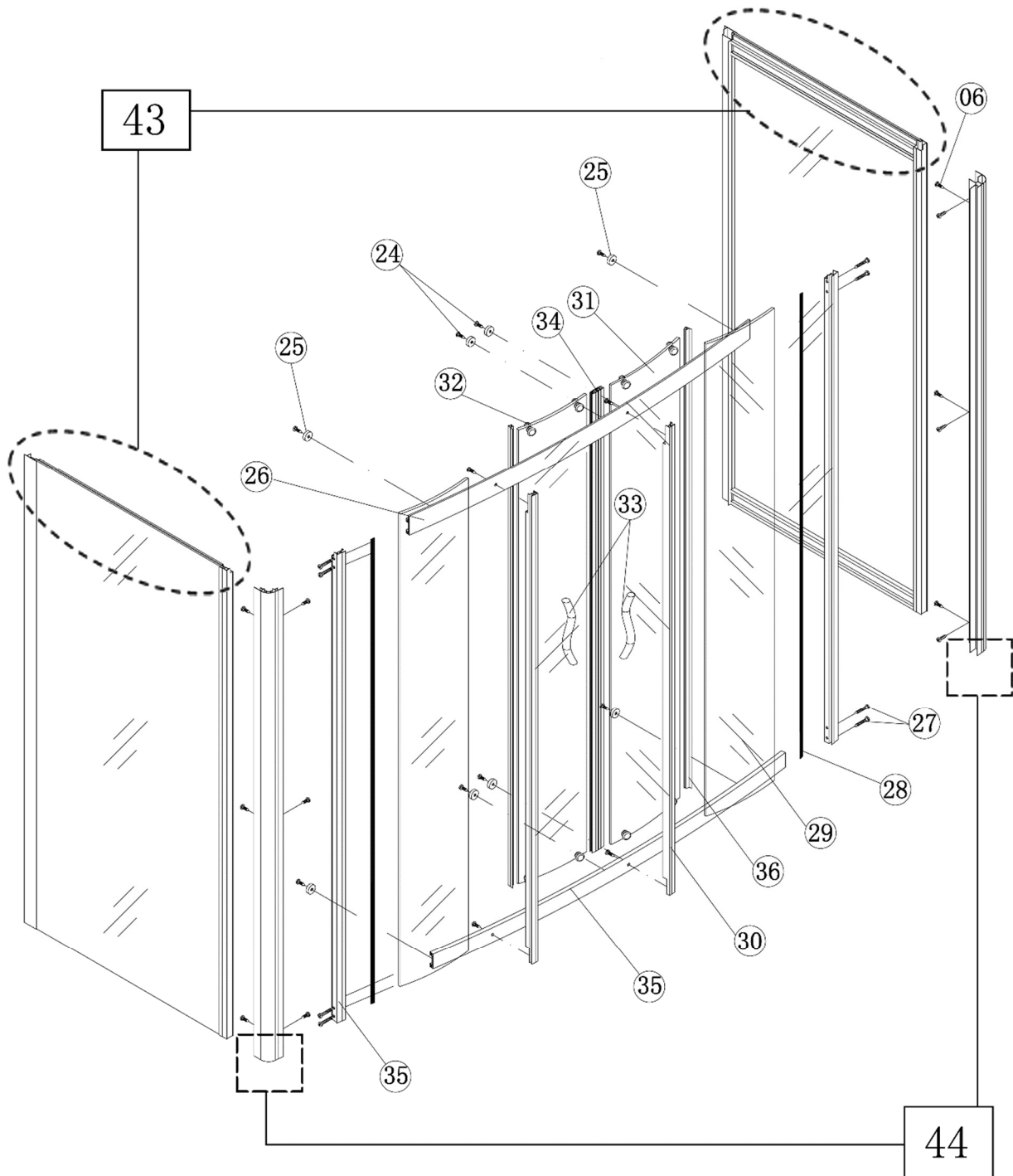
Note: All parts described in this section are not included with the shower kit except Easy-Fit Drain. Drain and water supplies are part of the house plumbing. Professional plumbers are recommended.

★3. Front Frame Assembly: connection of big stiles to tracks

- a. Assemble the front frame of two front panels and two straight door tracks.
- b. It is recommended to work on a big working table covered with a soft blanket
- c. The wide track is the bottom track and narrow track is the top. Each track has an U groove for door rollers.
- d. The U groove on the top track faces inside and U opens toward top (Flat edge of the track is on top).
- e. The U groove on the bottom track faces inside and U opens toward bottom.
- f. Connect tracks to the vertical stiles with two metal screws as shown by the illustration.
- g. The pictures below are for illustration of how stiles and tracks are attached only. The tracks for S-3460 are straight.

h. Please check this video: S-3460 Front Frame Assembly:

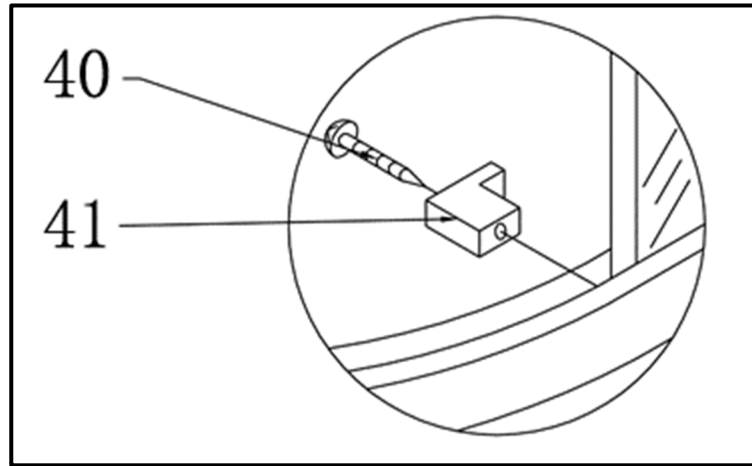
<https://www.youtube.com/watch?v=6Jotui2rvrk>



★4. Front frame assembly: connection of glass panels to tracks

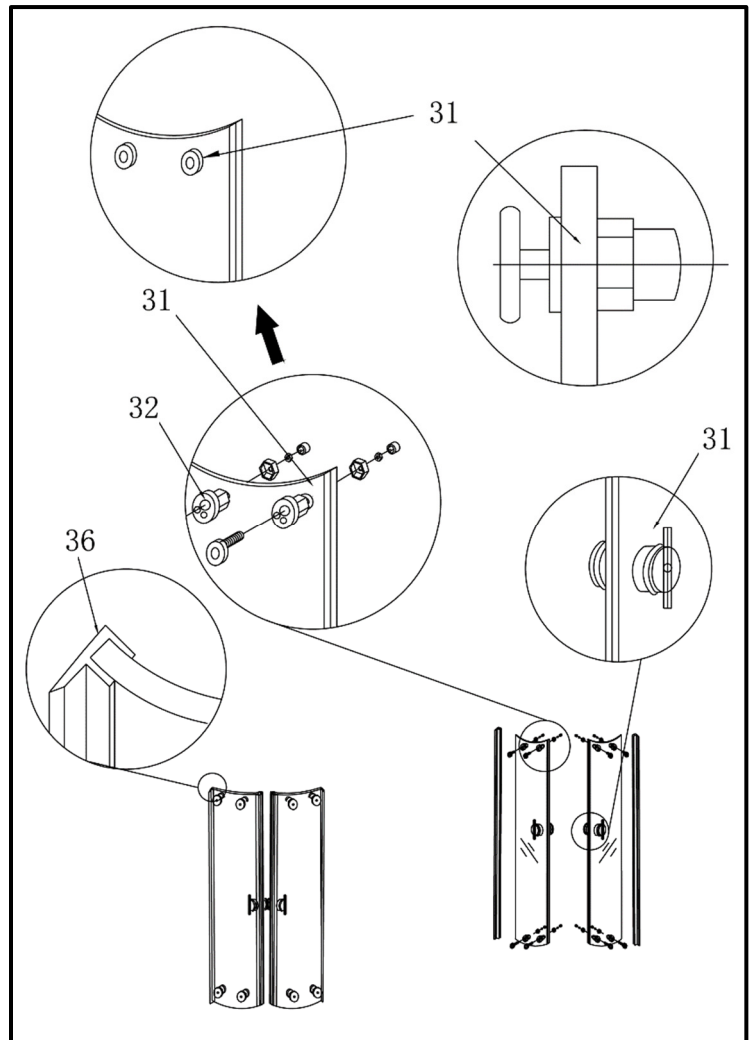
a. Attach the inside-edge of the front panel to the tracks with panel clips.

b. Use Part#C1 and C2glass clip to fix the glass to the tracks, top and bottom.



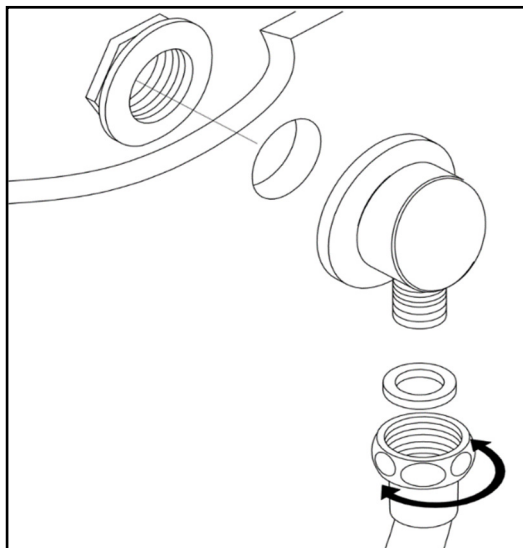
★5. Glass Door Assembly

- a. Install the door rollers as shown below. The screws in the top rollers are for the height adjustment. The springs in the bottom rollers push the rollers upward against the U track.
- b. Locate handle holes on the doors and install water seal strips with magnets (dark brown) on the edges near the door handles and clear strips (4) to the other edges as shown by the illustration.
- c. Please check this videoS-3460 Door Preparation:
<https://youtu.be/zvgSg1VL4kQ>

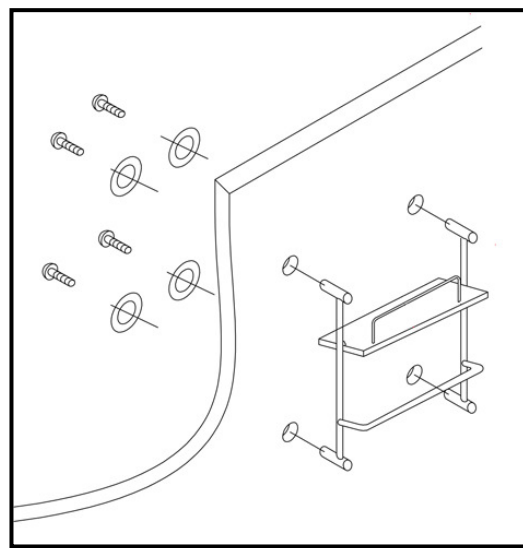


★6. Back wall Assembly

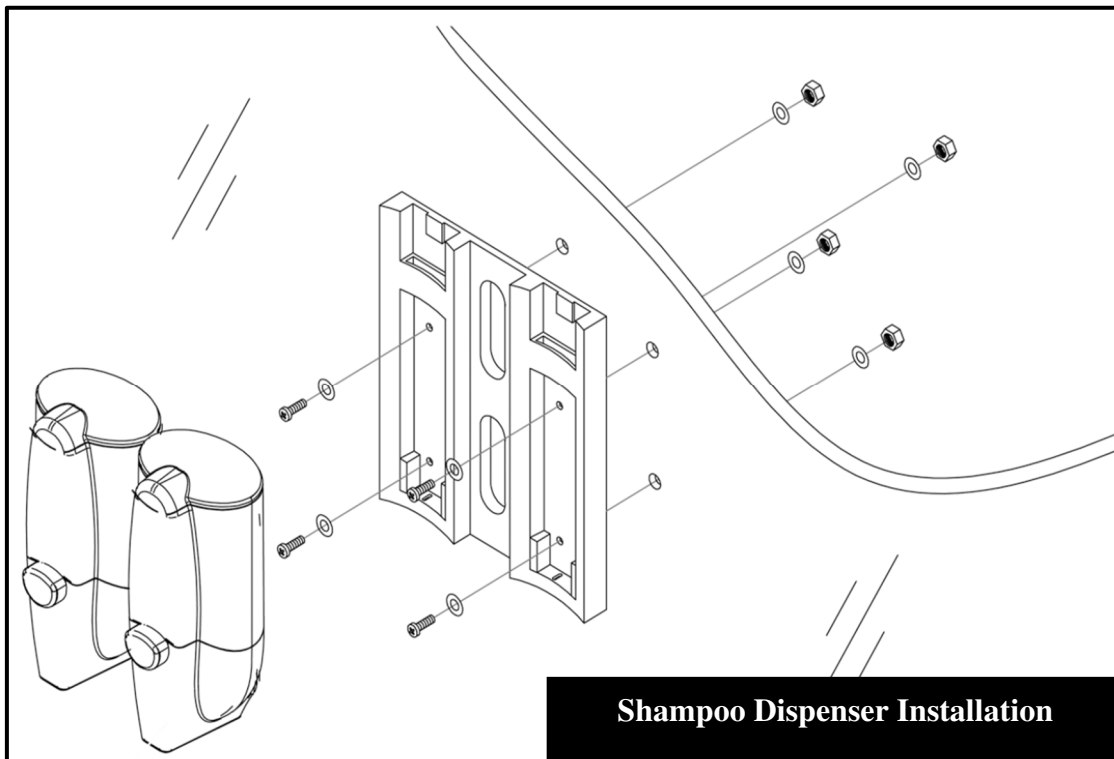
- a. Install glass shelf, hand-held sliding bar, towel bar if applicable, soap/shampoo dispensers if applicable, mirror if applicable, through-wall elbows to back walls through pre-drilled holes.
- b. Please check the installation diagrams below:



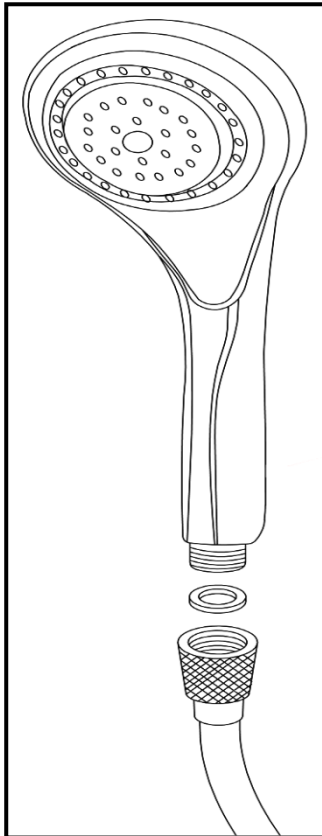
Through-wall Elbow Installation



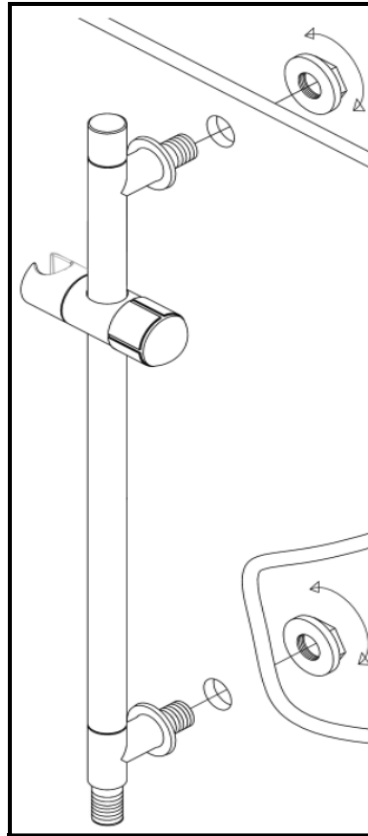
Shelf Installation



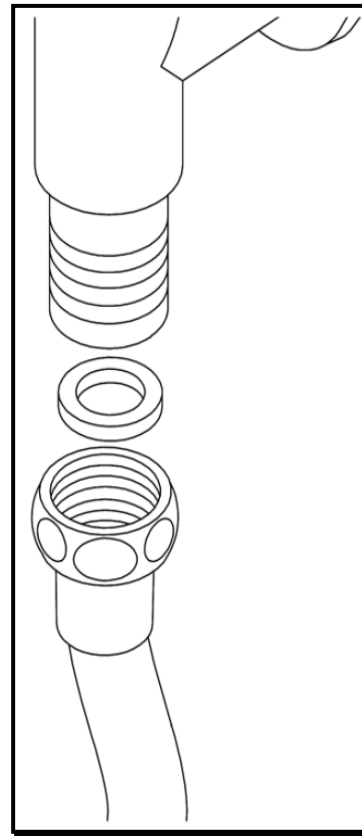
Shampoo Dispenser Installation



Hand-held shower



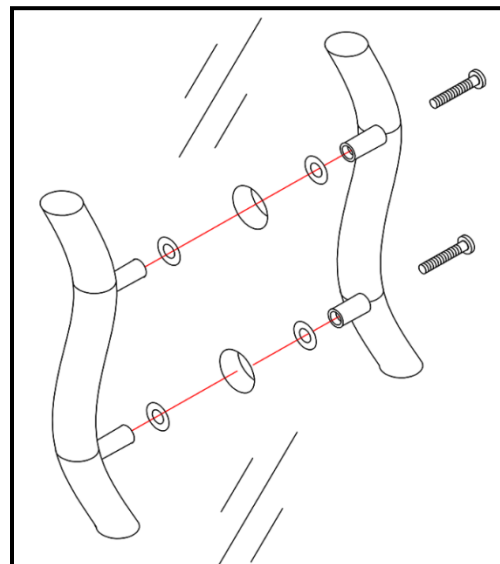
Hand-shower head sliding bar



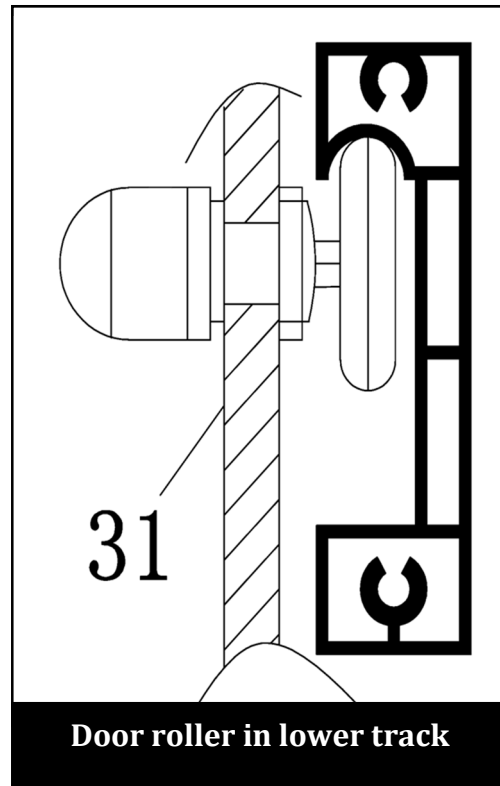
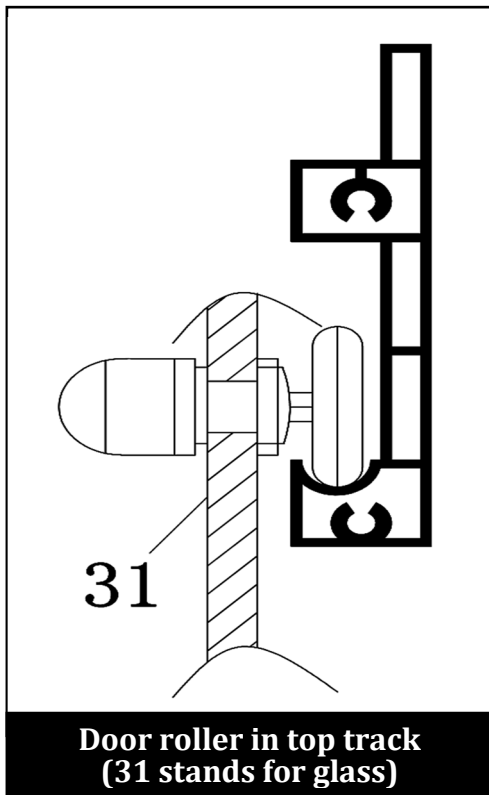
Hand-held shower water hose connection from the elbow

★7. Glass Door Installation (Do this step after step 9)

- a. Put rollers on top of the doors into the top rail first.
- b. Then put the rollers on the bottom into the bottom rail by pushing the rollers downward to cut into the U tracks.
- c. Adjust the screws on the top rollers if necessary.
- d. Install the door handles.
- e. Install the magnetic door seals to the front edges of the doors.
- f. Install the L door seals to the back edges of the doors, making sure the L pointing outward to the front the glass panels.

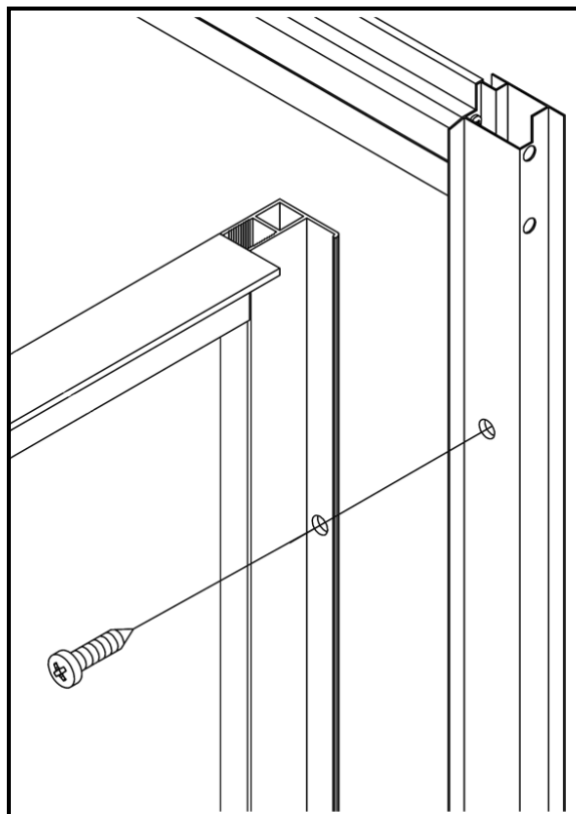


Door Handle Installation



★8. Unit Assembly

- a. Connect the front frame to the channeled angles on both sides (drawing on page 3)
- b. Connect left back panel to the left side panel from the back with $\frac{1}{2}$ " screws and set them in place on the base.
- c. Connect right back panel to the right side panel from the back with $\frac{1}{2}$ " screws and set them in place on the base.
- d. Place front-frame-angles assembly onto the base. You need two people to move the assembly. Push the assembly to let the edges of the side panels fit into the channels.
- e. Put the function panel close to its designated place and connect hot and cold water supplies, water supplies to overhead shower, hand-held shower, body jets.
- f. Connect electrical wires from the electronic control to LED lights, Fan, and speaker. All wires have a tag at the ends for its function. Connect power supply transformer to the electronic control and plug the power to the wall outlet.
- g. Place the roof of the unit on top of the shower enclosure, aligning it with the walls, and fixing it to the wall studs through the edge foldup.
- h. Please watch this video: S-3460 Overall Assembly: <https://youtu.be/qHHco9dYRO0>



Backwalls are attached to the stiles of the Side Walls with $\frac{1}{2}$ " screws

★9. Unit installation

- a. Connect and secure all water lines to the shower enclosure. Make sure all connections are water tight! If your unit comes with a built-in radio, plug it into a 120V outlet.
- b. Match up the electrical wire connectors (by pictures on the tags) for LED lights, speaker, and fan. (The DC powers both lights If your unit has both dome and panel LED lights.)
- c. You may apply silicone sealant to the outer edge of the base.
- d. Secure the unit to the wall using the 3" dry wall screws. Drill a pilot hole (1/8") on the top of the angle toward wall studs. You have to drill in a slanted angle. Drive the dry wall screws through the holes. The screws MUST be screwed into a stud or a drywall anchor.

★10. Caulking



Use silicon sealant to seal all the seams or joints from inside the shower.