



# Room AIR CONDITIONER

**SAFETY INFORMATION** .....3

**USING THE AIR CONDITIONER**  
Controls .....5

**CARE AND CLEANING**  
Air Filter .....6  
Outdoor Coils .....6

**INSTALLATION  
INSTRUCTIONS** .....7

**TROUBLESHOOTING TIPS**..... 12  
Normal Operating Sounds ..... 13

**WARRANTY** ..... 15

**CONSUMER SUPPORT** ..... 16

## OWNER'S MANUAL AND INSTALLATION INSTRUCTIONS

AEL05

Write the model and serial numbers here:

Model # \_\_\_\_\_

Serial # \_\_\_\_\_

Find these numbers on a label on the side of the air conditioner.

## **THANK YOU FOR MAKING GE APPLIANCES A PART OF YOUR HOME.**

---

Whether you grew up with GE Appliances, or this is your first, we're happy to have you in the family.

We take pride in the craftsmanship, innovation and design that goes into every GE Appliances product, and we think you will too. Among other things, registration of your appliance ensures that we can deliver important product information and warranty details when you need them.

Register your GE appliance now online. Helpful websites and phone numbers are available in the Consumer Support section of this Owner's Manual. You may also mail in the pre-printed registration card included in the packing material.



**GE APPLIANCES**

# IMPORTANT SAFETY INFORMATION

## READ ALL INSTRUCTIONS BEFORE USING THE APPLIANCE

### **⚠ WARNING**

For your safety, the information in this manual must be followed to minimize the risk of fire, electric shock or personal injury.

- Use this appliance only for its intended purpose as described in this Owner's Manual.
- This air conditioner must be properly installed in accordance with the Installation Instructions before it is used.
- Never unplug your air conditioner by pulling on the power cord. Always grip plug firmly and pull straight out from the receptacle.
- Replace immediately all electric service cords that have become frayed or otherwise damaged. A damaged power supply cord must be replaced with a new power supply cord obtained from the manufacturer and not repaired. Do not use a cord that shows cracks or abrasion damage along its length or at either the plug or connector end.
- Turn the unit OFF and unplug your air conditioner before cleaning.
- For your safety...do not store or use combustible materials, gasoline or other flammable vapors or liquids in the vicinity of this or any other appliance.
- If the receptacle does not match the plug, the receptacle must be changed out by a qualified electrician.



### **WARNING**

**Risk of Fire or Explosion. This unit contains flammable refrigerant. Additional safety precautions must be followed.**

- Do not use means to accelerate the defrosting process or to clean, other than those recommended by the manufacturer.
- The appliance shall be stored in a room without continuously operating ignition sources (for example: open flames, an operating gas appliance or an operating electric heater).
- Do not pierce or burn refrigerant tubing. Be aware that refrigerants may not contain an odor.
- Keep ventilation openings clear of obstruction.
- When handling, installing, and operating the appliance, care should be taken to avoid damage to the refrigerant tubing.
- Do not drill holes in the unit.
- Maintenance, cleaning, and service should only be performed by technicians properly trained and qualified in the use of flammable refrigerants.
- GE Appliances does not support any servicing of the air conditioner.
- Dispose of air conditioner in accordance with Federal and Local Regulations. Flammable refrigerants require special disposal procedures. Contact your local authorities for the environmentally safe disposal of your air conditioner.

## READ AND SAVE THESE INSTRUCTIONS

# IMPORTANT SAFETY INFORMATION

## READ ALL INSTRUCTIONS BEFORE USING THE APPLIANCE

### **▲WARNING** USE OF EXTENSION CORDS

**RISK OF FIRE. Could cause serious injury or death.**

- DO NOT use an extension cord with this Window Air Conditioner.

- DO NOT use surge protectors or multi-outlet adaptors with this Window Air Conditioner.

### HOW TO CONNECT ELECTRICITY

Do not, under any circumstances, cut or remove the third (ground) prong from the power cord. For personal safety, this appliance must be properly grounded.

**DO NOT use an adapter plug with this appliance.**

The power cord of this appliance is equipped with a 3-prong (grounding) plug which mates with a standard 3-prong (grounding) wall outlet to minimize the possibility of electric shock hazard from this appliance.

Power cord includes a current interrupter device. A test and reset button is provided on the plug case. The device should be tested on a periodic basis by first pressing the **TEST** button and then the **RESET** button while plugged into the outlet. If the **TEST** button does not trip or if the **RESET** button will not stay engaged, discontinue use of the air conditioner and contact a qualified service technician.

Have the wall outlet and circuit checked by a qualified electrician to make sure the outlet is properly grounded.

Where a 2-prong wall outlet is encountered, it is your personal responsibility and obligation to have it replaced with a properly grounded 3-prong wall outlet.

The air conditioner should always be plugged into its own individual electrical outlet which has a voltage rating that matches the rating plate.

This provides the best performance and also prevents overloading house wiring circuits which could cause a fire hazard from overheated wires.

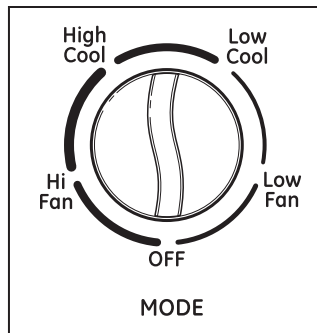
See the Installation Instructions, **Electrical Requirements** section for specific electrical connection requirements.

For appliance recycling information please visit [www.geappliances.com/recycling](http://www.geappliances.com/recycling).

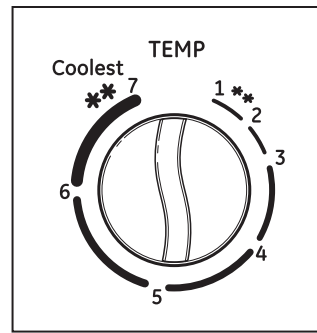
## READ AND SAVE THESE INSTRUCTIONS

# Controls

Features and appearance will vary.



**1** MODE CONTROL



**2** TEMPERATURE CONTROL

*Delay timer  
Increase  
Auto Fan on  
Fan speed  
Increase  
Unit power on/off*

## Controls

- 1 Mode Control**  
**High Cool** and **Low Cool** provide cooling with different fan speeds.  
 Fan settings provide air circulation and filtering without cooling.  
**NOTE:** If you move the mode control from a cool setting to **OFF** or to a fan setting, wait at least 3 minutes before switching back to a cool setting.

- 2 TEMP Control**  
 The TEMP control is used to maintain the room temperature. The compressor will cycle on and off to keep the room at the same level of comfort. When you turn the knob to a higher number, the indoor air will become cooler. Turn the knob to a lower number and the indoor air will become warmer.

### Cooling Descriptions

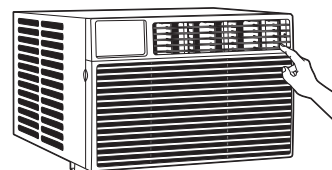
- For Normal Cooling**—Select **High Cool** or **Low Cool** with the TEMPERATURE control at midpoint.
- For Maximum Cooling**—Select **High Cool** with the TEMPERATURE control at the highest number available on your knob.
- For Quieter and Nighttime Cooling**—Select **Low Cool** with the TEMPERATURE control at midpoint.

### Do Not Operate in Freezing Outdoor Conditions

This cool-only air conditioner was not designed for freezing outdoor conditions. It must not be used in freezing outdoor conditions.

## Air Direction

Use the lever to adjust the air direction left and right only.



## Care and Cleaning

### Grille and Case

Turn the air conditioner off and remove the plug from the wall outlet before cleaning.

To clean, use water and a mild detergent. Do not use bleach or abrasives.

### Air Filter

The air filter behind the front grille should be checked and cleaned at least every 30 days or more often if necessary.

#### To remove:

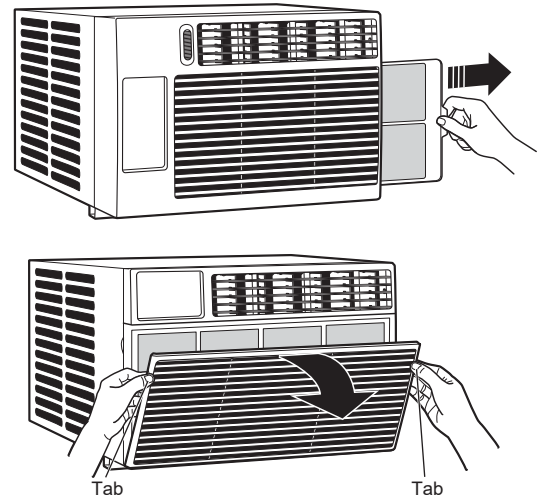
Pull the tab on the right side of the unit until the filter is out.

#### To remove:

Open the inlet grille by pulling downward on the tabs at the top upper corners of the inlet grille until the grille is in a 45° position. Remove the filter.

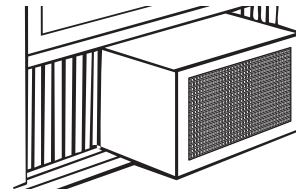
Clean the filter with warm, soapy water. Rinse and let the filter dry before replacing it.

**CAUTION** DO NOT operate the air conditioner without a filter because dirt and lint will clog it and reduce performance.



### Outdoor Coils

The coils on the outdoor side of the air conditioner should be checked regularly. If they are clogged with dirt or soot, they may be professionally cleaned.



### How to Insert the Batteries in the Remote Control

1. Remove the battery cover by sliding it according to the arrow direction.
2. Insert new batteries, making sure that the (+) and (-) of battery are installed correctly.
3. Reattach the cover by sliding it back into position.

#### NOTES:

- Use 2 "AAA" (1.5 volt) alkaline batteries. Do not use rechargeable batteries.
- Remove the batteries from the remote control if the system is not going to be used for a long time.
- Do not mix old and new batteries. Do not mix alkaline, standard (carbon-zinc) or rechargeable (ni-cad, ni-mh, etc) batteries.

# Installation Instructions

Questions? Call GE Appliances at 800.GE.CARES (800.432.2737) or visit our Website at: [GEAppliances.com](http://GEAppliances.com)

## BEFORE YOU BEGIN

Read these instructions completely and carefully.

- **IMPORTANT** — Save these instructions for local inspector's use.
- **IMPORTANT** — Observe all governing codes and ordinances.
- **Note to Installer** – Be sure to leave these instructions with the Consumer.
- **Note to Consumer** – Keep these instructions for future reference.
- **Skill level** – Installation of this appliance requires basic mechanical skills.
- **Completion time** – Approximately 1 hour
- We recommend that two people install this product.
- Proper installation is the responsibility of the installer.
- Product failure due to improper installation is not covered under the Warranty.
- You **MUST** use all supplied parts and use proper installation procedures as described in these instructions when installing this air conditioner.

## ELECTRICAL REQUIREMENTS



Some models require a 115/120-volt AC, 60-Hz grounded outlet protected with a 15-amp time-delay fuse or circuit breaker.

The 3-prong grounding plug minimizes the possibility of electric shock hazard. If the wall outlet you plan to use is only a 2-prong outlet, it is your responsibility to have it replaced with a properly grounded 3-prong wall outlet.



Some models require 230/208-volt AC, protected with a time-delay fuse or circuit breaker. These models should be installed on their own single branch circuit for best performance and to prevent overloading house or apartment wiring circuits, which could cause a possible fire hazard from overheating wires.

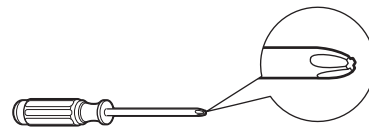
## CAUTION

Do not, under any circumstances, cut or remove the third (ground) prong from the power cord.

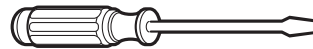
Do not change the plug on the power cord of this air conditioner.

Aluminum house wiring may present special problems—consult a qualified electrician.

## TOOLS YOU WILL NEED



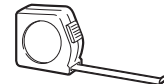
Phillips head screwdriver



Flat-blade screwdriver



Pencil



Ruler or tape measure



Level

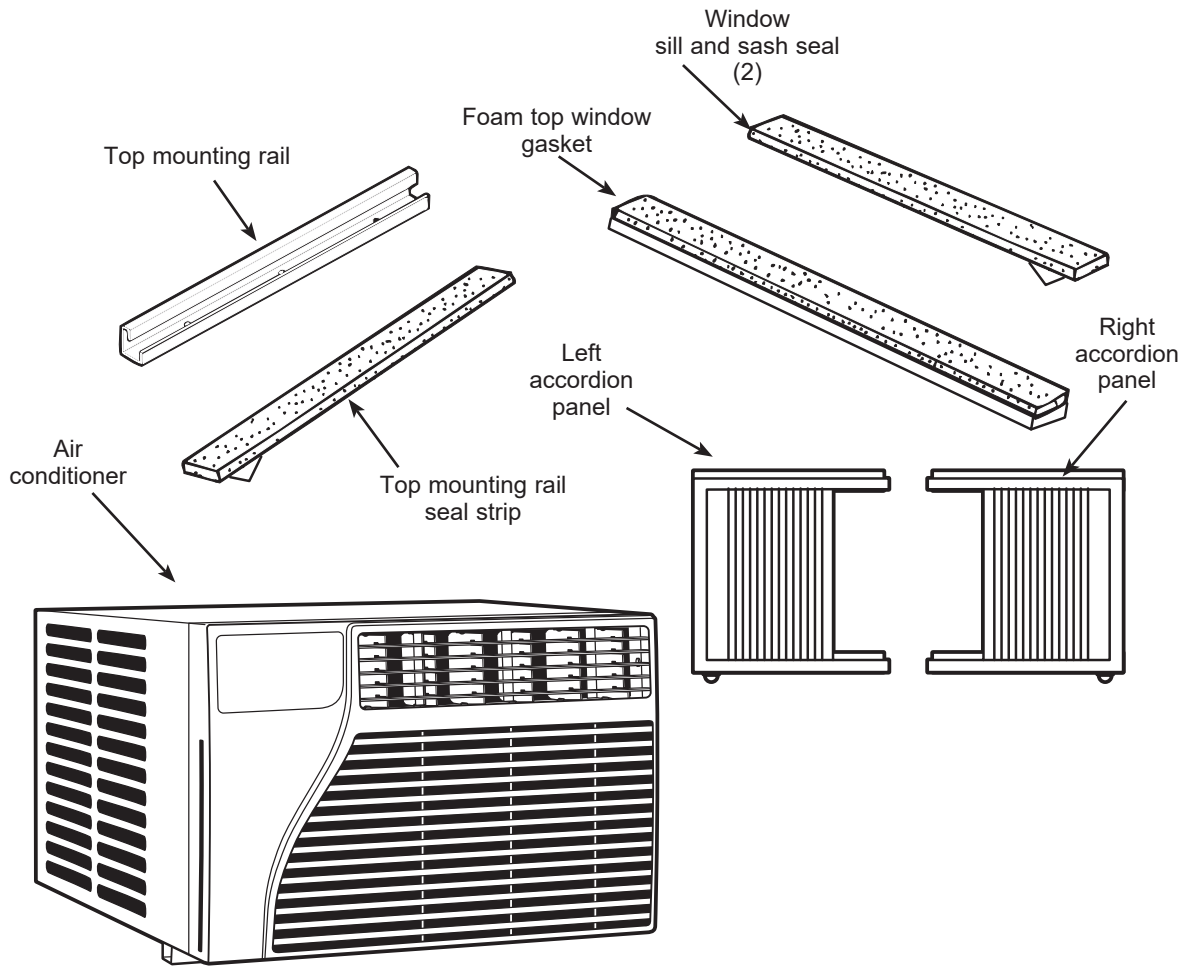


Scissors or knife

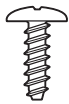
Power cord includes a current interrupter device. A test and reset button is provided on the plug case. The device should be tested on a periodic basis by first pressing the **TEST** button and then the **RESET** button while plugged into the outlet. If the **TEST** button does not trip or if the **RESET** button will not stay engaged, discontinue use of the air conditioner and contact a qualified service technician.

# Installation Instructions

## PARTS INCLUDED (Appearance may vary)



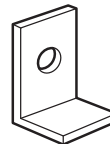
Type A (4)



Type B (6)



Window locking bracket (1)

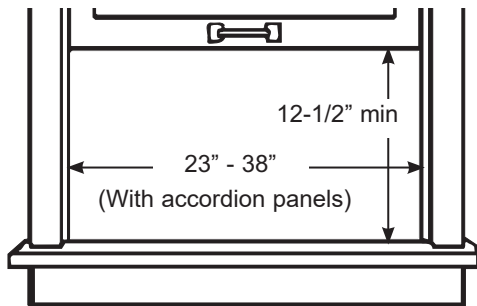




# Installation Instructions

## 1. WINDOW REQUIREMENTS

- These instructions are for a standard double-hung window. You will need to modify them for other types of windows.
- The air conditioner can be installed without the accordion panels if needed to fit in a narrow window. See the window opening dimensions.
- All supporting parts must be secured to firm wood, masonry or metal.
- The electrical outlet must be within reach of the power cord.
- Follow the dimensions in the table and illustration for your model.



## 2. STORM WINDOW REQUIREMENTS

A storm window frame will not allow the air conditioner to tilt toward the outside, and will keep it from draining properly. To adjust for this, attach a piece of wood to the sill.

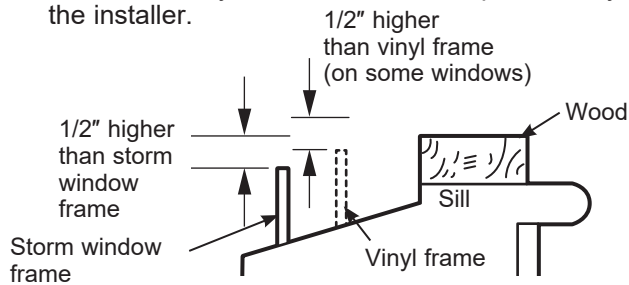
### WOOD PIECES

WIDTH: 2"

LENGTH: Long enough to fit inside the window frame.

THICKNESS: To determine the thickness, place a piece of wood on the sill to make it 1/2" higher than the top of the storm window frame or the vinyl frame.

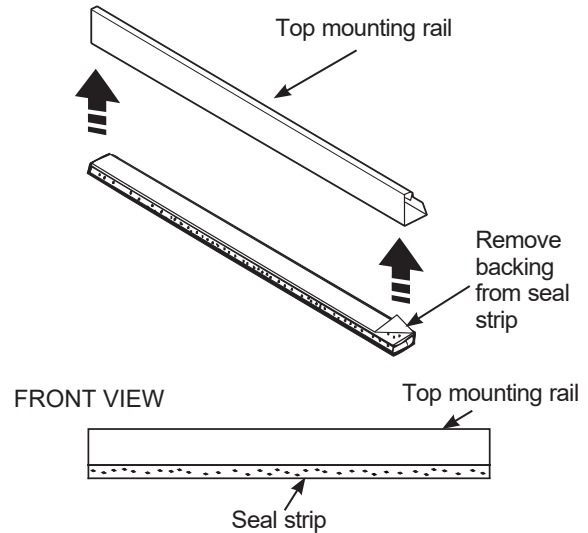
Attach securely with nails or screws provided by the installer.



## 3. ATTACH THE TOP MOUNTING RAIL SEAL STRIP

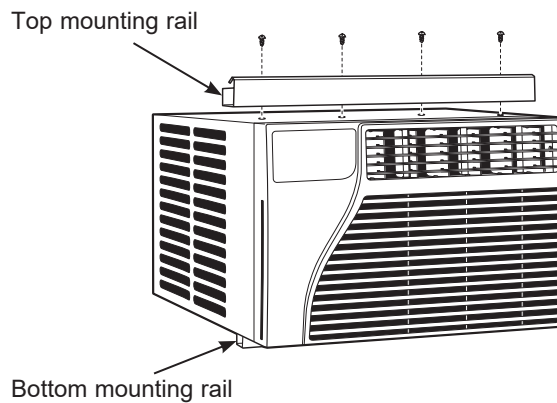
(Some models may have the seal strip already attached to the top mounting rail. If applicable, skip this step.)

Remove the backing from the top mounting rail seal strip and attach the seal strip to the bottom of the top mounting rail, along the front edge.

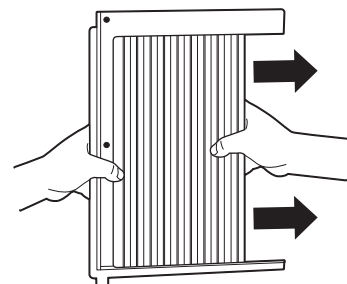


## 4. PREPARE THE AIR CONDITIONER

A. Install the top mounting rail with 4 Type A screws from the outside of the case.



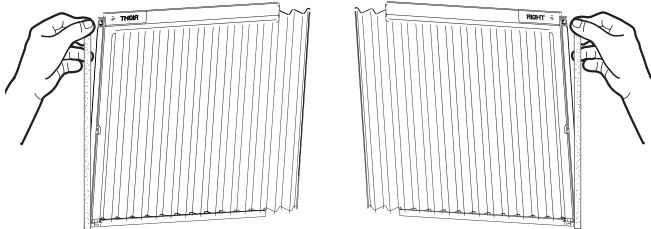
B. Hold the accordion panel in one hand and gently pull back to free the open end.



# Installation Instructions

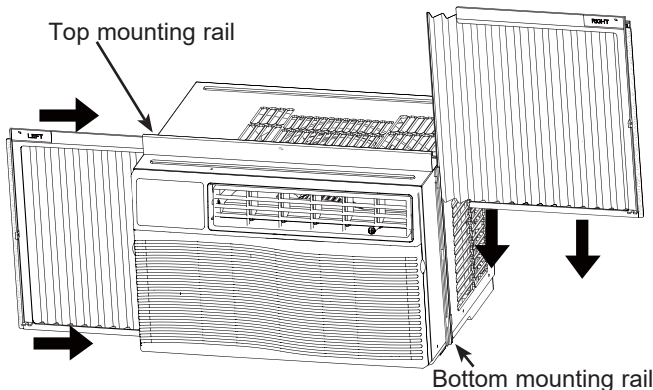
## 4. PREPARE THE AIR CONDITIONER (cont.)

- C. Remove the backing from the accordion seal (two short strips). Stick one sealing strip respectively on the left side and right side of the accordion panels, as shown.

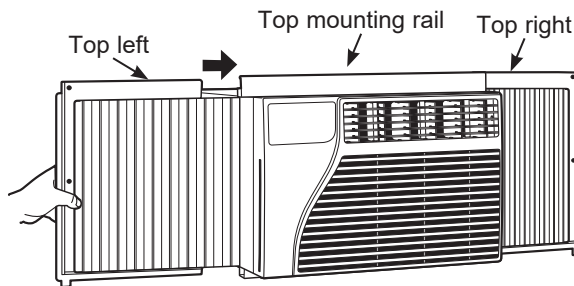


- D. Slide the free end of the accordion panel into the side panel rails. Slide the panel down. Be sure to leave enough space to slip the top and bottom of the frame into the rails on the cabinet.

NOTE: There is a right and a left accordion panel. Be sure to use the proper panel for each side.

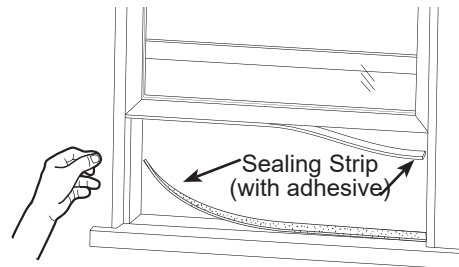


- E. Slide the left and right accordion panels into the top and bottom mounting rails.



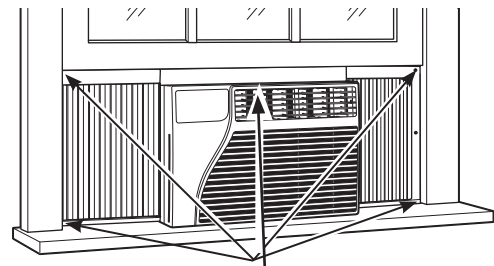
## 5. PREPARE THE WINDOW

Cut the window seal (2 long strips) to the proper length. Peel off the backing and attach the seal to the underside of the window sash.



## 6. INSTALL THE AIR CONDITIONER IN THE WINDOW

- A. Place the air conditioner on the sill with the bottom mounting rail against its back edge. Center it and close the window securely behind the top mounting rail. It should be level or slightly tilted to the outside. Use a level; about a 1/3 bubble will be the correct case slant to the outside.



Type B screws

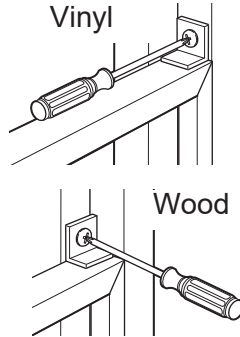
- B. Extend the left and right accordion panels to the vertical window sashes and attach, through the holes in the panels, with 5 Type B screws, as appropriate.

# Installation Instructions

## 7. INSTALL SUPPORT BRACKET AND FOAM TOP WINDOW GASKET

### A. **CAUTION:**

To prevent broken glass or damage to windows, on vinyl or other similarly constructed windows, attach the window locking bracket to the window side jamb with one Type B screw.



B. Cut the foam top window gasket to the window width.

C. Stuff the foam between the glass and the window to prevent air and insects from getting into the room.



**NOTE:** If the gasket supplied does not fit your window, obtain appropriate material locally to provide a proper installation seal.

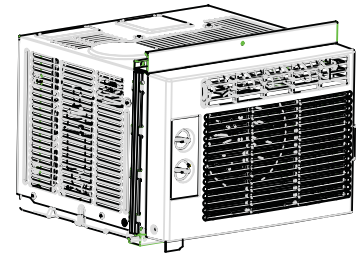
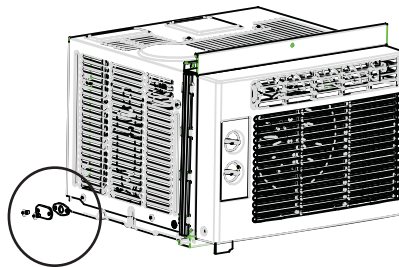
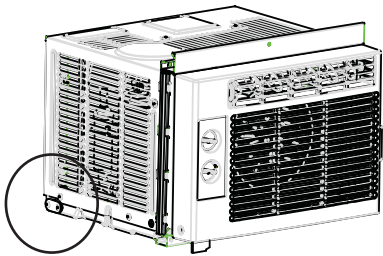
# Troubleshooting

Problem	Possible Causes	What To Do
Air conditioner does not start	The air conditioner is unplugged.	Make sure the air conditioner plug is pushed completely into the outlet.
	The fuse is blown/circuit breaker is tripped.	Check the house fuse/circuit breaker box and replace the fuse or reset the breaker.
	Power failure.	The unit will automatically restart in the settings last used after the power is restored. There is a protective time delay (approximately 3 minutes) to prevent tripping of the compressor overload. For this reason, the unit may not start normal cooling for 3 minutes after it is turned back on.
	The current interrupter device is tripped.	Press the <b>RESET</b> button located on the power cord plug. If the <b>RESET</b> button will not stay engaged, discontinue use of the air conditioner and contact a qualified service technician.
Air conditioner does not cool as it should	Airflow is restricted.	Make sure there are no curtains, blinds or furniture blocking the front of the air conditioner.
	The temp control may not be set correctly.	On models with touch pads: In the <b>Cool</b> mode, press the Decrease – pad. On models with control knobs, turn the temperature knob to a higher number.
	The air filter is dirty.	Clean the filter at least every 30 days. See the <i>Care and Cleaning</i> section.
	The room may have been hot.	When the air conditioner is first turned on, you need to allow time for the room to cool down.
	Cold air is escaping.	Check for open furnace registers and cold air returns.
	Cooling coils have iced up.	See “ <b>Air conditioner freezing up</b> ” below.
Air conditioner freezing up	Ice blocks the air flow and stops the air conditioner from cooling the room.	On models with control knobs, set the mode control at <b>High Fan</b> or <b>High Cool</b> with the <b>Temp</b> at <b>1</b> or <b>2</b> .
		On models with touch pads, set the controls at <b>High Fan</b> or <b>High Cool</b> and set the thermostat to a higher temperature.
The remote control is not working	The batteries are inserted incorrectly.	Check the position of the batteries. They should be inserted in the opposite (+) and (–) direction.
	The batteries may be dead.	Replace the batteries.
Water drips outside	Hot, humid weather.	This is normal.
Water drips indoors	The air conditioner is not tilted to the outside.	For proper water disposal, make sure the air conditioner slants slightly from the case front to the rear.
Water collects in base pan	Moisture removed from air and drains into base pan.	This is normal for a short period in areas with little humidity; normal for a longer period in very humid areas.

# Troubleshooting

## Normal Operating Sounds

- You may hear a pinging noise caused by water being picked up and thrown against the condenser on rainy days or when the humidity is high. This design feature helps remove moisture and improve efficiency.
- You may hear the thermostat click when the compressor cycles on and off.
- Water will collect in the base pan during high humidity or on rainy days. The water may overflow and drip from the outdoor side of the unit.
- The fan may run even when the compressor does not.
- Water droplets being thrown against the outside coils can make a pinging noise. This helps cool the condenser. You can reduce this noise by removing the side-base water hole seal by removing 2 screws, then hole seal. Removing this seal will lower the Energy Efficiency of your unit. NOTE: Do not drill hole in the base pan.





# Warranty

<b>For The Period Of:</b>	<b>GE Appliances Will Replace:</b>
<i>One Year</i> <i>From the date of the original purchase</i>	<b>Replacement unit</b> for any product which fails due to a defect in materials or workmanship. The replacement unit is warranted for the remainder of your product's original one-year warranty period. The replacement unit may either be a new unit or a refurbished unit.

**In Order to Make a Warranty Claim During the First 90 Days from the Date of Original Purchase:**

- Properly pack your unit. We recommend using the original carton and packing materials.
- Return the product to the retail location where it was purchased.
- Include in the package a copy of the sales receipt or other evidence of date of original purchase. Also print your name and address and a description of the defect.

**In Order to Make a Warranty Claim During the Remainder of the One-Year Warranty:**

- Locate your original sales receipt and make a note of your model and serial number.
- Call GE Appliances at 1.866.907.1655 to initiate the product replacement process.
- You will be asked to provide your name, address, date of purchase, model and serial number.
- GE Appliances will arrange for a carton to be sent to your home to recover the product.
- You must return the product (postage pre-paid by GE Appliances) to GE Appliances' recovery center before a replacement unit will be provided. Please include a description of the defect.
- You should receive your replacement product within 7 to 10 business days after your unit is received.

**What Is Not Covered:**

- Customer instruction. This owner's manual provides information regarding operating instructions and user controls.
- Improper installation. If you have an installation problem, or if the air conditioner is of improper cooling capacity for the intended use, contact your dealer or installer. You are responsible for providing adequate electrical connecting facilities.
- Failure of the product resulting from modifications to the product or due to unreasonable use including failure to provide reasonable and necessary maintenance.
- Replacement of house fuses or resetting of circuit breakers.
- Failure due to corrosion on models not corrosion-protected.
- Damage to the product caused by improper power supply voltage, accident, fire, floods or acts of God.
- Incidental or consequential damage caused by possible defects with this air conditioner.
- Damage caused after delivery.

**EXCLUSION OF IMPLIED WARRANTIES—Your sole and exclusive remedy is product replacement as provided in this Limited Warranty. Any implied warranties, including the implied warranties of merchantability or fitness for a particular purpose, are limited to one year or the shortest period allowed by law.**

This warranty is extended to the original purchaser and any succeeding owner for products purchased for home use within the USA.

Some states do not allow the exclusion or limitation of incidental or consequential damages. This warranty gives you specific legal rights, and you may also have other rights which vary from state to state. To know what your legal rights are, consult your local or state consumer affairs office or your state's Attorney General.

**Exclusion of implied warranties:** Except where prohibited or restricted by law, there are no warranties, whether express, oral or statutory which extend beyond the description on the face hereof, including specifically the implied warranties of merchantability or fitness for a particular purpose.

Staple your receipt here. Proof of the original purchase date is needed to obtain service under the warranty.

**Warrantor: GE Appliances, a Haier company**

# Consumer Support

---

## GE Appliances Website

Have a question or need assistance with your appliance? Try the GE Appliances Website 24 hours a day, any day of the year! You can also shop for more great GE Appliances products and take advantage of all our on-line support services designed for your convenience. In the US: **GEAppliances.com**

---

## Register Your Appliance

Register your new appliance on-line at your convenience! Timely product registration will allow for enhanced communication and prompt service under the terms of your warranty, should the need arise. You may also mail in the pre-printed registration card included in the packing material. In the US: **GEAppliances.com/register**

---

## Parts and Accessories

Individuals qualified to service their own appliances can have parts or accessories sent directly to their homes (VISA, MasterCard and Discover cards are accepted). Order on-line today 24 hours every day. In the US: **GEApplianceparts.com** or by phone at 877.959.8688 during normal business hours.

**Instructions contained in this manual cover procedures to be performed by any user. Other servicing generally should be referred to qualified service personnel. Caution must be exercised, since improper servicing may cause unsafe operation.**

---

## Contact Us

If you are not satisfied with the service you receive from GE Appliances, contact us on our Website with all the details including your phone number, or write to:

In the US: General Manager, Customer Relations | GE Appliances, Appliance Park | Louisville, KY 40225  
**GEAppliances.com/ge/service-and-support/contact.htm**





# ACONDICIONADORES DE AIRE PARA SALA

**INSTRUCCIONES DE SEGURIDAD** .....3

**USO DEL ACONDICIONADOR DE AIRE**  
 Controle.....5

**CUIDADO Y LIMPIEZA**  
 Filtro de aire .....6  
 Bobinas para exteriores .....6

**INSTRUCCIONES DE INSTALACIÓN** .....7

**SOLUCIONAR PROBLEMAS**....12  
 Sonidos de operación normales .....13

**GARANTÍA** .....15

**SERVICIO AL CONSUMIDOR**...16

**MANUAL DEL PROPIETARIO Y INSTRUCCIONES DE INSTALACIÓN**

AEL05

Escriba los números de modelo y serie aquí:

# de Modelo \_\_\_\_\_

# de Serie \_\_\_\_\_

Puede encontrar estos números en una etiqueta en el costado del acondicionador de aire.

## **GRACIAS POR HACER QUE GE APPLIANCES SEA PARTE DE SU HOGAR.**

---

Ya sea que haya crecido usando GE Appliances, o que ésta es su primera vez, nos complace tenerlo en la familia.

Sentimos orgullo por el nivel de arte, innovación y diseño de cada uno de los electrodomésticos de GE Appliances, y creemos que usted también. Entre otras cosas, el registro de su electrodoméstico asegura que podamos entregarle información importante del producto y detalles de la garantía cuando los necesite.

Registre su electrodoméstico GE ahora a través de Internet. Sitios Web y números telefónicos útiles están disponibles en la sección de Soporte para el Consumidor de este Manual del Propietario.

También puede enviar una carta en la tarjeta de inscripción preimpresa que se incluye con el material embalado.



**GE APPLIANCES**

# INFORMACIÓN IMPORTANTE DE SEGURIDAD

## LEA TODAS LAS INSTRUCCIONES ANTES DE USAR



### ADVERTENCIA

Para su seguridad, siga las instrucciones de este manual a fin de minimizar riesgos de incendio, descargas eléctricas o heridas personales.

- Use este electrodoméstico sólo para su propósito original, como se describe en el Manual del Propietario.
- Este acondicionador de aire se debe instalar de forma apropiada de acuerdo con las Instrucciones de Instalación antes de ser usado.
- Nunca desenchufe su acondicionador de aire empujando el cable de corriente. Siempre tome su enchufe de manera firme y empuje el mismo hacia afuera del receptáculo.
- Reemplace de inmediato todos los cables del servicio de electricidad pelados o con cualquier tipo de daño. Un cable del servicio de corriente que esté dañado deberá ser reemplazado por uno nuevo provisto por el fabricante, y no deberá ser reparado. No use un cable con cortaduras o abrasión sobre su extensión o en cualquiera de sus enchufes o extremos.
- Coloque la unidad en OFF (Apagado) y desenchufe el acondicionador de aire antes de usar el mismo.
- Para su seguridad... no acumule ni use materiales combustibles, gasolina u otros vapores o líquidos inflamables cerca de éste u otro electrodoméstico.
- Si el receptáculo no coincide con el enchufe, el cambio del mismo deberá ser realizado por un electricista calificado.



### ADVERTENCIA

**Riesgo de Incendio o Explosión. Esta unidad contiene refrigerante inflamable. Se deben seguir las precauciones adicionales de seguridad.**

- A fin de acelerar el proceso de descongelación o para limpiar, no use ningún método que no sea el recomendado por el fabricante.
- Este electrodoméstico deberá ser guardado en una sala donde no haya fuentes de encendido continuas (por ejemplo: llamas abiertas, un electrodoméstico que funcione a gas o un calefactor que funcione a electricidad).
- No perforo ni queme el tubo refrigerante. Tenga presente que los refrigerantes no deben tener olor.
- Mantenga las aberturas de la ventilación libres de obstrucciones.
- Al mover, instalar y operar el electrodoméstico, se deberá tener cuidado para evitar dañar la tubería del refrigerante.
- No realice perforaciones en la unidad.
- El mantenimiento, la limpieza y el servicio técnico sólo deberán ser realizados por técnicos adecuadamente entrenados y calificados en el uso de refrigerantes inflamables.
- GE no suministra servicio técnico para el acondicionador de aire.
- Descarte el electrodoméstico de acuerdo con las Regulaciones Federales y Locales. Los refrigerantes inflamables requieren procedimientos de descarte específicos. A fin de descartar su acondicionador de aire de forma ambientalmente segura, comuníquese con las autoridades locales.

## LEA Y GUARDE ESTAS INSTRUCCIONES

# INFORMACIÓN IMPORTANTE DE SEGURIDAD LEA TODAS LAS INSTRUCCIONES ANTES DE USAR

## ADVERTENCIA

### USO DE PROLONGADORES

**RIESGO DE INCENDIO. Podría ocasionar lesiones graves o la muerte.**

- NO use un prolongador con este Acondicionador de Aire de Ventana.

- NO use protectores contra picos de corriente ni adaptadores para múltiples tomacorrientes con este Acondicionador de Aire de Ventana.

### CÓMO CONECTAR LA ELECTRICIDAD

Nunca, bajo ninguna circunstancia, corte o elimine el tercer cable (tierra) del cable de corriente. Para su seguridad personal, este electrodoméstico debe estar adecuadamente conectado a tierra.

**NO use un enchufe adaptador con este electrodoméstico.**

El cable de corriente de este electrodoméstico contiene un enchufe de 3 cables (conexión a tierra) que se conecta a un tomacorriente de pared estándar de 3 cables (conexión a tierra) para minimizar la posibilidad de riesgos de descargas eléctricas por parte del mismo.

El cable de corriente incluye un interruptor de corriente. Se brinda un botón de evaluación y reinicio en la caja del enchufe. El dispositivo deberá ser evaluado en forma periódica, presionando primero el botón **TEST** (Evaluar) y luego **RESET** (Reinicio) mientras se encuentre enchufado al tomacorriente. Si el botón **TEST** (Evaluar) no se activa o el botón **RESET** (Reinicio) no permanece en su posición, deje de usar el acondicionador de aire y comuníquese con un técnico calificado del servicio.

Contrate a un electricista calificado para que controle el tomacorriente y el circuito eléctrico para asegurar que el enchufe esté correctamente conectado a tierra.

En caso de contar con un tomacorriente de pared de 2 cables, es su responsabilidad y obligación reemplazarlo por un tomacorriente de pared de 3 cables correctamente conectado a tierra.

El acondicionador de aire debería estar siempre conectado a un enchufe específico con un índice de voltaje equivalente al que figura en su etiqueta de características técnicas.

Esto garantiza el mejor funcionamiento y además previene la sobrecarga de los circuitos del hogar, lo cual podría ocasionar riesgos de incendio debido al recalentamiento de cables.

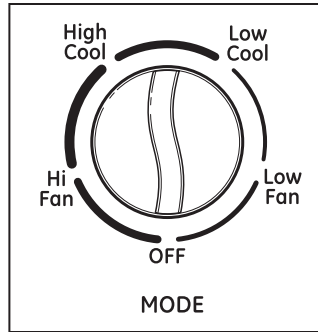
Para conocer los requisitos específicos de la conexión eléctrica, consulte las Instrucciones de Instalación, Requisitos Eléctricos.

Para acceder a información sobre como reciclar sus electrodomésticos, ingrese a [www.geappliances.com/recycling](http://www.geappliances.com/recycling).

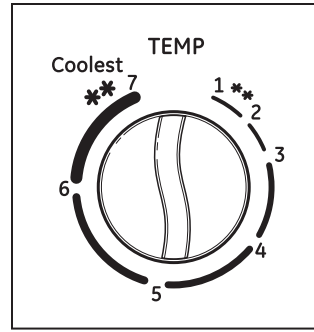
## LEA Y GUARDE ESTAS INSTRUCCIONES

# Controles

Las funciones y la apariencia podrán variar.



1 CONTROL DE MODO



2 CONTROL DE TEMPERATURA

## Controles

**1 Control de Modo**  
**High Cool (Frío Alto)** y **Low Cool (Frío Bajo)** brindan refrigeración con diferentes velocidades del ventilador. Los ajustes del ventilador brindan circulación de aire y filtrado sin refrigeración.  
**NOTA:** Si mueve el control de modo de un ajuste de refrigeración a **OFF** (Apagar) o a un ajuste del ventilador, espere por los menos 3 minutos antes de volver a activar un ajuste de refrigeración.

**2 Control de TEMPERATURA**  
 El control de TEMPERATURA se usa para mantener la temperatura del ambiente. El compresor realizará el ciclo de encendido y apagado para mantener la habitación al mismo nivel de confort. Al girar la perilla a un número más alto, el aire interior comenzará a ser más frío. Al girar la perilla a un número más bajo, el aire interior comenzará a ser más cálido.

### Descripciones de Refrigeración

**Para una Refrigeración Normal**—Seleccione **High Cool (Frío Alto)** o **Low Cool (Frío Bajo)** con el control de TEMPERATURA en el punto intermedio.

**Para una Refrigeración Máxima**—Seleccione **High Cool (Frío Alto)** con el control de TEMPERATURA en el número más alto disponible en la perilla.

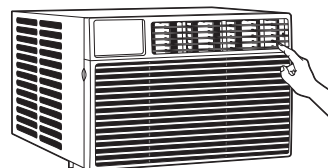
**Para una Refrigeración Más Suave y Nocturna**—Seleccione **Low Cool (Frío Bajo)** con el control de TEMPERATURA en el punto intermedio.

### No use en las condiciones externas debajo el punto de congelación

Este acondicionador de aire no es diseñado para usar en temperaturas externas debajo el punto de congelación. No use en las condiciones externas debajo el punto de congelación.

## Dirección del aire

Use la palanca para ajustar la dirección del aire hacia la izquierda y la derecha solamente.



# Cuidado y Limpieza

## Rejilla y caja

Apague el acondicionador de aire y retire el enchufe del tomacorriente de la pared antes de limpiar.

Para limpiar, use agua y un detergente suave. No use cloro o materiales abrasivos.

## Filtro de aire

El filtro de aire detrás de la rejilla frontal debe inspeccionarse y limpiarse por lo menos cada 30 días o más a menudo si fuese necesario.

### Para retirarlo:

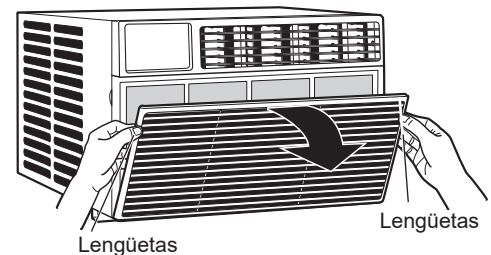
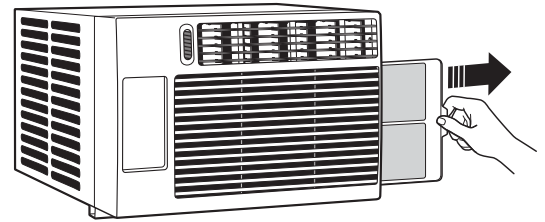
Empuje la lengüeta del lado derecho de la unidad hasta haber retirado el filtro.

### Para retirarlo:

Abra la rejilla de entrada empujando hacia abajo las lengüetas en las esquinas superiores de la rejilla de entrada, hasta que la rejilla se encuentre en una posición de 45°. Retire el filtro.

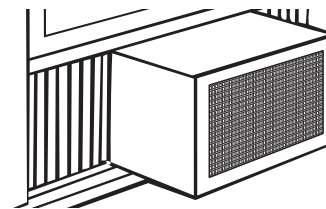
Limpie el filtro con agua tibia y jabón. Enjuáguelo y permita que se seque antes de colocarlo otra vez en su lugar.

**⚠ PRECAUCIÓN** NO OPERE el acondicionador de aire sin el filtro debido a que la suciedad y las pelusas lo obstruirán y reducirán su rendimiento.



## Bobinas para exteriores

Se deben inspeccionar con frecuencia las bobinas en el lado exterior del acondicionador de aire. Si las mismas están obstruidas con suciedad u hollín, podrían limpiarse profesionalmente.



## Cómo insertar las pilas en el control remoto

1. Retire la cubierta de la pila deslizándola de acuerdo con la dirección de la flecha.
2. Inserte pilas nuevas cerciorándose de que los polos positivos (+) y negativos (-) están orientados correctamente.
3. Coloque la cubierta otra vez deslizándola en su lugar.

### NOTAS:

- Use 2 pilas alcalinas "AAA" de 1,5 voltios. No use pilas recargables.
- Retire las pilas del control remoto si no va a usar el sistema por un período prolongado.
- No mezcle baterías nuevas y viejas. No mezcle baterías alcalinas, estándar (carbono-cinc) o recargables (ni-cad, ni-mh, etc).

# Instrucciones de instalación

¿Preguntas? Llame 800.GE.CARES (800.432.2737) o visite nuestra página en la red en: [GEAppliances.com](http://GEAppliances.com)

## ANTES DE INICIAR

Lea estas instrucciones completa y cuidadosamente.

- **IMPORTANTE** — Guarde estas instrucciones para uso del inspector local.
- **IMPORTANTE** — Observe todos los códigos y órdenes de ley.
- **Nota al instalador** – Asegúrese de dejar estas instrucciones con el consumidor.
- **Nota al consumidor** – Conserve estas instrucciones para referencia futura.
- **Nivel de destreza** – La instalación de este aparato requiere de destrezas mecánicas básicas.
- **Tiempo de ejecución** – Aprox. 1 hora
- Recomendamos dos personas para la instalación de este producto.
- La instalación apropiada es la responsabilidad del instalador.
- La falla del producto debido a una instalación inadecuada no está cubierta por la garantía.
- Cuando instale este acondicionador de aire, DEBE usar todas las piezas suministradas y usar procedimientos adecuados de instalación.

## Requisitos eléctricos



Algunos modelos requieren tomacorrientes de 115/120 voltios de corriente alterna y 60 Hz conectados a tierra, protegidos con un fusible de dilatación de tiempo de 15 amperios o un cortacircuitos.

El enchufe de tres púas con conexión a tierra minimiza la posibilidad de descargas eléctricas. Si el tomacorriente de la pared que usted planea usar solamente tiene 2 tomas, es su responsabilidad hacer que un técnico lo reemplace por uno de tres tomas con conexión a tierra.



Algunos modelos requieren 230/208 voltios, de corriente alterna, protegidos por un fusible de dilatación de tiempo o un cortacircuitos.



Estos modelos deberían instalarse en un ramal exclusivo del circuito para un rendimiento más notable y para prevenir sobrecargas en los circuitos de cableados de su casa o apartamento, lo cual podría representar un riesgo de incendio por el sobrecalentamiento de los alambres.

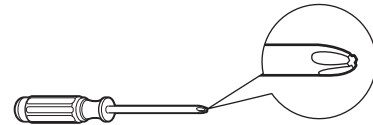
## PRECAUCIÓN

Bajo ninguna circunstancia corte o remueva la tercera púa (conexión a tierra) del cable eléctrico.

No cambie el enchufe en el cable eléctrico de este acondicionador de aire.

Los cables caseros de aluminio podrían presentar problemas especiales. Consulte a un técnico electricista calificado.

## Herramientas que necesitará



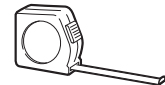
Un destornillador de estrella



Un destornillador con hoja plana



Lápiz



Una regla o cinta métrica



Nivel

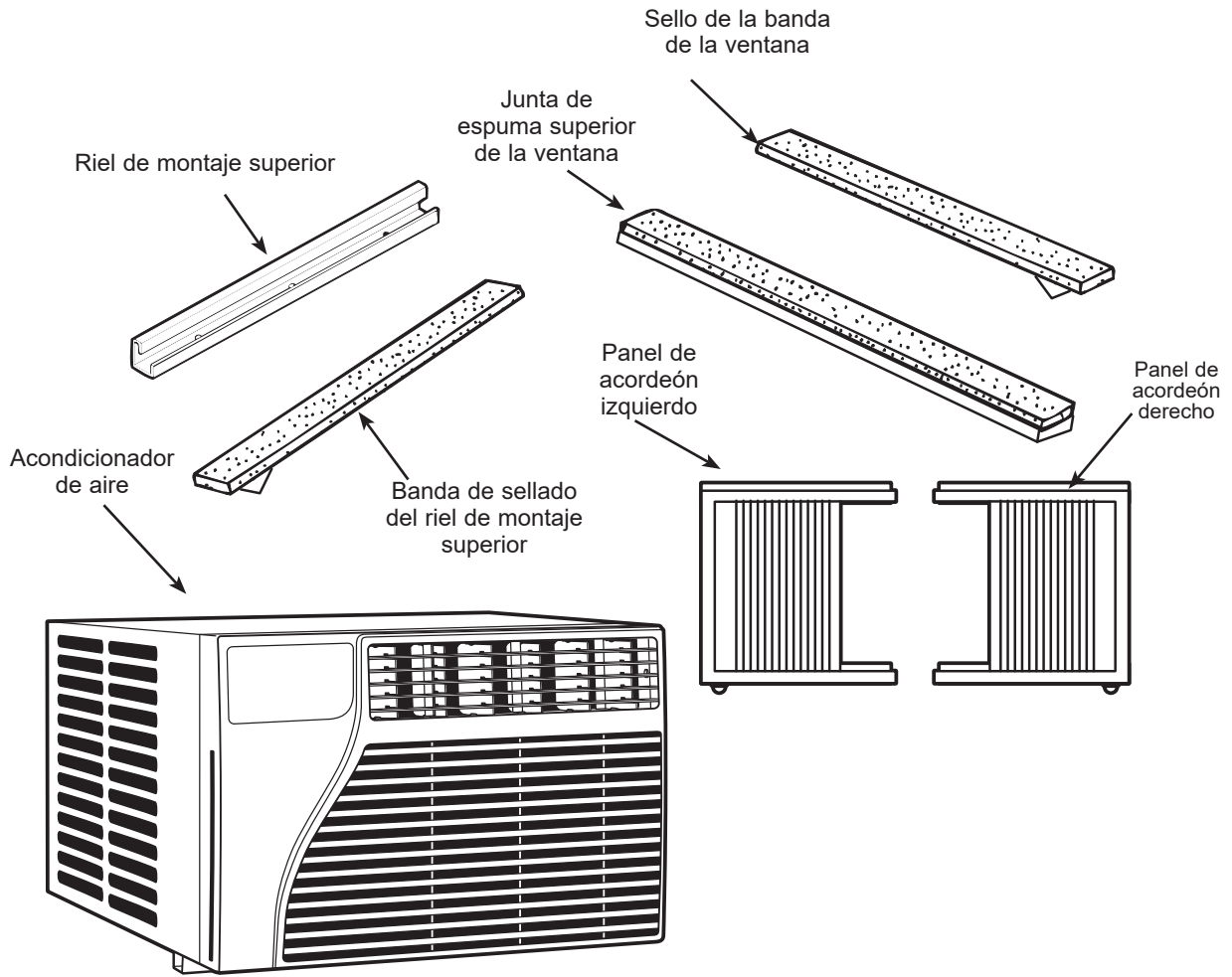


Tijeras o cuchilla

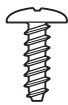
El cable de alimentación incluye un dispositivo para interrupción de corriente. Se incluye un botón de prueba y de reinicio en el dispositivo. El dispositivo debe ponerse a prueba periódicamente: primero se presiona el botón de TEST (prueba) y luego RESET (reinicio) mientras se encuentra enchufado al tomacorriente. Si el botón TEST no se dispara o si el botón RESET no queda enganchado, deje de utilizar el acondicionador de aire y comuníquese con un técnico calificado.

# Instrucciones de instalación

## PARTES INCLUIDAS (Apariencia puede variar)



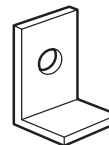
Tipo A (4)



Tipo B (6)



Soporte de cierre de la ventana (1)

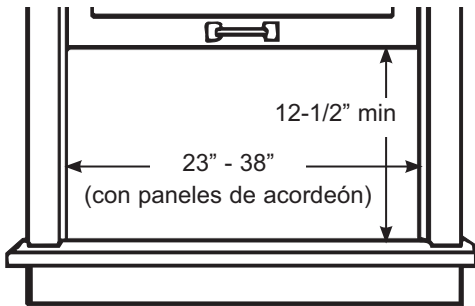




# Instrucciones de instalación

## 1. REQUISITOS PARA LA VENTANA

- Estas instrucciones son para una ventana estándar de dos pliegues. Usted necesitará modificar el proceso para otros tipos de ventanas.
- El acondicionador de aire puede instalarse sin los paneles de acordeón para ajustarse a una ventana más estrecha. Ver las dimensiones de la abertura de la ventana.
- Todas las partes de apoyo deben quedar totalmente aseguradas a algún metal, mampostería o a la madera.
- El tomacorriente eléctrico debe estar al alcance del cable eléctrico del acondicionador de aire.
- Siga las dimensiones de la tabla y la ilustración según su modelo.



## 2. REQUISITOS DE UNA VENTANA DE TORMENTAS

Un marco de ventana de tormentas no permitirá que el acondicionador de aire se incline hacia el exterior y evitará que drene apropiadamente. Para solucionar este problema, adhiera un pedazo de madera a el umbral.

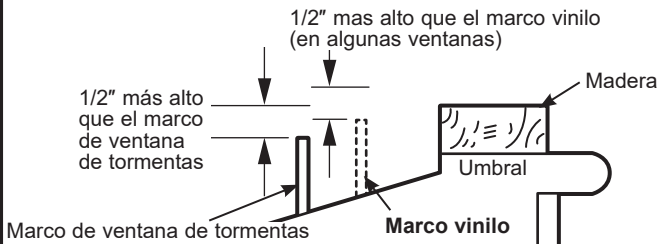
### PEDAZOS DE MADERA

#### ANCHO: 2

**LONGITUD:** Lo suficientemente largo como para ajustar en el interior del marco de la ventana.

**GRUESO:** Para determinar el grueso, coloque un pedazo de madera en el umbral para hacerla 1/2" más alta que la parte superior del marco de la ventana de tormentas o del marco vinilo.

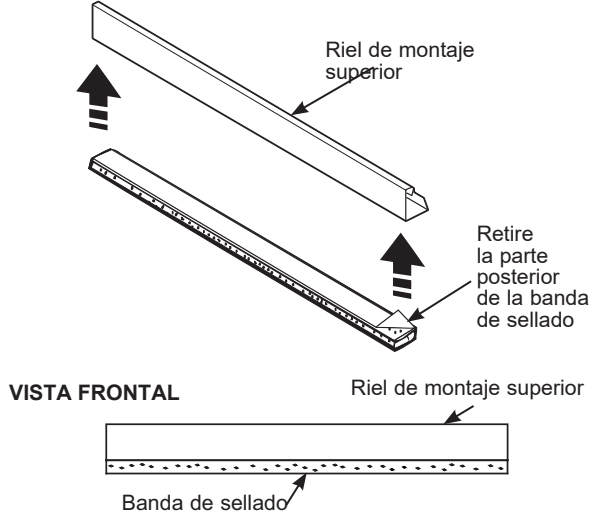
Péguelo firmemente con clavos o con tornillos proporcionados por el instalador.



## 3. PEGUE LA BANDA DE SELLADO DEL RIEL DE MONTAJE SUPERIOR

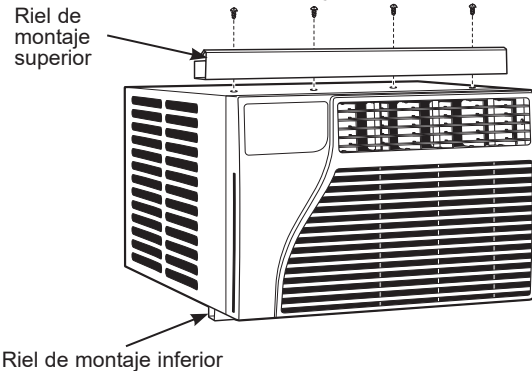
(Es posible que en algunos modelos la banda de sellado ya se encuentre sobre el riel de montaje. Si corresponde, saltee este paso.)

Retire la parte posterior de la banda de sellado del riel de montaje superior y pegue la banda de sellado al fondo del riel de montaje superior a lo largo el borde delantero.

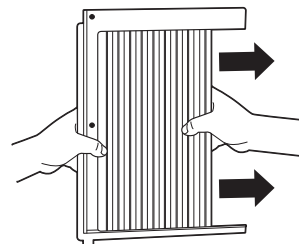


## 4. PREPARE EL ACONDICIONADOR DE AIRE

- A.** Instale el riel de montaje superior con 4 tornillos tipo A desde la parte exterior de la caja.



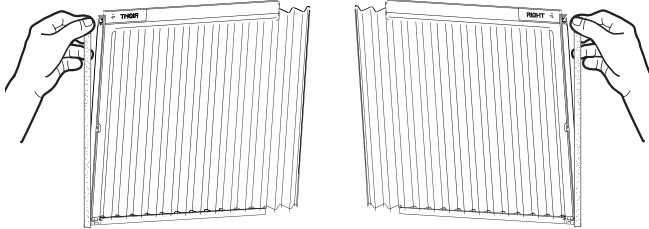
- B.** Sostenga el panel de acordeón con una mano y suavemente retire hacia atrás para liberar el extremo abierto.



# Instrucciones de instalación

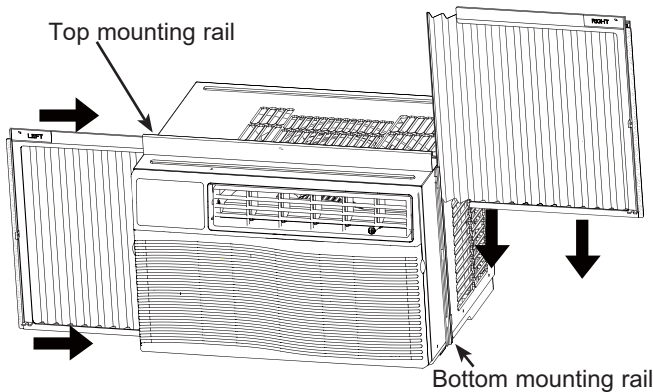
## 4. PREPARE EL ACONDICIONADOR DE AIRE(cont.)

**C.** Retire la parte trasera del sellado con forma de acordeón (dos tiras cortas). Adhiera una tira de sellado respectivamente del lado izquierdo y del lado derecho de los paneles de acordeón, como se muestra.

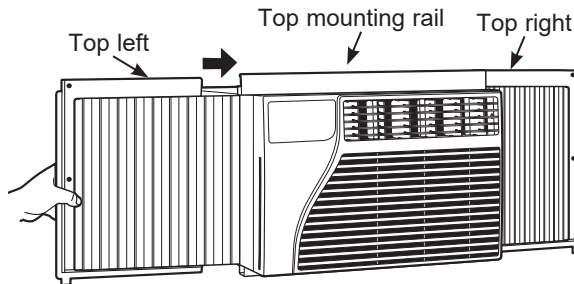


**D.** Deslice el extremo libre del panel con forma de acordeón sobre los rieles del panel lateral. Deslice el panel hacia abajo. Asegúrese de dejar espacio suficiente para deslizar la parte superior e inferior de la estructura sobre los rieles en el gabinete.

**NOTA:** Hay un panel con forma de acordeón derecho y otro izquierdo. Asegúrese de usar el panel apropiado para cada lado.

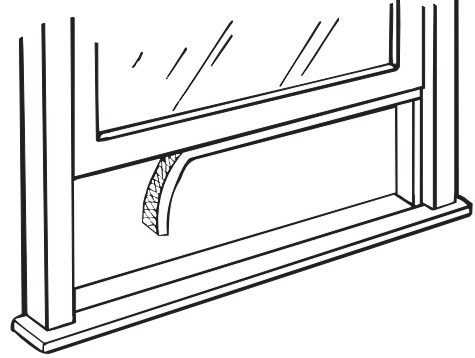


**E.** Deslice los paneles con forma de acordeón derecho e izquierdo sobre los rieles de montaje superior e inferior.



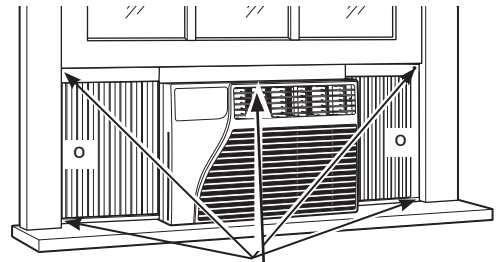
## 5. PREPARE LA VENTANA

Corte el sello de la banda de la ventana a la longitud apropiada. Despegue la parte posterior y pegue el sello a la parte inferior de la banda de la ventana.



## 6. INSTALE EL ACONDICIONADOR DE AIRE EN LA VENTANA

**A.** Coloque el acondicionador de aire en el umbral con el riel de montaje inferior contra su extremo posterior. Céntrelo y cierre la ventana firmemente detrás del riel de montaje superior. Debe estar nivelado o ligeramente inclinado hacia el exterior. Use un nivel; una inclinación de 1/3 de burbuja será la correcta hacia el exterior.

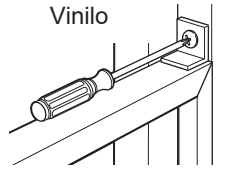


Tornillos tipo B

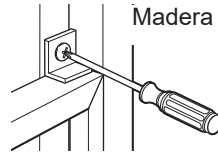
**B.** Extienda los paneles de acordeón izquierdo y derecho hacia las bandas de la ventana vertical y pegue, a través de los huecos de los paneles, con 5 tornillos tipo B según corresponda.

## 7. INSTALE UN SOPORTE DE CIERRE Y LA JUNTA DE ESPUMA SUPERIOR DE LA VENTANA

- A. **⚠ PRECAUCIÓN**** En ventanas construidas de vinilo o de similar construcción, conecte el soporte de cierre de la ventana a el marco de la ventana con uno tornillo tipo B para prevenir daño a la ventana y vidrio quebrado.



- B.** Corte la junta de espuma superior de la ventana al ancho de la ventana.



- C.** Rellene la espuma entre el vidrio y la ventana para evitar que aire e insectos se introduzcan en la habitación.



**NOTA:** Si la junta provista no es adecuada para su ventana, obtenga el material apropiado localmente para realizar una adecuada instalación de sellado.

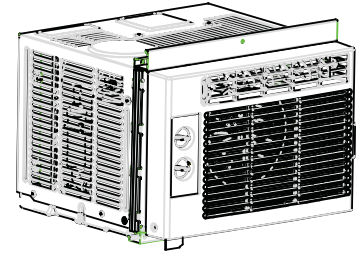
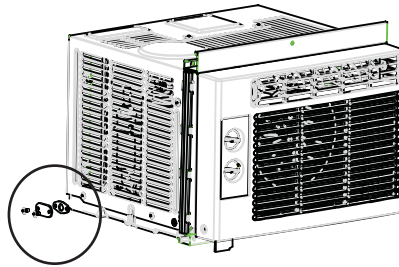
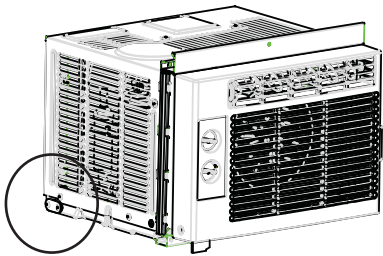
## Solucionar problemas

Problema	Causas posibles	Qué hacer
El acondicionador de aire no enciende	El acondicionador de aire está desconectado.	Cerchiórese de que el acondicionador de aire está enchufado totalmente en el tomacorriente.
	El fusible se disparó / el cortacircuitos se disparó.	Inspeccione los fusibles / caja de interruptores de la casa y reemplace cualquier fusible o reajuste el interruptor.
	Interrupción en el suministro eléctrico.	La unidad se reiniciará automáticamente con la configuración utilizada por última vez luego de reestablecer la electricidad.  Existe un retraso de tiempo por protección (de aproximadamente 3 minutos) para evitar la desconexión por sobrecarga del compresor. Por esta razón, es posible que la unidad no comience a enfriar de forma normal hasta transcurridos 3 minutos desde que volvió a encenderse.
	El dispositivo de interrupción de corriente se ha activado.	Presione el botón <b>RESET</b> ubicado en el cable de alimentación.  Si el botón <b>RESET</b> no se mantiene en su lugar, no utilice más el acondicionador de aire y comuníquese con un técnico calificado.
El acondicionador de aire no enfría como debería	El flujo de aire está restringido.	Cerchiórese de que no existe ninguna cortina, persiana o mueble bloqueando el frente del acondicionador de aire.
	El control de temperatura no está ajustado apropiadamente.	En los modelos con teclado: En el modo <b>Cool (Frío)</b> , presione la tecla <b>Reducción -</b> .
		En los modelos con botones, gire la temperatura a un número mayor.
	El filtro de aire está sucio.	Limpie el filtro cada 30 días por lo menos. Ver la sección de <i>Cuidado y limpieza</i> .
	La habitación podría haber estado caliente.	Cuando el acondicionador de aire se enciende, usted necesita darle tiempo para que enfríe la habitación.
	El aire frío se está escapando.	Cerchiórese de que los registros de la calefacción no están abiertos y se encuentran retornando el aire frío.
Las bobinas de enfriamiento se congelaron.	Ver " <b>Acondicionador de aire congelándose</b> " más adelante.	
El acondicionador de aire se está congelando	El hielo bloquea el flujo de aire hacia el acondicionador de aire evitando que se enfríe la habitación.	En modelos con los botones de control, coloque el control de modo en <b>High Fan (Ventilador Alto)</b> ó <b>High Cool (Frío Alto)</b> con la temperatura en <b>1</b> ó <b>2</b> .
		En los modelos con teclas de toque, colo que los controles en <b>High Fan (Ventilador Alto)</b> ó <b>High Cool (Frío Alto)</b> y ajuste el termostato una temperatura más alta.
El control remoto no funciona	Las baterías están insertadas incorrectamente.	Inspeccione la posición de las baterías. Deben estar insertadas en la posición indicada, (+) y (-).
	Las baterías están agotadas.	Reemplace las baterías.
Hay agua goteando afuera	Tiempo húmedo y caliente.	Esto es normal.
Hay agua goteando en el interior de la habitación	El acondicionador de aire no está inclinado hacia afuera.	Para drenar el agua apropiadamente, cerchiórese de que el acondicionador de aire está inclinado ligeramente desde el frente hacia atrás.
Se acumula agua en la bandeja	La humedad removida del aire y se drena hasta la bandeja.	Esto es normal por un corto período en áreas con poca humedad; normal por un período de tiempo más postergado en áreas más húmedas.

# Solucionar problemas

## Sonidos de Funcionamiento Normal

- Es posible que escuche un sonido metálico ocasionado por el agua recogida y arrojada contra el condensador en días lluviosos o cuando el nivel de humedad sea alto. Esta función ayuda a eliminar la humedad y mejorar el nivel de eficiencia.
- Es posible que escuche que el termostato hace clic cuando los ciclos del compresor se activan y desactivan.
- Se acumulará agua en la bandeja de la base cuando el nivel de humedad sea alto o en días lluviosos. Es posible que el agua se desborde y gotee desde el lado externo de la unidad.
- Es posible que el ventilador continúe funcionando incluso cuando el compresor no esté en funcionamiento.
- Es posible que las gotitas de agua arrojadas contra las bobinas externas produzcan un ruido metálico. Esto ayuda a enfriar el condensador. Es posible reducir este ruido retirando el sellado del agujero del agua que se encuentra al costado de la base, retirando 2 tornillos y luego el sellado del agujero. Retirar este sellado reducirá la Eficiencia Energética de la unidad. NOTA: No haga un agujero en la bandeja.





# Garantía

<b>Por el período de:</b>	<b>GE Appliances reemplazarán:</b>
<b>Un año</b> <i>A partir de la fecha de la compra original</i>	<b>Unidad de reemplazo</b> para cualquier producto que falle debido a defectos en los materiales o en el proceso de fabricación. La unidad de reemplazo está garantizada para el resto del período de un año de garantía original del producto. La unidad de reemplazo puede ser una nueva o una reparada.

**Si desea realizar una queja durante los primeros 90 días de la garantía desde la fecha original de compra:**

- **Empaque su unidad apropiadamente.** Recomendamos usar el cartón original y los materiales de empaquetado.
- **Incluya en el paquete una copia del recibo de venta u otra evidencia de la fecha original de la compra.** Además imprima su nombre y dirección y una descripción del defecto.
- **Regrese el producto al local de ventas donde usted lo compró.**

**Si desea hacer una queja durante el año de garantía restante:**

- **Ubique a su receptor original de ventas y haga una nota indicando su modelo y número de serie.**
- **Deberá entregar el producto (con los gastos de correo previamente cubiertos por GE) al centro de recuperación de GE para que se pueda entregar una unidad de reemplazo.** Incluya una descripción del defecto.
- **Llame a GE al 1.866.907.1655 a fin de iniciar el proceso de reemplazo del producto.**
- **Deberá recibir el producto de reemplazo entre los 7 y 10 días hábiles luego de que hayamos recibido su unidad.**
- **Se le pedirá que dé su nombre, domicilio, fecha de adquisición, modelo y número de serie.**
- **GE hará arreglos para que se envíe una caja a su hogar a fin de que pueda recuperar el producto.**

**Lo que no está cubierto:**

- **Instrucciones al cliente.** El Manual del propietario proporciona información acerca de las instrucciones de operación y de los controles del usuario.
- **Reemplazo de fusibles de la casa o reajuste del sistema de circuitos.**
- **Instalación inapropiada.** Si usted tiene un problema durante la instalación, o si su acondicionador de aire no tiene la capacidad de enfriamiento que usted necesita, póngase en contacto con nuestro distribuidor o instalador. Usted es responsable de proporcionar las facilidades de conexión eléctrica necesarias.
- **Fallo debido a la corrosión en modelos que no están protegidos contra la corrosión.**
- **Fallo del producto resultante de modificaciones al producto o debido a uso irrazonable incluyendo no proporcionar mantenimiento razonable y necesario.**
- **Daño al producto causado por voltaje inapropiado hacia el equipo, accidentes, incendios, inundaciones o actos de la naturaleza de fuerza mayor.**
- **Daños incidentales o consecuenciales causados por defectos posibles con este acondicionador de aire.**
- **Causar daños después de la entrega.**

**EXCLUSIÓN DE GARANTÍAS IMPLÍCITAS—Su único y exclusivo derecho es el reemplazo del producto, tal y como se indica en esta Garantía limitada. Cualquier garantía implícita, incluyendo las garantías implícitas de comerciabilidad o adecuación para un fin determinado, están limitadas a un año o el período de tiempo más breve permitido por la ley.**

Esta garantía se extiende al comprador original y cualquier comprador posterior de productos comprados para uso residencial dentro de Estados Unidos.

Algunos estados no permiten la exclusión o las limitaciones de daños incidentales o consecuenciales. Esta garantía da derechos legales específicos, y usted podría tener otros derechos que variarán de estado a estado. Para saber cuáles son sus derechos legales, consulte a la oficina de asuntos del consumidor local o la oficina del Attorney General en su localidad.

**Exclusión de garantías implicadas:** Excepto donde está prohibido o restringido por la ley, no hay garantías, expresas, orales o estatutarias que extiendan más allá de la descripción específica, incluyendo específicamente las garantías implicadas de comerciabilidad o propiedad para un propósito particular.

**Garante: GE Appliances**

Abroche su recibo aquí. Para acceder al servicio técnico de acuerdo con la garantía deberá contar con la prueba de la fecha original de compra.

# Soporte para el Consumidor

---

## Sitio Web de GE Appliances

¿Desea realizar una consulta o necesita ayuda con su electrodoméstico? ¡Intente a través del Sitio Web de GE Appliances las 24 horas del día, cualquier día del año! Usted también puede comprar más electrodomésticos maravillosos de GE Appliances y aprovechar todos nuestros servicios de soporte a través de Internet, diseñados para su conveniencia.

En EE.UU.: [GEAppliances.com](http://GEAppliances.com)

---

## Registre su Electrodoméstico

¡Registre su electrodoméstico nuevo a través de Internet, según su conveniencia! Un registro puntual de su producto permitirá una mejor comunicación y un servicio más puntual de acuerdo con los términos de su garantía, en caso de surgir la necesidad. También puede enviar una carta en la tarjeta de inscripción preimpresa que se incluye con el material embalado.

En EE.UU.: [GEAppliances.com/register](http://GEAppliances.com/register)

---

## Piezas y Accesorios

Aquellos individuos calificados para realizar el servicio técnico de sus propios electrodomésticos podrán solicitar el envío de piezas o accesorios directamente a sus hogares (se aceptan las tarjetas VISA, MasterCard y Discover). Ordene hoy a través de Internet durante las 24 horas, todos los días. En EE.UU.: [GEApplianceparts.com](http://GEApplianceparts.com) o de forma telefónica al 877.959.8688 durante el horario de atención comercial.

**Las instrucciones que figuran en este manual cubren los procedimientos que serán realizados por cualquier usuario. Otros servicios técnicos generalmente deben ser derivados a personal calificado del servicio. Se deberá tener cuidado, ya que una reparación indebida podrá hacer que el funcionamiento no sea seguro.**

---

## Contáctenos

Si no se encuentra satisfecho con el servicio que recibió de GE Appliances, comuníquese con nosotros a través de nuestro sitio Web con todos los detalles, incluyendo su número telefónico, o escriba a:

En EE.UU.: General Manager, Customer Relations | GE Appliances, Appliance Park | Louisville, KY 40225  
[GEAppliances.com/ge/service-and-support/contact.htm](http://GEAppliances.com/ge/service-and-support/contact.htm)