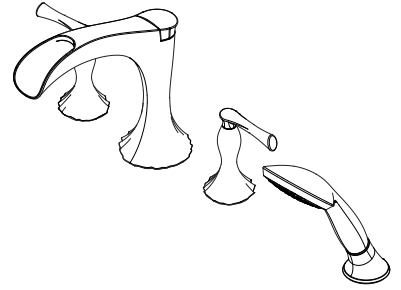


- LG6-4RHC Finish(C)
- LG6-4RHK Finish(Y)
- LG6-4RHB Finish(B)
- LG6-4RHBG Finish(BG)



Specifications

- 4-Hole Installation
- Trim Only, Valve Not Included

Features

- 4-Hole Installation
- 1.8 GPM Flow Rate (Handheld)
- All Metal Construction
- Must Order Valve Separately
- Roman Tub Supply Lines Not Included
- Trough Spout
- Pforever Warranty®

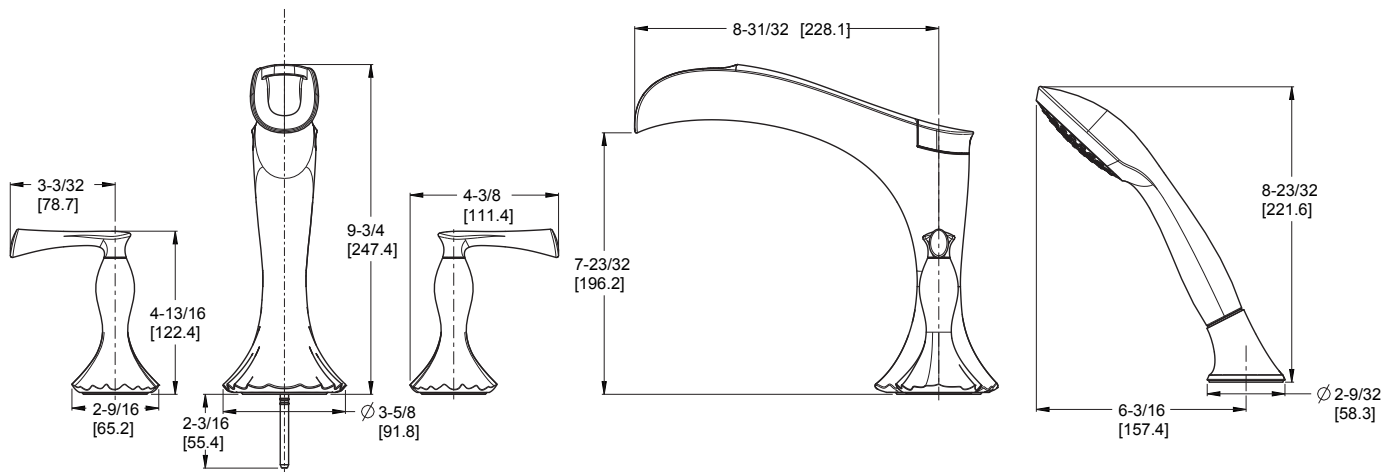
Code Compliance

Pfister products are designed and manufactured in compliance with the following standards and codes:

- IAPMO Certified
- CSA B125 Certified
- ASME A112.18.1
- Cal Green Compliant
- CEC Compliant
- ADA Compliant-ANSI A117.1 (Lever handles only)
- ASME A112.18.3 (Backflow Prevention)
- EPA WaterSense Certification 1.2 gpm, 4.5 L/Min



Dimensions



Ø1 Min to Ø1-1/2 Max. Deck Hole Openings