

Item # 1009 515 536

Model # K40437



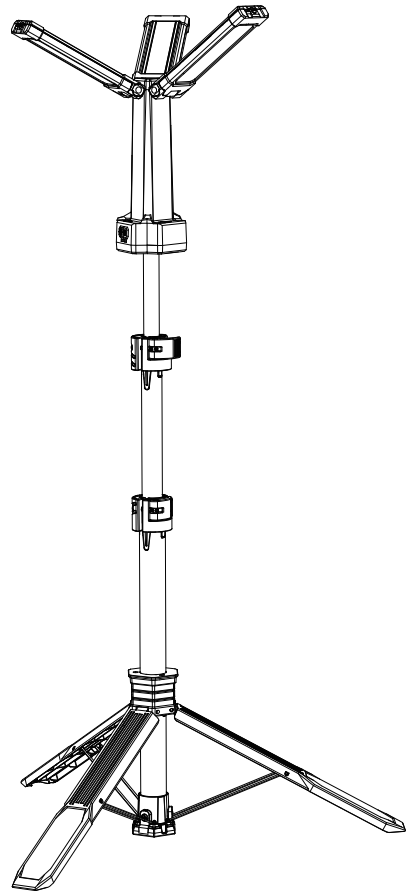
## USE AND CARE GUIDE

### Rechargeable LED Work Light

Questions, problems, missing parts?  
Before returning to the store, call  
Husky Customer Service  
8 a.m. - 7 p.m., EST, Monday - Friday  
9 a.m. - 6 p.m., EST, Saturday

1-888-HD-HUSKY

[HUSKYTOOLS.COM](http://HUSKYTOOLS.COM)



---

#### THANK YOU

*We appreciate the trust and confidence you have placed in Husky through the purchase of this Rechargeable LED Work Light. We strive to continually create quality products designed to enhance your home. Visit us online to see our full line of products available for your home improvement needs. Thank you for choosing Husky!*

# Table of Contents

Table of Contents ..... 2  
Safety Information ..... 2  
Warranty ..... 3  
Pre-Installation ..... 3  
Pre-installation (continued) ..... 4  
Installation ..... 5

Installation (continued) ..... 6  
Operation ..... 7  
Care and Cleaning ..... 7  
Troubleshooting ..... 8

## Safety Information

Read and understand all Safety and Operating instructions in this manual before using this product.

The charging and discharging ambient temperature is 0~+40 °C. Input rating: DC 5V, 2A, Fill time is about 6 hours.



**DANGER: BE EXTREMELY CAREFUL WHEN USING THIS DEVICE.** Improper use of this worklight can result in injury or death.

The instructions pertaining to a risk of fire, electric shock, or injury to persons shall include those items in the following list that are applicable to the product.



**WARNING -** When using flashlights or lanterns, additional precautions should always be followed, including the following:

- To reduce the risk of injury, close supervision is necessary when a product is used near children.
- Do not touch hot parts.
- Only use attachments recommended or sold by the manufacturer.
- Do not place or store product where it can fall or be pulled into a tub or sink.
- Always unplug the USB cable from the power source when not in use.
- DO NOT use this product for other than its intended use.
- DO NOT charge or operate in close proximity of combustible or flammable materials.
- DO NOT charge the battery in gas tight enclosures.
- DO NOT attempt to charge or operate this light if the USB, battery, bulb or any part of the light is damaged or corroded.
- Only use charging devices that are provided with the light or its replacements.
- DO NOT disassemble or tamper with the battery.
- DO NOT dispose of the battery in a fire as this may result in an explosion.
- DO NOT disassemble or tamper with the light.
- To reduce the risk of electrical shock, do not put lamp in water or other liquid.

USER-MAINTENANCEINSTRUCTIONS.

## FCC STATEMENT



**WARNING:** Changes or modifications to this unit not expressly approved by the party responsible for compliance could void the user's authority to operate the equipment.

**NOTICE:** This equipment has been tested and found to comply with the limits for a Class B digital device, pursuant to Part 15 of the FCC Rules. These limits are designed to provide reasonable protection against harmful interference in a residential installation. This equipment generates, uses and can radiate radio frequency energy and, if not installed and used in accordance with the instructions, may cause harmful interference to radio communications. However, there is no guarantee that interference will not occur in a particular installation. If this equipment does cause harmful interference to radio or television reception, which can be determined by turning the equipment off and on, the user is encouraged to try to correct the interference by one or more of the following measures:

- Reorient or relocate the receiving antenna.
- Increase the separation between the equipment and receiver.
- Connect the equipment into an outlet on a circuit different from that to which the receiver is connected.
- Consult the dealer or an experienced radio/TV technician for help.

## FCC responsible party

### RECHARGEABLE LED WORK LIGHT

MODEL # K40437

THE HOME DEPOT

2455 PACES FERRY ROAD

ATLANTA, GA 30339

1-888-HD-HUSKY

HUSKYTOOLS.COM

# Warranty

The manufacturer warrants the products to be free from defects in materials and workmanship for a period of three (3) years from date of purchase. We take pride in the design and construction of each of our products and work to maintain the quality of our materials and craftsmanship to assure your satisfaction.

If any problems appear, the purchaser may return the item, freight prepaid, together with a copy of your original purchase receipt to place of purchase and it will be replaced with the same or comparable model free of charge. This warranty does not cover fixtures that have been altered in any way; it is void if damage or defect has resulted from accident, abuse, misuse or faulty repair.

In no event will the manufacturer be liable for any incidental or consequential damages. No charge will be acceptable for unauthorized repairs, parts or service. Some states do not allow the exclusion or limitation of incidental or consequential damages, so the above exclusion or limitation of incidental or consequential damages may not apply to you. Legal warranty rights will vary from state to state and you may have other rights.

Contact the Customer Service Team at 1-888-HD-HUSKY or visit [www.HUSKYTOOLS.com](http://www.HUSKYTOOLS.com).

# Pre-installation

## SPECIFICATIONS

Product Assembled weight	4.31 lbs
Product Assembled width	24.74 in.
Product Assembled depth	24.74 in.
Product Assembled height	56.25 in.

## HARDWARE INCLUDED



NOTE: Hardware not shown to actual size.

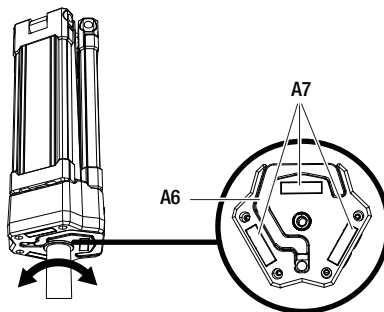


\_\_\_ AA

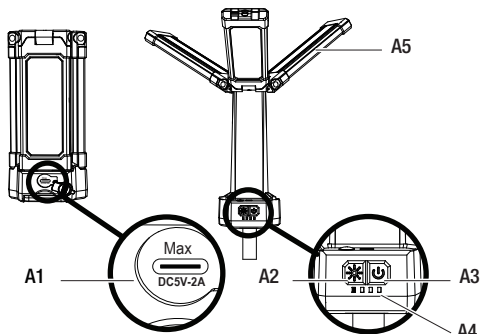


\_\_\_ BB

Part	Description	Quantity
AA	Carry bag	1
BB	USB-C cord	1



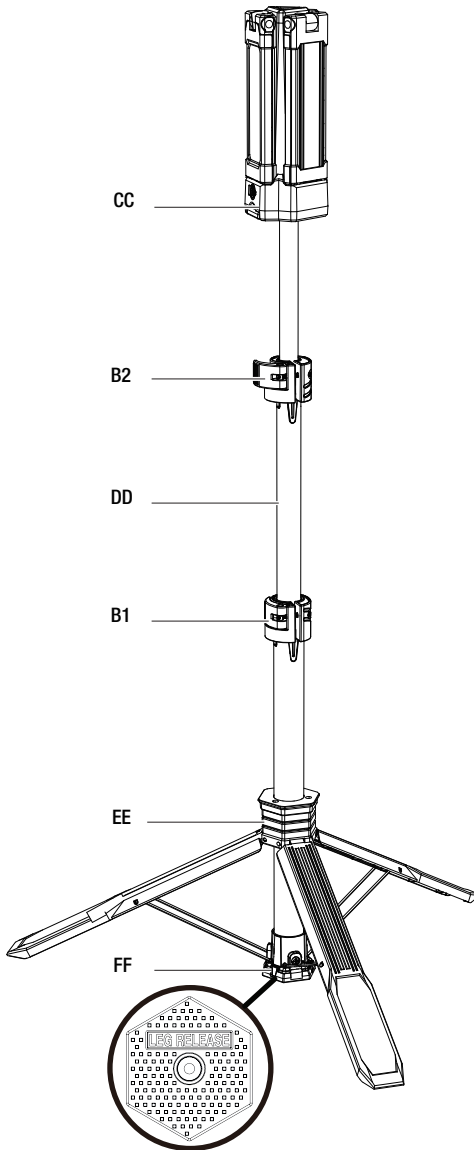
Part	Description	Quantity
A1	Charge port	1
A2	CCT button	1
A3	Power button	1
A4	Battery indicator	1
A5	Light panels	3
A6	Hook	1
A7	Magnetic Base	1



## Pre-installation (continued)

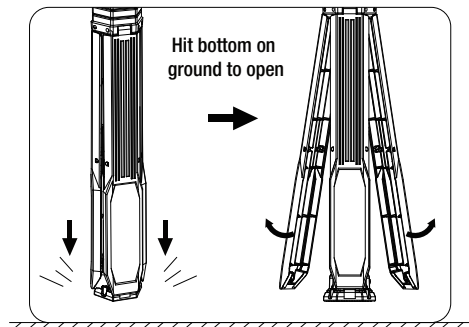
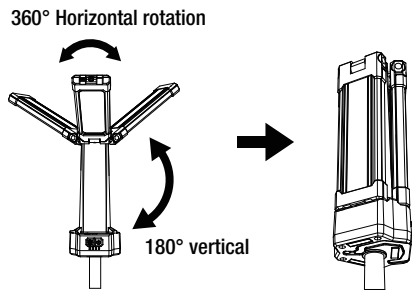
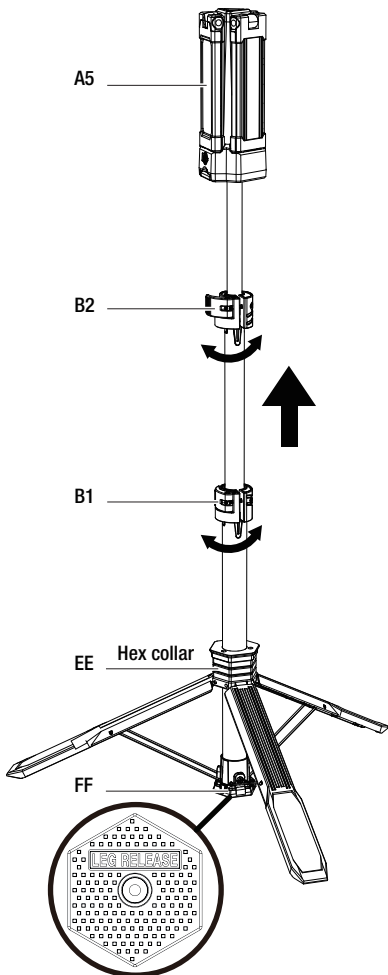
### PACKAGE CONTENTS

Part	Description	Quantity
CC	Light head	1
DD	Tripod	1
B1	Latch	1
B2	Latch	1
EE	Hex collar	1
FF	Leg release button	1



## 1 Preparing the Tripod

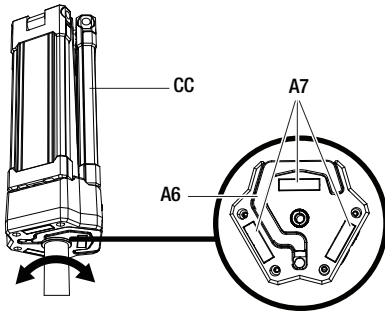
- Hit the leg release button (FF) against the ground to open the tripod legs.
- Open the latch (B1, B2), and adjust the tripod to the desired height. then fix the latch (B1, B2).
- The 3 Light panels(A5) can 360° horizontally rotate.Panels can also be stowed outward.
- The light panels(A5) can be used simultaneously, or the single panel board can be used to extend the use time.
- To close the tripod legs, hold the tripod and pull the hex collar(EE) upward.




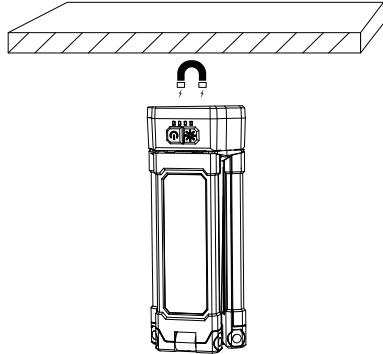
## Installation (continued)

### 2 Lamp holder Assembly

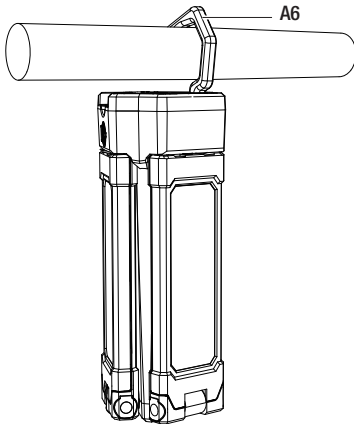
- To remove the light head (CC) rotate counter-clockwise.
- Hook (A6) in base can be used to hang light head.



 **NOTE:** Magnetic Base(A7), can be used to attach to most metal objects.



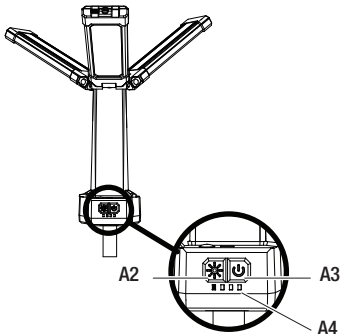
**WARNING:** The hook can only be used for hanging the lamp head, can not be used for other functions.



# Operation

## 1 Adjusting the Light

- Press the power button(A3) to cycle light output : High (2200lm), medium (1200lm)and low (700lm).
- Press the CCT button(A2) to adjust the lighting color (CCT): 3000/4000/5000K.
- After the light has been on for more than one minute, thetime the power button is pressed the light will turn off.
- To power off the light press the power button until the battery indicators are off.

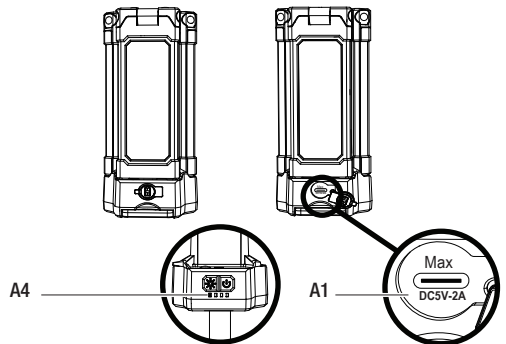


## 2 How to Recharge



**WARNING:** Keep USB charge port covered when not in use.

- When battery indicator(A4) shows one bar, the light should be charged.
- To recharge, remove the silicone USB cover and USB-C cable into the charge port (A1).The charging voltage is 5V-2A, it takes 6 hours to fully charge the light.



# Care and Cleaning



**WARNING:** Always make sure that the worklight is unplugged and cooled down before attempting to clean it.

- Clean the lamp head, lens cover, lamp stand and tripod regularly with a non-abrasive cleaner.
- Allow the worklight to cool down completely before storing.
- Store in a safe place, out of the reach of children.

# Troubleshooting



**WARNING:** To reduce the risk of injury from moving parts and/or electrical shock, turn power switch off and disconnect power plug from electrical outlet before performing troubleshooting checks.

Minor problems often can be fixed without calling customer service.

Problem	Possible Cause	Corrective Action
The light does not work.	<ul style="list-style-type: none"><li><input type="checkbox"/> No electricity.</li><li><input type="checkbox"/> The panels stowed inboard.</li></ul>	<ul style="list-style-type: none"><li><input type="checkbox"/> Ensure the fixture is properly plugged into the power source.</li><li><input type="checkbox"/> Ensure the switch turns on.</li><li><input type="checkbox"/> Ensure the panels are released.</li></ul>
Tripod can't fold or release.	<ul style="list-style-type: none"><li><input type="checkbox"/> Foreign matter on the magnet of the tripod.</li><li><input type="checkbox"/> Adjust the screws of the latches.</li></ul>	<ul style="list-style-type: none"><li><input type="checkbox"/> Clean the foreign matter on the magnet of the tripod.</li><li><input type="checkbox"/> Ensure the latch screws are in the proper position (Aid by screwdriver).</li></ul>



Questions, problems, missing parts? Before returning to the store,  
call Husky Customer Service  
8 a.m. - 7 p.m., EST, Monday-Friday  
9 a.m. - 6 p.m., EST, Saturday

**1-888-HD-HUSKY**  
**HUSKYTOOLS.COM**

Retain this manual for future use.