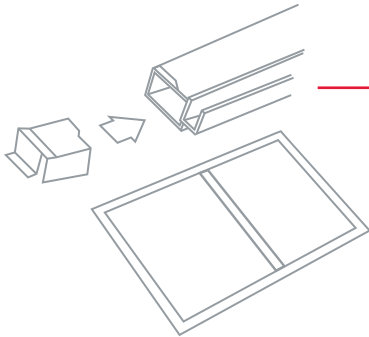




BUILD-A-SCREEN

WINDOW SCREEN HARDWARE

Build-A-Screen hardware can be installed to add functionality based on your specific window type.



WOOD & ALUMINUM WINDOWS

Crossbar Clips

Slide clips into ends of crossbar frame & snap into spline groove in the middle of the screen frame.



ALUMINUM WINDOWS

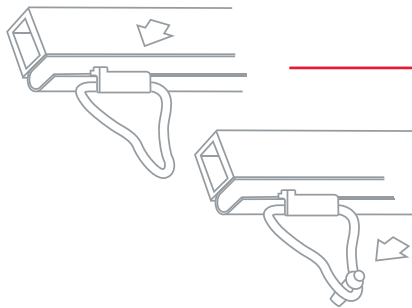
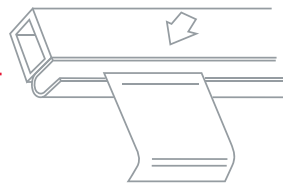
Corner Spring

Insert corner spring into bottom piece of vertical frames.

WOOD & ALUMINUM WINDOWS

Pull Tabs

Insert pull tabs into spline groove on bottom of screen frame.



WOOD WINDOWS

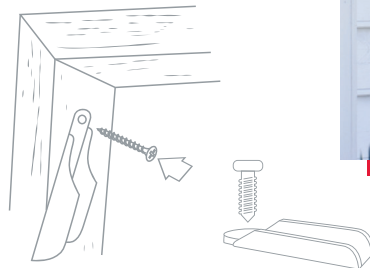
Loop Latch

Insert loop latch into spline groove on bottom of screen frame. After complete assembly, insert screw into inside of window sill.

WOOD WINDOWS

Screen Frame Fasteners

Attach Screen frame fasteners to outside frame of window. Nail 1/4" to 1/2" from top of window on each side.



Access Videos & Resources at ScreenTight.com