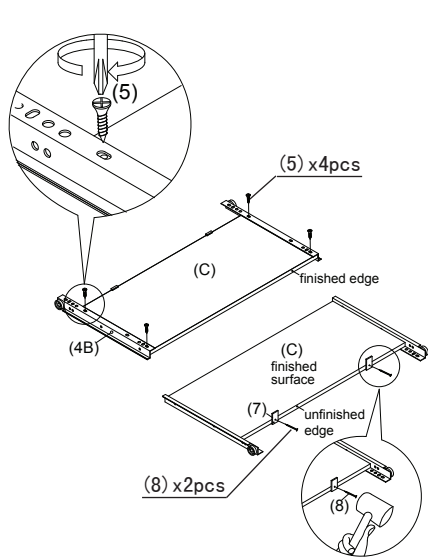


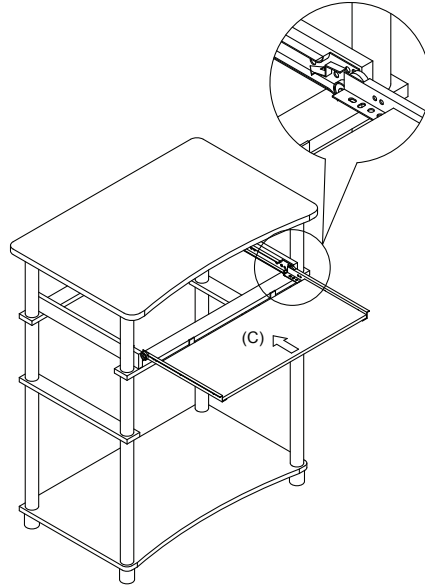
## STEP 7

- 7.1 Attach Drawer Slider (4B) to Keyboard Panel (C) using Screw (5), as shown.
- 7.2 Attach Keyboard Stopper (7) to Keyboard Panel (C) using Power Pin (8), as shown.

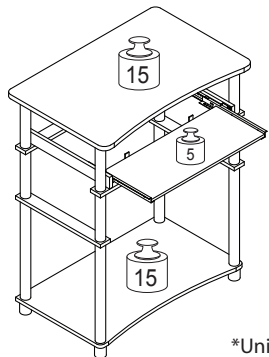


## STEP 8

Slide Keyboard Panel (C) to the assembled unit, as shown:



## Recommended Maximum Weight



\*Unit in Pound(lbs)

### **WARNING:**

>This unit has been designed to support the maximum loads shown. Exceeding these load limits could cause sagging, instability, product collapse, and/or serious injury.

>DO NOT allow children to climb on unit.

>Put heavier items on lower shelves.



## **Assembly Instruction**

Furinno Home Laptop Notebook  
Computer Desk

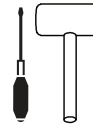
MODEL : 10016

00:30

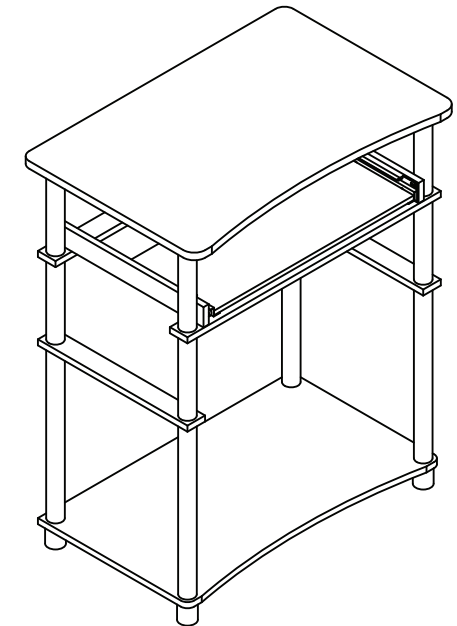
Approx. 30 minutes



Recomm. 1 Person



Tools Required




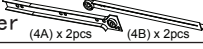

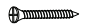




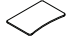





## **Customer Support**

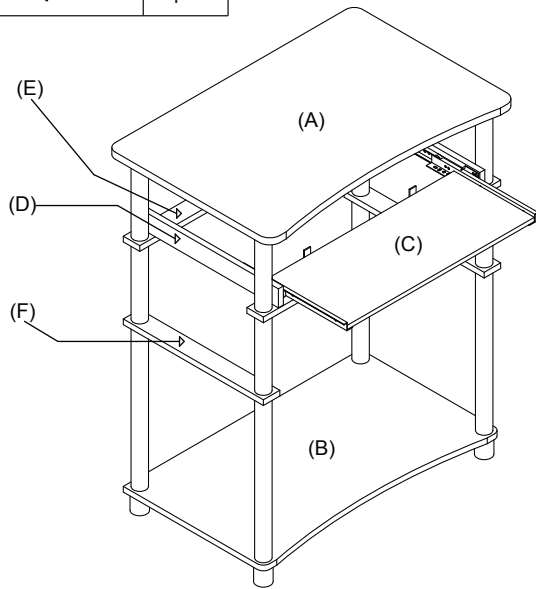
**NEED HELP?** For replacement requests or product inquiries, please contact our Customer Service Team by emailing us at [support@furinno.com](mailto:support@furinno.com). Thank you for selecting Furinno!

[www.furinno.com](http://www.furinno.com)



No	Hardware List	Qty
1	Long Tube 	4pcs
2	Short Tube 	8pcs
3	Short Leg 	4pcs
4	Drawer Slider 	2sets
5	Short Screw 	8pcs
6	Long Screw 	4pcs
7	Keyboard Stopper 	2pcs
8	Power Pin 	2pcs

No	Parts List	Qty
A	Top Panel 	1pcs
B	Bottom Panel 	1pcs
C	Keyboard Panel 	1pcs
D	L/R Slider Panel 	2pcs
E	F/B Apron 	2pcs
F	L/R Cross Bar 	2pcs

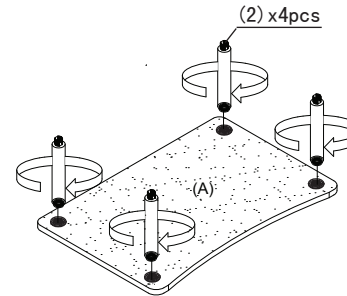


#### USEFUL HINTS BEFORE YOU START:

1. Read each step carefully before starting.
2. It is important that each step is performed in correct order to avoid difficulties.
3. Identify, sort and count the parts before assembly.
4. Assemble your furniture on packaging cardboard to prevent scratch or damage.
5. Clean the product with mild cleanser using soft damped cloth. Do not use harsh or abrasive cleanser.
6. Using incompatible hardware might cause damage to product.

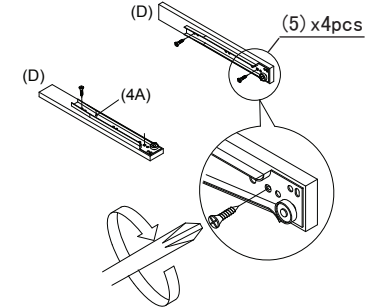
#### STEP 1

Attach Short Pole(2) to insert cap and tighten it.



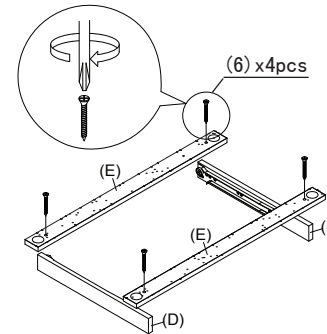
#### STEP 2

Attach Drawer Slider (4A) to L/R Slider Panel (D) using Screw (5), as shown.



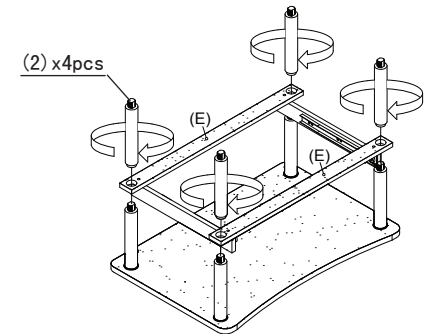
#### STEP 3

Attach F/B Apron Panel (E) to assembled parts from Step 2, using Long Screw (6), as shown.



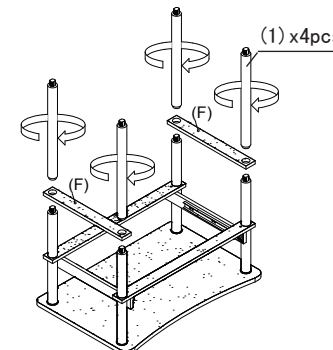
#### STEP 4

Attach Short Tube (2) to assembled parts from Step 1 & Step 3, as shown.



#### STEP 5

Attach L/R Panel (F) to assembled parts from Step 4, using Long Tube (1), as shown.



#### STEP 6

Attach Bottom Panel (B) to assembled parts from Step 5, using Short Leg (3), as shown.

