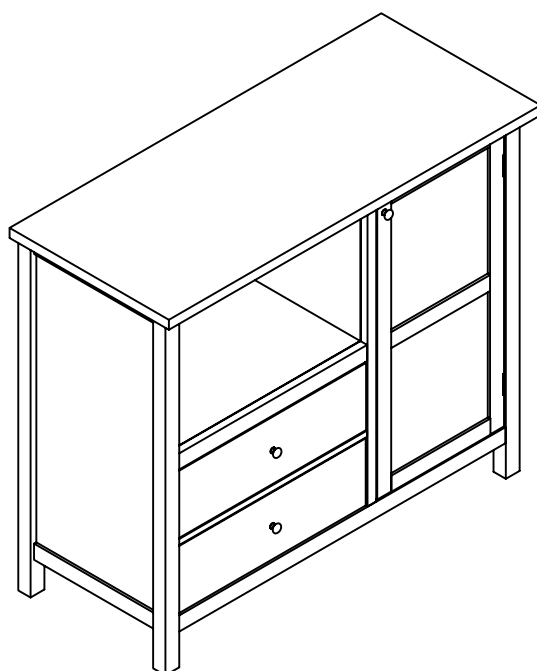


USE AND CARE GUIDE

KITCHEN CABINET



Questions, problems, missing parts?
Before returning to the store, call Customer Service.
8 a.m. – 7 p.m., EST, Monday – Friday, 9 a.m. – 6 p.m., EST, Saturday

1-877-527-0313

HOMEDEPOT.COM

THANK YOU

We appreciate the trust and confidence you have placed in StyleWell through the purchase of this kitchen cabinet. We strive to continually create quality products designed to enhance your home. Visit us online to see our full line of products available for your home improvement needs. Thank you for choosing StyleWell!

Table of Contents

Table of Contents.....	2	Tools Required	4
Safety Information.....	2	Hardware Included.....	4
Warranty.....	3	Pre-assembly (continued)	5
1 Year Warranty	3	Package Contents	5
What is Covered	3	Assembly	6
What is Not Covered	3		
Pre-assembly.....	4		
Planning Assembly.....	4		

Safety Information



DANGER

- Keep small parts away from children during assembly.
- Read and follow instructions carefully.



NOTE: If you are unsure about your wall type or what mounting method you should use, consult a qualified professional.



WARNING

- Read these instructions carefully and keep in a safe place.
- **TO GUARANTEE THE SAFE USE OF THIS PRODUCT, FOLLOW THE WARNINGS, GUIDELINES AND RECOMMENDATIONS IN THIS MANUAL.**
- Adult assembly required.
- Small parts may present choking hazard prior to assembly.
- To further reduce the risk of serious injury and death from tip-overs:
 - Place heaviest items in the lowest compartments or drawers.
 - Never allow children to climb or hang on drawers, doors or shelves.
 - Never open more than one drawer at a time.
 - Use of tip-over restraints may only reduce, but not eliminate, the risk of tip-over.
 - For safe mounting, it is essential to use wall anchors appropriate to your wall type (i.e. plaster, drywall, concrete, etc). Mount to wood studs whenever possible.*



CAUTION

- Do not use power tools to assemble your furniture. Power tools may strip or damage parts/product.
- Do not overtighten connectors (screws, bolts, etc.). Overtightening can lead to product damage.
- Be sure to check all packing materials carefully for small parts that may have come loose inside the carton during shipment. If parts are missing, contact THE HOME DEPOT to obtain any missing parts.
- **DO NOT USE SUBSTITUTE PARTS.**
- This product should only be used on a flat, level surface.
- Product is designed to hold 147 pounds. Exceeding this limit may damage the product or cause injury to the user.

Warranty

1 YEAR WARRANTY

WHAT IS COVERED

We guarantee this product to be free of manufacturing defects to the original purchaser for one year.

WHAT IS NOT COVERED

This warranty does not cover commercial use, acts of nature, and abusive use.

Pre-assembly

PLANNING ASSEMBLY

Keep children and pets away from build area. Make sure your area is large enough to unpack, sort and assemble the unit.

TOOLS REQUIRED



Small head
Phillips
screwdriver

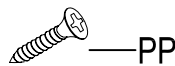
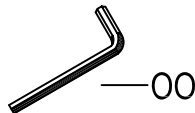
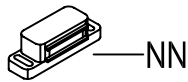
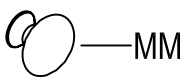
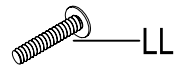
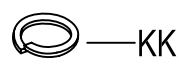
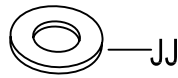
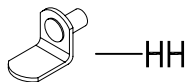
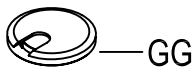
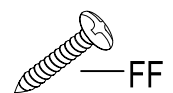
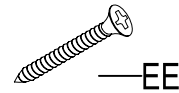
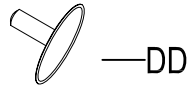
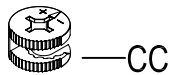
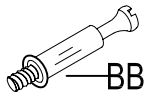
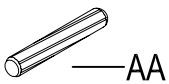


Large head
Phillips
screwdriver

HARDWARE INCLUDED



NOTE: Hardware not shown to actual size.



(1) x 2



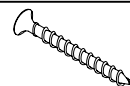
(2) x 1



(3) x 1



(4) x 1



(5) x 1

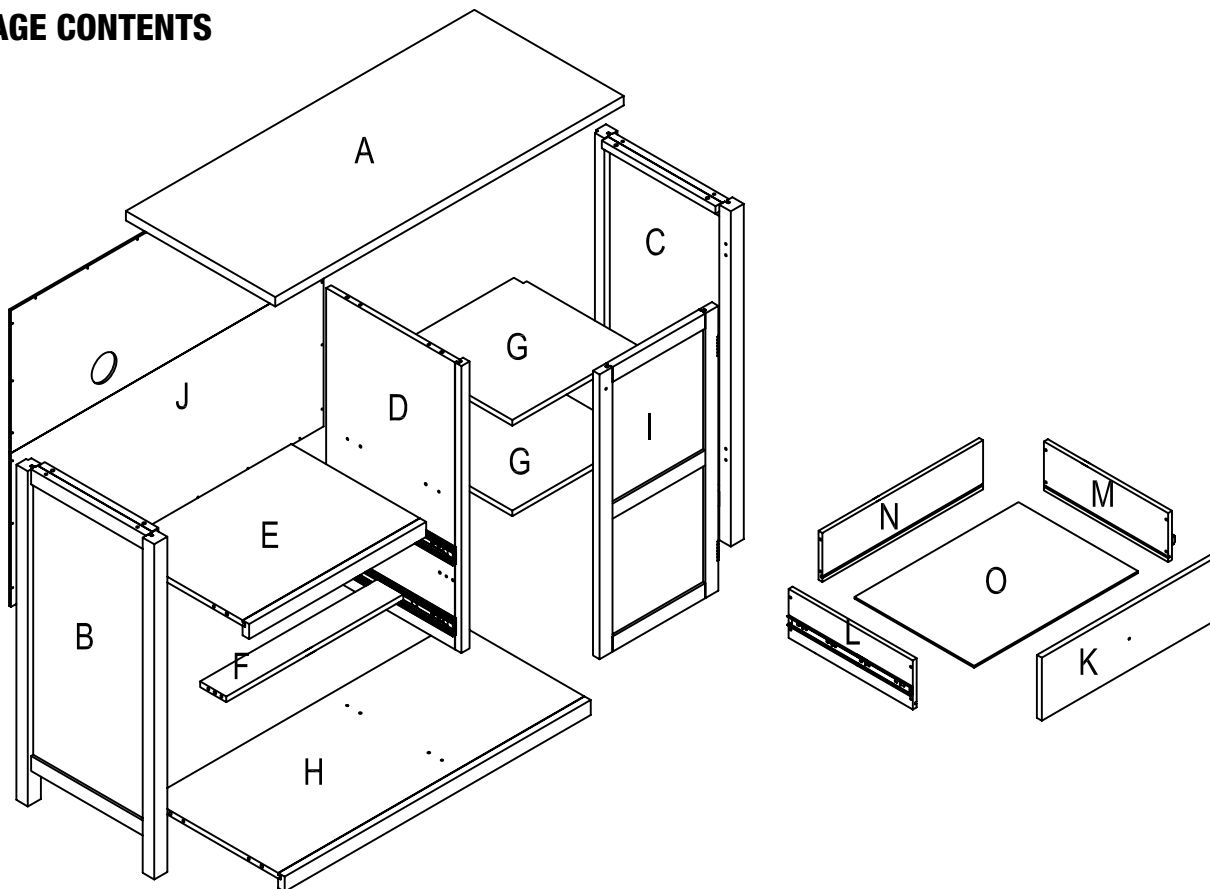
—QQ

Part	Description	Quantity
AA	Wood dowel	20
BB	Cam lock bolt	14
CC	Cam lock	14
DD	Plastic cover	4
EE	1 in. Flat head screw	16
FF	5/8 in. Round head screw	26
GG	Wire plug	1
HH	Shelf support	8
II	Large bolt	4

Part	Description	Quantity
JJ	Flat washer	4
KK	Spring washer	4
LL	Knob bolt	3
MM	Knob	3
NN	Magnet	1
OO	Allen wrench	1
PP	1/2 in. Flat head screw	4
QQ	Anti-tipping hardware package	1

Pre-assembly (continued)

PACKAGE CONTENTS

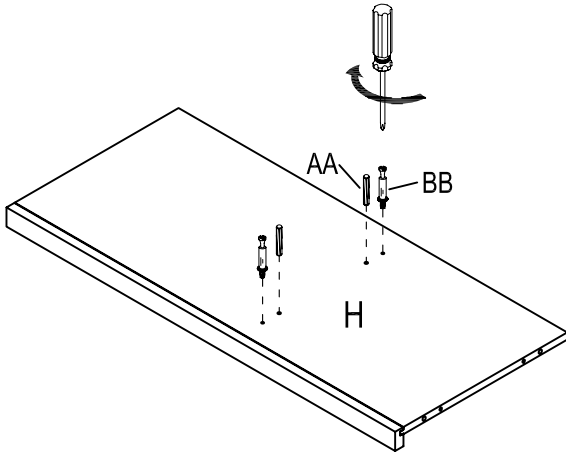


Part	Description	Quantity
A	Top panel	1
B	Left side panel	1
C	Right side panel	1
D	Partition	1
E	Fixed panel	1
F	Crossbar	1
G	Adjustable shelf	2
H	Bottom panel	1
I	Door	1
J	Back panel	1
K	Drawer front panel	2
L	Drawer left side panel	2
M	Drawer right side panel	2
N	Drawer back panel	2
O	Drawer bottom panel	2

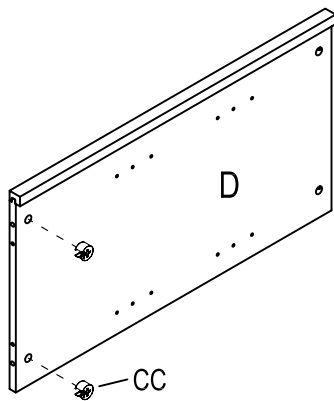
Assembly

1 Attaching the partition to the bottom panel

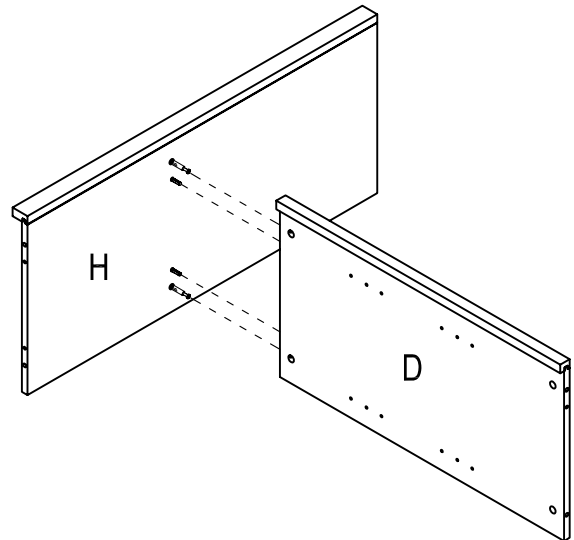
- a) Install dowel (AA) and bolt (BB) into panel (H).



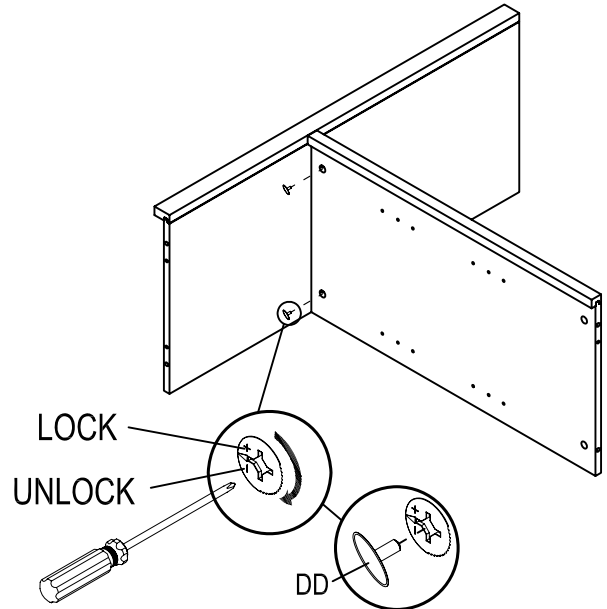
- b) Insert lock (CC) into partition (D).



- c) Join partition (D) to panel (H) with dowel (AA).



- d) Tighten bolt (BB) with lock (CC) in the pre-drilled holes.



- e) Cover the cam holes with the cover (DD).

Wood dowel

Cam lock bolt

Cam lock

Plastic cover

Small head

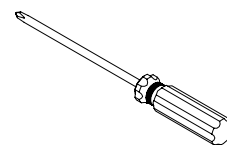
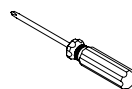
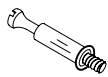
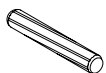
Large head

(AA) x 2

(BB) x 2

(CC) x 2

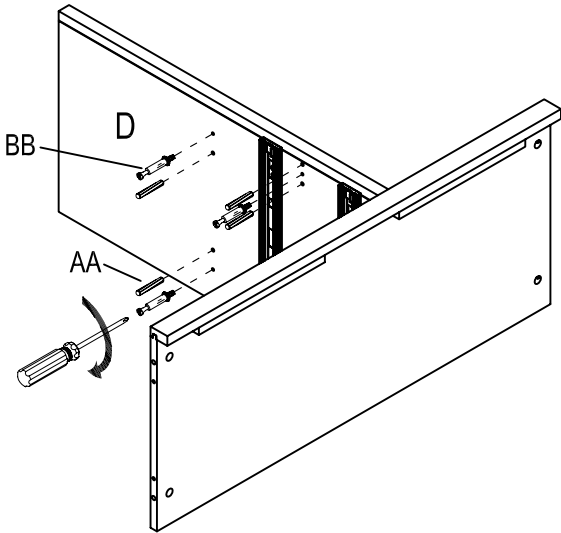
(DD) x 2



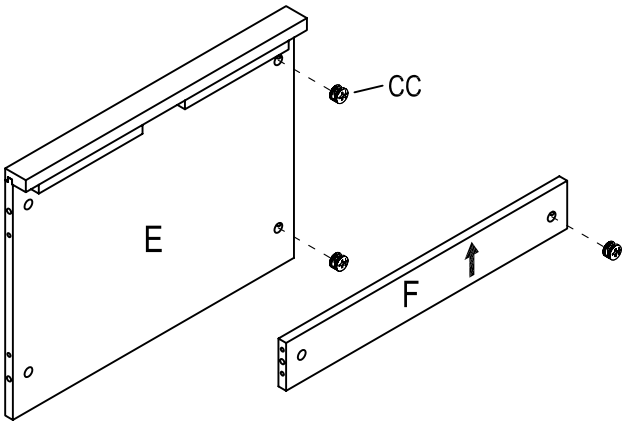
Assembly (continued)

2 Attaching the fixed panel and crossbar

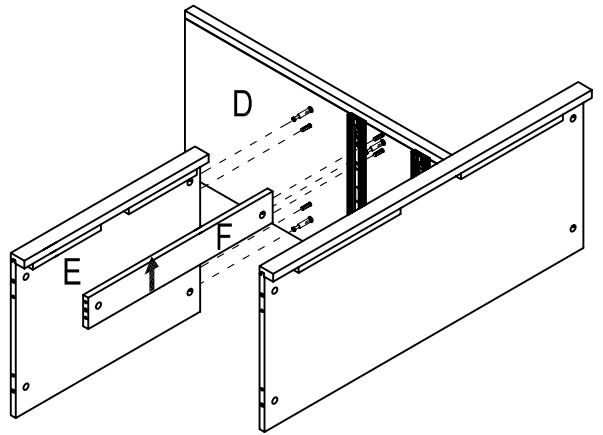
- a) Install dowel (AA) and bolt (BB) into partition (D).



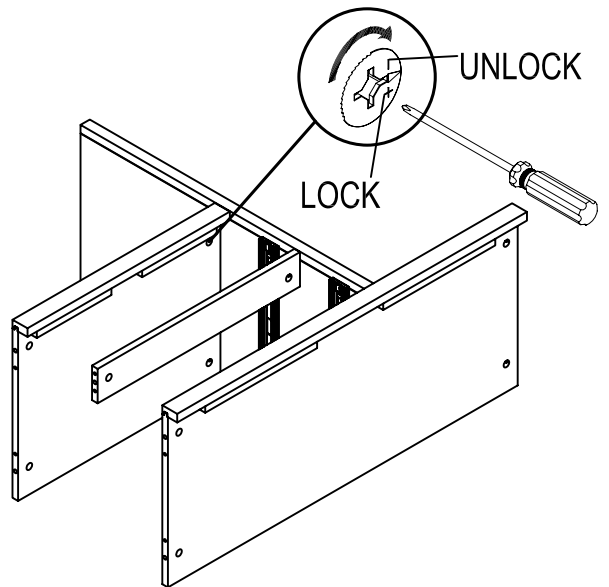
- b) Insert lock (CC) into panel (E) and bar (F).



- c) Join panel (E) and bar (F) to the partition (D) with dowel (AA).



- d) Tighten bolt (BB) with lock (CC) in the pre-drilled holes.



Wood dowel

Cam lock bolt

Cam lock

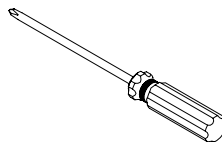
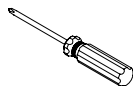
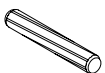
Small head

Large head

(AA) x 4

(BB) x 3

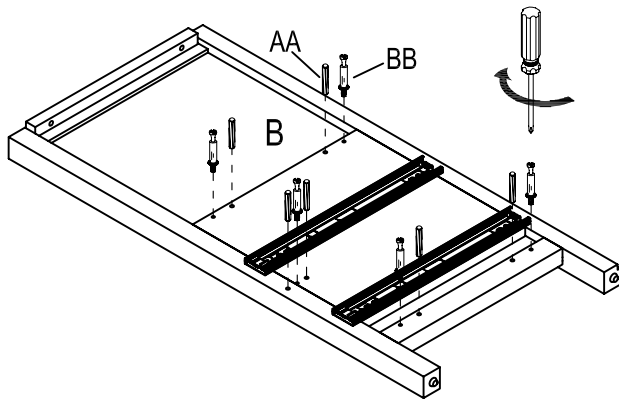
(CC) x 3



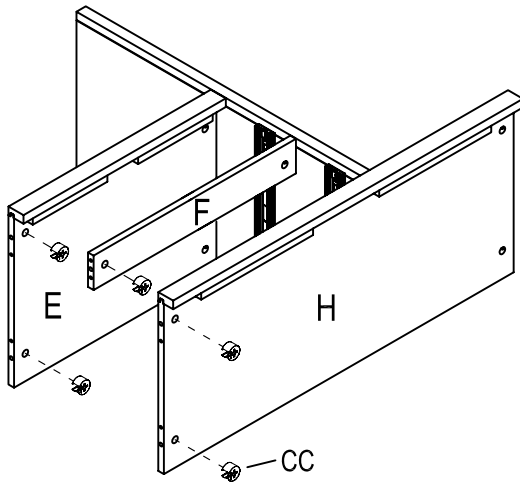
Assembly (continued)

3 Attaching the left side panel

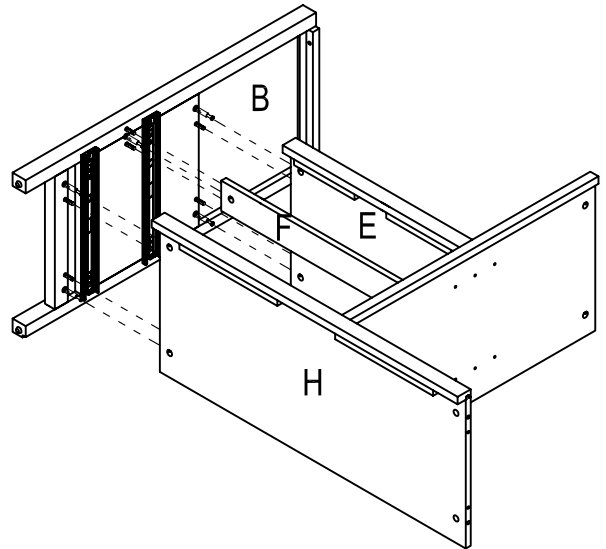
- a) Install dowel (AA) and bolt (BB) into panel (B).



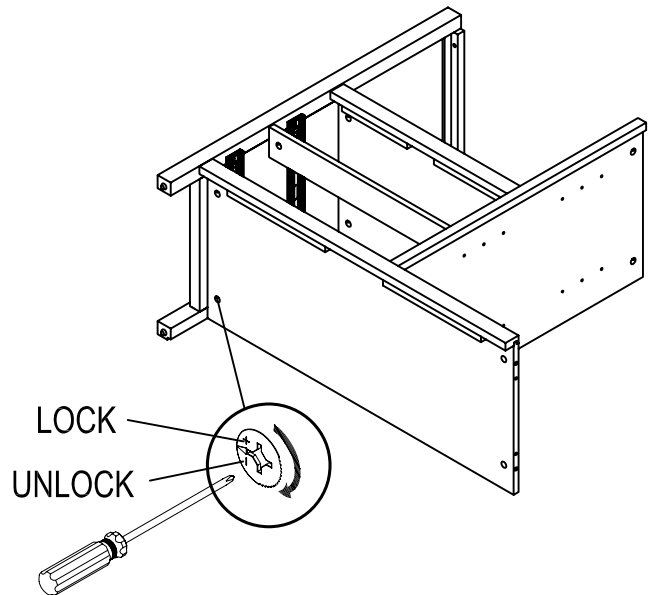
- b) Insert lock (CC) into panels (E) and (H), and bar (F).



- c) Join panel (B) to the assembled body with dowel (AA).



- d) Tighten bolt (BB) with lock (CC) in the pre-drilled holes.



Wood dowel

Cam lock bolt

Cam lock

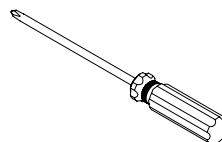
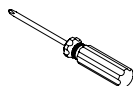
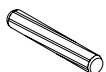
Small head

Large head

(AA) x 6

(BB) x 5

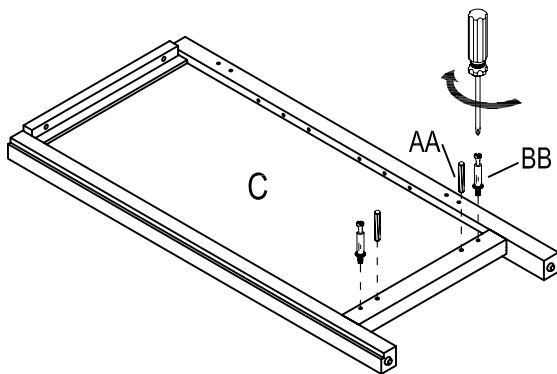
(CC) x 5



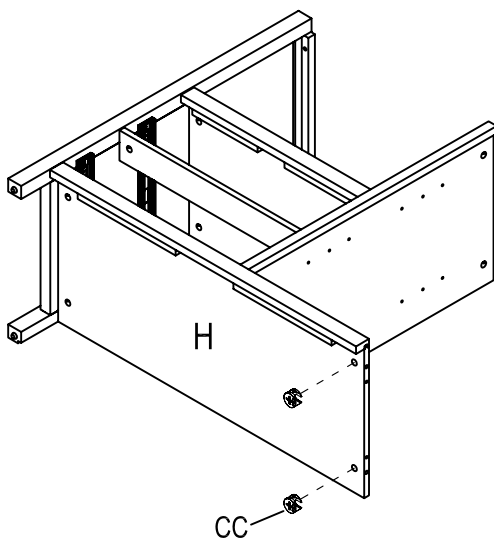
Assembly (continued)

4 Attaching the right side panel

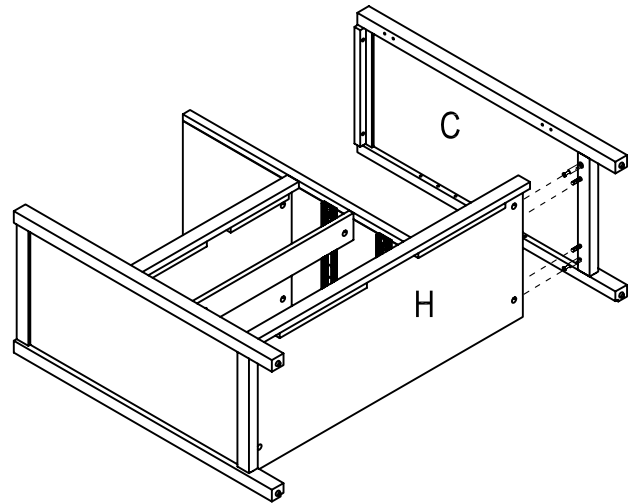
- a) Install dowel (AA) and bolt (BB) into panel (C).



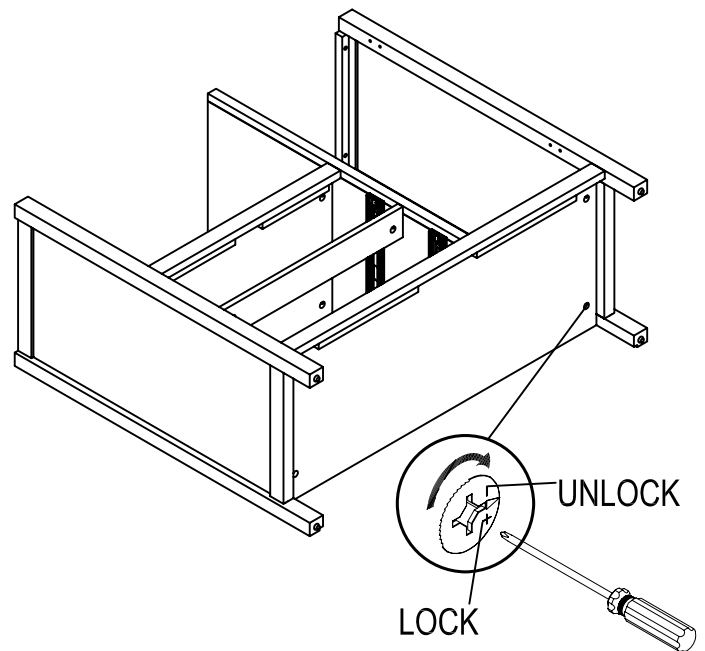
- b) Insert lock (CC) into panel (H).



- c) Join panel (C) to the assembled body with dowel (AA).



- d) Tighten bolt (BB) with lock (CC) in the pre-drilled holes.



Wood dowel

Cam lock bolt

Cam lock

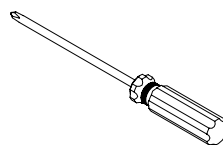
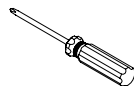
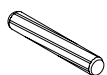
Small head

Large head

(AA) x 2

(BB) x 2

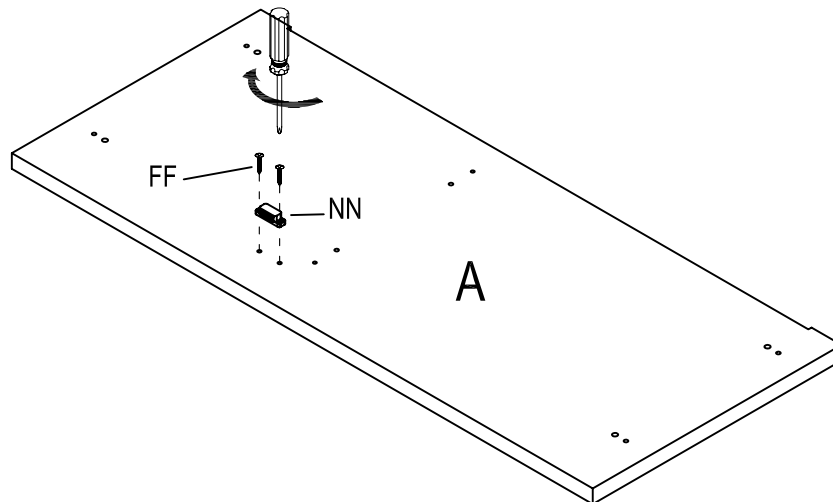
(CC) x 2



Assembly (continued)

5 Attaching the magnet

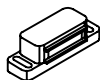
- Attach magnet (NN) to top panel (A) with screw (FF) as shown.



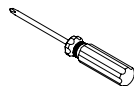
5/8 in. Round head
screw
(FF) x 2



Magnet
(NN) x 1



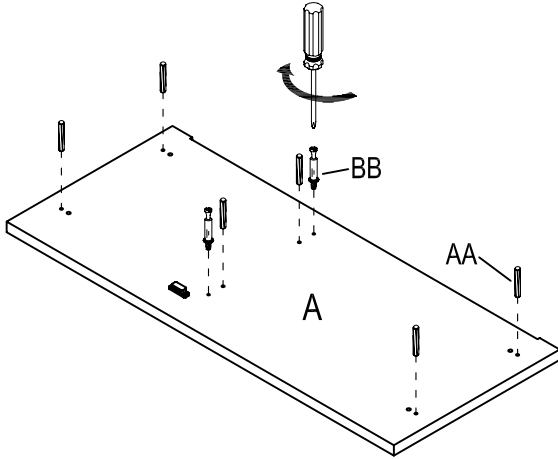
Small head



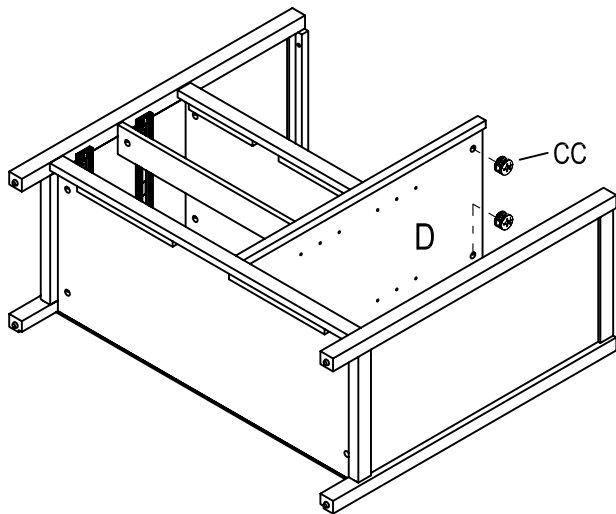
Assembly (continued)

6 Attaching the top panel

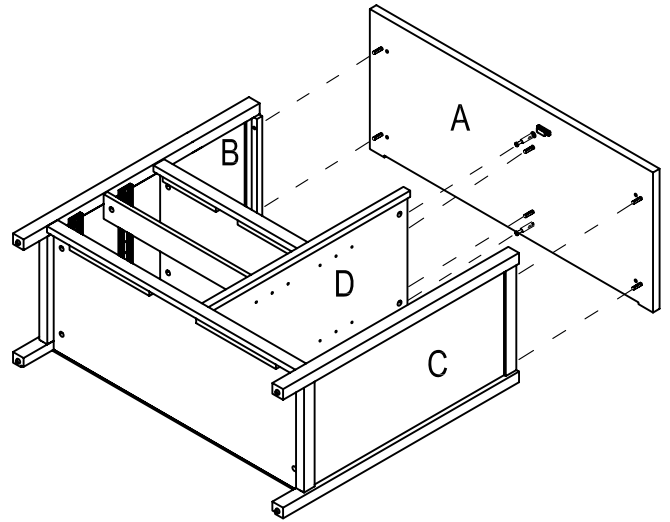
- a) Install dowel (AA) and bolt (BB) into panel (A).



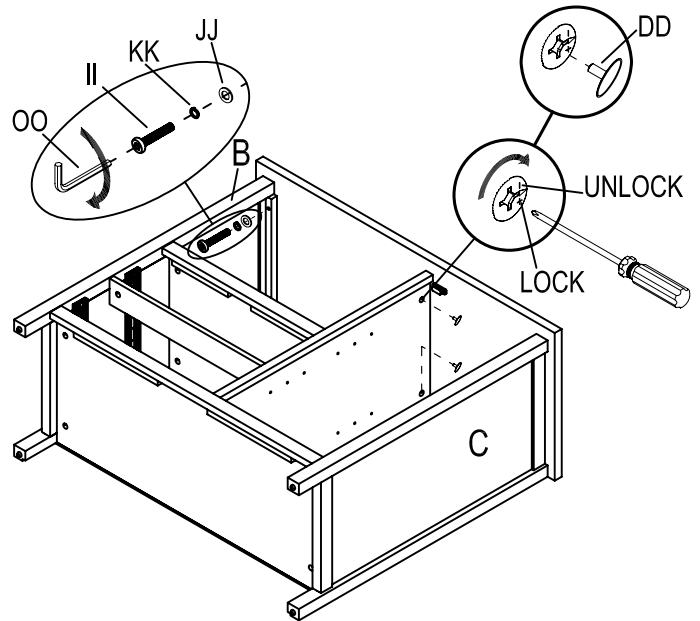
- b) Insert lock (CC) into partition (D).



- c) Join panel (A) to the assembled body with dowel (AA).



- d) Tighten bolt (BB) with lock (CC) in the pre-drilled holes.



- e) Attach panels (B) and (C) with washers (JJ) and (KK), and bolt (II). Turn and tighten bolt (II) with wrench (OO). Cover the cam holes with the cover (DD).

Wood dowel Cam lock bolt Cam lock Plastic cover Bolt Washer Spring washer Allen wrench Small head Large head

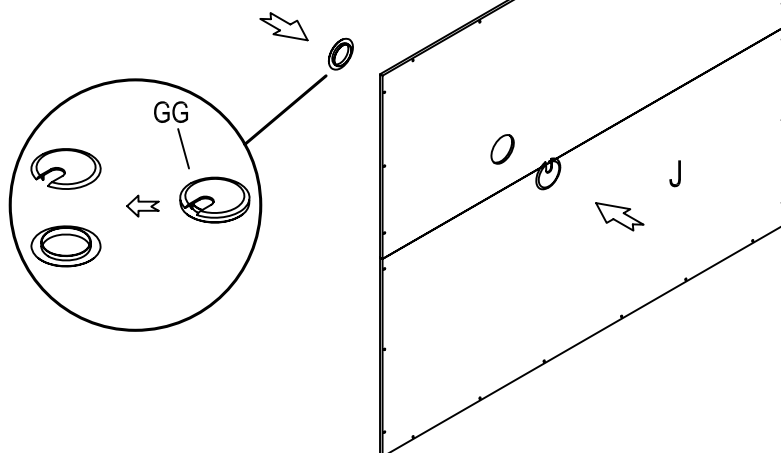
(AA) x 6 (BB) x 2 (CC) x 2 (DD) x 2 (II) x 4 (JJ) x 4 (KK) x 4 (OO) x 1



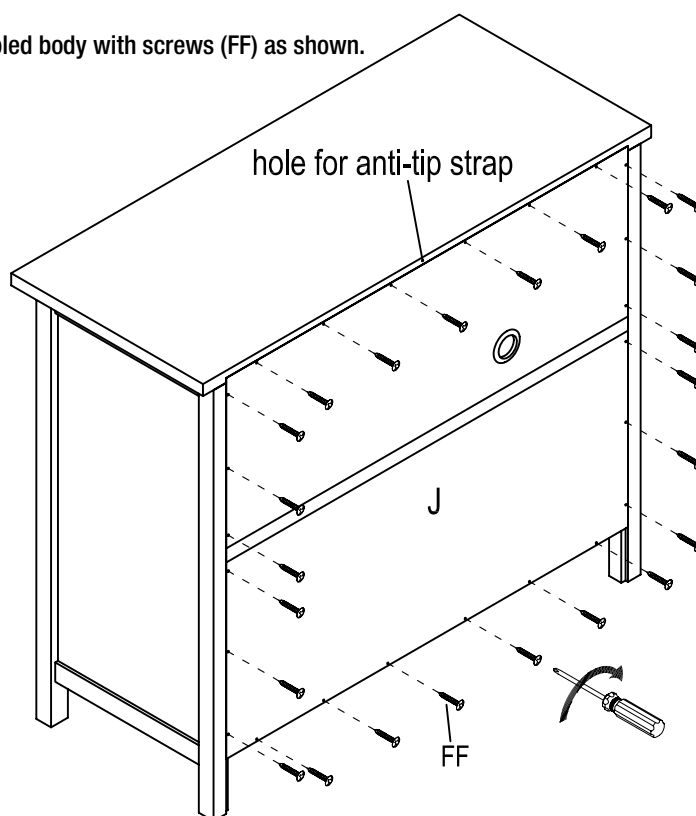
Assembly (continued)

7 Attaching the back panel

- a) Install wire plug (GG) into panel (J) as shown.



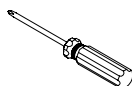
- b) Tighten panel (J) to the assembled body with screws (FF) as shown.



5/8 in. Round head
screw
(FF) x 24

Wire plug
(GG) x 1

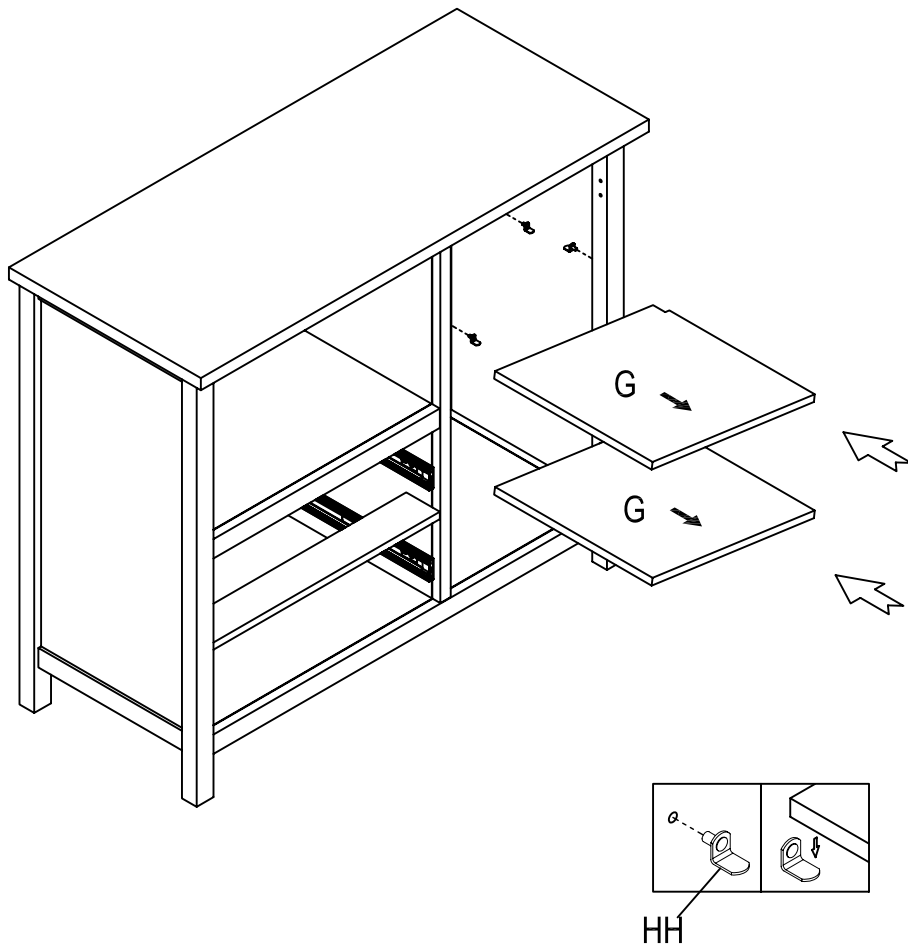
Small head



Assembly (continued)

8 Assembling the adjustable shelf

- Insert shelf supports (HH) in desired positions and place shelf (G) on the supports.



Shelf support

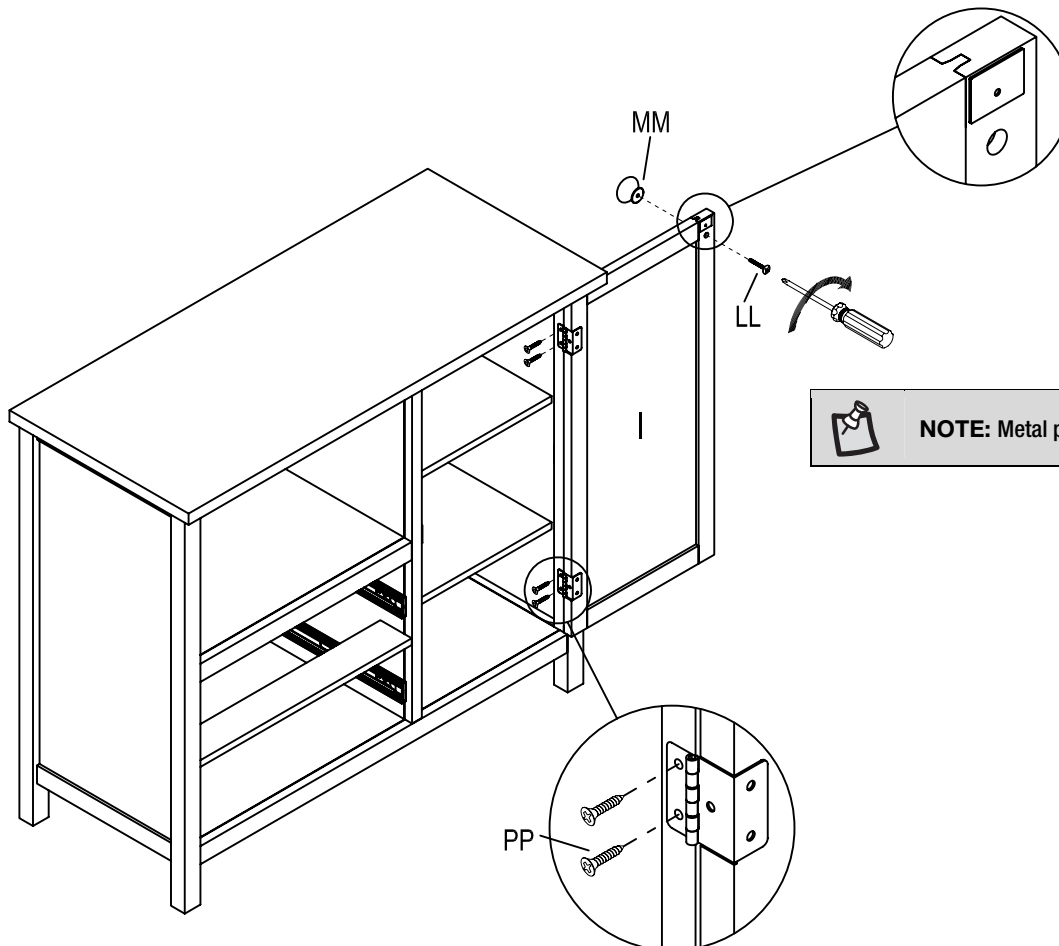
(HH) x 8



Assembly (continued)

9 Attaching the door

- a) Attach door (I) to the assembled body with screw (PP) as shown.



 **NOTE:** Metal plate needs to be to the top.

- b) Tighten knob (MM) to door (I) with knob bolt (LL).

 **NOTE:** A helper who can hold the door in position makes the door installation easier.

Knob bolt

Knob

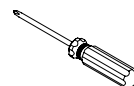
1/2 in. Flat head screw

Small head

(LL) x 1

(MM) x 1

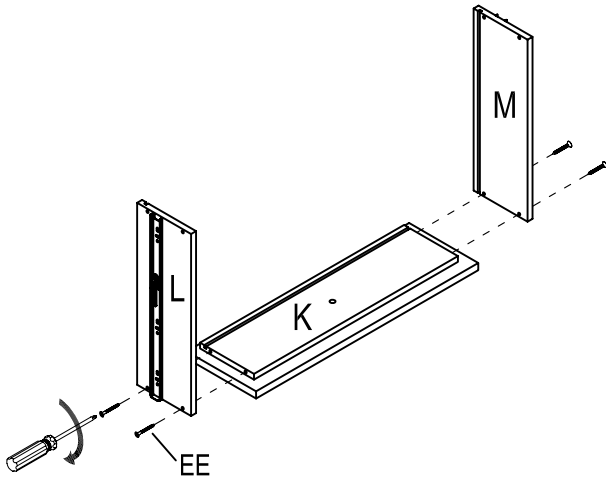
(PP) x 4



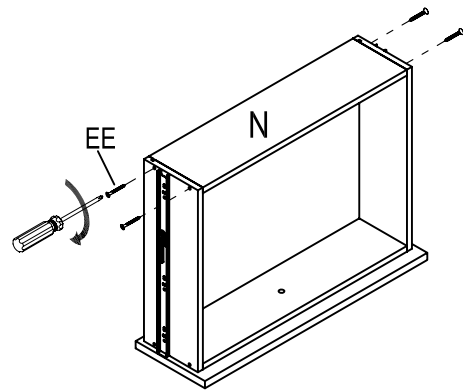
Assembly (continued)

10 Assembling the drawer

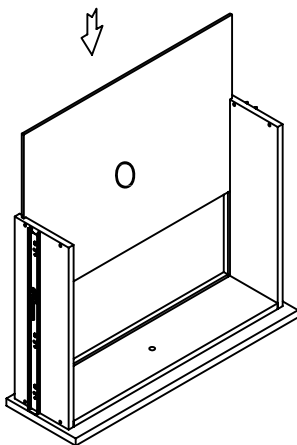
- a) Tighten panels (M) and (L) to panel (K) with screw (EE).



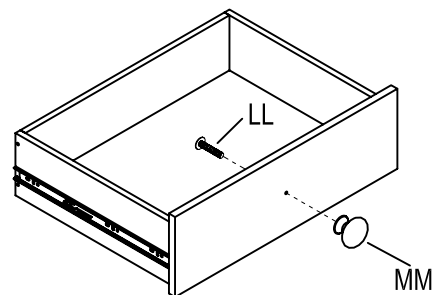
- c) Tighten panel (N) to assembled body with screw (EE).



- b) Slide panel (O) into the grooves on panels (M) and (L).



- d) Tighten knob (MM) to panel (K) with knob bolt (LL).



1 in. Flat head screw

(EE) x 16



Knob bolt

(LL) x 2

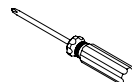


Knob

(MM) x 2



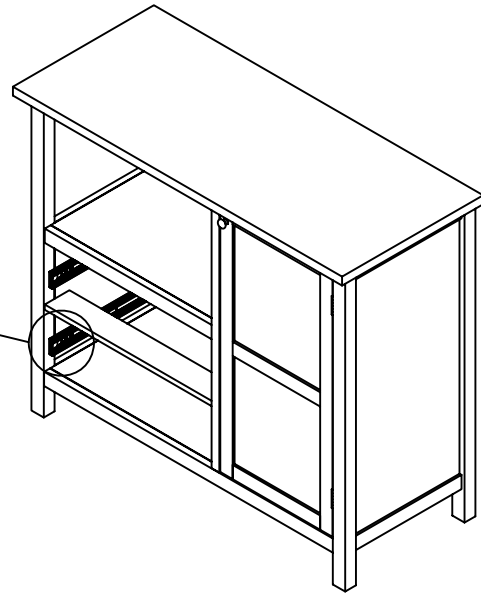
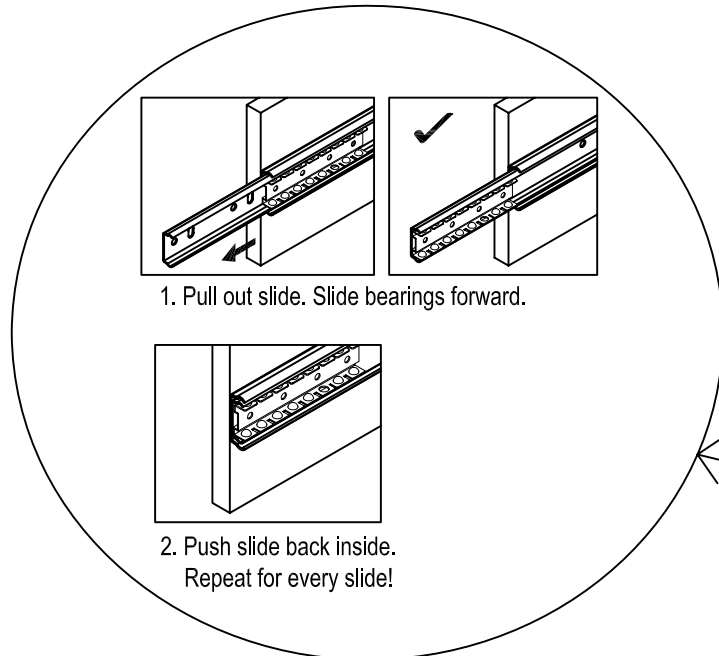
Small head



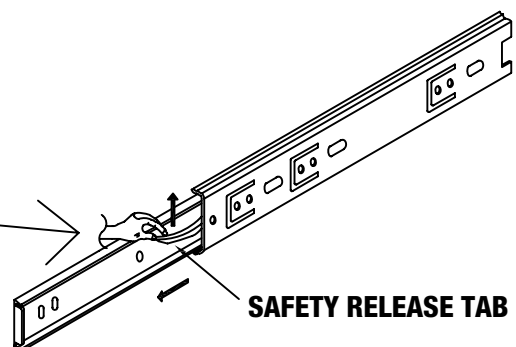
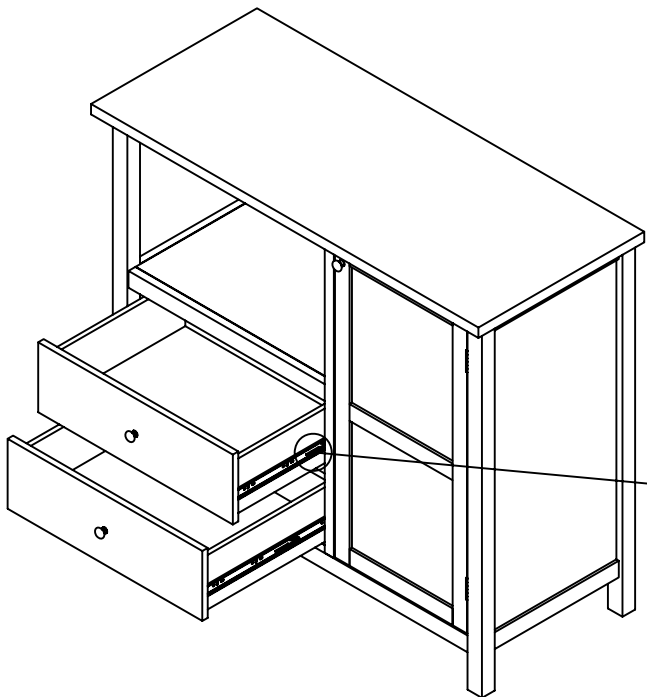
Assembly (continued)

11 Inserting the drawer

- Insert the drawer into the assembled body as shown.



NOTE: Make sure the slide piece is at the front end of the glide when installing the drawer into the body.

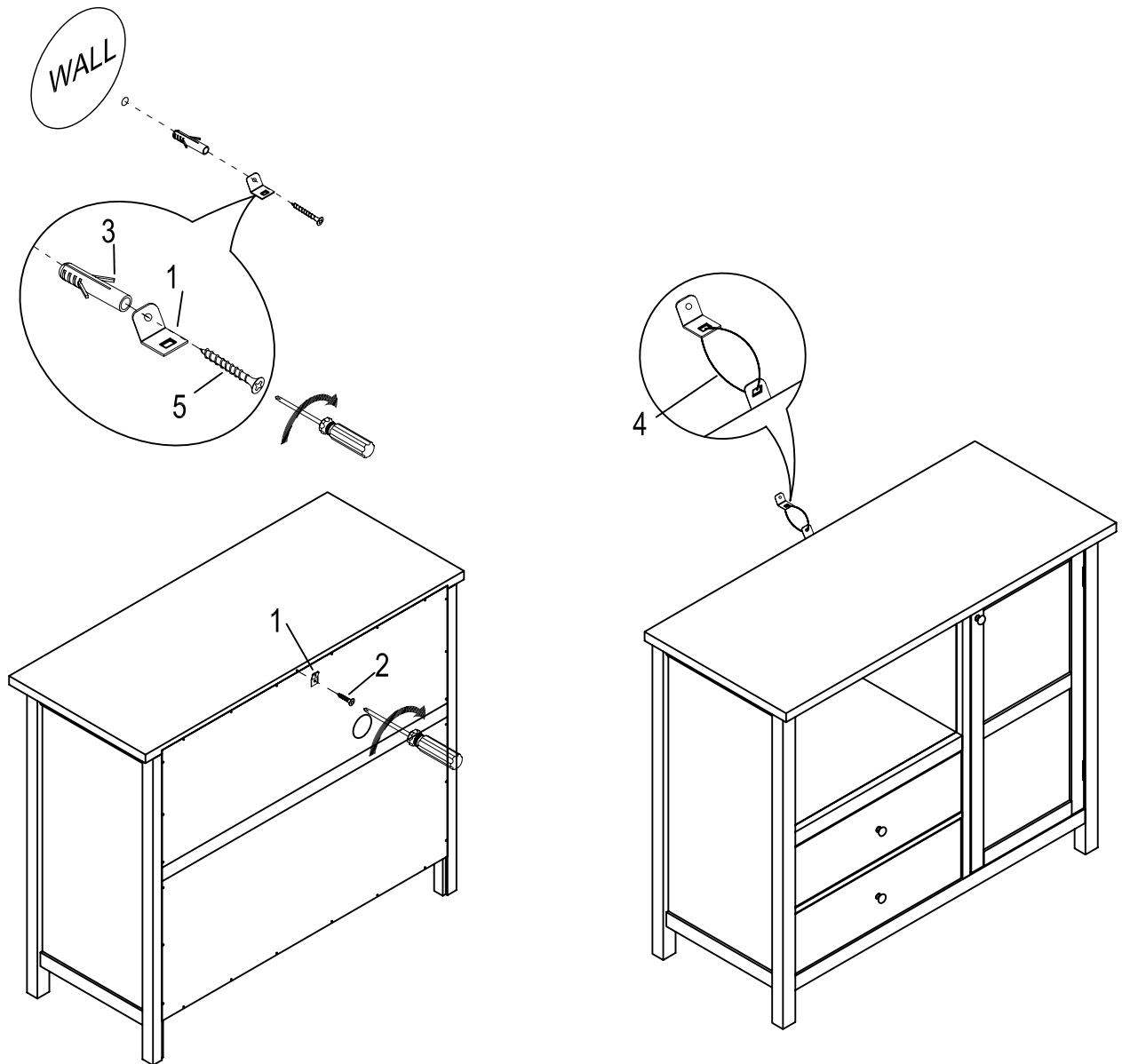






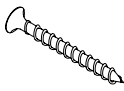
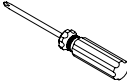
NOTE: When removing the drawer, tip-up the safety release tab to remove the drawer from the body.

Assembly (continued)

12 Finalizing the assembly

- Install the anti-tipping hardware as shown.



Rectangle metal plate (1) x 2	1/2 in. Flat head screw (2) x 1	Plastic anchor (3) x 1	Plastic band (4) x 1	1-1/2 in. Flat head screw (5) x 1	Small head
					— QQ 

StyleWell™

Questions, problems, missing parts?
Before returning to the store, call Customer Service
8 a.m. – 7 p.m., EST, Monday – Friday, 9 a.m. – 6 p.m., EST, Saturday

1-877-527-0313

HOMEDEPOT.COM

Retain this manual for future use.