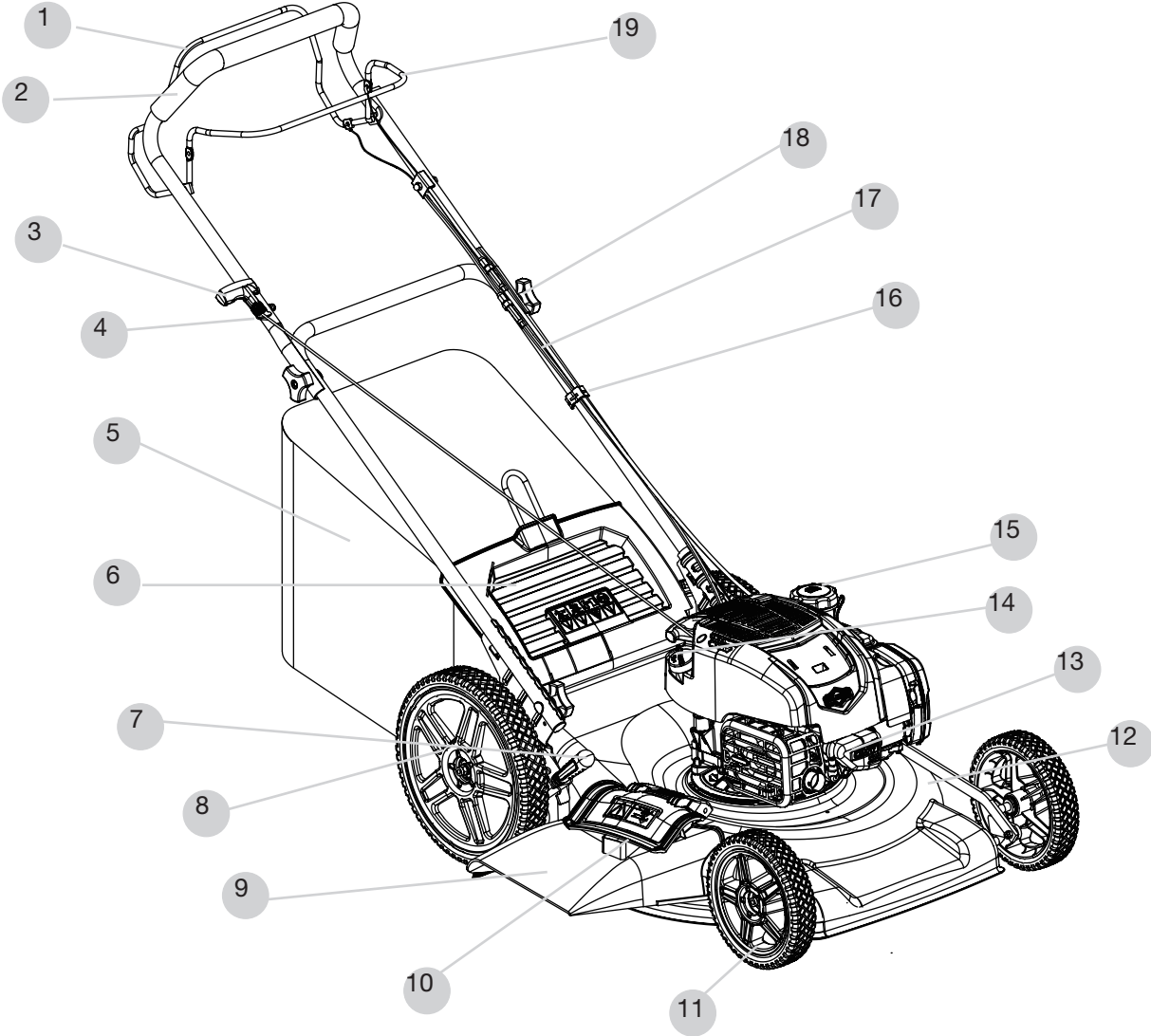


# PARTS LIST

## KNOW YOUR LAWN MOWER

Fig. 1



## PARTS LIST

- 1 Self-propelled drive control bar
- 2 Upper handle
- 3 Engine start handle
- 4 Rope guide
- 5 Grass bag
- 6 Rear chute flap
- 7 Height-adjusting handle
- 8 Rear wheel
- 9 Side discharge chute (removable)
- 10 Side discharge cover
- 11 Front wheel
- 12 Cutting deck
- 13 Spark plug cover
- 14 Oil filler dipstick
- 15 Gas filler cap
- 16 Cord clip
- 17 Lower handle
- 18 Handle knob and bolt
- 19 Engine on/off control bar

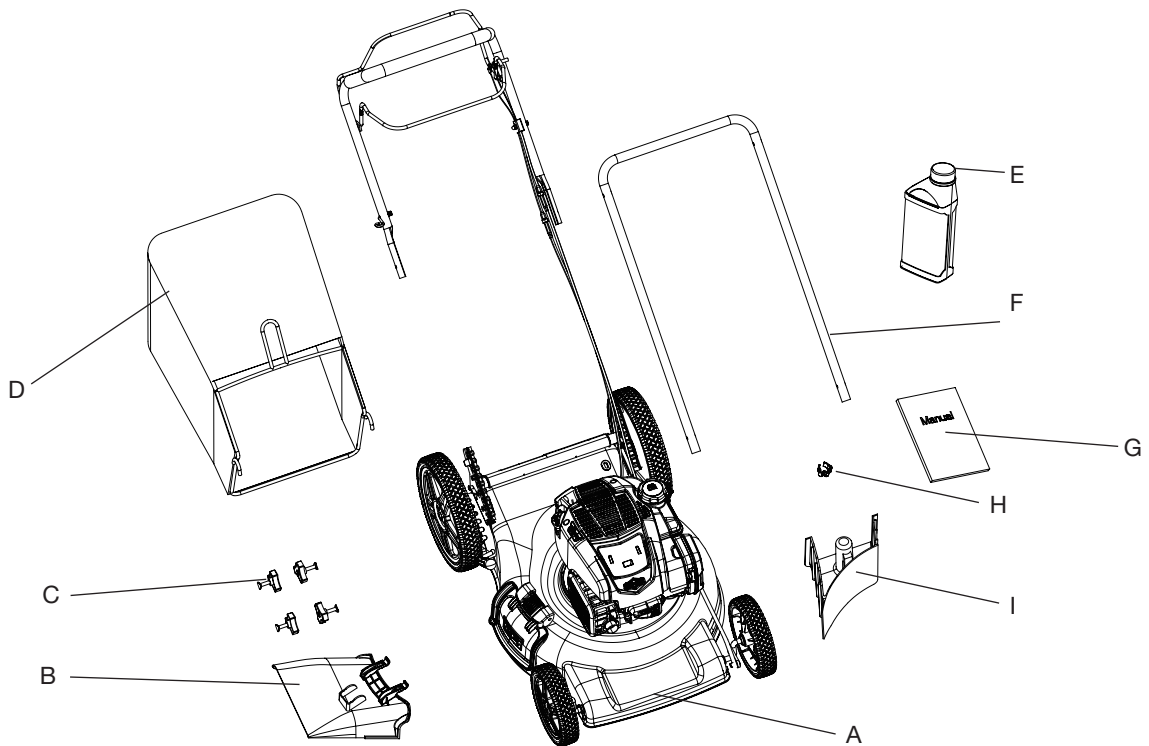
### PARTS LIST

Carefully remove the lawn mower from its packaging and check that the following parts are included:

- A. Main mower deck (with upper handle) 1 pc
- B. Side discharge chute 1 pc
- C. Handle Knob and Bolt 4 sets
- D. Grass bag with holder 1 pc
- E. Engine Oil (SAE 30 15 o.z.) 1 pc
- F. Lower handle bar 1 pc
- G. Manual 1 pc
- H. Cord clip 1 pc
- I. Mulching plug (inside the mower) 1 pc

## PARTS LIST

Fig. 2



**WARNING!**

If any parts are damaged or missing, do not operate this lawn mower until the missing parts are replaced.

Failure to heed this warning could result in serious personal injury.



**NOTE:**

Always recycle the packaging in accordance with local recycling programs.



**WARNING!**

This item requires a two-person lift to remove from the packaging. Make sure that you have sufficient space to put the lawn mower down. Keep your feet apart so that you have a stable

## INTENDED USE

This gas-powered lawn mower has been designed for cutting residential lawn areas.

The machine is to be used only for its prescribed purpose. Any other use is deemed to be a case of misuse. The user/operator and not the manufacturer will be liable for any damage or injuries of any kind caused as a result of this.

Please note that our equipment has not been designed for use in commercial, trade or industrial applications. Our warranty will be voided if the machine is used in commercial, trade or industrial businesses or for equivalent purposes.