



Specifications

Disposer Description:

2800 RPM | LIFETIME IN-HOME WARRANTY

- Advanced Sound Suppression
- 3-Bolt Mount System for Easy Installation
- All Stainless Steel Grinding Components
- Magnetic Disposer Protection
- High Torque Balanced Grinding System
- Antimicrobial Agent for Odor Protection
- Removable Splash Guard
- Attached Power Cord
- Lifetime Corrosion Failure Warranty

1-1/4 HP - EB1250-HT

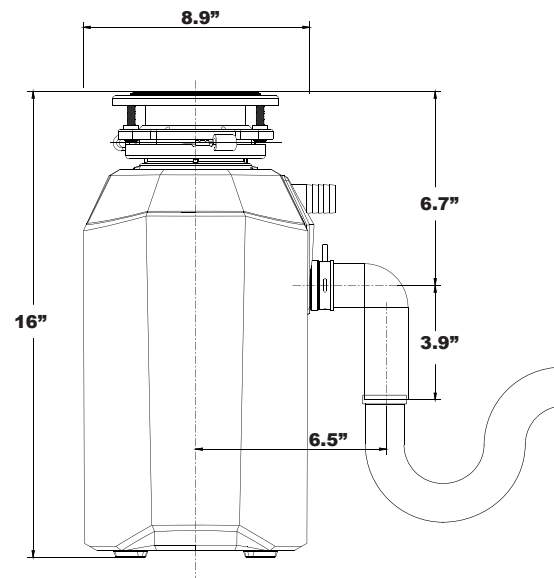
Highest Torque



Specification Detail:

HORSEPOWER	1-1/4 HP
MOTOR SPEED RPM	2800 RPM
VOLTAGE	120 VAC
AMPS	7.5 A
CYCLES	60 Hz
BEARINGS	Permanently Lubricated, Sleeve-Type
MOTOR TYPE	DC, Permanent Magnet
SPLASH GUARD	Removable
GRIND RING	Stainless Steel
SWIVEL IMPELLERS	Cast Stainless Steel
BALANCED TURNTABLE	Stainless Steel
BALANCED ARMATURE SHAFT	Yes
HOPPER	Corrosion-Proof – Phenolic
DRAIN HOUSING	Corrosion-Proof – Glass-Filled Polyester Nylon (PA66)
APPLIANCE PROTECTOR	Manual Reset
SOUND-DAMPENING SHELL	Advanced Sound Suppression
HARDWARE INCLUDED	Stopper and Drain Elbow Kit
SINK FLANGE	Stainless Steel
MOUNT ASSEMBLY	3-Bolt
HOPPER CAPACITY	36 oz.
POWER CORD LENGTH	34"
UNIT WEIGHT	16.6 lbs.

Dimensions:



FOR MORE INFORMATION CALL: 1-833-240-6222 (Toll-Free)

M-F 8:00am-5:00pm PST English & Spanish

SP-EB1250HT-182