

CLASSIC

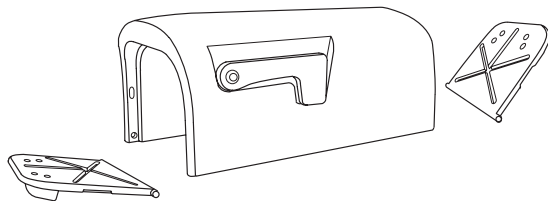
MAILBOX & POST COMBO

INSTALLATION INSTRUCTIONS / INSTRUCCIONES DE INSTALACION

Recommended Tools & Supplies:
Recomendó Herramientas y Suministros:

WARNING: CHECK FOR UNDERGROUND CABLES OR PIPES BEFORE DIGGING.
ADVERTENCIA: CHEQUE PARA CABLES O TUBOS SUBTERRÁNEOS ANTES DE CAVAR.

PARTS / PARTES



1- Wrap with Flag
Envoltura con Bandera

2- Doors
Puertas

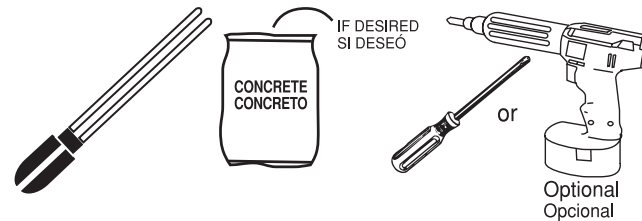
1- Base

1- Post
Poste

Screws / Vis /
Tornillos

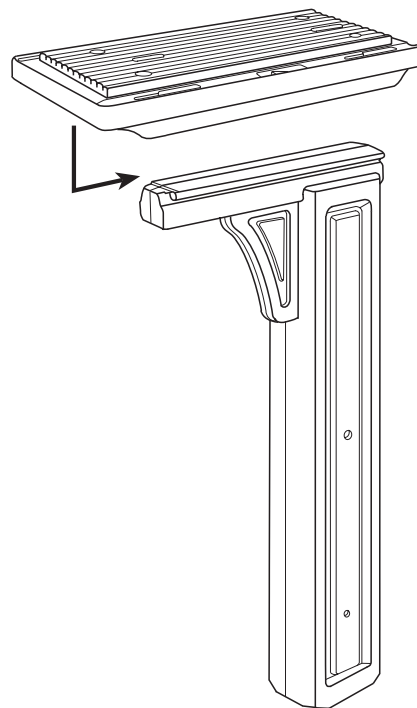


4- #6 x 1 5/8"



1 Slide base onto post until it snaps into place.

Deslizar la base sobre el poste hasta lo chasquidos en lugar.

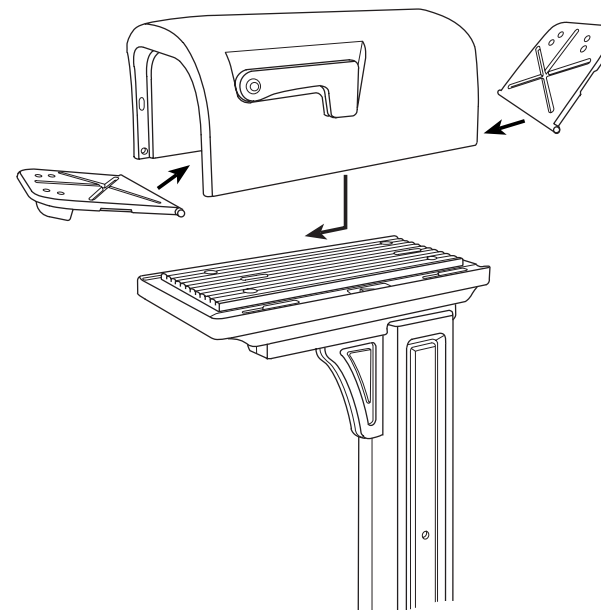


2 **A** Slide wrap onto base until it snaps into place.

Deslizar la envoltura sobre el base hasta lo chasquidos en lugar.

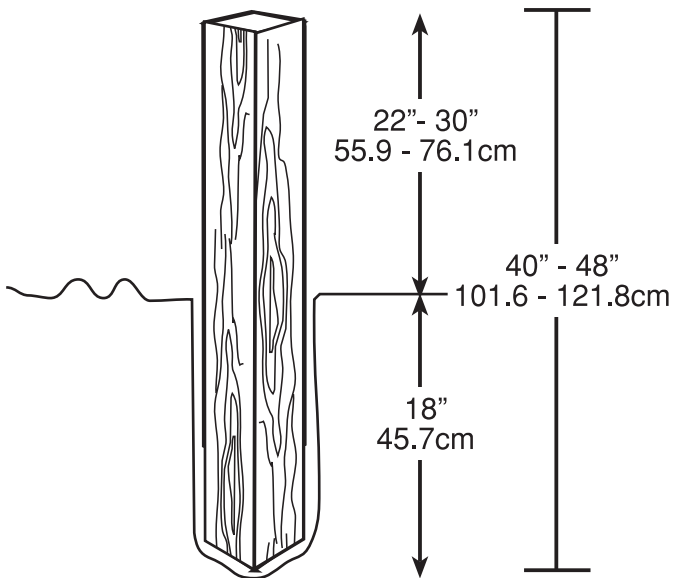
B Attach doors to wrap. Insert one pin, then snap the other one in place.

Adjuntar puertas a envoltura. Insertar un alfiler y entonces chasquido el otro en lugar.



3 Dig a hole and install 40"- 48" treated 4x4 post (not included.)

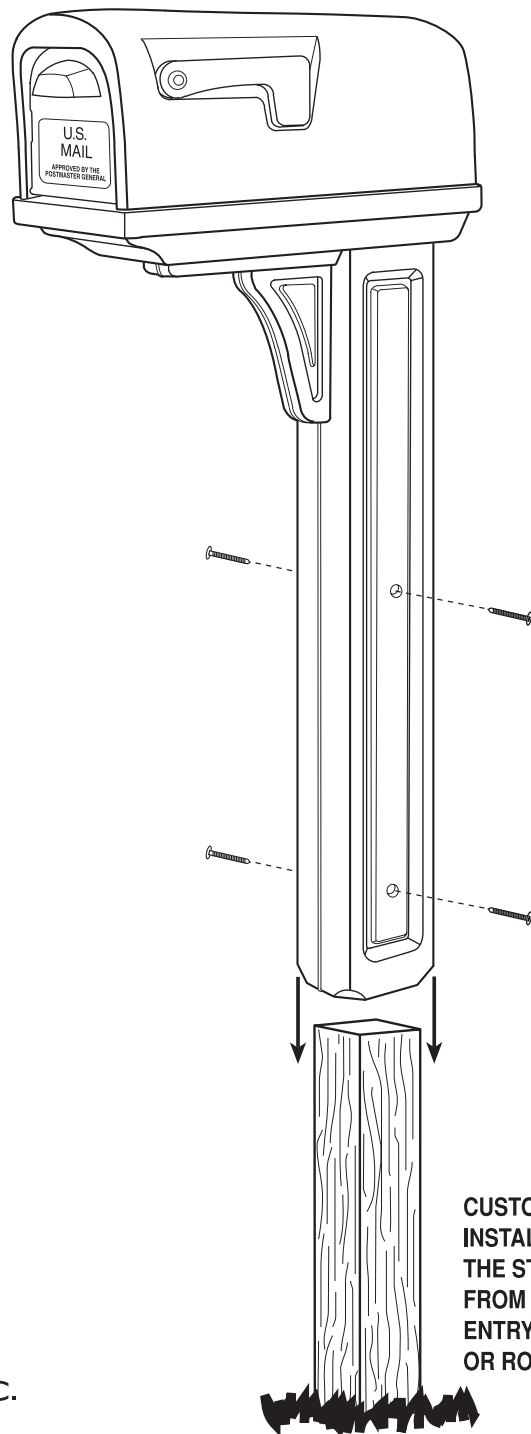
Excavar un hoyo e instalar 101.6-128.8cm 4x4 poste con tratamiento (no incluyó.)



NOTE: Make sure post is level
LA NOTA: Asegurarel poste es nivel.

4 Attach combo to 4x4 post with 4(#6 x 1 5/8") screws.

Adjuntar unidad a 4x4 poste con 4(#6 x 1 5/8") tornillos.



CUSTOMERS ARE REQUIRED TO CONTACT THE LOCAL POST OFFICE BEFORE INSTALLING THE MAILBOX TO ENSURE ITS CORRECT PLACEMENT AND HEIGHT AT THE STREET. GENERALLY, MAILBOXES ARE INSTALLED AT A HEIGHT OF 41-45 IN. FROM THE ROAD SURFACE TO INSIDE FLOOR OF THE MAILBOX OR POINT OF MAIL ENTRY (LOCKED DESIGNS) AND ARE SET BACK 6-8 IN. FROM FRONT FACE OF CURB OR ROAD EDGE TO THE MAILBOX DOOR.



TAYLORSVILLE, MS 39168



#CL100055-03