

FREESTANDING BATHTUB

■ 60" x 32" (1524 mm x 813 mm)

STANDARD SPECIFICATIONS:

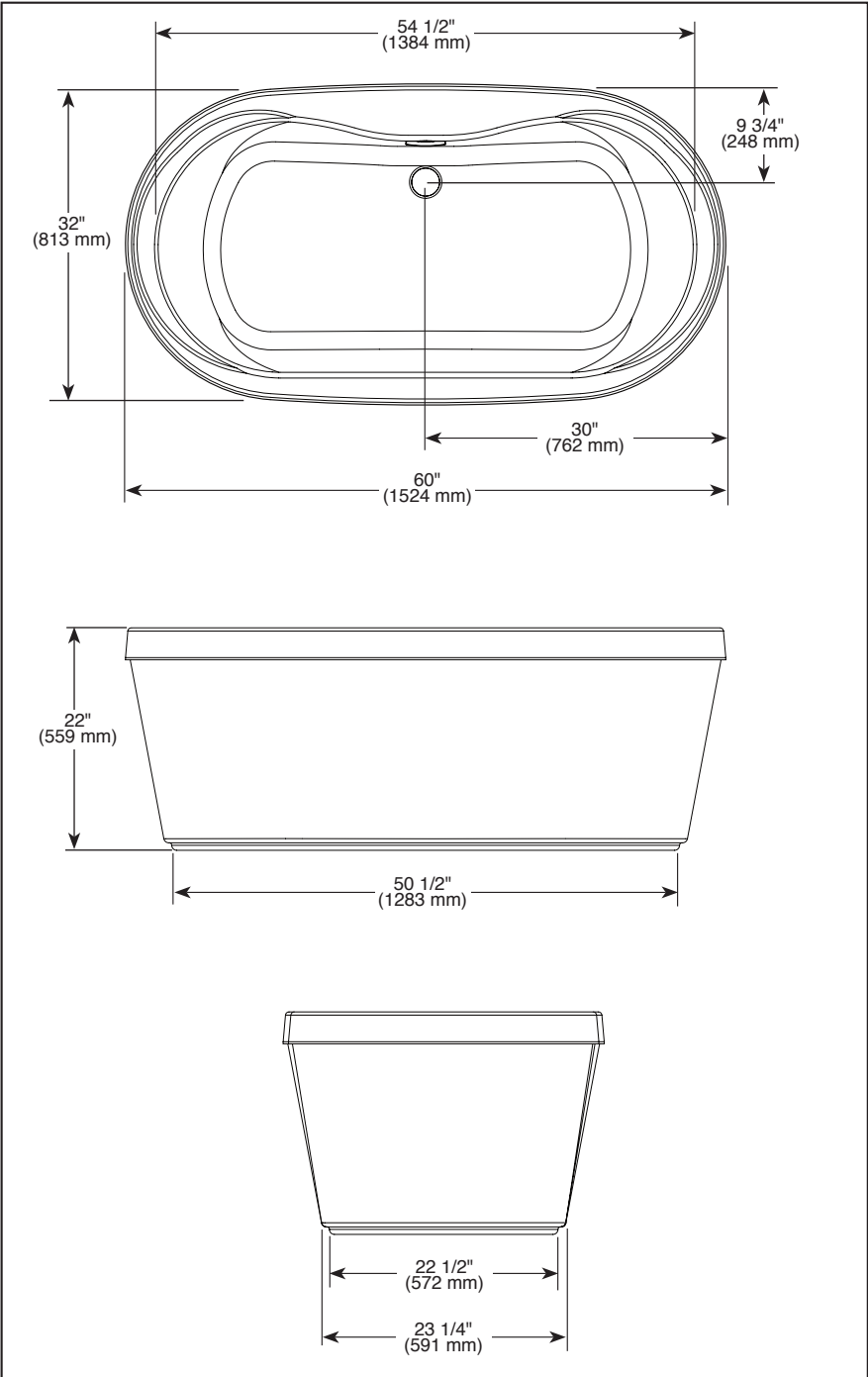
- Vacuum formed acrylic reinforced with fiberglass
- Scratch, stain and fade resistant high gloss finish
- Installation friendly two piece design
- Accepts deck mounted faucet
- Includes integral pop-up drain and slotted overflow with cover
- Average weight: 90lbs (41 kg)
- Bathing well at bottom: 45" x 21" (1143 mm x 533 mm)
- Capacity drain to overflow: 50 gallons (227 litres)
- Water depth drain to overflow: 16" (406 mm)
- Drain opening: 2" dia. (51 mm)
- Drain to floor clearance: 3 1/4" (83 mm)

WARRANTY

- 10 year warranty residential, 1 year commercial.

COMPLIES WITH:

- CSA B45.5/IAPMO Z 124



55 E 111th Street, Indianapolis, Indiana 46280
 350 South Edgeware Road, St. Thomas, ON N5P 4L1
 © 2016 Masco Corporation of Indiana