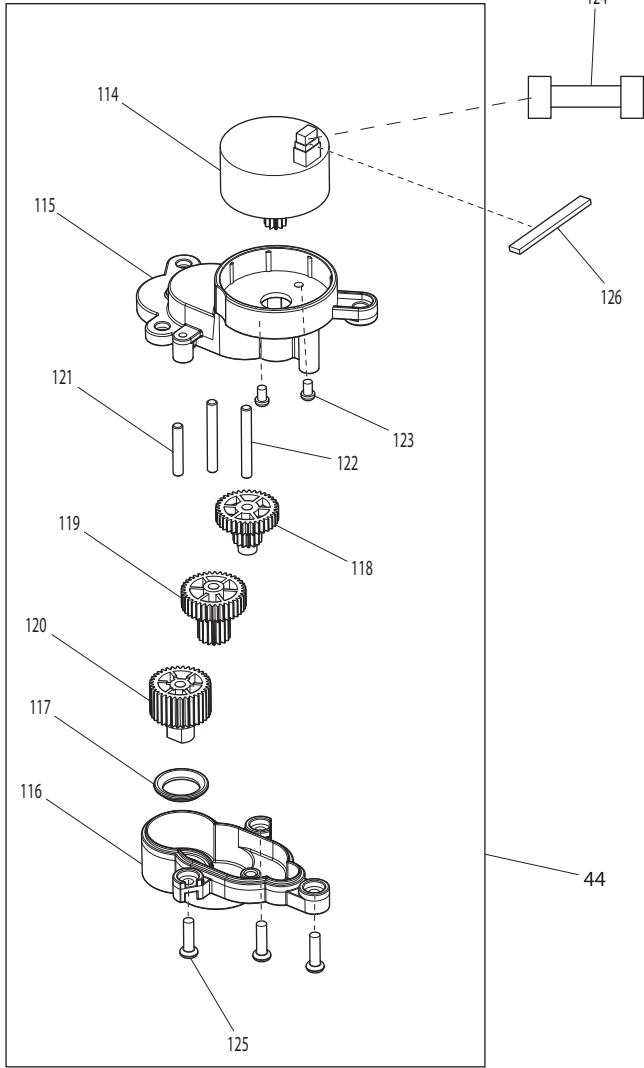
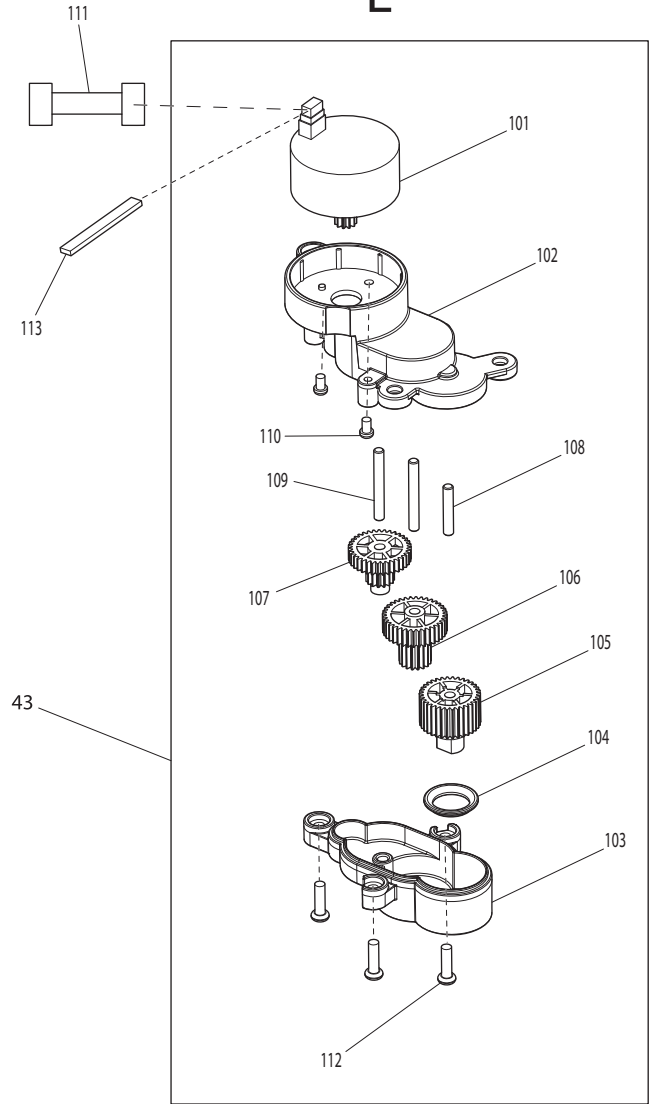
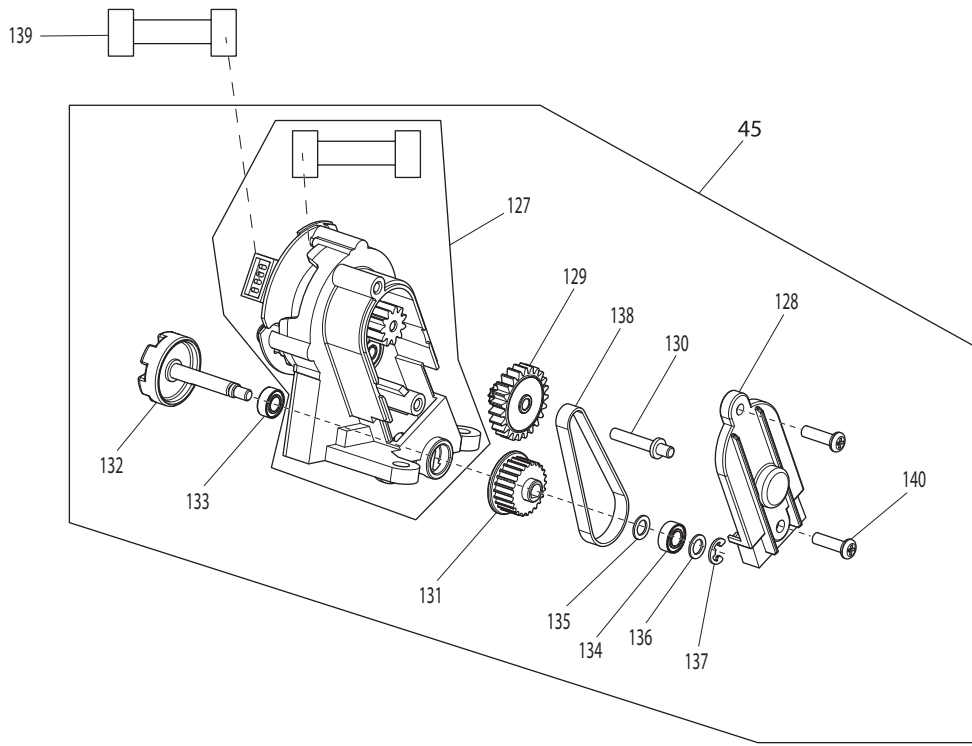


R



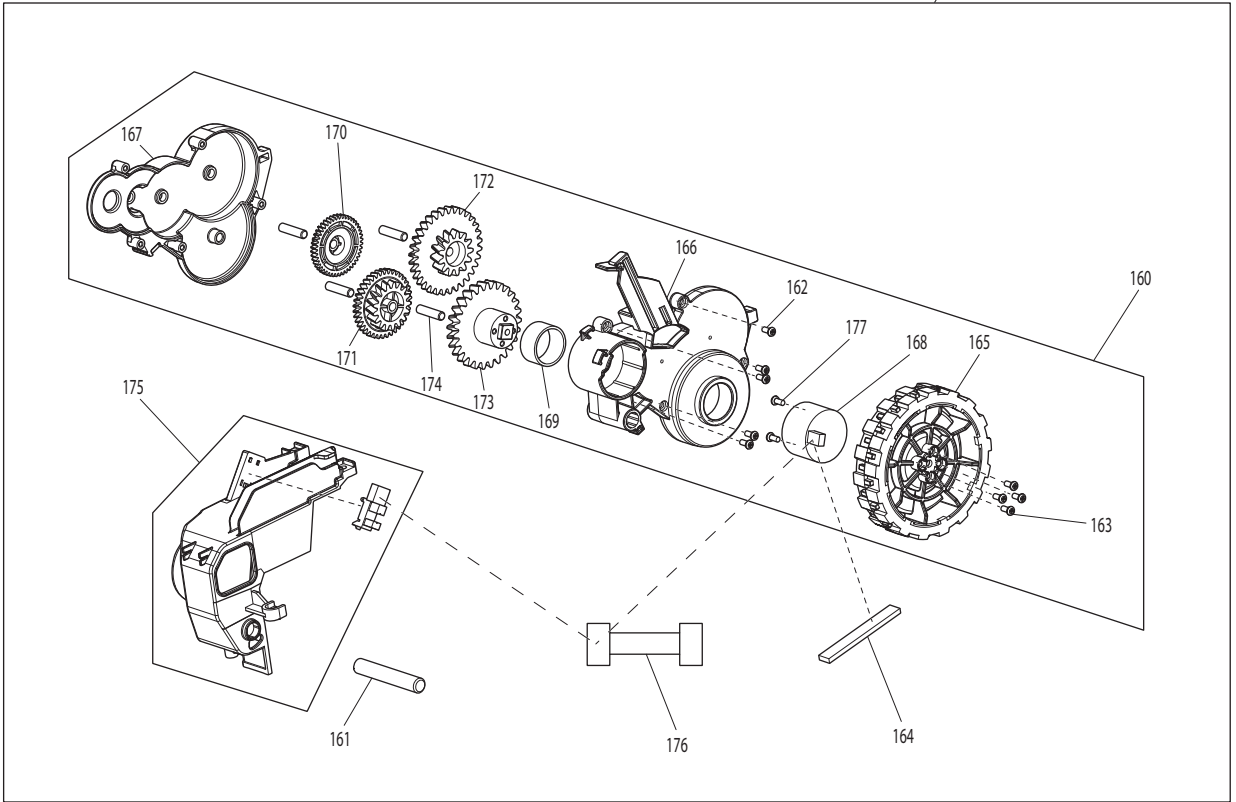
L





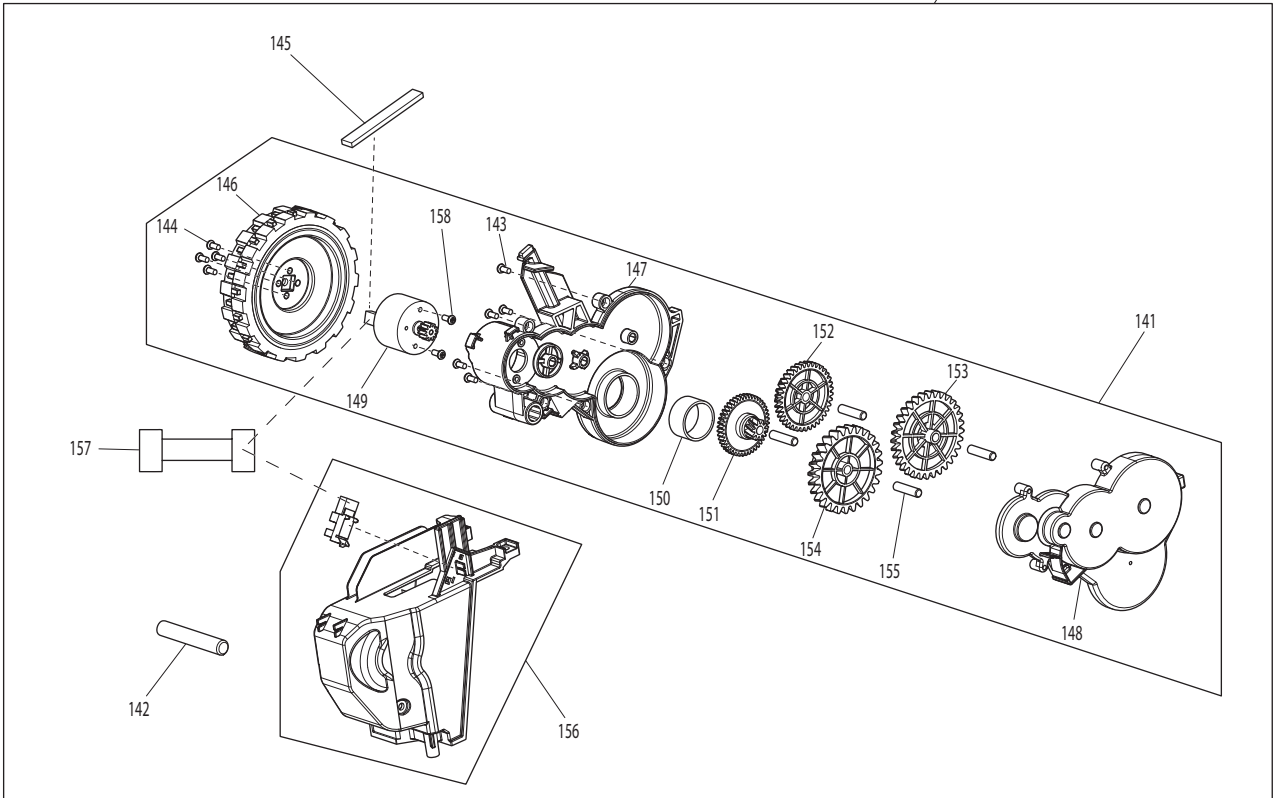
R

47

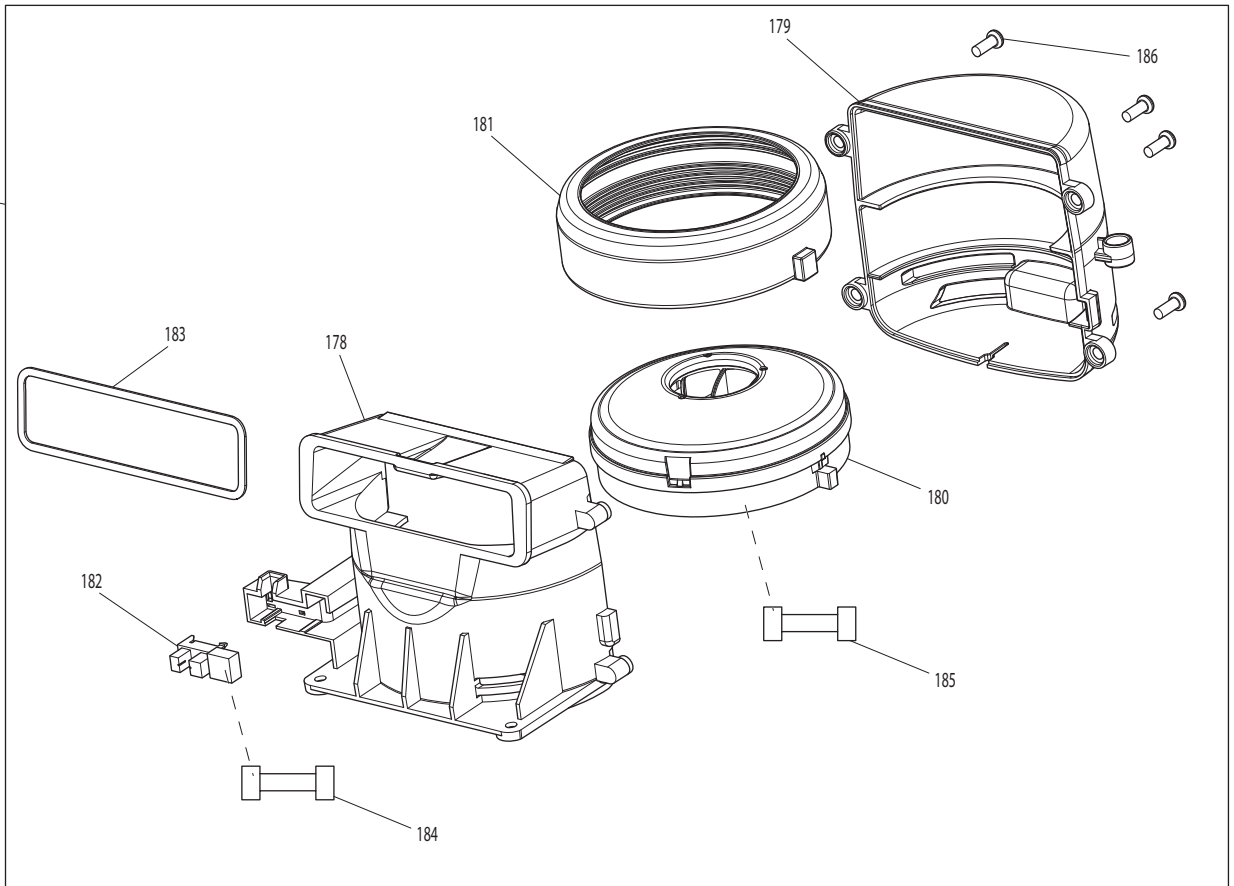


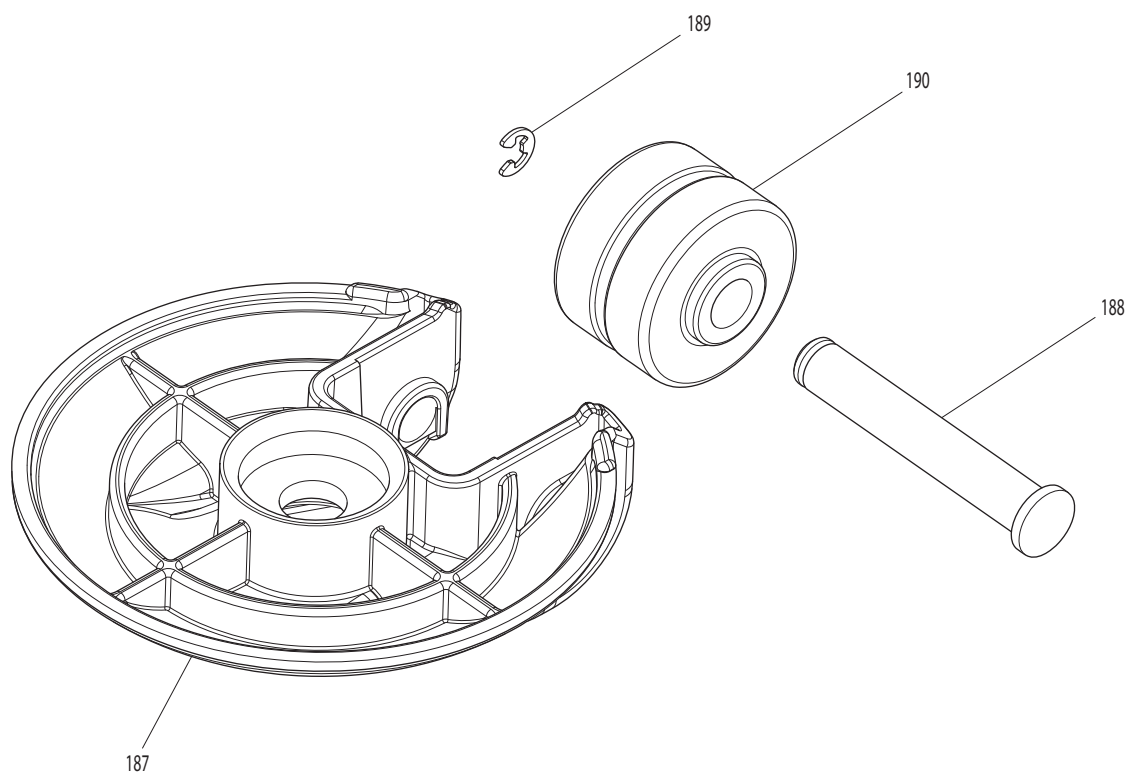
L

46

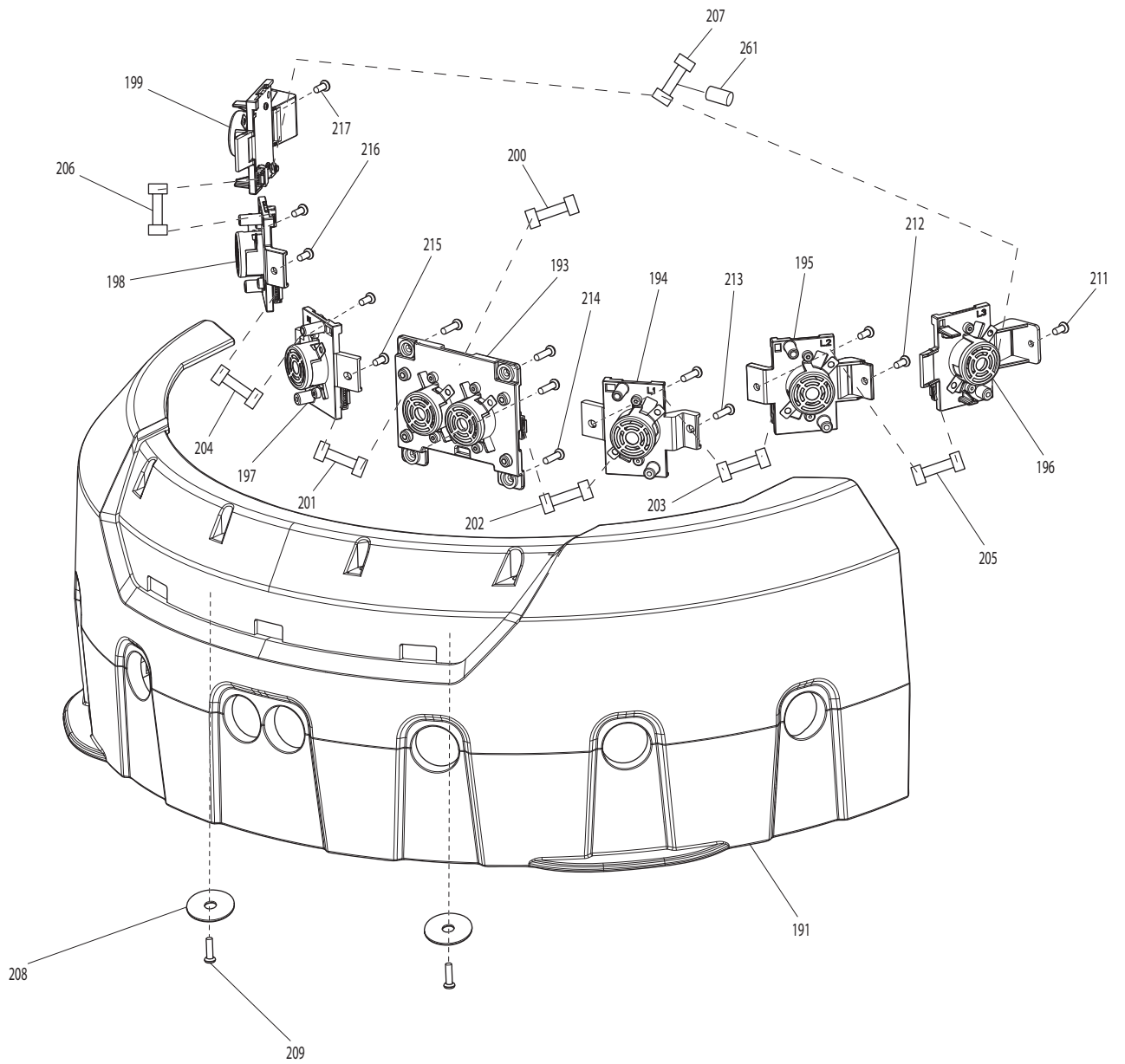
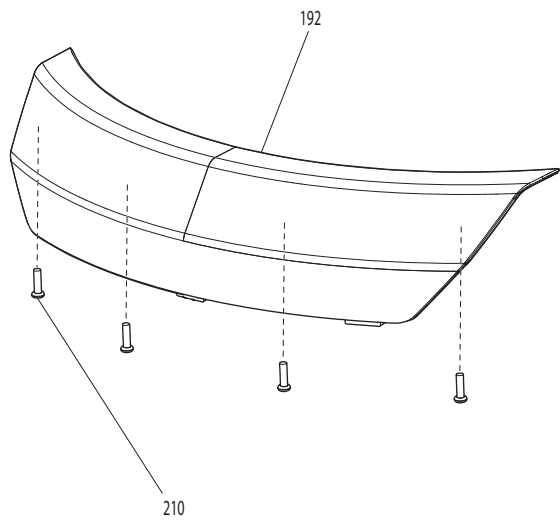


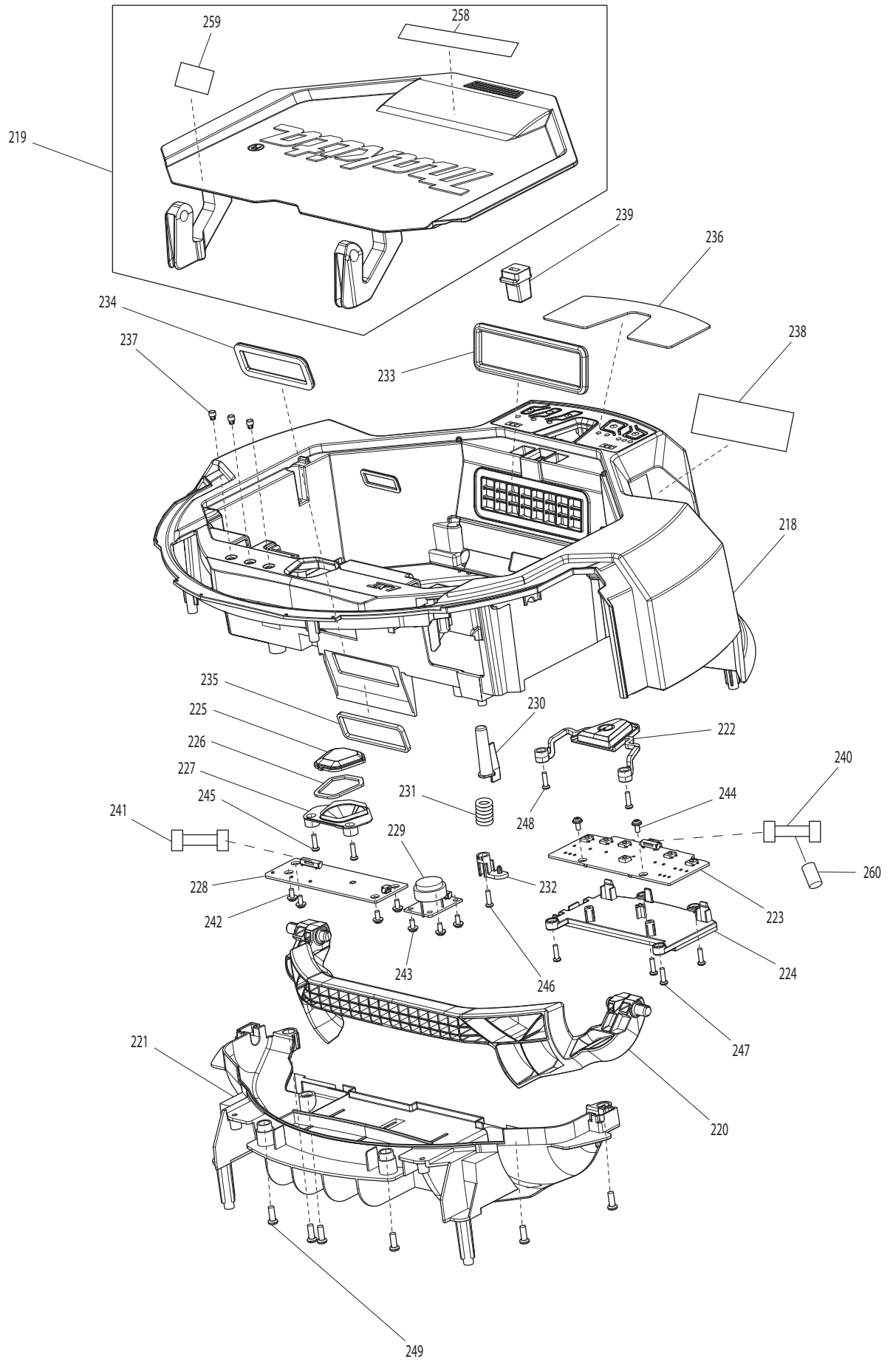
50

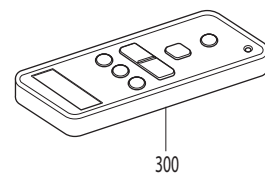
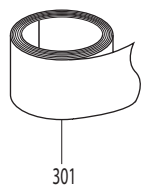
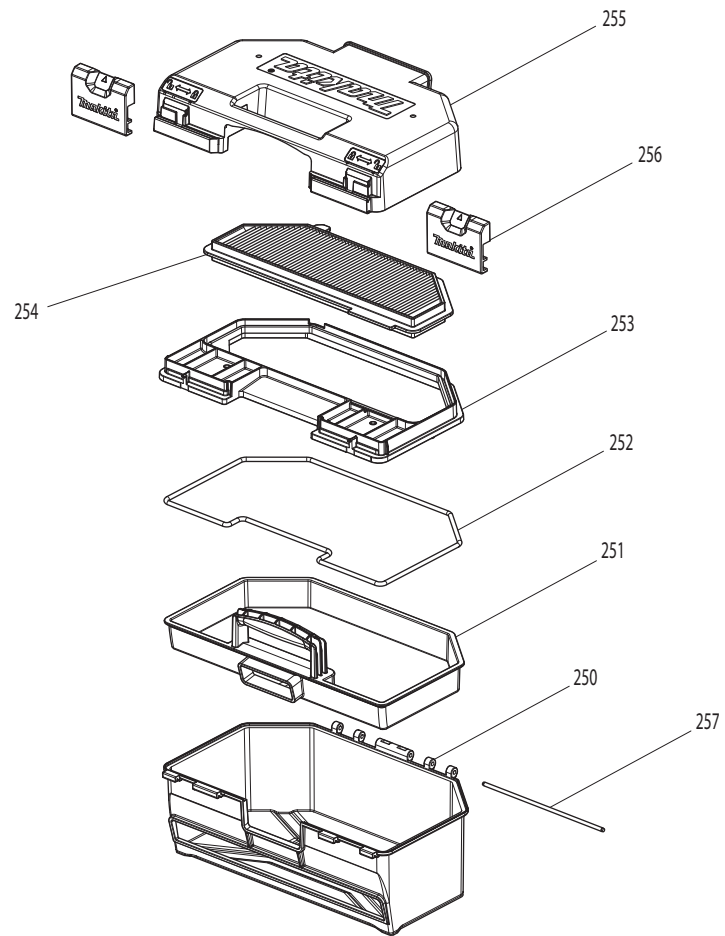












## Model DRC200Z Parts List

A = Standard Equipment

O = Circuit Diagram

Item#	Part#	Description	Q'ty Unit
001	SH00000063	MAIN BRUSH ASSY	1 PC.
002	SH00000064	BOTTOM PLATE ASSY	1 PC.
003	SH00000065	SIDE BRUSH ASSY 2PCS	1 PC.
004	SH00000066	FW COVER	1 PC.
005	SH00000067	CABLE COVER R	1 PC.
006	SH00000068	CABLE COVER L	1 PC.
007	SH00000069	SCREW(M4X8 MACHIN)	4 PC.
008	SH00000070	SB SCREW ASSY 2PCS	1 PC.
009	SH00000071	SCREW(M3X10)	2 PC.
010	SH00000071	SCREW(M3X10)	1 PC.
011	SH00000221	SCREW(M4X16)	6 PC.
012	SH00000221	SCREW(M4X16)	10 PC.
013	SH00000072	LOWER BODY ASSY	1 PC.
014	SH00000073	CONTROL PWB ASSY	1 PC.
015	SH00000241	RF MODULE	1 PC.
016	SH00000075	RF HOLDER	1 PC.
017	SH00000076	CONTROL HOLDER ASSY	1 PC.
	D10	INC. 51,52	
018	SH00000078	AS PWB ASSY	1 PC.
019	SH00000079	BATTERY PWB ASSY	1 PC.
020	SH00000080	INSULATING SHEET	1 PC.
021	SH00000081	TERMINAL HOLDER L	1 PC.
022	SH00000082	TERMINAL HOLDER R	1 PC.
023	SH00000083	RUBBER PIN	2 PC.
024	SH00000083	RUBBER PIN	2 PC.
025	SH00000084	FRONT ROLLER SHAFT	1 PC.
026	SH00000085	FRONT ROLLER ASSY	1 PC.
027	SH00000086	IR SENSOR C ASSY	1 PC.
028	SH00000086	IR SENSOR C ASSY	1 PC.
029	SH00000087	IR SENSOR S ASSY	1 PC.
030	SH00000087	IR SENSOR S ASSY	1 PC.
031	SH00000088	BL SENSOR ASSY	1 PC.
032	SH00000222	SENSOR LENS SHEET	2 PC.
033	SH00000222	SENSOR LENS SHEET	1 PC.
035	SH00000222	SENSOR LENS SHEET	1 PC.
036	SH00000222	SENSOR LENS SHEET	1 PC.
037	SH00000222	SENSOR LENS SHEET	1 PC.
038	SH00000089	WEIGHT PLATE	2 PC.
039	SH00000090	BUMPER ANGLE L	1 PC.
040	SH00000091	BUMPER ANGLE R	1 PC.
041	SH00000092	BUMPER SPRING	1 PC.
042	SH00000092	BUMPER SPRING	1 PC.
043	SH00000093	SB UNIT L ASSY	1 PC.
	D10	INC. 101-110,112	
044	SH00000094	SB UNIT R ASSY	1 PC.
	D10	INC. 114-123,125	
045	SH00000095	PB SUPPORT S ASSY	1 PC.
	D10	INC. 127-138,140	
046	SH00000096	MAIN WHEEL L ASSY	1 PC.

	D10	INC. 141,142,145,156,157	
047	SH00000097	MAIN WHEEL R ASSY	1 PC.
	D10	INC. 160,161,164,175,176	
048	SH00000098	WHEEL SPRING	1 PC.
049	SH00000098	WHEEL SPRING	1 PC.
050	SH00000099	AIR DUCT UNIT ASSY	1 PC.
	D10	INC. 178-186	
051	SH00000101	BUMPER SW CABLE	1 PC.
052	SH00000101	BUMPER SW CABLE	1 PC.
053	SH00000223	COOLING FAN S ASSY	1 PC.
054	SH00000224	COOLING FAN SEAL	2 PC.
055	SH00000104	BATTERY CABLE L	1 PC.
056	SH00000105	BATTERY CABLE R	1 PC.
057	SH00000106	BATTERY PS CABLE	1 PC.
058	SH00000107	BATTERY SIGNAL CABLE	1 PC.
059	SH00000108	BATTERY EARTH CABLE	1 PC.
060	SH00000109	AS CABLE	1 PC.
061	SH00000242	CLIFF SENSOR CABLE L	1 PC.
062	SH00000243	CLIFF SENSOR CABLE R	1 PC.
063	SH00000110	SCREW(M3X8XWASHER8)	5 PC.
064	SH00000110	SCREW(M3X8XWASHER8)	3 PC.
065	SH00000110	SCREW(M3X8XWASHER8)	3 PC.
066	SH00000111	SCREW(M4X10)	3 PC.
067	SH00000111	SCREW(M4X10)	2 PC.
068	SH00000111	SCREW(M4X10)	2 PC.
069	SH00000111	SCREW(M4X10)	2 PC.
070	SH00000111	SCREW(M4X10)	1 PC.
071	SH00000111	SCREW(M4X10)	1 PC.
072	SH00000111	SCREW(M4X10)	1 PC.
073	SH00000111	SCREW(M4X10)	3 PC.
074	SH00000111	SCREW(M4X10)	3 PC.
075	SH00000111	SCREW(M4X10)	2 PC.
076	SH00000111	SCREW(M4X10)	3 PC.
077	SH00000111	SCREW(M4X10)	2 PC.
078	SH00000111	SCREW(M4X10)	3 PC.
079	SH00000111	SCREW(M4X10)	4 PC.
080	SH00000111	SCREW(M4X10)	2 PC.
081	SH00000111	SCREW(M4X10)	2 PC.
082	SH00000111	SCREW(M4X10)	4 PC.
083	SH00000111	SCREW(M4X10)	4 PC.
084	SH00000112	WASHER(4.5X13XT1)	2 PC.
085	SH00000113	SCREW(M5X10XWASHER16)	2 PC.
086	643899-6	TERMINAL	1 PC.
087	643899-6	TERMINAL	1 PC.
088	SH00000226	PC WASHER	2 PC.
089	SH00000236	SENSOR LENZ SEAL	1 PC.
090	SH00000236	SENSOR LENZ SEAL	1 PC.
091	SH00000236	SENSOR LENZ SEAL	1 PC.
092	SH00000236	SENSOR LENZ SEAL	1 PC.
093	SH00000236	SENSOR LENZ SEAL	1 PC.
094	SH00000236	SENSOR LENZ SEAL	1 PC.
095	SH00000244	FERRITE CORE	4 PC.
101	SH00000114	MOTOR S ASSY	1 PC.
102	SH00000115	SB MOTOR HOLDER L	1 PC.
103	SH00000116	SB MOTOR COVER	1 PC.
104	SH00000117	SB METAL	1 PC.

105	SH00000118	SB GEAR 4 ASSY	1 PC.
106	SH00000119	SB GEAR 3	1 PC.
107	SH00000120	SB GEAR 2	1 PC.
108	SH00000121	COMMON SHAFT 1	1 PC.
109	SH00000122	SB GEAR SHAFT 1	2 PC.
110	SH00000123	SCREW(M2.6X4 MACHINE)	2 PC.
111	SH00000124	SIDE BRUSH CABLE	1 PC.
112	SH00000071	SCREW(M3X10)	3 PC.
113	SH00000227	MOTOR SEAL	1 PC.
114	SH00000114	MOTOR S ASSY	1 PC.
115	SH00000125	SB MOTOR HOLDER R	1 PC.
116	SH00000116	SB MOTOR COVER	1 PC.
117	SH00000117	SB METAL	1 PC.
118	SH00000120	SB GEAR 2	1 PC.
119	SH00000119	SB GEAR 3	1 PC.
120	SH00000118	SB GEAR 4 ASSY	1 PC.
121	SH00000121	COMMON SHAFT 1	1 PC.
122	SH00000122	SB GEAR SHAFT 1	2 PC.
123	SH00000123	SCREW(M2.6X4 MACHINE)	2 PC.
124	SH00000124	SIDE BRUSH CABLE	1 PC.
125	SH00000071	SCREW(M3X10)	3 PC.
126	SH00000227	MOTOR SEAL	1 PC.
127	SH00000126	PB MOTOR D ASSY	1 PC.
128	SH00000127	PB SUPPORT COVER K	1 PC.
129	SH00000129	PB BELT GEAR 2	1 PC.
130	SH00000130	BELT GEAR SHAFT	1 PC.
131	SH00000131	PB BELT GEAR 3	1 PC.
132	SH00000132	PB HOLDER ASSY	1 PC.
133	SH00000133	BEARING	1 PC.
134	SH00000133	BEARING	1 PC.
135	SH00000134	P WASHER 050	1 PC.
136	SH00000134	P WASHER 050	1 PC.
137-1	SH00000228	E RING	1 PC.
138	SH00000136	TIMING BELT	1 PC.
139	SH00000137	PB MOTOR CABLE	1 PC.
140	SH00000071	SCREW(M3X10)	2 PC.
141	SH00000139	MAIN WHEEL L UNIT	1 PC.
	D10	INC. 143,144,146-155,158	
142	SH00000152	MAIN WHEEL SHAFT	1 PC.
143	SH00000071	SCREW(M3X10)	5 PC.
144	SH00000229	SCREW(M3X10)	4 PC.
145	SH00000227	MOTOR SEAL	1 PC.
146	SH00000150	WHEEL L ASSY	1 PC.
147	SH00000140	WHEEL GEAR BOX L	1 PC.
148	SH00000141	WHEEL GEAR COVER L	1 PC.
149	SH00000142	MW MOTOR S ASSY	1 PC.
150	SH00000143	WHEEL METAL RING	1 PC.
151	SH00000144	WHEEL GEAR 2	1 PC.
152	SH00000145	WHEEL GEAR 3	1 PC.
153	SH00000146	WHEEL GEAR 4	1 PC.
154	SH00000147	WHEEL GEAR 5	1 PC.
155	SH00000148	WHEEL GEAR SHAFT 1	4 PC.
156	SH00000151	WHEEL L UNIT COVER	1 PC.
157	SH00000153	WHEEL CABLE	1 PC.
158	SH00000123	SCREW(M2.6X4 MACHINE)	2 PC.
160	SH00000154	MAIN WHEEL R UNIT	1 PC.

D10		INC. 162,163,165-174,177	
161	SH00000152	MAIN WHEEL SHAFT	1 PC.
162	SH00000071	SCREW(M3X10)	5 PC.
163	SH00000229	SCREW(M3X10)	4 PC.
164	SH00000227	MOTOR SEAL	1 PC.
165	SH00000157	WHEEL R ASSY	1 PC.
166	SH00000155	WHEEL GEAR BOX R	1 PC.
167	SH00000156	WHEEL GEAR COVER R	1 PC.
168	SH00000142	MW MOTOR S ASSY	1 PC.
169	SH00000143	WHEEL METAL RING	1 PC.
170	SH00000144	WHEEL GEAR 2	1 PC.
171	SH00000145	WHEEL GEAR 3	1 PC.
172	SH00000146	WHEEL GEAR 4	1 PC.
173	SH00000147	WHEEL GEAR 5	1 PC.
174	SH00000148	WHEEL GEAR SHAFT 1	4 PC.
175	SH00000158	WHEEL R UNIT COVER	1 PC.
176	SH00000153	WHEEL CABLE	1 PC.
177	SH00000123	SCREW(M2.6X4 MACHINE)	2 PC.
178	SH00000159	AIR DUCT FRONT	1 PC.
179	SH00000160	AIR DUCT REAR	1 PC.
180	SH00000161	FAN MOTOR UNIT ASSY	1 PC.
181	SH00000162	FAN CUSHION	1 PC.
182	SH00000077	PHOTO SENSOR	1 PC.
183	SH00000163	INTAKE SEAL	1 PC.
184	SH00000164	CUP SENSOR CABLE	1 PC.
185	SH00000165	FAN MOTOR CABLE	1 PC.
186	SH00000111	SCREW(M4X10)	4 PC.
187	SH00000166	REAR CASTER FRAME	2 PC.
188	SH00000167	REAR CASTER SHAFT	2 PC.
189	SH00000135	U RING	2 PC.
190	SH00000168	CASTER ASSY	2 PC.
191	SH00000169	BUMPER	1 PC.
192	SH00000170	BUMPER DECO	1 PC.
193	SH00000171	US HOLDER C ASSY	1 PC.
194	SH00000172	US HOLDER L1 ASSY	1 PC.
195	SH00000173	US HOLDER L2 ASSY	1 PC.
196	SH00000174	US HOLDER L3 ASSY	1 PC.
197	SH00000175	US HOLDER R1 ASSY	1 PC.
198	SH00000176	US HOLDER R2 ASSY	1 PC.
199	SH00000177	US HOLDER R3 ASSY	1 PC.
200	SH00000245	US CABLE C	1 PC.
201	SH00000179	US CABLE 1	1 PC.
202	SH00000179	US CABLE 1	1 PC.
203	SH00000180	US CABLE 2	1 PC.
204	SH00000180	US CABLE 2	1 PC.
205	SH00000181	US CABLE 3	1 PC.
206	SH00000181	US CABLE 3	1 PC.
207	SH00000182	US EARTH CABLE	1 PC.
208	SH00000183	WASHER(4.5/25/T1)	2 PC.
209	SH00000111	SCREW(M4X10)	2 PC.
210-1	SH00000184	SCREW(M3X6)	4 PC.
211	SH00000184	SCREW(M3X6)	1 PC.
212	SH00000184	SCREW(M3X6)	2 PC.
213	SH00000184	SCREW(M3X6)	2 PC.
214	SH00000184	SCREW(M3X6)	4 PC.
215	SH00000184	SCREW(M3X6)	2 PC.

216	SH00000184	SCREW(M3X6)	2 PC.
217	SH00000184	SCREW(M3X6)	1 PC.
218	SH00000185	UPPER BODY	1 PC.
219	SH00000246	CASE COVER K	1 PC.
220	SH00000187	HANDLE	1 PC.
221	SH00000188	HANDLE COVER	1 PC.
222	SH00000189	UI BUTTON	1 PC.
223	SH00000190	UI PWB ASSY	1 PC.
224	SH00000191	UI PWB HOLDER	1 PC.
225	SH00000192	LED LENS L	1 PC.
226	SH00000193	LED LENS SEAL	1 PC.
227	SH00000194	LED REFLECTOR	1 PC.
228	SH00000195	LED PWB ASSY	1 PC.
229	SH00000196	BUZZER PWB ASSY	1 PC.
230	SH00000197	FILTER BUTTON	1 PC.
231	SH00000198	FILTER BUTTON SP	1 PC.
232	SH00000199	FILTER BUTTON HOLDER	1 PC.
233	SH00000200	INTAKE PACKING	1 PC.
234	SH00000201	NOZZLE PACKING	1 PC.
235	SH00000202	NOZZLE SEAL	1 PC.
236	SH00000248	UI KEY SHEET	1 PC.
237	SH00000204	LED LENS S	3 PC.
238	SH00000205	EXHAUST FILTER ASSY	1 PC.
239	SH00000206	CATCH LATCH	1 PC.
240	SH00000249	UI CABLE	1 PC.
241	SH00000208	LED CABLE	1 PC.
242	SH00000110	SCREW(M3X8XWASHER8)	4 PC.
243	SH00000110	SCREW(M3X8XWASHER8)	3 PC.
244	SH00000110	SCREW(M3X8XWASHER8)	2 PC.
245	SH00000184	SCREW(M3X6)	2 PC.
246	SH00000071	SCREW(M3X10)	1 PC.
247	SH00000071	SCREW(M3X10)	4 PC.
248	SH00000071	SCREW(M3X10)	2 PC.
249	SH00000111	SCREW(M4X10)	6 PC.
250	SH00000209	DUST BOX LOWER	1 PC.
251	SH00000210	DUST CASE	1 PC.
252	SH00000211	DUST SEAL RING	1 PC.
253	SH00000212	DUST BOX UPPER	1 PC.
254	SH00000213	FILTER UNIT'S ASSY	1 PC.
255	SH00000214	DUST BOX COVER	1 PC.
256	SH00000215	DUST SLIDE LEVER	2 PC.
257	SH00000216	DUST BOX PIN	1 PC.
258	SH00000251	CAUTION LABEL	1
259	SH00000253	ROBOPRO LABEL	1
260	SH00000244	FERRITE CORE	1 PC.
261	SH00000244	FERRITE CORE	1 PC.
300	SH00000238	RF CONTROLLER ASSY	1 PC.
301	SH00000240	SENSOR WALL TAPE US AU	1 PC.