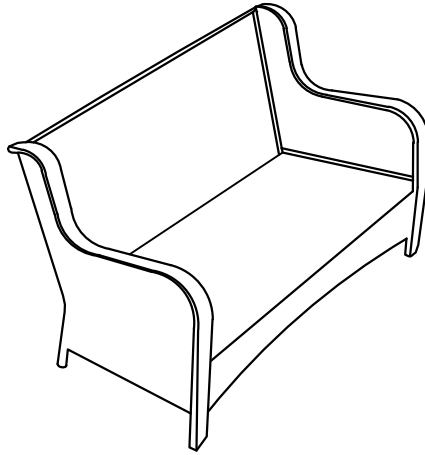


Assembly Instruction

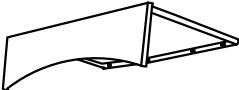
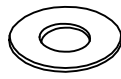
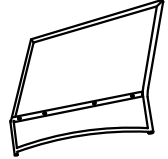
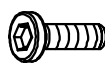
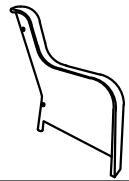

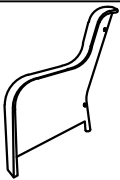
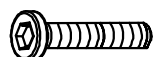
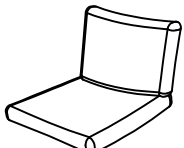

Advice:

1. Power tools are suggested to be used during installation.
2. More than one person may be required to assemble this product.
3. The best advice is not tightening up any screws until the whole piece is assembled. If having difficulty aligning holes, loosen the screws already installed and readjust the armrest.
4. To avoid mess-up or mismatch, please use the hardware of each box to install the furniture in the same box.

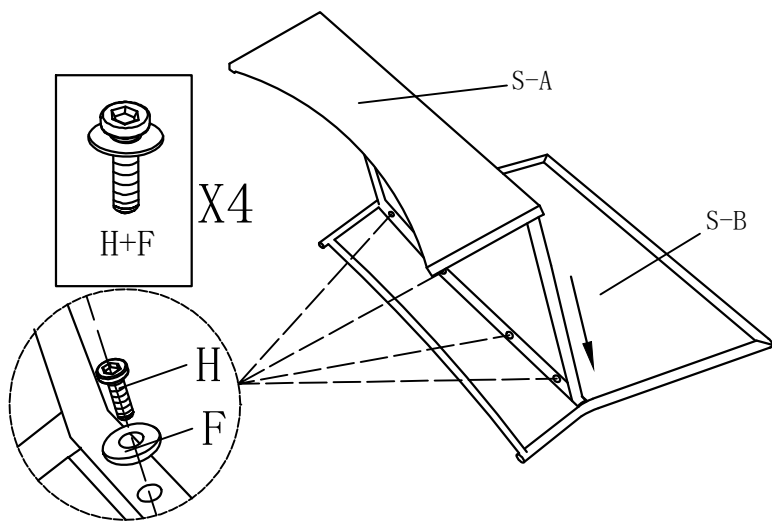


3-Seat Sofa

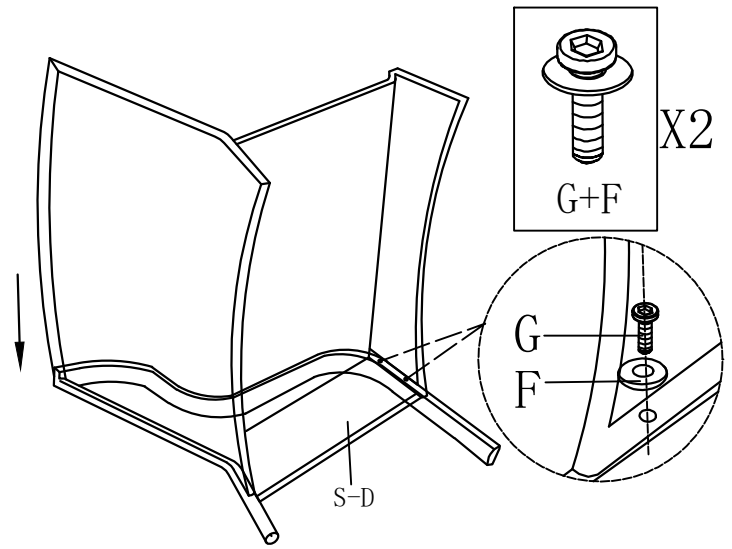
Parts List

Part Number	Picture	Description	QTY	Part Number	Picture	Description	QTY
S-A		Sofa Seat	1	F		Washer (M6)	12
S-B		Sofa Back	1	G		Screw (M6*35)	4
S-C		Right Arm	1	H		Screw (M6*40)	4
S-D		Left Arm	1	I		Screw (M6*45)	4
S-E		Seat and Back Cushion	3	J		Allen Key	1

STEP 1

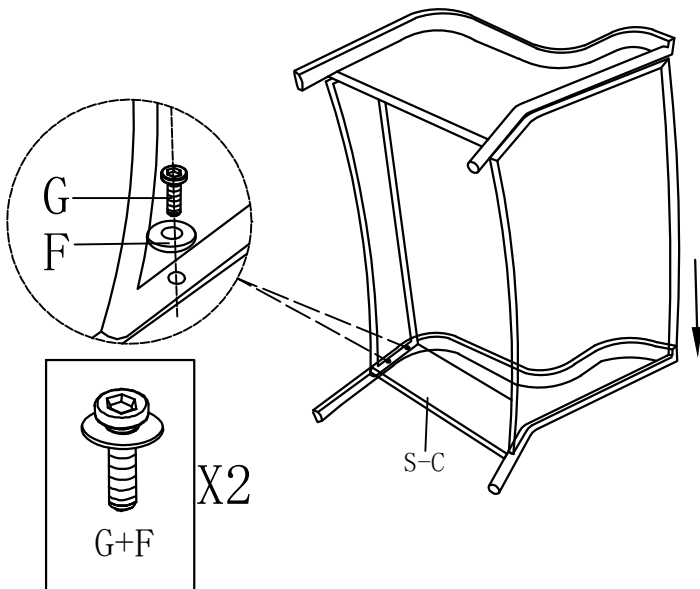


STEP 2

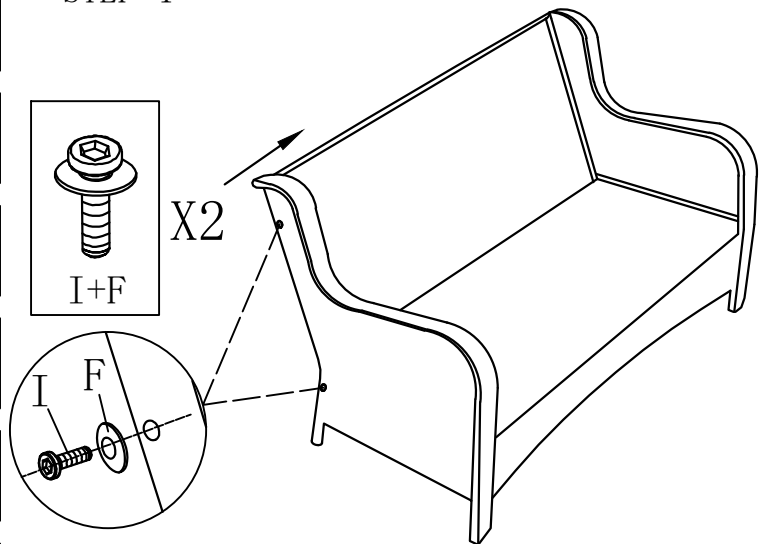


The best advice is not tightening up any screws until the whole piece is assembled.

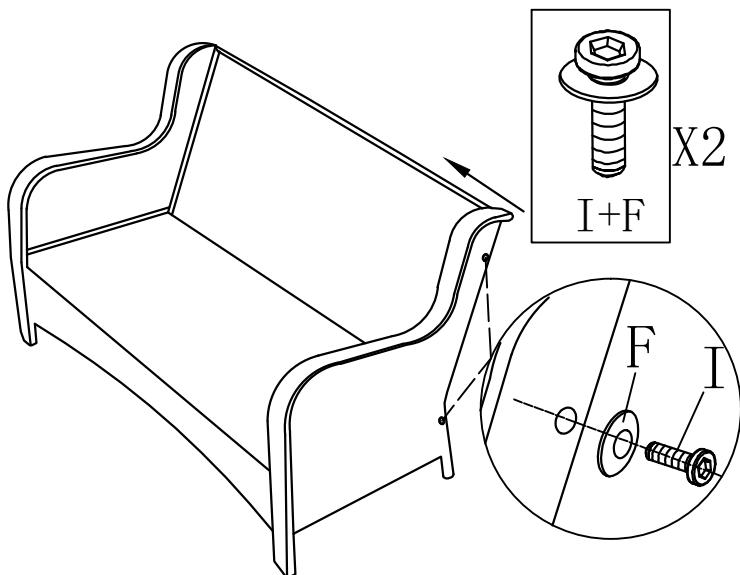
STEP 3



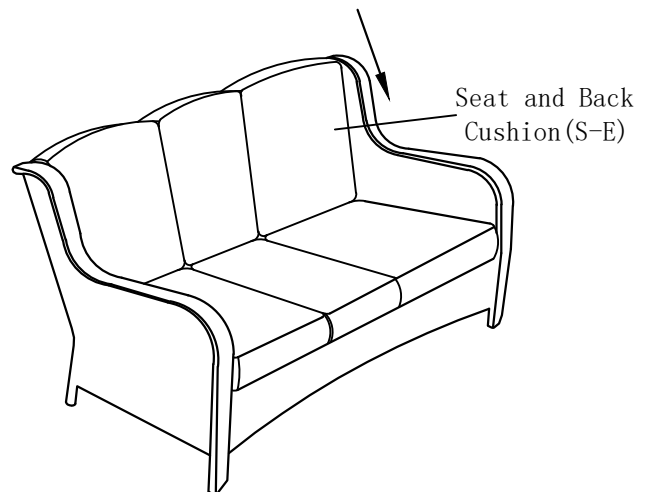
STEP 4



STEP 5



FINISH

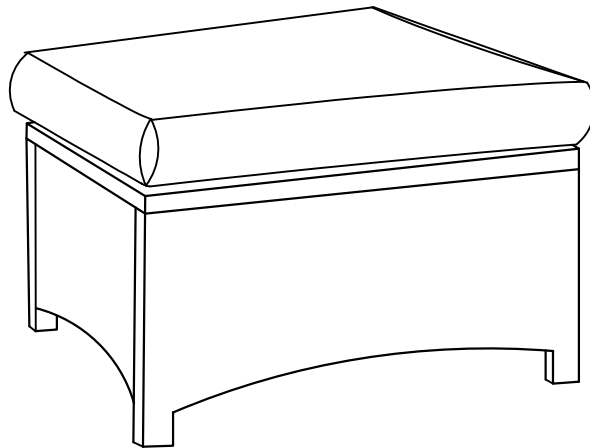


Please tap the cushions and wait 48 to 72 hours to fully rebound

Assembly Instruction








Advice:

1. Power tools are suggested to be used during installation.
2. More than one person may be required to assemble this product.
3. The best advice is not tightening up any screws until the whole piece is assembled. If having difficulty aligning holes, loosen the screws already installed and readjust the armrest.
4. To avoid mess-up or mismatch, please use the hardware of each box to install the furniture in the same box.

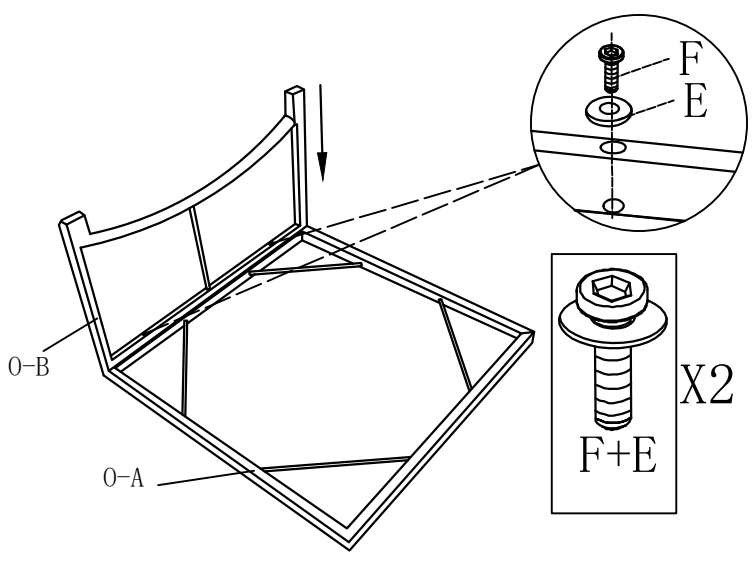


Ottoman

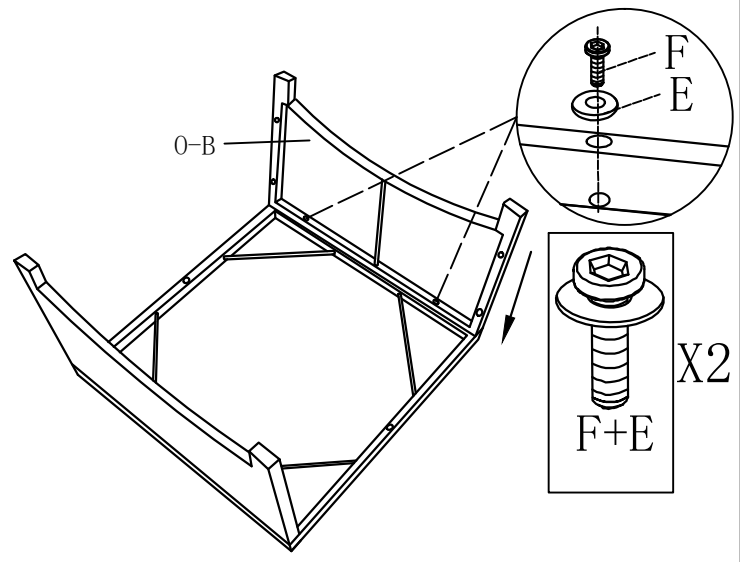
Parts List

Part Number	Picture	Description	QTY
0-A		Top Panel	1
0-B		Side Panel With legs	2
0-C		Side Panel Without Legs	2
0-D		Cushion	1
E		Washer (M6)	14
F		Screw (M6*35)	14
G		Allen Key	1

STEP 1

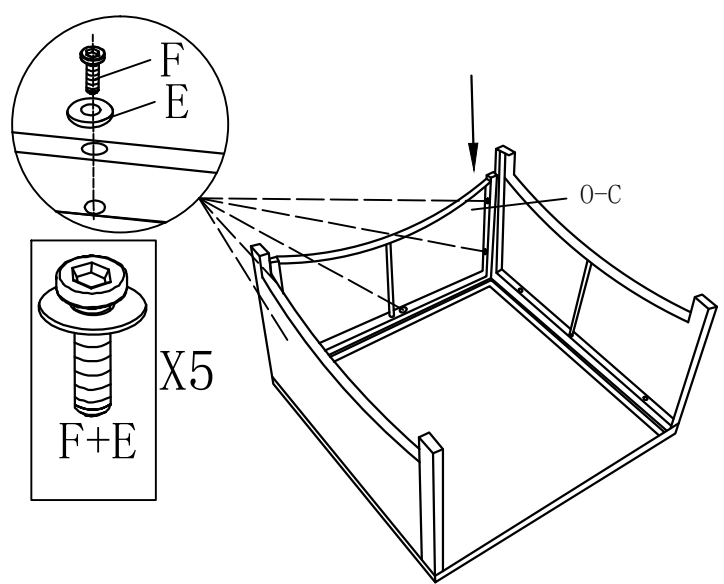


STEP 2

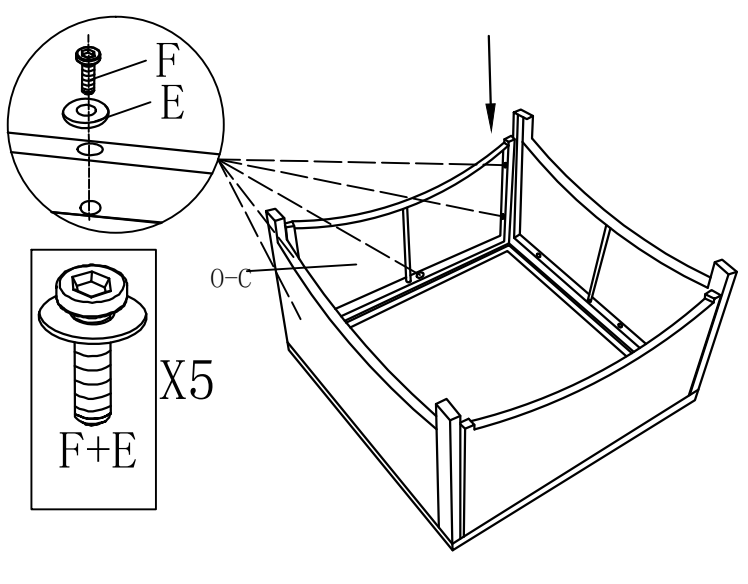


The best advice is not tightening up any screws until the whole piece is assembled.

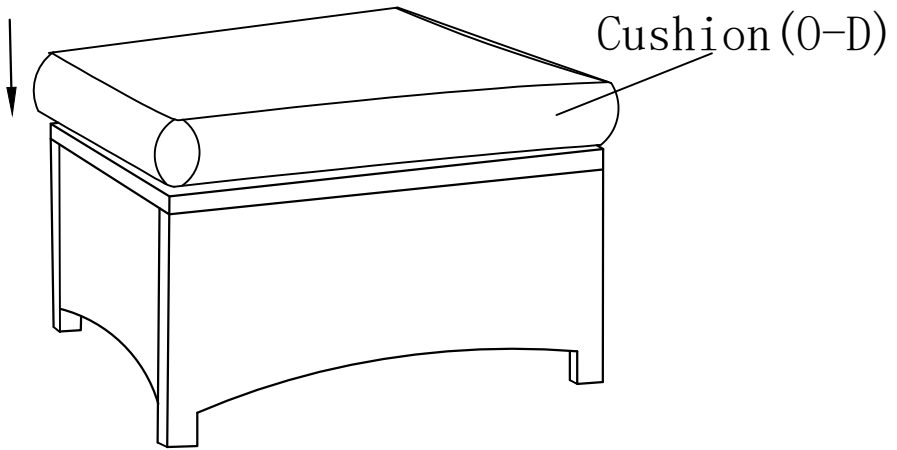
STEP 3



STEP 4



FINISH

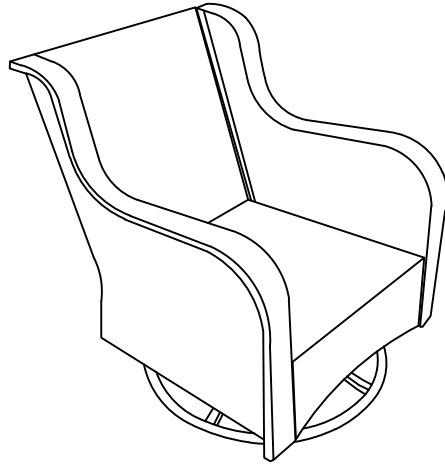


Please tap the cushions and wait 48 to 72 hours to fully rebound

Assembly Instruction









Advice:

1. Power tools are suggested to be used during installation.
2. More than one person may be required to assemble this product.
3. The best advice is not tightening up any screws until the whole piece is assembled. If having difficulty aligning holes, loosen the screws already installed and readjust the armrest.
4. To avoid mess-up or mismatch, please use the hardware of each box to install the furniture in the same box.

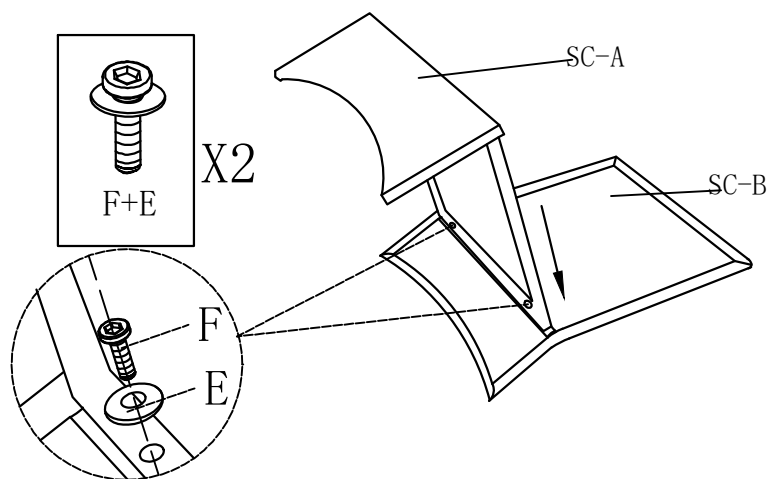


Single Swivel Chair

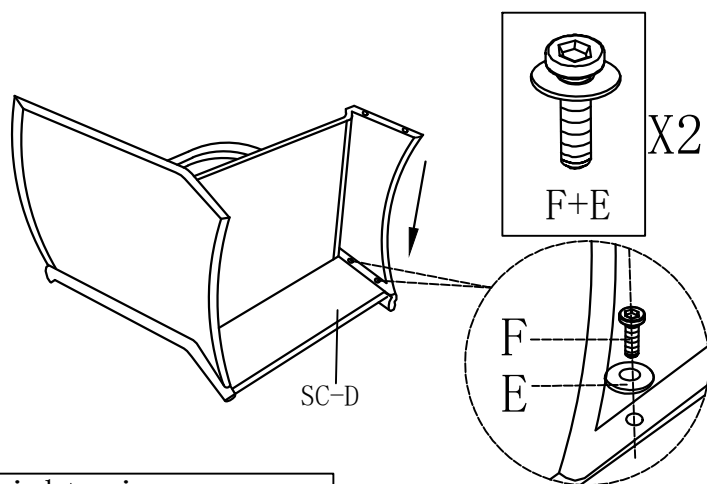
Parts List

Part Number	Picture	Description	QTY
SC-A		Chair Seat	1
SC-B		Chair Back	1
SC-C		Right Arm	1
SC-D		Left Arm	1
E		Washer (M6)	10
F		Screw (M6*35)	6
G		Screw (M6*45)	4
H		Allen Key	1

STEP 1

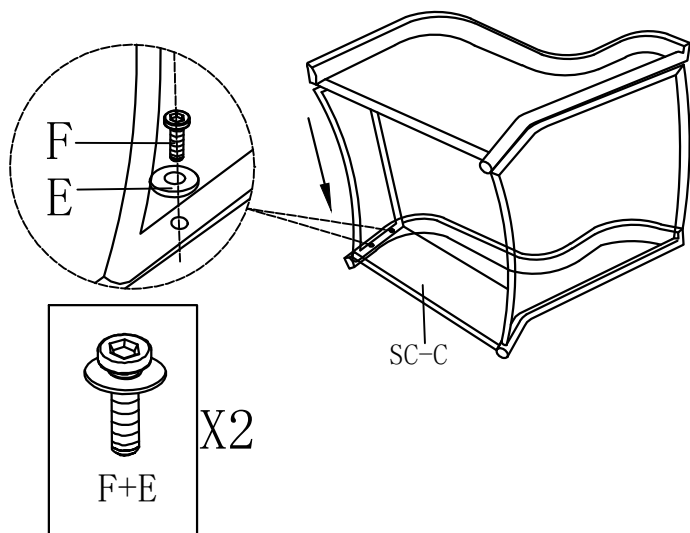


STEP 2

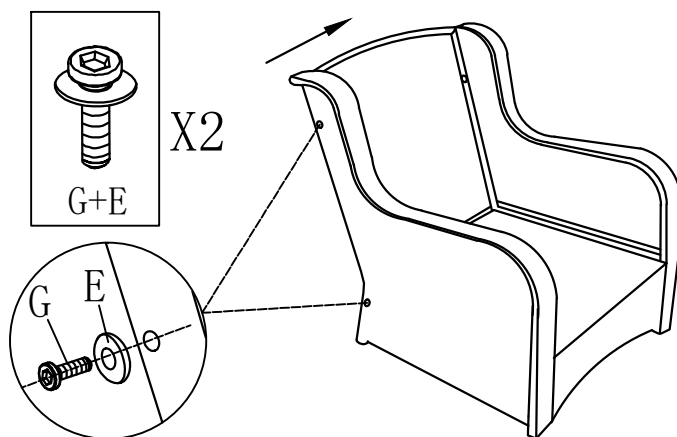


The best advice is not tightening up any screws until the whole piece is assembled.

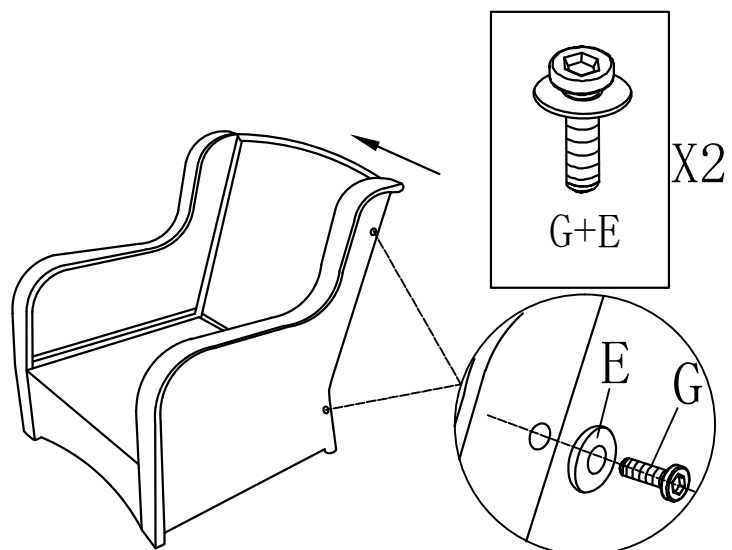
STEP 3



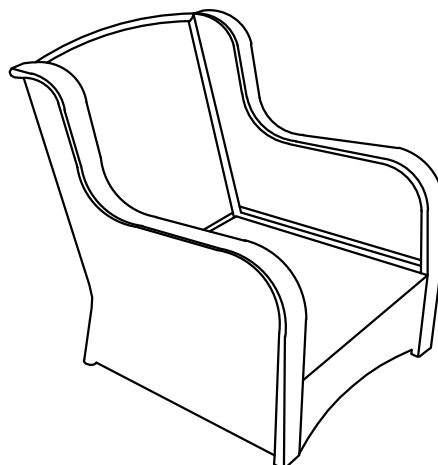
STEP 4



STEP 5



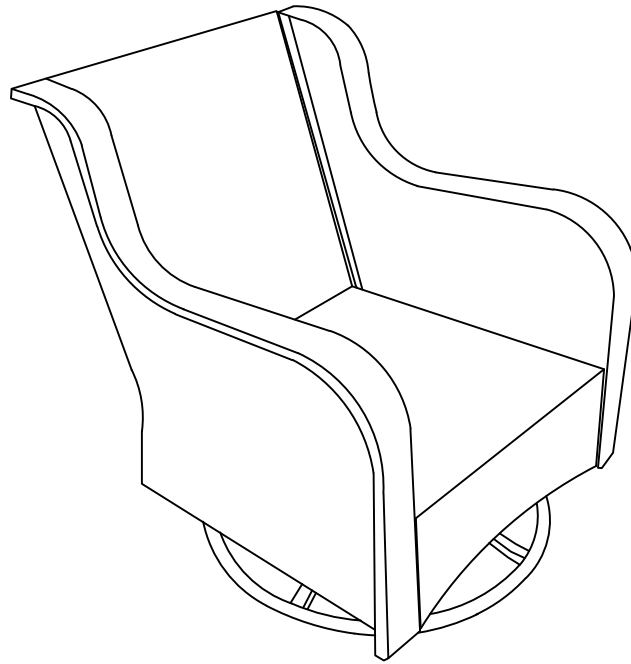
FINISH



Assembly Instruction

Advice:

1. Power tools are suggested to be used during installation.
2. More than one person may be required to assemble this product.
3. The best advice is not tightening up any screws until the whole piece is assembled. If having difficulty aligning holes, loosen the screws already installed and readjust the armrest.
4. To avoid mess-up or mismatch, please use the hardware of each box to install the furniture in the same box.



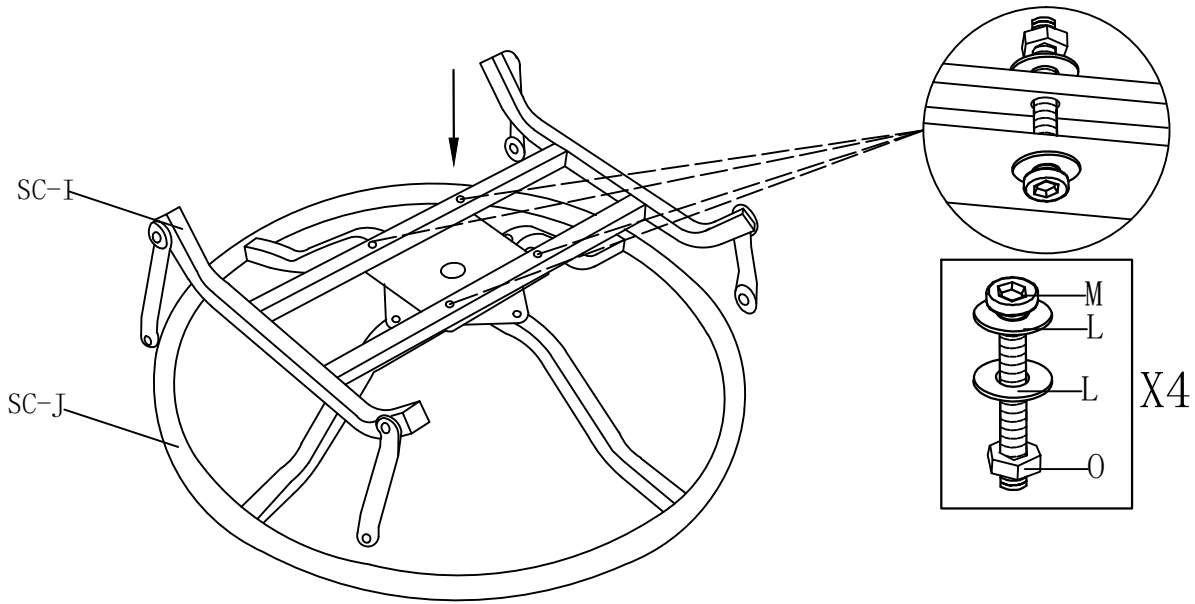
Single Swivel Chair

Parts List

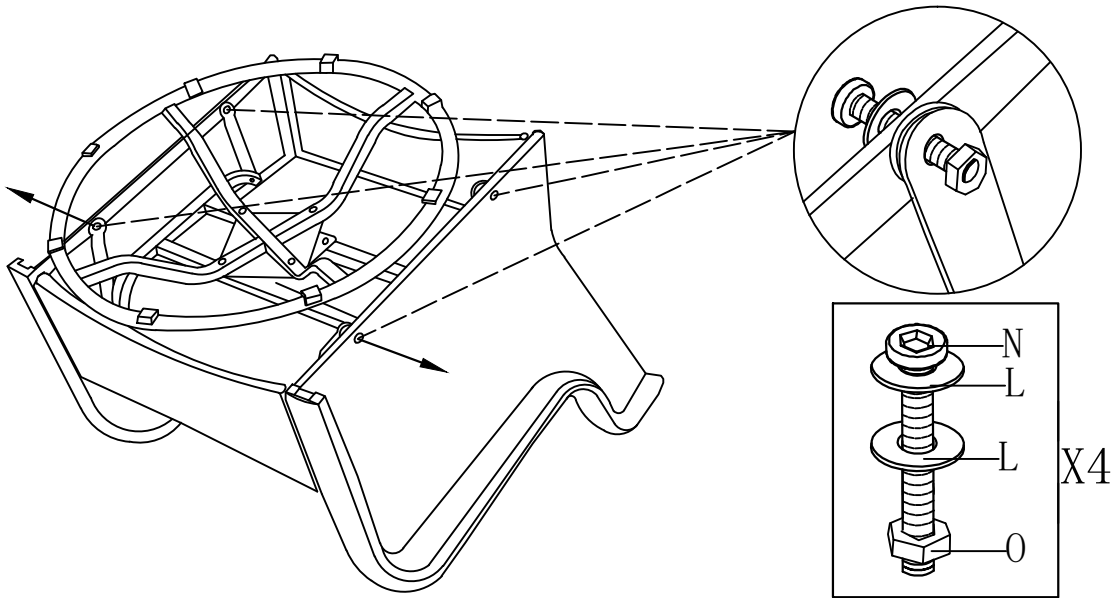
Part Number	Picture	Description	QTY
SC-I		Chair Base #1	1
SC-J		Chair Base #2	1
L		Washer (M6)	16
M		Screw (M6*35)	4
N		Screw (M6*45)	4

Part Number	Picture	Description	QTY
O		Nut (M6)	8
P		Allen Key	1
Q		Wrench (M6)	1
SC-R		Seat and Back Cushion	1

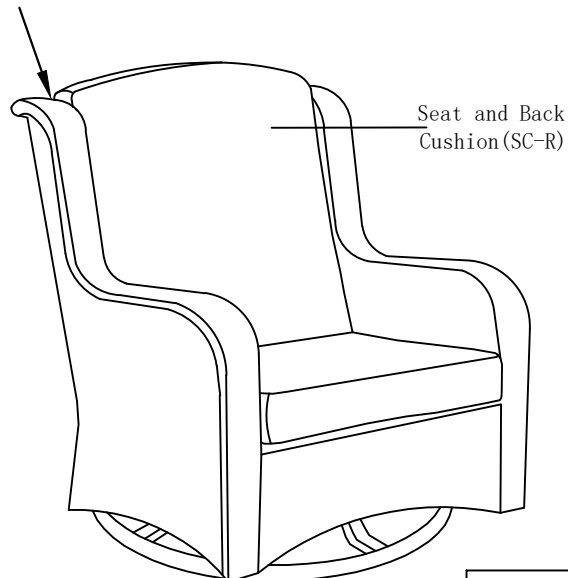
STEP 1



STEP 2



FINISH

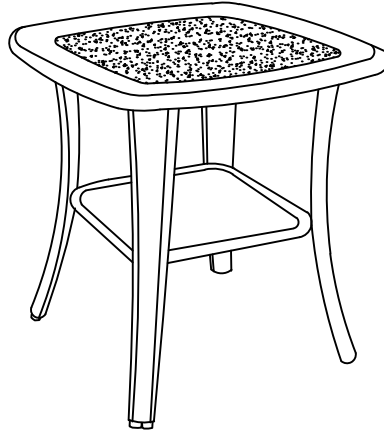


Please tap the cushions and wait 48 to 72 hours to fully rebound

Assembly Instruction


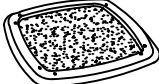




Advice:

1. Power tools are suggested to be used during installation.
2. More than one person may be required to assemble this product.
3. The best advice is not tightening up any screws until the whole piece is assembled. If having difficulty aligning holes, loosen the screws already installed and readjust the armrest.
4. To avoid mess-up or mismatch, please use the hardware of each box to install the furniture in the same box.

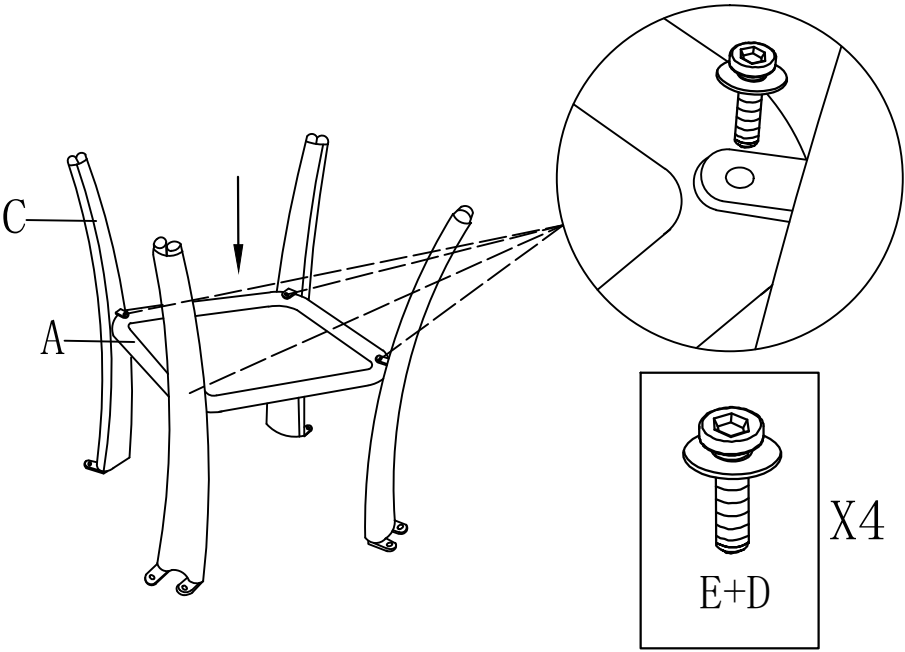


Side Table

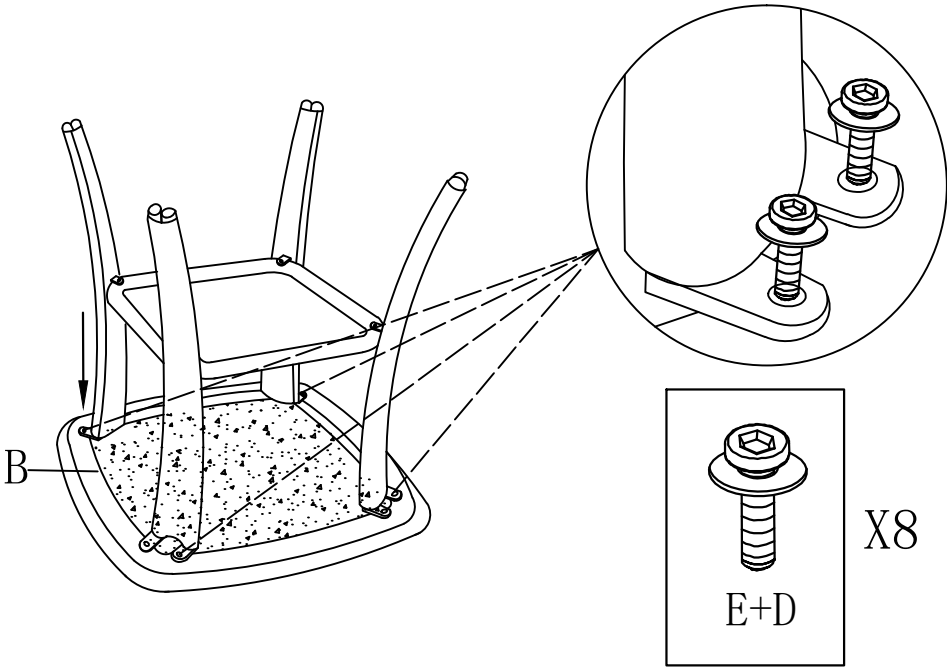
Parts List

Part Number	Picture	Description	QTY
A		Wicker Layer	1
B		Desktop	1
C		Table Leg	4
D		Washer (M6)	12
E		Screw (M6*16)	12
F		Allen Key	1

STEP 1



STEP 2



FINISH

