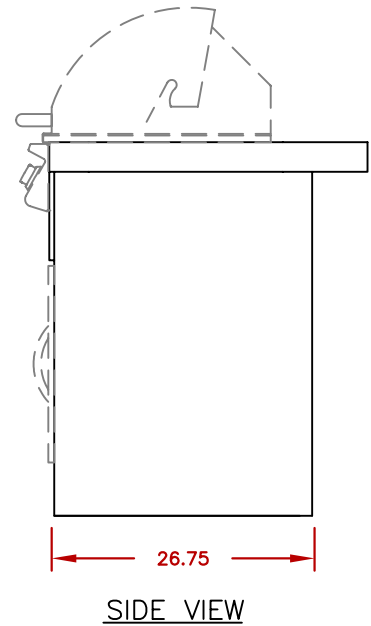
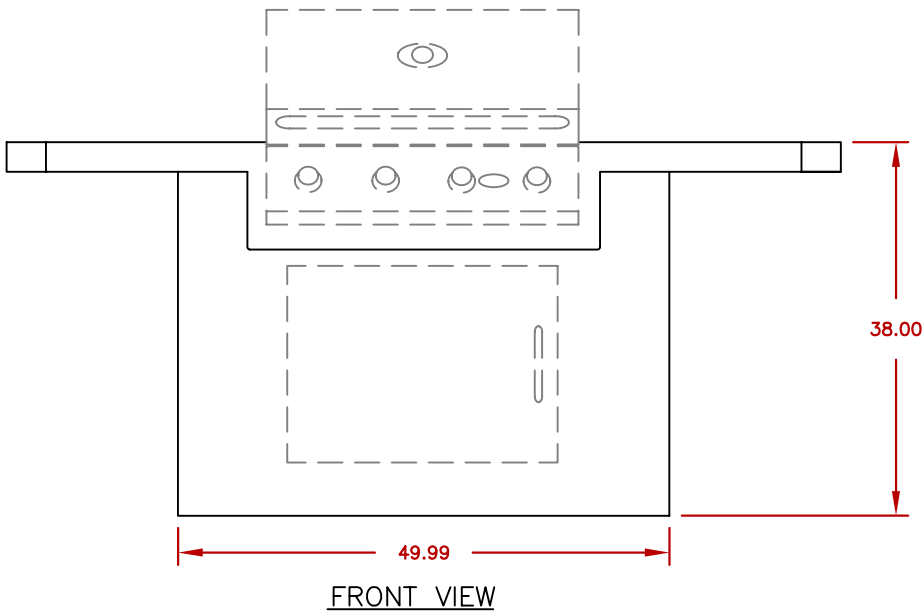
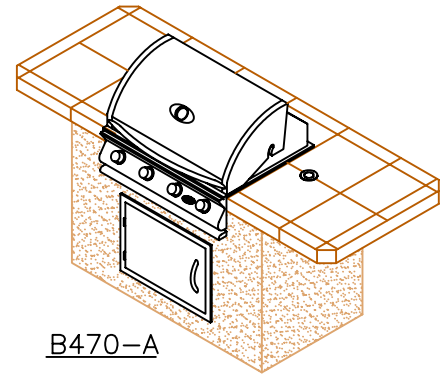
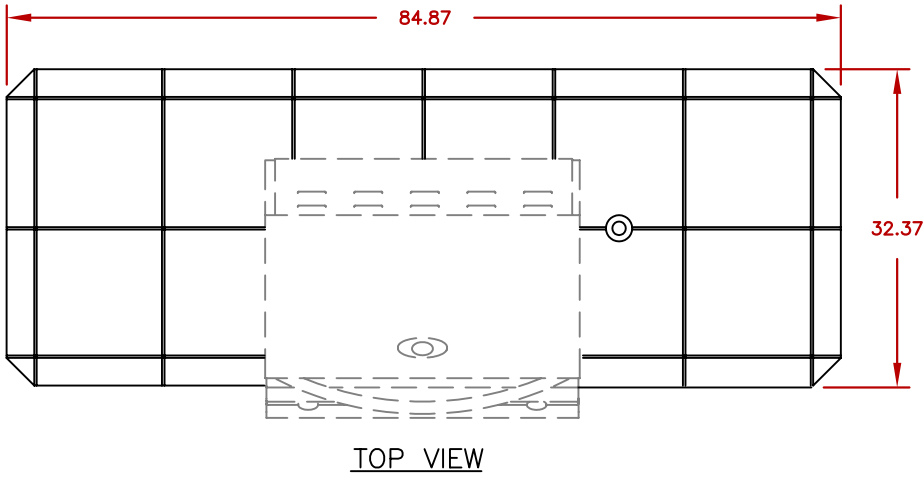


LINE	BBQ LINE
MODEL	B470-A
REF.	



### STANDARD FEATURES

QTY.	SYMB.	DESCRIPTION
-	(A)	PORCELAIN TILE 12 X 12 (FIELD) (BORDER)
-	(B)	AMERISTONE STUCCO
1	(D)	4 BURNER G4 LP
1	(F)	27" ACCESS DOOR
1	(U)	UMBRELLA HOLE



TITLE  
2016 BARBECUE LINE  
BISTRO SERIES  
B470-A

SCALE:

DWG NO.

DWG BY

G.GARCIA

REVISED

REV. DESCR.

DATE

2/5/16

NOTE:  
DUE TO OUR CONTINUOUS IMPROVEMENT PROGRAM, ALL MODELS  
AND SPECIFICATIONS ARE SUBJECT TO CHANGE WITHOUT NOTICE.