



Vortex[®] Dual

Refrigerant Recovery Machine

English · Español · Français · Deutsch · Italiano · Nederlands · Svenska · 中文



Table Of Contents

English

Vortex Dual Operating Manual 3

Español

Manual de funcionamiento de Vortex Dual 18

Français

Manuel d'utilisation Vortex Dual 35

Deutsch

Vortex Dual Betriebsanleitung 52

Italiano

Manuale Operativo Vortex Dual 69

Nederlands

Bedieningshandleiding voor Vortex Dual 86

Svenska

Användarhandbok för Vortex Dual 103

中文

Vortex Dual 操作手册 119

Table Of Contents

Safety First!	4
Product Safety	4
Responsibility	4
Trademarks	4
EPA Certification	5
Declaration of Conformity	5
1.0 Safety Precautions	6
2.0 Specifications, Features and Warranty	7
2.1 Vortex Dual Specifications	7
2.2 Warranty	8
3.0 Setup and Operation	8
3.1 Getting Started	8
3.2 Standard Recovery Operation	10
3.3 Purging Vortex Dual	11
3.4 Push-Pull Operation	12
3.5 Cooling The Recovery Tank	13
3.6 Special Operating Notes	14
4.0 Maintenance	14
5.0 Troubleshooting	14
6.0 Service	15
7.0 EPA Requirements (PN 714-202-G1 only)	16

Thank you for buying the INFICON Vortex® Dual Refrigerant Recovery Machine! For optimal Vortex Dual performance, read this manual carefully before use.

For additional questions or assistance, contact INFICON.

USA: +1.800.344.3304 or service.tools@inficon.com

Europe: +49 221 56788-660 or servicetools.europe@inficon.com

Safety First!



This symbol is intended to alert the presence of critical items regarding operating, safety and maintenance (servicing) instructions in this manual.

Product Safety

Vortex Dual is a recovery machine for a broad range of refrigerants. Recovering refrigerants into separate storage tanks involves a process of gas compression, resulting in high pressures within the machine, the connecting hoses, and the storage tank.



High pressure systems can cause accident or injury if not handled properly, and with care.

Refrigerant hoses must have shut-off devices within 30.5 cm (12 in.) of the ends, to reduce the likelihood of refrigerant leakage to the atmosphere when changing tanks or setups.

Responsibility



Do not use Vortex Dual unless properly trained in the recovery process. Operation of this machine by unqualified personnel is potentially dangerous.

Trademarks

The trademarks of the products mentioned in this manual are held by the companies that produce them.

Vortex®, Compass®, D-TEK® Select, TEK-Mate®, and Wey-TEK™ are trademarks of INFICON.

All other brand and product names are trademarks or registered trademarks of their respective companies.

The information contained in this manual is believed to be accurate and reliable. However, INFICON assumes no responsibility for its use and shall not be liable for any special, incidental, or consequential damages related to the use of this product.

© 2016 All rights reserved.

Reproduction or adaptation of any part of this manual without permission is unlawful.

EPA Certification

INFICON Vortex Dual (PN 714-202-G1 only) is an EPA Certified machine in accordance with Section 608 of the Clean Air Act. It has been independently tested and certified to conform with AHRI standard 740.



EU Declaration of Conformity

This declaration is issued under the sole responsibility of the manufacturer INFICON. The object of the declaration is to certify that this equipment, designed and manufactured by INFICON, is in conformity with the relevant Community harmonization legislation. It has been constructed in accordance with good engineering practice in safety matters in force in the Community and does not endanger the safety of persons, domestic animals or property when properly installed and maintained and used in applications for which it was made.

Equipment Description	Vortex Dual Refrigerant Recovery Machine
Model Number	714-202-Gxx (Applicable to all Group numbers)
Applicable Directives	2014/35/EU (LVD) 2014/30/EU (EMC) 2011/65/EU (RoHS)
Applicable Standards	EN 60335-1:2012/A11:2014 EN 55014-1:2006/A2:2011 / CISPR14-1:2005/A2:2011 EN 50581:2013
CE Implementation Date	April 20, 2016



Manufacturer Representative
 Brian King
 INFICON
 Business Line Manager – Service Tools
 Two Technology Place
 East Syracuse, NY USA 13057

EU Authorized Representative
 INFICON GmbH
 50968 Köln, Bonner Str. 498

Any questions relative to this declaration or to the safety of INFICON's products should be directed, in writing to the quality assurance department at the above address.

1.0 Safety Precautions

Read this manual before using Vortex Dual to become familiar with its specifications and operation. Review the Material Safety Data Sheets (MSDS) and the Temperature - Vapor Pressure information for the proper safety and handling requirements regarding the refrigerants being recovered.



Wear gloves, eye protection and foot protection when working on refrigeration systems.



Refrigerant vapor can be hazardous and its by products can be lethal.



Motors and switches can generate sparks and can be especially dangerous in flammable environments. Work only in well-ventilated areas, with mechanical ventilation that provides at least four air change rates per hour. Do not work in an enclosed area without appropriate safety equipment. It may be necessary to install a separate circulation fan.



Never use oxygen for leak detection. Oxygen can become an explosive mixture in the presence of oil and pressure. Perform leak detection in accordance with recommended practice only. For best results, use a refrigerant detector, such as INFICON D-TEK Select, Compass, or TEK-Mate.



Never mix refrigerants. Use separate storage cylinders, hoses, and filters for each type of refrigerant recovered. Store refrigerants in a cool, dry place.



Never overfill a storage container. Overfilled tanks can rupture and explode. Use a refrigerant scale such as INFICON Wey-TEK to prevent overfill.



When opening service or cylinder valves, do so slowly, to ensure all connections are secure and free of danger.




Disconnect power before moving or servicing Vortex Dual.





The risk of electric shock and exposure to hot compressor parts is possible if the Vortex Dual covers are removed. Vortex Dual should only be opened by a qualified technician who has been trained in basic electronics and refrigeration.



Use only the power cord supplied by INFICON. If the cord is lost or damaged, contact INFICON for information on obtaining a replacement.

 When connected to Vortex Dual, extension cord wiring can overheat under conditions of high current draw. If an extension cord is necessary, use the shortest possible length and only size 14 AWG or larger for 115 V (ac) or 1.00 mm² or larger for 230 V (ac).

 Do not use Vortex Dual near open containers of gasoline or other flammable liquids.

 This product is designed for use with refrigerants only and is not intended for use with any combustible refrigerants. Any other uses of this product are not recommended by INFICON and could result in personal injury. Use of this product other than intended is done at the user's own risk.

2.0 Specifications, Features and Warranty

2.1 Vortex Dual Specifications

Refrigerants	R-12, R-1234yf, R-134a, R-22, R-401A, R-401B, R-401C, R-402A, R-402B, R-404A, R-407A, R-407B, R-407C, R-408A, R-409A, R-410A, R-500, R-502, R-507
Power	115 V (ac), 60 Hz, 12 A, or 230 V (ac), 50/60 Hz, 10A (depending on version)
Protection	High pressure switch cutoff at 550 PSI, 3.8 MPa, 38 bar Compressor motor thermally protected
Pressure	Low side design pressure 350 PSI, 2.4 MPa, 24 bar High side design pressure 550 PSI, 3.8 MPa, 38 bar
Temperature	Operating range 10 to 40°C (50 to 104°F)
Pollution degree	2
Ingress protection	IP20
EPA Certification (PN 714-202-G1 only)	Certified for all refrigerants listed under categories III, IV, & V in ARI standard 740-1998

2.2 Warranty

INFICON warrants the Vortex Dual Refrigerant Recovery Machine to be free from defects of materials or workmanship for three years from the date of purchase. INFICON does not warrant any machine that has been subjected to misuse, negligence, or accident, or has been repaired or altered by anyone other than INFICON.

The compressor is warranted for a period of three years by the manufacturer. To keep this warranty in force, a filter (included) must be used on the inlet port or hose at all times to prevent particulates from entering the compressor. *Failure to use the included filter will void the compressor warranty.*

INFICON liability is limited to repairing or replacing, at its option, a defective machine or part. If a defect arises, a valid claim must be received by INFICON, with transportation prepaid, no later than thirty (30) days after the warranty period expires. INFICON will determine whether the machine has malfunctioned due to defective materials or workmanship.

This warranty is in lieu of all other warranties, expressed or implied, whether of merchantability, fitness for a particular purpose, or otherwise. All such other warranties are expressly disclaimed.

INFICON shall have no liability in excess of the price paid to INFICON for Vortex Dual, plus return transportation charges prepaid. INFICON shall have no liability for any incidental or consequential damages. All such liabilities are excluded.

3.0 Setup and Operation

3.1 Getting Started

Review the full contents of this manual before operating Vortex Dual.



Failure to follow proper safety precautions can result in personal injury or death. Do not use Vortex Dual unless properly trained in the recovery process.

- 1 Install the included filter on the inlet. Vortex Dual has a female refrigerant flare fitting, and connects with male flare fittings.
- 2 Attach the hoses to the filter.



Do not use an adapter fitting in place of a filter. Use of an adapter fitting can damage the valves and will void the warranty.

- 3 Attach a hose from the discharge valve to the recovery tank. Connect other hoses between system components, according to [Figure 1 on page 10](#).

- 4** Connect the AC power cord to a circuit protected by an appropriately sized circuit breaker. If an extension cord is absolutely necessary, make sure it meets the following conditions:
- ◆ length is not excessive
 - ◆ contains a safety ground wire
 - ◆ wire size 14 AWG or larger for 115 V (ac) or 1.0 mm² or larger for 230 V (ac)



Overfilled tanks can rupture and explode. When operating in standard recovery or push-pull mode, it is possible to overfill the tank. Use a refrigerant scale to ensure that the tank does not exceed 80% of its capacity, by weight. Check the tank weight before transporting.



Do not allow Vortex Dual to recover large amounts of liquid too quickly.

NOTE: When a significant amount of liquid is present and enters the recovery machine too quickly during the refrigerant recovery process, this is sometimes referred to in the field as a "liquid slug" or "slugging."

A liquid slug can activate the High Pressure shutoff and prolong the refrigerant recovery process. If Vortex Dual recovers large amounts of liquid too quickly (or a liquid slug is present), a loud knocking will sound from the compressor.



Compressor damage caused by recovering a large amount of liquid too quickly is not covered by the compressor warranty.

Monitor the recovery process carefully. If the compressor begins to knock:

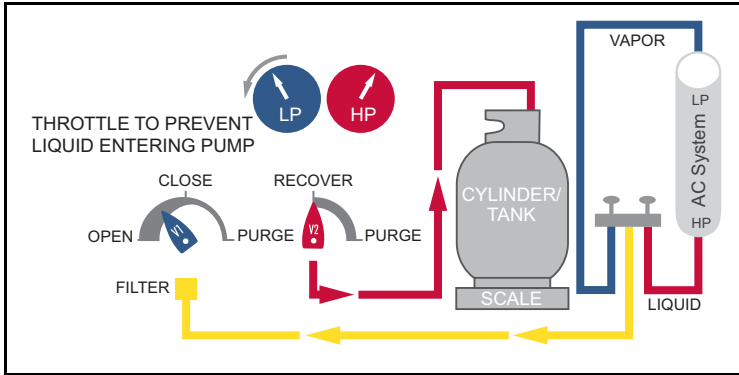
- ◆ throttle the **INLET** valve clockwise, or
- ◆ adjust the **MANIFOLD** gauge valves until the knocking stops.

3.2 Standard Recovery Operation


- 1 Connect all cables and hoses as described in [section 3.1](#).

NOTE: Make sure all connections are tight, and that the cables and hoses do not interfere with recovery process. See [Figure 1](#).

Figure 1 Setup procedure for standard refrigerant recovery



- 2 Make sure the hose connecting Vortex Dual to the recovery tank is attached to the **LIQUID** port (**LP**).
- 3 **OPEN** the **LP** valve on the tank. Keep the **VAPOR** port **CLOSED**.
- 4 Rotate the **INLET** valve (**V1**) to **CLOSE**.
- 5 Set the **PURGE/RECOVER** valve (**V2**) to the **RECOVER** position.
- 6 Slowly rotate the **LIQUID** valve on the **MANIFOLD** gauge set to **OPEN**. Make sure there are no leaks.
- 7 Turn on Vortex Dual.
- 8 Monitor the inlet pressure (**LP**, Low Pressure gauge) and *slowly* rotate the **INLET** valve (**V1**) to **OPEN**.

 The compressor may emit a knocking sound if Vortex Dual attempts to recover a significant amount of liquid. To prevent damage to the compressor, throttle the **LIQUID** valve on the **MANIFOLD** gauge set, or the Vortex Dual **INLET** valve (**V1**).
- 9 Once the liquid has been recovered, transfer the remaining vapor; rotate the **INLET** valve (**V1**) to **OPEN**. Make sure the **LIQUID** and **VAPOR** valves on the **MANIFOLD** gauge are **OPEN**.

10 Continue to operate until the **LP** gauge indicates the required vacuum has been obtained.

11 Turn off Vortex Dual and close the **INLET** valve (**V1**). Wait five minutes.

If the **MANIFOLD** gauge indicates pressure has risen above **0 PSIG** (0 bar), refrigerant is still present.

- ♦ Open the **INLET** valve (**V1**) and turn on Vortex Dual.
- ♦ Run Vortex Dual until the required vacuum is reached again.
- ♦ Wait five minutes. Repeat this process until all refrigerant is removed and pressure is **0 PSIG** (0 bar), or less.

12 Immediately purge Vortex Dual. Purging is necessary to remove any residual refrigerant from inside Vortex Dual internal components as well as the hose from the outlet to the recovery tank. See [section 3.3](#).

3.3 Purging Vortex Dual

- 1** While Vortex Dual is off, rotate the **PURGE/RECOVER** valve (**V2**) to **PURGE**. See [Figure 2](#).
- 2** Turn on Vortex Dual and *slowly* rotate the **INLET** valve (**V1**) to **PURGE**.
- 3** Run Vortex Dual and monitor the **LP** gauge until a vacuum of **20 In/Hg** (0.7 bar) or more is achieved.
- 4** Turn off Vortex Dual and *immediately* close the valves on the recovery tank. Rotate the inlet valve (**V1**) to **CLOSE**.


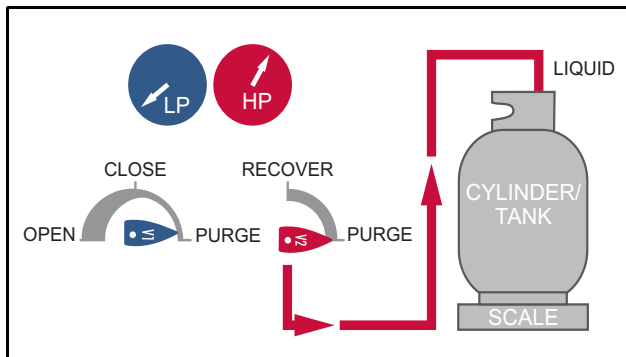
 The hose and the discharge port will contain a small amount of pressurized refrigerant. Exercise care when removing this hose.

Figure 2 Setup procedure for purging



3.4 Push-Pull Operation

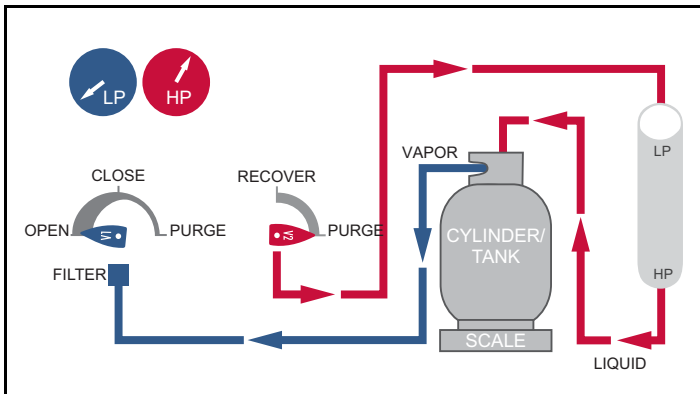
The push-pull recovery method is used to move large amounts of liquid refrigerant. During this process, the recovery unit pulls vapor from the recovery cylinder and produces high pressure discharge gas that pushes liquid out of the HVAC system and back into the recovery cylinder. Recovery rates above 15 pounds per minute can be achieved when using this procedure.

NOTE: Do not attempt the push-pull process unless the system contains at least 15 pounds (7 Kg) of liquid that can easily be isolated.

To prevent overflow, use the scale to make sure the tank does not surpass 80% capacity, by weight. Monitor the tank weight carefully as 80% capacity may be reached quickly during push-pull due to its rapid transfer.

Connect the refrigerant hoses (see [Figure 3](#)). A sight glass, not included, can help determine when the liquid has been transferred and vapor remains.

Figure 3 Setup procedure for push-pull method



3.5 Cooling The Recovery Tank

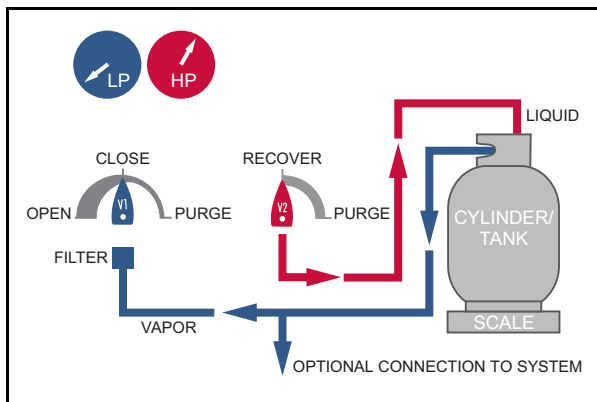
Vortex Dual can be used to pre-cool (or sub-cool) the recovery tank, if the head pressure is too high to complete the recovery process. If the ambient pressure is too high, high head pressure can occur when working with certain refrigerants that have a high vapor pressure.

NOTE: The recovery tank must contain five pounds or more of liquid, to allow the pressure differential to develop.

Sub-cooling the tank before starting the recovery process may provide little or no benefit.

If the recovery process stalls because of high head pressure, turn off Vortex Dual, close the hose valves, and reconfigure the setup as shown in [Figure 4](#).

Figure 4 Setup procedure for sub-cooling method



- 1 Rotate **V2** on the Vortex Dual to **RECOVER** and open the **LIQUID** and **VAPOR** valves on the cylinder.
- 2 Turn on Vortex Dual.
- 3 Rotate **V1** on Vortex Dual to **OPEN**.
- 4 On the cylinder, throttle the flow of liquid by slowly closing the **LIQUID** valve to achieve a minimum pressure differential of **100 PSIG** (0.7 MPa, 7 bar) between the LP and the HP gauges.

NOTE: To prevent the HP cutoff switch from actuating, do not allow the HP gauge to exceed **550 PSIG** (3.8 MPa, 38 bar).

- 5 Once the recovery tank is cold, turn off Vortex Dual and reconfigure the setup for standard recovery. Repeat as needed.

3.6 Special Operating Notes

During standard operation, the High Pressure switch will reset when the head pressure drops below approximately 425 PSI (2.9 MPa, 29 bar), and Vortex Dual will restart automatically.

4.0 Maintenance

With minimal but important maintenance, Vortex Dual can provide many seasons of reliable service. After each use, clean Vortex Dual with a damp cloth to remove dirt and oils.



Do not use gasoline or other hazardous solvents to clean Vortex Dual; this can damage the plastic enclosure. Standard household detergent or isopropyl alcohol may be used, but do not allow liquid to penetrate the outer case.

Make sure the inlet and discharge ports are protected during transit and storage; keep the inner diameter and the outer threads clear and clean.

NOTE: For best results, leave the filter connected to the inlet port, and change the filter regularly.

5.0 Troubleshooting

PROBLEM	CAUSE	ACTION
Vortex Dual will not turn on; compressor does not start	<ol style="list-style-type: none"> 1. Power cord is not attached 2. No voltage at receptacle 3. Circuit breaker has opened 4. Discharge pressure is too high; HP switch has opened 5. Electronics failure in motor 	<ol style="list-style-type: none"> 1. Attach power cord 2. Verify voltage at job site 3. Identify cause of breaker activation, rectify and reset 4. Reduce pressure; rotate V2 to Purge, then back to Recovery 5. Factory service required
Compressor starts, but falters within minutes; pressure indication on HP gauge is high	<ol style="list-style-type: none"> 1. Recovery tank valve is not open 2. Discharge hose blocked 3. Air in system/tank 	<ol style="list-style-type: none"> 1. Open tank valve 2. Check and clear blockage 3. Bleed air from system/tank

PROBLEM	CAUSE	ACTION
Compressor stops intermittently	<ol style="list-style-type: none"> 1. Vapor pressure of refrigerant in tank is close to HP trip point 2. Thermal overload switch in compressor is activating 	<ol style="list-style-type: none"> 1. Reduce tank temperature 2. Reduce amount of liquid being pumped; let machine cool before proceeding
Vortex Dual overheats	<p>Excessive head pressure, due to:</p> <ol style="list-style-type: none"> 1. High ambient temperature 2. Restricted discharge hose 3. Air in recovery tank 	<ol style="list-style-type: none"> 1. Reduce tank temperature 2. Check and clear restriction 3. Bleed air from tank
Recovery process too slow	<ol style="list-style-type: none"> 1. Head pressure is too high 2. System refrigerant is frozen 3. Compressor seals are worn 	<ol style="list-style-type: none"> 1. Reduce tank temperature or change tanks 2. Interrupt process to allow ice to dissipate 3. Rebuild compressor with service kit — contact wholesaler for assistance

6.0 Service

Vortex Dual uses electrical components recognized by international safety agencies or components that have been specially designed for this application.



Do not change any of these components, as it could compromise safety. All service work must be performed at an INFICON-approved facility to maintain the safety rating and the warranty.

If defective, do not return Vortex Dual directly to the factory. For technical assistance or service information, contact INFICON or your wholesaler.

7.0 Replacement Parts and Accessories

The following parts and accessories are available through many distributors. Contact INFICON or your local distributor for availability.

Power cord (115 V)	068-0684
Power cord (230 V)	068-0685
Low pressure gauge	722-406-P1
High pressure gauge.	722-407-P1
Carrying strap	722-408-P1
Filter dryer (1/4 in. male to male)	722-409-P1

8.0 EPA Requirements (PN 714-202-G1 only)

Under Section 608 of the Clean Air Act (40 CFR Part 82), the Environmental Protection Agency (EPA) has established regulations that cover all aspects of the refrigerant recovery process.

These regulations have established service practices that maximize the recycling of ozone-depleting compounds during the servicing and disposal of air-conditioning and refrigeration equipment.

Certification requirements for recovery equipment and technicians have also been established. The INFICON Vortex Dual has been EPA Certified for use by an independent laboratory.

The EPA has also established Evacuation Requirements for HVAC/R equipment used for service, to ensure that any release of CFCs or HCFCs to the atmosphere is minimized.

- ◆ Technicians repairing small appliances such as household refrigerators, window air conditioners and water coolers, must recover 80% of the refrigerant when the compressor in the appliance is not operating.
- ◆ Technicians repairing small appliances must recover 90% of the refrigerant when the compressor in the appliance is operating.

NOTE: These requirements may also be met by evacuating the small appliance with the recovery machine to four inches of mercury vacuum.

Other requirements are covered in [Table 7-1](#).

Table 7-1 EPA Requirements

TYPE OF APPLIANCE	REQUIRED INCHES OF HG VACUUM
HCFC-22 appliance generally containing less than 200 pounds of refrigerant	0
HCFC-22 appliance generally containing 200 pounds or more of refrigerant	10
Other high pressure appliance generally containing less than 200 pounds of refrigerant	10
Other high pressure appliance generally containing 200 pounds or more of refrigerant	15
Very high pressure appliance (CFC-13, -503)	0
Low Pressure appliance (CFC-11, HCFC-123)	25*

*mm Hg absolute

The EPA requires that service technicians certify the acquired recovery equipment to the appropriate EPA Regional Office, and that it is in compliance with the applicable laws established by the Clean Air Act. Forms are available from the Regional Office of the EPA.

Questions about the EPA requirements can be answered by contacting the Ozone Protection Hotline, toll free, at +1.800.296.1996.

Normas de seguridad	19
Seguridad del producto	19
Responsabilidad	19
Marcas comerciales	19
Certificación de la EPA	20
Declaración de conformidad	20
1.0 Precauciones de seguridad	21
2.0 Especificaciones, funciones y garantía	22
2.1 Especificaciones de Vortex Dual	22
2.2 Garantía	23
3.0 Configuración y funcionamiento	23
3.1 Primeros pasos	23
3.2 Funcionamiento de la recuperación estándar	25
3.3 Purga de Vortex Dual	27
3.4 Funcionamiento del método push-pull	28
3.5 Refrigeración del depósito de recuperación	29
3.6 Notas sobre el funcionamiento especial	30
4.0 Mantenimiento	30
5.0 Resolución de problemas	31
6.0 Revisión	32
7.0 Requisitos de la EPA (PN 714-202-G1 solo)	33

Le agradecemos que haya comprado el Equipo de recuperación de refrigerante Vortex® Dual de INFICON®. Para conseguir un rendimiento óptimo de Vortex Dual, lea este manual detenidamente antes de usar el equipo.

Si tiene preguntas adicionales o necesita ayuda, póngase en contacto con INFICON.

Estados Unidos: +1 800 344 3304 / service.tools@inficon.com

Europa: +49 221 56788 660 / servicetools.europe@inficon.com

Normas de seguridad



El objetivo de este símbolo consiste en advertir al usuario de la existencia de aspectos importantes relacionados con las instrucciones de mantenimiento (revisión), seguridad y funcionamiento de este manual.

Seguridad del producto

Vortex Dual es un equipo de recuperación para una amplia gama de refrigerantes. La recuperación de refrigerantes en depósitos de almacenamiento independientes implica un proceso de compresión de gas que provoca altas presiones en el equipo, las mangueras de conexión y el depósito de almacenamiento.



Los sistemas de alta presión pueden provocar accidentes o lesiones si no se manipulan correctamente y con cuidado.

Las mangueras refrigerantes deben incluir dispositivos de parada a unos 30,5 cm (12 pulgadas) de los extremos para reducir la probabilidad de fuga de refrigerante a la atmósfera al cambiar los depósitos o las configuraciones.

Responsabilidad



No utilice Vortex Dual a menos que haya recibido la formación adecuada en el proceso de recuperación. El uso de este equipo por parte de personal que no esté cualificado puede ser peligroso.

Marcas comerciales

Las marcas comerciales de los productos que aparecen en este manual son propiedad de las empresas que los fabrican.

INFICON®, Vortex®, Compass®, D-TEK® Select, TEK-Mate® y Wey-TEK™ son marcas comerciales de INFICON.

El resto de nombres de productos y marcas son marcas comerciales o marcas comerciales registradas de sus respectivas empresas.

La información que aparece en este manual es precisa y fiable. No obstante, INFICON no asume ninguna responsabilidad por su utilización ni será responsable de los posibles daños derivados, fortuitos o especiales relacionados con el uso de este producto.

© 2016 Todos los derechos reservados.

La reproducción o adaptación de cualquier parte de este manual sin permiso es ilegal.

Certificación de la EPA

INFICON Vortex Dual (PN 714-202-G1 solo) es un equipo certificado por la EPA de conformidad con la sección 608 de la ley estadounidense de aire limpio (Clean Air Act). Asimismo, se ha probado y certificado de forma independiente para cumplir la norma ARI 740 de Intertek.



Español

DECLARACIÓN DE CONFORMIDAD UE

Esta declaración se publica bajo la responsabilidad exclusiva del fabricante INFICON. El objeto de la declaración es certificar que este equipo, diseñado y fabricado por INFICON, es conforme a la legislación comunitaria armonizadora relevante. Se ha fabricado de acuerdo con buenas prácticas de ingeniería en cuestiones de seguridad vigentes en la Comunidad y no representa un peligro para la seguridad de personas, animales domésticos o propiedades siempre que se instale y se mantenga adecuadamente y se use para las aplicaciones para las que está destinado.

Descripción del equipo	Equipo de recuperación de refrigerante Vortex Dual
Número de modelo	714-202-Gxx (Aplicable a todos los números de grupo)
Directrices aplicables	2014/35/UE (LVD) 2014/30/UE (EMC) 2011/65/UE (RoHS)
Normas aplicables	EN 60335-1:2012/A11:2014 EN 55014-1:2006/A2:2011 / CISPR14-1:2005/A2:2011 EN 50581:2013
Fecha de implantación de la CE	20 de Abril de 2016



Representante del fabricante
Brian King
INFICON
Business Line Manager – Service Tools
Two Technology Place
East Syracuse, NY USA 13057

Representante autorizado UE
INFICON GmbH
50968 Köln, Bonner Str. 498

Toda pregunta relacionada con esta declaración o con la seguridad de los productos INFICON debe dirigirse, por escrito, al departamento de control de calidad a la dirección indicada más arriba.

1.0 Precauciones de seguridad

Lea este manual antes de utilizar Vortex Dual para familiarizarse con sus especificaciones y su funcionamiento. Revise las hojas de datos sobre la seguridad de materiales (MSDS) y la información sobre temperatura y presión de vapor para conocer los requisitos de manipulación y seguridad adecuados con relación a los refrigerantes que se van a recuperar.



Use guantes, gafas protectoras y calzado de seguridad cuando trabaje con sistemas de refrigeración.



El vapor refrigerante puede ser peligroso y su inhalación a través de los productos puede ser letal.



Los motores y conmutadores pueden generar chispas y ser especialmente peligrosos en entornos inflamables. Trabaje solo en zonas que estén bien ventiladas, con ventilación mecánica que proporcione al menos cuatro renovaciones de aire por hora. No trabaje en un área cerrada sin el equipo de seguridad adecuado. Puede ser necesario instalar un ventilador de circulación independiente.



No utilice nunca oxígeno para la detección de fugas. El oxígeno se puede convertir en una mezcla explosiva en presencia de combustible y presión. Realice una detección de fugas de conformidad únicamente con la práctica recomendada. Para obtener mejores resultados, utilice un detector de refrigerante como, por ejemplo, INFICON D-TEK Select, Compass o TEK-Mate.



No mezcle nunca los refrigerantes. Utilice filtros, mangueras y cilindros de almacenamiento independientes para cada tipo de refrigerante recuperado. Almacene los refrigerantes en un lugar frío y seco.



No llene nunca el contenedor de almacenamiento en exceso. Los depósitos llenados en exceso pueden romperse y explotar. Utilice una balanza para refrigerante como, por ejemplo, INFICON Wey-TEK, para evitar el llenado excesivo.



Al abrir válvulas de cilindro o de mantenimiento, hágalo lentamente para garantizar que todas las conexiones estén bien sujetas y fuera de peligro.



Desconecte la electricidad antes de mover Vortex Dual o realizar tareas de mantenimiento en el equipo.



Si se retiran las cubiertas de Vortex Dual, puede existir el riesgo de descarga eléctrica y de exposición a las piezas calientes del compresor. Vortex Dual solo debe abrirse por un técnico cualificado que haya recibido formación en electrónica básica y refrigeración.



Utilice únicamente el cable de alimentación proporcionado por INFICON. Si el cable se ha perdido o ha sufrido daños, póngase en contacto con INFICON para obtener información sobre cómo solicitar uno de recambio.



Al conectarse a Vortex Dual, los cables de extensión pueden sobrecalentarse en condiciones de consumo alto de corriente. Si es necesario utilizar un cable de extensión, utilice el que tenga la longitud más corta posible y un calibre mínimo de 14 AWG para una corriente de 115 V (CA) o de 1 mm² para una corriente de 230 V (CA).



No utilice Vortex Dual cerca de contenedores abiertos de gasolina u otros líquidos inflamables.



Este producto está concebido para su uso exclusivo con refrigerantes y no esta pensado para ser usado con refrigerantes combustibles. INFICON no recomienda ningún otro uso para este producto, ya que podría provocar daños personales; el uso del producto en situaciones diferentes a las previstas queda bajo responsabilidad del usuario.

2.0 Especificaciones, funciones y garantía

2.1 Especificaciones de Vortex Dual

Refrigerantes	R-12, R-1234yf, R-134a, R-22, R-401A, R-401B, R-401C, R-402A, R-402B, R-404A, R-407A, R-407B, R-407C, R-408A, R-409A, R-410A, R-500, R-502, R-507
Alimentación.	115 V (ac), 60 Hz, 12 A o 230 V (ac), 50/60 Hz, 10 A (según la versión)
Protección.	Bloqueo del conmutador de alta presión en motor de compresor de 550 PSI (3.8 MPa, 38 Bar) con protección térmica
Presión	Presión de diseño lateral baja de 350 PSI, (2.4 MPa, 24 bar); Presión de diseño lateral alta de 550 PSI (3.8 MPa, 38 bar)
Temperatura	Intervalo de funcionamiento de 10 a 40 °C (de 50 a 104 °F)
Grado de contaminación	2
Protección frente a polvo y líquido.	IP20
Certificación por la EPA (PN 714-202-G1 solo)	Certificados para todos los refrigerantes incluidos en las categorías III, IV y V de la norma ARI 740-1998

2.2 Garantía

INFICON garantiza que el Equipo de recuperación de refrigerante Vortex Dual estará libre de cualquier defecto de fabricación o materiales durante un período de tres años a partir de la fecha de compra. INFICON no ofrece garantía para ningún equipo que se haya utilizado de forma indebida, que haya sido dañado por negligencia o accidente, o que haya sido reparado o alterado por cualquier persona ajena a INFICON.

El fabricante ofrece una garantía de tres años para el compresor. Para mantener vigente esta garantía, se debe utilizar un filtro (incluido) en la manguera o en el puerto de entrada en cualquier momento para evitar que las partículas entren en el compresor. *Si no se utiliza el filtro incluido, se anulará la garantía del compresor.*

La responsabilidad de INFICON se limita, según considere oportuno, a la reparación o sustitución del equipo o de la pieza defectuosos. Si se detecta un defecto, se debe enviar una reclamación válida a INFICON, con los gastos de transporte pagados previamente, en un plazo no superior a treinta (30) días desde la fecha de vencimiento de la garantía. INFICON determinará si los problemas de funcionamiento del equipo se deben a defectos en la fabricación o en los materiales.

Esta garantía sustituye a cualquier otra garantía, expresa o implícita, ya sea de comerciabilidad, adecuación a un fin específico o de cualquier otro tipo. Se renuncia expresamente a cualquier otra garantía de este tipo.

INFICON no asumirá ninguna responsabilidad superior al precio abonado a INFICON por Vortex Dual más los gastos de transporte para la devolución que se abonaron previamente. INFICON no asumirá ninguna responsabilidad por daños derivados o fortuitos. Se excluyen todas las responsabilidades de este tipo.

3.0 Configuración y funcionamiento

3.1 Primeros pasos

Revise el contenido completo de este manual antes de poner en funcionamiento Vortex Dual.



Si no se siguen correctamente las precauciones de seguridad, se pueden producir lesiones personales o incluso la muerte. No utilice Vortex Dual a menos que haya recibido la formación adecuada en el proceso de recuperación.

- 1** Instale el filtro incluido en la entrada. Vortex Dual incluye un adaptador hembra abocinado para refrigerante y se conecta a los adaptadores macho abocinados.
- 2** Conecte las mangueras al filtro.



No utilice un codo adaptador en lugar de un filtro. El uso de un codo adaptador puede dañar las válvulas y supondrá la anulación de la garantía.

- 3 Conecte una manguera desde la válvula de descarga hasta el depósito de recuperación. Conecte otras mangueras entre los componentes del sistema según se indica en la [Figura 1 en la página 25](#).
- 4 Conecte el cable de CA a un circuito protegido por un disyuntor de un tamaño adecuado. Si es absolutamente necesario utilizar un cable de extensión, asegúrese de que cumpla las siguientes condiciones:
 - ♦ Tiene la longitud adecuada.
 - ♦ Contiene un cable de toma a tierra de seguridad.
 - ♦ El cable tiene un calibre mínimo de 14 AWG para una corriente de 115 V (CA) o de 1,0 mm² para una corriente de 230 V (CA).



Los depósitos llenados en exceso pueden romperse y explotar. Si funciona en modo de recuperación estándar o push-pull, es posible llenar en exceso el depósito. Utilice una balanza para refrigerante para garantizar que el depósito no supera el 80% de su capacidad, por peso. Compruebe el peso del depósito antes de transportarlo.



No permita que Vortex Dual recupere grandes cantidades de líquido demasiado rápido.

NOTA: Cuando existe una cantidad importante de líquido que penetra en el equipo de recuperación demasiado rápido durante el proceso de recuperación de refrigerante, en ocasiones se produce lo que se conoce como “golpe de líquido”.

Un golpe de líquido puede activar el cierre por alta presión y prolongar el proceso de recuperación de refrigerante. Si Vortex Dual recupera grandes cantidades de líquido demasiado rápido (o si se produce un golpe de líquido), el compresor producirá un sonido de golpeteo fuerte.



La garantía del compresor no cubre los daños que pueda sufrir por recuperar una gran cantidad de líquido demasiado rápido.

Controle con atención el proceso de recuperación. Si el compresor empieza a producir un sonido de golpeteo:

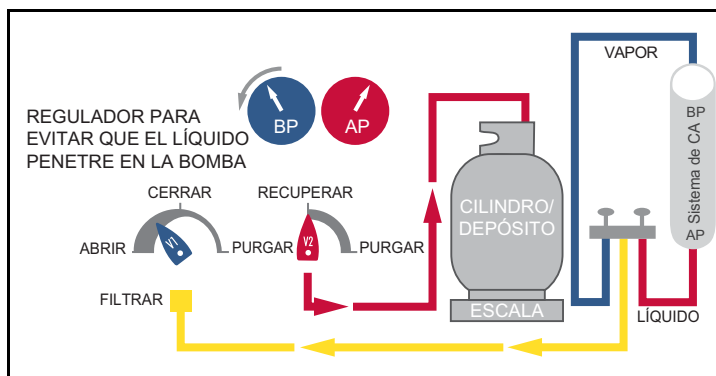
- ♦ Ajuste la válvula de **ENTRADA** en el sentido de las agujas del reloj o
- ♦ Ajuste las válvulas del **CONJUNTO DOSIFICADOR** hasta que deje de escucharse el sonido de golpeteo.

3.2 Funcionamiento de la recuperación estándar

- 1 Conecte todos los cables y las mangueras como se describe en la sección 3.1.

NOTA: Asegúrese de que todas las conexiones están bien sujetas y de que los cables y las mangueras no interfieran con el proceso de recuperación. Consulte la [Figura 1](#).

Figura 1 Procedimiento de configuración de la recuperación de refrigerante estándar



- 2 Asegúrese de que la manguera que conecta Vortex Dual al depósito de recuperación esté conectada al puerto **LIQUID** (LÍQUIDO) o **LP**.
- 3 **ABRA** la válvula **LP** del depósito. Mantenga el puerto **VAPOR** (VAPOR) **CERRADO**.
- 4 Gire la válvula de ENTRADA (**V1**) hasta la posición **CLOSE** (CERRADO).
- 5 Establezca la válvula de PURGA/RECUPERACIÓN (**V2**) en la posición **RECOVER** (RECUPERAR).
- 6 Gire lentamente la válvula de **LÍQUIDO** del CONJUNTO DOSIFICADOR hasta la posición **OPEN** (ABIERTO). Asegúrese de que no haya fugas.
- 7 Conecte Vortex Dual.
- 8 Controle la presión de entrada (manómetro de baja presión, **LP**) y gire *lentamente* la válvula de ENTRADA (**V1**) hasta la posición **OPEN** (ABIERTO).



El compresor puede emitir un sonido de golpeteo si Vortex Dual intenta recuperar una cantidad importante de líquido. Para evitar que el compresor sufra daños, ajuste la válvula de **LÍQUIDO** del CONJUNTO DOSIFICADOR o la válvula de ENTRADA de Vortex Dual (**V1**).

- 9** Una vez que se haya recuperado el líquido, transfiera el vapor restante y gire la válvula de ENTRADA (**V1**) hasta la posición **OPEN** (ABIERTO). Asegúrese de que las válvulas de **LÍQUIDO** y de **VAPOR** del CONJUNTO DOSIFICADOR estén **ABIERTAS**.
- 10** Siga utilizando el equipo hasta que el manómetro de baja presión (**LP**) señale que se ha obtenido el vacío requerido.
- 11** Desconecte Vortex Dual y cierre la válvula de ENTRADA (**V1**). Espere cinco minutos.

Si el CONJUNTO DOSIFICADOR señala que la presión es superior a **0 PSIG** (0 bar), significa que todavía queda refrigerante.

- ♦ Abra la válvula de ENTRADA (**V1**) y conecte Vortex Dual.
- ♦ Ejecute Vortex Dual hasta que se vuelva a alcanzar el nivel de vacío requerido.
- ♦ Espere cinco minutos. Repita este proceso hasta que se elimine todo el refrigerante y la presión sea inferior o igual a **0 PSIG** (0 bar).

- 12** Purgue Vortex Dual inmediatamente. El proceso de purga es necesario para eliminar cualquier resto de refrigerante de los componentes internos de Vortex Dual, así como de la manguera que conecta la salida con el depósito de recuperación. Consulte la [sección 3.3](#).

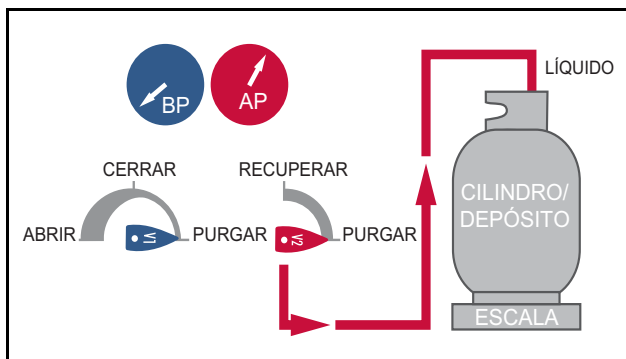
3.3 Purga de Vortex Dual

- 1 Con Vortex Dual desconectado, gire la válvula de PURGA/RECUPERACIÓN (V2) hasta la posición **PURGE** (PURGAR). Consulte la [Figura 2](#).
- 2 Conecte Vortex Dual y gire *lentamente* la válvula de ENTRADA (V1) hasta la posición **PURGE** (PURGAR).
- 3 Ejecute Vortex Dual y controle el manómetro de baja presión (LP) hasta que el nivel de vacío sea igual o superior a **20 In/Hg** (0.7 bar).
- 4 Desconecte Vortex Dual y cierre *inmediatamente* las válvulas del depósito de recuperación. Gire la válvula de entrada (V1) hasta la posición **CLOSE** (CERRAR).



La manguera y el puerto de descarga contendrán una pequeña cantidad de refrigerante presurizado. Tenga cuidado al retirar esta manguera.

Figura 2 Procedimiento de configuración de la purga



3.4 Funcionamiento del método push-pull

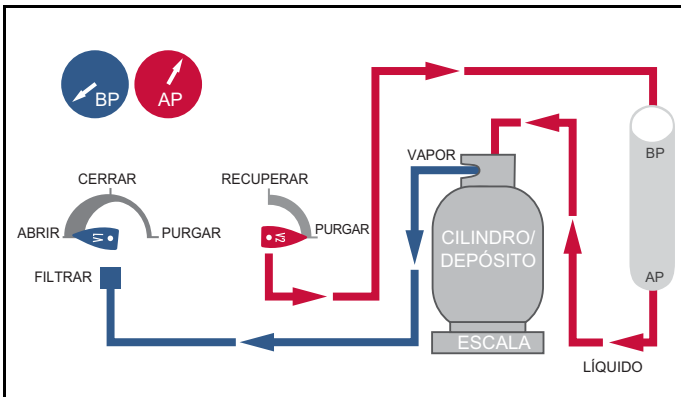
El método de recuperación push-pull se utiliza para mover grandes cantidades de refrigerante líquido. Durante este proceso, la unidad de recuperación extrae vapor del cilindro de recuperación y produce gas de descarga de alta presión que empuja el líquido fuera del sistema HVAC y lo devuelve al cilindro de recuperación. Al utilizar este procedimiento, se pueden alcanzar tasas de recuperación superiores a 7 kg (15 libras) por minuto.

NOTA: No intente utilizar el proceso push-pull a menos que el sistema contenga un mínimo de 7 kg (15 libras) de líquido que se pueda aislar fácilmente.

Para evitar el llenado en exceso, utilice la balanza para asegurarse de que el depósito no sobrepasa el 80% de su capacidad, por peso. Controle con atención el peso del depósito, ya que durante el proceso push-pull puede alcanzar rápidamente el 80% de su capacidad debido a la rápida transferencia.

Conecte las mangueras de refrigerante (consulte la [Figura 3](#)). Puede utilizar un visor de nivel (no incluido) para determinar si se ha transferido el líquido y si el vapor permanece.

Figura 3 Procedimiento de configuración del método push-pull



3.5 Refrigeración del depósito de recuperación

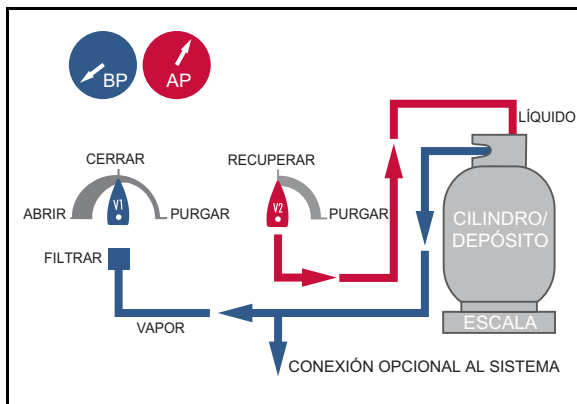
Vortex Dual se puede utilizar para preenfriar (o subenfriar) el depósito de recuperación, si la presión de descarga es demasiado alta para completar el proceso de recuperación. Si la presión ambiental es demasiado elevada, la presión de descarga puede alcanzar un nivel elevado cuando se utiliza con ciertos refrigerantes que tienen una presión de vapor elevada.

NOTA: El depósito de recuperación debe contener 2,5 kg (5 libras) o más de líquido para permitir que se desarrolle la presión diferencial.

Subenfriar el depósito antes de iniciar el proceso de recuperación puede ser muy poco o nada beneficioso.

Si el proceso de recuperación se detiene por una presión de descarga elevada, desconecte Vortex Dual, cierre las válvulas de la manguera y vuelva a establecer la configuración, tal como se muestra en la [Figura 4](#).

Figura 4 Procedimiento de configuración del método de subenfriamiento



- 1 Gire la válvula **V2** de Vortex Dual hasta la posición **RECOVER** (**RECUPERAR**) y abra las válvulas de **LÍQUIDO** y de **VAPOR** del cilindro.
- 2 Conecte Vortex Dual.
- 3 Gire la válvula **V1** de Vortex Dual hasta la posición **OPEN** (**ABIERTO**).
- 4 En el cilindro, ajuste el flujo de líquido cerrando lentamente la válvula de **LÍQUIDO** para alcanzar una presión mínima diferencial de **100 PSIG** (0.7 MPa, 7 bar) entre los manómetros de baja presión (LP) y alta presión (HP).

NOTA: Para evitar que se active el conmutador de corte de alta presión, no permita que el manómetro de alta presión (HP) supere los **550 PSIG** (3.8 MPa, 38 bar).

- 5 Una vez que se enfríe el depósito de recuperación, desconecte Vortex Dual y vuelva a establecer la configuración de la recuperación estándar. Repita el proceso si es necesario.

3.6 Notas sobre el funcionamiento especial

Durante un funcionamiento estándar, el conmutador de alta presión se restablecerá cuando la presión de descarga caiga por debajo de 425 PSI (2.9 MPa, 29 bar) aproximadamente y Vortex Dual se reiniciará automáticamente.

4.0 Mantenimiento

Con un mantenimiento mínimo, pero importante, Vortex Dual puede ofrecer un servicio fiable durante un largo período de tiempo. Después de cada uso, limpie Vortex Dual con un paño húmedo para eliminar los restos de suciedad y aceite.



No utilice gasolina u otros disolventes peligrosos para limpiar Vortex Dual, ya que pueden dañar la carcasa de plástico. Puede utilizar alcohol isopropílico o detergente estándar de uso doméstico, siempre que el líquido no penetre la carcasa exterior.

Asegúrese de que los puertos de entrada y de descarga están protegidos durante el transporte y el almacenamiento; mantenga el diámetro interior y las roscas exteriores limpios y claros.

NOTA: Para obtener mejores resultados, deje el filtro conectado al puerto de entrada y cambie el filtro con regularidad.

5.0 Resolución de problemas

PROBLEMA	CAUSA	ACCIÓN
Vortex Dual no se conecta; el compresor no se inicia	<ol style="list-style-type: none"> 1. El cable de alimentación no está conectado 2. No hay tensión en la toma de corriente 3. El interruptor automático se ha abierto 4. La presión de descarga es demasiado elevada; se ha abierto el conmutador de alta presión 5. Error en el sistema electrónico del motor 	<ol style="list-style-type: none"> 1. Conectar el cable de alimentación 2. Comprobar la tensión en el lugar de trabajo 3. Identificar la causa de la activación del interruptor automático, rectificar y restablecer 4. Reducir la presión; girar la válvula V2 hasta la posición Purge (Purgar) y, a continuación, volver a colocarla en Recover (Recuperar) 5. Llevar a cabo tareas de mantenimiento
El compresor se inicia, pero empieza a fallar transcurridos unos minutos; la indicación de presión en el manómetro de alta presión (HP) es elevada	<ol style="list-style-type: none"> 1. La válvula del depósito de recuperación no está abierta 2. La manguera de descarga está bloqueada 3. Hay aire en el sistema/depósito 	<ol style="list-style-type: none"> 1. Abrir la válvula del depósito 2. Comprobar y quitar el bloqueo 3. Purgar el aire del sistema/depósito
El compresor se detiene intermitentemente	<ol style="list-style-type: none"> 1. La presión de vapor del refrigerante del depósito es próxima al punto de activación de alta presión (HP) 2. El interruptor de sobrecarga térmica del compresor está activado 	<ol style="list-style-type: none"> 1. Reducir la temperatura del depósito 2. Reducir la cantidad de líquido que se va a bombear; deje que el equipo se enfríe antes de continuar

PROBLEMA	CAUSA	ACCIÓN
Vortex Dual se sobrecalienta	Presión de descarga excesiva debido a: <ol style="list-style-type: none"> 1. Temperatura ambiente alta 2. Manguera de descarga limitada 3. Hay aire en el depósito de recuperación 	<ol style="list-style-type: none"> 1. Reducir la temperatura del depósito 2. Comprobar y quitar la limitación 3. Purgar el aire del depósito
El proceso de recuperación es demasiado lento	<ol style="list-style-type: none"> 1. La presión de descarga es demasiado elevada 2. El refrigerante del sistema está congelado 3. Las juntas del compresor están desgastadas 	<ol style="list-style-type: none"> 1. Reducir la temperatura del depósito o cambiar los depósitos 2. Interrumpir el proceso para permitir que el hielo se derrita 3. Reconstruir el compresor con el kit de mantenimiento; póngase en contacto con el distribuidor para obtener ayuda

6.0 Revisión

Vortex Dual emplea componentes eléctricos reconocidos por agencias de seguridad internacionales o componentes que se han diseñado especialmente para esta aplicación.



No cambie ninguno de estos componentes, ya que podría poner en riesgo la seguridad. Todos los trabajos de mantenimiento deben realizarse en una instalación aprobada por INFICON para mantener la garantía y el índice de seguridad.

En caso de defectos, no devuelva Vortex Dual directamente a la fábrica. Para obtener información relacionada con el mantenimiento y la asistencia técnica, póngase en contacto con INFICON o su distribuidor.

7.0 Repuestos y accesorios

Las piezas y accesorios siguientes están disponibles a través de diversos distribuidores. Póngase en contacto con INFICON o con su distribuidor local para conocer su disponibilidad.

Cable de alimentación (115 V)	068-0684
Cable de alimentación (230 V)	068-0685
Manómetro de baja presión	722-406-P1
Manómetro de alta presión	722-407-P1
Correa de transporte	722-408-P1
Secador de filtro (1/4" macho-macho)	722-409-P1

Español

8.0 Requisitos de la EPA (PN 714-202-G1 solo)

La sección 608 de la ley estadounidense de aire limpio (Clean Air Act) (40 CFR parte 82) recoge las regulaciones que cubren todos los aspectos del proceso de recuperación de refrigerante establecidas por la Agencia de Protección Ambiental (EPA) de Estados Unidos.

Estas regulaciones establecen prácticas de mantenimiento que maximizan el reciclaje de compuestos nocivos para la capa de ozono durante las tareas de mantenimiento y desecho de los equipos de refrigeración y aire acondicionado.

También existen requisitos de certificación aplicables a técnicos y a equipos de recuperación. El equipo Vortex Dual de INFICON cuenta con la certificación de la EPA en un laboratorio independiente.

La EPA también ha establecido requisitos de evacuación para equipos HVAC/R utilizados para tareas de mantenimiento a fin de garantizar que se reduzca la liberación de CFC o HCFC a la atmósfera.

- ♦ Los técnicos encargados de la reparación de pequeños aparatos, como refrigeradores domésticos, aires acondicionados colocados en ventanas y refrigeradores de agua, deben recuperar el 80% del refrigerante si el compresor del aparato no está operativo.
- ♦ Los técnicos encargados de reparar aparatos pequeños deben recuperar el 90% del refrigerante si el compresor del aparato está operativo.

NOTA: Estos requisitos también se deben cumplir si se evacúa el aparato pequeño con un equipo de recuperación con 10 cm (4 pulgadas) de mercurio de vacío.

En la [Tabla 7-1 en la página 34](#) se incluyen otros requisitos.

Tabla 7-1 Requisitos de la EPA

TIPO DE APARATO	VACÍO EN PULGADAS DE MERCURIO REQUERIDO
Aparato que puede emitir HCFC-22 que generalmente contenga menos de 90 kg (200 libras) de refrigerante	0
Aparato que puede emitir HCFC-22 que generalmente contenga 90 kg (200 libras) o más de refrigerante	10
Otro aparato de presión elevada que generalmente contenga menos de 90 kg (200 libras) de refrigerante	10
Otro aparato de presión elevada que generalmente contenga 90 kg (200 libras) o más de refrigerante	15
Aparato de presión muy elevada (CFC-13, -503)	0
Aparato de presión baja (CFC-11, HCFC-123)	25*

*mm Hg absolute

La EPA requiere que los técnicos de mantenimiento informen sobre el equipo de recuperación adquirido a la Oficina regional de la EPA correspondiente y certifiquen que cumple la legislación aplicable establecida en la ley estadounidense de aire limpio (Clean Air Act). Los formularios están disponibles en la Oficina regional de la EPA.

Si tiene preguntas sobre los requisitos de la EPA, puede ponerse en contacto con la línea gratuita de atención al cliente para la protección de la capa de ozono en el teléfono 1 800 296 1996.

Table des matières

La sécurité d'abord !	36
Sécurité du produit	36
Responsabilité	36
Marques de commerce	36
Certification EPA	37
Déclaration de conformité	37
1.0 Précautions de sécurité	38
2.0 Caractéristiques, fonctionnalités et garantie	39
2.1 Caractéristiques du Vortex Dual	39
2.2 Garantie	40
3.0 Installation et utilisation	40
3.1 Prise en main	40
3.2 Opération de récupération standard	42
3.3 Purge du Vortex Dual	44
3.4 Fonctionnement en surpression	45
3.5 Refroidissement du réservoir de récupération	46
3.6 Notes spéciales d'utilisation	47
4.0 Entretien	47
5.0 Dépannage	48
6.0 Réparation	49
7.0 Exigences de l'EPA (PN 714-202-G1 seulement)	50

Merci d'avoir acheté l'appareil de récupération de réfrigérant INFICON® Vortex® Dual ! Pour obtenir les meilleures performances de votre Vortex Dual, veuillez lire attentivement ce manuel avant utilisation.

Pour toute question ou assistance, contactez INFICON.

États-Unis : +1.800.344.3304 ou service.tools@inficon.com

Europe : +49 221 56788-660 ou servicetools.europe@inficon.com

La sécurité d'abord !



Ce symbole vous alerte sur la présence de points critiques concernant les instructions d'utilisation, de sécurité et d'entretien (réparation) de ce manuel.

Sécurité du produit

Le Vortex Dual est une machine de récupération destinée à une grande diversité de réfrigérants. La récupération des réfrigérants dans des réservoirs de stockage séparés implique une compression de gaz, qui se traduit par de hautes pressions dans la machine, dans les flexibles de raccordement et dans le réservoir de stockage.



Les systèmes à haute pression peuvent causer des accidents ou des blessures en cas de manipulation incorrecte ou de manque d'attention.

Les flexibles de réfrigérant doivent être équipés de dispositifs de fermeture à moins de 30,5 cm (12 po) des extrémités, pour réduire les risques de fuite de réfrigérant vers l'atmosphère lors du changement de réservoir ou des travaux d'installation.

Responsabilité



Ne pas utiliser Vortex Dual sans formation appropriée à la procédure de récupération. L'utilisation de cette machine par du personnel non qualifié est potentiellement dangereuse.

Marques de commerce

Les marques de commerce des produits mentionnés dans ce manuel sont détenues par les sociétés qui les fabriquent.

INFICON®, Vortex®, Compass®, D-TEK® Select, TEK-Mate® et Wey-TEK™ sont des marques de commerce de INFICON.

Tous les autres noms de marque et de produit sont reconnus comme marques de commerce ou marques déposées de leurs sociétés respectives.

Les informations contenues dans ce manuel sont considérées comme exactes et fiables. INFICO n'assume cependant aucune responsabilité pour leur utilisation et ne pourrait être tenu responsable de tout dommage spécial, directement ou indirectement lié à l'utilisation de ce produit.

© 2016 Tous droits réservés.

La reproduction ou l'adaptation d'une partie de ce manuel sans permission est interdite.

Certification EPA

L'INFICON Vortex Dual (PN 714-202-G1 seulement) est une machine certifiée par l'EPA conformément à la Section 608 du Clean Air Act. Elle a été testée et certifiée conforme à la norme ARI 740 par Intertek.



Déclaration de conformité UE

Cette déclaration est établie sous la seule responsabilité du fabricant INFICON. L'objet de la déclaration reste la certification que cet équipement, conçu et fabriqué par INFICON, est conforme à la législation pertinente d'harmonisation de la Communauté. Il a été construit conformément aux bonnes pratiques d'ingénierie applicables à la sécurité en vigueur dans la Communauté, et ne met pas en danger la sécurité des personnes, des animaux domestiques et des biens lorsqu'il est installé, entretenu et employé dans les applications pour lesquelles il a été fabriqué.

Description de l'équipement	Machine de récupération de fluides frigorigènes Vortex Dual
Numéro de modèle	714-202-Gxx (Applicable à tous les numéros de groupe)
Directives applicables	2014/35/UE (LVD) 2014/30/UE (EMC) 2011/65/UE (RoHS)
Normes applicables	EN 60335-1:2012/A11:2014 EN 55014-1:2006/A2:2011 / CISPR14-1:2005/A2:2011 EN 50581:2013
Date de mise en service du CE	20 Avril 2016



Représentant du fabricant

Brian King
INFICON
Business Line Manager – Service Tools
Two Technology Place
East Syracuse, NY USA 13057

Représentant agréé UE

INFICON GmbH
50968 Köln, Bonner Str. 498

Toute question au sujet de cette déclaration ou concernant la sécurité des produits de INFICON doit être soumise, par écrit, au service de l'assurance de la qualité à l'adresse mentionnée ci-haut.

1.0 Précautions de sécurité

Lisez ce manuel avant d'utiliser le Vortex Dual pour bien connaître ses caractéristiques et son fonctionnement. Consultez la fiche de données de sécurité (FDS) et les données caractéristiques de température - pression de vapeur pour connaître les exigences de sécurité et de manipulation des réfrigérants à récupérer.



Portez des gants, une protection oculaire et des chaussures de sécurité pour travailler sur les systèmes de réfrigération.



La vapeur de réfrigérant peut être dangereuse et ses produits de décomposition peuvent être mortels.



Les moteurs et interrupteurs peuvent créer des étincelles et peuvent être particulièrement dangereux dans des environnements ou atmosphères inflammables. Ne travaillez que dans des zones bien ventilées, équipées d'une ventilation mécanique assurant un renouvellement d'au moins quatre volumes par heure. Ne travaillez pas dans des espaces confinés sans équipements de sécurité appropriés. Il peut être nécessaire d'installer un ventilateur de circulation séparé.



N'utilisez jamais d'oxygène pour la détection des fuites. L'oxygène peut former un mélange explosif en présence d'huile et de pression. Effectuez la détection de fuite conformément aux méthodes recommandées seulement. Pour de meilleurs résultats, utilisez un détecteur de réfrigérant, par exemple INFICON D-TEK Select, Compass ou TEK-Mate.



Ne mélangez jamais les réfrigérants. Utilisez des bouteilles de stockage, des flexibles et des filtres séparés pour chaque type de réfrigérant récupéré. Stockez les réfrigérants dans un endroit frais et sec.



Ne forcez jamais le remplissage d'un réservoir de stockage. Les réservoirs trop remplis peuvent casser et exploser. Utilisez une balance à réfrigérant telle que l'INFICON Wey-TEK pour éviter tout remplissage excessif.



Pour l'ouverture des vannes de service ou d'une bouteille, opérez lentement pour vous assurer que tous les raccords soient bien serrés et sans danger.



Coupez l'alimentation avant de déplacer la machine Vortex Dual ou d'intervenir sur cette dernière.



Le risque d'électrocution et d'exposition à des pièces chaudes du compresseur est possible en cas de dépose des capots de la machine Vortex Dual. La machine Vortex Dual ne devrait être ouverte que par un technicien qualifié formé à l'électronique de base et aux techniques frigorifiques.



N'utilisez que le cordon d'alimentation fourni par INFICON. Si le cordon est perdu ou endommagé, contactez INFICON pour savoir comment obtenir une pièce de rechange.



Une rallonge connectée au Vortex Dual peut surchauffer en cas de forte consommation. Si une rallonge est nécessaire, utilisez la longueur la plus courte possible et uniquement un calibre minimal de 14 AWG pour le 115 V c.a. ou au moins 1,00 mm² pour le 230 V c.a.



N'utilisez pas le Vortex Dual près de réservoirs d'essence ouverts ou autres liquides inflammables.



Ce produit est conçu pour une utilisation avec des fluides frigorigènes uniquement et il n'est pas destiné à une utilisation avec les fluides frigorigènes combustibles. Toute autre utilisation de ce produit n'est pas recommandée par INFICON et peut entraîner des blessures personnelles. L'utilisation de ce produit à des fins autres que celles prévues se fait aux propres risques de l'utilisateur.

2.0 Caractéristiques, fonctionnalités et garantie

2.1 Caractéristiques du Vortex Dual

Réfrigérants	R-12, R-1234yf, R-134a, R-22, R-401A, R-401B, R-401C, R-402A, R-402B, R-404A, R-407A, R-407B, R-407C, R-408A, R-409A, R-410A, R-500, R-502, R-507
Alimentation	115 V (ca), 60 Hz, 12 A, ou 230 V (ca), 50/60 Hz, 10 A (selon la version)
Protection	Coupeure par manoccontact haute pression à 550 PSI (3.8 MPa, 38 Bar) . Protection thermique du moteur du compresseur
Pression	Pression de conception basse pression 350 PSI, (2.4 MPa, 24 bar); Pression de conception haute pression 550 PSI (3.8 MPa, 38 bar)
Température	Plage de fonctionnement 10 à 40 °C (50 à 104 °F)
Degré de pollution	2
Protection contre la pénétration	IP20
Certification EPA (PN 714-202-G1 seulement)	Certifiés par tous les réfrigérants mentionnés dans les catégories III, IV et V de la norme ARI 740-1998

2.2 Garantie

INFICON garantit l'appareil de récupération de réfrigérant Vortex Dual comme étant exempt de défauts matériels ou de fabrication pendant une période de trois ans prenant effet à la date d'achat. INFICON ne garantit aucune machine en cas d'usage incorrect, de négligence, d'accident, ou de réparation par un personnel non agréé INFICON.

Le compresseur est garanti par le constructeur pour une durée de trois ans. Pour que cette garantie reste applicable, un filtre (livré) doit être utilisé sur le port ou le flexible d'entrée à tout moment, pour éviter la pénétration de particules dans le compresseur. *Le défaut d'utilisation du filtre livré annule la garantie du compresseur.*

La responsabilité d'INFICON se limite à la réparation ou au remplacement, à son choix, de la machine ou de la pièce défectueuse. En cas de constatation de défaut, le recours en garantie doit être reçu par INFICON, en port payé, au plus tard trente (30) jours après l'expiration de la période de garantie. INFICON devra conclure si la machine a subi un mauvais fonctionnement par suite d'un défaut de matériau ou de main-d'œuvre.

La présente garantie remplace toute autre garantie, explicite ou implicite, qu'elle soit de valeur commerciale, d'adaptation à un objectif particulier, ou autre. Tout autre type de garantie est explicitement décliné.

La responsabilité d'INFICON ne peut en aucun cas excéder le prix qui a été payé pour l'appareil Vortex Dual, auquel s'ajoutent les frais de port payés pour son renvoi. INFICON ne peut pas être tenu responsable en cas de dommages et intérêts. Toutes les responsabilités de ce type sont exclues.

3.0 Installation et utilisation

3.1 Prise en main

Lisez l'ensemble de ce manuel avant d'utiliser le Vortex Dual.



Le non-respect des précautions de sécurité appropriées peut conduire à des blessures graves voire mortelles. Ne pas utiliser le Vortex Dual sans formation appropriée à la procédure de récupération.

- 1 Installez le filtre livré sur l'entrée. Le Vortex Dual a un raccord conique femelle pour réfrigérant qui peut être branché à des raccords coniques mâles.
- 2 Raccordez les flexibles au filtre.



N'utilisez pas d'adaptateur de raccord à la place d'un filtre. L'utilisation d'un adaptateur de raccord peut endommager les vannes et annuler la garantie.

- 3 Raccordez un flexible de la vanne de refoulement au réservoir de récupération. Raccordez les autres flexibles entre les composants du système, selon le [schéma 1 page 42](#).
- 4 Raccordez le cordon d'alimentation c.a. sur un circuit protégé par un disjoncteur de la taille appropriée. Si une rallonge est absolument nécessaire, assurez-vous qu'elle respecte les conditions suivantes :
 - ♦ longueur non excessive
 - ♦ comporte une prise terre
 - ♦ un calibre minimal de 14 AWG pour le 115 V c.a. ou au moins 1,0 mm² pour le 230 V c.a.



Les réservoirs remplis excessivement peuvent casser et exploser.

En mode de récupération standard ou en surpression, il est possible de trop remplir le réservoir. Utilisez une balance à réfrigérant pour vous assurez que le réservoir ne dépasse pas 80 % de sa capacité en poids. Vérifiez le poids du réservoir avant de le transporter.



Ne laissez pas la machine Vortex Dual récupérer trop rapidement de grandes quantités de liquide.

REMARQUE : Quand une quantité notable de liquide est présente et pénètre dans la machine de récupération trop rapidement lors de la récupération du réfrigérant, il peut se produire un phénomène appelé « coup de liquide ».

Un coup de liquide peut activer la coupure du manoccontact haute pression et allonger la procédure de récupération du réfrigérant. Si le Vortex Dual récupère de grandes quantités de liquide trop rapidement (ou en présence de coup de liquide), le compresseur émet des cognements forts.



Les dégâts au compresseur causés par la récupération trop rapide d'une grande quantité de liquide ne sont pas couverts par la garantie du compresseur.

Surveillez attentivement la procédure de récupération. En cas de début de cognement du compresseur :

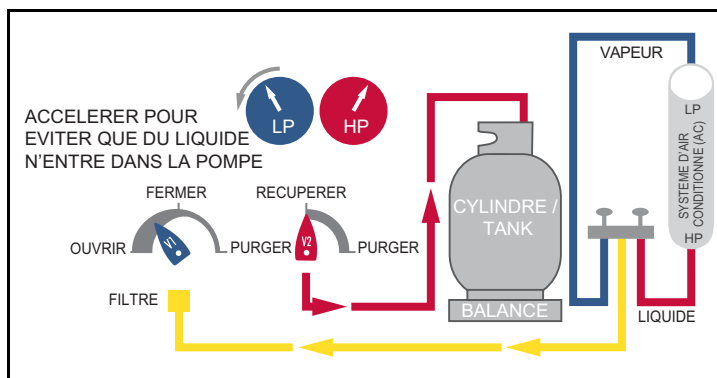
- ♦ réduisez la vanne **ENTREE** en sens horaire ou
- ♦ réglez les vannes des manomètres du **COLLECTEUR** jusqu'à l'arrêt du cognement.

3.2 Opération de récupération standard

- 1 Raccordez tous les câbles et les flexibles comme indiqué dans la section 3.1.

REMARQUE : Assurez-vous que tous les raccords soient bien serrés, et que les câbles et flexibles ne gênent pas la procédure de récupération. Voir le schéma 1.

Schéma 1 Procédure d'installation pour la récupération standard de réfrigérant



- 2 Assurez-vous que le flexible qui raccorde Vortex Dual au réservoir de récupération soit bien sur le port **LIQUIDE (LP)**.
- 3 **OUVREZ** la vanne **LP** du réservoir. Maintenez le port **VAPEUR FERMÉ**.
- 4 Tournez la vanne **INLET (V1)** sur la position **FERMER**.
- 5 Passez la vanne **PURGER / RECUPERE (V2)** en position **RECUPERER**.
- 6 Tournez lentement la vanne **LIQUIDE** sur les manomètres du **COLLECTEUR** en position **OUVRIR**. Assurez-vous de l'absence de fuite.
- 7 Mettez en route le Vortex Dual.
- 8 Surveillez la pression d'entrée (**LP**, manomètre basse pression) et tournez *lentement* la vanne **ENTREE (V1)** sur la position **OUVRIR**.



Le compresseur peut faire un bruit de cognement si le Vortex Dual tente de récupérer une quantité importante de liquide. Pour éviter d'endommager le compresseur, abaissez la vanne **LIQUIDE** sur les manomètres du **COLLECTEUR**, ou la vanne **ENTREE** du Vortex Dual (**V1**).

- 9** Après récupération du liquide, transférez la vapeur restante ; tournez la vanne ENTREE (**V1**) sur la position **OUVRIR**. Assurez-vous que les vannes **LIQUIDE** et **VAPEUR** sur le manomètre du COLLECTEUR soient en position **OUVERTE**.
- 10** Laissez fonctionner l'appareil jusqu'à ce que le manomètre **LP** indique la dépression voulue.
- 11** Arrêtez le Vortex Dual et fermez la vanne ENTREE (**V1**). Attendez cinq minutes.

Si le manomètre du distributeur indique une pression au-dessus de **0 PSIG** (0 bar), c'est qu'il reste du réfrigérant.

- ♦ Ouvrez la vanne ENTREE (**V1**) et mettez en route le Vortex Dual.
 - ♦ Laissez tourner le Vortex Dual jusqu'à ce qu'il atteigne la dépression voulue.
 - ♦ Attendez cinq minutes. Répétez la procédure jusqu'à l'évacuation de tout le réfrigérant permettant d'atteindre une pression de **0 PSIG** (0 bar) ou moins.
- 12** Purgez immédiatement le Vortex Dual. La purge est indispensable pour éliminer tout réfrigérant résiduel des composants internes du Vortex Dual ainsi que du flexible de la sortie jusqu'au réservoir de récupération. Voir la [section 3.3](#).

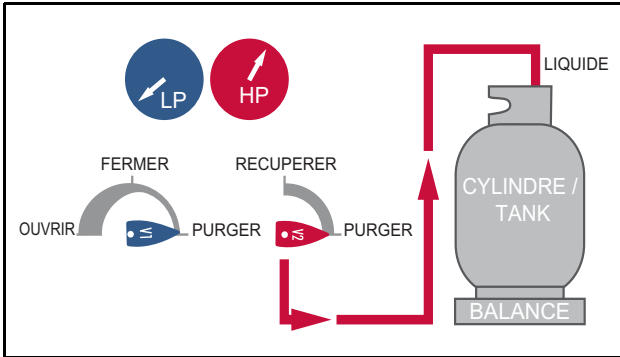
3.3 Purge du Vortex Dual

- 1 Une fois le Vortex Dual arrêté, tournez la vanne PURGER / RECUPERER (V2) en position **PURGER**. Voir [Schéma 2](#).
- 2 Mettez en route le Vortex Dual et tournez *lentement* la vanne ENTREE (V1) sur la position **PURGER**.
- 3 Laissez tourner le Vortex Dual et surveillez le manomètre LP jusqu'à l'obtention d'une dépression d'au moins **20 po/Hg** (0.7 bar).
- 4 Arrêtez le Vortex Dual et fermez *immédiatement* les vannes du réservoir de récupération. Tournez la vanne ENTREE (V1) en position **FERMER**.



Le flexible et le port de refoulement contiennent une petite quantité de réfrigérant sous pression. Soyez prudent lorsque vous déposerez ce flexible.

Schéma 2 Procédure d'installation pour la purge



3.4 Fonctionnement en surpression

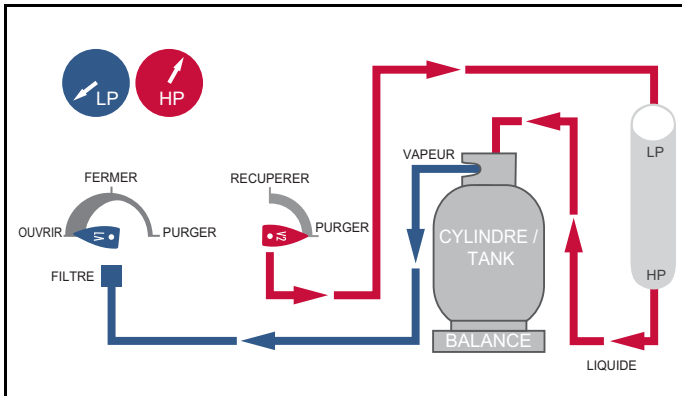
La méthode de récupération par surpression permet de déplacer de grandes quantités de réfrigérant liquide. Dans cette procédure, l'appareil de récupération extrait la vapeur de la bouteille de récupération et produit un gaz de refoulement à haute pression qui repousse le liquide du circuit de climatisation pour le ramener dans la bouteille de récupération. Cette procédure permet d'atteindre des vitesses de récupération de 7 kg par minute.

REMARQUE : Ne tentez pas d'opération en surpression si le circuit ne contient pas au moins 7 kg de liquide faciles à isoler.

Pour éviter un remplissage excessif, utilisez la balance pour vous assurer que le réservoir ne dépasse pas 80 % de sa capacité en poids. Surveillez attentivement le poids du réservoir car il est possible d'atteindre rapidement 80 % de la capacité en mode de surpression suite à la rapidité du transfert.

Raccordez les flexibles de réfrigérant (voir [Schéma 3](#)). Un verre de visée non livré peut faciliter l'observation de la fin du transfert du liquide alors qu'il reste de la vapeur.

Schéma 3 Procédure d'installation pour la méthode par surpression



3.5 Refroidissement du réservoir de récupération

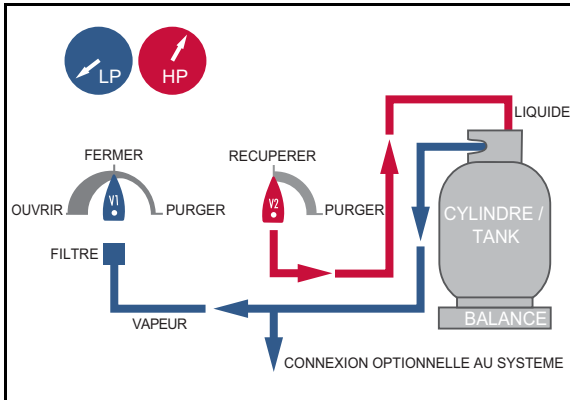
Le Vortex Dual peut s'utiliser pour prérefroidir (ou sous-refroidir) le réservoir de récupération si la pression de sortie est trop élevée pour achever la procédure de récupération. Si la pression ambiante est trop élevée, la pression de sortie peut être trop élevée chez certains réfrigérants à forte tension de vapeur.

REMARQUE : Le réservoir de récupération doit contenir au moins 2,5 kg de liquide pour permettre la création d'une différence de pression.

Le sous-refroidissement du réservoir avant de démarrer la procédure de récupération peut offrir un avantage faible ou nul.

Si la procédure de récupération s'arrête à cause d'une trop forte pression de sortie, arrêtez le Vortex Dual, fermez les vannes des flexibles et reconfigurez l'installation comme indiqué dans le [schéma 4](#).

Schéma 4 Procédure d'installation pour la méthode de sous-refroidissement



- 1 Tournez la **V2** du Vortex Dual en position RECUPERER et ouvrez les vannes **LIQUIDE** et **VAPEUR** sur la bouteille.
- 2 Mettez en route le Vortex Dual.
- 3 Tournez la **V1** sur le Vortex Dual en position OUVRIER.
- 4 Sur la bouteille, réglez le débit du liquide en fermant lentement la vanne **LIQUIDE** pour atteindre une différence de pression minimale de **100 PSIG** (0.7 MPa, 7 bar) entre les manomètres LP et HP.

REMARQUE : Pour éviter l'actionnement du manoccontact de coupure HP, ne laissez pas le manomètre HP dépasser **550 PSIG** (3.8 MPa, 38 bar).

- 5 Quand le réservoir de récupération est froid, arrêtez le Vortex Dual et reconfigurez l'installation pour une récupération standard. Répétez si nécessaire.

3.6 Notes spéciales d'utilisation

En utilisation standard, le manocontact de haute pression se réinitialise quand la pression de sortie tombe environ en dessous de 425 PSI (2.9 MPa, 29 bar), le Vortex Dual redémarre alors automatiquement.

4.0 Entretien

Grâce à un entretien simple mais essentiel, votre Vortex Dual peut vous fournir de nombreuses années de service en toute fiabilité. Après chaque utilisation, nettoyez le Vortex Dual avec un chiffon humide afin d'éliminer la saleté et les huiles.



Ne pas utiliser d'essence ou d'autres solvants dangereux pour nettoyer le Vortex Dual ; ceci pourrait endommager l'enveloppe en plastique. Il est possible d'utiliser un détergent ménager standard ou de l'alcool isopropylique, mais sans laisser le liquide pénétrer l'enveloppe extérieure.

Assurez-vous que les ports d'entrée et de refoulement soient protégés pendant le transport et le stockage ; gardez le diamètre intérieur et les filets extérieurs propres et dégagés.

REMARQUE : Pour de meilleurs résultats, laissez le filtre raccordé au port d'entrée, et changez ce filtre régulièrement.

5.0 Dépannage

PROBLÈME	CAUSE	ACTION
Le Vortex Dual ne se met pas en route ; le compresseur ne démarre pas	<ol style="list-style-type: none"> 1. Cordon d'alimentation non branché 2. Pas de tension à la prise 3. Disjoncteur ouvert 4. Pression de refoulement trop élevée ; manoccontact HP déclenché 5. Panne électronique du moteur 	<ol style="list-style-type: none"> 1. Branchez le cordon d'alimentation 2. Vérifiez la tension sur le chantier 3. Trouvez la cause de déclenchement du disjoncteur, corrigez et réagissez 4. Réduisez la pression ; tournez V2 sur Purger, puis sur Récupérer 5. Réparation en usine nécessaire
Le compresseur démarre, mais s'étouffe après quelques minutes ; la pression indiquée sur le manomètre HP est élevée	<ol style="list-style-type: none"> 1. Vanne de réservoir de récupération non ouverte 2. Flexible de refoulement obstrué 3. Air dans le circuit/réservoir 	<ol style="list-style-type: none"> 1. Ouvrez la vanne du réservoir 2. Vérifiez et dégagez l'obstruction 3. Purgez l'air du circuit/réservoir
Le compresseur s'arrête de façon intermittente	<ol style="list-style-type: none"> 1. La pression de vapeur du réfrigérant dans le réservoir est proche du point de déclenchement HP 2. Le disjoncteur thermique du compresseur s'active 	<ol style="list-style-type: none"> 1. Réduisez la température du réservoir 2. Réduisez la quantité de liquide pompé ; laissez refroidir la machine avant de poursuivre
Le Vortex Dual surchauffe	Pression excessive au refoulement, suite à : <ol style="list-style-type: none"> 1. Une température ambiante élevée 2. Un flexible de refoulement partiellement obstrué 3. De l'air dans le réservoir de récupération 	<ol style="list-style-type: none"> 1. Réduisez la température du réservoir 2. Vérifiez et dégagez l'obstruction 3. Purgez l'air du réservoir

PROBLÈME	CAUSE	ACTION
Récupération trop lente	<ol style="list-style-type: none"> 1. Pression de refoulement trop élevée 2. Réfrigérant gelé dans le circuit 3. Joints du compresseur usagés 	<ol style="list-style-type: none"> 1. Réduisez la température du réservoir ou changez de réservoir 2. Interrompez la procédure pour évacuer la glace 3. Remettez en état le compresseur avec le kit d'entretien — contactez votre grossiste pour de l'aide

6.0 Réparation

Vortex dual utilise des composants électriques reconnus par les homologations de sécurité internationales ou des composants conçus spécifiquement pour cette application.



Ne changez aucun de ces composants au risque de compromettre la sécurité de l'appareil. Tous les travaux de réparation doivent être effectués dans un atelier agréé par INFICON pour conserver la garantie et le classement de sécurité.

En cas de défaut, ne renvoyez pas directement votre Vortex Dual à l'usine. Pour une assistance technique ou toute information sur les réparations, contactez INFICON ou votre grossiste.

7.0 Pièces de rechange et accessoires

Les pièces et accessoires suivants sont disponibles auprès de nombreux distributeurs. Veuillez contacter INFICON ou votre distributeur local pour leur disponibilité.

Câble d'alimentation (115 V)	068-0684
Câble d'alimentation (230 V)	068-0685
Manomètre basse pression	722-406-P1
Manomètre haute pression	722-407-P1
Bandoulière	722-408-P1
Filtre dessiccateur (1/4 po ou 6,35 mm mâle-mâle)	722-409-P1

8.0 Exigences de l'EPA (PN 714-202-G1 seulement)

Dans le cadre de la Section 608 du Clean Air Act (40 CFR Part 82), l'agence américaine de protection de l'environnement EPA (Environmental Protection Agency) a publié une réglementation traitant de tous les aspects des procédures de récupération de réfrigérant.

Ces réglementations ont défini des méthodes de réparation permettant d'optimiser le recyclage des produits destructeurs de la couche d'ozone lors de la réparation et de l'élimination des équipements de climatisation et de réfrigération.

Des exigences de certification ont aussi été définies pour les équipements et les techniciens de récupération. Le produit INFICON Vortex Dual a été certifié par l'EPA par un laboratoire indépendant.

L'EPA a aussi publié des exigences d'évacuation pour les équipements de climatisation/récupération utilisés pour les réparations, de façon à s'assurer de réduire au minimum toute libération de CFC ou HCFC dans l'atmosphère.

- ♦ Les techniciens réparant des petits appareils tels que les réfrigérateurs domestiques, les climatiseurs de fenêtre et les fontaines réfrigérantes d'eau doivent récupérer 80 % du réfrigérant lorsque le compresseur de l'appareil ne fonctionne pas.
- ♦ Les techniciens réparant des petits appareils doivent récupérer 90 % du réfrigérant lorsque le compresseur de l'appareil fonctionne.

REMARQUE : Ces exigences peuvent aussi être respectées en évacuant le circuit du petit appareil avec la machine de récupération jusqu'à une dépression de dix centimètres ou 10 cm de mercure.

Les autres exigences sont traitées dans le [Tableau 7-1 page 51](#).

Tableau 7-1 Exigences de l'EPA

TYPE D'APPAREIL	POUCES DE DÉPRESSION HG EXIGÉS
Appareil au HCFC-22 contenant au total moins de 90 kg de réfrigérant	0
Appareil au HCFC-22 contenant au total au moins 90 kg de réfrigérant	10
Autre appareil sous haute pression contenant au total moins de 90 kg de réfrigérant	10
Autre appareil sous haute pression contenant au total au moins 90 kg de réfrigérant	15
Appareil à très haute pression (CFC-13, -503)	0
Appareil à basse pression (CFC-11, HCFC-123)	25*

*mm Hg absolu

L'EPA exige que les techniciens de réparation certifient l'équipement de récupération acheté auprès du bureau régional de l'EPA, et que ce dernier soit conforme aux lois applicables définies par le Clean Air Act. Les formulaires sont disponibles auprès du bureau régional de l'EPA.

Vous pouvez obtenir des réponses sur les exigences EPA en contactant la ligne d'assistance sur la protection de l'ozone, numéro vert au 1.800.296.1996.

Inhaltsverzeichnis

Sicherheit geht vor!	53
Produktsicherheit	53
Verantwortlichkeit	53
Warenzeichen	53
EPA-Zertifizierung	54
Konformitätserklärung	54
1.0 Sicherheitsmaßnahmen	55
2.0 Technische Daten, Funktionen und Garantie	56
2.1 Technische Daten der Vortex Dual	56
2.2 Garantie	57
3.0 Aufstellung und Betrieb.	57
3.1 Erste Schritte	57
3.2 Standard-Rückgewinnungsverfahren	59
3.3 Spülen der Vortex Dual	61
3.4 Push-Pull-Betrieb	62
3.5 Kühlen des Rückgewinnungstanks	63
3.6 Besondere Betriebshinweise	64
4.0 Wartung	64
5.0 Fehlerbehebung	65
6.0 Service	66
7.0 EPA-Anforderungen (Nur Teilnr. 714-202-G1)	67

Vielen Dank für Ihren Kauf der INFICON® Vortex® Dual Kältemittel-Rückgewinnungsmaschine! Lesen Sie dieses Handbuch vor der Verwendung aufmerksam durch, um eine optimale Leistung der Vortex Dual sicherzustellen.

Wenn Sie Fragen haben oder Hilfe benötigen, wenden Sie sich bitte an INFICON.

USA: +1.800.344.3304 oder service.tools@inficon.com

Europa: +49 221 56788-660 oder servicetools.europe@inficon.com

Sicherheit geht vor!



Mit diesem Symbol soll der Benutzer auf wichtige Betriebs-, Sicherheits- und Wartungsanweisungen in diesem Handbuch hingewiesen werden.

Produktsicherheit

Die Vortex Dual ist eine Rückgewinnungsmaschine für eine breite Palette an Kältemitteln. Die Rückgewinnung von Kältemitteln in separate Lagertanks besteht aus einem Prozess der Gaskomprimierung, der zu hohen Drücken in der Maschine, den Anschlussschläuchen und dem Lagertank führt.



Bei Hochdrucksystemen kann es bei falschem und unvorsichtigem Gebrauch zu Unfällen oder Verletzungen kommen.

Die Kältemittelschläuche müssen 30,5 cm (12 Zoll) von den Enden über Absperrrichtungen verfügen, um beim Wechseln von Tanks oder Aufstellungen die Wahrscheinlichkeit einer Kältemittleckage in die Atmosphäre zu reduzieren.

Verantwortlichkeit



Verwenden Sie die Vortex Dual nur, wenn Sie ausreichend über den Rückgewinnungsprozess geschult wurden. Der Betrieb dieser Maschine durch unqualifiziertes Personal ist potentiell gefährlich.

Warenzeichen

Die Warenzeichen der in diesem Handbuch erwähnten Produkte gehören den Firmen, die sie produzieren.

INFICON®, Vortex®, Compass®, D-TEK® Select, TEK-Mate® und Wey-TEK™ sind Warenzeichen von INFICON.

Alle anderen Marken- und Produktbezeichnungen sind Marken oder eingetragene Marken ihrer jeweiligen Firmen.

Die in diesem Handbuch enthaltenen Informationen sind nach unserem besten Wissen und Gewissen korrekt und zuverlässig. INFICON übernimmt jedoch keine Verantwortung für ihre Nutzung und ist nicht haftbar für irgendwelche besonderen oder beiläufigen Schäden oder für Folgeschäden, die aus der Verwendung dieses Produkts entstehen.

© 2016 Alle Rechte vorbehalten.

Die Vervielfältigung oder Adaption von Teilen dieses Handbuchs ohne vorherige Genehmigung ist gesetzeswidrig.

EPA-Zertifizierung

Die INFICON Vortex Dual (Nur Teilnr. 714-202-G1) ist eine nach EPA zertifizierte Maschine, die Abschnitt 608 des Clean Air Act entspricht. Sie wurde von der Firma Intertek unabhängig geprüft und auf die Erfüllung der Norm 740 hin zertifiziert.



EU-Konformitätserklärung

Diese Erklärung wurde unter alleiniger Verantwortung des Herstellers INFICON herausgegeben. Das Ziel der Erklärung besteht darin, zu zertifizieren, dass dieses von INFICON entwickelte und gefertigte Gerät den einschlägigen Harmonisierungsrechtsvorschriften der Gemeinschaft entspricht. Es wurde in Übereinstimmung mit anerkannten konstruktionstechnischen Verfahren bezüglich der in der Gemeinschaft geltenden Sicherheitsvorschriften hergestellt und führt bei ordnungsgemäßer Installation und Wartung sowie bei sachgerechter Anwendung gemäß Verwendungszweck nicht zu Verletzungen von Personen oder Haustieren oder zu Sachschäden.

Deutsch

Beschreibung des Geräts	Vortex Dual Kältemittel-Rückgewinnungsma- schine
Modellnummer	714-202-Gxx (Auf alle Gruppennummern anwendbar)
Geltende Richtlinien	2014/35/EU (LVD) 2014/30/EU (EMC) 2011/65/EU (RoHS)
Geltende Normen	EN 60335-1:2012/A11:2014 EN 55014-1:2006/A2:2011 / CISPR14-1:2005/A2:2011 EN 50581:2013
CE-Implementierungsdatum	20. April 2016



Herstellervertreter
 Brian King
 INFICON
 Business Line Manager – Wartungswerkzeuge
 Two Technology Place
 East Syracuse, NY USA 13057

Autorisierter Vertreter für die EU
 INFICON GmbH
 50968 Köln, Bonner Str. 498

Fragen zu dieser Erklärung oder über die Sicherheit der Produkte von INFICON sind schriftlich an die Qualitätssicherungsabteilung an die obige Adresse zu richten.

1.0 Sicherheitsmaßnahmen

Lesen Sie dieses Handbuch vor der Verwendung der Vortex Dual, um sich mit deren technischen Daten und Betrieb vertraut zu machen. Falls ein Verlängerungskabel erforderlich ist, verwenden Sie bitte ein möglichst kurzes Kabel mit einem Aderquerschnitt von mindestens 14 AWG bei 115 VAC bzw. 1,00 mm² oder größer bei 230 VAC.



Tragen Sie bei der Arbeit an Kühlsystemen Handschuhe, Augenschutz und Sicherheitsschuhe.



Kältemitteldämpfe können gefährlich und deren Nebenprodukte tödlich sein.



Motoren und Schalter können Funken erzeugen und in explosionsgefährdeten Bereichen besonders gefährlich sein. Arbeiten Sie nur in gut belüfteten Bereichen und mit einer mechanischen Ventilation, welche die Luft mindestens vier Mal pro Stunde austauscht. Arbeiten Sie nicht in geschlossenen Bereichen ohne geeignete Sicherheitsausrüstung. Die Installation eines separaten Zirkulationslüfters kann erforderlich sein.



Verwenden Sie niemals Sauerstoff zur Lecksuche. In Gegenwart von Öl und Druck kann mit Sauerstoff ein explosives Gemisch entstehen. Führen Sie die Lecksuche nur mit den empfohlenen Methoden durch. Um beste Ergebnisse zu erzielen, verwenden Sie einen Kältemitteldetektor, wie z. B. INFICON D-TEK Select, Compass oder TEK-Mate.



Kältemittel dürfen niemals gemischt werden. Verwenden Sie für jedes wiedergewonnene Kältemittel separate Zylinder, Schläuche und Filter. Lagern Sie Kältemittel an einem kühlen, trockenen Ort.



Lagerungsbehälter dürfen niemals überfüllt werden. Überfüllte Behälter können brechen und explodieren. Verwenden Sie ein Kältemittelmessgerät wie z. B. INFICON Wey-TEK, um ein Überfüllen zu vermeiden.



Öffnen Sie Wartungs- oder Behälterventile langsam, um sicherzustellen, dass alle Verbindungen sicher und gefahrlos sind.



Trennen Sie vor dem Bewegen oder Warten der Vortex Dual deren Stromversorgung.



Nach Abnahme der Gehäuseteile der Vortex Dual besteht die Gefahr elektrischer Schläge und des Berührens heißer Kompressorteile. Die Vortex Dual darf nur von einem qualifizierten, in den Grundlagen der Elektronik und Kältetechnik geschulten Techniker geöffnet werden.



Verwenden Sie nur das von INFICON gelieferte Netzanschlusskabel. Bei verlorenem oder beschädigtem Kabel bekommen Sie bei INFICON Informationen zum Erhalt eines Ersatzkabels.



Beim Anschluss an eine Vortex Dual können die Adern eines Verlängerungskabels aufgrund hoher Stromaufnahme überhitzen. Sollte ein Verlängerungskabel nötig sein, verwenden Sie die kürzest mögliche Länge und nur Größe 14 AWG oder größer 115 V (Wechselstrom) bzw. 1,00 mm² oder größer für 230 V (Wechselstrom).



Verwenden Sie die Vortex Dual nicht neben offenen Behältern mit Benzin oder anderen brennbaren Flüssigkeiten.



Dieses Produkt ist nur zur Verwendung mit Kältemitteln bestimmt und darf nicht mit brennbaren Kältemitteln verwendet werden. Anderweitige Verwendungen dieses Produkts werden von INFICON nicht empfohlen und könnten zu Personenschäden führen. Die nicht bestimmungsgemäße Verwendung dieses Produkts geschieht auf eigene Gefahr des Benutzers.

2.0 Technische Daten, Funktionen und Garantie

2.1 Technische Daten der Vortex Dual

Kältemittel	R-12, R-1234yf, R-134a, R-22, R-401A, R-401B, R-401C, R-402A, R-402B, R-404A, R-407A, R-407B, R-407C, R-408A, R-409A, R-410A, R-500, R-502, R-507
Stromanschluss	115 V (AC), 60 Hz, 12 A, oder 230 V (AC), 50/60 Hz, 10 A (je nach Version)
Schutz	Hochdruckschalter, Abschaltung bei 3.8 MPa (38 bar, 550 PSI), Kompressormotor thermisch geschützt
Druck	Auslegungsdruck Niederdruckseite 2.4 MPa, (24 bar, 350 PSI); Auslegungsdruck Hochdruckseite 3.8 MPa (38 bar, 550 PSI)
Temperatur	Betriebsbereich 10 bis 40 °C (50 bis 104 °F)
Verschmutzungsgrad	2
IP-Schutzart	IP20
EPA-Zertifizierung (Nur Teilennr. 714-202-G1)	Zertifiziert für alle Kältemittel, die unter den Kategorien III, IV und V des ARI-Standards 740-1998 aufgeführt sind.

2.2 Garantie

INFICON garantiert für die Dauer von drei Jahren, gerechnet vom Datum des Verkaufs an, dass Ihre Kältemittelrückgewinnungsmaschine Vortex Dual frei von Material- oder Herstellungsfehlern ist. INFICON gewährt keine Garantie für Maschinen, die missbraucht oder vernachlässigt wurden, die in einen Unfall verwickelt waren, oder die durch nicht INFICON angehörenden Personen repariert oder geändert wurden.

Der Kompressor hat eine Herstellergarantie von drei Jahren. Damit diese Garantie Gültigkeit behält, muss am Einlassport oder Einlassschlauch immer ein (mitgelieferter) Filter verwendet werden, um das Eindringen von Partikeln in den Kompressor zu vermeiden. *Bei Nichtbenutzen des mitgelieferten Filters verlischt die Garantie auf den Kompressor.*

INFICONs Haftbarkeit beschränkt sich, nach seinem Ermessen, auf die Reparatur oder den Ersatz defekter Maschinen oder Teile. Bei Auftreten eines Defektes muss spätestens dreißig (30) Tage nach Ablauf des Garantiezeitraumes eine Schadensanzeige bei INFICON eingehen (Transport frei Haus). INFICON untersucht dann, ob die Maschine aufgrund von Material- oder Verarbeitungsfehlern ausgefallen ist.

Diese Garantie tritt an Stelle aller anderen Garantien, egal ob ausdrücklicher oder stillschweigender Art, einschließlich Garantien der Handelstauglichkeit oder der Tauglichkeit für einen bestimmten Zweck oder sonstiger Garantien. Alle derartigen Garantien werden ausdrücklich abgelehnt.

INFICON ist in keiner Weise haftbar für Beträge, die den an INFICON bezahlten Preis für die Vortex Dual plus vorbezahlte Frachtkosten zur Rücksendung übersteigen. INFICON ist nicht haftbar für Zufalls- oder Folgeschäden. Alle derartigen Verpflichtungen sind ausgeschlossen.

3.0 Aufstellung und Betrieb

3.1 Erste Schritte

Lesen Sie vor der Inbetriebnahme der Vortex Dual dieses Handbuch vollständig durch.



Das Nichtbeachten der Sicherheitsmaßnahmen kann zu Personenschäden oder zum Tod führen. Verwenden Sie die Vortex Dual nur, wenn Sie ausreichend über den Rückgewinnungsprozess geschult wurden.

- 1 Montieren Sie den mitgelieferten Filter auf dem Einlass. Die Vortex Dual hat eine Bördelverschraubung mit Innengewinde; die Anschlüsse haben Bördelverschraubungen mit Außengewinde.
- 2 Schließen Sie die Schläuche an die Filter an.



Verwenden Sie nicht einen Adapteranschluss anstelle eines Filters. Die Verwendung eines Adapteranschlusses kann die Ventile beschädigen und führt zum Erlöschen der Garantie.

- 3 Verbinden Sie Auslassventil und Rückgewinnungstank mit einem Schlauch. Verbinden Sie die anderen Systemkomponenten gemäß [Abb. 1 auf Seite 59](#) mit Schläuchen.
- 4 Verbinden Sie das Netzkabel mit einem Stromkreis, der durch einen adäquat bemessenen Sicherungsautomaten geschützt ist. Sollte ein Verlängerungskabel unbedingt erforderlich sein, muss es die folgenden Bedingungen erfüllen:
 - ♦ keine übermäßige Länge
 - ♦ mit Erdungsleiter
 - ♦ drahtstärke von mindestens 14 AWG bei 115 VAC bzw. 1,0 mm² oder größer bei 230 VAC.



Überfüllte Behälter können brechen und explodieren. Beim Betrieb im Standard-Rückgewinnungsmodus oder im Push-Pull-Modus kann der Tank überfüllt werden. Verwenden Sie ein Kältemittel-Messgerät, um sicherzustellen, dass der Tankinhalt nicht 80 % seiner Gesamtkapazität (nach Gewicht) übersteigt. Prüfen Sie vor dem Transport das Tankgewicht.



Lassen Sie die Vortex Dual nicht zu schnell große Flüssigkeitsmengen rückgewinnen.

HINWEIS: Wenn eine größere Flüssigkeitsmenge vorhanden ist und während des Kältemittel-Rückgewinnungsprozesses zu schnell in die Rückgewinnungsmaschine eintritt, wird dies im Feld manchmal als ein „Flüssigkeitsschlag“ oder als „schlagen“ bezeichnet.

Ein Flüssigkeitsschlag kann das Hochdruck-Absperrventil aktivieren und den Kältemittel-Rückgewinnungsprozess verlängern. Wenn die Vortex Dual große Flüssigkeitsmengen zu schnell rückgewinnt (oder ein Flüssigkeitsschlag vorliegt), ist ein lautes Klopfen aus dem Kompressor zu hören.



Durch zu schnelle Rückgewinnung großer Flüssigkeitsmengen hervorgerufene Kompressorschäden sind nicht durch die Kompressorgarantie abgedeckt.

Überwachen Sie den Rückgewinnungsprozess sorgfältig. Wenn Klopfgeräusche aus dem Kompressor kommen:

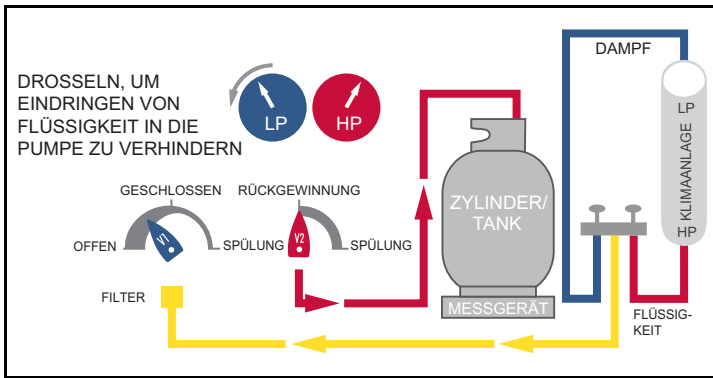
- ♦ schließen Sie das **EINLASSVENTIL** im Uhrzeigersinn oder
- ♦ stellen Sie die **VERTEILERVENTILE** ein, bis das Klopfen aufhört.

3.2 Standard-Rückgewinnungsverfahren

- 1 Schließen Sie alle Kabel und Schläuche wie in [Abschnitt 3.1](#) beschrieben an.

HINWEIS: Alle Verbindungen müssen dicht sein, und die Kabel und Schläuche dürfen den Rückgewinnungsprozess nicht behindern. Siehe [Abb. 1](#).

Abb. 1 Einrichtungsverfahren für die Standard-Kältemittelrückgewinnung



- 2 Der Schlauch, der den Rückgewinnungstank mit der Vortex Dual verbindet, muss an den Anschluss **FLÜSSIGKEIT (LP)** angeschlossen sein.
- 3 **ÖFFNEN** Sie das Ventil **LP** auf dem Tank. Halten Sie den Anschluss **DAMPF GESCHLOSSEN**.
- 4 Drehen Sie das EINLASSVENTIL (**V1**) in die Position **GESCHLOSSEN**.
- 5 Stellen Sie das Ventil SPÜLUNG/RÜCKGEWINNUNG (**V2**) auf die Position **RÜCKGEWINNUNG**.
- 6 Drehen Sie das Ventil **FLÜSSIGKEIT** auf dem Messgerätesatz VERTEILER langsam in die Position **OFFEN**. Stellen Sie sicher, dass keine Lecks vorliegen.
- 7 Schalten Sie die Vortex Dual ein.

- 8** Überwachen Sie den Einlassdruck (**LP**, Messgerät Niedrigdruck) und drehen Sie das EINLASSVENTIL (V1) *langsam* in die Position **OFFEN**.



Aus dem Kompressor kann ein Klopfgeräusch kommen, wenn die Vortex Dual versucht, eine größere Flüssigkeitsmenge rückzugewinnen. Um Schäden am Kompressor zu vermeiden, drosseln Sie den Durchfluss am Ventil **FLÜSSIGKEIT** auf dem Messgerätesatz VERTEILER oder am EINLASSVENTIL (**V1**) der Vortex Dual.

- 9** Sobald die Flüssigkeit rückgewonnen wurde, transferieren Sie den verbleibenden Dampf; drehen Sie das EINLASSVENTIL (**V1**) in die Position **OFFEN**. Die Ventile **FLÜSSIGKEIT** und **DAMPF** auf dem Messgerät VERTEILER müssen **OFFEN** sein.
- 10** Fahren Sie fort, bis das Messgerät **LP** das Erreichen des erforderlichen Vakuums anzeigt.
- 11** Schalten Sie die Vortex Dual aus und schließen Sie das EINLASSVENTIL (**V1**). Warten Sie fünf Minuten.

Wenn das Messgerät VERTEILER anzeigt, dass der Druck über **0 PSIG** (0 bar) angestiegen ist, ist immer noch Kältemittel vorhanden.

- ♦ Öffnen Sie das EINLASSVENTIL (**V1**) und schalten Sie die Vortex Dual wieder ein.
- ♦ Lassen Sie die Vortex Dual laufen, bis das erforderliche Vakuum wieder erreicht wurde.
- ♦ Warten Sie fünf Minuten. Wiederholen Sie den Prozess, bis das gesamte Kühlmittel entfernt wurde und der Druck **0 PSIG** (0 bar) oder weniger beträgt.

- 12** Spülen Sie die Vortex Dual unmittelbar danach. Ein Spülen ist erforderlich, um alle Kühlmittelreste aus dem Inneren der Vortex Dual sowie aus dem Schlauch vom Auslass zum Rückgewinnungstank zu entfernen. Siehe [Abschnitt 3.3](#).

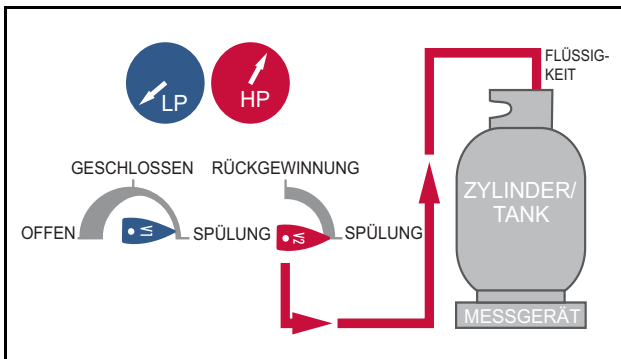
3.3 Spülen der Vortex Dual

- 1 Drehen Sie das Ventil SPÜLEN/RÜCKGEWINNEN (V2) bei ausgeschalteter Vortex Dual auf **SPÜLEN**. Siehe [Abb. 2](#).
- 2 Schalten Sie die Vortex Dual ein und *drehen* Sie das EINLASSVENTIL (V1) langsam auf **SPÜLEN**.
- 3 Lassen Sie die Vortex Dual laufen und überwachen Sie das Messgerät LP, bis ein Vakuum von mindestens **20 In/Hg** (0.7 bar) erreicht wurde.
- 4 Schalten Sie die Vortex Dual aus und schließen Sie *sofort* die Ventile auf dem Rückgewinnungstank. Drehen Sie das EINLASSVENTIL (V1) in die Position **GESCHLOSSEN**.



Der Schlauch und der Auslass enthalten dann noch eine kleine Menge an unter Druck stehendem Kältemittel. Nehmen Sie diesen Schlauch sehr vorsichtig ab.

Abb. 2 Einrichtungsverfahren für Spülung



3.4 Push-Pull-Betrieb

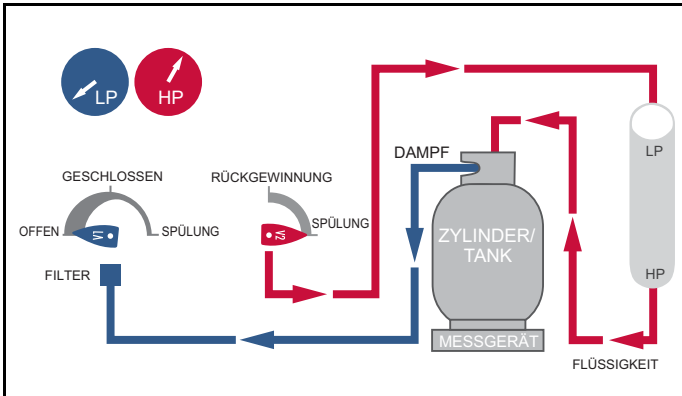
Die Push-Pull-Rückgewinnungsmethode wird zum Bewegen großer Mengen an flüssigem Kältemittel verwendet. In diesem Prozess zieht die Rückgewinnungseinheit Dampf aus dem Rückgewinnungszylinder und produziert dabei ein unter hohem Druck stehendes Spülgas, das Flüssigkeit aus dem HVAC-System zurück in den Rückgewinnungszylinder drückt. Mit diesem Verfahren können Rückgewinnungsraten von mehr als 7 kg pro Minute erreicht werden.

HINWEIS: Versuchen Sie nicht, das Push-Pull-Verfahren zu verwenden, wenn das System nicht mindestens 7 kg Flüssigkeit enthält, die leicht isoliert werden können.

Um ein Überfüllen zu vermeiden, verwenden Sie das Messgerät, um sicherzustellen, dass der Tank nicht um mehr als 80 % seiner Kapazität (nach Gewicht) befüllt wird. Beachten Sie das Tankgewicht genau, da beim Push-Pull wegen des schnellen Transfers 80 % der Kapazität schnell erreicht werden können.

Schließen Sie die Kältemittelschläuche an (siehe Abb. 3). Ein Schauglas (nicht mitgeliefert) hilft dabei, zu erkennen, wann die Flüssigkeit verdrängt wurde und nur Dampf verbleibt.

Abb. 3 Einrichtungsverfahren für das Push-Pull-Verfahren



3.5 Kühlen des Rückgewinnungstanks

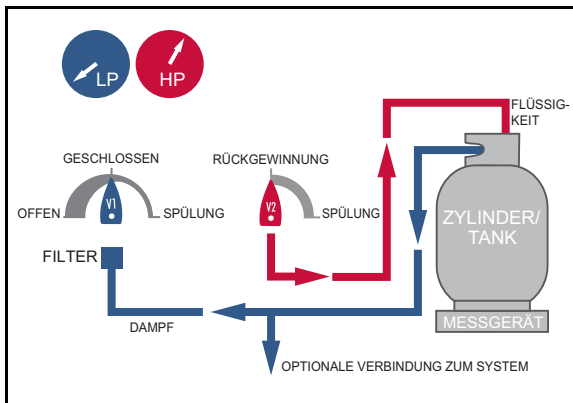
Die Vortex Dual kann zum Vorkühlen (oder Unterkühlen) des Rückgewinnungstanks verwendet werden, wenn der Kopfdruck zum Abschließen des Rückgewinnungsprozesses zu hoch ist. Wenn der Umgebungsdruck zu hoch ist, kann beim Verarbeiten bestimmter Kältemittel, die einen hohen Dampfdruck haben, ein hoher Kopfdruck entstehen.

HINWEIS: Der Rückgewinnungstank muss mit mindestens 2,5 kg Flüssigkeit befüllt sein, damit sich ein Druckunterschied entwickeln kann.

Ein Unterkühlen des Tanks vor dem Beginn des Rückgewinnungsprozesses hat nur wenige oder gar keine Vorteile.

Wenn der Rückgewinnungsprozess aufgrund eines zu hohen Kopfdrucks stagniert, schalten Sie die Vortex Dual aus, schließen Sie die Schlauchventile und konfigurieren Sie die Einrichtung wie in **Abb. 4** dargestellt.

Abb. 4 Einrichtungsverfahren für die Unterkühlungsmethode



- 1 Drehen Sie **V2** an der Vortex Dual auf **RÜCKGEWINNEN** und öffnen Sie die Ventile **FLÜSSIGKEIT** und **DAMPF** am Zylinder.
- 2 Schalten Sie die Vortex Dual ein.
- 3 Drehen Sie **V1** an der Vortex Dual auf **OFFEN**.
- 4 Drosseln Sie am Zylinder durch langsames Schließen des Ventils **FLÜSSIGKEIT** den Flüssigkeitsdurchfluss, um einen Druckunterschied von mindestens **0.7 MPa** (7 bar, 100 PSIG) zwischen Niederdruck- und Hochdruck-Messgerät zu erzeugen.

HINWEIS: Um ein Auslösen der Hochdruck-Abschaltvorrichtung zu vermeiden, lassen Sie den Wert am Hochdruck-Messgerät **3.8 MPa** (38 bar, 550 PSIG) nicht übersteigen.

- 5 Sobald der Rückgewinnungstank leer ist, schalten Sie die Vortex Dual aus und konfigurieren Sie sie wieder auf die Einrichtung für die Standard-Rückgewinnung. Wiederholen Sie den Vorgang so oft wie erforderlich.

3.6 **Besondere Betriebshinweise**

Während des Standardbetriebs wird der Hochdruckschalter zurückgesetzt, wenn der Kopfdruck auf unter ca. 2.9 MPa (29 bar, 425 PSI) abfällt; die Vortex Dual startet automatisch neu.

4.0 **Wartung**

Der Wartungsaufwand der Vortex Dual ist minimal, aber wichtig, damit die Maschine viele Einsatzperioden lang zuverlässig funktioniert. Reinigen Sie die Vortex Dual nach jeder Anwendung mit einem feuchten Tuch von Schmutz und Öl.



Verwenden Sie zum Reinigen der Vortex Dual kein Benzin oder andere gefährliche Lösungsmittel; hierdurch kann das Kunststoffgehäuse beschädigt werden. Standard-Haushaltsreinigungsmittel oder Isopropylalkohol können verwendet werden, dürfen jedoch nicht in das Innere der Maschine eindringen.

Die Einlässe und Auslässe müssen bei Transport und Lagerung geschützt sein; die Innendurchmesser und die Außengewinde sauber halten.

HINWEIS: Um beste Ergebnisse zu erzielen, den Filter am Einlass montiert lassen und regelmäßig wechseln.

5.0 Fehlerbehebung

PROBLEM	URSACHE	ABHILFE
Die Vortex Dual lässt sich nicht einschalten; der Kompressor läuft nicht an	<ol style="list-style-type: none"> 1. Netzkabel nicht angeschlossen 2. Steckdose ohne Spannung 3. Trennschalter hat ausgelöst 4. Entladedruck zu hoch; Hochdruckschalter hat ausgelöst 5. Elektronikfehler im Motor 	<ol style="list-style-type: none"> 1. Netzkabel anschließen 2. Spannungsversorgung überprüfen 3. Ursache der Trennschalteraktivierung herausfinden, beheben und Trennschalter zurücksetzen 4. Druck reduzieren; V2 auf Spülen und dann zurück auf Rückgewinnung stellen 5. Instandsetzung im Werk erforderlich
Der Kompressor startet, stirbt aber nach wenigen Minuten ab; die Druckanzeige auf dem Hochdruck-Messgerät ist hoch	<ol style="list-style-type: none"> 1. Ventil Rückgewinnungstank ist nicht geöffnet 2. Entladeschlauch blockiert 3. Luft im System/Tank 	<ol style="list-style-type: none"> 1. Tankventil öffnen 2. Prüfen und Blockierung entfernen 3. System/Tank entlüften
Der Kompressor stoppt sofort	<ol style="list-style-type: none"> 1. Der Kältemittel-Dampfdruck im Tank ist nahe am Auslösepunkt des Hochdruckschalters 2. Der Wärmeüberlastschalter im Kompressor ist aktiviert 	<ol style="list-style-type: none"> 1. Tanktemperatur reduzieren 2. Menge der gepumpten Flüssigkeit reduzieren; vor dem Fortfahren Maschine abkühlen lassen

Deutsch

PROBLEM	URSACHE	ABHILFE
Die Vortex Dual überhitzt	Übermäßiger Kopfdruck aufgrund von: 1. Hoher Umgebungstemperatur 2. Entladeschlauch verengt 3. Luft im Rückgewinnungstank	1. Tanktemperatur reduzieren 2. Prüfen und Verengung beseitigen 3. Tank entlüften
Rückgewinnungsprozess zu langsam	1. Kopfdruck zu hoch 2. Systemkältemittel eingefroren 3. Kompressordichtungen verschlissen	1. Tanktemperatur reduzieren oder Tanks austauschen 2. Prozess unterbrechen, um Eis verdampfen zu lassen 3. Kompressor mit Wartungssatz neu aufbauen – Fachhändler um Unterstützung bitten

6.0 Service

Das Vortex Dual verwendet elektrische Komponenten, die von internationalen Sicherheitsbehörden anerkannt sind oder Komponenten, die speziell für diese Anwendung entwickelt wurden.



Verändern Sie diese Bauteile nicht, da dies die Sicherheit gefährden könnte. Alle Wartungsarbeiten müssen in einer von INFICON freigegebenen Werkstatt durchgeführt werden, um den Sicherheitsgrad und die Garantie beizubehalten.

Wenn die Vortex Dual defekt ist, senden Sie sie nicht direkt an das Werk. Technische Unterstützung oder Serviceinformationen erhalten Sie bei INFICON oder Ihrem Fachhändler.

7.0 Ersatzteile und Zubehör

Die folgenden Ersatz- und Zubehörteile sind über viele Vertriebshändler zu beziehen. INFICON oder Ihr zuständiger Vertriebshändler kann Sie über die Verfügbarkeit der Teile informieren.

Netzkabel (115 V)	068-0684
Netzkabel (230 V)	068-0685
Niederdruckmanometer	722-406-P1
Hochdruckmanometer	722-407-P1
Tragriemen	722-408-P1
Filtertrockner (1/4 Zoll, Stecker/Stecker)	722-409-P1

8.0 EPA-Anforderungen (Nur Teilnr. 714-202-G1)

Unter Absatz 608 des Clean Air Act (40 CFR Teil 82) hat die Environmental Protection Agency (EPA) Richtlinien erlassen, die alle Aspekte der Rückgewinnung von Kältemitteln regeln.

In diesen Richtlinien sind Wartungsverfahren festgelegt, die das Recycling von Ozon freisetzenden Stoffen bei der Wartung und Entsorgung von Kühl- und Klimaanlageanlagen fördert.

Außerdem wurden Zertifizierungsanforderungen für Rückgewinnungsausrüstungen und -techniker festgelegt. Die INFICON Vortex Dual wurde durch ein unabhängiges Labor für den Gebrauch EPA-zertifiziert.

Außerdem hat die EPA Entleerungsanforderungen für zu Wartungszwecken verwendete HVAC/R-Ausrüstungen aufgestellt, um die Freisetzung von CFC oder HCFC in die Atmosphäre zu minimieren.

- ♦ Techniker, die Kleingeräte wie z. B. Haushaltskühlschränke, Kleinklimaanlagen und Wasserkühler reparieren, müssen 80 % des Kältemittels rückgewinnen, wenn der Kompressor im Gerät nicht funktioniert.
- ♦ Wenn der Kompressor im Gerät funktioniert, müssen Techniker, die Kleingeräte reparieren, 90 % des Kältemittels rückgewinnen.

HINWEIS: Diese Anforderungen werden auch eingehalten, wenn das Kleingerät mit der Rückgewinnungsmaschine auf ein Vakuum von 10 cm Quecksilbersäule entleert wird.

Andere Anforderungen sind in [Tabelle 7-1 auf Seite 68](#) festgelegt.

Tabelle 7-1 EPA-Anforderungen

GERÄTETYP	ERFORDERLICHES VAKKUM IN ZOLL QUECKSILBERSÄULE
Gerät mit HCFC-22 mit normalerweise weniger als 90 kg Kältemittel	0
Gerät mit HCFC-22 mit normalerweise mehr als 90 kg Kältemittel	10
Andere Hochdruckgeräte mit normalerweise weniger als 90 kg Kältemittel	10
Andere Hochdruckgeräte mit normalerweise mehr als 90 kg Kältemittel	15
Geräte mit sehr hohem Druck (CFC-13, -503)	0
Niederdruckgeräte (CFC-11, HCFC-123)	25*

Deutsch

*mm Hg absolut

Die EPA fordert, dass Wartungstechniker erworbene Rückgewinnungsausrüstungen bei einem Regionalbüro der EPA registrieren lassen und dass diese den im Clean Air Act festgelegten Regeln entsprechen. Formulare hierfür sind in den EPA-Regionalbüros erhältlich.

Fragen über die EPA-Anforderungen beantwortet die Ozonschutz-Hotline gebührenfrei unter der Nummer 1.800.296.1996.

Indice

La sicurezza prima di tutto!	70
Sicurezza del prodotto	70
Responsabilità	70
Marchi	70
Certificazione EPA	71
Dichiarazione di conformità.	71
1.0 Precauzioni di sicurezza	72
2.0 Specifiche tecniche, caratteristiche e garanzia	73
2.1 Vortex Dual: specifiche	73
2.2 Garanzia	74
3.0 Configurazione e funzionamento	74
3.1 Guida introduttiva	74
3.2 Operazione di recupero standard	76
3.3 Spurgo di Vortex Dual	78
3.4 Funzionamento Push-Pull	79
3.5 Raffreddamento del serbatoio di recupero	80
3.6 Note operative speciali	81
4.0 Manutenzione	81
5.0 Risoluzione dei problemi	81
6.0 Assistenza	83
7.0 Requisiti EPA (solo PN 714-202-G1)	84

Grazie per aver acquistato l'Unità di recupero refrigeranti INFICON® Vortex® Dual! Per ottenere prestazioni ottimali dalla vostra Vortex Dual, consigliamo di leggere attentamente il presente manuale prima di iniziare a servirsi del dispositivo.

Per domande aggiuntive o per richiedere ulteriore assistenza, contattare INFICON.

USA: +1.800.344.3304 o service.tools@inficon.com

Europa: +49 221 56788-660 o servicetools.europe@inficon.com

La sicurezza prima di tutto!



Questo simbolo ha l'obiettivo di segnalare la presenza, nel manuale, di elementi critici riguardanti il funzionamento, la sicurezza o la manutenzione (assistenza).

Sicurezza del prodotto

Vortex Dual è una macchina di recupero per un'ampia gamma di refrigeranti. Recuperare i refrigeranti in serbatoi separati comporta un processo di compressione del gas, con conseguenti alte pressioni all'interno della macchina, dei tubi di collegamento e del serbatoio di accumulo.



Se non gestiti correttamente e con cura, i sistemi ad alta pressione possono provocare incidenti o lesioni.

Al fine di ridurre il rischio di perdite di refrigerante nell'atmosfera quando si cambiano i serbatoi o si modifica la configurazione dell'impianto, i raccordi devono essere dotati di opportuni dispositivi di intercettazione montati entro 30,5 centimetri (12 pollici) dalle estremità.

Responsabilità



Non utilizzare Vortex Dual se non adeguatamente addestrati nel processo di recupero. L'uso di questa macchina da parte di personale non qualificato è potenzialmente pericoloso.

Marchi

I marchi dei prodotti menzionati in questo manuale appartengono alle aziende titolari.

INFICON®, Vortex®, Compass®, D-TEK® Select, TEK-Mate® e Wey-TEK™ sono marchi di INFICON.

Tutti gli altri marchi e nomi di prodotto sono marchi o marchi registrati delle rispettive società.

Le informazioni contenute in questo manuale sono ritenute accurate e affidabili. Tuttavia, INFICON non si assume alcuna responsabilità in merito al suo utilizzo e non sarà responsabile per danni particolari, incidentali o consequenziali relativi all'impiego di questo prodotto.

© 2016 Tutti i diritti riservati.

La riproduzione o l'adattamento di qualsiasi parte del presente manuale senza autorizzazione è illegale.

Certificazione EPA

INFICON Vortex Dual (solo PN 714-202-G1) è una macchina certificata EPA in accordo alle norme contenute nella Sezione 608 del Clean Air Act. La conformità dell'unità rispetto allo standard ARI 740 è stata testata e certificata in modo indipendente da Intertek.



Dichiarazione di conformità UE

Si rilascia la presente dichiarazione di prestazione sotto la responsabilità esclusiva del fabbricante INFICON. Lo scopo della dichiarazione è certificare che questa apparecchiatura, progettata e prodotta da INFICON, è conforme alla pertinente normativa comunitaria di armonizzazione. È stata realizzata conformemente alle direttive comunitarie riguardanti la sicurezza delle macchine e non mette a repentaglio la sicurezza di persone, animali domestici o cose se adeguatamente installata, mantenuta e usata per l'impiego cui è destinata e per cui è stata costruita.

Descrizione dell'apparecchiatura	recupero refrigeranti Vortex Dual
Modello	714-202-Gxx (Numerazione applicabile a tutti i prodotti della stessa famiglia)
Direttive applicabili	2014/35/UE (LVD) 2014/30/UE (EMC) 2011/65/UE (RoHS)
Norme applicabili	EN 60335-1:2012/A11:2014 EN 55014-1:2006/A2:2011 / CISPR14-1:2005/A2:2011 EN 50581:2013
Data di attuazione CE	20 aprile 2016

Italiano

Rappresentante dell'Azienda Produttrice
 Brian King
 INFICON
 Business Line Manager – Service Tools
 Two Technology Place
 East Syracuse, NY USA 13057

Rappresentante autorizzato per UE
INFICON GmbH
 50968 Köln, Bonner Str. 498

Eventuali quesiti relativi a questa dichiarazione o alla sicurezza dei prodotti della INFICON devono essere rivolti, per iscritto, al dipartimento addetto alla garanzia di qualità indicato in alto.

1.0 Precauzioni di sicurezza

Prima di utilizzare Vortex Dual, leggere attentamente questo manuale per acquisire familiarità con le specifiche e le caratteristiche di utilizzo. Per i requisiti di sicurezza e di movimentazione da adottare relativamente ai refrigeranti da recuperare, invitiamo a consultare le schede di sicurezza (Material Safety Data Sheets - MSDS) nonché le informazioni relative a temperatura e tensione di vapore.



Quando si interviene sui sistemi di refrigerazione invitiamo a indossare guanti, occhiali e calzature di protezione.



Il vapore di refrigerante può essere pericoloso e i suoi prodotti possono essere letali.



Motori e interruttori possono generare scintille e si possono quindi rivelare particolarmente pericolosi in ambienti infiammabili. Lavorare soltanto in luoghi ben ventilati, dotati di un impianto di areazione meccanica in grado di garantire un tasso pari ad almeno quattro ricambi d'aria completi all'ora. Non lavorare in ambienti chiusi senza un adeguato equipaggiamento di sicurezza. Potrebbe essere necessario installare una ventola di circolazione separata.



Per il rilevamento delle perdite, non usare mai ossigeno. In presenza di olio e pressione, l'ossigeno può combinarsi e generare una miscela esplosiva. Eseguire il rilevamento delle perdite attenendosi unicamente alle procedure consigliate. Per ottenere i migliori risultati, utilizzare un rilevatore di refrigerante, come ad esempio Compass, TEK-Mate o D-TEK Select di INFICON.



Non mescolare i refrigeranti. Utilizzare cilindri di stoccaggio, tubi e filtri separati per ciascun tipo di refrigerante recuperato. Conservare i refrigeranti in un luogo fresco e asciutto.



Non riempire eccessivamente i contenitori di stoccaggio. I serbatoi eccessivamente pieni potrebbero rompersi ed esplodere. Utilizzare una bilancia per refrigerante, come ad esempio la soluzione Wey-TEK di INFICON per evitare l'eccessivo riempimento dei serbatoi.




In fase di apertura delle valvole di servizio o del cilindro, agire lentamente al fine di garantire che tutti i collegamenti siano ben saldi e privi di pericoli.





Scollegare l'alimentazione prima di spostare o effettuare manutenzioni su Vortex Dual.




Se vengono rimosse le coperture di Vortex Dual, è possibile essere esposti a parti calde del compressore o a scosse elettriche. Vortex Dual deve essere aperto esclusivamente da un tecnico qualificato e preparato in elettronica di base e refrigerazione.

 Servirsi unicamente del cavo di alimentazione fornito da INFICON. Qualora il cavo venga perso o danneggiato, vi invitiamo a contattare INFICON per informazioni su come ottenere una sostituzione.

 Quando sono collegati a Vortex Dual, i cavi-prolunga si possono surriscaldare a causa dell'assorbimento di corrente. Qualora sia necessaria una prolunga, utilizzare un cavo il più corto possibile ed esclusivamente delle dimensioni di 14 AWG o superiori per 115 V (ca) o di 1,00 mm² o superiori per 230 V (ca).

 Non utilizzare Vortex Dual vicino recipienti aperti contenenti benzina o altri liquidi infiammabili.

 Questo prodotto è stato progettato per essere utilizzato esclusivamente con refrigeranti e non deve essere utilizzato con refrigeranti infiammabili. Qualsiasi altro uso del presente prodotto è sconsigliato da INFICON e potrebbe causare lesioni personali. L'uso di questo prodotto diverso da quello previsto è effettuato a rischio e pericolo dell'utente.

2.0 Specifiche tecniche, caratteristiche e garanzia

2.1 Vortex Dual: specifiche

Refrigeranti	R-12, R-1234yf, R-134a, R-22, R-401A, R-401B, R-401C, R-402A, R-402B, R-404A, R-407A, R-407B, R-407C, R-408A, R-409A, R-410A, R-500, R-502, R-507
Alimentazione	115 V (CA), 60 Hz, 12 A, o 230 V (CA) 50/60 Hz, 10 A (a seconda della versione)
Protezione	Pressostato di alta pressione con arresto a 3.8 MPa (38 bar, 550 PSI); Protezione termica per il motore del compressore
Pressione	Pressione di progetto low-side: 2.4 MPa, (24 bar, 350 PSI); Pressione di progetto high-side: 3.8 MPa (38 bar, 550 PSI)
Temperatura	Campo di funzionamento da 10 a 40 °C (da 50 a 104 °F)
Grado di inquinamento	2
Protezione d'ingresso	IP20
Certificazione EPA (solo PN 714-202-G1)	Certificato per i refrigeranti elencati alle categorie III, IV e V di cui allo standard ARI 740-1998

Italiano

2.2 Garanzia

INFICON garantisce l'unità di recupero refrigerante Vortex Dual da difetti di fabbricazione e da difetti dei materiali per tre anni a partire dalla data di acquisto. La garanzia INFICON non copre le unità utilizzate in modo improprio, con negligenza o incidentate, e neppure riparate o modificate da chiunque al di fuori di INFICON stessa.

Il compressore è coperto da garanzia del costruttore per un periodo di tre anni. Per mantenere in vigore la garanzia del compressore, sarà necessario utilizzare sempre un filtro (incluso) sulla porta o sul tubo di aspirazione per impedire l'ingresso di particelle all'interno del compressore stesso. *Il mancato utilizzo del filtro in dotazione invalida la garanzia del compressore.*

La responsabilità INFICON è limitata alla riparazione o alla sostituzione, a propria scelta, dell'unità o del componente difettoso. Qualora si manifestasse un difetto, la richiesta a INFICON deve pervenire entro e non oltre trenta (30) giorni dalla scadenza del periodo di garanzia, con trasporto pre-pagato. Sarà cura di INFICON determinare se il malfunzionamento dell'unità è legato a difetti dei materiali o a difetti costruttivi.

Questa garanzia sostituisce tutte le altre garanzie, esplicite o implicite, di commerciabilità, idoneità per un particolare scopo, o altro. Tutte le altre garanzie sono espressamente escluse.

INFICON non avrà alcuna responsabilità che possa eccedere il prezzo pagato per l'unità INFICON Vortex Dual, oltre agli oneri del trasporto di restituzione prepagati. INFICON non si assume alcuna responsabilità per eventuali danni incidentali o consequenziali. Tali eventualità sono tutte escluse.

3.0 Configurazione e funzionamento

3.1 Guida introduttiva

Leggere l'intero contenuto del presente manuale prima di iniziare a utilizzare Vortex Dual.



La mancata osservanza delle corrette precauzioni di sicurezza può causare al personale lesioni o morte. Non utilizzare Vortex Dual se non si ha una formazione adeguata sui processi di recupero.

- 1 Installare il filtro in dotazione sull'aspirazione. Vortex Dual è dotato di un raccordo femmina a svasatura (flare fitting) per il refrigerante, e si collega con raccordi svasati maschio.
- 2 Fissare i tubi al filtro.



Non utilizzare alcun raccordo adattatore al posto di un filtro. L'uso di un raccordo adattatore può danneggiare le valvole e invalidare la garanzia.

- 3 Collegare un raccordo dalla valvola di scarico al serbatoio di recupero. Collegare gli altri raccordi tra i componenti del sistema, come indicato in [Figura 1 a pagina 76](#).
- 4 Collegare il cavo di alimentazione CA a un circuito protetto da un interruttore di dimensioni adeguate. Qualora sia assolutamente necessario fare ricorso a una prolunga, assicurarsi che soddisfi le seguenti condizioni:
 - ♦ la lunghezza non deve essere eccessiva
 - ♦ deve avere il filo di terra di sicurezza
 - ♦ dimensioni del cavo 14 AWG o superiori per 115 V (ca) o di 1,0 mm² o superiori per 230 V (ca).



I serbatoi eccessivamente pieni possono rompersi ed esplodere. durante il funzionamento in modalità di recupero standard o push-pull, è possibile che il serbatoio si riempia eccessivamente. Utilizzare una bilancia per refrigerante per controllare che il serbatoio non superi l'80% della sua capacità, in peso. Controllare il peso del serbatoio prima del trasporto.



Evitare che Vortex Dual recuperi grandi quantità di liquido troppo in fretta.

NOTA: Quando il liquido è presente in notevole quantità ed entra nell'unità troppo rapidamente durante il processo di recupero del refrigerante, provoca una condizione chiamata "slugging" o "colpo di liquido"

Un colpo di liquido può attivare un intervento di alta pressione e prolungare il processo di recupero del refrigerante. Se Vortex Dual recupera grandi quantità di liquido troppo velocemente (o se si manifesta un colpo di liquido), il compressore può diventare fonte di forti rumori.



La garanzia del compressore non copre i danni causati dal recupero eccessivamente rapido di grandi quantità di liquido.

Monitorare con attenzione il processo di recupero. Se il compressore emette dei colpi:

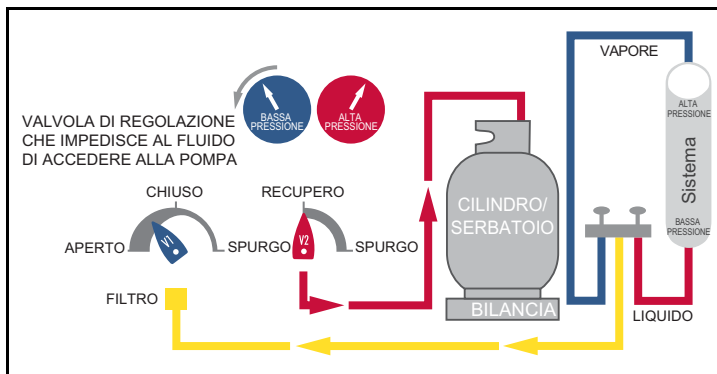
- ♦ ruotare la valvola **ASPIRAZIONE** (INLET) in senso orario, o
- ♦ regolare le valvole del **GRUPPO** manometrico (MANIFOLD gauge) fino a quando i colpi non si arrestano.

3.2 Operazione di recupero standard

- 1 Collegare tutti i cavi e i raccordi come descritto in [sezione 3.1](#).

NOTA: Assicurarsi che tutti i collegamenti siano ben saldi e che cavi e tubi non interferiscano con il processo di recupero. Vedere [Figura 1](#).

Figura 1 Procedura per il recupero del refrigerante in modalità standard



- 2 Assicurarsi che il raccordo che collega Vortex Dual al serbatoio di recupero sia collegato alla porta **LIQUID (LP)**.
- 3 **APRIRE** la valvola **LP** sul serbatoio. Tenere la porta **VAPOR CHIUSA**.
- 4 Ruotare la valvola **INLET** (aspirazione - **V1**) su **CLOSE**.
- 5 Impostare la valvola **PURGE/RECOVER** (spurgo/recupero - **V2**) in posizione **RECOVER**.
- 6 Ruotare lentamente la valvola **LIQUID** sul GRUPPO manometrico impostandola su **OPEN**. Assicurarsi che non vi siano perdite.
- 7 Accendere Vortex Dual.
- 8 Monitorare la pressione di aspirazione (**LP**, Manometro bassa pressione) e ruotare *lentamente* la valvola di **INLET** (aspirazione - **V1**) su **OPEN**.



Nel caso in cui Vortex Dual tenti di recuperare una notevole quantità di liquido, il compressore potrebbe emettere dei colpi. Al fine di evitare danni al compressore, agire sulla valvola **LIQUID** sul GRUPPO manometrico, o sulla valvola **INLET** (aspirazione - **V1**) su Vortex Dual.

- 9** Una volta che il liquido è stato recuperato, trasferire il vapore residuo; ruotare la valvola INLET (aspirazione - **V1**) su **OPEN**. Assicurarsi che le valvole **LIQUID** e **VAPOR** del gruppo manometrico siano su **OPEN**.
- 10** Continuare ad operare fino a quando il manometro **LP** indica che la condizione di vuoto richiesta è stata raggiunta.
- 11** Spegnerne Vortex Dual e chiudere la valvola INLET (aspirazione - **V1**). Attendere cinque minuti.

Se il GRUPPO manometrico indica che la pressione è salita oltre **0 PSIG**, (0 bar) significa che è ancora presente del refrigerante.

- ♦ Aprire la valvola INLET (aspirazione - **V1**) e accendere Vortex Dual.
 - ♦ Mettere in funzione Vortex Dual fino a che non viene raggiunta nuovamente la condizione di vuoto.
 - ♦ Attendere cinque minuti. Ripetere questo processo fino a quando tutto il refrigerante viene rimosso e la pressione scende a **0 PSIG** (0 bar), o meno.
- 12** Spurgare immediatamente Vortex Dual. Lo spurgo è necessario per rimuovere ogni residuo di refrigerante dai componenti interni di Vortex Dual nonché dal tubo di mandata al serbatoio di recupero. Vedere [sezione 3.3](#).

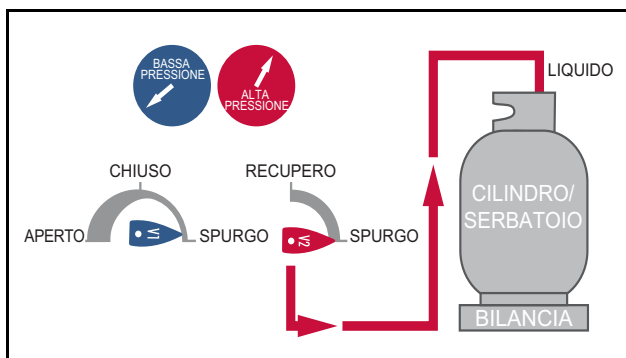
3.3 Spurgo di Vortex Dual

- 1 Mentre Vortex Dual è spento, ruotare la valvola PURGE/RECOVER (spurgo/recupero - **V2**) su **PURGE**. Vedere [Figura 2](#).
- 2 Accendere Vortex Dual e *lentamente* ruotare la valvola INLET (aspirazione - **V1**) su **PURGE**.
- 3 Mettere in funzione Vortex Dual e controllare il manometro LP finché si ottiene un vuoto di **20 In/Hg** (0.7 bar) o superiore.
- 4 Spegner Vortex Dual e chiudere *immediatamente* le valvole del serbatoio di recupero. Ruotare la valvola INLET (aspirazione - **V1**) su **CLOSE**.



Il tubo e la porta di scarico contengono una piccola quantità di refrigerante in pressione. Prestare attenzione durante la rimozione di questo tubo.

Figura 2 Procedura di spurgo



3.4 Funzionamento Push-Pull

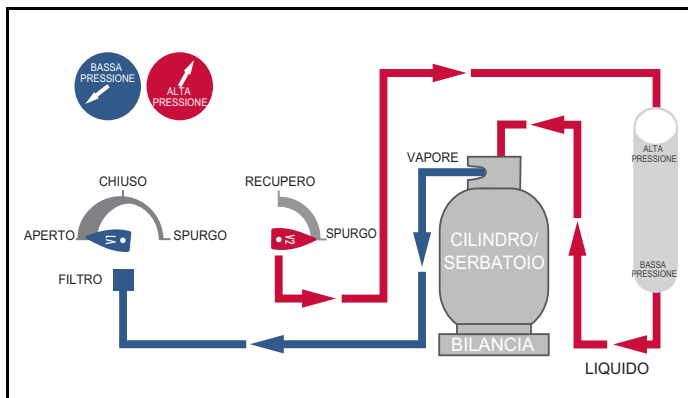
Il metodo di recupero push-pull è utilizzato per spostare grandi quantità di refrigerante liquido. Durante questo processo, l'unità di recupero estrae vapore dal cilindro di recupero e produce gas di scarico ad alta pressione che spingono il liquido fuori dal sistema HVAC e di nuovo nel cilindro di recupero. Utilizzando questa procedura è possibile raggiungere livelli di recupero superiori a 7 kg (15 lb.) al minuto.

NOTA: Non utilizzare il processo push-pull se il sistema non contiene almeno 7 kg (15 lb.) di liquido facilmente isolabile.

Per evitare un eccessivo riempimento, usare la bilancia e assicurarsi che nel serbatoio non venga superato l'80% della sua capacità, in peso. Monitorare con attenzione il peso del serbatoio: durante il processo push-pull l'80% della capacità può essere raggiunta rapidamente a causa della rapidità del trasferimento.

Collegare i raccordi del refrigerante (vedere [Figura 3](#)). Una spia, non fornita in dotazione, può aiutare a determinare se il liquido è stato trasferito e se rimane del vapore.

Figura 3 Procedura per il metodo push-pull



Italiano

3.5 Raffreddamento del serbatoio di recupero

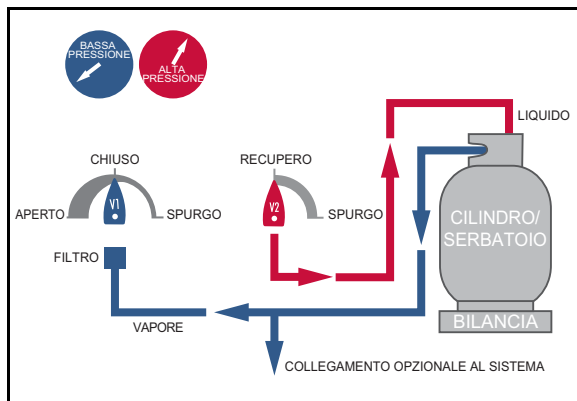
Se la pressione di mandata è troppo elevata per completare il processo di recupero, Vortex Dual può essere usato per pre-raffreddare (o sub-raffreddare) il serbatoio di recupero. Se la pressione ambiente è troppo elevata, quando si utilizzano determinati refrigeranti con una elevata tensione di vapore può instaurarsi una pressione di mandata elevata.

NOTA: Il serbatoio di recupero deve contenere 2,5 chili o più di liquido, per consentire al differenziale di pressione di svilupparsi.

Il sub-raffreddamento del serbatoio prima di avviare il processo di recupero può garantire un beneficio minimo o nullo.

Se il processo di recupero va in stallo a causa dell'alta pressione di mandata, spegnere Vortex Dual, chiudere le valvole dei raccordi, e riconfigurare come indicato in [Figura 4](#).

Figura 4 Procedura per il metodo di sub-raffreddamento



- 1 Ruotare **V2** su Vortex Dual su RECOVER e aprire le valvole **LIQUID** e **VAPOR** sul cilindro.
- 2 Accendere Vortex Dual.
- 3 Ruotare **V1** su Vortex Dual su OPEN.
- 4 Sul cilindro, agire sul flusso di liquido chiudendo lentamente la valvola **LIQUID** per raggiungere un differenziale di pressione minimo di **0.7 MPa** (7 bar, 100 PSIG) tra gli indicatori di LP e HP.

NOTA: Per evitare l'intervento del pressostato di arresto HP, non consentire al manometro di HP di superare **3.8 MPa** (38 bar, 550 PSIG).

- 5 Una volta che il serbatoio di recupero è freddo, spegnere Vortex Dual e riconfigurare l'impostazione per il recupero standard. Ripetere se necessario.

3.6 Note operative speciali

Durante il funzionamento standard, il pressostato di alta pressione (High Pressure) si azzerà quando la pressione di mandata scende al di sotto di 2.9 MPa (29 bar, 425 PSI) circa: Vortex Dual si riavvierà quindi automaticamente.

4.0 Manutenzione

Per garantire una vita di servizio lunga e affidabile, Vortex Dual richiede una manutenzione minima, ma importante. Dopo ogni utilizzo, pulire Vortex Dual con un panno umido per rimuovere sporco e oli.



Non utilizzare benzina o altri solventi pericolosi per pulire Vortex Dual: ciò può danneggiare l'involucro di plastica. Utilizzare un detergente domestico standard o alcool isopropilico, ma evitare che il liquido penetri l'involucro esterno.

Assicurarsi che le prese di aspirazione e di scarico siano protette durante il trasporto e l'immagazzinaggio; mantenere le superfici interne e le filettature esterne libere e pulite.

NOTA: Per ottenere i migliori risultati, lasciare il filtro collegato alla porta di aspirazione. Sostituire regolarmente il filtro.

5.0 Risoluzione dei problemi

PROBLEMA	CAUSA	AZIONE
Vortex Dual non si accende, il compressore non si avvia	<ol style="list-style-type: none"> 1. Il cavo di alimentazione non è collegato 2. Nessuna tensione sulla presa 3. L'interruttore è aperto 4. La pressione di mandata è troppo alta; il pressostato HP è intervenuto 5. Guasto sull'elettronica del motore 	<ol style="list-style-type: none"> 1. Collegare il cavo di alimentazione 2. Verificare la presenza di tensione 3. Identificare la causa dell'intervento dell'interruttore, correggere e ripristinare 4. Ridurre la pressione; ruotare V2 su Purge, poi di nuovo su Recovery 5. Necessario l'intervento della fabbrica

PROBLEMA	CAUSA	AZIONE
Il compressore si avvia, ma mostra segni di incertezza dopo pochi minuti; il manometro HP indica una pressione elevata	<ol style="list-style-type: none"> 1. La valvola del serbatoio di recupero non è aperta 2. Raccordo di scarico bloccato 3. Aria nel sistema/serbatoio 	<ol style="list-style-type: none"> 1. Aprire la valvola del serbatoio 2. Controllare e rimuovere il blocco 3. Spurgare l'aria dal sistema/serbatoio
Il compressore si arresta a intermittenza	<ol style="list-style-type: none"> 1. La tensione di vapore del refrigerante nel serbatoio è prossima al punto di intervento HP 2. La protezione da sovra temperatura del compressore è attivata 	<ol style="list-style-type: none"> 1. Ridurre la temperatura del serbatoio 2. Ridurre la quantità di liquido che viene pompato; lasciar raffreddare prima di procedere
Vortex Dual si surriscalda	<p>Pressione di mandata eccessiva, a causa di:</p> <ol style="list-style-type: none"> 1. Temperatura ambiente elevata 2. Strozzatura nel tubo di scarico 3. Aria nel serbatoio di recupero 	<ol style="list-style-type: none"> 1. Ridurre la temperatura del serbatoio 2. Controllare e rimuovere la strozzatura 3. Spurgare l'aria dal serbatoio
Processo di recupero troppo lento	<ol style="list-style-type: none"> 1. La pressione di mandata è troppo alta 2. Il refrigerante del sistema è congelato 3. Le guarnizioni del compressore sono usurate 	<ol style="list-style-type: none"> 1. Ridurre la temperatura del serbatoio o sostituire i serbatoi 2. interrompere il processo per consentire al ghiaccio di sciogliersi 3. Ricondizionare il compressore con il kit di servizio - contattare il rivenditore per assistenza

6.0 Assistenza

Vortex Dual utilizza componenti elettrici riconosciuti da agenzie internazionali di sicurezza o componenti che sono stati appositamente progettati per questa applicazione.



Non modificare nessuno di questi componenti, in quanto ciò potrebbe compromettere la sicurezza. Per mantenere il grado di sicurezza e la garanzia, tutti gli interventi di riparazione devono essere effettuati presso una struttura approvata da INFICON.

Se difettoso, non restituire Vortex Dual direttamente alla fabbrica. Per assistenza tecnica o informazioni di servizio, è possibile rivolgersi a INFICON o al proprio rivenditore.

7.0 Ricambi e accessori

I ricambi e gli accessori seguenti sono disponibili presso molti distributori. Contattare INFICON o il distributore locale per verificare la disponibilità.

Cavo di alimentazione (115 V)	068-0684
Cavo di alimentazione (230 V)	068-0685
Manometro bassa pressione	722-406-P1
Manometro alta pressione	722-407-P1
Cinghia di trasporto	722-408-P1
Essiccatore (0,635 cm maschio-maschio)	722-409-P1

Italiano

8.0 Requisiti EPA (solo PN 714-202-G1)

Ai sensi della Sezione 608 del Clean Air Act (40 CFR Sezione 82), l'Environmental Protection Agency (EPA) ha stabilito delle regole che coprono tutti gli aspetti del processo di recupero del refrigerante.

Questi regolamenti definiscono le procedure di servizio che consentono di massimizzare il riciclo dei composti dannosi per l'ozono durante la manutenzione e lo smaltimento degli apparati di condizionamento e refrigerazione.

Tali regolamenti definiscono inoltre i requisiti di certificazione per le apparecchiature e per gli operatori tecnici addetti al recupero. Vortex Dual di INFICON è stato certificato EPA da parte di un laboratorio indipendente.

L'EPA ha anche definito i requisiti di svuotamento per gli apparati HVAC/R utilizzati per le attività di assistenza, con l'obiettivo di ridurre al minimo le emissioni di CFC o HCFC in atmosfera.

- ♦ I tecnici che riparano piccoli apparati - quali ad esempio frigoriferi domestici, condizionatori d'aria a finestra e refrigeratori d'acqua - devono recuperare l'80% del refrigerante quando il compressore nell'apparecchio non è più operativo.
- ♦ I tecnici che riparano i piccoli elettrodomestici devono recuperare il 90% del refrigerante quando il compressore dell'apparecchio è ancora operativo.

NOTA: Tali requisiti possono essere soddisfatti anche svuotando i piccoli elettrodomestici con l'unità di recupero, con un livello di vuoto pari a 10 cm di mercurio.

Altri requisiti sono riportati in [Tabella 7-1 a pagina 85](#).

Tabella 7-1 Requisiti EPA

TIPO DI APPARECCHIO	POLLICI DI HG DI VUOTO RICHIESTI
Apparati HCFC-22 contenenti in generale meno di 90 chili di refrigerante	0
Apparati HCFC-22 contenenti in generale 90 chili o più di refrigerante	10
Altri apparecchi ad alta pressione contenenti in generale meno di 90 chili di refrigerante	10
Altri apparecchi ad alta pressione contenenti in generale 90 chili o più di refrigerante	15
Apparecchi ad altissima pressione (CFC-13, -503)	0
Apparecchi a bassa pressione (CFC-11, HCFC-123)	25*

*mm Hg assoluto

L'EPA richiede ai tecnici di assistenza di certificare l'attrezzatura di recupero acquisita presso l'Ufficio Regionale EPA competente, e di certificare la conformità con le leggi vigenti stabilite dal Clean Air Act. I moduli sono disponibili presso l'Ufficio Regionale dell'EPA.

Per ulteriori informazioni sui requisiti EPA è possibile contattare la Hotline Ozone Protection, numero verde 1.800.296.1996.

Inhoudsopgave

Veiligheid staat voorop!	87
Productveiligheid	87
Verantwoordelijkheid	87
Handelsmerken	87
EPA-certificering	88
Conformiteitsverklaring	88
1.0 Veiligheidsmaatregelen	89
2.0 Specificaties, functies en garantie	90
2.1 Specificaties van Vortex Dual	90
2.2 Garantie	91
3.0 Instelling en bediening	91
3.1 Aan de slag gaan	91
3.2 Standaardbediening bij terugwinning	93
3.3 De Vortex Dual leegmaken	95
3.4 "Push-Pull"-bediening	96
3.5 Koelen van het terugwinningsreservoir	97
3.6 Speciale opmerkingen bij de bediening	98
4.0 Onderhoud	98
5.0 Probleemoplossing	98
6.0 Service	100
7.0 EPA-vereisten (alleen PN 714-202-G1)	101

Hartelijk dank voor het aanschaffen van de INFICON® Vortex® Dual terugwinningsmachine voor koelmiddel! Lees vóór het gebruik deze handleiding zorgvuldig door voor optimale prestaties van de Vortex Dual.

Neem als u nog vragen hebt of assistentie behoeft contact op met INFICON.

USA: +1.800.344.3304 of service.tools@inficon.com

Europa: +49 221 56788-660 of servicetools.europe@inficon.com

Veiligheid staat voorop!



Dit symbool is bedoeld om de gebruiker te attenderen op de aanwezigheid van belangrijke bedienings-, veiligheids- en onderhoudsinstructies (service) in deze handleiding.

Productveiligheid

De Vortex Dual is een terugwinningsmachine voor een breed scala van koelmiddelen. Het terugwinnen van koelmiddelen in aparte opslagreservoirs vindt plaats via een proces van gascompressie, dat resulteert in hoge druk binnenin de machine, de aansluitslangen en het opslagreservoir.



Hogedruksystemen kunnen bij onjuiste en onzorgvuldige behandeling ongevallen of letsel veroorzaken.

Koelslangen moeten over afsluitinrichtingen beschikken binnen 30,5 cm van de uiteinden om de kans op koelmiddellekken in de atmosfeer bij vervanging van reservoirs of verandering van installaties te verminderen.

Verantwoordelijkheid



Gebruik de Vortex Dual niet, tenzij u goed getraind bent in het terugwinningsproces. De bediening van deze machine door ongekwalificeerd personeel kan gevaarlijk zijn.

Handelsmerken

De handelsmerken van de producten vermeld in deze handleiding zijn eigendom van de bedrijven die ze produceren.

INFICON®, Vortex®, Compass®, D-TEK® Select, TEK-Mate® en Wey-TEK™ zijn handelsmerken van INFICON.

Alle andere merk- en productnamen zijn handelsmerken of gedeponeerde handelsmerken van hun respectievelijke bedrijven.

De informatie in deze handleiding wordt geacht correct en betrouwbaar te zijn. INFICON kan echter niet verantwoordelijk worden gesteld voor het gebruik ervan en is niet aansprakelijk voor enige speciale, incidentele of gevolgschade in verband met het gebruik van dit product.

© 2016 Alle rechten voorbehouden.

Verveelvoudiging of aanpassing van enig deel van deze handleiding zonder toestemming is onwettig.

EPA-certificering

De INFICON Vortex Dual (alleen PN 714-202-G1) is een door de EPA gecertificeerde machine in overeenstemming met Sectie 608 van de Clean Air Act (wet voor schone lucht). De machine is onafhankelijk door Intertek getest en gecertificeerd voor conformiteit met ARI-norm 740.



EU-conformiteitsverklaring

Deze verklaring wordt verstrekt onder volledige verantwoordelijkheid van de fabrikant INFICON. Het doel van deze verklaring is om te certificeren dat deze apparatuur, die is ontworpen en vervaardigd door INFICON, conform de relevante communautaire harmonisatiewetgeving is. Het is geconstrueerd volgens de praktijk van goed vakmanschap aangaande veiligheidsmaatregelen die van kracht zijn binnen de Gemeenschap en vormt geen gevaar voor de veiligheid van personen, huisdieren of eigendommen, indien het goed wordt geïnstalleerd, onderhouden en gebruikt, in toepassingen waarvoor het is gemaakt.

Beschrijving apparatuur	Vortex Dual terugwinningsmachine voor koelmiddel
Modelnummer	714-202-Gxx (Van toepassing voor alle groepsnummers)
Van toepassing zijnde richtlijnen	2014/35/EU (LVD) 2014/30/EU (EMC) 2011/65/EU (RoHS)
Van toepassing zijnde normen	EN 60335-1:2012/A11:2014 EN 55014-1:2006/A2:2011 / CISPR14-1:2005/A2:2011 EN 50581:2013
CE-implementatiedatum	20 april 2016

Nederlands



Vertegenwoordiger van de fabrikant
 Brian King
 INFICON
 Business Line Manager – Service Tools
 Two Technology Place
 East Syracuse, NY USA 13057

Gemachtigde binnen de EU
 INFICON GmbH
 50968 Köln, Bonner Str. 498

Vragen met betrekking tot deze verklaring of tot de veiligheid van producten van INFICON dienen schriftelijk te worden gericht aan de afdeling voor kwaliteitsborging op het bovenstaande adres.

1.0 Veiligheidsmaatregelen

Lees deze handleiding voordat u gebruik gaat maken van de Vortex Dual om vertrouwd te raken met de specificaties en bediening van deze machine. Raadpleeg de materiaal informatiebladen (MSDS) en de informatie over temperatuur en dampdruk voor de juiste veiligheids- en bedieningsvereisten met betrekking tot de koelmiddelen die worden teruggewonnen.



Draag handschoenen, oog- en voetbescherming als u werkt aan koelsystemen.



De damp van koelmiddelen kan gevaarlijk zijn en de bijproducten kunnen dodelijk zijn.



Motoren en schakelaars kunnen vonken genereren en met name gevaarlijk zijn in ontvlambare omgevingen. Werk uitsluitend in goed geventileerde ruimten, met mechanische ventilatie die ten minste vier keer per uur alle lucht ververst. Werk niet in een afgesloten ruimte zonder passende veiligheidsuitrusting. Het is misschien noodzakelijk om een aparte circulatieventilator te installeren.



Gebruik nooit zuurstof voor lekdetectie. Zuurstof kan een explosief mengsel worden bij aanwezigheid van olie en druk. Voer uitsluitend lekdetectie uit in overeenstemming met aanbevolen procedures. Maak voor de beste resultaten gebruik van een koelmiddeldetector, zoals INFICON D-TEK Select, Compass of TEK-Mate.



Vermeng nooit koelmiddelen. Gebruik aparte opslagcilinders, slangen en filters voor elk type teruggewonnen koelmiddel. Sla koelmiddelen op een koele en droge plek op.



Maak een opslagcontainer nooit te vol. Te volle reservoirs kunnen scheuren en exploderen. Gebruik een koelmiddelweegschaal zoals de INFICON Wey-TEK om overvullen te voorkomen.



Ga langzaam te werk bij het openen van service- of cilinderkleppen om er zeker van te zijn dat alle aansluitingen goed vastzitten en geen gevaar opleveren.



Koppel de voeding los voordat u de Vortex Dual verplaatst of hier onderhoud op uitvoert.



Het risico van elektrische schokken en blootstelling aan hete compressoronderdelen is mogelijk als de afdekkappen van de Vortex Dual worden verwijderd. De Vortex Dual mag alleen worden geopend door een gekwalificeerde technicus die is getraind in elementaire elektronica en koeling.



Gebruik uitsluitend het netsnoer dat door INFICON is geleverd. Als het snoer is kwijtgeraakt of beschadigd, neemt u contact op met INFICON voor informatie over het verkrijgen van een vervangend exemplaar.



Bij aansluiting op de Vortex Dual kan de bedrading van een verlengsnoer oververhit raken als er veel stroom wordt getrokken. Indien een verlengsnoer noodzakelijk is moet de kortst mogelijke lengte worden gebruikt en uitsluitend maat 14 AWG of groter voor 115 V (wisselstroom) of 1,00 mm² of groter voor 230 V (wisselstroom).



Gebruik de Vortex Dual niet in de buurt van open containers met benzine of andere ontvlambare vloeistoffen.



Dit product is uitsluitend ontworpen voor gebruik met koelvloeistoffen en is niet bedoeld voor gebruik met ontvlambare koelvloeistoffen. Elk ander gebruik van dit product wordt door INFICON afgeraden en kan leiden tot persoonlijk letsel. Het gebruik van dit product anders dan het beoogde gebruik is op eigen risico van de gebruiker.

2.0 Specificaties, functies en garantie

2.1 Specificaties van Vortex Dual

Koelmiddelen	R-12, R-1234yf, R-134a, R-22, R-401A, R-401B, R-401C, R-402A, R-402B, R-404A, R-407A, R-407B, R-407C, R-408A, R-409A, R-410A, R-500, R-502, R-507
Voeding	115 V (AC), 60 Hz, 12 A, of 230 V (AC), 50/60 Hz, 10 A (afhankelijk van versie)
Bescherming	Uitschakeling via hogedrukschakelaar bij 3.8 MPa (38 bar, 550 PSI) Compressormotor thermisch beveiligd
Druk	Laagste ontwerpdruk 2.4 MPa, (24 bar, 350 PSI); Hoogste ontwerpdruk 3.8 MPa (38 bar, 550 PSI)
Temperatuur	Bereik bedrijfstemperatuur 10 tot 40 °C (50 tot 104 °F)
Vervuilingsgraad	2
Indringingsbescherming .	IP20
EPA-certificering (alleen PN 714-202-G1) . .	Gecertificeerd voor alle koelvloeistoffen onder categorieën III, IV en V in ARI-norm 740-1998

2.2 Garantie

INFICON garandeert dat de Vortex Dual terugwinningsmachine voor koelmiddel vrij is van materiaal- of productiefouten gedurende een periode van drie jaar vanaf de datum van aankoop. INFICON geeft geen garantie op machines die onderhevig zijn geweest aan verkeerd gebruik, verwaarlozing of een ongeval of die zijn gerepareerd of aangepast door iemand anders dan INFICON.

Voor de compressor wordt een garantietermijn van drie jaar geboden door de fabrikant. Deze garantie blijft alleen van kracht als te allen tijde een filter (meegeleverd) wordt gebruikt op de inlaat of slang om te voorkomen dat deeltjes de compressor kunnen binnendringen. *Als de meegeleverde filter niet wordt gebruikt, komt de garantie op de compressor te vervallen.*

De aansprakelijkheid van INFICON beperkt zich tot het, naar haar keuze, repareren of vervangen van een defecte machine of een defect onderdeel. Als een defect optreedt, moet een geldige claim worden ontvangen door INFICON, met vervoerkosten vooruitbetaald, uiterlijk dertig (30) dagen na het verlopen van de garantieperiode. INFICON stelt dan vast of de storing aan de machine is opgetreden vanwege materiaal- of productiefouten.

Deze garantie komt in de plaats van alle andere garanties, uitdrukkelijk of impliciet, ongeacht of het om een garantie van verhandelbaarheid, geschiktheid voor een specifiek doel of anderszins gaat. Al deze overige garanties worden uitdrukkelijk afgewezen.

De aansprakelijkheid van INFICON zal niet hoger zijn dan de prijs die aan INFICON is betaald voor de Vortex Dual plus vooruitbetaalde kosten voor retourzending. INFICON is niet aansprakelijk voor enige incidentele of gevolgschade. Alle schade van dien aard is uitgesloten.

3.0 Instelling en bediening

3.1 Aan de slag gaan

Neem de hele inhoud van deze handleiding door voordat u de Vortex Dual gaat bedienen.



Als u niet de juiste veiligheidsmaatregelen volgt, kan dit leiden tot persoonlijk letsel of overlijden. Gebruik de Vortex Dual niet, tenzij u goed bent getraind in het terugwinningsproces.

- 1** Installeer de meegeleverde filter op de inlaat. De Vortex Dual heeft een vrouwelijke knelkoppeling voor koelmiddel en kan worden verbonden met mannelijke knelkoppelingen.
- 2** Bevestig de slangen aan de filter.



Gebruik geen adapterkoppeling in plaats van een filter. Het gebruik van een adapterkoppeling kan de kleppen beschadigen en doet de garantie vervallen.

- 3 Bevestig een slang tussen de uitlaatklep en het terugwinningsreservoir. Sluit andere slangen aan tussen systeemcomponenten in overeenstemming met [Afbeelding 1 op pagina 93](#).
- 4 Sluit het stroomsnoer aan op een stroomkring die wordt beschermd door een gepaste aardlekschakelaar. Als een verlengsnoer absoluut noodzakelijk is, moet u ervoor zorgen dat dit aan de volgende voorwaarden voldoet:
 - ♦ niet te lang zijn
 - ♦ moet een aardedraad bevatten
 - ♦ draadgrootte 14 AWG of groter voor 115 V (wisselstroom) of 1,0 mm² of groter voor 230 V (wisselstroom).



Te volle reservoirs kunnen scheuren en exploderen. Bij gebruik in de standaardterugwinnings- of “push-pull”-modus is het mogelijk om het reservoir te vol te maken. Gebruik een koelmiddelweegschaal om te waarborgen dat het reservoir voor niet meer dan 80% (qua gewicht) wordt gevuld. Controleer het gewicht van het reservoir vóór het transport.



Laat de Vortex Dual niet te snel te grote hoeveelheden vloeistof terugwinnen.

OPMERKING: Als een aanzienlijke hoeveelheid vloeistof aanwezig is en te snel de terugwinningsmachine binnengaat tijdens het terugwinningsproces voor koelmiddel, wordt dit in de sector ook wel “vloeistofslug” of “slugging” genoemd.

Een vloeistofslug kan de hogedrukschakelaar activeren en het terugwinningsproces voor koelmiddel verlengen. Als de Vortex Dual te snel grote hoeveelheden vloeistof terugwint (of als er een vloeistofslug optreedt), is er een luid kloppend geluid te horen in de compressor.



Compressorschade die wordt veroorzaakt door het te snel terugwinnen van een grote hoeveelheid vloeistof wordt niet gedekt door de garantie op de compressor.

Houd het terugwinningsproces zorgvuldig in de gaten. Als de compressor begint te kloppen:

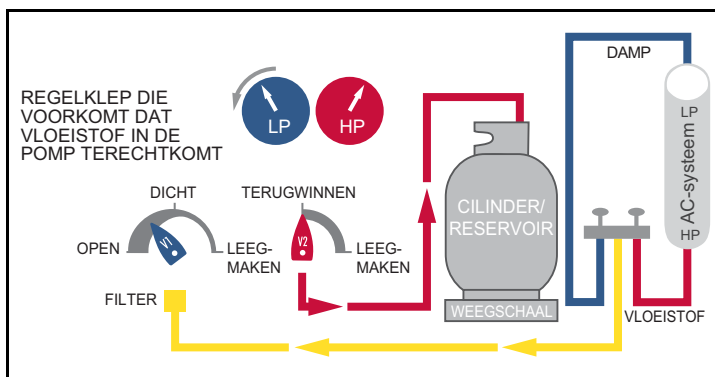
- ♦ drossel de klep **INLET** (INLAAT) rechtsom, of
- ♦ pas de kleppen van de **MANIFOLD**-meter (SPRUITSTUK) aan totdat het kloppen stopt.

3.2 Standaardbediening bij terugwinning

- 1 Sluit alle kabels en slangen aan zoals beschreven in [paragraaf 3.1](#).

OPMERKING: Zorg ervoor dat alle verbindingen goed vastzitten en dat de kabels en slangen het terugwinningsproces niet kunnen verstoren. Zie [Afbeelding 1](#).

Afbeelding 1 Instellingsprocedure voor standaardterugwinning van koelmiddel



- 2 Controleer of de slang waarmee de Vortex Dual is verbonden met het terugwinningsreservoir is aangesloten op de ingang **LIQUID** (VLOEISTOF - LP).
- 3 **OPEN** de LP-klep op het reservoir. Laat de ingang **VAPOR** (DAMP) in de stand **CLOSED** (DICHT) staan.
- 4 Draai de klep INLET (INLAAT) (**V1**) in de stand **CLOSE** (DICHT).
- 5 Stel de klep voor PURGE/RECOVER (LEEGMAKEN/TERUGWINNEN) (**V2**) in de stand **RECOVER** (TERUGWINNEN).
- 6 Draai de klep **VLOEISTOF** op de MANIFOLD-meter langzaam in de stand **OPEN**. Controleer of er geen lekken zijn.
- 7 Schakel de Vortex Dual in.
- 8 Houd de inlaatdruk (**LP**, lagedrukmeter) in de gaten en draai de klep INLET (INLAAT) (**V1**) *langzaam* in de stand **OPEN**.



Mogelijk klinkt er een kloppend geluid uit de compressor als de Vortex Dual probeert een aanzienlijke hoeveelheid vloeistof terug te winnen. Drossel om schade aan de compressor te voorkomen de klep **LIQUID** (VLOEISTOF) op de MANIFOLD-meter (SPRUITSTUK) of de klep INLET (INLAAT) van de Vortex Dual (**V1**).

- 9** Nadat de vloeistof is teruggewonnen, brengt u de resterende damp over; draait u de klep INLET (INLAAT) **V1** in de stand **OPEN**. Zorg ervoor dat de kleppen **LIQUID** (VLOEISTOF) en **VAPOR** (DAMP) op de MANIFOLD-meter (SPRUITSTUK) in de stand **OPEN** staan.
- 10** Blijf doorwerken totdat de **LP**-meter aangeeft dat het vereiste vacuüm is verkregen.
- 11** Schakel de Vortex Dual uit en sluit de klep INLET (INLAAT) (**V1**). Wacht vijf minuten.

Als de MANIFOLD-meter (SPRUITSTUK) aangeeft dat de druk tot boven **0 PSIG** (0 bar) is gestegen, is er nog steeds koelmiddel aanwezig.

- ♦ Open de klep INLET (INLAAT) (**V1**) en schakel de Vortex Dual in.
- ♦ Laat de Vortex Dual draaien totdat het vereiste vacuüm weer is bereikt.
- ♦ Wacht vijf minuten. Herhaal dit proces totdat alle koelmiddel is verwijderd en de druk **0 PSIG** (0 bar) of minder bedraagt.

- 12** Maak onmiddellijk de Vortex Dual leeg. Leegmaken is noodzakelijk om alle resterende koelmiddel uit de interne componenten van de Vortex Dual en uit de slang van de uitlaat naar het terugwinningsreservoir te verwijderen. Zie [paragraaf 3.3](#).

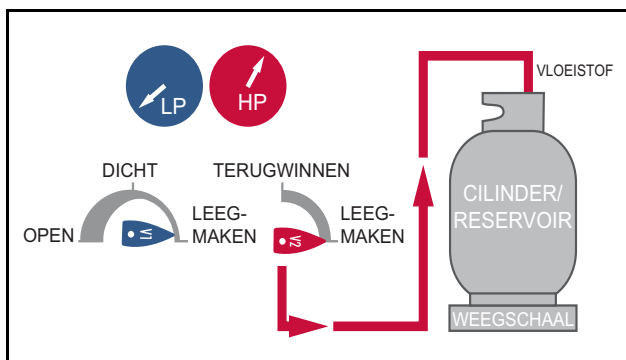
3.3 De Vortex Dual leegmaken

- 1 Draai, terwijl de Vortex Dual is uitgeschakeld, de klep PURGE/RECOVER (LEEGMAKEN/TERUGWINNEN) (V2) in de stand **PURGE** (LEEGMAKEN). Zie Afbeelding 2.
- 2 Schakel de Vortex Dual in en draai de klep INLET (INLAAT) (V1) *langzaam* naar **PURGE** (LEEGMAKEN).
- 3 Laat de Vortex Dual draaien en houd de LP-meter in de gaten totdat een vacuüm van **20 In/Hg** (0.7 bar) of meer is bereikt.
- 4 Schakel de Vortex Dual uit en sluit *onmiddellijk* de kleppen op het terugwinningsreservoir. Draai de inlaatklep (V1) in de stand **CLOSE** (DICHT).



De slang en de uitlaat bevatten een kleine hoeveelheid koelmiddel dat onder druk staat. Wees voorzichtig bij het verwijderen van deze slang.

Afbeelding 2 Instellingsprocedure voor leegmaken



3.4 “Push-Pull”-bediening

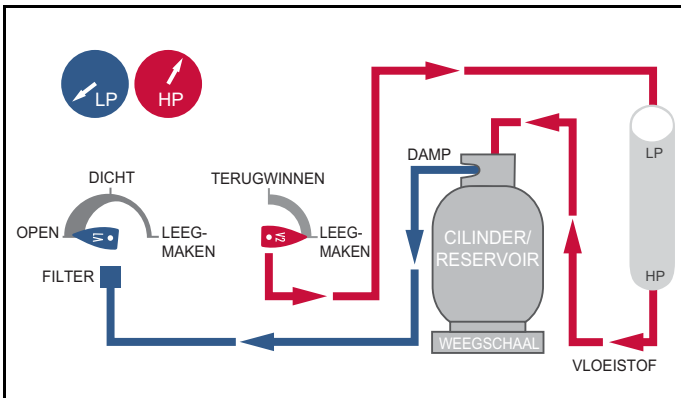
De “push-pull”-terugwinningsmethode wordt gebruikt om grote hoeveelheden vloeibaar koelmiddel te verplaatsen. Tijdens dit proces onttrekt de terugwinningseenheid damp aan de terugwinningscilinder (“pull”) en produceert uitlaatgas onder hoge druk dat vloeistof uit het HVAC-systeem terug in de terugwinningscilinder duwt (“push”). Bij gebruik van deze procedure zijn terugwinningsnelheden van meer dan 7 kg per minuut haalbaar.

OPMERKING: Probeer geen gebruik te maken van het “push-pull”-proces, tenzij het systeem ten minste 7 kg aan vloeistof bevat die gemakkelijk kan worden geïsoleerd.

Maak om overvulling te voorkomen gebruik van de weegschaal, zodat het reservoir voor niet meer dan 80% van zijn capaciteit (gewicht) wordt gevuld. Houd zorgvuldig het gewicht van het reservoir in de gaten aangezien 80% van de capaciteit snel kan worden bereikt tijdens het gebruik van de “push-pull”-modus vanwege snelle overdracht.

Sluit de koelmiddelslangen aan (zie [Afbeelding 3](#)). Een kijkglas (niet meegeleverd) kan helpen bepalen wanneer de vloeistof is overgebracht en er alleen damp overblijft.

Afbeelding 3 Instellingsprocedure voor “push-pull”-methode



3.5 Koelen van het terugwinningsreservoir

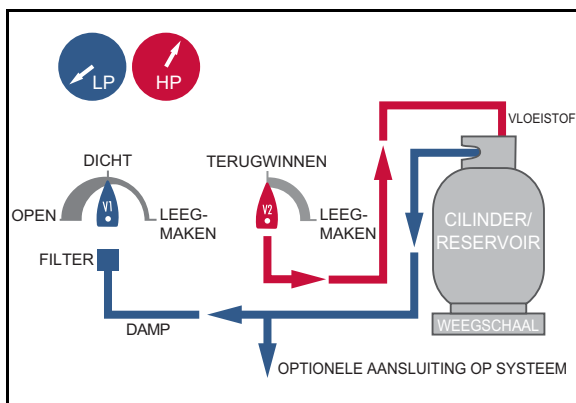
De Vortex Dual kan worden gebruikt voor het vooraf koelen (of subkoelen) van het terugwinningsreservoir als de kopdruk te hoog is om het terugwinningsproces te voltooien. Als de omgevingsdruk te hoog is, kan een hoge kopdruk ontstaan bij het werken met bepaalde koelmiddelen met een hoge dampdruk.

OPMERKING: Het terugwinningsreservoir moet 2,5 kilogram vloeistof of meer bevatten om het drukverschil te laten ontstaan.

Het subkoelen van het reservoir voordat het terugwinningsproces wordt gestart, biedt mogelijk weinig of geen soelaas.

Als het terugwinningsproces stopt vanwege een hoge kopdruk, schakelt u de Vortex Dual uit, sluit u de slangkleppen en configureert u de installatie zoals weergegeven in [Afbeelding 4](#).

Afbeelding 4 Instellingsprocedure voor subkoelingsmethode



- 1 Draai **V2** op de Vortex Dual naar RECOVER (TERUGWINNEN) en open de kleppen **LIQUID** (VLOEISTOF) en **VAPOR** (DAMP) op de cilinder.
- 2 Schakel de Vortex Dual in.
- 3 Draai **V1** op de Vortex Dual in de stand OPEN.
- 4 Drossel op de cilinder de vloeistofstroom door de klep **LIQUID** (VLOEISTOF) langzaam te sluiten om een minimaal drukverschil van **0.7 MPa** (7 bar, 100 PSIG) tussen de LP- en de HP-meter te verkrijgen.

OPMERKING: Voorkom dat de HP-afsluitschakelaar wordt geactiveerd, dat de HP-meter boven de **3.8 MPa** (38 bar, 550 PSIG) komt.

- 5** Wanneer het terugwinningsreservoir eenmaal koud is, schakelt u de Vortex Dual uit en configureert u de instelling opnieuw voor standaardterugwinning. Herhaal dit proces zo nodig.

3.6 Speciale opmerkingen bij de bediening

Tijdens de standaardbediening wordt de hogedrukschakelaar teruggezet als de kopdruk tot onder circa 2.9 MPa (29 bar, 425 PSI) daalt en wordt de Vortex Dual automatisch opnieuw opgestart.

4.0 Onderhoud

Met minimaal maar belangrijk onderhoud kan de Vortex Dual jarenlang op betrouwbare wijze meegaan. Reinig de Vortex Dual na elk gebruik met een vochtige doek om vuil en olie te verwijderen.



Gebruik geen benzine of andere gevaarlijke oplosmiddelen om de Vortex Dual schoon te maken. Hierdoor kan de kunststofbehuizing worden beschadigd. Een standaard huishoudelijk schoonmaakmiddel of isopropylalcohol kan worden gebruikt, maar voorkom dat vloeistof door de buitenste behuizing heen dringt.

Zorg ervoor dat de in- en uitlaat worden beschermd tijdens transport en opslag. Houd de binnendiameter en het buitenschroefdraad open en schoon.

OPMERKING: De beste resultaten krijgt u door de filter verbonden te laten met de inlaat en de filter regelmatig te vervangen.

5.0 Probleemoplossing

PROBLEEM	OORZAAK	ACTIE
De Vortex Dual schakelt niet in; de compressor start niet	<ol style="list-style-type: none"> 1. Netsnoer is niet aangesloten 2. Geen spanning op het stopcontact 3. Circuitonderbreker is ingeschakeld 4. Uitlaatdruk is te hoog; HP-schakelaar is geopend 5. Elektronicastingoring in de motor 	<ol style="list-style-type: none"> 1. Sluit netsnoer aan 2. Controleer spanning op werklocatie 3. Identificeer oorzaak van activering circuitonderbreker, herstel en stel opnieuw in 4. Verlaag druk: draai V2 naar Purge (Leegmaken) en vervolgens terug naar Recovery (Terugwinnen) 5. Fabrieksservice vereist

PROBLEEM	OORZAAK	ACTIE
Compressor start, maar hapert binnen enkele minuten; drukindicatie op HP-meter is hoog	<ol style="list-style-type: none"> 1. Klep terugwinningsreservoir is niet open 2. Uitlaatslang geblokkeerd 3. Lucht in systeem/reservoir 	<ol style="list-style-type: none"> 1. Open klep reservoir 2. Controleer en verwijder blokkade 3. Verwijder lucht uit systeem/reservoir
Compressor stopt met tussenpozen	<ol style="list-style-type: none"> 1. Dampdruk van koelmiddel in reservoir is dicht bij HP-activeringspunt 2. Thermische overbelastingsschakelaar in compressor wordt geactiveerd 	<ol style="list-style-type: none"> 1. Verlaag temperatuur in reservoir 2. Verminder hoeveelheid verpompte vloeistof. Laat machine afkoelen alvorens verder te gaan
Vortex Dual raakt oververhit	<p>Buitensporige kopdruk vanwege:</p> <ol style="list-style-type: none"> 1. Hoge omgevingstemperatuur 2. Uitlaatslang geblokkeerd 3. Lucht in terugwinningsreservoir 	<ol style="list-style-type: none"> 1. Verlaag temperatuur in reservoir 2. Controleer en verwijder blokkade 3. Verwijder lucht uit reservoir
Terugwinningsproces te traag	<ol style="list-style-type: none"> 1. Kopdruk is te hoog 2. Koelmiddel systeem bevroren 3. Compressorafdichtingen zijn versleten 	<ol style="list-style-type: none"> 1. Verlaag temperatuur in reservoir of vervang reservoirs 2. Onderbreek proces om ijs te laten verspreiden 3. Bouw compressor opnieuw op met servicekit — neem contact op met leverancier voor assistentie

6.0 Service

Vortex Dual gebruikt elektrische onderdelen die worden erkend door internationale veiligheidsinstituten of onderdelen die specifiek voor deze toepassing zijn ontworpen.



Verander geen van deze onderdelen aangezien dit de veiligheid in het gedrang zou kunnen brengen. Alle servicewerk moet worden uitgevoerd op een door INFICON goedgekeurde locatie om de veiligheidsclassificatie en garantie te behouden.

Stuur bij een defect de Vortex Dual niet rechtstreeks terug naar de fabriek. Neem voor technische assistentie of service-informatie contact op met INFICON of uw leverancier.

7.0 Vervangingsonderdelen en accessoires

De volgende onderdelen en accessoires zijn verkrijgbaar via verschillende distributeurs. Neem contact op met INFICON of uw plaatselijke distributeur voor beschikbaarheid.

Stroomsnoer (115 V)	068-0684
Stroomsnoer (230 V)	068-0685
Manometer voor lage druk	722-406-P1
Manometer voor hoge druk	722-407-P1
Draagriem	722-408-P1
Filterdroger (1/4 inch mannelijk naar mannelijk)	722-409-P1

8.0 EPA-vereisten (alleen PN 714-202-G1)

Volgens Sectie 608 van de Clean Air Act (40 CFR Deel 82) heeft de EPA (Environmental Protection Agency) voorschriften opgesteld die alle aspecten van het terugwinningsproces voor koelmiddel omvatten.

Deze voorschriften bevatten vastgestelde serviceactiviteiten, waarbij de recycling van verbindingen die de ozonlaag aantasten, wordt gemaximaliseerd tijdens het onderhoud en het wegdoen van airconditioning- en koelapparatuur.

Tevens zijn er certificeringsvereisten opgesteld voor terugwinningsapparatuur en technici. De INFICON Vortex Dual is door EPA gecertificeerd voor gebruik door een onafhankelijk laboratorium.

De EPA heeft tevens leegpompvereisten opgesteld voor HVAC/R-apparatuur die wordt gebruikt voor service om te waarborgen dat de afgifte van CFK's of HCFC's aan de atmosfeer tot een minimum wordt beperkt.

- ♦ Technici die kleine huishoudelijke apparaten repareren, zoals huishoudelijke koelkasten, raamairconditioners en waterkoelers moeten 80% van het koelmiddel terugwinnen als de compressor in het apparaat niet werkt.
- ♦ Technici die kleine huishoudelijke apparaten repareren moeten 90% van het koelmiddel terugwinnen als de compressor in het apparaat wel werkt.

OPMERKING: Aan deze vereisten kan tevens worden voldaan door het kleine huishoudelijke apparaat leeg te pompen met de terugwinningsmachine tot 10 cm kwikvacuüm.

Andere vereisten komen aan bod in [Tabel 7-1 op pagina 102](#).

Tabel 7-1 EPA-vereisten

TYPE HUISHOUELIJK APPARAAT	VEREIST AANTAL CM HG-VACUÛM
HCFK-22 apparaat dat gewoonlijk minder dan 90 kilogram koelmiddel bevat	0
HCFK-22 apparaat dat gewoonlijk 90 kilogram koelmiddel of meer bevat	10
Ander hogedrukapparaat dat gewoonlijk minder dan 90 kilogram koelmiddel bevat	10
Ander hogedrukapparaat dat gewoonlijk 90 kilogram koelmiddel of meer bevat	15
Apparaat met zeer hoge druk (CFK-13, -503)	0
Apparaat met lage druk (CFK-11, HCFK-123)	25*

*mm Hg absoluut

De EPA vereist dat servicetechnici de verkregen terugwinningapparatuur certificeren bij de van toepassing zijnde regionale vestiging van de EPA en dat deze in overeenstemming is met de geldende wetten die zijn vastgesteld in de Clean Air Act. Formulieren zijn verkrijgbaar in de regionale vestiging van de EPA.

Vragen over de EPA-vereisten kunnen worden beantwoord door contact op te nemen met de gratis Ozone Protection Hotline op 1.800.296.1996.

Innehållsförteckning

Säkerhet först!	104
Produktsäkerhet	104
Ansvar	104
Varumärken	104
EPA-certifiering	105
Försäkrans Om Överensstämmelse	105
1.0 Säkerhetsföreskrifter	106
2.0 Specifikationer, funktioner och garanti	107
2.1 Vortex Dual-specifikationer	107
2.2 Garanti	108
3.0 Inställning och drift.	109
3.1 Komma igång	109
3.2 Standard återvinning.	110
3.3 Tömma Vortex Dual	112
3.4 Sug-tryck.	113
3.5 Kyla återvinningstanken	114
3.6 Speciella driftsanmärkingar.	115
4.0 Underhåll	115
5.0 Felsökning.	115
6.0 Service	116
7.0 EPA-krav (endast art. nr 714-202-G1)	117

Tack för att du köpt INFICON® Vortex® maskin för återvinning av köldmedel! För optimal Vortex Dual-prestanda ska du läsa den här handboken noggrant innan du använder maskinen.

För ytterligare frågor eller hjälp ska du kontakta INFICON.

USA: +1.800.344.3304 eller service.tools@inficon.com

Europa: +49 221 56788-660 eller servicetools.europe@inficon.com

Säkerhet först!



Denna symbols syfte är att göra dig uppmärksam på viktiga anvisningar om drift, säkerhet och underhåll (service) i den här handboken.

Produktsäkerhet

Vortex Dual är en maskin för återvinning av ett brett spektrum köldmedel. Återvinning av köldmedel i separata lagringstankar kräver en gaskompressionsprocess som resulterar i att maskinen, slangarna och lagringstanken trycksätts.



Högtryckssystem kan orsaka olyckor eller personskador om de inte hanteras på rätt sätt och med omsorg.

Köldmedelsslangar måste ha avstängningsanordningar inom 30,5 cm (12 tum) från ändarna för att minska risken för köldmedelsläckage till atmosfären när tankarna eller inställningarna ändras.

Ansvar



Använd inte Vortex Dual om du inte är utbildad i återvinningsprocessen. Användning av denna maskin av utbildad personal utgör en potentiell fara.

Varumärken

Produktvarumärkena som nämns i denna handbok tillhör de företag som tillverkar dem.

INFICON®, Vortex®, Compass®, D-TEK® Select, TEK-Mate® och Wey-TEK™ är varumärken som tillhör INFICON.

Alla andra märken och produktnamn är varumärken eller registrerade varumärken som tillhör sina respektive företag.

Informationen i denna handbok anses vara tillförlitlig och noggrann. INFICON åtar sig emellertid inget ansvar för dess användning och är inte skyldig för eventuella specialsador, tillfälliga skador eller följdskador som kan uppstå i samband med denna produkts användning.

© 2016 Med ensamrätt.

Reproduktion eller anpassning av någon del av denna handbok utan tillstånd är olaglig.

EPA-certifiering

INFICON Vortex Dual (endast art. nr 714-202-G1) är en EPA-certifierad maskin i enlighet med Section 608 i lagen Clean Air Act. Intertek, ett fristående organ, har testat den och certifierat att den uppfyller kraven i ARI-standard 740-1998.



EU-försäkran om överensstämmelse

Endast tillverkaren INFICON är ansvarig att fylla i denna försäkran. Denna försäkrans syfte är att certifiera att denna utrustning, konstruerad och tillverkad av INFICON uppfyller kraven i den relevanta harmoniseringslagstiftning inom EU. Anordningen har konstruerats i enlighet med god ingenjörssed avseende säkerhetsregler som gäller inom gemenskapen och utgör inte säkerhetsfara för personer, husdjur eller egendom, när den installeras och underhålls på avsett sätt och används för de tillämpningar för vilka den konstruerats.

Beskrivning av utrustningen	Vortex maskin för återvinning av köldmedel
Modellnummer	714-202-Gxx (gäller alla gruppnummer)
Tillämpliga direktiv	2014/35/EU (LVD) 2014/30/EU (EMC) 2011/65/EU (RoHS)
Tillämpliga standarder	EN 60335-1:2012/A11:2014 EN 55014-1:2006/A2:2011 / CISPR14-1:2005/A2:2011 EN 50581:2013
CE, genomförandedatum	2016-4-20



Tillverkarens representant
 Brian King
 INFICON
 Business Line Manager – Service Tools
 Two Technology Place
 East Syracuse, NY USA 13057

Auktoriserad EU representant
 INFICON GmbH
 50968 Köln, Bonner Str. 498

Eventuella frågor med anknytning till denna försäkran eller säkerheten hos INFICONS produkter ska ställas, skriftligen, till Quality Assurance Department på ovanstående adress.

Svenska

1.0 Säkerhetsföreskrifter

Läs den här handboken innan du använder Vortex Dual för att bekanta dig med dess specifikationer och drift. Läs säkerhetsdatabladet (SDB) och informationen om temperatur - ångtryck angående säkerhets- och hanteringskraven gällande köldmedlen som återvinns.



Använd handskar, ögonskydd och fotskydd när du arbetar på kylsystem.



Köldmedelånga kan vara farlig och dess biprodukter livsfarliga.



Motorer och brytare kan generera gnistor och kan vara speciellt farliga i brandfarliga miljöer. Arbeta endast i välventilerade områden med mekanisk ventilation som ger minst fyra luftutbyten per timme. Arbeta inte i ett inneslutet område utan lämplig skyddsutrustning. Det kan vara nödvändigt att installera en separat cirkulationsfläkt.



Använd aldrig syre för läcksökning. Syrgas kan bli en explosiv blandning som bildas i samband med olja och tryck. Utför läckagedetektion endast på vedertaget sätt. För bästa resultat ska du använda en köldmedelsdetektor, exempelvis INFICON D-TEK Select, Compass eller TEK-Mate.



Blanda aldrig köldmedel. Använd separata förvaringscylindrar, slangar och filter för varje typ återvunnet köldmedel. Förvara köldmedel på en torr plats.



Överfyll aldrig en lagringsbehållare. Överfyllda tankar kan spricka eller explodera. Använd en köldmedelsväg, som exempelvis INFICON Wey-TEK, för att undvika överfyllning.



När du öppnar service- eller cylinderventiler ska du göra det långsamt för att säkerställa att anslutningar är säkra och fria från fara.



Koppla loss nätsladden innan du flyttar eller utför service på Vortex Dual.



Om Vortex Duals höljen avlägsnas föreligger risk för elektrisk stöt och exponering för heta kompressordelar. Vortex Dual bör endast öppnas av en tekniskt kvalificerad person med utbildning i grundläggande elektronik och kylteknik.



Använd endast nätsladden från INFICON. Om nätsladden förloras eller skadas, ska du kontakta INFICON för information om hur du får en ny sladd.



När en förlängningssladd ansluts till Vortex Dual kan trådarna i den överhettas under förhållanden med hög strömförbrukning. Om en förlängningssladd behövs ska du använda kortast möjliga och endast storleken 14 AWG eller större för 115 V (växelström) eller 1,00 mm² eller större för 230 V (växelström).



Använd inte Vortex Dual nära öppna behållare av bensen eller andra brandfarliga vätskor.



Denna produkt är endast avsedd för användning med köldmedel och inte avsedd för användning med antändbara köldmedel. All annan användning av denna produkt rekommenderas inte av INFICON och kan resultera i personskada. Användning av denna produkt på annat än avsett sätt görs på användarens egen risk.

2.0 Specifikationer, funktioner och garanti

2.1 Vortex Dual-specifikationer

Köldmedel	R-12, R-1234yf, R-134a, R-22, R-401A, R-401B, R-401C, R-402A, R-402B, R-404A, R-407A, R-407B, R-407C, R-408A, R-409A, R-410A, R-500, R-502, R-507
Effekt	115 V (växelström), 60 Hz, 12 A, eller 230 V (växelström), 50/60 Hz, 10 A (beroende på version)
Skydd	Högtrycksströmbrytare vid 3.8 MPa (38 bar, 550 PSI) Kompressorns motor termiskt skyddad
Tryck	Dimensionerat tryck på låg sida 2.4 MPa, (24 bar, 350 PSI); Dimensionerat tryck på hög sida 3.8 MPa (38 bar, 550 PSI)
Temperatur	Driftsområde 10 till 40 °C (50 till 104 °F)
Föroreningsgrad	2
Inträngningsskydd	IP20
EPA-certifiering (endast art. nr 714-202-G1)	Certifierad för alla köldmedel listade under kategori III, IV, och V i ARI-standard 740-1998

Svenska

2.2 Garanti

INFICON garanterar att Vortex Dual-maskinen för återvinning av köldmedel är fri från defekter i material och utförande under en 3-årsperiod från inköpsdatum. Dessutom garanterar INFICON inte någon maskin som har utsatts för missbruk, vanvård eller olycka, eller som har reparerats eller ändrats av någon annan part än INFICON.

Tillverkaren garanterar kompressorn under en 3-årsperiod. För att garantin ska förbli giltig måste ett filter (medföljer) alltid användas på ingångsporten eller -slangen för att förhindra att partiklar tränger in i kompressorn.

Kompressorns garanti ogiltiggörs om det medföljande filtret inte används.

INFICON:s ansvar begränsas till reparation eller utbyte, enligt eget gottfinnande, av en defekt maskin eller del. Om en defekt uppstår, måste en giltig reklamation ha mottagits av INFICON med fraktagifterna förbetalda, senast trettio (30) dagar efter garantiperiodens utgång. INFICON kommer att avgöra om maskinfelet har uppstått på grund av defekt material eller tillverkningsfel.

Denna garanti utfärdas i stället för alla andra garantier, uttryckliga eller underförstådda, vare sig den gäller säljbarhet eller lämplighet för ett visst syfte eller något annat. INFICON fransäger sig uttryckligen alla sådana övriga garantier.

INFICON åtar sig inget ansvar utöver den summa som INFICON erhållit för Vortex Dual plus förbetalda returfraktkostnader. INFICON skall inte åläggas något ansvar för tillfälliga eller följdskadorna. Allt dylikt ansvar exkluderas.

3.0 Inställning och drift

3.1 Komma igång

Läs allt innehåll i denna handbok innan du börjar använda Vortex Dual.



Underlåtelse att följa säkerhetsföreskrifter kan resultera i personskada eller död. Använd inte Vortex Dual om du inte är utbildad i återvinningsprocessen.

- 1 Installera det medföljande filtret på intaget. Vortex Dual har en flänsad honköldmedelsanslutning som ansluts till flänsade hananslutningar.
- 2 Anslut slangarna till filtret.



Använd inte en anslutningsadapter i stället för ett filter. Om du använder en anslutningsadapter kan detta skada ventilerna och ogiltigförklara garantin.

- 3 Koppla en slang från utsläppsventilen till återvinningstanken. Anslut andra slangar mellan systemkomponenterna i enlighet med [Figur 1 på sidan 110](#).
- 4 Anslut nätsladden till ett uttag skyddat med en lämplig huvudsäkring. Om en förlängningsladd är absolut nödvändig ska du se till att den uppfyller följande krav:
 - ♦ den är inte för lång
 - ♦ den har en skyddsjordtråd
 - ♦ elektrisk trådstorlek 14 AWG eller större för 115 V (växelström) eller 1,0 mm² eller större för 230 V (växelström).



Överfyllda tankar kan spricka eller explodera. När apparaten används i läge normal återvinning eller sug-tryck är det lätt att överfylla tanken. Du måste använda en köldmedelsvåg för att säkerställa att tanken inte är mer än 80 % full enligt viktkapacitet. Kontrollera tankens vikt före transport.



Låt inte Vortex Dual återvinna stora mängder vätska för snabbt.

- OBS!** När en stor vätskevolym hanteras och tränger för snabbt in i återvinningsmaskinen under köldmedelsåtervinningsprocessen kallas detta ibland ute på fältet en "vätskepropp" eller "proppbildning".

En vätskepropp kan aktivera högttrycksfrånslagningen vilket leder till förlängning av processen av köldmedelsåtervinning. Om Vortex Dual återvinner en stor vätskevolym alltför snabbt (eller en vätskepropp bildats), hör du ett knackande ljud från kompressorn.



Kompressorskada orsakad av återvinna en stor mängd vätska för snabbt omfattas inte av kompressorns garanti.

Övervaka återvinningsprocessen noggrant. Om kompressorn börjar knacka:

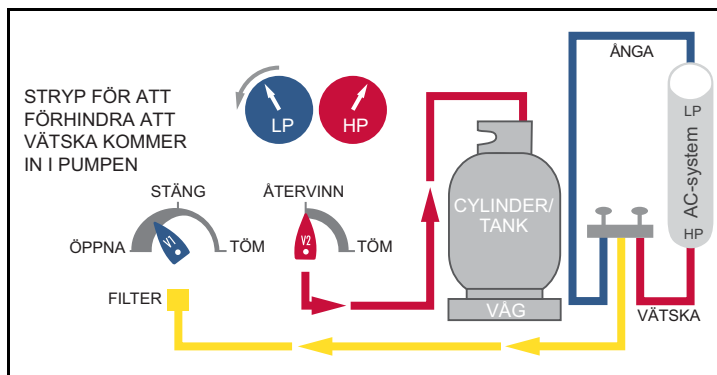
- ♦ stryp **INLET**-ventilen (ingångsventilen) medurs eller
- ♦ justera **GRENRÖRS**-mätventilerna tills knackningen upphör.

3.2 Standard återvinning

1 Anslut alla kablar och slangar enligt beskrivningen i [avsnitt 3.1](#).

OBS! Säkerställ att alla anslutningar är åtdragna och att kablar och slangar inte stör återställningsprocessen. Se [Figur 1](#).

Figur 1 Inställning för standard återvinning av köldmedel



2 Kontrollera att slangen från Vortex Dual till återvinningstanken är ansluten till **VÄTSKE**-porten (**LP**).


3 **ÖPPNA LP**-ventilen på tanken. Håll **ÅNG**-porten **STÄNGD**.

4 Vrid **INGÅNGSVENTILEN (V1)** till **CLOSE** (stäng).

5 Ställ in ventilen **TÖM/ÅTERVINNING (V2)** i läge **RECOVER** (återvinn).

6 Vrid långsamt ventilen **LIQUID** (vätska) på grenrörmätaren till inställningen **OPEN** (öppna). Se till att enheten inte läcker.

- 7** Slå på Vortex Dual.
- 8** Övervaka ingångstrycket (**LP**, lågtrycksmätare) och vrid *långsamt* INGÅNGSVENTILEN (**V1**) till **OPEN** (öppen).

 Kompressorn kan avge ett knackande ljud om Vortex Dual försöker återvinna en större mängd vätska. För att förhindra kompressorskada ska du strypa ventilen **LIQUID** (vätska) på grenrörmätsetet på Vortex Duals INGÅNGSVENTIL (**V1**).
- 9** När vätskan har återvunnits ska du överföra resten av ångan; vrid INGÅNGSVENTILEN (**V1**) till **OPEN** (öppna). Säkerställ att ventilerna **LIQUID** (vätska) och **VAPOR** (ånga) på grenrörmätaren är öppna (**OPEN**).
- 10** Fortsätt att köra maskinen tills **LP**-mätaren anger att erforderat undertryck har uppnåtts.
- 11** Slå av Vortex Dual och stäng INGÅNGSVENTILEN (**V1**). Vänta fem minuter.

Om GRENRÖRSMÄTAREN anger att trycket stigit över **0 PSIG** (0 bar), finns det ännu köldmedel kvar.

 - ♦ Öppna INGÅNGSVENTILEN (**V1**) och slå på Vortex Dual.
 - ♦ Kör Vortex Dual tills nödvändigt undertryck har genererats igen.
 - ♦ Vänta fem minuter. Upprepa processen tills allt köldmedel har återvunnits och trycket är **0 PSIG** (0 bar), eller lägre.
- 12** Töm Vortex Dual omedelbart. Tömning är nödvändig för att ta bort eventuellt restköldmedel från insidan av Vortex Duals interna komponenter samt från slangutgången på återvinningstanken. Se [avsnitt 3.3](#).

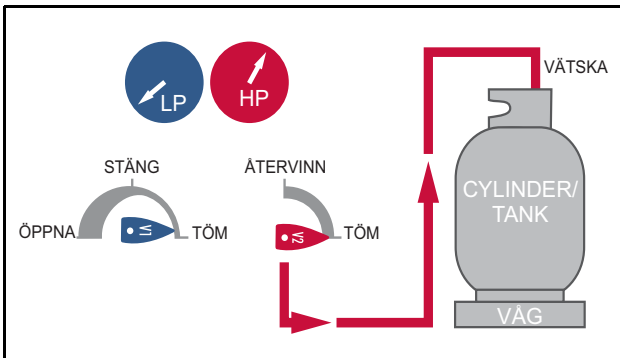
3.3 Tömma Vortex Dual

- 1 Medan Vortex Dual är avstängd ska du vrida ventilen TÖM/ÅTERVINN (V2) till **PURGE** (töm). Se [Figur 2](#).
- 2 Slå långsamt på Vortex Dual och vrid *långsamt* INGÅNGSVENTILEN (V1) till **PURGE** (töm).
- 3 Kör Vortex Dual och övervaka LP-mätaren tills ett undertryck på **20 In/Hg** (0.7 bar) eller mer har uppnåtts.
- 4 Slå av Vortex Dual och stäng *omedelbart* ventilerna på återvinningstanken. Vrid ingångsventilen (V1) till **CLOSE** (stäng).



Slangen och utgångsporten innehåller en liten mängd trycksatt köldmedel. Var försiktig när du tar bort slangen.

Figur 2 Inställningsrutin för tömning



3.4 Sug-tryck

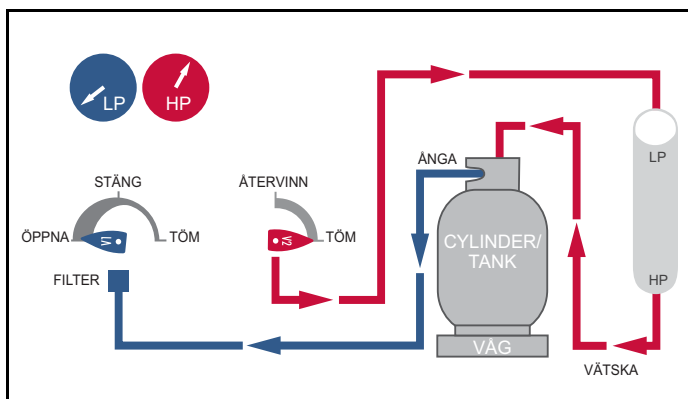
Återvinningsmetoden sug-tryck används för att överföra stora volymer köldmedel i vätskeform. Under denna process suger återvinningsenheten ut ånga från återvinningscylindern och producerar högtrycksutloppsgas som pressar ut vätskan från HVAC-systemet (värme, ventilation och luftkonditionering) och tillbaka in i återvinningscylindern. Återvinningshastigheter över 7 kg per minut kan uppnås vid användning av detta förfarande.

OBS! Försök inte använda sug-tryck-metoden förutom när systemet innehåller minst 7 kg av vätska som lätt kan isoleras.

För att förhindra överfyllning ska du använda skalan för att säkerställa att tanken inte överstiger 80 % kapacitet enligt vikt. Övervaka tankens vikt noggrant eftersom 80 % kapacitet kan uppnås snabbt under sug-tryck på grund av den snabba överföringshastigheten.

Anslut köldmedelsslangarna (se [Figur 3](#)). Ett synglas (medföljer inte) kan hjälpa dig att avgöra om vätskan har överförts och om det finns ånga kvar.

Figur 3 Förberedelser för sug-tryck-metoden



Svenska

3.5 Kyla återvinningstanken

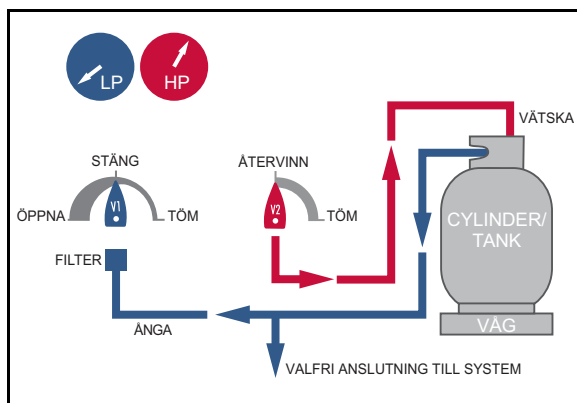
Vortex Dual kan användas för att för-kyla (eller underkyla) återvinningstanken om toptrycket är för högt för att fullgöra återvinningsprocessen. Om det omgivande trycket är för högt, kan högt toptryck genereras när man arbetar med vissa köldmedier som har ett högt ångtryck.

OBS! Återvinningstanken måste ha ett tryck på minst fem pund, för att låta en tryckskillnad skapas.

Under kylning av tanken innan du startar återvinningsprocessen kan ge lite eller ingen nytta.

Om återvinningsprocessen stannar på grund av högt toptryck, ska du slå av Vortex Dual, stänga slangventilerna och omkonfigurera inställningarna enligt vad som visas i [Figur 4](#).

Figur 4 Förberedelser för underkylningsmetoden



- 1 Vrid **V2** på Vortex Dual för att ÅTERVINNA och öppna **VÄTSKE-** och **ÅNG-**ventilerna på cylindern.
- 2 Slå på Vortex Dual.
- 3 Vrid **V1** på Vortex Dual till OPEN (öppen).
- 4 På cylindern ska du strypa vätskeflödet genom att långsamt stänga ventilen **LIQUID** (vätska) för att uppnå en minimal tryckskillnad på **0.7 MPa** (7 bar, 100 PSIG) mellan LP- och HP-mätaren.

OBS! För att förhindra aktivering av HP-mätaren ska du inte låta HP-mätaren överstiga **3.8 MPa** (38 bar, 550 PSIG).

- 5 När återvinningstanken är kall, ska du slå av Vortex Dual och omkonfigurera inställningen för standard återvinning. Upprepa vid behov.

3.6 Speciella driftsanmärkningar

Under standard drift återställs högtrycksomkopplaren när topptrycket faller under ca 2.9 MPa (29 bar, 425 PSI) och Vortex Dual startas om automatiskt.

4.0 Underhåll

Med minimalt men viktigt underhåll kan Vortex Dual ge dig tillförlitlig drift under många säsonger. Efter varje användning ska du rengöra Vortex Dual med en fuktig trasa för att få bort smuts och olja.



Använd inte bensin och andra farliga lösningsmedel för att rengöra Vortex Dual, eftersom detta kan skada plasthöljet. Hushållstvättmedel av standardtyp eller isopropylalkohol kan användas, men du ska se till att vätska inte tränger in i ytterhöljet.

Se till att ingångs- och utgångsportarna är skyddade under transport och förvaring – håll innerdiametern och yttergångarna rena.

OBS! För bästa resultat ska du hålla filtret anslutet till ingångsporten och byta ut det regelbundet.

5.0 Felsökning

PROBLEM	ORSAK	ÅTGÄRD
Vortex Dual slås inte på; kompressorn startar inte	<ol style="list-style-type: none"> Nätsladden är inte ansluten Ingen spänning i uttaget Överspänningsskydd har utlösts Utgångstrycket är för högt; högtrycksbrytaren har öppnats Elektronikfel i motorn 	<ol style="list-style-type: none"> Anslut nätsladden Verifiera spänningen på arbetsstället Identifiera orsaken till varför överspänningsskyddet utlöstes, åtgärda och återställ Minska trycket; vrid V2 för att Tömma, sedan tillbaka till Återvinning Fabriksservice krävs
Kompressorn slås på men slås av inom några minuter; trycket på högtrycksmätaren (HP) är högt	<ol style="list-style-type: none"> Återvinningstankventilen är inte öppen Utgångsslangen tilltäppt Luft i systemet/tanken 	<ol style="list-style-type: none"> Öppna tankventilen Inspektera och åtgärda blockaget Lufta systemet/tanken

PROBLEM	ORSAK	ÅTGÄRD
Kompressorn slås av intermittent	<ol style="list-style-type: none"> 1. Ångtrycket från köldmedlet i tanken är nära högtrycksbrytarens utlösningsspunkt 2. Värmeöverbelastningskyddet i kompressorn utlöses 	<ol style="list-style-type: none"> 1. Reducera tanktemperaturen 2. Minska mängden vätska som pumpas och låt maskinen svalna innan du fortsätter
Vortex Dual överhettas	För högt toptryck på grund av: <ol style="list-style-type: none"> 1. Hög omgivningstemperatur 2. Tilltäppt utgångsslang 3. Luft i återvinningsstanken 	<ol style="list-style-type: none"> 1. Reducera tanktemperaturen 2. Inspektera och åtgärda blockaget 3. Lufta tanken
Återvinningsprocessen för långsam	<ol style="list-style-type: none"> 1. Toptrycket är för högt 2. Köldmedlet i systemet är fryst 3. Kompressorpackningarna är slitna 	<ol style="list-style-type: none"> 1. Reducera tanktemperaturen eller byt tankar 2. Avbryt processen för avisning 3. Renovera kompressorn med servicesatsen – kontakta distributören för hjälp

6.0 Service

Vortex Dual använder elkomponenter godkända av internationella säkerhetsorganisationer eller komponenter som är specialkonstruerade för denna tillämpning.



Byt inte ut någon av dessa komponenter eftersom detta kan påverka säkerheten. Allt underhåll måste utföras på en anläggning godkänd av INFICON för att bibehålla enhetens säkerhetsklassificering och garantin.

Returnera inte en defekt Vortex Dual direkt till fabriken. För teknisk support eller serviceinformation ska du kontakta INFICON eller distributören.

7.0 Reservdelar och tillbehör

Följande reservdelar och tillbehör är tillgängliga från många distributörer. Kontakta INFICON eller en lokal distributör angående tillgänglighet.

Nätsladd (115 V)	068-0684
Nätsladd (230 V)	068-0685
Lågtrycksmätare	722-406-P1
Högtrycksmätare	722-407-P1
Bärrem	722-408-P1
Filtertorkare (1/4 tum - hane till hane)	722-409-P1

8.0 EPA-krav (endast art. nr 714-202-G1)

Enligt Section 608 av den amerikanska miljöskyddslagen Clean Air Act (40 CFR Del 82), har miljöförvaltningsmyndigheten Environmental Protection Agency (EPA) utfärdat föreskrifter som omfattar alla aspekter av återvinningsprocessen av köldmedel.

Dessa föreskrifter innehåller anvisningar om servicemetoder som maximerar återvinningen av ozonnedbrytande föreningar vid service och avyttring av luftkonditionerings- och kylanläggningar.

Certifieringskrav för återvinningsutrustning och teknisk personal har också utfärdats. Ett fristående laboratorium har EPA-certifierat INFICON Vortex Dual.

EPA har även utfärdat evakueringskrav för HVAC/R-utrustning som används för service, för att säkerställa att eventuellt utsläpp av klorfluorkarboner (CFC) och klorfluorkolväten (HCFC) i atmosfären minimeras.

- ♦ Tekniker som reparerar små hushållsapparater som exempelvis kylskåp, luftkonditioneringsapparater och vattenkylare måste återvinna 80 % av köldmedlet när kompressorn i apparaten inte körs.
- ♦ Tekniker som reparerar små hushållsapparater måste återvinna 90 % av köldmedlet när kompressorn i apparaten körs.

OBS! Dessa krav kan även uppfyllas genom att man evakuerar hushållsapparaten återvinningsmaskinen till fyra tum kvicksilvrevakuum.

Andra krav behandlas i [Tabell 7-1 på sidan 118](#).

Tabell 7-1 EPA-krav

TYP AV UTRUSTNING	TUM HG-VAKUUM SOM KRÄVS
HCFC-22-apparat som i allmänhet innehåller under 90 kg köldmedel	0
HCFC-22-apparat som i allmänhet innehåller 90 kg eller mer köldmedel	10
Annan högtrycksapparat som i allmänhet innehåller under 90 kg köldmedel	10
Annan högtrycksapparat som i allmänhet innehåller 90 kg eller mer köldmedel	15
Apparat med mycket högt tryck (CFC-13, -503)	0
Lågtrycksapparat (CFC-11, HCFC-123)	25*

*mm Hg absolut

EPA kräver att servicetekniker inlämnar certifieringen av den införskaffade återvinningsutrustningen till ett regionalt EPA-kontor och att den uppfyller kraven i tillämpliga lagar enligt vad som stipuleras i lagen Clean Air Act. Formulär kan beställas från regionala EPA-kontor.

Du kan få svar på frågor om EPA-krav genom att kontakta Ozone Protection Hotlines avgiftsfria telefonnummer på 1.800.296.1996.

安全第一!	120
产品安全	120
责任	120
商标	120
EPA 认证	121
符合性声明	121
1.0 安全注意事项	122
2.0 规格、特性和保修	123
2.1 Vortex Dual 规格	123
2.2 保修服务	124
3.0 设置与操作	124
3.1 准备	124
3.2 标准回收操作	126
3.3 清洗 Vortex Dual	127
3.4 推拉操作	128
3.5 冷却回收罐	129
3.6 特殊操作注意事项	130
4.0 维护	130
5.0 故障排除	130
6.0 维修	131
7.0 EPA 要求 (仅 PN 714-202-G1)	132

感谢您购买 INFICON Vortex® Dual 冷媒回收机！为了获得 Vortex Dual 的最佳性能，请在使用前仔细阅读本手册。

关于其它问题或协助，请联系 INFICON。

美国：+1.800.344.3304 或 service.tools@inficon.com

欧洲：+49 221 56788-660 或 servicetools.europe@inficon.com

安全第一！



此标识用于提示本手册中出现的关于操作、安全和维护（维修）说明的关键事项。

产品安全

Vortex Dual 回收机适用于各种冷媒。将冷媒回收到单独的储罐中涉及到气体压缩的过程，使得机器、连接软管和储罐中形成高压。



若未恰当或小心处理高压系统，会造成事故或伤害。

冷媒软管距末端 30.5 cm (12 in.) 以内的位置必须配备切断设备，以降低更换储罐或变更设置时冷媒泄漏到大气中的概率。

责任



除非经过恰当的回收过程培训，否则切勿使用 Vortex Dual。无相关资质的人员操作此机器可能有危险。

商标

本手册中提及产品的商标由生产这些产品的公司持有。

Vortex®、Compass®、D-TEK® Select、TEK-Mate® 和 Wey-TEK™ 是 INFICON 的商标。

所有其它品牌和产品名是其各自公司的商标和注册商标。

本手册所含信息被认为是准确可靠的。但 INFICON 不对其用途承担责任，也不对与本产品用途相关的任何特别、偶然或后续损害负责。

© 2016 保留所有权利。

未经许可，复制或改编本手册的任何部分均属于违法行为。

EPA 认证

INFICON Vortex Dual (仅限 PN 714-202-G1) 是符合《清洁空气法案》第 608 条要求并获得 EPA 认证的机器。机器已经过独立测试和认证, 符合 AHRI 标准 740。



EU 欧盟符合性声明

此声明是以制造商 INFICON 为唯一责任人发布的。本声明之目的是为证明由 INFICON 设计和制造的本设备符合相关共同体协调立法。设备结构符合共同体范围内现行安全方面的良好工程设计实践, 在其预定应用范围内正确安装、维护、使用的情况下, 不会危及人员、家畜或财产安全。

设备描述 Vortex Dual 冷媒回收机

型号 714-202-Gxx
(适用于所有组编号)

适用指令 2014/35/EU (LVD)
2014/30/EU (EMC)
2011/65/EU (RoHS)

适用标准 EN 60335-1:2012/A11:2014
EN 55014-1:2006/A2:2011 /
CISPR14-1:2005/A2:2011
EN 50581:2013

CE 执行日期 2016 年 4 月 20 日



产品线经理 - 维修工具

Brian King

INFICON

Business Line Manager – Service Tools

Two Technology Place

East Syracuse, NY USA 13057

EU 授权代表

INFICON GmbH

50968 Köln, Bonner Str. 498

若对此声明或 INFICON 产品安全性有任何相关问题, 请书面咨询上述地址的质保部。

1.0 安全注意事项

使用 Vortex Dual 之前，请仔细阅读本手册，熟悉其规格和操作。请查阅所含材料安全数据表 (MSDS) 和温度 - 蒸汽压力信息，了解回收冷媒的安全性和处理相关要求。



使用冷媒系统时佩戴手套、护目装置和护脚装置。



冷媒蒸汽具有危害性，其副产品会致命。



电机和开关会产生火花，在易燃环境中极具危险性。仅在通风良好的区域使用，采用机械通风，换气率至少达到每小时四次。切勿在未配备恰当安全设备的封闭区域内使用。可能有必要安装单独的循环风机。



绝不可使用氧气检漏。氧气在含油、带有压力时会形成爆炸性混合物。仅可根据建议做法检漏。为了达到最佳效果，使用冷媒检测器，如 INFICON D-TEK Select、Compass 或 TEK-Mate。



绝不可将冷媒混合。为每种回收的冷媒使用单独的储缸、软管和过滤器。将冷媒存储在荫凉、干燥处。



绝不可让存储容器溢出。溢出的储罐会破裂，爆炸。使用冷媒称防止溢出，如 INFICON Wey-TEK。



打开工作或储缸阀门时，务必缓慢操作，以确保所有连接牢固，没有危险。



在移动和使用 Vortex Dual 之前，断开电源。



取下 Vortex Dual 盖子时，可能有触电和接触高温压缩机部件的风险。只能由接受过基本电子和制冷培训的有资质的技术员打开 Vortex Dual。



仅可使用 INFICON 提供的电源线。若电源线遗失或损坏，请联系 INFICON 了解获得更换件的信息。



连接到 Vortex Dual 时，延长线接线在大量耗电时会过热。若有必要使用延长线，应尽可能短，115 V (ac) 或 1.00 mm² 的尺寸为 14 AWG 或以上，230 V (ac) 的尺寸更大。



切勿在打开的汽油或其它易燃液体容器附近使用 Vortex Dual。



本产品设计为仅使用冷媒，不用于任何其它可燃冷媒。INFICON 不建议本产品用于任何其它用途，它们可能导致人身伤害。若不按规定用途使用本产品，其风险由用户承担。

2.0 规格、特性和保修

2.1 Vortex Dual 规格

冷媒	R-12、R-1234yf、R-134a、R-22、R-401A、R-401B、R-401C、R-402A、R-402B、R-404A、R-407A、R-407B、R-407C、R-408A、R-409A、R-410A、R-500、R-502、R-507
电源	115 V (ac)、60 Hz、12 A 或 230 V (ac)、50/60 Hz、10A (随型号不同)
防护装置	高压开关切断，550 PSI、3.8 MPa、38 bar 压缩机电机热保护
压力	低侧设计压力 350 PSI、2.4 MPa、24 bar 高侧设计压力 550 PSI、3.8 MPa、38 bar
温度	工作范围 10 - 40°C (50 - 104°F)
污染等级	2
防护等级	IP20

EPA 认证

(仅限 PN 714-202-G1) 经过认证，适用于 ARI 标准 740-1998 的 III、IV、V 类列出的所有冷媒

2.2 保修服务

INFICON 保证 Vortex Dual 冷媒回收机自购买之日起三年内没有材料或工艺缺陷。INFICON 不保修任何被误用、遭受疏忽或事故的机器、或者已由 INFICON 以外的任何人维修或改动的机器。

压缩机由厂商保修三年。要让保修有效，过滤器（已含）必须始终用于进口端或软管，以防颗粒进入压缩机。不使用所含过滤器将使压缩机保修无效。

INFICON 的责任仅限于由其自行决定维修或更换有缺陷的机器或部件。若出现缺陷，INFICON 必须在保修期到期后三十 (30) 日内收到有效索赔，并已预付运输费。INFICON 将确定机器是否由于有缺陷的材料或工艺而出现故障。

此保修代替其它所有保修，无论明示或暗示，是否具有适销性、特定目的适用性等。所有其他保修均予以明确否认。

INFICON 所负责任不超出支付给 INFICON 用于购买 Vortex Dual 的价格、以及预付的返回运输费。INFICON 不负任何偶然或后续损害。所有此类责任均予排除。

3.0 设置与操作

3.1 准备

操作 Vortex Dual 之前，请查阅本手册的所有内容。



不遵守相关安全注意事项会导致人身伤害或死亡。除非经过恰当的回收过程培训，否则切勿使用 Vortex Dual。

- 1 在进口处安装所含的过滤器。Vortex Dual 带有母型冷媒扩口接头，与公型扩口接头相连。
- 2 将软管连接到过滤器。



切勿使用适配器接口代替过滤器。使用适配器接口会损坏阀门，并使保修无效。

- 3 将软管从排放阀接到回收罐。
根据第 126 页上的图 1 连接系统组件之间的其他软管。
- 4 将 AC 电源线连接到由适当尺寸断路器保护的电路。若一定需要使用延长线，确保符合以下条件：
 - 长度不可过长
 - 带有安全接地线
 - 线尺寸 14 AWG 或更大，适用于 115 V (ac) 或 1.0 mm² 或更大尺寸，适用于 230 V (ac)



溢出的储罐会破裂，爆炸。在标准回收或推拉模式下操作时，储罐可能溢出。使用冷媒称，确保储罐不超过其容量的 80%，按重量计。运输前检查储罐重量。



切勿让 Vortex Dual 过快回收大量液体。

备注： 当回收过程中有大量液体，并过快进入回收机时，这种情况在此领域中有时被称为“液塞”或“段塞”。

液塞能激活高压断流，并延长冷媒回收过程。若 Vortex Dual 过快回收大量液体（或出现液塞），压缩机会传出大声的爆振声。



由于过快回收大量液体造成的缩机损坏不在压缩机保修范围内。

小心监控回收过程。若压缩机开始爆振：

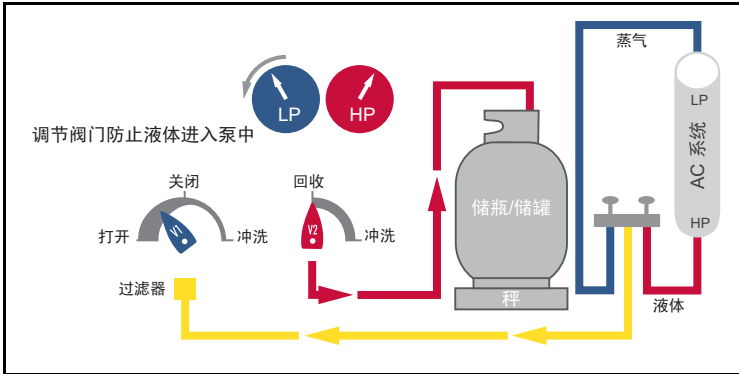
- ◆ 顺时针调节**进口**阀门，或
- ◆ 调节**连通管**真空计阀门，直到爆振停止。

3.2 标准回收操作

- 1 连接所有电线和软管，如 3.1 节所述。

备注： 确保所有连接紧密，电线和软管不干扰回收过程。见图 1。

图 1 标准冷媒回收的设置步骤



- 2 确保连接 Vortex Dual 和回收罐的软管连接到**液体**端口 (LP)。
- 3 **打开**储罐上的 LP 阀门。保持**蒸汽**端口**关闭**。
- 4 将进口阀门 (V1) 旋转到**关闭**。
- 5 将清洗 / 回收阀门 (V2) 设置到**回收**位置。
- 6 将连通管真空计装置上的**液体**阀门缓慢旋转到**打开**。确保没有泄漏。
- 7 打开 Vortex Dual。
- 8 监控进口压力 (LP, 低压真空计), 并**缓慢**旋转 进口阀门 (V1) 到**关闭**。

⚠️ 若 Vortex Dual 尝试回收大量液体，压缩机可能发出爆振声响。为防止压缩机损坏，调节连接管真空计装置上的**液体**阀门，或者 Vortex Dual 进口阀门 (V1)。

- 9 液体回收后，转移剩余蒸汽；旋转进口阀门 (V1) 到**关闭**。确保连接管上的**液体**和**蒸汽**阀门已**打开**。
- 10 继续操作，直到 LP 真空计指示已达到所需真空。
- 11 关闭 Vortex Dual 和进口阀门 (V1)。等待五分钟。

若连接管真空计指示压力已上升超过 **0 PSIG** (0 bar)，则仍然还有冷媒。

- ♦ 打开进口阀门 (V1) 和 Vortex Dual。
- ♦ 运行 Vortex Dual，直到再次达到所需的真空。
- ♦ 等待五分钟。重复此过程，直到所有冷媒 已排出，压力为 **0 PSIG** (0 bar) 或更低。

12 立即清洗 Vortex Dual。有必要进行清洗，以便将 Vortex Dual 内部组件、以及软管内的任何残余冷媒从出口排出到回收罐中。见 3.3 节。

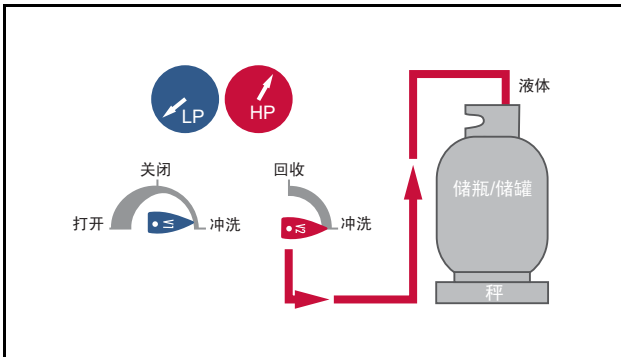
3.3 清洗 Vortex Dual

- 1 Vortex Dual 关闭时，将清洗 / 回收阀门 (V2) 旋转到**清洗**。见图 2。
- 2 打开 Vortex Dual，将进口阀门 (V1) **缓慢**旋转到**清洗**。
- 3 运行 Vortex Dual 并监控 LP 真空计，直到达到 **20 In/Hg** (0.7 bar) 或更高的真空。
- 4 关闭 Vortex Dual 并**立即**关闭回收罐上的阀门。将进口阀门 (V1) 旋转到**关闭**。



软管和排放端口将含有少量 加压冷媒。取下此软管时要小心。

图2 清洗设置程序



3.4 推拉操作

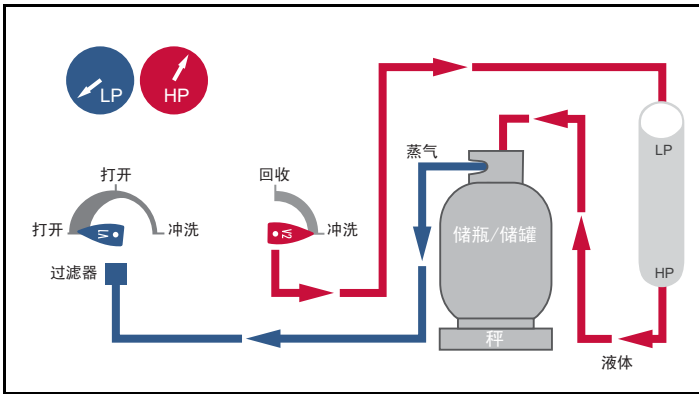
推拉回收方法用于移动大量液体冷媒。在此过程中，回收装置拉动回收缸中的蒸汽，并产生高压力排气将液体从空调系统中推出来，再返回到回收缸中。使用此步骤，可以达到每分钟 15 磅以上的回收率。

备注： 切勿尝试推拉过程，除非该系统含有至少 15 磅 (7 Kg) 能轻松隔离的液体。

要防止溢出，使用冷媒秤确保储罐不超过 80% 的可存储量，按重量计。仔细监控储罐重量，在推拉过程中由于其快速转移，很快即达到 80% 存储量。

连接冷媒软管（见图 3）。观察窗，未包含在内，能帮助确定液体何时转移以及蒸汽余量。

图3 推拉方法设置步骤



3.5 冷却回收罐

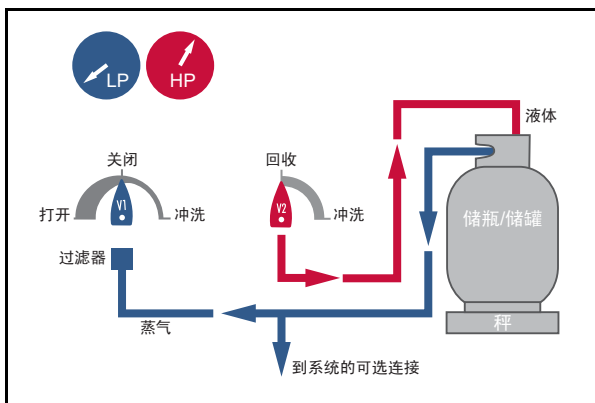
若顶部压力过高，以至于不能完成回收过程，Vortex Dual 可用于预冷却（或过冷）回收罐。若环境压力过高，会导致使用某些具有高蒸汽压力的冷媒时顶部压力高。

备注： 回收罐必须含五磅或更多液体，以便形成压力差。

在开始回收过程中，过冷储罐可能少有或者没有益处。

若回收过程因为顶部高压而停止，关闭 Vortex Dual 和软管阀门，并配置设置，如图 4 所示。

图 4 过冷方法设置程序



- 1 将 Vortex Dual 上的 V2 旋转到回收，打开储缸上的液体和蒸汽阀门。
- 2 打开 Vortex Dual。
- 3 将 Vortex Dual 上的 V1 旋转至打开。
- 4 在储缸上，缓慢关闭液体阀门，使 LP 和 HP 真空计之间的最小压力差为 100 PSIG (0.7 MPa, 7 bar)，从而调节液体流速。

备注： 为了防止在执行过程中出现 HP 切断切换，切勿让 HP 真空计超出 550 PSIG (3.8 MPa, 38 bar)。

- 5 回收罐变冷后，关闭 Vortex Dual 并重新配置标准回收设置。按需重复。

3.6 特殊操作注意事项

标准操作期间，当顶部压力下降低于 425 PSI (2.9 MPa, 29 bar) 左右，高压力开关将重置，Vortex Dual 将自动重新启动。

4.0 维护

Vortex Dual 仅需执行极少量的重要维护，即可提供长久的可靠服务。每次使用后，用潮湿抹布清洁 Vortex Dual，去除灰尘和油渍。



切勿使用汽油或其它危险溶剂来清洗 Vortex Dual；这样做会损坏塑料外壳。可以使用标准家用清洁剂或异丙醇，但不要让液体透过外壳。

确保进口和排放端口在运输和存储期间得到保护；保持内径和外部螺纹清洁干净。

备注： 为达到最佳效果，保持过滤器与内部端口的连接状态，并定期更换过滤器。

5.0 故障排除

问题	原因	措施
Vortex Dual 不能打开；压缩机不启动	1. 电源线未连接 2. 插座无电压 3. 电路断路器开路 4. 排放压力过高；HP 开关已打开 5. 电机电子故障	1. 连接电线 2. 确认作业现场的电压 3. 确定断路器激活原因，修正并重置 4. 降低压力；将 V2 旋转到 清洗 ，然后再回到 回收 5. 需要工厂维修
压缩机启动，但在数分钟内颤抖；HP 真空计上的压力指示高	1. 回收罐阀门未打开 2. 排放软管堵塞 3. 系统 / 储罐中有空气	1. 打开储罐阀门 2. 检查并清理堵塞 3. 排空系统 / 储罐中的空气
压缩机间歇性停止	1. 储罐中的冷媒蒸汽压力接近 HP 启动点 2. 压缩机中的热过载开关激活	1. 降低储罐温度 2. 减少正在泵送的液体量；继续之前让机器冷却

问题	原因	措施
Vortex Dual 过热	顶部压力过大，原因如下： 1. 环境温度高 2. 受限的 排放软管 3. 回收储罐中有空气	1. 降低储罐温度 2. 检查并清理限制 3. 泄放储罐中的空气
回收过程过慢	1. 顶部压力 过高 2. 系统冷媒冻结 3. 压缩机密封件磨损	1. 降低储罐温度，或改变储罐 2. 中断过程，让冰融化 3. 用维修工具包重建压缩机 — 联系批发商获得协助。

6.0 维修

Vortex Dual 使用国际安全机构认可的电气组件，或者专为此应用设计的组件。



切勿更改任何这些组件，那样做可能影响安全。所有维修工作必须在 INFICON 批准的工厂进行，以维持安全性评级和保修。

若有缺陷，切勿直接将 Vortex Dual 返回到工厂。关于技术援助或维修信息，请联系 INFICON 或您的批发商。

7.0 更换零件和附件

以下零件和附件可通过经销商购买获得。
请联系 INFICON 或当地经销商以了解供应情况。

电源线 (115 V).....	068-0684
电源线 (230 V).....	068-0685
低压表	722-406-P1
高压表	722-407-P1
背带	722-408-P1
过滤干燥器 (1/4 英寸公型至公型)	722-409-P1

8.0 EPA 要求（仅 PN 714-202-G1）

《清洁空气法案》（40 CFR 第 82 部分）第 608 条下，美国环境保护局 (EPA) 已建立覆盖冷媒回收流程各方面的法规。

法规确立了维修实践，这些实践可在维修和处置空调和冷媒设备时最大程度地回收消耗臭氧的化合物。

回收设备和技术人员的认证要求也已确立。INFICON Vortex Dual 已经过 EPA 认证，可用于独立实验室。

EPA 还制定了暖通空调及制冷设备维修排空要求，以确保最大程度地减少排放到大气中的 CFC 或 HCFC。

- ◆ 技术人员维修小型家电，如家用冰箱、窗式空调机和水冷却器时，当家电中的压缩机未工作时，必须回收 80% 的冷媒。
- ◆ 当家电中的压缩机工作时，维修小型家电的技术人员必须回收 90% 的冷媒。

备注： 用回收机将小型家电排空到 4 英寸水银柱真空时，也可以达到这些要求。

其它要求见表 7-1。

表 7-1 EPA 要求

家电类型	所需的真空度，以水银柱英寸数表示
HCFC-22 家电通常含有 200 磅以内的冷媒	0
HCFC-22 家电通常含有 200 磅或以上冷媒	10
其它高压家电通常含有 200 磅以内的冷媒	10
其它高压家电通常含有 200 磅或以上的冷媒	15
甚高压家电 (CFC-13, -503)	0
低压家电 (CFC-11, HCFC-123)	25*

*mm Hg 绝对值

EPA 要求，维修人员向相关 EPA 地区办事处证明，获得的回收设备符合《清洁空气法案》确立的适用法律。可从 EPA 地区办事处获得表格。

关于 EPA 要求的问题，请联系臭氧保护热线免费电话 +1.800.296.1996。



Bonner Strasse 498
D-50968 Cologne, Germany

Phone: +49 221 56788-660
Fax: +49 221 56788-9660
E-Mail: servicetools.europe@inficon.com
www.inficonservicetools.com

Two Technology Place
East Syracuse, NY 13057-9714 USA

Phone: +1.800.344.3304
Fax: +315.437.3803
E-Mail: service.tools@inficon.com
www.inficonservicetools.com

074-612-P16B