

weatherables

Premium Vinyl Railing

Installation Guide

THE BEST CHOICE FOR STRONG & DURABLE RAILING SYSTEMS

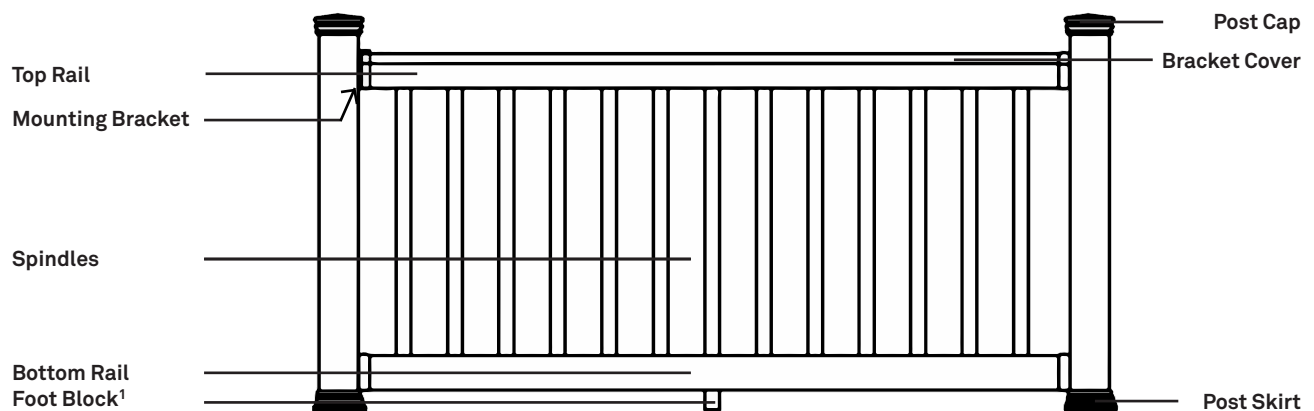
Our exclusive manufacturing process ensures our vinyl railing will provide superior strength plus it is virtually maintenance free. This guide will help make your installation easy. For questions, please call 1-888-743-3673 and welcome to Weatherables.

Please note

It is the responsibility of the installer to conform to local building codes and safety requirements. It is also the installer's responsibility to obtain all necessary building permits. All of our premium straight vinyl railing sections 8' wide and shorter meet all IRC and IBC codes. Our 10' wide premium railing with a T-rail top is IRC compliant and can be IBC compliant if you replace the #10x1.5" screws provided with #10x2" stainless steel self-tapping screws (not provided).

These instructions are guidelines and do not cover every installation scenario. Separate instructions are included for railing brackets and the railing foot block. If purchasing post mounts, specific instructions will be included within the packaging. Review all instructions before starting railing installation. The installer may need to modify the exact installation method to meet unique site requirements.

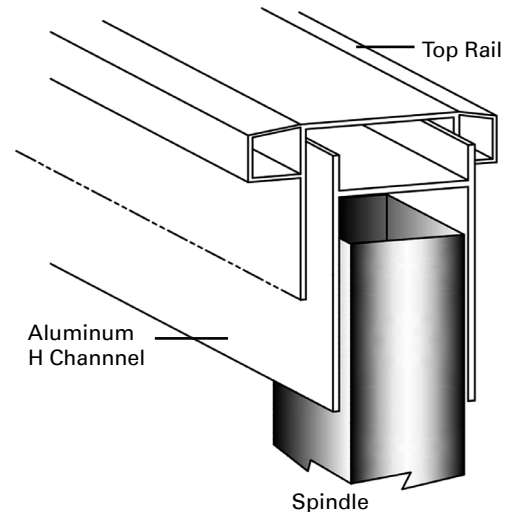
THE MANUFACTURER WILL NOT BE HELD RESPONSIBLE FOR INCORRECT OR UNSAFE INSTALLATION



¹A foot block is only needed in railing kits with vinyl spindles. Kits with aluminum spindles contain an aluminum insert in the bottom rail.

Installation Tips:

1. A non-ferrous metal blade can be used to cut the vinyl and aluminum at the same time. Cut slowly and use all safety precautions
2. Before installing the rails, ensure the aluminum is seated into the vinyl rail properly. The large opening of the H-channel should face towards the spindles.
3. If using vinyl sleeves, it is easier to mark the mounting bracket position prior to installing them over wood posts or post mounts.
4. The bracket kits include two different size screws. The 1-1/2" screws are used to install the black mounting bracket to the post. The 1" screws are used to attach the rail to the black mounting bracket.
5. If you are using an optional post mount, use the 1" screws that come with the post mounting hardware to install the black mounting brackets.
6. If cutting material for installation double check all measurements before cutting.
7. The screws provided are self-tapping but it is helpful to pre-drill holes.
8. After pre-drilling holes, be sure to clean any excess vinyl pieces from the post before installing the bracket.
9. To keep the brackets centered on the post, do not fully tighten screws on the post until all four screws are partially inserted into the bracket.
10. Do not overtighten the screws. When using a vinyl sleeve or vinyl wrap, there will be a small gap between the wood and vinyl. If you over tighten the screws, the vinyl will not be a flat surface and the bracket covers may not fit properly.
11. When installing the bracket covers, use the label on the interior of the bracket cover to identify the top and bottom pieces. Install the top piece of the bracket cover first.



Install the provided foot block on the bottom rail using the instructions included with your railing kit. 10' wide railing sections require two foot blocks. Kits with aluminum spindles do not require a foot block because they contain an aluminum insert in the bottom rail.

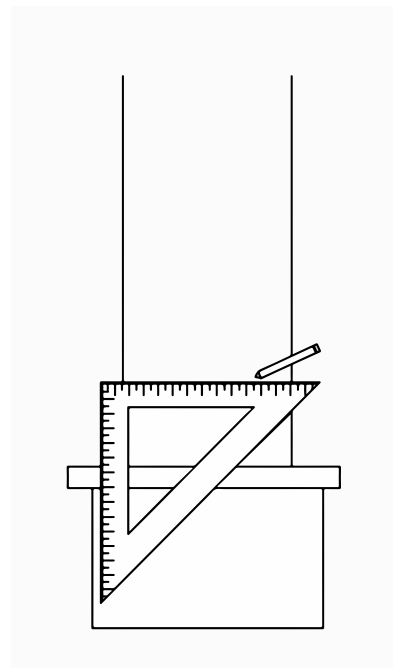
Section 1

These instructions are designed to be supplemental; review all instructions provided with the brackets before starting installation.

1. Plumb posts and install optional post skirt before installing railing sections.
2. Determine the distance between the deck and the bottom rail based on local code (generally 2").
3. Mark your post where the black mounting bracket will be installed.
4. When marking your posts, subtract 1/4" to allow for the thickness of the mounting bracket and mark the post with a pencil.

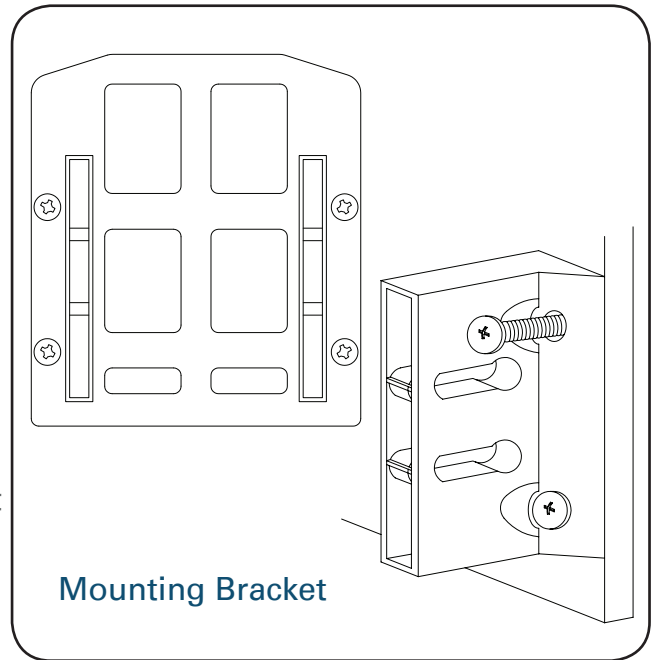
This step will be repeated on the opposite post.

5. Measure the distance between posts.
6. Subtract 1/2" from the total length of the rails to allow for the mounting brackets.
7. If cutting down the rails, subtract an equal amount from each end. This will keep the spindles centered.
8. Measure and mark the rails, ensuring the cut is not in the middle of a spindle hole.
9. Mark the bottom and top rail to the same length, ensuring the spindle holes line up before cutting the rail.
10. Cut the vinyl rail and the aluminum insert to the same length.



Section 2

1. Assemble the railing sections and slide the black mounting brackets over the vinyl rail ends.
2. Position the entire section between the posts, aligning the bottom bracket with the line previously drawn.
3. Center the mounting bracket on the post and install the bottom of the mounting bracket on the drawn line.
4. Fasten the black mounting bracket to the post using the provided 1-1/2" screws, two on each side. Drill the screws into place **straight on** (not at an angle) to ensure the bracket covers fit properly. This ensures the screw will shift into the divets as they are tightened.
5. Fasten the vinyl rail to the mounting brackets using the provided 1" screws, two on each side of the rail. This will secure the bottom rail.



Note:

When installing the black mounting brackets, ensure the screws fit into the screw head cutouts.

This step will be repeated on the top rail.

Section 3

1. Gently slide and snap the bracket covers over the rails.
2. If needed, alter the post height and install the post caps.

Find this on YouTube!

A helpful and more detailed video can be found on YouTube, search "ThreepieceA" or scan the QR code to the right.

