



Electric Tankless S Series

Point of Use & Whole House Applications

Features:

- New Digital display with Celsius & Fahrenheit options.
- Heat Exchangers are 100% stainless steel to avoid corrosion
- Easy grip fittings on inlet and outlet for ease of installation
- Advanced Power Modulation through Micro-Processor
- Stainless Steel Enclosure
- Water Proof Control Pad
- Great for Marine, and or Beach Locations
- Complies with all USA & Canadian Safety Standards
- Complies with NSF Lead Free Provisions for Drinking Water

Benefits:

- Save up to 60% on Hot water heating cost
- Saves water
- Save Valuable Space
- No tank needed
- Small enough to be installed anywhere hot water is needed
- NO VENTING needed
- Endless Supply of Hot Water!



TANK vs. TANKLESS COMPARISON

Descriptions	40 Gal Tank	Tankless Heater
12 Mos. Operation Cost	\$556.00	\$309.00
Standby Loss	20%	No Loss
Heat recovery	Yes	No
Kilowatt Usage/ Yr.	4857 Kw/Hrs.	2618 Kw/Hrs.
Hot Water Supply	70% of Capacity	Endless Supply
Energy Efficiency	0.85 EF	0.99 EF
Estimated Life Span	10 Years	20 Years



APPLICATIONS:

Boats, Hospitals, Condos, Cabins, Apartments, Studios, Clinics, Schools, Pool House, and anywhere hot water is needed!

WARRANTY

- 5-Year Heat Exchangers
- 3-Year Internal Components
- 1-Year Heating Elements

SPECIFICATIONS

Model	KW	Amps	Volts	AWG#	Height	Width	Depth	Weight
S-4	3.5	30	120	10-2	11.5"	7.7"	3.5"	6.5 lbs.
S-7	6.7	30	220	10-2	11.5"	7.7"	3.5"	6.5 lbs.
S-9	8.9	41	220	6-2	11.5"	7.7"	3.5"	8 lbs.
S-12	12.4	56	220	6-2	11.5"	7.7"	3.5"	8 lbs.
S-14	13	59	220	6-2	11.5"	7.7"	3.5"	8 lbs.
S-16	16	66	240	6-2	11.5"	7.7"	3.5"	8 lbs.

S Series Specifications

S-4 / S-7

Dimensions: 11.5" x 7.7" x 3.5" Inches

Weight: 6.5 lbs.

Cover: ASTM Stainless Steel

Body/Heat Exchanger: ASTM 304 Stainless Steel

Element: 1 Brass Flange/Copper

Pipe fittings: 1/2" Compression

Activation flow rate: .5 gallon

Operation Pressure: Min 25 PSI, Max 150

Warranty 1-Year Heating elements, 3-Year components, 5- Year heat exchanger

S-9 / S-12 / S-14 / S-16

Dimensions: 11.5" x 7.7" x 3.5" Inches

Weight: 8 lbs.

Cover: ASTM Stainless Steel

Body/Heat Exchanger: ASTM 304 Stainless Steel

Element: 2 Brass Flange/Copper

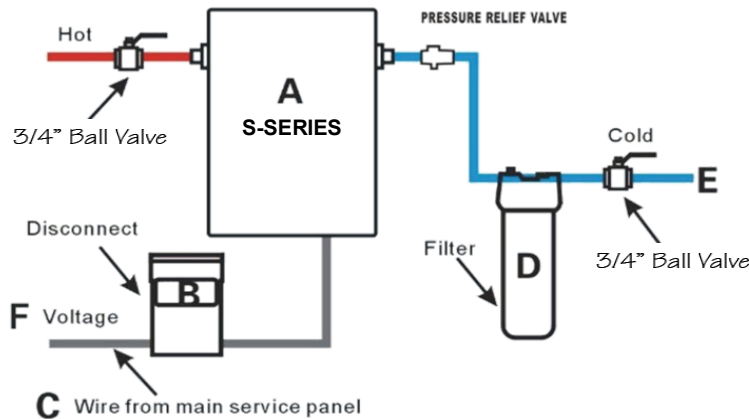
Pipe fittings: 1/2" Compression

Activation flow rate: .5 gallon

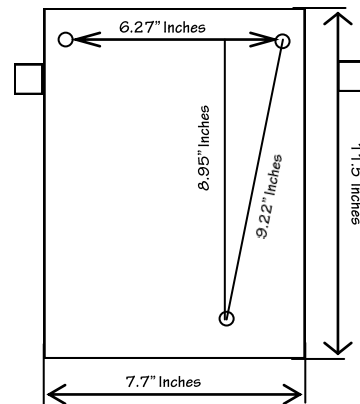
Operation Pressure: Min 25 PSI, Max 150

Warranty 1-Year Heating elements, 3-Year components, 5-Year on heat exchanger

INSTALLATION SCHEMATIC



WALL MOUNT MEASUREMENTS



IMPORTANT: This product must be installed by a qualified m contractor in accordance with all State, and Local building codes.

warranty: 1-Year Heating Elements / 3- Year Internal Components / 5- Year on Heat Exchanger

MODEL	kW RATING	VOLTS	AMPS	CURRENT PHASE	TEMPERATURE RISE CHART IN °F / BASED ON GALLONS PER MINUTE							AWG#	
					1.0 GPM	1.5 GPM	2.0 GPM	2.5 GPM	3.0 GPM	3.5 GPM	4.0 GPM		
S-4	3.5	120V	30	SINGLE	24°F								10-2
S-7	6.7	240V	30	SINGLE	48°F	32°F	24°F						10-2
S-9	8.9	220V	41	SINGLE	61°F	41°F	32°F	24°F	20°F				8-2
S-12	12.4	220V	56	SINGLE	82°F	54°F	41°F	33°F	27°F	23°F	20°F		6-2
S-14	13	220V	59	SINGLE	95°F	62°F	48°F	38°F	32°F	27°F	24°F		6-2
S-16	16	240V	66	SINGLE	109°F	73°F	54°F	44°F	36°F	31°F	27°F		6-2

SUGGESTED SPECIFICATIONS

(Based on applications given)



Tankless water heater to be used is Based on the following information given,

this tankless water heater max output is _____kW, and draws _____amps , on a _____ VAC voltage circuit,

To heat _____GPM, @ a _____Temperature rise.

Product shall have full stainless steel enclosure. Will be equipped with replaceable standard 1 1/2" inch immersed heating element. Inlet and outlet water connections are 1/2" compression, and ferules and nuts have been provided in order to eliminate the need for soldering. The product is also equipped on both inlet and outlet fittings a wrench grip for easy tightening in small corners. Product is also IXP 4 water proof. The product shall be installed in its upright position, it shall be installed with a shut off valve on inlet side of the heater, and also a pre-sediment filter, or de-scaler.

Any technical assistance please contact Drakken Industries 1-888-818-4328 or visit us on the web www.drakkenusa.com