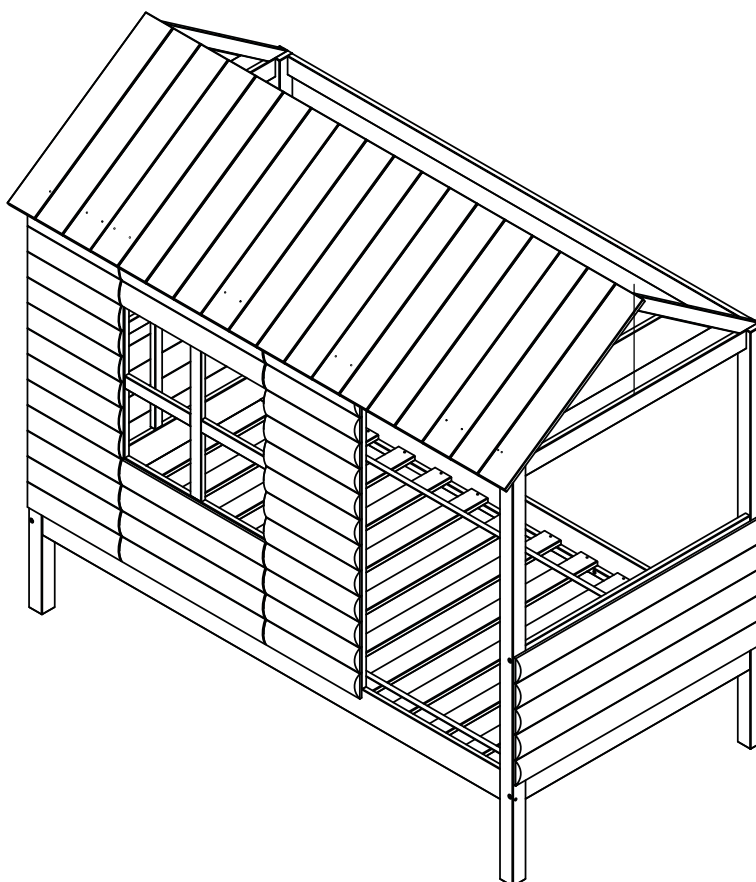


Fort Worth, Texas 76140

ASSEMBLY INSTRUCTIONS

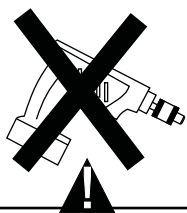
2103 - TWIN LOG CABIN BED



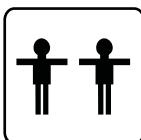
Thank you for purchasing this quality product. Be sure to check all packing material carefully for small parts which may have come loose inside the carton during shipment. Separate, identify and count all parts and hardware.

Compare with the parts list to be sure all parts are present.

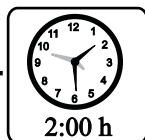
"DO NOT TIGHTEN SCREWS UNTIL COMPLETELY ASSEMBLED"



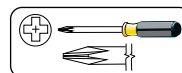
* Use of power tool to assemble this product will invalidate any claim and damage this product making unsafe !!!
* Please assemble on a clean soft surface to avoid damage.



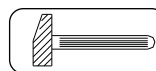
+



Tools Required



(Not included)

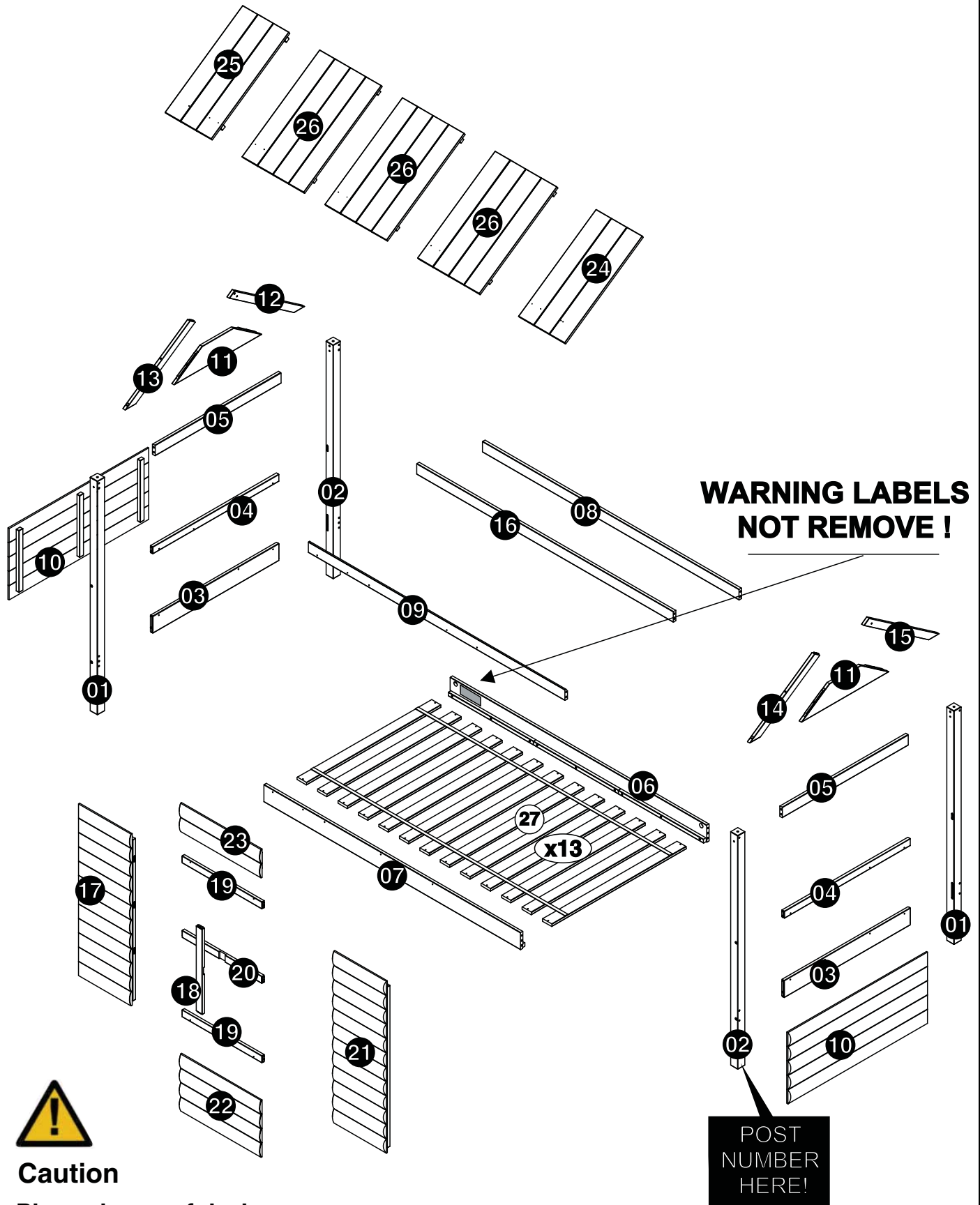


(Not included)

IMPORTANT:

PLEASE READ INSTRUCTION BEFORE STARTING THE ASSEMBLY

Part List- 2103 - TWIN LOG CABIN BED

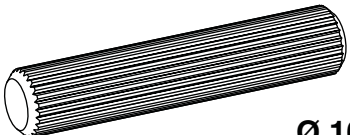

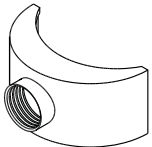

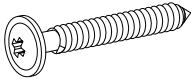
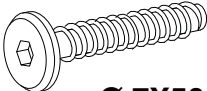
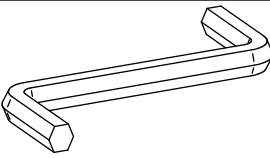


Caution

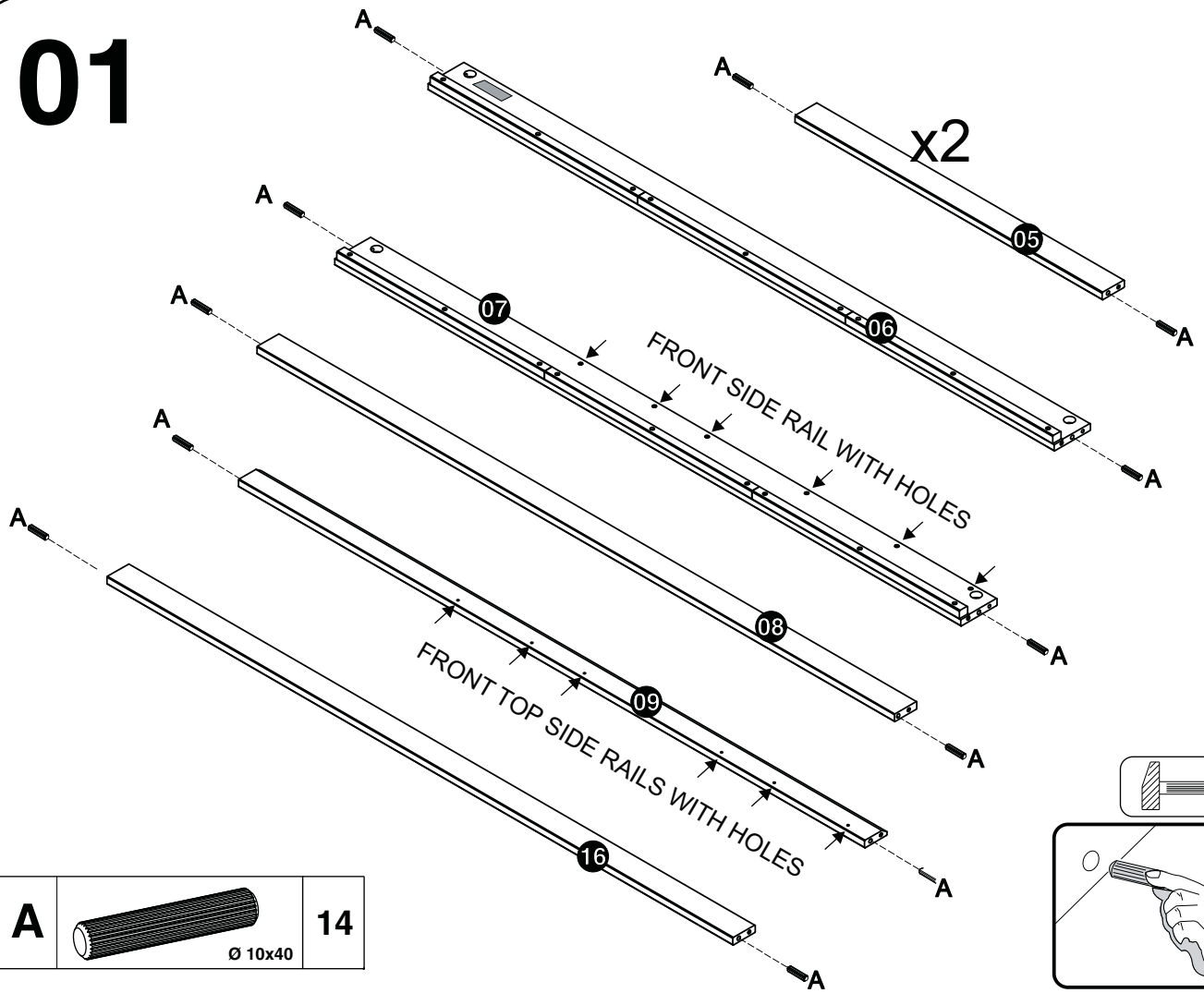
Please be careful when assembling this product due the parts are extremely heavy. Also, please do not allow kids around when assembling this bed to avoid injuries.


POST
NUMBER
HERE!

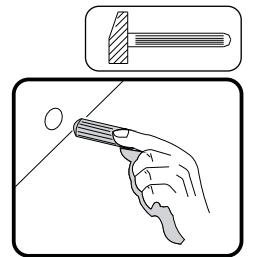
Identifying the Hardware-Identify the hardware using the illustrations below.

A	 Ø 10x40	14
B	 Ø 1/4X90 Cab 17	04
C		04
D	 Ø 7X90 Cab 17	28
E	 Ø 3,5X30	84
F	 Ø 7X50 Cab 13	06
H		02

01



A	 $\varnothing 10 \times 40$	14
---	---	----



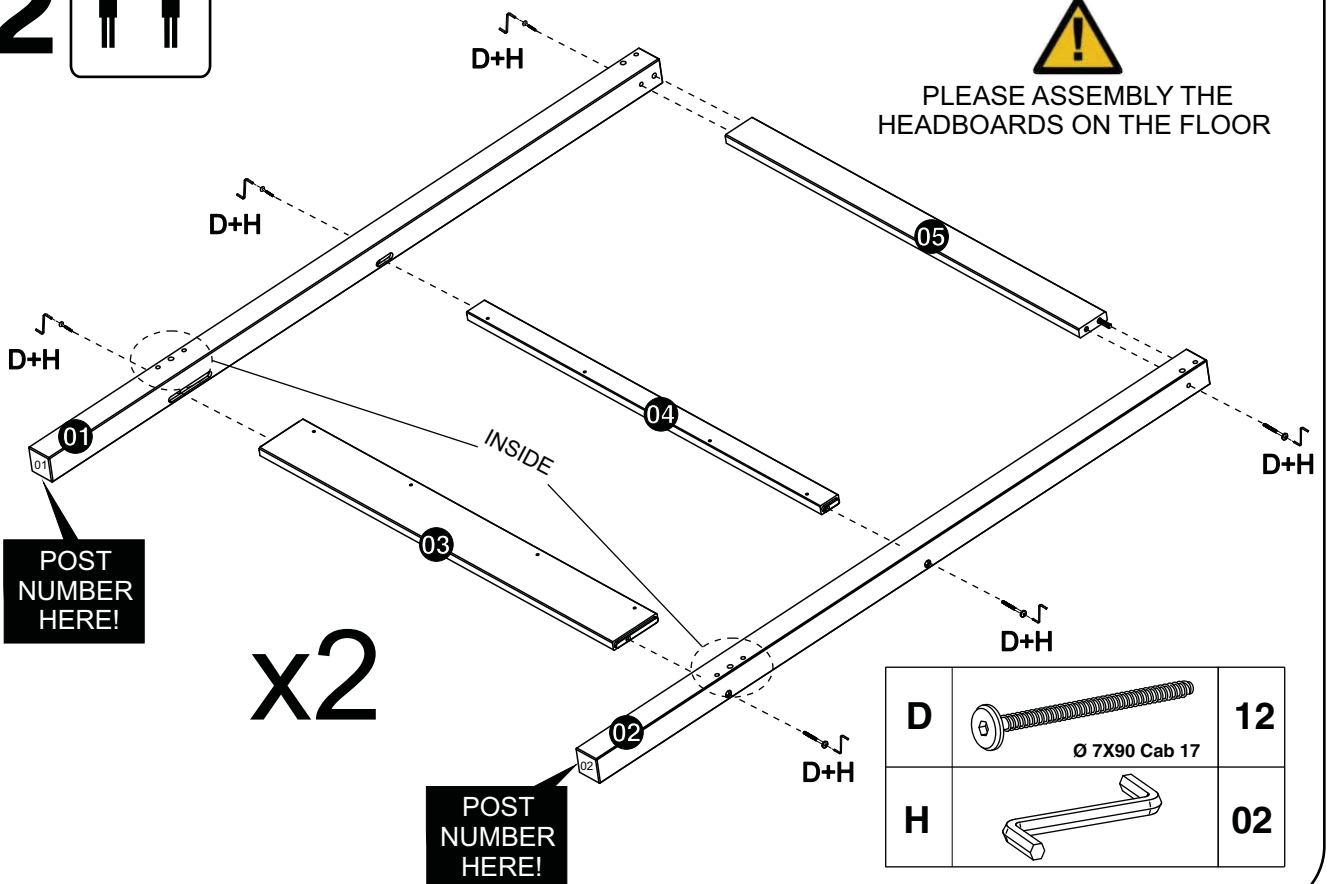
02

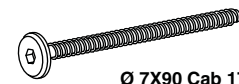



HEADBOARDS



PLEASE ASSEMBLY THE HEADBOARDS ON THE FLOOR



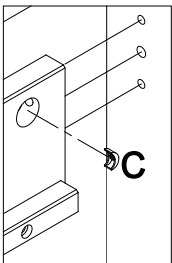
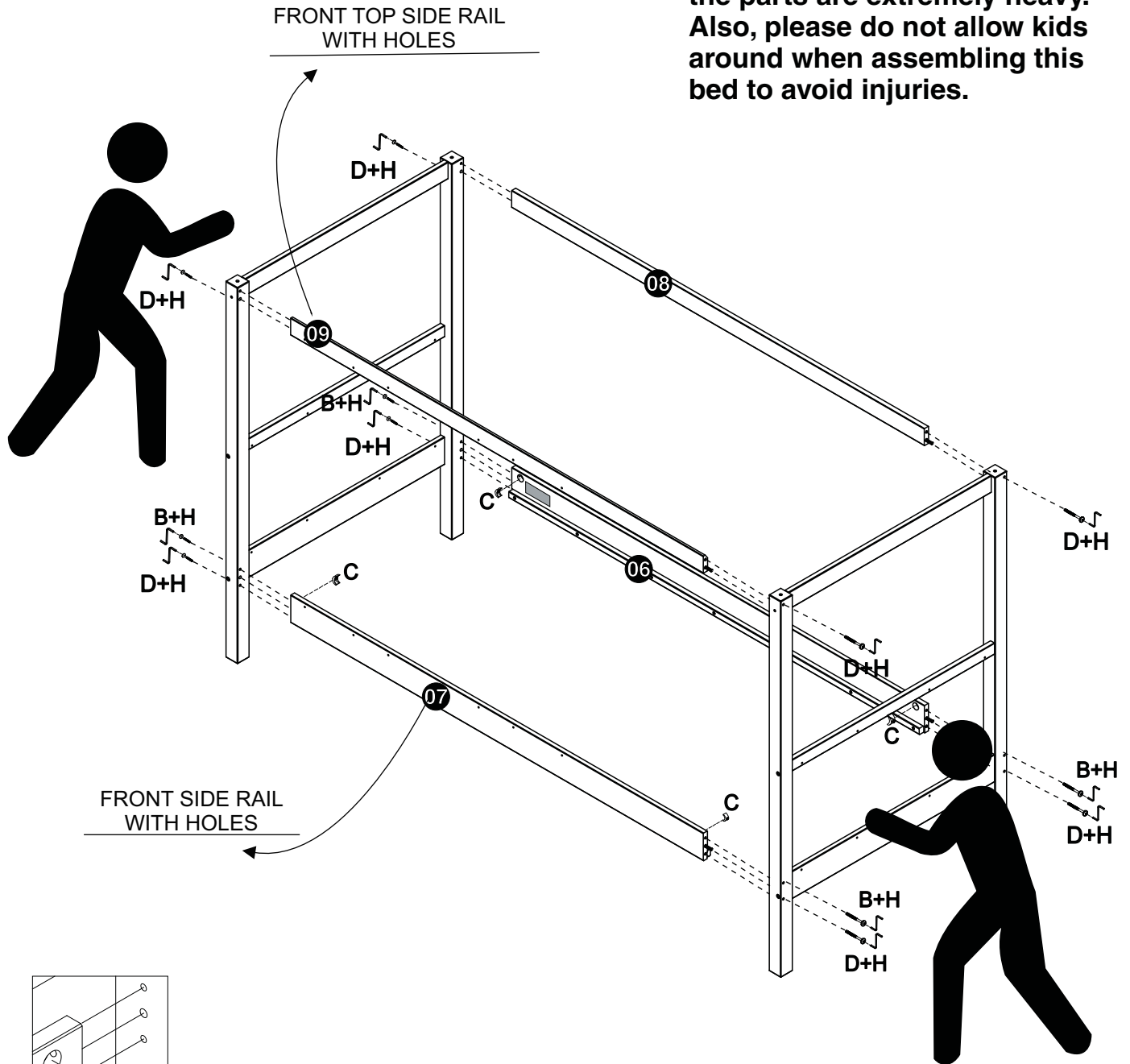
D	 $\varnothing 7 \times 90$ Cab 17	12
H		02





03

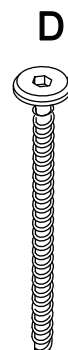
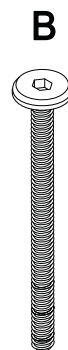


Caution

Please be careful when assembling this product due the parts are extremely heavy. Also, please do not allow kids around when assembling this bed to avoid injuries.



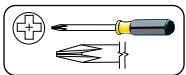
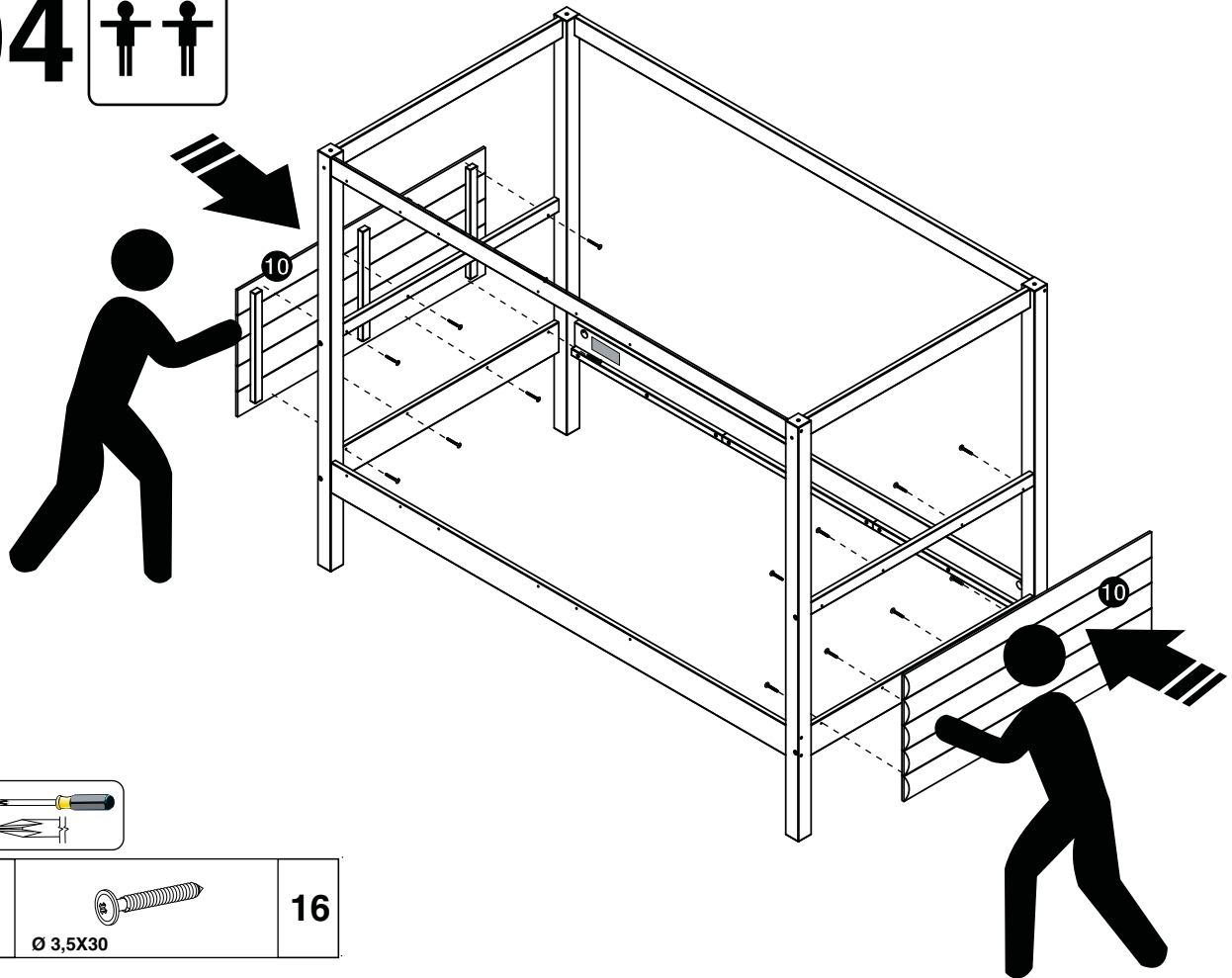
B	 Ø 1/4X90 Cab 17	04	D	 Ø 7X90 Cab 17	08
C		04	H		02




Ø 1/4X90 Cab 17

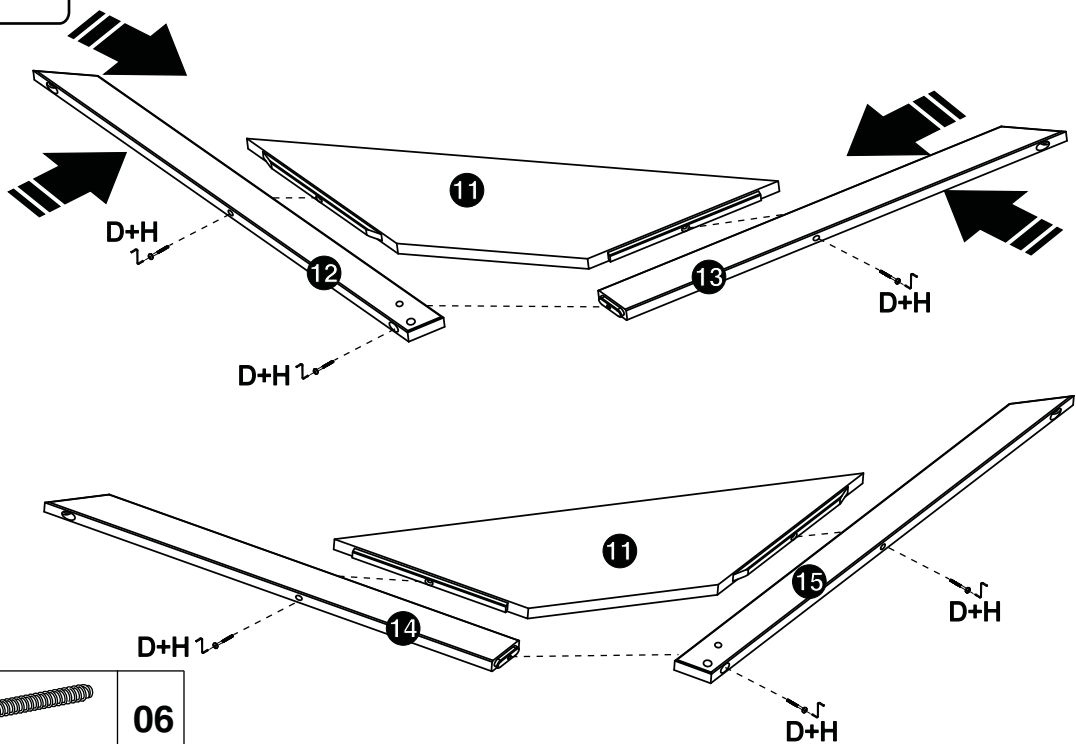
Ø 7X90 Cab 17

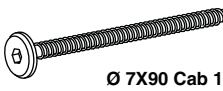
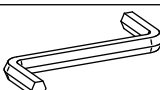
04



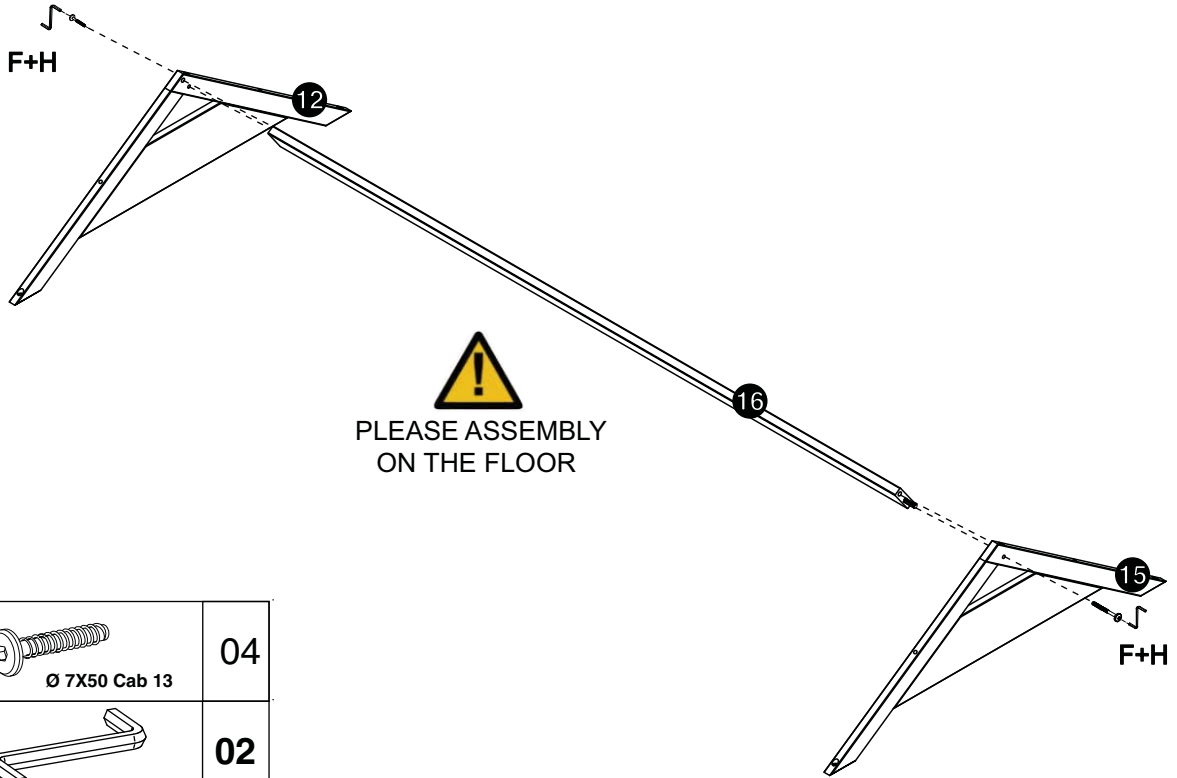
E		16
$\varnothing 3,5 \times 30$		

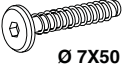
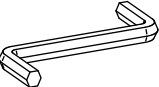
05



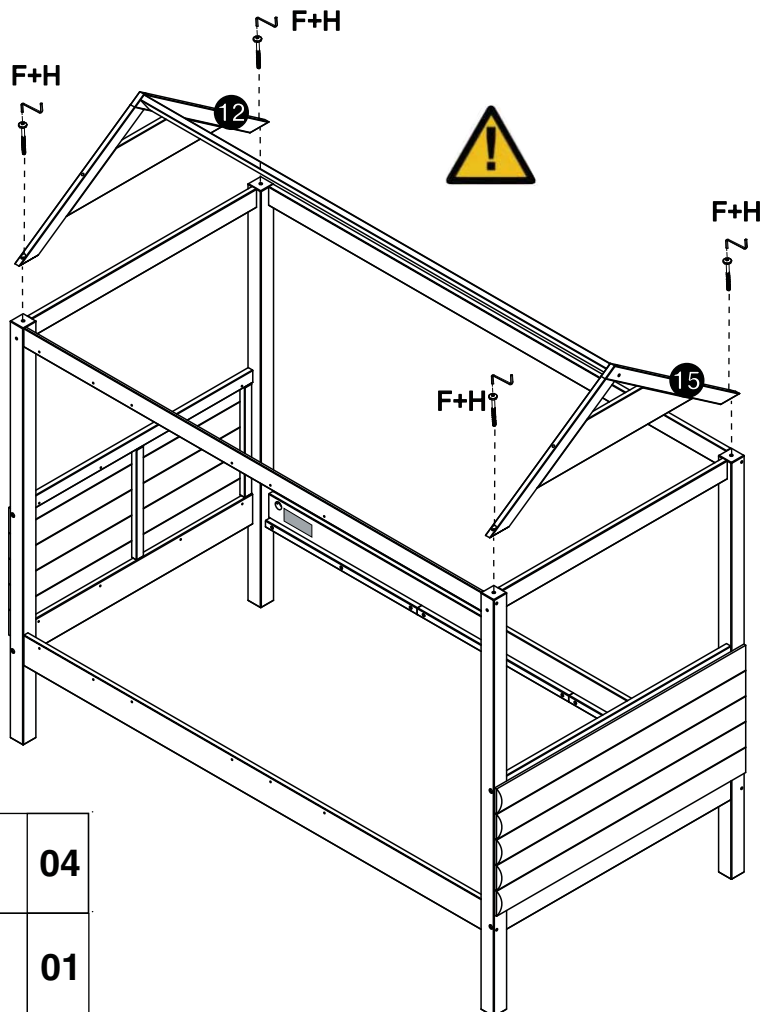
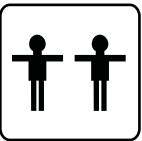
D		06
$\varnothing 7 \times 90$ Cab 17		
H		01

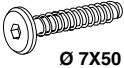

06



F	 Ø 7X50 Cab 13	04
H		02

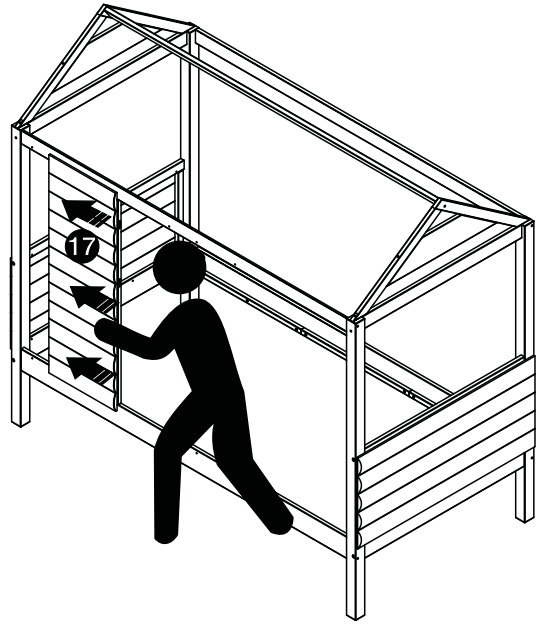
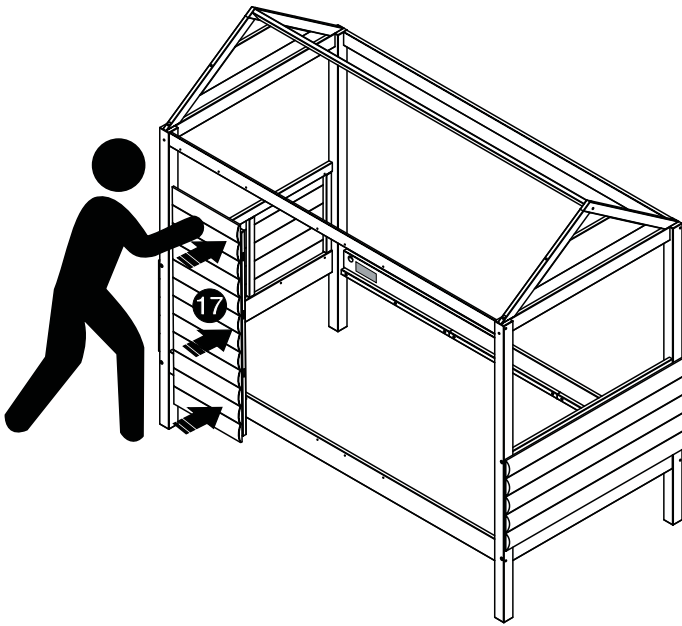
07



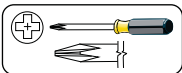
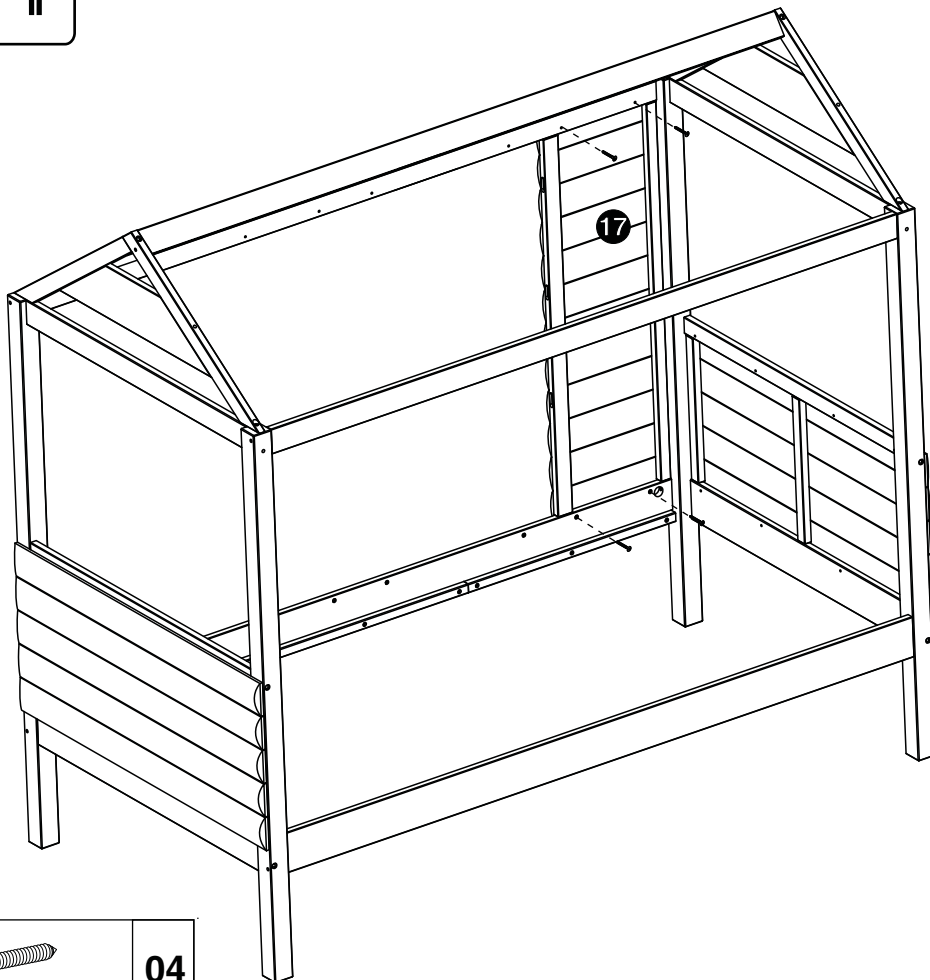
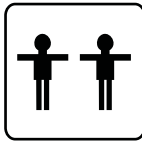
F	 Ø 7X50 Cab 13	04
H		01




08

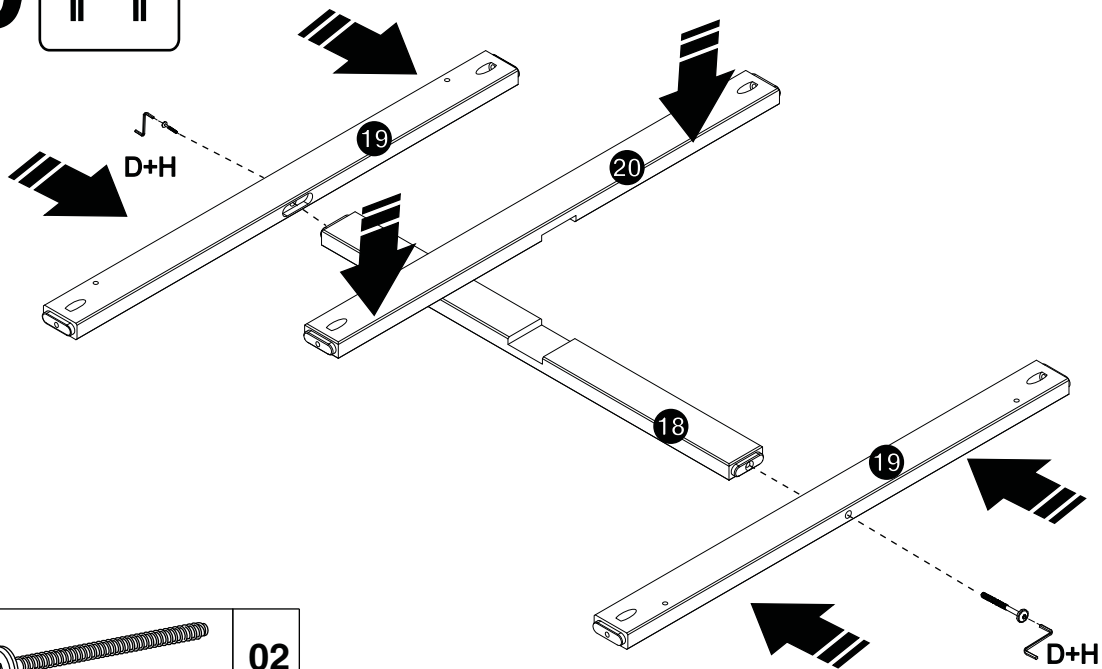


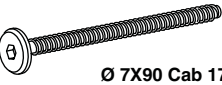

09



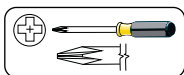
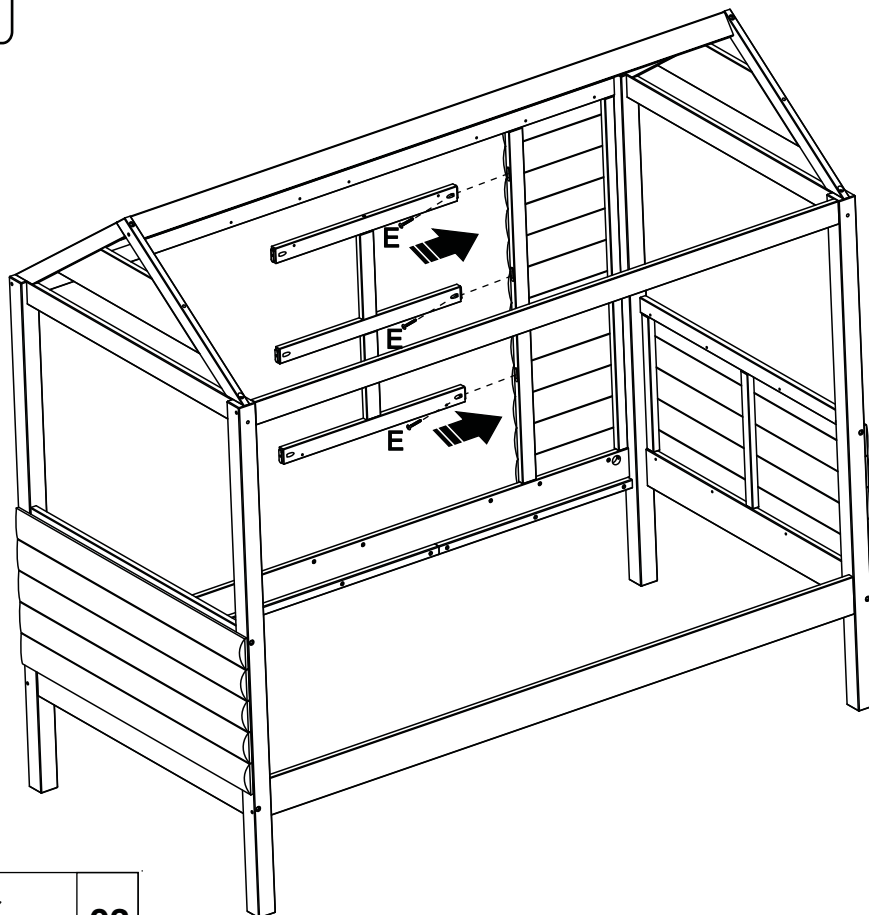
E		04
Ø 3,5X30		


10



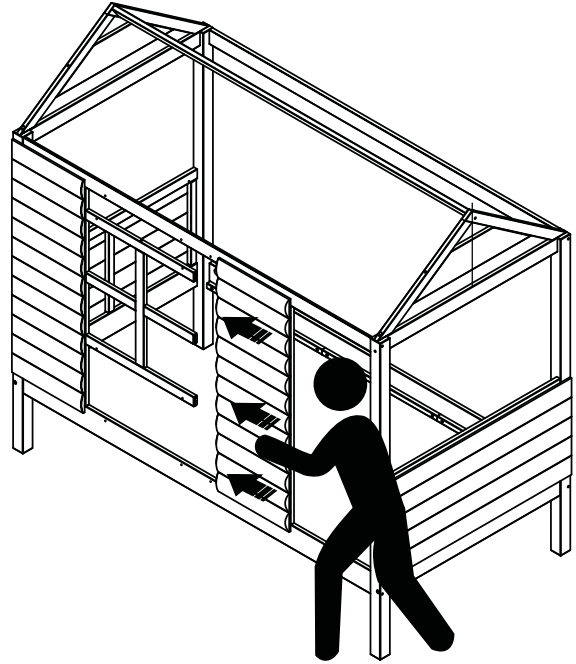
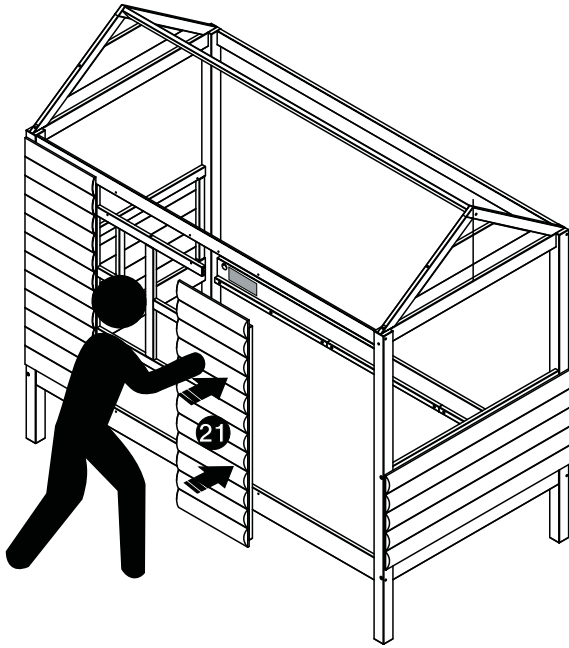
D	 Ø 7X90 Cab 17	02
H		01

11

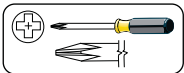
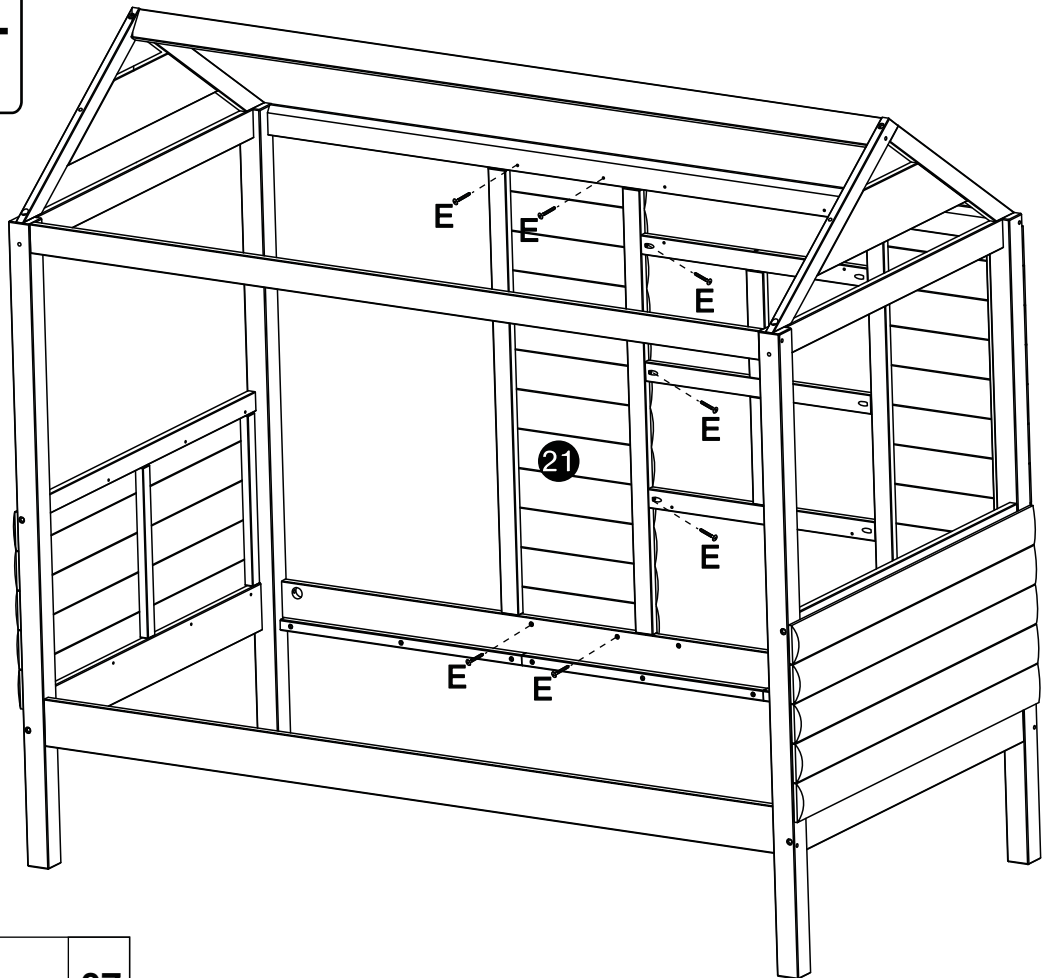



E	 Ø 3,5X30	03
----------	---	-----------

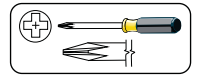
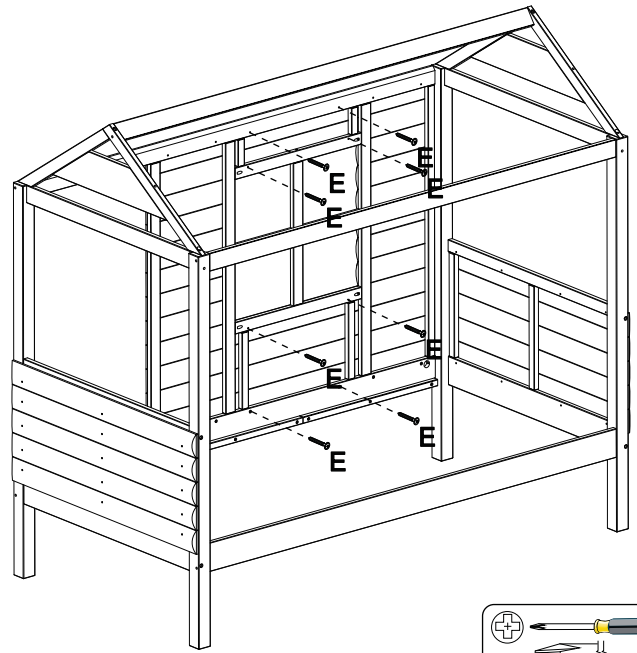
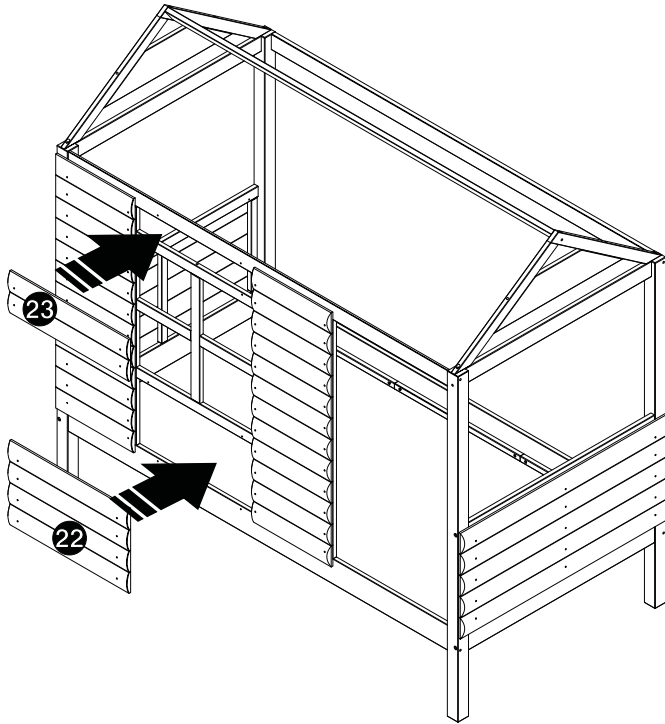
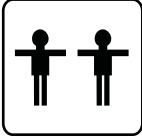
12

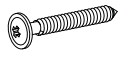


13

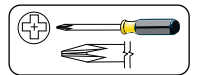
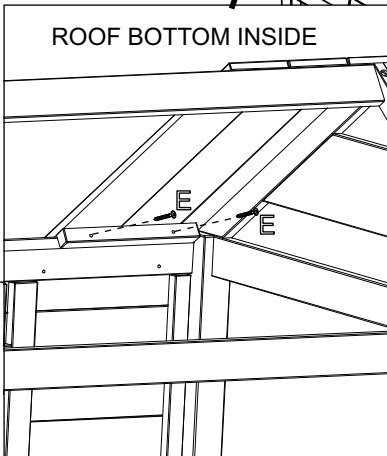
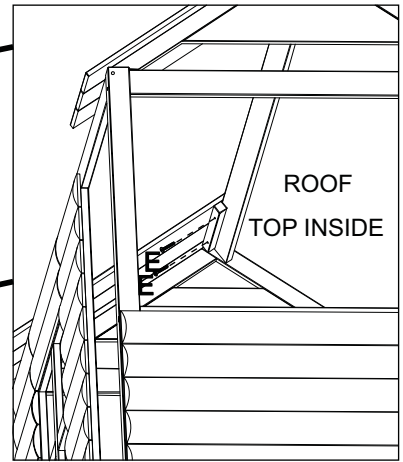
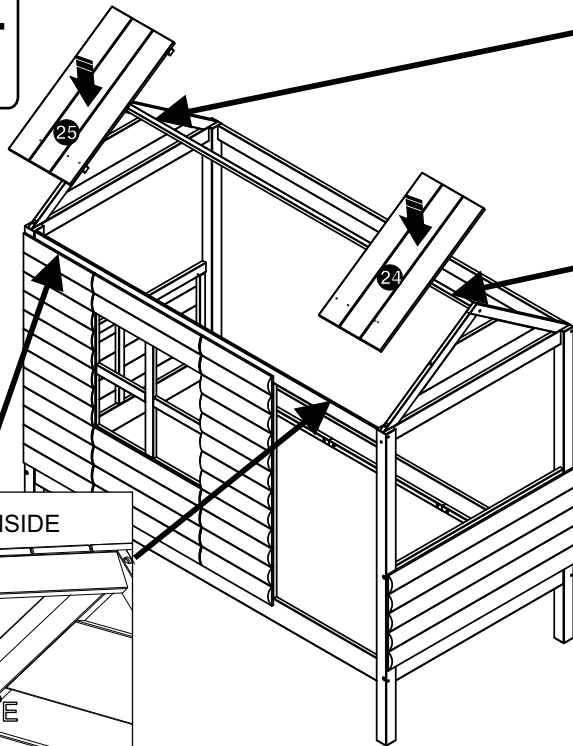
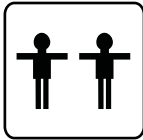



E		07
<small>Ø 3,5X30</small>		



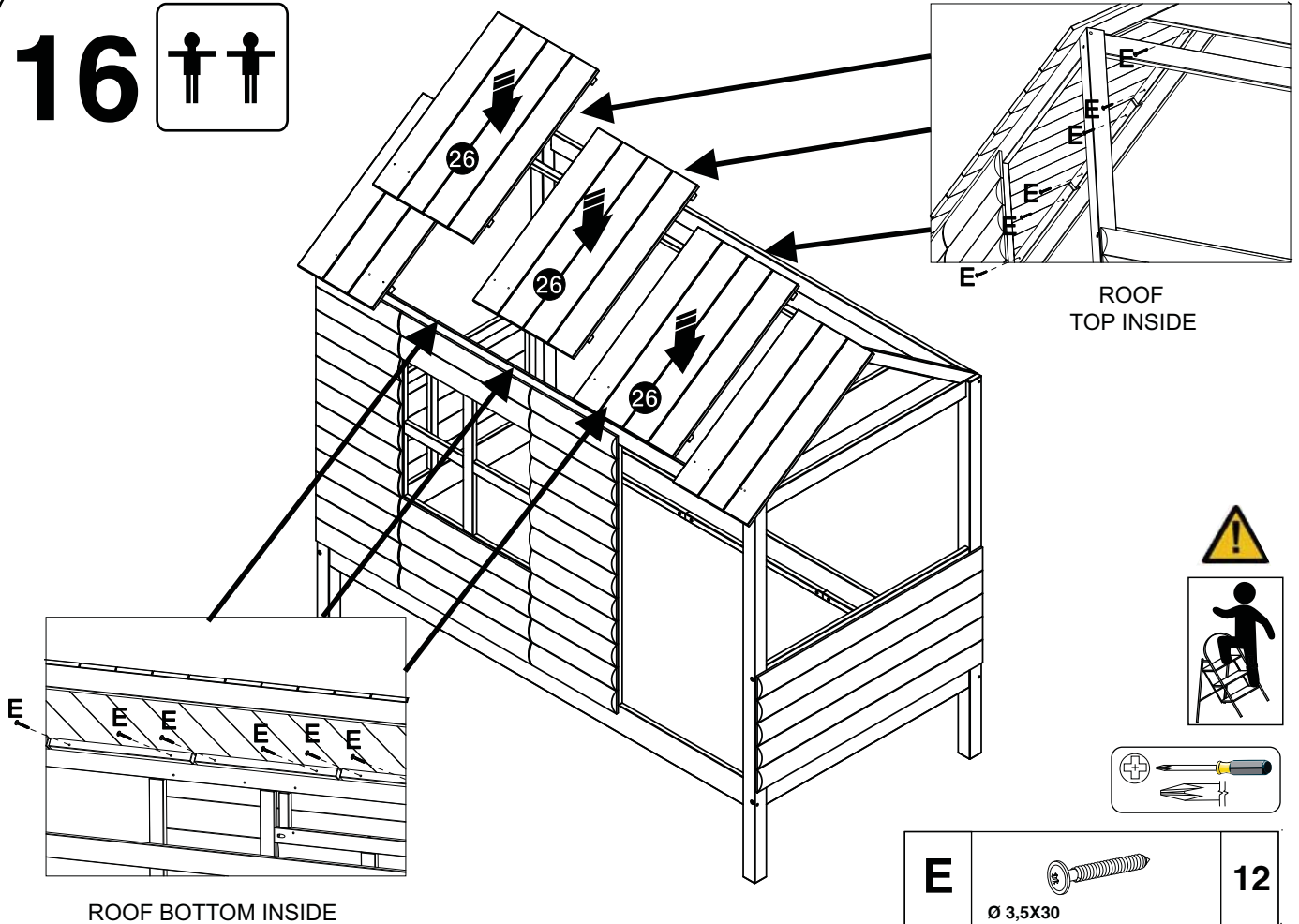
E	 Ø 3,5X30	08
----------	---	-----------


15



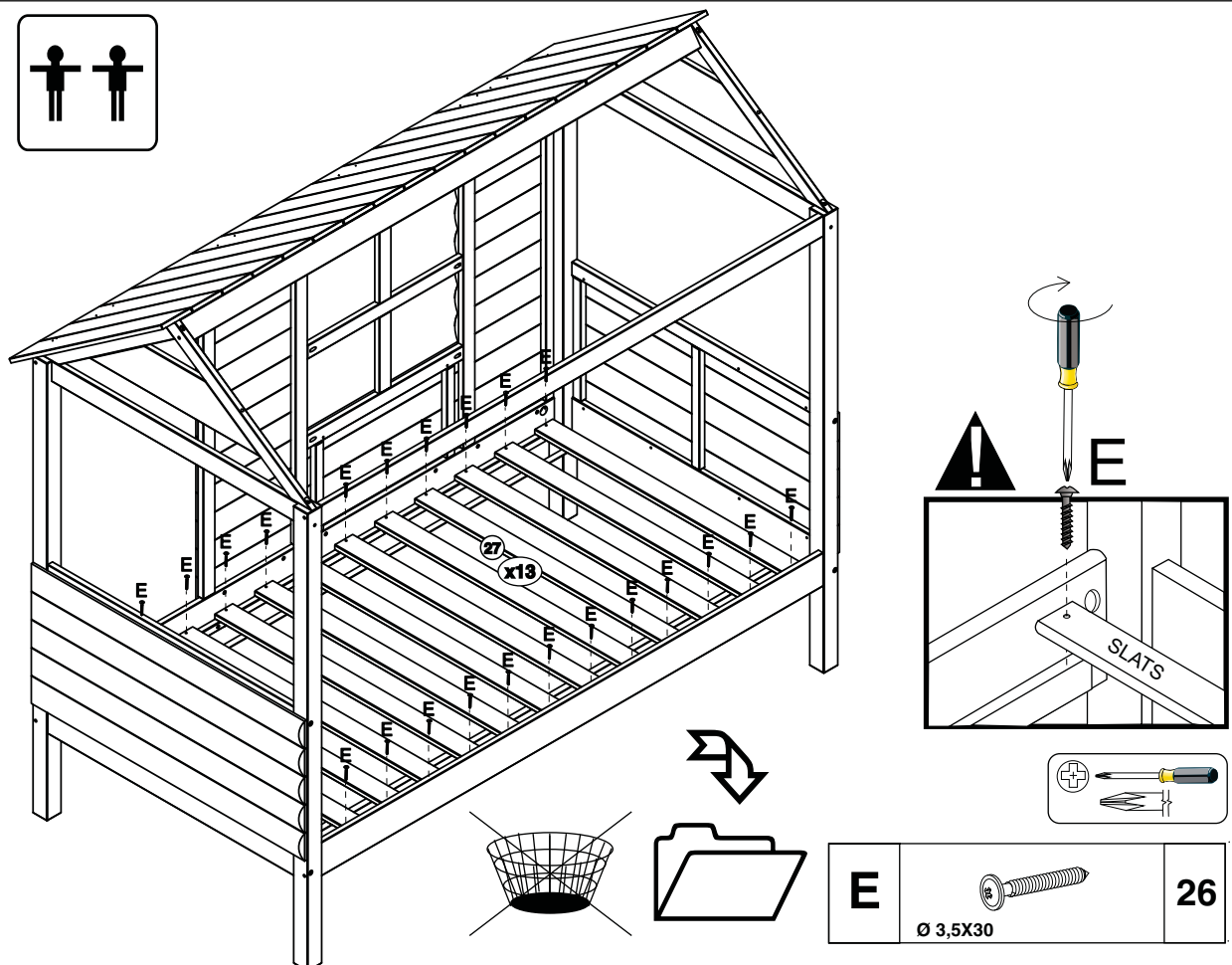
E	 Ø 3,5X30	08
----------	---	-----------

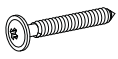
16



E		12
Ø 3,5X30		

17



E		26
Ø 3,5X30		